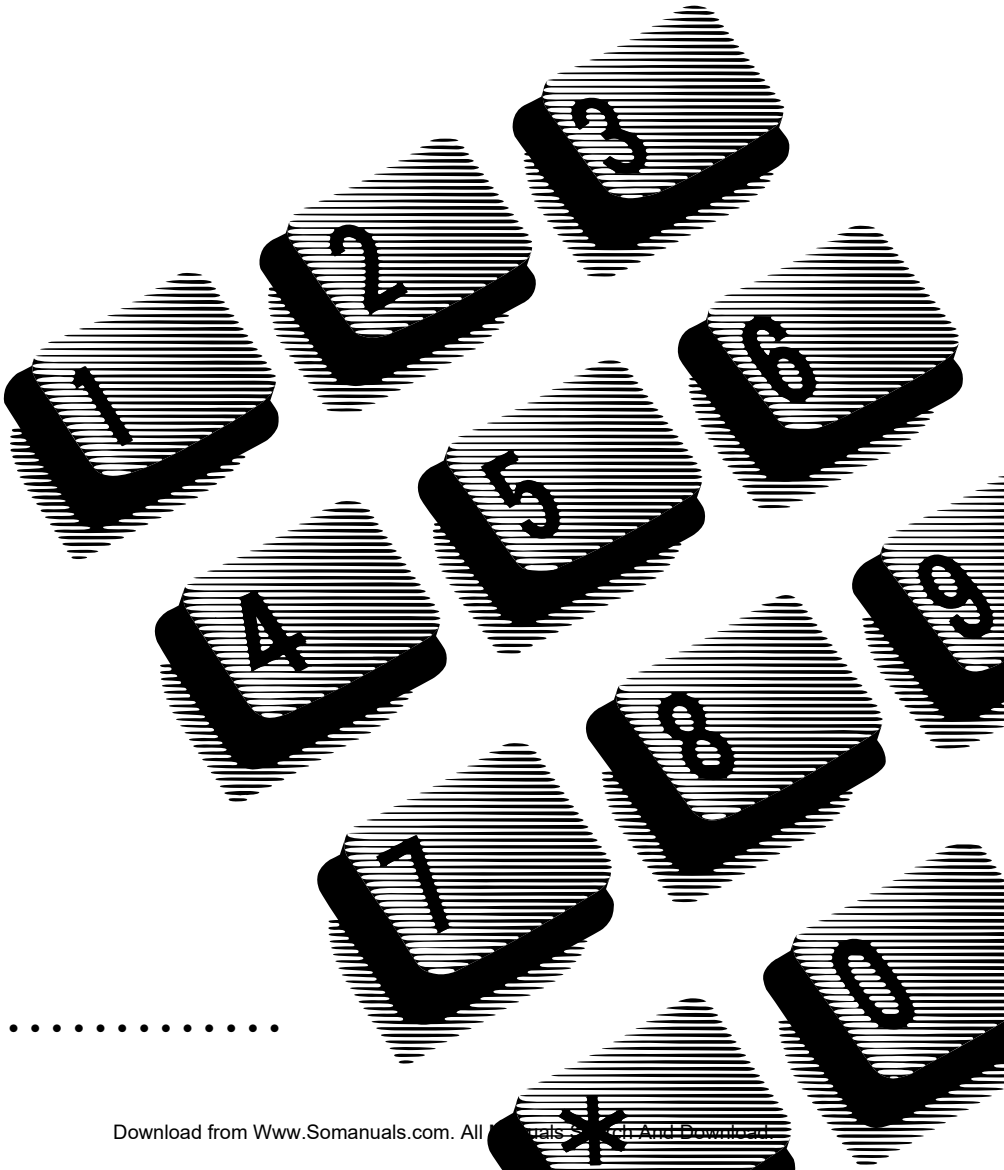




.....

DS30/Station Port Adapter
Installation Guide





DS30/STATION PORT ADAPTER

REGULATORY APPROVAL

Table 1. Regulatory Approvals

TYPE	COUNTRY	SPECIFICATION	PROCEDURE
Radiated Emissions	Canada	ICES-003/CISPR22 Class B	ANSI C63.4
	US	FCC Part 15/CISPR22 Class B	ANSI C63.4
	UK	EN55022	ANSI C63.4
Conducted Emissions	Canada	ICES-003/CISPR22 Class B	ANSI C63.4
	United States	FCC Part 15/CISPR22 Class B	ANSI C63.4
	UK	EN 55022	ANSI C63.4 EN50082-1
Safety	Canada	CSA C22.2 No. 950-95 (CUL)	
	US	UL 1950 edition 3	
	UK	EN 60950	
	International	IEC 950 edition 2	

NOTE

This equipment has been tested and found to comply with the limits for a Class A digital device, pursuant to Part 15 of the FCC Rules. The limits are designed to provide reasonable protection against harmful interference when the equipment is operated in a commercial environment. This equipment generates, uses and can radiate radio frequency energy, and if not installed and used in accordance with the instruction manual, may cause harmful interference to radio communications. Operation of this equipment in a residential area is likely to cause harmful interference in which case the user will be required to correct the interference at his own expense.

WARNING

Use only UL CSA/cUL approved Class 2 Wall Mount
Power Supply with a rated output of 12VAC.

PRODUCT DESCRIPTION

Table 2. Product Description

CONNECTOR INTERFACES	RJ-45 Jacks	Two RJ-45 jacks each accepting up to four TCM Loops
	DS-30 Fiber Connector	One female DS-30 fiber optic connector pair
	Power Connector	One barrel jack for internal power supply to wall mounted 12 VAC power source
SIZE	Approx. 9.75" (248 mm) x 5.06" (129 mm) x 1.22" (36mm)	
WEIGHT	Estimated 20 ounces (567 grams) includes bezel and PCB but not wall-mounted power supply	
POWER	<u>Country</u>	<u>Output/Input Rating</u>
	North America	12VAC @ 600mA/110VAC
	United Kingdom	12VAC @ 600mA/240VAC
	Australia	12VAC @ 600mA/240VAC
RELIABILITY	Mean time before failure (MTBF) target is greater than 20 years using Mil-Std-217F method TBD reliability calculations.	
FUNCTIONAL DESCRIPTION	Multiplexes up to eight Nortel Norstar TCM Loops (up to 16 voice paths) into one DS-30 fiber optic line. Each TCM Loop may include up to two active voice/data paths as well as a control signaling path.	

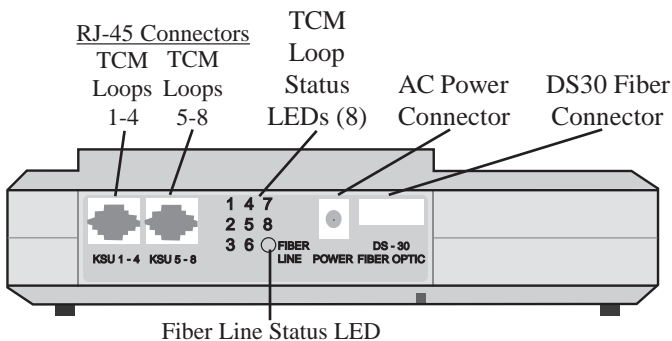


Figure 1. DS-30/Station Port Adapter

INSTALLATION

1. Connect the TCM Loops from the KSU to a male RJ-45 connector using the wiring scheme in Figure 2 below. Connect up to 8 TCM Loops with TCM Loops 1 to 4 in RJ-45 connector 1 and TCM Loops 5 to 8 in RJ-45 connector 2.
2. Insert KSU RJ-45 male connector(s) into the appropriate female RJ-45 connector in the adapter.
3. Insert DS-30 fiber connector of fiber line from Applications Module into DS-30 Fiber Connector of adapter.
4. Plug power cord into AC Power Connector.
5. Plug the adapter power into an AC wall outlet. **WARNING: Use only UL CSA/cUL approved Class 2 Wall Mount Power Supply with a rated output of 12VAC.**

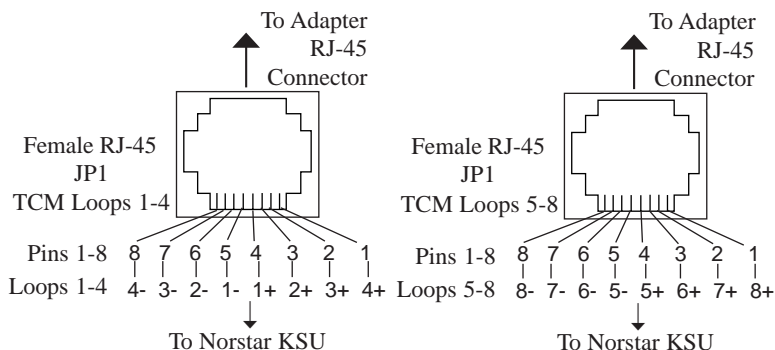


Figure 2. TCM Loop RJ-45 Pinout Connections

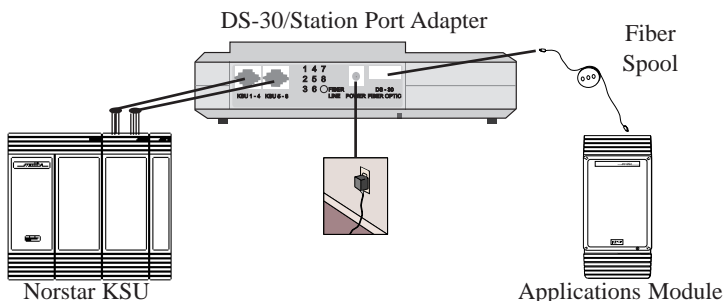


Figure 3. Installation Diagram

TROUBLESHOOTING

Table 3. Troubleshooting Guide

SITUATION	INDICATION	LINK	ACTION
Fiber Line LED light is flashing	Power on	Invalid	Check fiber connection between units
Fiber Line LED light is off	No Power	Invalid	Check power source
Fiber Line LED light is on	Power on	Valid	None
TCM Loop LED port light is on	Active port connection	Valid	None
TCM Loop LED port light is off	Inactive port connection	Invalid	Check corresponding port connection

NOTE: Timing master uses highest numbered TCM Loop connected port to synchronize DS-30 link.

The DS30/Station Port Adapter is compatible with ACCESS 2.6 ver. 6.52 and higher within application products running on the NAM II platform. Systems with previous versions of ACCESS should obtain an appropriate upgrade.

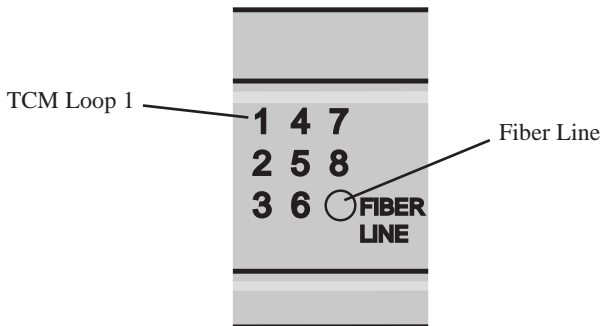


Figure 4. Close-up View of LEDs

Norstar is a trademark of Northern Telecom.
P0878745 Issue 01
Printed in the United States



Free Manuals Download Website

<http://myh66.com>

<http://usermanuals.us>

<http://www.somanuals.com>

<http://www.4manuals.cc>

<http://www.manual-lib.com>

<http://www.404manual.com>

<http://www.luxmanual.com>

<http://aubethermostatmanual.com>

Golf course search by state

<http://golfingnear.com>

Email search by domain

<http://emailbydomain.com>

Auto manuals search

<http://auto.somanuals.com>

TV manuals search

<http://tv.somanuals.com>