



SW/HW Dept

MSC8101 ADS User's Manual

**Revision B
(Revision Release 1.2)**

**Dragilev Lev
SW/HW Dept
Motorola Semiconductor Israel
1 Shenkar Street,
Herzlia 46120, Israel
TEL: 972-9-522-579
email: Lev.Dragilev@motorola.com
FAX: 972-9-9562990**

25/1/2004

**For More Information On This Product,
Go to: www.freescale.com**

Download from Www.Somanuals.com. All Manuals Search And Download.

CONTENTS

1•1	Introduction	11
1•2	Abbreviations' List	11
1•3	Related Documentation	11
1•4	Specification	12
1•5	ADS Features	13
2•1	INTRODUCTION	16
2•2	UNPACKING INSTRUCTIONS	16
2•3	HARDWARE PREPARATION	16
2•3•1	Setting The Core Supply Voltage Level	18
2•3•2	Setting MODCK(1:3) For Initial PLLs' Multiplication Factor - SW9	18
2•3•3	Setting HReset Configuration Source	18
3•1	OnCE Connection Scheme	19
3•2	Host I/F Operation	19
3•3	Stand Alone Operation	20
3•4	+5V Power Supply Connection	21
3•5	JTAG/OnCE Connector - P6	21
3•6	HOST I/F Connector - P4	22
3•7	Terminal to MSC8101ADS RS-232 Connection	23
3•8	10/100-Base-T Ethernet Port Connection	24
3•9	Flash Memory SIMM Installation	24
4•1	INTRODUCTION	26
4•2	SWITCHES	26
4•2•1	Host I/F Setting - SW1	26
4•2•2	Emulator Enable (EE) - SW2	26
4•2•3	ABORT Switch - SW3	27
4•2•4	SOFT RESET (SRESET) Switch - SW4	27
4•2•5	DATA Bus Width Setting - SW5 & SW6.	27
4•2•6	HARD RESET (HRESET) - Switch - SW7	28
4•2•7	Power-On RESET Switch (PRESET) - SW8	28
4•2•8	Configuration Switch - SW9	28
4•2•9	Boot Mode Select - SW10	29
4•2•10	Software Options Switch - SW11	30
4•3	Jumpers	30
4•3•1	JP1 - DLL Disable.	30
4•3•2	JP2 - Clock Buffer Set.	30
4•3•3	JP3 - 50 Ohm Enable.	31
4•3•4	JP4 - VPP Source Selector	31
4•3•5	JP5,JP8 - 600 Ohm Termination.	31
4•3•6	JP6,JP7 - MIC Enable.	31
4•3•7	JP9 - 5V power supply for CODEC	31
4•3•8	JS1-5 - Current Consumption Measurement	32
4•3•9	JG1-6 GND Bridges	32
4•3•10	Solder Bridges	32
4•4	LEDs	32
4•4•1	Fast Ethernet Indicator - LD1	32
4•4•2	Fast Ethernet RX Indicator - LD2	32
4•4•3	Ethernet TX Indicator - LD3	32

4•4•4	Ethernet LINK Indicator - LD4	33
4•4•5	Fast Ethernet CLSN Indicator - LD5	33
4•4•6	ATM RX Indicator - LD6	33
4•4•7	ATM TX Indicator - LD7	33
4•4•8	TEXP Indicator - LD8	33
4•4•9	Signaling Indicator 1 - LD9	33
4•4•10	Signaling Indicator 0 - LD10	33
4•4•11	RS232 Port 2 ON - LD11	33
4•4•12	RS232 Port 1 ON - LD12	33
4•4•13	Fast Ethernet Port Initially Enabled - LD13	33
4•4•14	ATM ON - LD14	34
4•4•15	T1-1 TDM Port 1 Enable - LD15	34
4•4•16	T1-234 TDM Ports 2,3,4 Enable - LD16	34
4•4•17	CODEC Enable - LD17	34
4•4•18	RUN Indicator - LD18	34
4•4•19	Host I/F Enable - LD19	34
4•4•20	1.5V Indicator - LD20	34
4•4•21	3.3V Indicator - LD21	34
4•4•22	5V Indicator - LD22	34
4•5	The MSC8101's Registers' Programming	34
4•5•1	System Initialization	35
5•1	Reset & Reset - Configuration	39
5•1•1	Power- On Reset	39
5•1•2	Manual Hard Reset	39
5•1•3	Hard Reset Configuration	39
5•1•4	Manual Soft Reset	41
5•1•5	MSC8101 Internal Hard Reset Sources	42
5•2	Local Interrupter	42
5•2•1	ABORT Interrupt	42
5•2•2	ATM UNI Interrupt	42
5•2•3	QFALC Interrupt	42
5•3	Clock Generator	42
5•4	Bus Buffering	43
5•5	Chip - Select Generator	43
5•6	Synchronous DRAM Bank	44
5•6•1	SDRAM Programming	45
5•6•2	SDRAM Refresh	46
5•7	Flash Memory SIMM	46
5•7•1	Flash Programming Voltage	47
5•8	Communication Ports	48
5•8•1	ATM Port	50
5•8•2	100/10 Base - T Port	50
5•8•3	Audio CODEC	51
5•8•4	T1/E1 Ports	52
5•8•5	RS232 Ports	52
5•9	Host I/F	53
5•10	DMA off-board tool	54
5•11	Board Control & Status Register - BCSR	54

5•11•1	BCSR0 - Board Control / Status Register 0	55
5•11•2	BCSR1 - Board Control / Status Register 1	56
5•11•3	BCSR2 - Board Control / Status Register 2	58
5•11•4	BCSR3 - Board Status Register 3	59
7•1	Power rails.	65
7•1•1	5V Bus	66
7•1•2	3.3V Bus	66
7•1•3	1.5V Bus	66
A•1	BOM	68
B•1	Interconnect Signals	76
B•1•1	MSC8101ADS's P1- System Expansion Connector	76
B•1•2	MSC8101ADS's P2 - CPM Expansion Connector	82
B•1•3	P3 - Altera's In System Programming (ISP)	90
B•1•4	P4 - Host Interface Connector	90
B•1•5	P5, P7, P8, P9, P10, P13, P14 - Logic Analyzer Connectors	92
B•1•6	P6 - JTAG/OnCE Port Connector	92
B•1•7	P12 - Ethernet Port Connector	93
B•1•8	P15,P16 - SMB Connectors	93
B•1•9	P17,P18 - Double RJ45 T1/E1 Line Connectors	93
B•1•10	P19,P21,P24 - Stereo Phone Jack Connectors	94
B•1•11	P20,P22,P23,P25 - RCA Jack Connectors	94
B•1•12	P26 - 5V Power Supply Connectors	95
B•1•13	P27A,B - RS232 Ports' Connectors	95
C•1	Logic Equations	99
C•1•1	First Include File	99
C•1•2	Second Include file	100
C•1•3	Main File	101

LIST OF FIGURES

FIGURE 1-1	MSC8101ADS Block Diagram	15
FIGURE 2-1	MSC8101ADS Top Side Part Location diagram	17
FIGURE 3-1	Host System Debug Scheme A	19
FIGURE 3-2	Host System Debug Scheme B	20
FIGURE 3-3	Stand Alone Configuration	21
FIGURE 3-4	P26: +5V Power Connector	21
FIGURE 3-5	P6 - JTAG/OnCE Port Connector	22
FIGURE 3-6	P4 - Host I/F Connector	23
FIGURE 3-7	P27A - Upper RS-232 Serial Port Connector	24
FIGURE 3-8	P27B - Lower RS-232 Serial Port Connector	24
FIGURE 3-9	Flash Memory SIMM Insertion	25
FIGURE 4-1	Switch SW1 HOST - Description	26
FIGURE 4-2	Switch SW2 - Description	27
FIGURE 4-3	DIP-Switch 64/32 Bit Setting	28
FIGURE 4-4	Switch SW9 MODCK - Description	29
FIGURE 4-5	Switch SW10 BOOT MODE - Description	30
FIGURE 4-6	Switch SW11 S/W Option - Description	30
FIGURE 4-7	JP4 - FLASH Programming Source Selection	31
FIGURE 4-8	JP9 - 5V CODEC Source Selection	32
FIGURE 5-1	Clock Distribution Scheme	43
FIGURE 5-2	SDRAM Connection Scheme	45
FIGURE 5-3	FLASH SIMM Connection Scheme	47
FIGURE 5-4	MSC8101 to CODEC connection.	51
FIGURE 5-5	RS232 Serial Ports' Connector	52
FIGURE 5-6	Host Interface Diagram	53
FIGURE 7-1	ADS Power Scheme	65

LIST OF TABLES

TABLE 1-1.	MSC8101ADS Specifications	12
TABLE 4-1.	Available Clock Mode Setting	29
TABLE 4-2.	JP1/JP2 Settings	31
TABLE 4-3.	SIU Registers' Programming	35
TABLE 4-4.	Memory Controller Initialization for 100(50) MHz	36
TABLE 5-1.	Summary Reset Configuration Schemes.	40
TABLE 5-2.	Hard Reset Configuration Word	40
TABLE 5-3.	MSC8101ADS Chip Select Assignments	44
TABLE 5-4.	100 MHz SDRAM Mode Register Programming	45
TABLE 5-5.	Flash Memory Projected Performance Figures	46
TABLE 5-6.	Ports Function Enable	49
TABLE 5-7.	CS4221 Programming	51
TABLE 5-8.	Host I/F Interconnect signals	54
TABLE 5-9.	BCSR0 Description	55
TABLE 5-10.	BCSR1 Description	56
TABLE 5-11.	Peripheral's Availability Decoding.	58
TABLE 5-12.	BCSR2 Description	58
TABLE 5-13.	Flash Presence Detect (7:5) Encoding	59
TABLE 5-14.	Flash Presence Detect (4:1) Encoding	59
TABLE 5-15.	BCSR3 Description	60
TABLE 5-16.	EXTOOLI(0:3) Assignment	61
TABLE 5-17.	External Tool Revision Encoding	61
TABLE 5-18.	ADS Revision Encoding	61
TABLE 6-1.	MSC8101ADS Memory Map	63
TABLE 7-1.	Off-Board Application Maximum Current Consumption	66
TABLE A-1.	MSC8101ADS Bill Of Material	68
TABLE B1-2.	P1 - System Expansion - Interconnect Signals	77
TABLE B1-3.	P2 - CPM Expansion - Interconnect Signals	82
TABLE B1-4.	P3 - ISP Connector - Interconnect Signals	90
TABLE B1-5.	P4 - Host Interface Connector - Interconnect Signals	90
TABLE B1-6.	P6 - JTAG/ONCE Connector - Interconnect Signals	92
TABLE B1-7.	P12 - Ethernet Port Interconnect Signals	93
TABLE B1-8.	P17,P18 - T1/E1 Line Connectors Interconnect Signals	94
TABLE B1-9.	P19,P21,P24 - Stereo Phone Connectors Interconnect Signals	94
TABLE B1-10.	P27A Interconnect Signals	95
TABLE B1-11.	P27B Interconnect Signals	95

1 - General Information

1.1 Introduction

This document describes the engineering specifications of the MSC8101ADS board based on the MSC8101- first member of the family of programmable DSP based around the SC100 DSP cores. It integrates a high-performance StarCore SC140 DSP is four ALU DSP Core, large on-chip memory (1/2 MByte), Communication Processor Module compatible with PowerQUICCII (MPC8260) CPM, a very flexible system integration unit (SIU) and a 16-channel DMA engine.

This board is meant to serve as a platform for s/w and h/w development around the MSC8101 processor. Using its on-board resources and its associated debugger, a developer is able to download code, run it, set breakpoints, display memory and registers and connect proprietary h/w via the expansion and host interface connectors, to be incorporated into a desired system with the MSC8101 processor.

This board could also be used as a demonstration tool, i.e., application s/w may be burned^A into its flash memory and ran in exhibitions etc.

1.2 Abbreviations' List

- **Processor** - The MSC8101
- **ADS** - The MSC8101ADS, the subject of this document
- **SDRAM Machine** - Synchronous Dynamic RAM Machine
- **UPM** - User Programmable Machine
- **GPCM** - General Purpose Chip-select Machine
- **CPM** - Communication Processor Module
- **FCC** - Fast communications controller
- **SCC** - Serial communications controller
- **SMC** - Serial management controller
- **TDMA(B,C,D)** - One of four A(B,C,D) time-division multiplexed interfaces
- **HID16** - Host Parallel Interface 16 bit-wide
- **GPL** - General Purpose Line (associated with a UPM)
- **EOnCE** - Enhanced On-Chip Emulation (debug port)
- **EE** - EOnCE Event Signal
- **BCSR** - Board Control & Status Register
- **ZIF** - Zero Input Force
- **BGA** - Ball Grid Array
- **SIMM** - Single In-line Memory Module
- **MII** - Media Independent Interface

1.3 Related Documentation

- [1] *StarCore 140 Architecture Functional Specification*
- [2] *SC140 DSP Core Reference Manual*
- [3] *MSC8101 Reference Manual*
- [4] *MSC8101 Hardware Specification*

A. Either on or off-board.

- [5] *PMC-SIERRA 5350 Long Form Data Sheet*
- [6] *PMC-SIERRA 5350 Errata Notice*
- [7] *PMC-SIERRA 5350 Reference Design*
- [8] *LXT970A (by Level One) Data Sheet*
- [9] *LXT970 Demo Board User's Guide*

1.4 Specification

The MSC8101ADS specifications are given in [TABLE 1-1. "MSC8101ADS Specifications"](#) below

TABLE 1-1. MSC8101ADS Specifications

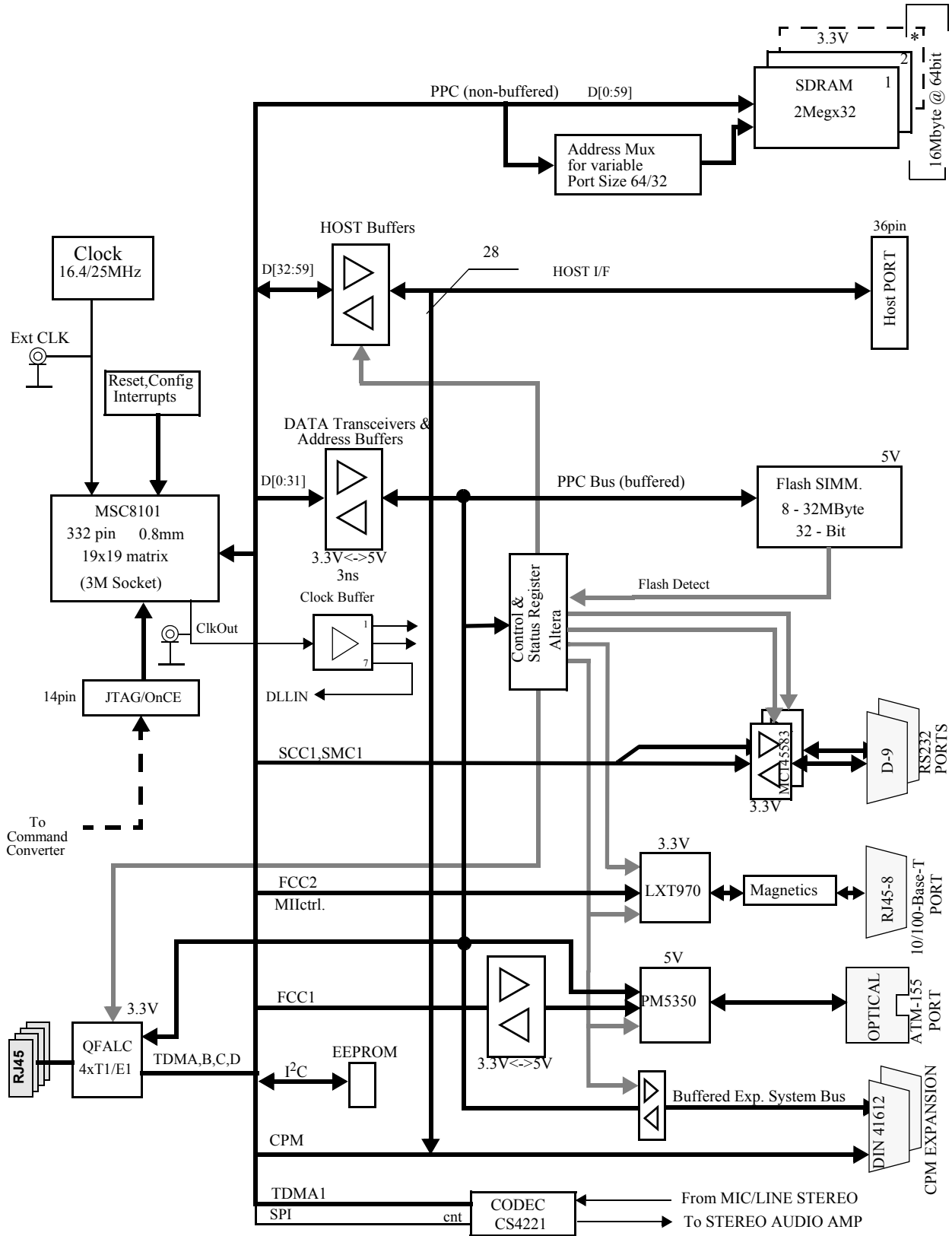
CHARACTERISTICS	SPECIFICATIONS
Power requirements (no other boards attached)	+5V DC @ 2A (Typ.), 3A (Max.)
MSC8101	Internal clock up to 300MHz @ 1.5V
PowerPC(60x) Bus	Running up to 100 MHz Bus Clock Frequency.
PowerPC (60x) bus: Total address range:	4 Giga Bytes (32 address lines) 256 KBytes External (18 address lines)
Data Bus width:	64 bit without Host Interface(HID16)/32bit with HID16
Flash memory mounted on SIMM	8 MByte, 32 bits wide expandable to 32 MBytes.
Synchronous DRAM 100MHz soldered (non-buffered)	16MBytes, organized as 2x8Megx32 bit. May be reconfiged to 32bits wide with 8MByte (expansion to 16MByte is optional)
Operating temperature	0°C - 30°C (room temperature)
Storage temperature	-25°C to 85°C
Relative humidity	5% to 90% (non-condensing)
Dimensions:	
Length	9.549" (240 mm)
Width	7.480" (190 mm)
PCB Thickness	0.063" (1.6 mm)

1.5 ADS Features

- o 64-bit MSC8101, running up to @ 100MHz external bus frequency.
- o 8 MByte, 80 pin Flash SIMM reside after buffer. Support for up to 32 MByte, controlled by GPCM, 5V Programmable, with Automatic Flash SIMM identification, via BCSR.
- o 16 MByte unbuffered SDRAM on PPC bus, controlled by SDRAM machine, soldered directly on the board. Data bus width 64/32 bits is controlled by Jumper Array. The narrow data bus configuration is supported with 8MByte SDRAM memory space.
- o 256 KBit serial EEPROM on I2C bus.
- o Board Control & Status Register - BCSR, controlling Board's Operation on PPC bus. Access via GPCM.
- o Programmable Hard-Reset Configuration via Flash memory or Host Interface. Also may be forced from BCSR.
- o High density (MICTOR) Logic Analyzer connectors, carrying all MSC8101 signals, for fast logic analyzer connection.
- o 155 Mbps ATM UNI on FCC1 with Optical I/F, connected to the MSC8101 via UTOPIA, using the PMC-SIERA 5350.
- o 10/100-Base-T Port on FCC2 with T.P. I/F, MII controlled, using Level-One LXT970.
- o Four channels T1/E1 on TDMs using Infeneon Quad FALC PEB22554.
- o 24-bit audio-CODEC CS4221 connected to the CPM's TDMA1 channel with gained stereo audio Input/Output.
- o Dual RS232 port residing on SCC1 & SMC1.
- o Module disable (i.e., low-power mode) option for all communication transceivers - BCSR controlled, enabling use of communication ports, off-board via expansion connectors.
- o Dedicated MSC8101's communication ports expansion connectors for convenient tools' connection, carrying also necessary bus signals, for transceivers' M/P I/F connection. Use is done with 2 X 128 pin DIN 41612 receptacle connectors.
- o Host I/F, providing through expansion connectors or dedicated header.
- o External Tools' Identification & status read Capability, via BCSR.
- o SMB-connectors for external pulse generator and clock output
- o Configuration setting via DIP switches.
- o Power-On Reset Push, Soft - Hard Reset Push, ABORT Push - Buttons.
- o Ext. Single 5V DC Supply with Reverse / Over Voltage Protection for Power Input and Power-On sequence.

- o On-board 1.2V - 2.2V adjustable for MSC8101 Internal Logic Operation and 3.3V±10% fixed Voltage Regulators for other circuits. May be bypassed in case of external power supplying.
- o Software Option Switch provides 8 S/W options via BCSR.
- o LED's for power supply, module enables, timer expired and SW indications.

FIGURE 1-1 MSC8101ADS Block Diagram



* - Additional memory part is optional

2 - Hardware Preparation

2•1 INTRODUCTION

This chapter provides unpacking instructions, hardware preparation, and installation instructions for the MSC8101ADS.

2•2 UNPACKING INSTRUCTIONS

NOTE

If the shipping carton is damaged upon receipt, request carrier's agent to be present during unpacking and inspection of equipment.

Unpack equipment from shipping carton. Refer to packing list and verify that all items are present. Save packing material for storing and reshipping of equipment.

CAUTION

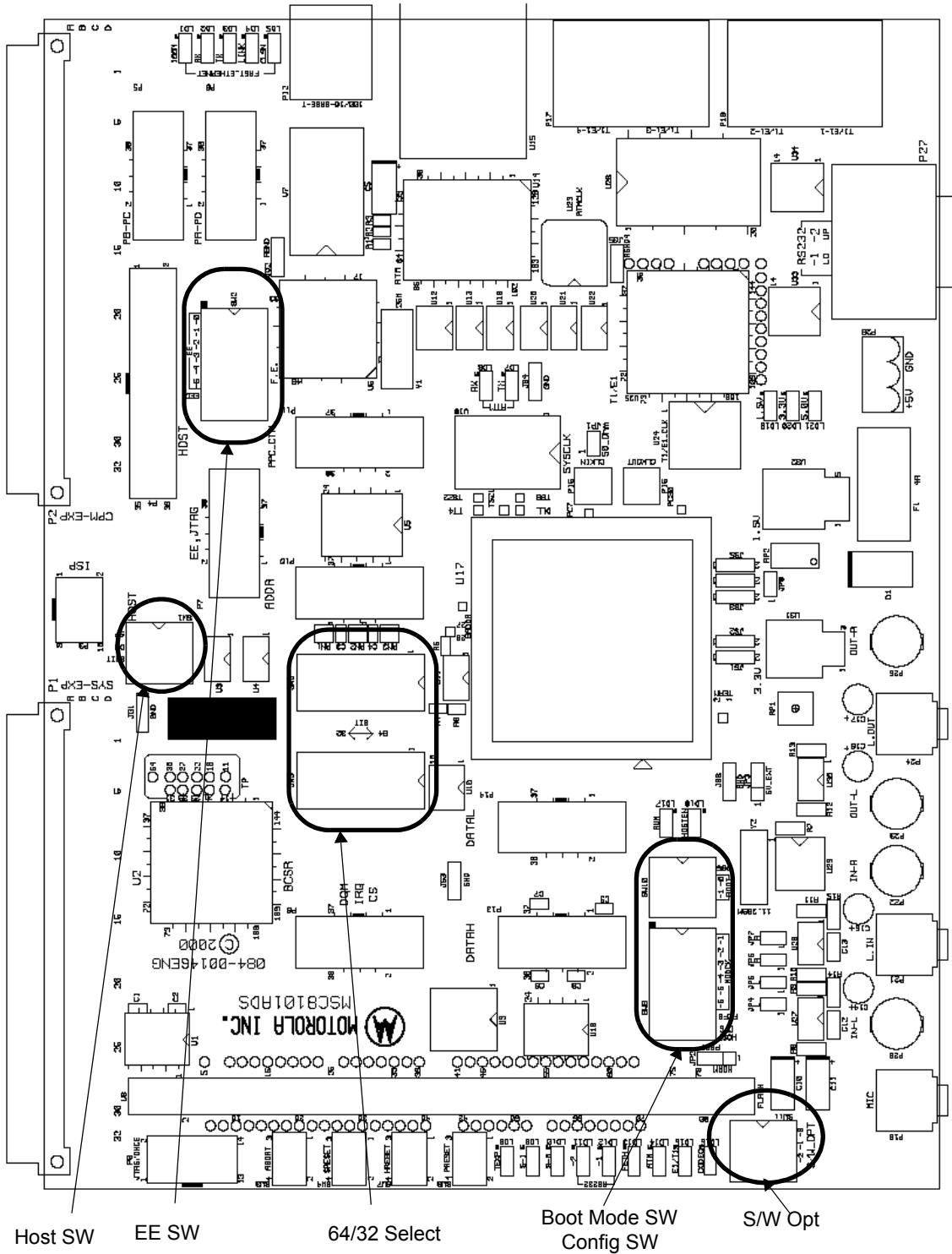
AVOID TOUCHING AREAS OF INTEGRATED CIRCUITRY; STATIC DISCHARGE CAN DAMAGE CIRCUITS.

2•3 HARDWARE PREPARATION

To select the desired configuration and ensure proper operation of the MSC8101-ADS board, changes of the DIP-Switch settings may be required before installation. The location of the switches, indicators, DIP-Switches, and connectors is illustrated in [FIGURE 2-1 "MSC8101-ADS Top Side Part Location diagram" on page 17](#). The board has been factory tested and is shipped with DIP-Switch settings as described in the following paragraphs. Parameters can be changed for the following conditions:

- The Processor Internal Logic and PLLs Supply Level (1.6V) via potentiometer RP2.
- The Processor I/O Supply Voltage (3.3V) via potentiometer RP1 (be careful since this power supply feeds another logic devices on the ADS and tool boards).
- The Processor Clocking:
 - MODCK(1:3). Determining Core's and CPM's PLLs multiplication factor via the DIP Switch SW9.
 - MODCKH(4:6) for the Flash Memory Config. Word/Host Config Word (Power-On Reset Source Dependent) or from the DIP Switch SW9 for FPGA Config. Setting (Safe Mode).
 - Clock mode update requires power up operation.
- Hard Reset Configuration Word source is selected by the DIP Switch SW9/7.
- Normal (64-bit wide) or Narrow (32-bit wide) Data bus width for Host I/F mode is selected by the DIP Switches SW5,6.

FIGURE 2-1 MSC8101ADS Top Side Part Location diagram



2•3•1 Setting The Core Supply Voltage Level

The internal Logic & PLL's of the MSC8101 is powered separately through a supply bus named 1V5. The voltage level over this power bus may vary between 0.9V - 2.1V. In the lower voltage level, the Processor will operate at lower frequency range, consuming a smaller amount of power and vice-versa for the higher voltage level.

1V5 power level is factory set for 1.5V, but may be changed by RP2.

2•3•2 Setting MODCK(1:3) For Initial PLLs' Multiplication Factor - SW9

During Power On reset sequence the Processor samples the three MODCK(1:3) lines which are driven by Altera FPGA device in accordance with SW9/1-3 setting. MODCK_HI field (MODCK[4-6]), taken from the reset configuration word, are read from the Flash memory (default value from Altera FPGA for non-programmed Flash is read from SW9/4-6) or from Host Interface to establish with the multiplication factors of the CPM's and Core's PLLs. SW9 is shown in [FIGURE 4-4 "Switch SW9 MODCK - Description" on page 29](#):

Some Clock Configuration can see in [FIGURE 5-1 on page 43](#):

2•3•3 Setting HReset Configuration Source

The HReset Configuration Word^A, read by the Processor while HRESET~ is asserted, may be taken from three sources:

- 1) Flash Memory SIMM.
- 2) Altera FPGA (Safe Mode).
- 3) Host I/F.

When SW9/7 is OFF, the Hard Reset Configuration Word is taken from Altera FPGA, when it is ON, the Hard Reset Configuration Word is taken from the Flash SIMM. If SW9/8 (Configuration) set OFF the Processor will be configured from Host, independent of SW9/7 (Flash Configuration Enable) position. For correct operation for Host Config. Mode Data bus width will be set to 32-bit wide.

A. In fact 8 Hard-Reset configuration words are read by a configuration master, however only the first is relevant for a single MSC8101.

3 - Installation Instructions

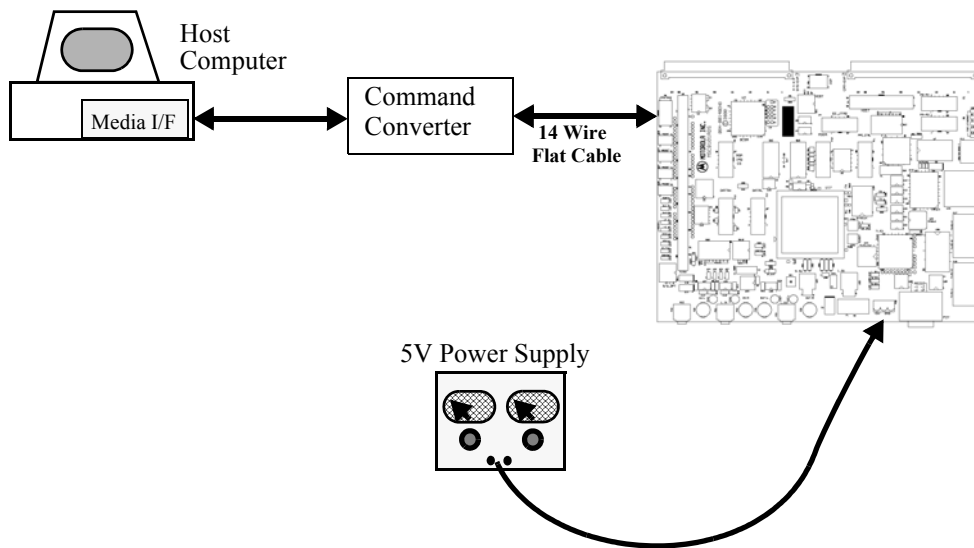
The MSC8101ADS may be configured according to the required working environment as follows:

- Host Controlled Operation through OnCE Port
- Host Interface Operation through HDI16 Port
- Stand-Alone Mode

3•1 OnCE Connection Scheme

In this configuration the MSC8101ADS is controlled by a host computer via the OnCE Port, which is a subset of the JTAG port. This configuration allows for extensive debugging using on-host debugger. The host is connected to the ADS by a Command Converter provided by a third party (Macraigor Systems).

FIGURE 3-1 Host System Debug Scheme A



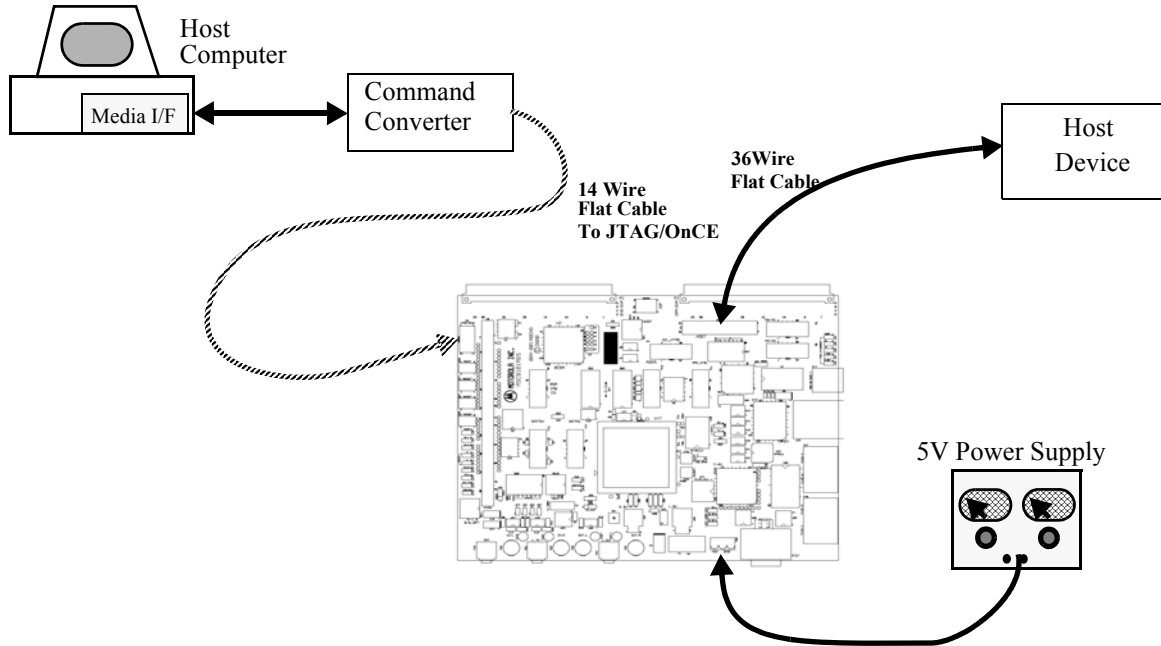
3•2 Host I/F Operation

In this configuration the MSC8101ADS is using HDI16 I/F that provide 16-bit wide, full-duplex, double-buffered, parallel port to connect directly to the data bus of a host processor. The HDI16 supports two classes of interfaces:

- Host processor/Microcontroller (MCU) connection interface
- DMA controller interface

A Host Device may be connected to the ADS via dedicated 36pin two rows header or via 128pin DIN - connector P2.

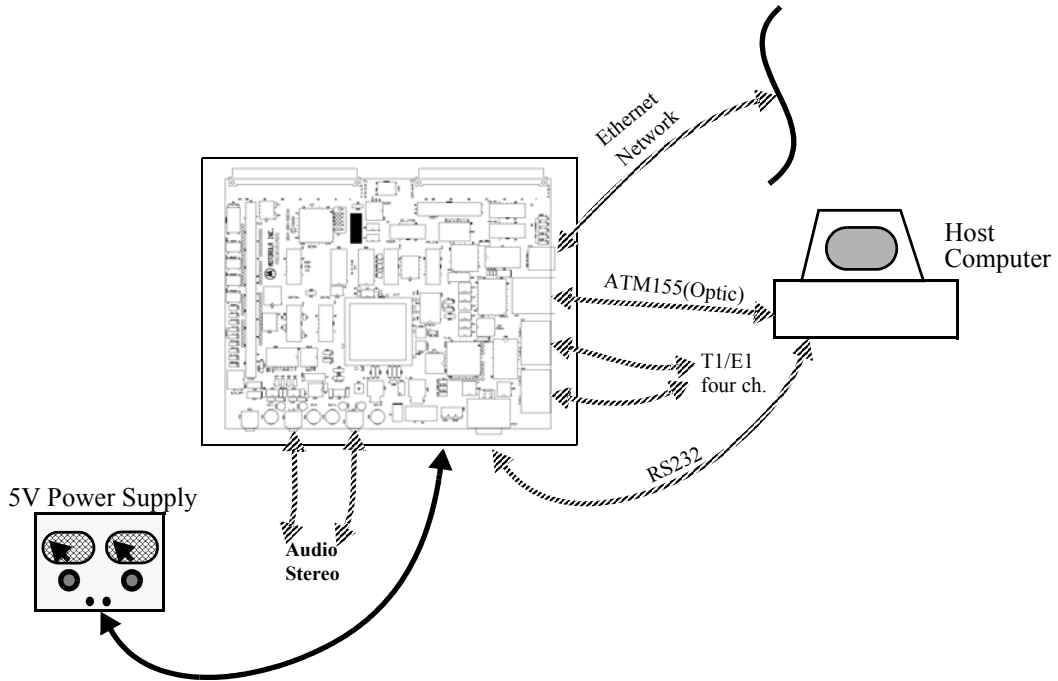
FIGURE 3-2 Host System Debug Scheme B



3.3 Stand Alone Operation

In this mode, the ADS is not controlled by the host via the OnCE port. It may connect to host via one of its other ports, e.g., RS232 port, Fast Ethernet port, ATM155 port etc. Operating in this mode requires an application program to be programmed into the board's Flash memory.

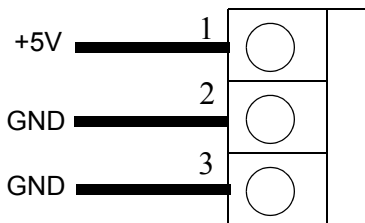
FIGURE 3-3 Stand Alone Configuration



3•4 +5V Power Supply Connection

The MSC8101 requires +5V DC @ 4A max, power supply for operation. Connect the +5V power supply to connector P26 as shown below:

FIGURE 3-4 P26: +5V Power Connector



P26 is a 3 terminal block power connector with power plug. The plug is designed to accept 14 to 22 AWG wires. It is recommended to use 14 to 18 AWG wires. To provide solid ground, two GND terminals are supplied. It is recommended to connect both GND wires to the common of the power supply, while “Hot” line is connected with a single wire.

NOTE

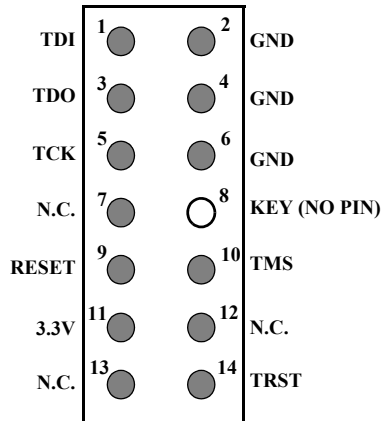
Since hardware applications may be connected to the MSC8101ADS via the expansion connectors P1 and P2, the additional power consumption should be taken into consideration when a power supply is connected to the MSC8101ADS.

3•5 JTAG/OnCE Connector - P6

The MSC8101ADS JTAG/OnCE connector, P6, is a 14 pin, two rows, header connector with key. The connection between the MSC8101ADS and the Command Converter is by a 14 line flat cable,

supplied with the Command Converter obtained from Macraigor Systems. [FIGURE 3-5 "P6 - JTAG/OnCE Port Connector"](#) below shows the pin configuration of the connector.

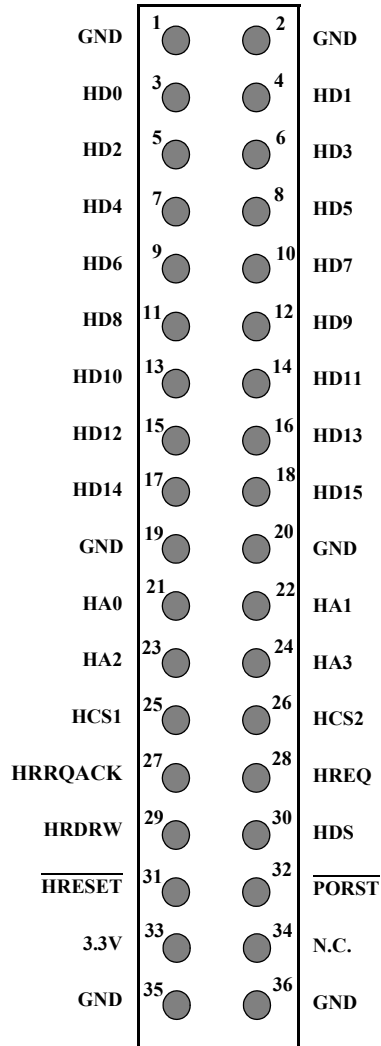
FIGURE 3-5 P6 - JTAG/OnCE Port Connector



3•6 HOST I/F Connector - P4

The MSC8101ADS HOST I/F connector, P4, is a 36 pin, two rows, header connector. The connection between the MSC8101-ADS and the Host Board is by a 36 line flat cable, not shipped with the ADS. [FIGURE 3-6 "P4 - Host I/F Connector"](#) below shows the pin configuration of the connector.

FIGURE 3-6 P4 - Host I/F Connector



3•7 Terminal to MSC8101ADS RS-232 Connection

A serial (RS232) terminal or any other RS232 equipment, may be connected to both connectors P27/A-B (Upper and Lower). This connectors are a 9 pin, female, D-type connectors, arranged in a stacked configuration. P27A connected to SCC1 of the MSC8101 is the lower and P27B, connected to SMC1 of the MSC8101, is the upper in the stack.

The connectors are arranged in a manner that allows for 1:1 connection with the serial port of an IBM-AT^A or compatibles, i.e. via a flat cable. The pinout which is not identical - P27A supports DTE to DCE connection unlike it the P27B supports Null Modem connection (DTE to DTE). The difference is shown in [FIGURE 3-7](#) and [FIGURE 3-8](#).

A. IBM-AT is a trademark of International Business Machines Inc.

FIGURE 3-7 P27A - Upper RS-232 Serial Port Connector

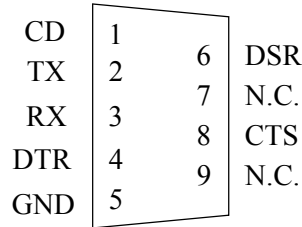
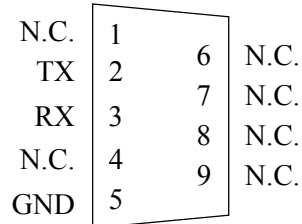


FIGURE 3-8 P27B - Lower RS-232 Serial Port Connector



3•8 10/100-Base-T Ethernet Port Connection

The 10/100-Base-T port connector - P12, is an 8-pin, 90°, receptacle RJ45 connector. The connection between the 10/100-Base-T port to the network is done by a standard cable, having two RJ45/8 jacks on its ends.

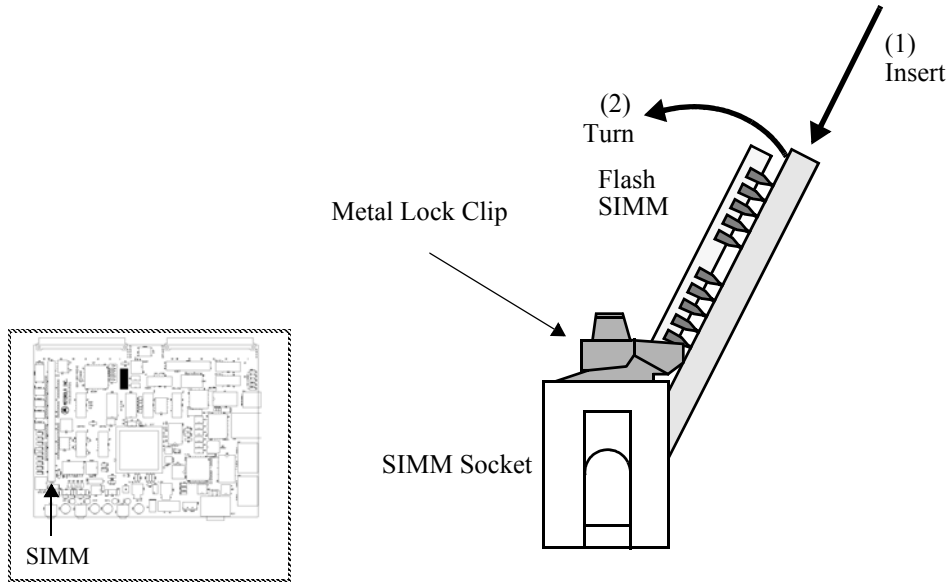
3•9 Flash Memory SIMM Installation

To install a memory SIMM, it should be taken out of its package, put diagonally in its socket - U8 and then raised to a vertical position until the metal lock clips are locked. See [FIGURE 3-9 "Flash Memory SIMM Insertion" on page 25](#).

CAUTION

The memory SIMMs have alignment nibble near their # 1 pin. It is important to align the memory correctly before it is twisted, otherwise damage might be inflicted to both the memory SIMM and its socket.

FIGURE 3-9 Flash Memory SIMM Insertion



4 - Operating Instructions

4•1 INTRODUCTION

This chapter provides necessary information to use the MSC8101-ADS in host-controlled and stand-alone configurations. This includes controls and indicators, memory map details, and software initialization of the board.

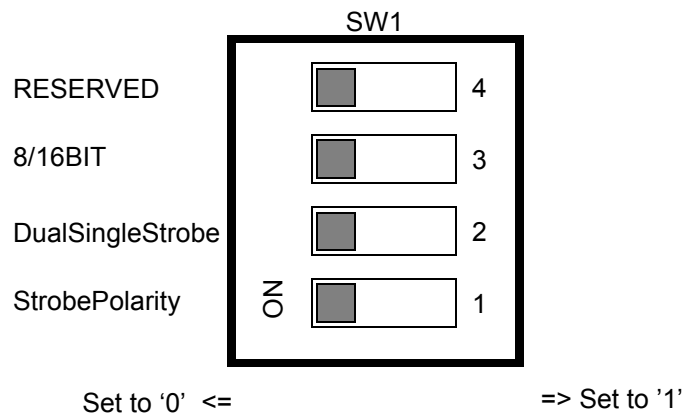
4•2 SWITCHES

The MSC8101ADS has the following switches:

4•2•1 Host I/F Setting - SW1

This switch is using for manually set a Host Bus parameters. When Host Configuration is enable the DIP switch SW1/1-3 will be connected to Data Bus through tri-state buffers and sampled by the Processor. **The SW1 factory set is all ON.**

FIGURE 4-1 Switch SW1 HOST - Description

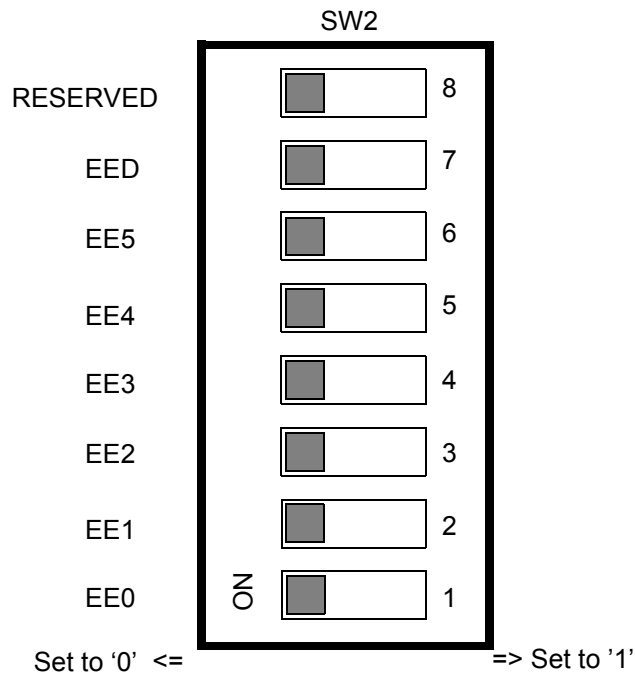


4•2•2 Emulator Enable (EE) - SW2

This switch controls lines EE0-EE7, EED, connected to appropriate pins of the Processor. When Reset Configuration executed, EEs lines, involved in one, are driven by FPGA. In fact, they are EE0, EE1, EE4 and EE5 which sampled at the rising edge of PORESET~. After configuration is done level of all EE-signals is set by the switch SW2/1-7. Their status may be read out via

BCSR3/0-6. **SW2 is factory set to all ON.**

FIGURE 4-2 Switch SW2 - Description



4•2•3 ABORT Switch - SW3

The ABORT switch is normally used to abort program execution, this by issuing a level 0 non-maskable interrupt to the Processor. If the ADS is in stand alone mode, it is the responsibility of the user to provide means of handling the interrupt, since there is no resident debugger with the MSC8101-ADS. The ABORT switch signal is denounced, and can not be disabled by software.

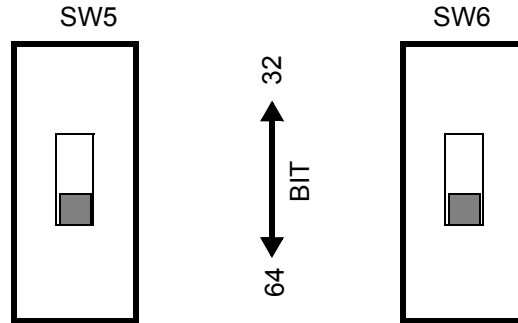
4•2•4 SOFT RESET (SRESET) Switch - SW4

The SOFT reset switch SW4 performs Soft Reset to the Processor internal modules, maintaining it's configuration (clocks & chip-selects) and SDRAMs' contents. The switch signal is debounced, and it is not possible to disable it by software.

4•2•5 DATA Bus Width Setting - SW5 & SW6.

Two switches SW5 & SW6 are using together for preparing the SDRAM Memory Banks for Host Interface Mode when HDI16 interface is provided over Data Bus lines D32-D63. They should be set in "32bit" position when DIP-Switch **SW9/8 HOST CFG set ON** (PPC bus supports Host I/F) and vice versa - "64bit" when Host I/F disable.

FIGURE 4-3 DIP-Switch 64/32 Bit Setting



4•2•6 HARD RESET (HRESET) - Switch - SW7

HARD reset is generated when switch SW7 is pressed. When the Processor executes HARD reset sequence, all its configuration is lost, including data stored in the SDRAMs and the Processor has to be re-initialized.

4•2•7 Power-On RESET Switch (PRESET) - SW8

The Power-On reset switch SW8 performs Power-On reset to the MSC8101, as if the power was re-applied to the ADS. When the Processor is reset that way, all configuration and all data residing in volatile memories are lost. After PORST~ signal is negated, the Processor re-acquires the power-on reset configuration data from the Flash (Altera) or Host I/F.

4•2•8 Configuration Switch - SW9

SW9 is a 8-switch DIP-Switch. This switch is connected over Altera device to MODCK(1:6) lines of the Processor. The combination of the switches composing SW9, sets, during Power-On reset sequence, the MODCK(1:6) field for the MSC8101. The switch SW9/7 establishes Configuration Word Source. If SW9/7 is set to ON position Configuration Word will be loaded from the Flash, otherwise from Altera device (default). The Host Configuration will be chosen with SW9/8 set ON, when SW9/8 is OFF - PPC bus has 64-bit width.

The Switch SW9 is factory set to (1 - OFF, 2 - ON, 3 - OFF, 4 - OFF (X), 5 - ON, 6 - OFF, 7,8 - OFF).

FIGURE 4-4 Switch SW9 MODCK - Description

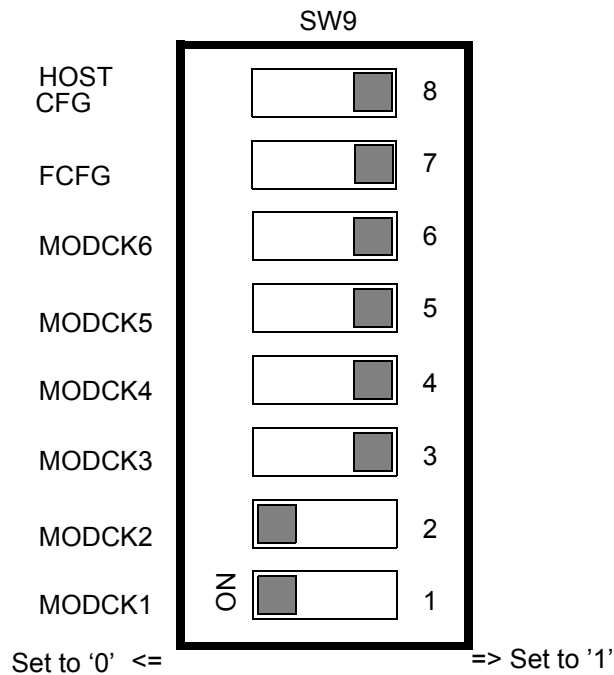


TABLE 4-1. Available Clock Mode Setting

MODCK-						Clock Mode	Clock In MHz	CPM MHz	PPC Bus MHz	SC140 Core MHz
-1	-2	-3	-4	-5	-6					
0	0	1	1	1	1	57 ^a	55	137.5	55 ^a	275
0	0	1	0	0	1	9 ^b	20	200	100	300

a. Factory setting.

b. Alternative clock mode for 100MHz bus frequency requires clock oscillator 20MHz

4•2•9 Boot Mode Select - SW10

SW10 is a 4-switch Dip-Switch with three poles in use. This switch selects Boot Mode over Altera FPGA on the Processor inputs EE0, EE4, EE5 during Power-On reset sequence. Setting SW10/1 (DBG) to ON brings holding EE0 at logic 1 during reset that puts the SC140 core into DEBUG MODE. In doing so BTM's switch position will be ignored. See [TABLE 5-1 on page 40](#) for more explanation. **SW10 is factory set to all ON.**

DLL. See [TABLE 4-2](#). summarized available modes. . Default set is **JP3-OPEN** (DLL disable).

TABLE 4-2. JP1/JP2 Settings

<i>J1</i>	<i>J2</i>	<i>Clock Driver U44</i>	<i>MSC8101 Mode</i>
OPEN	OPEN	PLL Mode	DLL disable
CLOSE	CLOSE	Buffer Mode	DLL enable

4•3•3 JP3 - 50 Ohm Enable.

JP3 provides 50 Ohm resistance termination in case when using an external clock source via coaxial cable connected to the SMB CLOCKIN. In so doing the on-board clock oscillator U18 must be removed from the socket. Default set is **JP3-OPEN** (termination disable).

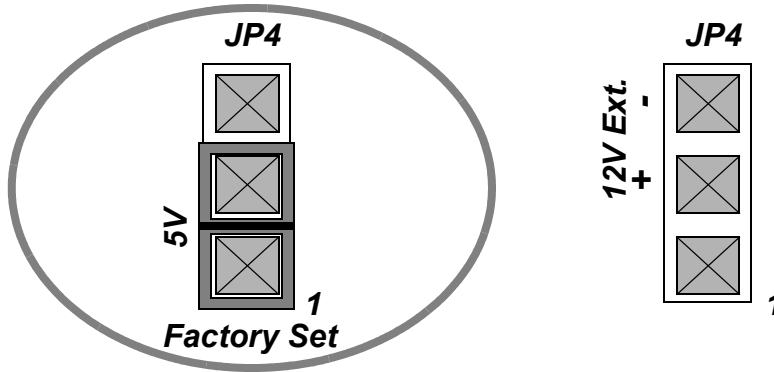
4•3•4 JP4 - VPP Source Selector

JP4 selects the source for VPP - programming voltage for the Flash SIMM. When a jumper is located between pins **1 - 2 of JP4** (Factory Set), the VPP is connected to the 5V0 plane of the ADS. For 12V programming set VPP will be drawn from external power supply 12V connected to pins JP4/2,3.

NOTE

Should be taken into consideration that 12V external power input for Flash SIMM have no protection.

FIGURE 4-7 JP4 - FLASH Programming Source Selection



4•3•5 JP5,JP8 - 600 Ohm Termination.

Set for audio measurements. Factory set - **JP5,JP8** are **OPEN**.

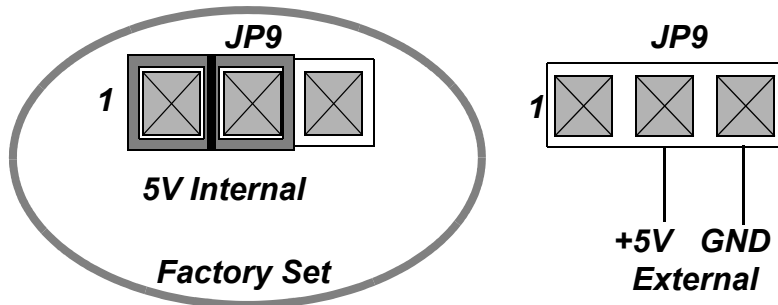
4•3•6 JP6,JP7 - MIC Enable.

Set if using external microphone audio source. Factory set - **JP6,JP7** are **CLOSE**.

4•3•7 JP9 - 5V power supply for CODEC

JP9 selects the source for CODEC Power Rail. When a jumper is located between pins **1 - 2 of JP9** (Factory Set), the CODEC feeds from the 5V0 plane of the ADS. When a jumper is removed external low noise power supply 5V @ 200 mA might be connected to JP9 pins 2,3. See figure below:

FIGURE 4-8 JP9 - 5V CODEC Source Selection



4•3•8 JS1-5 - Current Consumption Measurement

JS1-5 reside on I/O-pins, core & PLL main flow. To measure current consumption, the corresponding JS should be removed using a solder tool and a current meter (shunt) should be connected instead, with as shorted and thicker wires as possible.

Warning

The job of removing JS1-5 and soldering current meter connections instead is very delicate and should be done by a skilled technician.

If this process is done by unskilled hand or repeated more than 3 times, permanent damage might be inflicted to the MSC8101ADS.

4•3•9 JG1-6 GND Bridges

There are 6 GND bridges on the MSC8101-ADS, 4, designated as GND reside on digital ground and 2, designated as AGND3 and AGND4 resides on analog ground plane. They are meant to assist general measurements and logic-analyzer connection.

Warning

When connecting to a GND bridge, use only INSULATED GND clips. Otherwise, un-insulated clips may cause short-circuits, touching "HOT" points around them. Failure in doing so, might result in permanent damage to the MSC8101ADS.

4•3•10 Solder Bridges

All the solder bridges should be shorted while additional SDRAM device has been assembled on the ADS board (special requirement).

4•4 LEDs

The MSC8101-ADS has the following indicators:

4•4•1 Fast Ethernet Indicator - LD1

When the LXT970 is enabled and is in 100 Mbps operation mode, the yellow LED - LD1 lights.

4•4•2 Fast Ethernet RX Indicator - LD2

The green Ethernet Receive LED indicator blinks whenever the LXT970 is receiving data from one of the 10/100-Base-T port.

4•4•3 Ethernet TX Indicator - LD3

The green Ethernet Receive LED indicator blinks whenever the LXT970 is transmitting data via the 10/100-Base-T port.

4•4•4 Ethernet LINK Indicator - LD4

The yellow Ethernet Twisted Pair Link Integrity LED indicator - LINK, lights to indicate good link integrity on the 10/100-Base-T port. LD4 is off when the link integrity fails.

4•4•5 Fast Ethernet CLSN Indicator - LD5

The red Ethernet Collision LED indicator CLSN, lights whenever a collision condition is detected on the 10/100-Base-T port, i.e., simultaneous receive and transmit. This led functions in this duty provided that bits 7:6) of LXT970's register 19, are cleared.

4•4•6 ATM RX Indicator - LD6

The green ATM Receive LED indicator blinks whenever the PM5350 ATM-UNI is receiving cells via the ATM port.

4•4•7 ATM TX Indicator - LD7

The green ATM Receive LED indicator blinks whenever the PM5350 ATM-UNI is transmitting cells via the ATM port.

4•4•8 TEXP Indicator - LD8

The green Timer Expired LED indicates status of Timer 4 output and lights when it's low.

4•4•9 Signaling Indicator 1 - LD9

This red indication LED has no dedicated function over the ADS. It is meant to provide additional visibility for program behavior. Its different color from LD9 provides additional information. It is controlled by BCSR0/7. When either of HRESET or Power-On-Reset is asserted the LED lights as well.

4•4•10 Signaling Indicator 0 - LD10

This green indication LED has no dedicated function over the ADS. It is meant to provide some visibility for program behavior. It is controlled by BCSR0/6. When either of SRESET or Power-On-Reset is asserted the LED lights as well.

4•4•11 RS232 Port 2 ON - LD11

When the yellow RS232 Port 2 ON LED is lit, it designates that the RS232 transceiver connected to P27B, is active and communication via that medium is allowed. When darkened, it designates, that the transceiver is in shutdown mode and its associated SMC1 pins may be used off-board via the expansion connectors.

4•4•12 RS232 Port 1 ON - LD12

When the yellow RS232 Port 1 ON LED is lit, it designates, that the RS232 transceiver connected to P27A, is active and communication via that medium is allowed. When darkened, it designates that the transceiver is in shutdown mode and its associated SCC1 pins may be used off-board via the expansion connectors.

4•4•13 Fast Ethernet Port Initially Enabled - LD13

When the yellow FETH ON LED is lit, it indicates that the fast ethernet port transceiver - the LXT970, is **initially** active. When it is dark, it indicates that the LXT970 is **initially** in power down mode, enabling the use of its associated FCC2 pins off-board via the expansion connectors. The state of LD13 is controlled by bit BCSR1/4.

This is a soft-indication, i.e., since the LXT970 may be controlled via the MII port, it is possible that the state of LD13 does not reflect correctly the status of the LXT970.

Note

Application S/W should always seek to match the state of LD13 to the status of the LXT970, so that, this indication is made reliable as to the correct status of the LXT970.

4•4•14 ATM ON - LD14

When the yellow ATM ON LED is lit, it indicates that the ATM-UNI transceiver - the PM5350, is active and enables communication via that medium. When it is dark, the ATM-UNI transceiver is disconnected from the MSC8101, enabling the use of its associated FCC1 pins off-board via the expansion connectors.

ATM ON LED is controlled by BCSR1/2.

4•4•15 T1-1 TDM Port 1 Enable - LD15

When the yellow T1-1 LED is lit, it indicates that T1/E1 QFALC port 1 is connected to the CPM TDMA1 port. When darkened, it designates that associated CPM TDMA1 lines may be used for the CODEC application, in case when CODEC LED is lit. The LD15 reflects the bit BCSR0/3 T1_1EN.

4•4•16 T1-234 TDM Ports 2,3,4 Enable - LD16

When the yellow T1-234 LED is lit, it indicates that T1/E1 QFALC ports 2-4 are available. When darkened, it designates that associated CPM's TDMB2, TDMC2, TDMD2 lines may be used for the other application, e.g. Fast Ethernet. The LD16 reflects the bit BCSR0/4 T1_234EN.

4•4•17 CODEC Enable - LD17

When the yellow CODEC LED is lit, it indicates that CODEC lines are connected to the CPM TDMA1 port instead of T1/E1 QFALC port 1. When darkened, the CODEC device is isolated from the bus by tri-state buffers. The LD17 reflects the bit BCSR1/1 CODEC_EN.

4•4•18 RUN Indicator - LD18

When the green RUN LED - LD18 is lit, it indicates that the MSC8101 is performing cycles on the PPC Bus. When dark, the Processor is either running internally or stuck.

4•4•19 Host I/F Enable - LD19

When the yellow Host I/F ON LED is lit, it indicates that the Processor implements HDI16 port. It's available on the Host connector P4 and expansion connectors P1, P2. When darkened, PPC Data Bus becomes 64-bit width with no Host I/F support.

4•4•20 1.5V Indicator - LD20

The green 1.5V LED - LD20, indicates the presence of the +1.5V supply with output voltage no less than 0.9V.

4•4•21 3.3V Indicator - LD21

The green 3.3V LED - LD21, indicates the presence of the +3.3V supply on the ADS.

4•4•22 5V Indicator - LD22

The green 5V LED - LD22, indicates the presence of the +5V external supply on the ADS.

4•5 The MSC8101's Registers' Programming

The MSC8101 provides the following functions on the MSC8101ADS:

- 1) System functions which include:

- PPC Bus SDRAM Controller
 - GPCM (Flash, BCSR, ATM, Ext. Tools)
 - UPM (QFALC, Ext. Tools)
- 2) Communication functions which include:
- ATM SAR
 - Fast Ethernet controller.
 - TDMs for T1/E1 and CODEC support
 - UART for terminal or host computer connection.

The internal registers of the MPC must be programmed after Hard reset as described in the following paragraphs. The addresses and programming values are in **Hexadecimal** base.

For better understanding the of the following initialization refer to the

4•5•1 System Initialization

Hard Reset Config. Word is programmed in Flash according to [TABLE 5-2. "Hard Reset Configuration Word" on page 40.](#)

TABLE 4-3. SIU Registers' Programming

<i>Register</i>	<i>Init Value[hex]</i>	<i>Description</i>
RMR	0001	Check-Stop Reset enabled.
IMMR	14700000	Internal space begins from 0x1470_0000
SYPCR	FFFFFFC3	Software watchdog timer count - FFFF, Bus-monitor timing FF, PPC Bus-monitor - Enabled, Local Bus-monitor - Enabled, S/W watch-dog - disabled, S/W watch-dog (if enabled) causes reset, S/W watch-dog (if enabled) - prescaled.
BCR	0000_0000	Single MSC8101, 0 wait-states on address tenure, 1-level Pipeline depth, Extended transfer mode disabled for PCC & Local Buses, Odd parity for PPC & Local Buses (not relevant for this application, External Master delay enabled, Internal space responds as 64 bit slave for external master (not relevant for this application).

4•5•1•1 Memory Controller Registers Programming

The memory controller on the MSC8101ADS is initialized to 50/100 MHz operation. I.e., registers' programming is based on 50/100 MHz timing calculation.

Warning

The initialization in TABLE 4-4. "Memory Controller Initialization for 100(50) MHz" below are based on design and are not verified yet, due to silicon availability problems.

TABLE 4-4. Memory Controller Initialization for 100(50)^a MHz

Reg.	Device Type	Bus	Init Value [hex]	Description
BR0	SM73228XG1JHBG0 by Smart Modular Tech.	Buffered PPC	FF801801	Base at FF800000, 32 bit port size, no parity, GPCM
	SM73248XG2JHBG0 by Smart Modular Tech.		FF001801	Base at FF000000, 32 bit port size, no parity, GPCM
	SM73288XG4JHBG0 by Smart Modular Tech.		FE001801	Base at FE000000, 32 bit port size, no parity, GPCM
OR0	SM73228XG1JHBG0 by Smart Modular Tech.		FF800866 (FF800836)	8MByte block size, CS early negate, 12(6) w.s., Timing relax
	SM73248XG2JHBG0 by Smart Modular Tech.		FF000866 (FF000836)	16MByte block size, CS early negate, 12(6) w.s., Timing relax
	SM73288XG4JHBG0 by Smart Modular Tech.		FE000866 (FE000836)	32MByte block size, CS early negate, 12(6) w.s., Timing relax
BR1	BCSR0-3	Buffered PPC	14501801	Base at 14500000, 32 bit port size, no parity, GPCM
OR1			FFFF8010 (FFFF8020)	32 KByte block size, all types access, 1 w.s. (32 KByte block size, all types access, 2 w.s.)
BR2	SDRAM 64bit Supported	Non-buffered PPC	20000041	Base at 20000000, 64 bit port size, no parity, SDRAM machine 1
OR2	MT48LC2M32B2T6-8x2 by Micron		FF003080	16MByte block size, 4 banks per device, row starts at A8, 11 row lines, internal bank interleaving allowed
BR2 ^b	SDRAM 32bit Supported	Non-buffered PPC with Host support	20001841	Base at 20000000, 32 bit port size, no parity, SDRAM machine 1
OR2 ^b	MT48LC2M32B2T6-8 by Micron		FF803280	8MByte block size, 4 banks per device, row starts at A9, 11 row lines, internal bank interleaving allowed
BR3 ^c	SDRAM 32bit Supported	Non-buffered PPC with Host support	20801841	Base at 20800000, 32 bit port size, no parity, SDRAM machine 1
OR3 ^c	MT48LC2M32B2T6-8 by Micron		FF803280	8MByte block size, 4 banks per device, row starts at A9, 11 row lines, internal bank interleaving allowed
BR4	QFALC - 4ch. T1/E1	Buffered PPC	146088A1	Base at 14608000, 8 bit port size, no parity, UPMB on PPC bus
OR4			FFFF8106	32K Byte block size, burst inhibit, eight idle cycle are inserted before next access

TABLE 4-4. Memory Controller Initialization for 100(50)^a MHz

Reg.	Device Type	Bus	Init Value [hex]	Description
BR5	PM5350 - ATM UNI	Buffered PPC	14600801	Base at 14600000, 8 bit port size, no parity, GPCM on PPC bus.
OR5			FFFF8E36	32K Byte block size, delayed CS assertion, early CS and WE negation for write cycle, relaxed timing, 7 w.s. for read, 8 for write, extended hold time after read.
BR6	User's peripheral	Buffered PPC	-	-
OR6			-	-
BR7	User's peripheral	Buffered PPC	-	-
OR7			-	-
BR10	DSPRAM	Local PPC	020000C1	Base at 200000, 64 bit port size, no parity, UPMC
OR10			FFF80000	512K Byte block size
BR11	DSP Peripherals	Local PPC	01F00021	Base at 1F00000, 64 bit port size, no parity, GPCM on local PPC bus.
OR11			FFFF0000	64K Byte block size
PSDMR	SDRAM 64bit	Non-buffered PPC	C26B36A3 (C2692452)	Page interleaving, Refresh enabled, normal operation, address muxing mode SDAM=2, A(15-17) on BNKSEL(0:2), A8 on PSDA10, 8(4) clocks refresh recovery, 3(2) clocks precharge to activate delay, 3(2) clocks activate to read/write delay, 4 beat burst length, 2(1) clock last data out to precharge, 2(1) clock write recovery time, Internal address muxing, normal timing, 3(2) clocks CAS latency.
	SDRAM 32bit	Non-buffered PPC with Host support	C28737A3 (C2432552)	Page interleaving, Refresh enabled, normal operation, address muxing mode 1, A(13-15) on BNKSEL(0:2), A9 on PSDA10, 8(4) clocks refresh recovery, 3(2) clocks precharge to activate delay, 3(2) clocks activate to read/write delay, 8 beat burst length, 2(1) clock last data out to precharge, 2(1) clock write recovery time, Internal address muxing, normal timing, 3(2) clocks CAS latency.
PSRT	SDRAM Supported	All PPC Bus Config.	22	Generates refresh every 14 μ sec, while 15.6 μ sec required. Therefore is refresh redundancy of 6.6 msec throughout full SDRAM refresh cycle which completes in 64 msec. I.e., Application s/w may withhold the bus upto app. 6.6 msec in a 57.3 msec period, without jeopardizing the contents of the PPC bus SDRAM.
MPTPR	SDRAM Supported		2800(1300)	Divide Bus clock by 40D (20D)

TABLE 4-4. Memory Controller Initialization for 100(50)^a MHz

<i>Reg.</i>	<i>Device Type</i>	<i>Bus</i>	<i>Init Value [hex]</i>	<i>Description</i>
MBMR	QFALC - 4ch. T1/E1 Read Access	Buffered PPC	10015400	60x bus select, refresh disable, write to UPM RAM, Read loop execute 5 times, first RAM address.
	Write Access		10015418	60x bus select, refresh disable, write to UPM RAM, Write loop execute 5 times, RAM address begins at 18H.
	Exception Access		1001543c	RAM address begins at 0x3c.
	Normal Operation		00015400	Execute at 0x0.

- a. Table values in parentheses reflect the lower frequency bus.
- b. With Host Enable.
- c. If additional SDRAM device U38SP will be assembled on the ADS (special requirement).

5 - Functional Description

In this chapter the ADS block diagram is described in detail.

5•1 Reset & Reset - Configuration

There are available reset sources on the MSC8101ADS:

- 1) Power-On-Reset and manual
- 2) Manual Hard-Reset
- 3) Manual Soft-Reset
- 4) JTAG/ONCE - Reset
- 5) MSC8101 internal Resets. See [4].

5•1•1 Power- On Reset

The power on reset to the MSC8101ADS initializes the processor state after power up. A dedicated logic, using Seiko S-80808AN, which is a voltage detector of 1.0V +/- 2.0% keeps nominal core power supplying. Its open-drain output scheme allows off-board RESET sources e.g. pulse generator. PORESET is asserted to the MSC8101ADS for a period of ~300 msec and keeps. This time period is long enough to cover also the Core and I/O supply stabilization, powered by a different voltage regulator. Power-On-Reset may be generated manually as well by a dedicated push-button.

5•1•1•1 Power - On Reset Configuration

At the end of Power - On reset sequence, MODCK(1:3) are sampled by the MSC8101 and together with two additional clock configuration bits and set the various clock modes of the MSC8101 system (dsp core, cpm, 60x bus). Selection between the MODCK(1:3) combination options is done by means of DIP-switches. See [TABLE 4-1. "Available Clock Mode Setting" on page 29](#).

Following Power-on reset sequence is the hard-reset sequence, within which, many other different options are configured (see [TABLE 5-2. "Hard Reset Configuration Word" on page 40](#)). MODCKs bits are sampled at hard-reset configuration, whenever hard-reset sequence is entered, they are influential only once - after power-on reset. If a hard reset sequence is entered later on, these bits although sampled, are don't care.

5•1•2 Manual Hard Reset

To allow run-time Hard-reset, when the Command Converter is disconnected from the MSC8101ADS and to support resident debuggers, manual Hard is facilitated. Depressing both Soft-Reset and ABORT buttons asserts the HRESET pin of the MSC8101, generating a HARD RESET sequence.

Since the HRESET line may be driven internally by the MSC8101, it must be driven to the MSC8101 with an open-drain gate. If off-board H/W connected to the MSC8101ADS is to drive HRESET line, then it should do so with an open-drain gate, this, to avoid contention over this line.

When Hard Reset is generated, the MSC8101 is reset in a destructive manner, i.e., the hard reset configuration is re-sampled and all registers (except for the PLL's) are reset, including memory controller registers - reset of which results in a loss of dynamic memory contents.

To save on board's real-estate, this button is not a dedicated one, but is shared with the Soft-Reset button and the ABORT button - when both are depressed, Hard Reset is generated. The Soft Reset is action achieved by using one dedicated button and provides DSP core reset only as well as JTAG reset without sampling reset configuration word.

5•1•3 Hard Reset Configuration

When Hard-Reset is applied to the MSC8101ADS (externally as well as internally), it samples the

Hard-Reset configuration word. This configuration may be taken from an internal default, in case $\overline{\text{RSTCONF}}$ is negated during $\overline{\text{HRESET}}$ asserted or taken from the Flash memory (MS 8 bits of the data bus) or Altera device^A in case $\overline{\text{RSTCONF}}$ signal is asserted along with $\overline{\text{HRESET}}$. Its meant Hardware Reset Configuration in different of Host Reset Configuration that available while HPE-Host Port Enable input of the MSC8101 is sampled high at the rising edge of $\overline{\text{PORESET}}$ the Host Port is enabled and a Configuration Word is got from Host I/F. The default configuration word can be taken from the Flash or from the Altera device in case the Flash has been tampered with. The selection between the Flash and the Altera device as the source of the default configuration word is determined by a dedicated jumper.

During hard reset sequence while Host Port Disable (HPE is low) the configuration master reads the Flash (or Altera device) memory at addresses 0, 8, 0x18, 0x20,... a byte each time, to assemble the 32 bit configuration word. If the HPE pin and $\overline{\text{RSTCONF}}$ are sampled high the Host Port is enable by Slave Configuration Reset mode. The Host device which must not be MSC8101 write two 16-bit words to program 32-bit Reset Conf. Word. See a table below including the several boot mode.

TABLE 5-1 Summary Reset Configuration Schemes.

Signal/ Config. Mode	$\overline{\text{RSTCONF}}$	HPE/EE1	EE0/DBG	EE[4-5]/BTM[1-0] Boot Mode
MASTER	0	0	0 - Debug Mode Enable 1- Debug Mode Disable	00-From ext. memory 01-From HOST 10-From EEPROM 11- Reserved
HOST	1	1		

For Debug and Boot Mode setting will be used separate DIP switch array. EEs and EED pins are controlled from another DIP switch and may be read out from status register of the BCSR3.

The following table describes The Hard Reset Config. Word field values:

TABLE 5-2. Hard Reset Configuration Word

Field	Data Bus Bits	Prog Value [Bin]	Implication	Offset In Flash [Hex]	Value [Hex]
EARB	0	'0'	Internal Arbitration Selected.	0	2C
EXMC	1	'0'	Internal Memory Controller. $\overline{\text{CS0}}$ active at system boot.		
$\overline{\text{IRQ7INT}}$	2	'1'	$\overline{\text{INT_OUT}}$ function is active		
EBM	3	'0'	Single Quartz001 bus mode is assumed		
BPS	4:5	'11'	32 Bit Boot Port Size for both Flash memory and BCSR		
SCDIS	6	'0'	SC140 enabled		
ISPS	7	'0'	Internal space port size for ext. master access is 64 bit. Don't care since this feature is not supported for the current board configuration.		

A. In general, from any device residing on $\overline{\text{CS0}}$.

TABLE 5-2. Hard Reset Configuration Word

Field	Data Bus Bits	Prog Value [Bin]	Implication	Offset In Flash [Hex]	Value [Hex]
IRPC	8:9	'00'	Interrupt pin configuration. NC/BADDR(29)/ <u>IRQ2</u> ,NC/BADDR(30)/ <u>IRQ3</u> ,NC/BADDR(31)/ <u>IRQ5</u> are selected as NC (not connect)	8	00
DPPC	10:11	'00'	Data Parity Pin configuration as <u>IRQ</u> [1:7].		
NMIOUT	12	'0'	NMI interrupt is serviced by the core.		
ISB	13:15	'000'	IMMR initial value 0x0, i.e., the internal space resides initially at address 0xF000000		
BMS	16	'0'	Non-functional cleared bit.	10	02
BBD	17	'0'	Bus busy pins set: <u>ABB</u> / <u>IRQ2</u> pin is <u>ABB</u> <u>DBB</u> / <u>IRQ3</u> pin is <u>DBB</u>		
Reserved	18:21	'0000'	Must be cleared		
TCPC	22:23	'10'	Transfer code pins are configured following way after <u>PONRESET</u> : MODCK1/ <u>BNKSEL</u> (0)/ <u>TC</u> (0) as <u>BKSEL0</u> MODCK2/ <u>BNKSEL</u> (1)/ <u>TC</u> (1) as <u>BKSEL1</u> MODCK3/ <u>BNKSEL</u> (2)/ <u>TC</u> (2) as <u>BKSEL2</u>		
BC1PC	24:25	'00'	Buffer control 1-pin configuration <u>BCTL1</u> / <u>DBG_DIS</u> ~ functions as <u>BCTL1</u>	18	1E
Reserved	26	'0'	Reserved. Should be cleared.		
DLLDIS ^a	27	'1'	No DLL bypass when value is zero. Controlled with jumper JP1		
MODCK_HI	28:30	'111'	High-order bits of the MODCK array i.e. MODCK[4-6]. Set Clock Mode 57. See [4].		
Reserved	31	'0'	Reserved. Should be cleared.		

a. Applies only ONCE after power-up reset.

When HCW is applied from Flash (SW9/7 is ON) DLLDIS and MODCK_HI bits have value shown in table. In case of HCW source will be from BCSR (SW9/7 is OFF) those bits set up manually - DLLDIS is controlled by JP1 and MODCK_HI - by DIP-switch SW9/4-6.

5•1•4 Manual Soft Reset

To allow run-time Soft-reset, when the Command Converter is disconnected from the JTAG/ONCE connector and to support resident debuggers, a Soft Reset push-button is provided. When the Soft Reset push-button is depressed, the SRESET line is asserted to the MSC8101, generating a Soft Reset sequence.

Since the SRESET line may be driven internally by the MSC8101, it must be driven by an open-drain gate, to avoid contention over that line. If off-board H/W connected to the MSC8101ADS is to drive SRESET line, then, it should do so with an open-drain gate, this, to avoid contention over this line.

5•1•5 MSC8101 Internal Hard Reset Sources

The MSC8101 has internal sources which generate Hard / Soft Resets. Among these sources are:

- 1) Loss of Lock Reset (Hard)
- 2) S/W Watch Dog Reset (Hard)
- 3) Bus Monitor (Hard)
- 4) JTAG/ONCE Reset (Hard)

In general, the MSC8101 asserts a reset line HARD or SOFT for a period 512 clock cycles after the reset source has been identified. A hard reset sequence is followed by a soft reset sequence that released three bus clocks later than hard reset is negated.

5•2 Local Interrupter

There are external interrupts which are applied to the MSC8101ADS via its interrupt controller:

- 1) ABORT (NMI)
- 2) ATM UNI interrupt

5•2•1 ABORT Interrupt

The ABORT (NMI), is generated by a push-button. When this button is depressed, the $\overline{\text{IRQ0}}$ input to the MSC8101 is asserted. The purpose of this type of interrupt, is to support the use of resident debugger if any is made available to the MSC8101ADS. To support external (off-board) generation of an NMI, the $\overline{\text{IRQ0}}$ line, is driven by an open-drain gate. This allows for an external h/w, to also drive this line. If an external h/w indeed does so, it is compulsory that $\overline{\text{IRQ0}}$ is driven by an open-drain (or open-collector) gate.

5•2•2 ATM UNI Interrupt

To support ATM UNI (User Network I/F) event report by means of interrupt, the interrupt output of the UNI (INTB) is connected to $\overline{\text{IRQ6}}$ line of the MSC8101.

Since INTB of the UNI is an open-drain output, it is possible to connect additional (off-board) interrupt requesters on the same $\overline{\text{IRQ6}}$, provided that they drive $\overline{\text{IRQ6}}$ with open-drain gate as well.

5•2•3 QFALC Interrupt

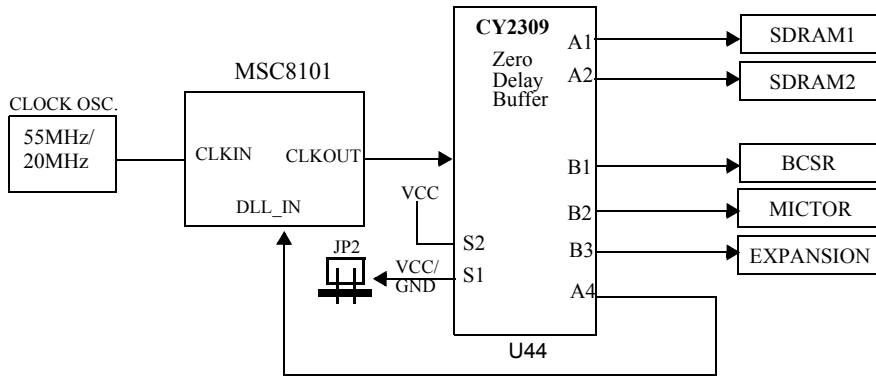
Interrupt of T1/E1 Frame are served by $\overline{\text{IRQ7}}$. The QFALC has an open-drain output, therefore it is possible to connect additional (off-board) interrupt requesters on the $\overline{\text{IRQ7}}$ line, the same way as $\overline{\text{IRQ6}}$.

5•3 Clock Generator

The MSC8101 requires a single clock source for the main clock oscillator. Use is done with 25MHz (16.38MHz) 3.3V clock generator mounted on the 14-pin DIP socket for simpler changing. Also clock may be provided from external clock generator (reference) via SMB-connector. All MSC8101 PPC bus timings are referenced to the clock output of the DSP. The CLKOUT is connected to a low inter-skew buffer to split the load between all various clock consumers on the board. One of the channel intends for the MSC8101 DLL input to eliminate buffer and path propagation delay.

Special care is taken to isolate and terminate the clock route between the on-board devices and the MSC8101, this to provide a "clean" clock for proper operation. The main clock scheme is shown in figure below:

FIGURE 5-1 Clock Distribution Scheme



The Zero Delay Buffer CY2309 distributes high speed clock with skew less 250ps when internal PLL is ON. Select inputs S1,S2 allow to the input clock be directly applied to the output with propagation delay of regular clock buffer about 5ns. See available working modes in [TABLE 4-2. "JP1/JP2 Settings"](#).

5.4 Bus Buffering

In order to achieve best performance, it is necessary to reduce the capacitive load over the PPC bus as much as possible. Therefore, the slower devices on the bus, i.e., the Flash SIMM, ATM UNI M/P interface, BCSR and the external tool bus are buffered, while the SDRAM devices are not buffered from the bus.

Buffers are provided over address and strobe (when necessary) lines while transceivers are provided for data. Use is done with 74ALVT buffers (by Philips) which are 3.3V operated and 5V tolerant^A and provide bus hold to reduce pull-up/pull-down resistors count (as required by the MSC8101). This type of buffers reduces noise on board due to reduced transition's amplitude.

To further reduce noise and reflections, serial damping resistors may be added are placed over SDRAM address and all MSC8101 strobe lines.

The data transceivers are open only if there is an access to a valid^B buffered board address or during Hard - Reset configuration^C. That way data conflicts are avoided in case an unbuffered memory read or off-board memory is read - provided that it is not mapped to an address valid on board. It is the users' responsibility to avoid such errors.

5.5 Chip - Select Generator

The memory controller of the MSC8101 is used as a chip-select generator to access on-board (and off-board) memories, saving board's area, reducing cost, power consumption and increasing flexibility. To enhance off-board application development, memory modules (including the BCSR^D) may be disabled via BCSR^D in favor of an external memory connected via the expansion connectors. That way, a CS line may be used off-board via the expansion connectors, while its associated local memory is disabled.

When a CS region, assigned to a buffered^E memory, is disabled via BCSR, the local data trans-

A. Required for Flash SIMM and BCSR

B. An address which is covered in a Chip-Select region, that controls a buffered device by BCSR logic.

C. To allow a configuration word stored in the Flash memory or BCSR to become active.

D. After the BCSR is removed from the local memory map, there is no way to access it but to re-apply power to the MSC8101ADS.

ceivers are disabled during access to that region, avoiding possible^A contention over data lines. The MSC8101 chip-selects assignment to the various memories / registers on the MSC8101ADS are shown in [TABLE 5-3](#).

TABLE 5-3. MSC8101ADS Chip Select Assignments

Chip Select	Assignment	Bus	Timing Machine
$\overline{CS0}$	Flash SIMM /BCSR Config Word	PPC (Buffered)	GPCM
$\overline{CS1}$	BCSR	PPC (Buffered)	GPCM
$\overline{CS2}$	SDRAM(soldered on the board)	PPC (Unbuffered)	SDRAM Machine 1
$\overline{CS3}$	SDRAM spare (soldered on the board)	PPC (Unbuffered)	SDRAM Machine 1
$\overline{CS4}$	QFALC T1/E1	PPC (Buffered)	UPMB
$\overline{CS5}$	ATM UNI Microprocessor I/F	PPC (Buffered)	GPCM
$\overline{CS6}$	Communication Tool M/P Interface CS1	PPC (Buffered)	GPCM/UPMA ^a
$\overline{CS7}$	Communication Tool M/P Interface CS2	PPC (Buffered)	GPCM/UPMA ^a
$\overline{CS10}$	DPSRAM	Internal Local PPC	UPMC
$\overline{CS11}$	DSP Peripherals	Internal Local PPC	GPCM

a. User defined.

5.6 Synchronous DRAM Bank

To enhance MSC8101ADS performance, 16MBytes of SDRAM is provided on the Unbuffered PPC Bus for storage and fast data exchange. The SDRAM is configured as 2 X 2Meg X 32. Use is done with two MT48LC2M32B2 chips by Micron or compatibles (Samsung). The part data sheet may be obtained on the Internet at URL: <http://www.micron.com/mti/msp/htm/datasheet.html>.

Since it includes only 2 memory chips, the SDRAM is unbuffered from the MSC8101, avoiding the delay associated with address and data buffers. As the volume of this sdram is far beyond any possible future requirement, the SDRAM is soldered directly to the board.

In order to provide Host Interface held a half of the Data Bus (32bits of 64bits wide) width the DIP switch array is present. It allows to shift address field by one bit A28->A29, A27->A28, A12->A13. In this case we can use one from two SDRAM chip, therewith the second chip will be disable with BCSR's control bit - memory space will be decreased by half. The system bus of the MSC8101 is very fast and run up to 100MHz, therefore any type of logic for address mux puts large timing penalty and impossible. The mux is done by jumper's array. See [FIGURE 5-2 "SDRAM Connection Scheme" on page 45](#).

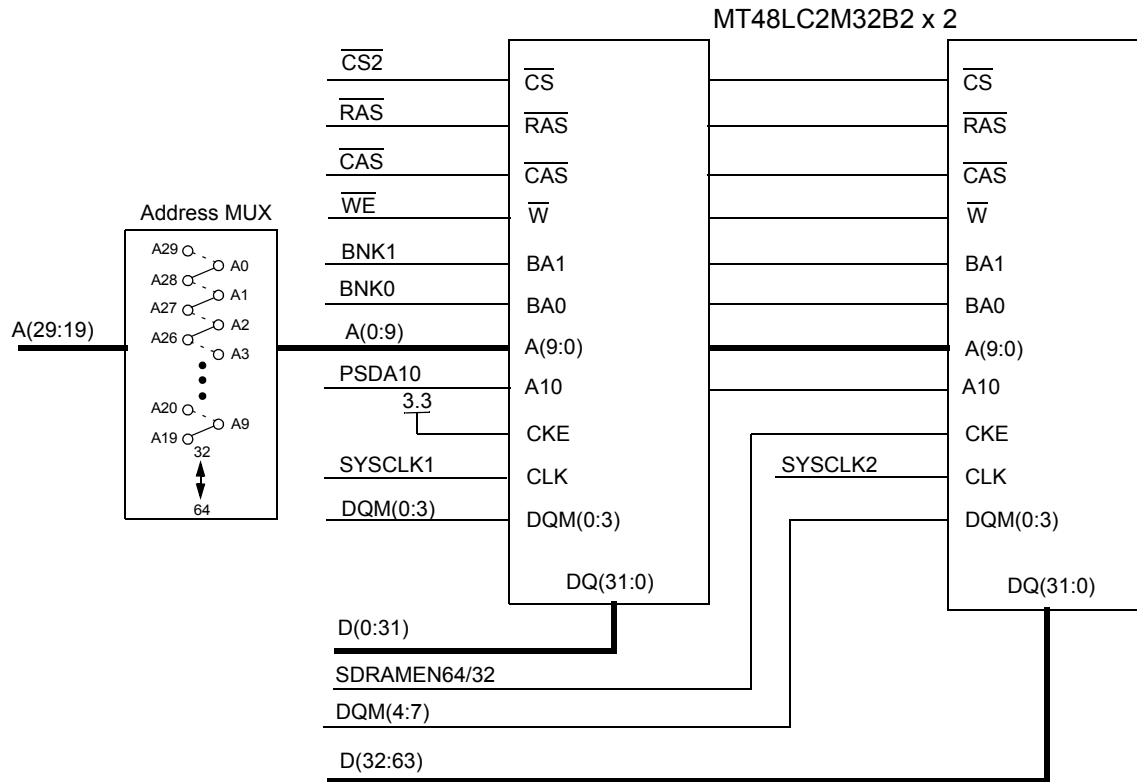
The SDRAM's timing is controlled by the 1'nd SDRAM machine of the MSC8101, which will be

E. When an unbuffered CS region is being accessed, buffers do not open anyway.

A. During read cycles.

assigned to a CS line according to [TABLE 5-3. "MSC8101ADS Chip Select Assignments"](#) on page 44.

FIGURE 5-2 SDRAM Connection Scheme



5•6•1 SDRAM Programming

After power-up, SDRAM needs to be initialized by means of programming, to establish its mode of operation. The SDRAM is programmed by issuing a Mode Register Set command. During that command data is passed to the Mode Register through the SDRAM's address lines. This command is fully supported by the SDRAM machine of the MSC8101.

Mode Register programming values are shown in [TABLE 5-4. "100 MHz SDRAM Mode Register Programming"](#) below:

TABLE 5-4. 100 MHz SDRAM Mode Register Programming

SDRAM Address Line ^a	SDRAM Mode Reg Field	Value	Meaning:
A10	Reserved	'0'	Should program zero
A9	WB	'0'	Read & Write Burst Access
A8, A7	Operation Mode	'00'	Standard Operation
A6 - A4	CAS Latency	3/2 ^b	CAS Latency
A3	Burst Type	'0'	Sequential
A2 - A0 (LSB)	Burst Length	'010'/'011' ^c	4/8 Word Burst Length

a. Actually SDRAM's A0 is connected to MSC8101 A29/A28 address line (32/64 bit width mode)

- b. Two clocks latency setting is programmed for 50MHz Bus Clock
- c. 8 beat burst is programmed for 32bit Data Bus width (Host Interface is active)

5•6•2 SDRAM Refresh

The SDRAM is refreshed using its auto-refresh mode. I.e., using SDRAM machine 1's periodic timer, an auto-refresh command is issued to the SDRAM every 14 μsec, so that all 4096^A SDRAM rows are refreshed within spec'd 57.3 msec, while leaving a 6.6msec interval of refresh redundancy within that window, as a safety measure, covering for possible delays in bus availability for the refresh controller.

5•7 Flash Memory SIMM

The MSC8101 is provided with 8Mbyte of 90 nsec flash memory SIMM, the SM73228XG1JHBGO by Smart Modular Technology which is composed of four LH28F016SCT-L95 chips by Sharp, arranged as 2M X 32 in a single bank. Support is given also to 16MBytes and 32 MBytes Simm's. The Flash SIMM resides on an 80 pin SIMM socket and is buffered from the 60X bus to reduce capacitive load over it.

To minimize use of MSC8101s' chip-select lines, only one chip-select line $\overline{CS0}$ is used to select the Flash as a whole, while distributing chip-select lines among the module's internal banks is done by on-board programmable logic (BCSR), according to the Presence-Detect lines of the Flash SIMM inserted to the MSC8101ADS.

The access time of the Flash memory provided with the MSC8101ADS is 95 nsec, however, devices with different delay are supported as well. By reading the delay section of the Flash SIMM Presence-Detect lines see [TABLE 5-13. "Flash Presence Detect \(7:5\) Encoding" on page 59](#), the debugger can establish via register OR0 the correct number of wait-states needed to access the Flash SIMM (considering default system clock frequency).

The control over the Flash is done with the GPCM and a dedicated $\overline{CS0}$ region which controls the whole bank. During hard - reset initialization^B, the debugger or any application S/W for that matter, reads the Flash Presence-Detect lines via BCSR and determines how to program registers BR0 & OR0, within which the size and the delay of the region are determined. The performance of the flash memory is shown in [TABLE 5-5.](#):

TABLE 5-5. Flash Memory Projected Performance Figures

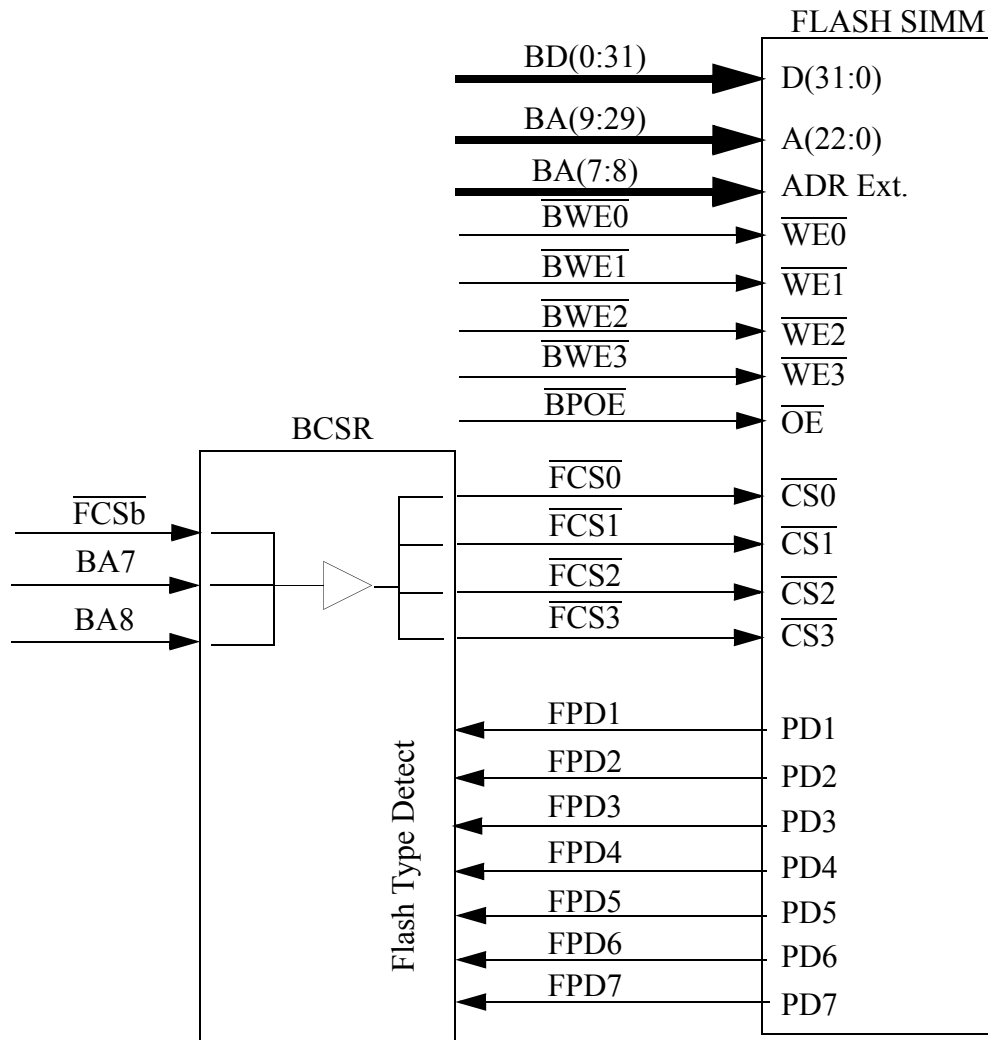
	Number of System Clock Cycles @ 100 MHz Bus Clock Freq.
Cycle Type \ Flash Delay [nsec]	95
Read Access	10 ^a
Write ^b Access	10 ^a

- a. From \overline{TS} asserted. However, due to internal activity, these figures may be larger.
- b. The figures in the table refer to the actual write access. The write operation continues internally and the device has to be polled for completion.

The Flash connection scheme is shown in [FIGURE 5-3](#):

A. In fact each SDRAM component is composed of 4 internal banks each having 4096 rows, but they are re-freshed in parallel.
 B. i.e., initialization that follow the hard reset sequence at system boot.

FIGURE 5-3 FLASH SIMM Connection Scheme



As can be seen in [FIGURE 5-3](#), the FLASH $\overline{\text{CS}}$ is distributed to four $\overline{\text{CS}}$ signals. The distribution depends on the size of the FLASH module installed - it is read by the BCSR using the PD(1-7) pins.

5•7•1 Flash Programming Voltage

Support is given to modules that require 5V for programming. The 5V voltage for programming is taken from the main board voltage supply or 12V from external power supply in protection mode.

5•8 Communication Ports

The MSC8101ADS includes several communication ports, to allow convenient evaluation of CPM "Highlights". Obviously, it is not possible to provide all types of communication interfaces supported by the CPM, but it is made convenient to connect communication interface devices to the MSC8101 via the CPM Expansion connectors, residing on the edge of the board.

The communication ports' interfaces provided on the MSC8101ADS are listed below:

- 1) 155 Mbps ATM UNI on FCC1 with Optical I/f, connected via UTOPIA I/F.
- 2) 100/10-Base-T Port on FCC2 with T.P. I/F, MII controlled.
- 3) Four T1/E1 ch. on TDMA1,-B2,-C2,-D2 ports.
- 4) Audio CODEC on TDMA1A.
- 5) Dual RS232 port residing on SCC1 & SMC1.

Not all peripherals are available at once.

For understanding Communication Ports compatibility see [TABLE 5-6. "Ports Function Enable" on page 49.](#)

TABLE 5-6. Ports Function Enable

MSC8101 I/O Ports/Name	ADS On-Board Peripherals							DMA Ext. Tool	Possible Collision
	QFALC on				CODEC on TDMA1	Fast Et on FCC2	ATM8 on FCC1		
	T1/E1 TDMA1	T1/E1 TDMB2	T1/E1 TDMC2	T1/E1 TDMD2					
PA6/TDMA1-L1RSYNC	+				+				✓
PA7/TDMA1-L1TSYNC									
PA8/TDMA1-L1RXD0	+				+				✓
PA9/TDMA1-L1TXD0	+				+				✓
PA14/MIIRXD3/ATM8-RXD4							+		
PA15//MIIRXD2/ATM8-RXD5							+		
PA16/MIIRXD1/ATM8-RXD6							+		
PA17/MIIRXD0/ATM8-RXD7							+		
PA18/MIITXD0/ATM8-TXD7							+		
PA19/MIITXD1/ATM8-TXD6							+		
PA20/MIITXD2/ATM8-TXD5							+		
PA21/MIITXD3/ATM8--TXD4							+		
PA26/MIIRXER/ATM8-RxClav							+		
PA27/MIIRXDV/ATM8-RxSOC							+		
PA28/MIITXEN/ATM8-RxEnb							+		
PA29/MIITXER/ATM8-TxSOC							+		
PA30/MIICRS/ATM8-TxClav							+		
PA31/MIICOL/ATM8-TxEnb							+		
PB18/MIIRXD3						+			
PB19/MIIRXD2							+		
PB20/TDMD2-L1RSYNC/MIIRXD1				+		+			✓
PB21/TDMD2-L1TSYNC/MIIRXD0						+			
PB22//TDMD2-L1RXD/MIITXD0				+		+			✓
PB23//TDMD2-L1TXD/MIITXD1				+		+			✓
PB24/TDMC2-L1RSYNC/MIITXD2			+			+			✓
PB25/TDMC2-L1TSYNC/MIITXD3						+			
PB26/TDMC2-L1RXD/MIICRS			+			+			✓
PB27/TDMC2-L1TXD/MIICOL			+			+			✓
PB28/TDMB2-L1TSYNC/MIIRXER						+			
PB29/TDMB2-L1RSYNC/MIITXEN		+				+			✓
PB30/TDMB2-L1RXD/ATM8-MIIRXDV		+				+			✓
PB31/TDMB2-L1TXD/MIITXER		+				+			✓
PC22/CLK10/IDMA1- $\overline{\text{DRE}}\overline{\text{Q}}$									
PC23/TDMD2-L1RXCLK(CLK9)/IDMA1- $\overline{\text{DACK}}$				+					
PC24/CLK8/IDMA2- $\overline{\text{DRE}}\overline{\text{Q}}$									
PC25/TDMC2-L1RXCLK(CLK7)/IDMA2- $\overline{\text{DACK}}$			+						
PC26/CLK6							+		
PC27/TDMB2-L1RXCLK(CLK5)		+							
PC28/CLK4						+			
PC29/CLK3						+			

TABLE 5-6. Ports Function Enable

MSC8101 I/O Ports/Name	ADS On-Board Peripherals							DMA Ext. Tool	Possible Collision
	QFALC on				CODEC on TDMA1	Fast Et on FCC2	ATM8 on FCC1		
	T1/E1 TDMA1	T1/E1 TDMB2	T1/E1 TDMC2	T1/E1 TDMD2					
PC30/TDMA1-TXCLK(CLK2)								+	
PC31/TDMA1-RXCLK(CLK1)	+				+			+	✓
PD30/IDMA2-DRACK/IDMA2-DONE								+	
PD31/IDMA1-DRACK/IDMA1-DONE								+	

5•8•1 ATM Port

To support the MSC8101 ATM controller, a 155.52Mbps User Network Interface (UNI) is provided on board, connected to FCC1 of the MSC8101 via UTOPIA I/F. Use is done with PM5350 S/UNI-155-ULTRA by PMC-SIERA. Although these transceivers are capable of supporting 51.84Mbps rate, support is given only to the higher rate.

The control over the transceiver is done using the microprocessor i/f of the transceiver, controlled by the MSC8101 memory controller's GPCM. Since the UNI is 5V powered and the MSC8101 3.3V powered (5V intolerant), the UNI is buffered (LCX buffers) from the MSC8101 on both the receive part of UTOPIA I/F and MP control ports.

The ATM transceiver may enabled / disabled at any time by writing '0' / '1' to the ATMEN~ bit in BCSR1/2. When ATMEN~ is negated, ('1') the MPcontrol port is also detached from the MSC8101 and its associated FCC1 may be used off-board via the expansion connectors.

The ATM transceiver reset input is driven by HRESET~ signal of the MSC8101, so that the UNI is reset whenever a hard-reset sequence occurs. The UNI may also be reset by either asserting ATM_RST bit in BCSR1/3 or by asserting ('1') the RESET bit in the Master Reset and Identify / Load Meters register via the UNI MP I/F.

The UNI transmit and receive clocks is fed with a 19.44 MHz +/- 20 ppm, clock generator, 5 V powered, while the receive and transmit FIFOs' clock is provided by the MSC8101, optionally from the same clock or separate clocks, hard-configured.

The ATM SAR is connected to the physical medium by an optical I/F. Use is done with HP's HFBR 5205 optical I/F, which operates at 1300 nm with upto 2 Km transmission range.

5•8•2 100/10 Base - T Port

A Fast Ethernet port with T.P. (100-Base-TX) I/F is provided on the MSC8101ADS. This port is also support 10 Mbps ethernet (10-Base-T) via the same transceiver - the LXT970 by Level One.

The LXT970 is connected to FCC2 of the MSC8101 via MII interface, which is used for both - device's control and data path. The initial configuration of the LXT970 is done be setting desired values at 8 configuration signals: FDE, CFG(0:1) and MF(0:4). The MF(0:4) pins however, are controlled by 4 - voltage levels, this to allow each pin to configure two functions. On the MSC8101ADS these pins is driven by factory set 0Ω resistors, connected to a voltage divider, allowing future option change during production.

The LXT970 reset input is driven by HRESET~ signal of the MSC8101, resetting the transceiver whenever hard-reset sequence is taken. The LXT970 may also be reset by either asserting the FETH_RST bit in BCSR1/5 or by asserting bit 0.15 (MSB of LXT970 control register) via MII I/F.

To allow external use of FCC2, its pins is appear at the CPM expansion connectors and the

ethernet transceiver may be Disabled / Enabled at any time via the MII's MDIO port.

The LXT970 is able to interrupt the MSC8101, this via IRQ7~ line. This line is shared also with the CPM expansion connectors. Therefore, any tool that is connect to IRQ7 or IRQ6~ for that matter, should drive these lines only with an Open Drain buffer.

5•8•3 Audio CODEC

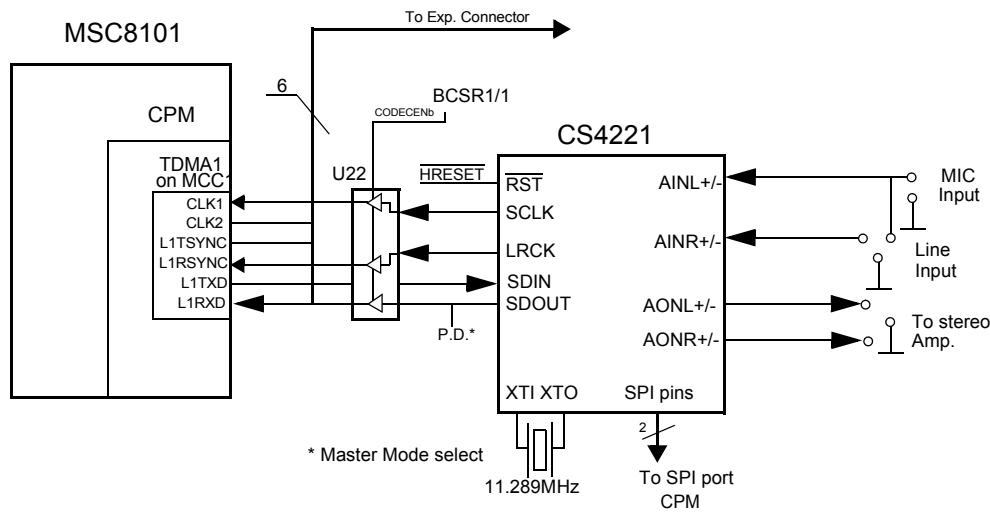
The CS4221 is a highly integrated, high performance, 24-bit, audio CODEC providing stereo ADC and stereo DAC converters using delta-sigma conversion techniques. The device operates from a single +5V power supply and provides digital interface 3.3V.

Control for the functions available on the CODEC device over SPI port of the MSC8101.

External crystal must be equal 11.289MHz for master mode with sample rate frequency Fs equal to 44.1kHz.

The chip controlled by CODEC_EN bit in BCSR1/1. To enable CODEC device operation the CODEC_EN bit should be set to zero (default setting).

FIGURE 5-4 MSC8101 to CODEC connection.



5•8•3•1 CS4221 Programming

After power-up the CODEC device needs to be initialized over SPI port of the CPM. The pull-down resistor on SDOUT pin causes the part operates in Clock Master Mode. To communicate with the CS4221 the chip address field must be '001000'. The control register contains eight bytes which are selected by memory address pointer of three LSB. The programming values are shown in TABLE 5-7. "CS4221 Programming" below:

TABLE 5-7. CS4221 Programming

Byte Num.	Function	Value	Meaning:
1	ADC Control	'0'	Default. Normal mode. High Pass Filter active
2	DAC Control	'0/60'	Default/Both channels are muted
3,4	OUT Attenuator Data	'00'	Default. No attention.
5	DSP Mode	'0F'	44.1 kHz de-emphasis setting, I/O serial data format is right justified 20 bit

TABLE 5-7. CS4221 Programming

Byte Num.	Function	Value	Meaning:
6	Converter Status	-	Read only
7	Master Clock	'0'	Default. Crystal frequency is equal to 256x Fs

5•8•4 T1/E1 Ports

The QFALC framer supports four T1/E1 and contains analog and digital function blocks, which are configured and controlled by MSC8101. Due to its multitude of implemented functions, it fits to a wide range of networking applications and fulfills the according international standards.

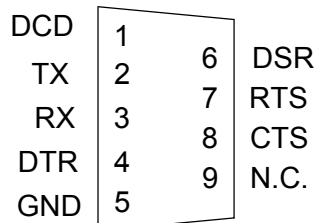
External clock oscillator is mounted on the DIP socket to provide easy changing for both T1 and E1. The QFALC reset input is driven by FRMRST~ signal of the BCSR0/5. Due the MSC8101 I/O pins functional limitation, T1/E1 2,3,4 channels are available when Fast Ethernet MII pins will be set to Hi-Z (FETHIEN bit is asserted) and T1/E1 1-th channel is available, when the CODEC is disable (T1_234CODEN is negated) and vice versa. See [TABLE 5-6. on page 49.](#)

5•8•5 RS232 Ports

To assist user's applications and to provide convenient communication channels with both a terminal and a host computer, two identical RS232 ports is provided on the MSC8101ADS, connected to SCC1 and SMC1 ports of the MSC8101. Use is done with MC145583 transceiver which generates RS232 levels internally using a single 3.3V supply and has shutdown mode, during which receive buffers are tri-stated. When the RS232EN1 or RS232EN2 bits in BCSR1/6-7 is asserted (low), the corresponding transceiver is enabled. When negated, the corresponding transceiver is enter standby mode, within which the receiver outputs are tri-stated, enabling use of the corresponding port's pins, off-board via the expansion connectors.

In order of saving board space, 9 pins, female D-Type stacked connector is used, configured to be directly (via a flat cable) connected to a standard IBM-PC like RS232 connector. RS-232 Ports' Signal Description the list below, the directions 'I', 'O', and 'I/O' are relative to the MSC8101ADS board. (I.e. 'I' means input to the MSC8101ADS).

FIGURE 5-5 RS232 Serial Ports' Connector



- CD (O) - Data Carrier Detect. This line is always is asserted by the MSC8101ADS.
- TX (O) - Transmit Data.
- RX (I) - Receive Data.
- DTR (I) - Data Terminal Ready. This signal is used by the software on the MSC8101ADS

to detect if a terminal is connected to the MSC8101ADS board.

- DSR^A (O) - Data Set Ready. This line is always asserted by the MSC8101ADS.
- RTS (I) - Request To Send. This line is not connected in the MSC8101ADS.
- CTS (O) - Clear To Send. This line is always asserted by the MSC8101ADS.

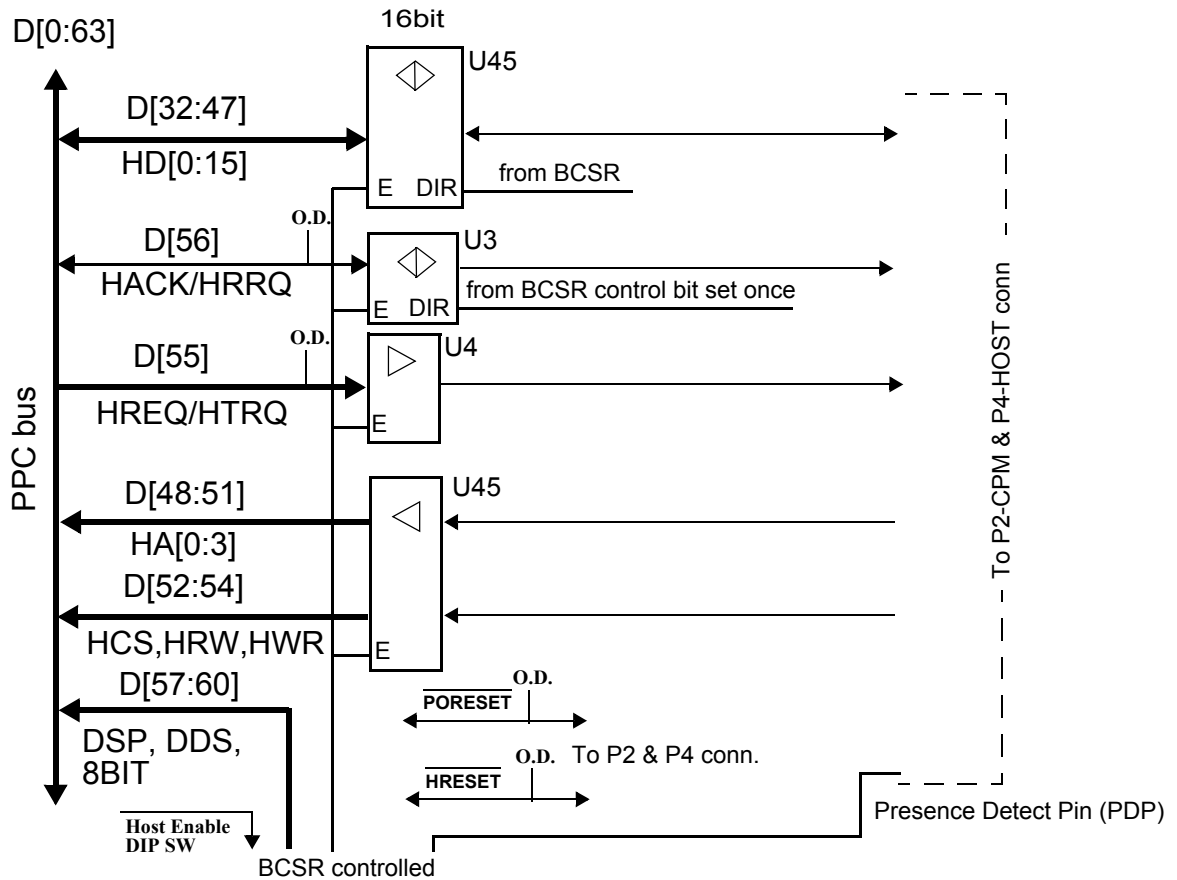
5-9 Host I/F

Host processor may be connected through 16bit-wide^B bidirectional parallel port multiplexed with 32 LSB^C of MSC8101 Data bus. The Host I/F will be driven after hard-reset sequence if HPE pin is sampled high at the rising edge of PORESET. Since MSC8101 Data bus has 64bit width in 60x mode to provide Host I/F disconnect additional buffers will be needed. These buffers are enabled by BCSR control line. Host Dual Data Strobe (DDS), Data Strobe Polarity (DSP), Chip Select Polarity (CSP) lines and HRRQ/HACK direction are controlled by corresponding bits of the BCSR0/1-2. See FIGURE 5-6 "Host Interface Diagram" below.

Buffer/transceivers are 5V compliant.

Host Port is also available via two row header 36 pins.

FIGURE 5-6 Host Interface Diagram



The MSC8101 CPM ports are poorer than the MPC8260 CPM, therefore Host I/F bus may be driven outside through CPM Expansion Connector in place of unusable lines. Since the CPM Ex-

A. Since there are only 3 RS232 transmitters in the device, DSR is connected to CD.
 B. 8-bit mode is also available for HDI8 I/F.
 C. Really 28pins are used for Host interface.

pansion Connector is using for off-board tools (ECOM,DMA e.g.) it's necessary to avoid signal collisions. For this purpose Host I/F buffers should be disabled for external non-dedicated tools. The placement Host I/F signals is shown in the following table.

TABLE 5-8. Host I/F Interconnect signals

Con/Pin No.	Signal Name	Shadow Signal (For MPC8260ADS)	Description
P2/A24	HWRDS	PD8	Data Strobe (HDS)/Write Strobe (HWR)
P2/A23	HRDRW	PD9	Read Write Select (HRW)/Read Strobe (HRD)
P2/A22	HCS1	PD10	Host Chip Select
P2/A21	HCS2	PD11	Global Host Chip Select
P2/B31-B32	HD(14:15)	PA(1:0)	Host Data bits 14-15
P2/C15-C28	HD(0:13)	PB(17:4)	Host Data bits 0-13
P2/D21	HREQTRQ	PC11	Host Request/Host Transmit Request
P2/D24	HRRQACK	PC8	Host Receive Request/Host Acknowledge
P2/D29-D32	HA(0:3)	PC(3:0)	Host Address bits 0-3.
P2/A30,C30	PDP	GND	Presence Detect Pins - should be pull-upped on the ADS. If etx. tool has these pins grounded Host buffer will be disabled combinatorially. The pins must remain disconnected for Host I/F tool.
P1/C10	HRESETb	HRESET~	Hard Reset
P1/B20	PORSTb	N.C.	Output of Host to asserts PORESET on the ADS to start Host Configuration sequence.

5-10 DMA off-board tool

The MSC8101 has multi-channel DMA connected to both PPC and Internal Local Bus. The DMA supports flyby transfer between peripheral and memory when they have the same port size. For testing flyby mode will be used off-board tool consists FIFO's array and control logic placing on the wire-wrap prototype board. This tool allows to check DRACK (DMA Request Logic) and DONE logic. The tool will be connected to CPM Expansion Connectors.

5-11 Board Control & Status Register - BCSR

Most of the hardware options on the ADS are controlled or monitored by the BCSR, which is a 32 bit wide read / write register file. BCSR resides over the PPC Bus, accessed via the MSC8101's memory controller (see [TABLE 5-3. "MSC8101ADS Chip Select Assignments" on page 44](#)) and in fact includes 8 registers: BCSR0 to BCSR7. Since the minimum block size for a CS region is 32KBytes and only A(27:29) lines are decoded by the BCSR for register selection, BCSR0 - BCSR7 are duplicated many times inside that region. See also [TABLE 1-1. "MSC8101ADS Specifications" on page 12](#).

The following functions are controlled / monitored by the BCSR:

- 1) PPC Data Bus width 64/32 bits.
- 2) CODEC Enable/Disable.
- 3) QFALC:

- Buffers Enable/Disable.
- Device Reset.
- 4) Host Interface which includes:
 - Buffers Enable/Disable
 - Host Acknowledge Enable
- 5) ATM Port Control which includes:
 - Transceiver Enable / Disable
 - Device Reset.
- 6) Fast Ethernet Port Control which includes:
 - Transceiver Initial Enable
 - Device Reset
- 7) RS232 port 1 Enable / Disable.
- 8) RS232 port 2 Enable / Disable.
- 9) Flash Size / Delay Identification.
- 10) External (off-board) tools Support which include:
 - Tool Identification
 - Tool Revision
 - Tool Status Information
- 11) S/W Option Identification.
- 12) ADS Revision code.

Since part of the ADS's modules are controlled by the BCSR and since they may be disabled in favor of external hardware, the enable signals for these modules are presented at the CPM expansion connectors, so that off- board hardware may be mutually-exclusive enabled with on-board modules.

For reason to achieve maximum SW compatibility with Voyager ADS the usable control/status bits will be populated at the corresponding addresses.

5•11•1 BCSR0 - Board Control / Status Register 0

The BCSR0 serves as a control register on the ADS. Although it resides only over D(0:7) lines of the PPC data bus, it is accessed as a **word** at **offset 0** from BCSR base address. It may be read or written at any time. BCSR0 gets its defaults upon Power-On reset. BCSR0 fields are described in [TABLE 5-9. "BCSR0 Description"](#) below:

TABLE 5-9. BCSR0 Description

<i>BIT</i>	<i>MNEMONIC</i>	<i>Function</i>	<i>PON DEF</i>	<i>ATT.</i>
0	HOSTCSP	Host Chip Select Polarity. Defines the chip-select polarity for Host I/F, for both chip-select inputs HCS1 and HCS2. When low chip-selects have negative polarity, otherwise - positive.	0	R,W
1	HOSTRQAC	Host Request or Acknowledge Select. When Host I/F supports DMA acknowledge, this bit should be set low and high for double host request mode. This bit allows to change direction of external buffer.	0	R,W

TABLE 5-9. BCSR0 Description

BIT	MNEMONIC	Function	PON DEF	ATT.
2	HOSSTRI	Host Request or Acknowledge Enable. When high host request/acknowledge I/O obtains high impedance and external buffer is HI-Z if low this signal is enable via external buffer.	1	R,W
3	T1_1EN ^a	T1/E1 channel 1 Enable. When asserted (low) T1/E1 QFALC framer channel 1 lines are connected to the CPM TDMA1 ports. If negated (high), T1/E1 channel 1 is disable and associated TDMA1 lines may be used for the CODEC application. See TABLE 5-11. "Peripheral's Availability Decoding." for more explanation	1	R,W
4	T1_234EN ^a	T1/E1 Ports channels 2,3,4 Enable. When asserted (low) the QFALC channels 2,3,4 are available on TDMB2,TDMC2 and TDMD2. When negated (high), the QFALC channels 2,3,4 are isolated by tri-state buffers ^b . The T1/E1 2,3,4 ports are available when MII bus of Fast Ethernet Transceiver is disabled. See TABLE 5-11. "Peripheral's Availability Decoding." for more explanation.	1	R,W
5	FRM_RST	T1/E1 Framer (QFALC) Reset. When asserted (low), the QFALC device is in reset state. This line is driven also by HRESET~ signal of the MSC8101.	1	R,W
6	SIGNAL_LAMP_0	Signal Lamp 0. When this signal is active (low), a dedicated Green LED illuminates. When in-active, this LED is darkened. This LED may be used for S/W signalling to user.	1	R,W
7	SIGNAL_LAMP_1	Signal Lamp 1. When this signal is active (low), a dedicated Red LED illuminates. When in-active, this LED is darkened. This LED may be used for S/W signalling to user.	1	R,W

a. See also [TABLE 5-11. "Peripheral's Availability Decoding."](#)

b. In fact only "Receive Data Out" and "Receive Clock" output signals from QFALC will be disabled. "Frame Sync" should be disabled by QFALC programming or by reset to the framer (FRM_RST bit).

5•11•2 BCSR1 - Board Control / Status Register 1

The BCSR1 serves as a control register on the ADS. It is accessed as a **word** at **offset 4** from BCSR base address. It may be read or written at any time. BCSR1 gets its defaults upon Power-On reset. BCSR1 fields are described in [TABLE 5-10. "BCSR1 Description"](#) below

TABLE 5-10. BCSR1 Description

BIT	MNEMONIC	Function	PON DEF	ATT.
0	SBOOT_EN	Serial BOOT Enable. When asserted (low) or if serial boot mode is chosen I2C lines are tied to EEPROM part U20, if (high) FETH MII data bus are driven over I2C lines. The mux is done via Bus Switch U19.	0	R,W
1	CODEC_EN ^a	CODEC Enable. When asserted (low) CODEC chip (CS4221) is connected to TDMA1 port, if (high) data path from CODEC is isolated.	0	R,W
2	ATM_EN	ATM Port Enable. When asserted (low) the ATM UNI chip (PM5350) connected to FCC1 is enabled for transmission and reception. When negated, the ATM transceiver is in fact ^b in standby mode and its associated buffers ^c are in tri-state mode, freeing all its i/f signals for off-board use via the expansion connectors.	1	R,W

TABLE 5-10. BCSR1 Description

BIT	MNEMONIC	Function	PON DEF	ATT.
3	ATM_RST	ATM Port Reset. When asserted (low), the ATM port transceiver is in reset state. This line is driven also by HRESET~ signal of the MSC8101.	1	R,W
4	FETHIEN	Fast Ethernet Port Initial Enable. When asserted (low) the LXT970's MII port, residing on FCC2, is enabled after Power-Up or after FETH_RST is negated. When negated (high), the LXT970's MII port is isolated after Power-Up or after FETH_RST is negated and all I/F signals are tri-stated. After initial value has been set this signal has no influence over the LXT970 and MII isolation may be controlled via MDIO 0.10 bit. The Fast Ethernet Port on the FCC2 which lines are muxed with T1/E1 channels 2-4 and may be available if they are tri-stated. See bit BCSR0/4 description.	1	R,W
5	FETH_RST	Fast Ethernet port Reset. When active (low) the LXT970 is reset. This line is also driven by HRESET~ signal of the MSC8101. Since MDDIS pin of the LXT970 is driven low with this application, the negation of this signal causes all the H/W configuration bits to be sampled for initial values and device control is moved to the MDIO channel, which is the control path of the MII port.	1	R,W
6	RS232EN_1	RS232 port 1 Enable. When asserted (low) the RS232 transceiver for port 1 (upper), is enabled. When negated, the RS232 transceiver for port 1, is in standby mode and SCC1 pins are available for off-board use via the expansion connectors.	1	R,W
7	RS232EN_2	RS232 port 2 Enable. When asserted (low) the RS232 transceiver for port 2 (lower), is enabled. When negated, the RS232 transceiver for port 2, is in standby mode and SCC2 pins are available for off-board use via the expansion connectors.	1	R,W

- a. See also [TABLE 5-11. "Peripheral's Availability Decoding."](#)
- b. The ATM transceiver itself does not enter standby mode, the fact that it is disconnected from MSC8101 the emulates this state.
- c. Required for voltage levels adaptation.

TABLE 5-11. Peripheral's Availability Decoding.

Enable to:	BCSR Control Bits			
	FETHIEN 1.4	T1_1EN 0.3	T1_234EN 0.4	CODEC_EN 1.1
CODEC ^a	x	x	x	0
T1/E1 channels 2-4	1	x	0	x
FETH	0	x	x	x
T1/E1 channel 1	x	0	x	1

a. Power-on default mode is enable for CODEC and disable for the rest peripherals.

5-11-3 BCSR2 - Board Control / Status Register 2

BCSR2 is a status register which is accessed as **word** at **offset 8** from the BCSR base address. Its a **Read-Only** register which may be read at any time. BCSR2's various fields are described in [TABLE 5-12. "BCSR2 Description" on page 58](#)

TABLE 5-12. BCSR2 Description

BIT	MNEMONIC	Function	DEF SET	ATT.
0 - 7	TSTAT(0:7)	Tool Status (0:7). This field is reserved for external tool status report. The exact meaning of each bit within this field is tool unique and therefore will be documented separately per each tool. These signals are available at the System Expansion connector.	-	R
8 - 11	TOOLREV(0:3)	Tool Revision (0:3). This field may contains the revision code of an external tool connected to the ADS. The various combinations of this field will be described per each tool user's manual. These signals are available at the System Expansion connector.	-	R
12 - 15	EXTTOLI(0:3)	External Tools Identification. These lines, which are available at the CPM expansion connectors, are intended to serve as tools' identifier. On-board S/ W may check these lines to detect the presence of various tools (h/w expansions) at the CPM Expansion connectors. For the external tools' codes and their associated combinations see TABLE 5-16. "EXTTOLI(0:3) Assignment" on page 61.	-	R
16 - 17	SWOPT(0:1) ^a	Software Option (0:1). Two bits shows the state of a dedicated dip-switches providing an option to manually change a program flow.	0	R
18	HOSTCFG	Host Configuration Set. This is high when the MSC8101 is configured for PPC bus Normal Mode, if low - Host I/F is enable.	1	R
19	B64_32	Data Bus 64/32 bit. This line is connected to address mux switch for manually setting the PPC bus width. When it is high the PPC bus is 64-bit width, if low - 32-bit width.	1	R

TABLE 5-12. BCSR2 Description

BIT	MNEMONIC	Function	DEF SET	ATT.
20 - 23	BREVN(0:3)	Board Revision Number (0:3). This field represents the revision code, hard-assigned to the ADS. See TABLE 5-18. "ADS Revision Encoding" on page 61 , for revisions' encoding.	0	R
24	SWOPT2	Software Option 2. This is the LSB of the field. Shows the state of a dedicated dip-switch providing an option to manually change a program flow. For the setting of dip-switch see.	0	R
25 - 27	FLASH_PD(7:5)	Flash Presence Detect(7:5). These lines are connected to the Flash SIMM presence detect lines, which encode the Delay of Flash SIMM mounted on the Flash SIMM socket. For the encoding of FLASH_PD(4:1) see TABLE 5-13. "Flash Presence Detect (7:5) Encoding" on page 59 .	-	R
28 - 31	FLASH_PD(4:1)	Flash Presence Detect(4:1). These lines are connected to the Flash SIMM presence detect lines which encode the type of Flash SIMM mounted on the Flash SIMM socket. For the encoding of FLASH_PD(4:1) see TABLE 5-14. "Flash Presence Detect (4:1) Encoding" on page 59 .	-	R

a. There is additional bit to this field. See bit 24 in the same table.

TABLE 5-13. Flash Presence Detect (7:5) Encoding

FLASH_PD(7:5)	FLASH DELAY [nsec]
000	Not Supported
001	150
010	100/120
011	80/90
100	70 nsec
101 - 111	Not Supported

TABLE 5-14. Flash Presence Detect (4:1) Encoding

FLASH_PD(4:1)	Flash TYPE / SIZE
0000	SM73288XG4JHBG0 - 32 MByte (4 banks of 4 X 2M X 8) by Smart Modular Technology.
0001	SM73248XG2JHBG0 - 16 MByte (2 banks of 4 X 2M X 8) by Smart Modular Technology.
0010	SM73228XG1JHBG0 - 8 MByte (1 bank of 4 X 2M X 8) by Smart Modular Technology.
0011 - 1111	Not Supported

5•11•4 BCSR3 - Board Status Register 3

BCSR3 is a status register which is accessed as **word** at **offset C** from the BCSR base address. Its a **Read-Only** register. BCSR3's various fields are described in [TABLE 5-15. "BCSR3 Descrip-](#)

tion" on page 60.

TABLE 5-15. BCSR3 Description

<i>BIT</i>	<i>MNEMONIC</i>	<i>Function</i>	<i>DEF SET</i>	<i>ATT.</i>
0	EE0	Emulation Enable 0. Shows the appropriate bit state of the emulation dip-switch providing an option to manually program debugging.	0	R
1	EE1	Emulation Enable 1. Same as EE0.	0	R
2	EE2	Emulation Enable 2. Same as EE0.	0	R
3	EE3	Emulation Enable 3. Same as EE0.	0	R
4	EE4	Emulation Enable 4. Same as EE0.	0	R
5	EE5	Emulation Enable 5. Same as EE0.	0	R
6	EED	Event Detection. Same as EE0.	0	R
7	Reserved	Un-Implemented.	-	-

TABLE 5-16. EXTTOOL(0:3) Assignment

<i>EXTTOOL(0:3) [hex]</i>	<i>External Tool</i>
0	T/ECOM - Communication tool
1 - C	Reserved
D	DMA Tool
E	Future Host I/F Tool
F	External Tool is Not Present

TABLE 5-17. External Tool Revision Encoding

<i>TOOLREV(0:3) [hex]</i>	<i>External Tool Revision</i>
0	ENGINEERING
1	PILOT
2	A
3	B
4-F	Reserved

TABLE 5-18. ADS Revision Encoding

<i>Revision Number (0:3) [Hex]</i>	<i>ADS Revision</i>
0	ENG (Engineering)
1	PILOT
2	A
3	B
4-F	Reserved

6 - PPC Bus Memory Map

All accesses to MSC8101 memory slaves is controlled by the its memory controller. Therefore, the memory map is reprogrammable to the desire of the user. After Hard Reset is performed by the debug station, the debugger checks for existance, size, delay and type of the FLASH memory SIMM mounted on board and initializes the memory controller accordingly. The SDRAM and the FLASH memory, respond to all types of memory access i.e., problem / supervisory, program / data

and DMA. This memory map is a recommended memory map and since it is a "soft" map devices'

TABLE 6-1. MSC8101ADS Memory Map

ADDRESS RANGE	Memory Type	Device Name		Port Size
		Host Interface Enable	Host Interface Disable (Default)	
00000000 - 0007FFFF	Internal SRAM ^a			64
00080000 - 00EFFFDF	Empty Space			-
00EFFE00 - 00EFFFFF	EOnCE Registers ^a			16
00EFFF00 - 00FFFFFF	Empty Space			-
00F00000 - 00F0FFFF	DSP Peripherals (Qbus Bank0)			64
00F10000 - 00F7FFFF	Empty Space			-
00F80000 - 00F807FF	Boot ROM (Qbus Bank1)			64
00F80800 - 01EFFFFF	Empty Space			-
01F00000 - 01F0FFFF	DSP Peripherals (CS11)			64
01F10000 - 01FFFFFF	Empty Space			-
02000000 - 0207FFFF	Internal SRAM (CS10)			64
02080000 - 144FFFFFF	Empty Space			-
14500000 - 14507FFF	BCSR(0:3) ^b :			32
14500000 - 14507FF3		BCSR0		
14500004 - 14507FF7		BCSR1		
14500008 - 14507FFB		BCSR2		
1450000C - 14507FFF		BCSR3		
14508000 - 145FFFFFF	Empty Space			-
14600000 - 14607FFF ^c	ATM UNI Proc. Control		PMC5350	8
14608000 - 1460FFFF ^c	T1/E1 Framer		QFALC	8
14610000 - 146FFFFFF	Empty Space			-
14700000 ^d - 1483FFFF	MSC8101 PPC Bus Memory and CPM ^e			32
14840000 - 1FFFFFFF	Empty Space			-
20000000 - 207FFFFFF	SDRAM	MT48LC2M32B2 x 1 8 MByte		32
20000000 - 20FFFFFF		MT48LC2M32B2 x 1 8 MByte ^f	MT48LC2M32B2 x 2 16 MByte	64
20800000 - FFFFFFFF	Empty Space			-
21000000 - FFFFFFFF				-

TABLE 6-1. MSC8101ADS Memory Map

ADDRESS RANGE	Memory Type	Device Name		Port Size
		Host Interface Enable	Host Interface Disable (Default)	
FE000000 - FFFFFFFF	Flash SIMM	32M SIMM SM73288 or		32
FF000000 - FFFFFFFF		16M SIMM SM73248 or		
FF800000 - FFFFFFFF		8M SIMM SM73228		

- a. Mapped to fixed addresses in the SC140 core. Refer to the MSC8101 spec for complete description of the SC140's Core internal memory map [4].
- b. The device appears repeatedly in multiples of its port-size (in bytes) X depth. E.g., BCSR0 appears at memory locations 14700000, 14700010, 14700020..., while BCSR1 appears at 14700004, 14700014, 14700024... and so on.
- c. The internal space of the ATM UNI control port is 256 bytes, however, the minimal block size that may be controlled by a CS region is 32KBytes. The same reason is for another peripherals.
- d. Initially at hF0000000 - hF000FFFF, set by hard reset configuration.
- e. Refer to the MSC8101 spec for complete description of the MSC8101's Memory Map.
- f. Optionally.

Note: Address (except fixed) may moved about the map, to the convenience of any user.

7 - Power

7.1 Power rails.

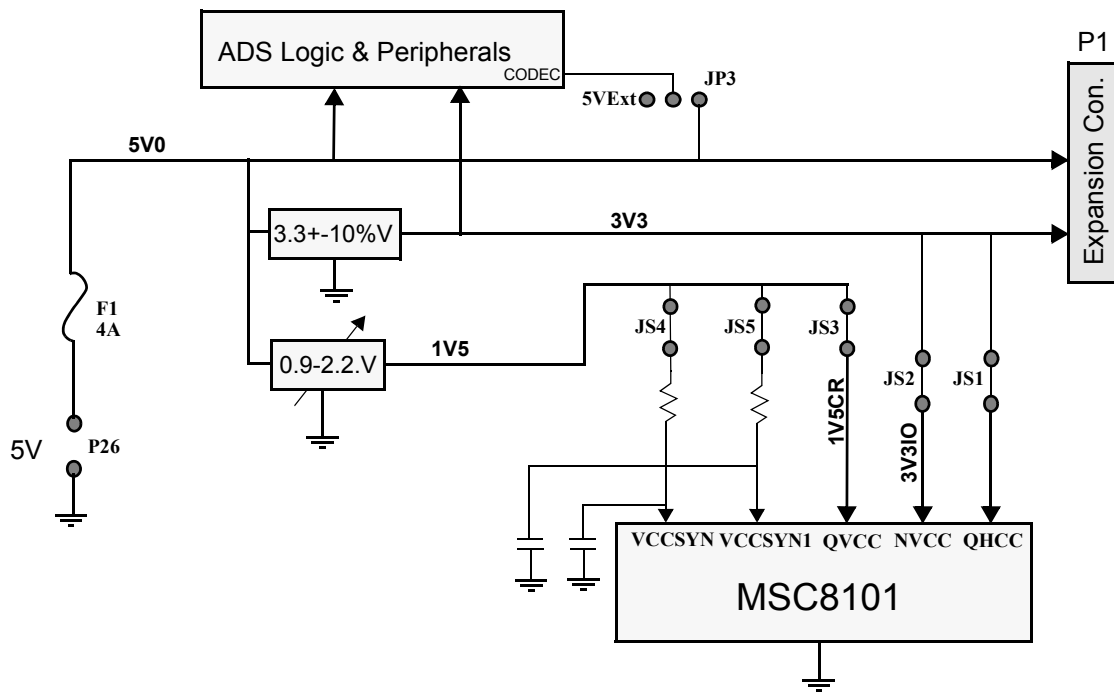
There are 3 power buses with the MSC8101:

- 1) I/O - 3.3V nominal
- 1) Internal Logic - 1.5V nominal.
- 2) PLL - 1.5V nominal.

and there are 3 power buses on the MSC8101ADS:

- 1) 5V bus
- 2) 3.3V bus
- 3) V_{logic} bus

FIGURE 7-1 ADS Power Scheme



To support off-board application development, two of the power buses are connected to the expansion connectors, so that external logic may be powered directly from the board. The maximum current allowed to be drawn from the board on each bus is shown in [TABLE 7-1. "Off-Board Appli-](#)

ation Maximum Current Consumption" below:

TABLE 7-1. Off-Board Application Maximum Current Consumption

<i>Power Bus</i>	<i>Max. Current</i>
5V0	2A
3V3	1.5A

To protect on-board devices against supply spikes, decoupling capacitors (typically 0.1 μ F) are provided between the devices' power leads and GND, located as close as possible to the power leads, while 47 μ F bulk capacitors are spread around.

7•1•1 5V Bus

Some of the ADS peripherals reside on the 5V bus. Since the MSC8101 is not 5V tolerant, buffering is provided between 5V peripherals and the MSC8101, protecting the MSC8101 from the higher voltage level. The 5V bus is connected to an external power connector via a fuse (4A).

To protect against reverse-voltage or over-voltage being applied to the 5V inputs a set of high-current diodes and zener diode is connected between the 5V bus GND. When either over or reverse voltage is applied to the ADS, the protection logic blows the fuse, while limiting the momentary effects on board.

7•1•2 3.3V Bus

The MSC8101, the SDRAMs, the address and data buffers are powered by the 3.3 bus, which is produced from the 5V bus using a low-voltage drop, linear voltage regulator LM1085S, the which is capable of driving upto 4A, facilitating operation of external logic as well.

7•1•3 1.5V Bus

The MSC8101's internal logic and the PLL are powered with a lower-voltage power source, voltage of which may be in a range of 0.9V - 2.2V. Obviously, there is the power-speed trade-off, i.e., lower operation speeds may be obtained with lower voltage supply.

To provide means of evaluating this trade-off, a variable, linear power regulator - MIC29372 with OpAmp MC33202 in feedback, is provided, so that the voltage level of that bus, may be easily tuned, to evaluate influence.

APPENDIX A - MSC8101 Bill of Material

A•1 BOM

In this section the MSC8101ADS's RevB bill of material is listed according to their reference designation

TABLE A-1. MSC8101ADS Bill Of Material

Reference Designation	Part Description	Manufacturer	Part #
C1,C2,C3,C4,C6,C7,C8,C9,C14,C15,C20,C21,C23,C24,C26,C27,C28,C29,C30,C31,C33,C34,C35,C36,C37,C39,C40,C41,C42,C43,C44,C45,C48,C49,C50,C51,C53,C54,C55,C56,C57,C61,C62,C63,C64,C66,C67,C68,C69,C72,C73,C74,C75,C76,C77,C78,C81,C82,C83,C85,C86,C87,C88,C89,C90,C91,C92,C93,C96,C97,C100,C101,C102,C103,C104,C106,C108,C109,C113,C114,C115,C116,C118,C122,C123,C127,C129,C130,C134,C135,C136,C137,C138,C140,C142,C148,C149,C150,C151,C152,C155,C158,C159,C161,C163,C164,C165,C166,C167,C170,C171,C172,C173,C174,C175,C176,C177,C178,C179,C180,C181,C182,C183,C187,C189,C190,C192,C193,C194,C195,C198,C199,C200,C201,C203,C205,C206,C207,C208	Capacitor 0.1μF, 16V, 10%, SMD 0603, Ceramic	AVX	0603YC104KAT2A
C5,C71,C107,C125,C139,C141	Capacitor 68μF, 20V, 20%, SMD, Size D, Tantalum	AVX	TAJD686K020R
C10,C11,C184,C196	Capacitor 47μF, 16V, 10%, SMD Size D, Tantalum	AVX	TAJD476K016
C12,C13	Capacitor 2200pF, 50V, X7R 50V 10% , SMD, Size 1206, Ceramic	AVX	AV12065C222KATJ
C16,C17,C18,C19	Capacitor 47μF, 25V, 10%, Electrolytic	JAMICON	TKR470M1ED11
C25,C32,C38,C105,C126,C153,C160,C197	Capacitor 10μF, 25V, 10%, SMD Size C, Tantalum	AVX	TAJC106K025R
C46,C47,C52,C58,C59,C60,C65,C94,C95,C98,C99,C110,C111,C112,C120,C121,C124,C128,C131,C132,C133,C143,C144,C145,C146,C147,C154,C156,C157,C162,C168,C169	Capacitor 10nF, 50V, 10%, X7R, SMD 0603, Ceramic	AVX	06035C103KAT2A
C70	Capacitor 0.001μF, 2 KV, 10%, SMD Size 1210, Ceramic	AVX	1210B102K202NT
C79,C80	Capacitor 10pF, 50V, 5%, SMD 1206, Ceramic	AVX	AV12065A100JATJ
C84,C119	Capacitor 0.1μF, X7R, 500V, 20%, SMD Size 1812, Ceramic	JOHANSON DIELECTRIC	501S43W104MV4E

TABLE A-1. MSC8101ADS Bill Of Material

Reference Designation	Part Description	Manufacturer	Part #
C117	Capacitor 10uF, 10V, 10% SMD Size A,	SPRAGUE	293D106X9010A2T
C185,C186	Capacitor 47pF, 50V, 5% COG SMD Size 1206, Ceramic	AVX	12065A470JATJ
C188,C191,C204	Capacitor 1μF, 16V, 10%, X7R SMD Size 1206, Ceramic	AVX	1206YC105KAT1A
C209	Capacitor 100uF, 16V, 10% SMD Size D ,Tantalum	AVX	TAJD107K016R
C22,C202	Capacitor 15uF, 6.3V, 10%, SMD Size B, Tantalum	SPRAGUE	592D156X96R3B2T
D1	Schottky Barrier Rectifier SMD 6A 20V	ON SEMICONDUCTOR	MBRD620CT
D2	Small Signal Diode SMD	ROHM	RLS4148
D3	Zener Transient Diode SMD	ON SEMICONDUCTOR	1SMC5.0AT3
FR1	Ferrite Bead	MURATA	NFM60R30T222T
F1	Fuse, 4A/250V Miniature 5x20mm, Fast-blow	Little Fuse	217004
-	PC Fuse Block 5x20mm	Little Fuse	PTF/15
L1,L2,L3,L4,L5,L6,L7	Ferrite Bead SMD, Size 4532	TDK	HF70ACC453215
LD1,LD4,LD11,LD12,LD13,LD14, LD15,LD16,LD17,LD19	Led Yellow SMD, Size 1206	KINGBRIGHT	KPT-3216YD
LD5,LD9	Led Red SMD, Size 1206	KINGBRIGHT	KPT-3216ID
LD2,LD3,LD6,LD7,LD8,LD10, LD18,LD20,LD21,LD22	Led Green SMD, Size 1206	KINGBRIGHT	KPT-3216SGD
JG1,JG2,JG3,JG4,JG5,JG6	Gnd Bridge, Gold Plated 5mm	PRECIDIP	PD999-11-11210
JS1,JS2,JS3,JS4,JS5	Gnd Bridge, Gold Plated 5mm	PRECIDIP	PD999-11-11210
JP4,JP9	Jumper Header, 3 Pole with Fabricated Jumper	MOLEX	87156-0303
JP1,JP2,JP3,JP5,JP6,JP7,JP8,JP10	Jumper, 2 Pole, Soldered, Gold Plated	MOLEX	87156-4003
P1,P2	Connector 128 pin, Female, DIN41612, 90°	ERNI	ERNI 043326
P3	Connector header, 10 pin, dual in-line, SMD	SAMTEC	TSM-10501-SDV
P4	Connector 36 Pin dual in-line SMD	SAMTEC	TSM-11801-SDVAP
P5,P7,P8,P9,P10,P11,P13,P14	Connector MICTOR ^a 38 pin, SMD	AMP	2-767004-2
P6	Connector header, 14 pin, dual in-line, with middle cut pin for one row, SMD	SAMTEC	TSM-10701-SDVAP

TABLE A-1. MSC8101ADS Bill Of Material

Reference Designation	Part Description	Manufacturer	Part #
P12	Connector 8 pin, RJ45 Receptacle, Shielded, 90°	MOLEX	43202_8110
P15,P16	Connector SMB Straight PCB Jack	SUHNER	82SMB-50-0-1/111
P17,P18	Connector 6 pin, double, RJ45 Receptacle, Shielded, 90°	MOLEX	43223-8128
P19,P21,P24	Connector Stereo Phone Jack	I.COHEN ELECTRONICS	COHEN-01301
P20,P22,P23,P25	Connector RCA Jack, Straight	I.COHEN ELECTRONICS	COHEN-34228
P26	Connector 3 pin, Power, Straight, with false insertion protection	WB	8113S-253303353
	Connector 3 pin, Power Plug	WB	8113B-253303353
P27	Connector 9pin, double, Stacked,Female, D-Type	EDA Inc.	8LE 009 009 D 3 06H
R5,R6,R88,R89,R90,R124	Resistor 4.7 K Ω , 1% SMD 0603, 0.1W or 0.063W	RODERSTEIN	D11 04K7FCS
R16,R17,R18,R33,R58,R112	Resistor 43.2 Ω , 1%, SMD 0603, 0.1W	RODERSTEIN	D11 43R2FCS
R19	Resistor 3.3 Ω , 5% SMD 1206, 1/4W	DRALORIK	D2503R3JCS
R20,R22,R215,R218	Resistor 10 K Ω , 0.1% SMD 1206, 1/4W	RCD	BLU1206 10K 0.1%
R21,R23,R196	Resistor 47 K Ω , 1% SMD 1206, 1/4W	RODERSTEIN	D25 047KFCS
R24,R25,R212,R213,R214,R217, R223,R224	Resistor 20 K Ω , 1% SMD 1206, 1/4W	RODERSTEIN	D25 020KFCS
R26,R27,R204,R205,R216,R219	Resistor 150 Ω , 5% SMD 1206, 1/4W	RODERSTEIN	D25 150RJCS
R28,R51,R155,R156,R164,R165, R176,R177,R182,R183	Resistor 10 Ω , 1%, SMD 1206, SMD, 1/4W	AVX	CR32-10ROF-T
R29,R30,R31,R53,R57,R68, R75,R92,R95,R110,R113, R130,R131,R137,R140,R142, R143,R145,R149,R166,R171, R184,R185,R197,R202,R203	Resistor 10 K Ω , 1%, SMD 0603, 0.1W	RODERSTEIN	D11 010KFCS
R32,R40,R52,R55,R59,R87, R117,R123,R125,R134,R141, R146,R158,R168,R169,R170, R172,R178,R186,R193,R210	Resistor 330 Ω , 5%, SMD 1206, 1/4W	RODERSTEIN	D25 330RJCS
R35,R36,R37,R38,R56,R74, R80,R81,R82,R84,R85,R86, R91,R138,R150	Resistor 0 Ω , SMD 0603, 0.1W	RODERSTEIN	D11 000RFCS

TABLE A-1. MSC8101ADS Bill Of Material

Reference Designation	Part Description	Manufacturer	Part #
R34,R39,R48,R54,R63,R66, R67,R72,R73,R93,R96,R103, R108,R111,R119,R121,R209	Resistor 1 K Ω , 1%, SMD 0603, 0.1W	DRALORIK	D11 001KFCS
R41,R42,R43,R44,R45,R46,R47	Resistor 1.5K Ω , 1%, SMD 1206, 1/4W	RODERSTEIN	D25 01K5FCS
R49,R129,R135,R167	Resistor 22.1 Ω , 1% SMD 0603, 0.1W	RODERSTEIN	D11 22R1FCS
R50,R132,R229	Resistor 2.2K Ω 1% SMD 1206, 1/4W	RODERSTEIN	D25 02K2FCS
R60,R157	Resistor 0 Ω , SMD 1206, 1/4W	RODERSTEIN	D25 000RFCS
R61,R64,R69,R70,R71,R76, R77,R79,R114,R115,R127,R133	Resistor 51.1 Ω , 1%, SMD 0603, 0.1W	RODERSTEIN	D11 51R1FCS
R62,R83	Resistor 75 Ω 1% SMD 0603, 0.1W	RODERSTEIN	D11 075RFCS
R65	Resistor 22.1 K Ω 1% SMD 1206, 1/4W	DRALORIK	D25-22K1FCS
R78	Resistor 100 Ω , 1% SMD 1206, 1/4W	RODERSTEIN	D25-100RFCS
R94	Resistor 2.2 M Ω , 1% SMD 1206, 1/4W	RODERSTEIN	D2502M2FCS
R97,R102,R105,R116,R126	Resistor 2.7 Ω , 1% SMD 1206, 1/4W	RODERSTEIN	D25 02R7FCS
R98,R101,R106	Resistor 133 Ω , 1% SMD 0603, 0.1W	DRALORIK	D11 133RFCS
R99,R100,R107	Resistor 82.5 Ω , 1% SMD 0603, 0.1W	DRALORIK	D11 82R5FCS
R104,R128	Resistor 1.5 Ω , 1% SMD 1206, 1/4W	RODERSTEIN	D25 01R5FCS
R109	Resistor 43.2 Ω , 1% SMD 0603, 0.1W	DRALORIK	D11 43R2FCS
R118,R122	Resistor 270 Ω , 1% SMD 1206, 1/4W	DRALORIK	D25 270RFCS
R120	Resistor 63.4 Ω , 1% SMD 0603, 0.1W	DRALORIK	D11 63R4FCS
R144,R151	Resistor 20 Ω , 1% SMD 0603, 0.1W	DRALORIK	D11 020RFCS
R147,R148,R152,R153,R159, R160,R161,R162,R173,R174, R179,R180,R194,R195,R225,R226	Resistor 5.6 Ω , 1% SMD 1206, 1/4W	RODERSTEIN	D2505R6FCS
R154,R163,R175,R181	Resistor 93.1 Ω , 1% SMD1206,1/4W	RODERSTEIN	D25 93R1FCS
R136,R139,R189,R190	Resistor 0 Ω , SMD 0603, 0.1W	RODERSTEIN	D11 000RFCS
R187,R207,R208	Resistor 4.7 K Ω , 5% SMD 1206, 1/4W	RODERSTEIN	D25 04.7KJCS
R188,R206	Resistor 3.9 K Ω , 1% SMD 1206, 1/4W	RODERSTEIN	D25 03K9FCS
R198,R199,R227,R228	Resistor 600 Ω , 0.1% SMD 1206, 1/4W	RCD	BLU1206 600R 0.1%

TABLE A-1. MSC8101ADS Bill Of Material

Reference Designation	Part Description	Manufacturer	Part #
R200	Resistor 8.45 K Ω , 1% SMD 1206, 1/4W	RODERSTEIN	D25-8K45FCS
R201,R220	Resistor 5K Ω , 5% SMD 1206, 1/4W	RCD	BLU1206 5K (4.99K) 0.1%
R97,R102,R105,R116,R126	Resistor 2.7 Ω , 1% SMD 1206, 1/4W	RCD	MC1206 2R74FT
R211	Resistor 750 Ω , 1% SMD 1206, 1/4W	RODERSTEIN	D25 750RFCS
R222	Resistor 47.5 K Ω 1% SMD 0603, 0.1W	DALE	CRCW0603-4752F
R221	Resistor 24 K Ω , 5% SMD 1206, 1/4W	DRALORIK	1002G42402J
RN1,RN2,RN3,RN7,RN9,RN38, RN42,RN45,RN46,RN47,RN48, RN49,RN50,RN51,RN52,RN53, RN54,RN55,RN56,RN57,RN59, RN60,RN61,RN64	Resistor Network 22 Ω , 5%, 4 resistors, 8 pin.	DALE	CRA06S-08-03-220JR
RN4,RN5,RN6,RN8,RN10,RN12, RN13,RN14,RN15,RN16,RN17, RN30,RN34,RN35,RN44	Resistor Network 43 Ω , 5%, 4 resistors, 8 pin.	DALE	CRA06S-08-03 430JRT
RN11,RN18,RN19,RN20,RN21, RN22,RN23,RN24,RN25,RN26, RN27,RN28,RN29,RN31,RN32, RN33,RN36,RN37,RN39,RN40, RN41,RN43,RN58,RN62,RN63, RN65	Resistor Network 10 K Ω , 5%, 8 resistors, 10 pin, Common Bus	ROHM	RS8A-1002J
RP1	Trimmer-Potentiometer 1K single-turn	BOURNS	3362P-1-102
RP2	Potentiometer 1K multi-turn	BOURNS	3296Y-1-102
SW1,SW10,SW11	Dip-Switch, 4 X SPST, SMD	GRAYHILL	90HBW04SR
SW2,SW9	Dip-Switch, 8 X SPST, SMD	GRAYHILL	90HBW08SR
SW3,SW4	SPST, Push Button, BROWN, SMD	DIPTRINICS MANUFACTURING INC.	DTSMW-69N-B
SW5,SW6	6 Pole Slide Switch, SMD	AUGAT	ASF62GL
SW7,SW8	SPST, Push Button, RED, SMD	DIPTRINICS MANUFACTURING INC.	DTSMW-69R-B
U1,U45	Low Voltage, CMOS, 5V Tolerant, 16-bit Transceiver, 48-pin Plastic TSSOP, Case 1201-01	MOTOROLA	MC74LCX16245DT

TABLE A-1. MSC8101ADS Bill Of Material

Reference Designation	Part Description	Manufacturer	Part #
U2	EPM7256A - 120 I/O, 256 Macrocell, 7 nsec propagation delay, EEPROM Based In System Programmable Logic Device, 144-pin TQFP	ALTERA	EPM7256ATC144
U3,U4,U11,U13,U21,U22,U23,U24,U48	Quad CMOS buffer with individual Output Enable. TSSOP pkg.	ON SEMICONDUCTOR	MC74LCX125DT
U39,U5	Low Voltage, CMOS, 5V Tolerant, 16-bit Buffer with Output Enable, 48-pin Plastic TSSOP, Case 1201-01	MOTOROLA	74ALVT16244DT
U6	Fast Ethernet Transceiver. 64-pin PQFP pkg.	LEVEL ONE	LXT970QC/AQC
U7	10/100 Base-T Filter network	HALO	TG22-3506ND
U8	8 MByte Flash SIMM, 95 nsec delay, Single bank, composed of four LH28F016SCT-L95 chips by SHARP.	SMART TECHNOLOGY/ SHARP	SM73228XG1JHBG0
	80 pin SIMM Socket	AMP	822032-5
U9	Octal Tri-State Buffer. 20-pin SOIC pkg.	ON SEMICONDUCTOR	74ACT541DW
U10,U12,U42,U43	Octal CMOS Buffer. 20-pin TSSOP pkg. CASE 948E-02	ON SEMICONDUCTOR	MC74LCX541DT
U14	Saturn User Network I/F (S/UNI) for 155.52 & 51.84 Mbps, 128-pin PQFP	PMC-Sierra Inc.	PM5350-RC
U15	Fiber Optic I/F Module, 1300 nm wavelength, 2 Km Range	HP	HFBR 5205
U16,U37,U38	Low Voltage, CMOS, 5V Tolerant 16 bit buffer, with OEs. 48-pin Plastic TSSOP, Case 1201-01	MOTOROLA	MC74LCX16244DT
U17	MCS8101	MOTOROLA	PC8101FC300A
	Socket 0.80mm Ball Grid Array Open-top, 332-pin , 19x19 Matrix	3M	2332-9025-01-1501
U18	Programmable Clock Generator, 55 MHz, 3.3V Supply, 4-pin, (8 pin DIP form factor)	CARDINAL COMPONENTS	CPPLC4LBP1.5440TS
	Socket 14-pin SMD	PRECIDIP	110-91-314-41-105
U19	Low Voltage Quad 2:1 Mux/Demux	IDT	IDT74CBTLV3257PG
U20	EEPROM 256KBit TSSOP8	SAMSUNG	S524AD0XF1-RCT0
U25	Clock Generator 19.44MHz, 3.3V Supply, 4-pin 30ppm	M-TRON	M3H16FAD-19.44MHz

TABLE A-1. MSC8101ADS Bill Of Material

Reference Designation	Part Description	Manufacturer	Part #
U26	Clock Generator 1.544MHz, 3.3V Supply, 4-pin	M-TRON	1.544MHz. M3H16FCD
	Socket 8-pin SMD	PRECIDIP	110-93-308-41-105
U27	Quad E1/T1 Framer PEB22554-HT-V1.3, 144-pin QFP pkg.	SIEMENS	PEB22554-HT-V1.3
U28	Eight Transformers for Quad E1/T1 Ports, SMD	PULSE ENG.	T1142
U29,U30,U32	Rail-to-Rail Output Audio Amp., SMD, SO-8	ANALOG DEVICES	SSM2275
U31	24-Bit Audio Stereo Codec CS4221, 28-pin SSOP	CRYSTAL	CS4221-KS
U33	Low Dropout Positive Adjustable Regulator 3A, TO-263 pkg.	NATIONAL	LM1085IS-ADJ
U34	Low Dropout Positive Adjustable Voltage Regulator 750mA, TO-263-5 pkg.	MICREL	MIC29372BU
U35,U36	3.3V Powered, Single Supply, RS232 Transceiver (3 Tx, 5 Rx), 28-pin SSOP	MOTOROLA	MC145583V
U40,U41	SDRAM 4Mx32	MICRON	MT48LC2M32B2TG-7
U42	Zero-delay Buffer 8 outputs 3.3V	IDT	IDT2309-1HPG
U46,U47	Low Voltage, CMOS, 5V Tolerant 16 bit Transceiver, with Bus-Hold. 48-pin Plastic TSSOP.	PHILIPS	74ALVT16245DL
U49	Dual TMOS Power N-Chanel MOSFET, 4A, 20V SO-8	ON SEMICONDUCTOR	MMDF4N01HD
U50	Low Voltage Rail-to-Rail OpAmp, SO-8 pkg.	ON SEMICONDUCTOR	MC33202D
U51	High-Precision Voltage Detector. Range 1.0V \pm 2%. O.D. output. SC-82AB pkg.	SEIKO	S-80810ANNP
Y1	Crystal resonator, 25 MHz, Fundamental Oscillation mode, Frequency tolerance \pm 30 ppm, Drive-level - 2mW max 10 μ W - 100 μ W recommended, Shunt capacitance - 5pF Max., Load capacitance - 10pF min, Equivalent Series Resistance - 40 Ω Max. Insulation Resistance - 500 M Ω min.	EPSON	MA-505
Y2	Crystal resonator, 11.289 MHz, Fundamental Oscillation mode	M-TRON	ATSM-49 11.2896MHz

a. Matched Impedance Connector.

APPENDIX B - Support Information

In this chapter all information needed for support, maintenance and connectivity to the MSC8101ADS is provided.

B•1 Interconnect Signals

The MSC8101ADS interconnects with external devices via the following set of connectors:

- 1) P1 - System Expansion
- 2) P2 - CPM Expansion
- 3) P3 - Altera's In System Programming (ISP)
- 4) P4 - Host I/F
- 5) P5, P7, P8, P9, P10, P13, P14 - Logic Analyzer MICTOR Connectors
- 6) P6 - JTAG/ONCE
- 7) P12 - 100 / 10 - Base-T Ethernet port
- 8) P15,P16 - SMB Coax Connectors
- 9) P17,P18 - Double RJ45 for T1/E1 port
- 10) P19,P21,P24 - Stereo Phone Jack
- 11) P20,P22,P23,P25 - RCA Jack
- 12) P26 - 5V Power Supply
- 13) P27A,B - RS232 port 1,2

B•1•1 MSC8101ADS's P1- System Expansion Connector

P1 is a 128 pin, 90⁰, DIN 41612 connector, which provide a minimal system I/F required to interface various types of communication transceivers, data path of which passes through MSC8101's. This connector contains 16 bit (lower PPC bus) address lines, 16 bit (higher PPC bus) Data lines plus useful GPCM and UPM control lines. The pinout of P1 is shown in [TABLE B1-2. "P1 - System](#)

Expansion - Interconnect Signals" below:

TABLE B1-2. P1 - System Expansion - Interconnect Signals

Pin No.	Signal Name	Attribute	Description
A1	EXPA16	O	Expansion Address (16 ^a :31). This is a Latched-Buffered version of the MSC8101's PPC Address lines (16:31), provided for external tool connection. To avoid reflection these lines are series terminated with 43 Ω resistors.
A2	EXPA17		
A3	EXPA18		
A4	EXPA19		
A5	EXPA20		
A6	EXPA21		
A7	EXPA22		
A8	EXPA23		
A9	EXPA24		
A10	EXPA25		
A11	EXPA26		
A12	EXPA27		
A13	EXPA28		
A14	EXPA29		
A15	EXPA30		
A16	EXPA31		
A17	N.C.	-	Not connected.
A18			
A19	EXPDVALb	I/O, T.S.	Expansion 60x bus Data Valid signal.
A20	3V3	P	+3.3V Power Out. These lines are connected to the main 3.3V plane of the MSC8101ADS, this, to provide 3.3V power where necessary for external tool connected. The amount of current allowed to be drawn from this power bus is found in TABLE 7-1. "Off-Board Application Maximum Current Consumption" on page 66.
A21			
A22			
A23			
A24			
A25	N.C.	-	Not Connected.

TABLE B1-2. P1 - System Expansion - Interconnect Signals

<i>Pin No.</i>	<i>Signal Name</i>	<i>Attribute</i>	<i>Description</i>
A26	5V0	P	+5V Supply. Connected to ADS's 5V plane. Provided as power supply for external tool. For allowed current draw, see TABLE 7-1. "Off-Board Application Maximum Current Consumption" on page 66.
A27			
A28			
A29			
A30			
A31			
A32			
B1	GND	P	Digital Ground. Connected to main GND plane of the ADS.
B2			
B3			
B4	TSTAT0	I,P.U.	Tool Status (0 ^a :7). This lines may be driven by an external tool to be read via BCSR2 of the ADS. These lines are pulled-up on the ADS, by 10 KΩ resistor's network. See also TABLE 7-1. "Off-Board Application Maximum Current Consumption" on page 66.
B5	TSTAT1		
B6	TSTAT2		
B7	TSTAT3		
B8	TSTAT4		
B9	TSTAT5		
B10	TSTAT6		
B11	TSTAT7		
B12	TOOLREV0	I,P.U.	Tool Revision (0 ^a :3). This lines should be driven by an external tool with the Tool Revision Code, to be read via BCSR2 of the ADS. These lines are pulled-up on the ADS, by 10 KΩ resistor's network. See also TABLE 5-12. "BCSR2 Description" on page 58.
B13	TOOLREV1		
B14	TOOLREV2		
B15	TOOLREV3		
B16	EXTOLI0	I,P.U.	External Tool Identification (0 ^a :3). This lines should be driven by an external tool with the Tool Identification Code, to be read via BCSR2 of the ADS. These lines are pulled-up on the ADS, by 10 KΩ resistor's network. See also TABLE 5-12. "BCSR2 Description" on page 58.
B17	EXTOLI1		
B18	EXTOLI2		
B19	EXTOLI3		
B20	PORSTb	I/O,P.U.	Power-On-Reset. This line is connected to open drain output of voltage detector device. When power-up is executed this line asserted low during apr. 800 ms. Off-board power-on-reset may be provided when this pin is driven by external O.D. (without pull-up resistor) logic. Failure to do so might result in permanent damage to the MSC8101 and / or to ADS logic.

TABLE B1-2. P1 - System Expansion - Interconnect Signals

Pin No.	Signal Name	Attribute	Description
B21	V3.3	P	3.3V Power Out. These lines are connected to the main 3.3V plane of the MSC8101ADS, this, to provide 3.3V power where necessary for external tool connected. The amount of current allowed to be drawn from this power bus is found in TABLE 7-1. "Off-Board Application Maximum Current Consumption" on page 66.
B22			
B23			
B24			
B25	N.C.	-	Not Connected
B26	5V0	P	5V Supply. Connected to ADS's 5V plane. Provided as power supply for external tool. For allowed current draw, see TABLE 7-1. "Off-Board Application Maximum Current Consumption" on page 66.
B27			
B28			
B29			
B30			
B31			
B32			
C1	GND	P	Digital Ground. Connected to main GND plane of the ADS.
C2	CLKX	O	Buffered System Clock. This is a low skew buffered version of the MSC8101's CLKOUT signal, to be used by an external tool.
C3	GND	P	Digital Ground. Connected to main GND plane of the ADS.
C4	BTOLCS1b	O	Buffered Tool Chip Select 1. This is a buffered MSC8101's CS6~line, reserved for an external tool.
C5	BTOLCS2b	O	Buffered Tool Chip Select 2. This is a buffered MSC8101's CS7~line, reserved for an external tool.
C6	GND	P	Digital Ground. Connected to main GND plane of the ADS.
C7	ATMENb	O	ATM Port Enable. This line enables the ATM port UNI's output lines towards the MSC8101. An external tool, using the same pins as does the ATM port should consult this signal before driving the same lines. Failure to do so might result in permanent damage to the PM5350 ATM UNI.
C8	ATMRSTb	O	ATM Port Reset. This signal resets the ATM UNI (PM5350). An external tool may use this signal to its benefit.
C9	FETHRSTb	O	Ethernet Port Reset (L). This signal resets the LXT970 Ethernet transceiver. An external tool may use this signal to its benefit.
C10	HRESETb	I/O, O.D.	MSC8101's Hard Reset. When asserted by an external H/W, generates Hard-Reset sequence for the MSC8101. During that sequence, asserted by the MSC8101 for 512 system clocks. Pulled Up on the ADS using a 1KΩ resistor. When driven by an external tool, MUST be driven with an Open Drain gate. Failure to do so might result in permanent damage to the MSC8101 and / or to ADS logic.

TABLE B1-2. P1 - System Expansion - Interconnect Signals

<i>Pin No.</i>	<i>Signal Name</i>	<i>Attribute</i>	<i>Description</i>
C11	IRQ6b	I,P.U.	Interrupt Request 6 . Connected to MSC8101's DP6//IRQ6b/ DACK3 signal. Pulled up on the ADS with a 10 KΩ resistor. This line is shared with the ATM UNI's interrupt line and therefore, when driven by an external tool, MUST be driven with an Open Drain gate. Failure to do so may result in permanent damage to the MSC8101 or to ADS logic.
C12	IRQ7b	I,P.U.	Interrupt Request 7 . Connected to MSC8101's DP7//IRQ7b/ DACK4 signal. Pulled up on the ADS with a 10 KΩ resistor. This line is shared with the Fast Ethernet transceiver's interrupt line and therefore, when driven by an external tool, MUST be driven with an Open Drain gate. Failure to do so might result in permanent damage to the MSC8101 and / or to ADS logic.
C13	GND	P	Digital Ground. Connected to main GND plane of the ADS.
C14	EXPD0	I/O, T.S.	Expansion Data (0 ^a :15). This is a double buffered version of the PPC bus D(0:15) lines, controlled by on-board logic. These lines will be driven only if BTOLCS1b or BTOLCS2b are asserted. Otherwise they are tristated. The direction of these lines is determined by buffered BCTL0, in function of R~W.
C15	EXPD1		
C16	EXPD2		
C17	EXPD3		
C18	EXPD4		
C19	EXPD5		
C20	EXPD6		
C21	EXPD7		
C22	EXPD8		
C23	EXPD9		
C24	EXPD10		
C25	EXPD11		
C26	EXPD12		
C27	EXPD13		
C28	EXPD14		
C29	EXPD15		
C30	IRQ4b	I,P.U.	Interrupt Request 4. Connected to MSC8101's DP4//IRQ4b/ DREQ3 signal. Pulled up on the ADS with a 10 KΩ resistor. This line is shared with the Fast Ethernet transceiver's interrupt line and therefore, when driven by an external tool, MUST be driven with an Open Drain gate. Failure to do so might result in permanent damage to the MSC8101 and / or to ADS logic.
C31	IRQ5b	I,P.U.	Interrupt Request 5. Connected to MSC8101's DP5//IRQ5b/ DREQ5 signal. Pulled up on the ADS with a 10 KΩ resistor. This line is shared with the Fast Ethernet transceiver's interrupt line and therefore, when driven by an external tool, MUST be driven with an Open Drain gate. Failure to do so might result in permanent damage to the MSC8101 and / or to ADS logic.

TABLE B1-2. P1 - System Expansion - Interconnect Signals

<i>Pin No.</i>	<i>Signal Name</i>	<i>Attribute</i>	<i>Description</i>
C32	N.C.	-	Not Connected
D1	GND	P	Digital Ground. Connected to main GND plane of the ADS.
D2			
D3			
D4	EXPWE0b	O	Expansion Write Enable (0:1) (L). This are buffered GPCM Write Enable lines (0:1). They are meant to qualify writes to GPCM controlled 8/16 data bus width memory devices. This to provide eased access to various communication transceivers. EXPWE0b controls EXPD(0:7) while EXPWE1b controls EXPD(8:15). These lines may also function as UPM controlled Byte Select Lines, which allow control over almost any type of memory device.
D5	EXPWE1b		
D6	GND	P	Digital Ground. Connected to main GND plane of the ADS.
D7	EXPGL0b	O	Expansion General Purpose Lines (0:5). These are buffered GPL(0:5)b lines which assist UPM control over memory device if necessary. These are output only signals and therefore, do not support H/W controlled UPM waits (GPL4 as such UPWAIT).
D8	EXPGL1b		
D9	EXPGL2b		
D10	EXPGL3b		
D11	EXPGL4b		
D12	EXPGL5b		
D13	GND	P	Digital Ground. Connected to main GND plane of the ADS.
D14	V3.3	P	3.3V Power Out. These lines are connected to the main 3.3V plane of the MSC8101ADS, this, to provide 3.3V power where necessary for external tool connected. The amount of current allowed to be drawn from this power bus is found in TABLE 7-1. "Off-Board Application Maximum Current Consumption" on page 66.
D15	EXPCTL0	O	Expansion Control Line 0. This line is a buffered version of MSC8101's BCTL0 (Bus Control Line 0) which serves as R~/W, provided for expansion board's use.

TABLE B1-2. P1 - System Expansion - Interconnect Signals

Pin No.	Signal Name	Attribute	Description
D16	GND	P	Digital Ground. Connected to main GND plane of the ADS.
D17			
D18			
D19			
D20			
D21			
D22			
D23			
D24			
D25			
D26			
D27			
D28			
D29			
D30			
D31			
D32			

a. MS Bit.

B•1•2 MSC8101ADS's P2 - CPM Expansion Connector

P4 is a 128 pin, 90⁰, DIN 41612 connector, which allows for convenient expansion of the MPC8101's serial and host ports. This connector contains all CPM pins plus power supply pins, to provide for easy tool connection. The pinout of P2 is shown in [TABLE B1-3. "P2 - CPM Expansion - Interconnect Signals"](#) below:

TABLE B1-3. P2 - CPM Expansion - Interconnect Signals

Pin No.	Signal Name	Attribute	Description
A1	SCC1RXD (PD31 ^a)	I/O, T.S.	When RS232 port #1 is enabled, this signal is the receive data line for SCC1 port. When this port is disabled, this signal is tristated and may be used to any available alternate function for PD31.
A2	SCC1TXD (PD30)	I/O, T.S.	When RS232 port #1 is enabled, this signal is the transmit data line for SCC1 port. When this port is disabled, this signal may be used to any available alternate function for PD30.
A3	SCC1CTS _b (PD29)	I/O, T.S.	When RS232 port #1 is enabled, this signal is the carrier detect line for SCC1 port. When this port is disabled, this signal may be used to any available alternate function for PD29.
A4-A12	N.C.	-	Not connected

TABLE B1-3. P2 - CPM Expansion - Interconnect Signals

<i>Pin No.</i>	<i>Signal Name</i>	<i>Attribute</i>	<i>Description</i>
A13	SPISELb(PD19)	I/O, T.S.	When SPI port is enabled, this signal is the select input line for that port. When this port is disabled, this signal may be used to any available alternate function for PD19. In fact, for the ADS application using as GPIO output pin.
A14	SPICLK(PD18)	I/O, T.S.	When SPI port is enabled, this signal is SPI clock output line for that port. When this port is disabled, this signal may be used to any available alternate function for PD18.
A15	SPIMOSI(PD17)	I/O, T.S.	When SPI port is enabled, this signal is master output line for that port. When this port is disabled, this signal may be used to any available alternate function for PD17.
A16-A20	N.C.	-	Not connected
A21	HCS2	I	Chip-select 2 input for HDI16 port. Present as well as at P4 connector.
A22	HCS1	I	Chip-select 1 input for HDI16 port. Present as well as at P4 connector.
A23	HRDRW	I	When the HDI16 is programmed to interface to a single data strobe host bus, this pin is the read/write input (HRW). When the HDI16 is programmed to interface to a double data strobe host bus, this pin is the read data strobe Schmitt trigger input (HRD). Present as well as at P4 connector.
A24	HWRDS	I	When the HDI16 is programmed to interface to a single data strobe host bus, this pin is the data strobe Schmitt trigger input (HDS). When the HDI16 is programmed to interface to a double data strobe host bus, this pin is the write data strobe Schmitt trigger input (HWR). Present as well as at P4 connector.
A25	PD7		MSC8101's Port D7 Parallel I/O line. May be used to any of its available functions
A26-A28	N.C.	-	Not connected
A29	ATRCKDIS	I	ATM Receive Clock Out Disable. When active (H), the ATMRCLK output, on pin C29 of this connector, is Tri-stated. When either not connected or driven low, ATMRCLK on pin C29, is enabled. This provides compatibility with ENG revision of T/ECOM communication tools.
A30	HOSTPD	I	Host tool present detect. Disable Host Interface with active low (GND) for not compatible external tools.
A31-A32	5V	P	5V Supply. Connected to ADS's 5V VCC plane. Provided as power supply for external tool. For allowed current draw, see TABLE 7-1. "Off-Board Application Maximum Current Consumption" on page 66.
B1	ATMTXENb (PA31)	I/O, T.S.	ATM Transmit Enabled (L). When this signal is asserted (Low), while the ATM port is enabled and ATMTFCLK is rising, an octet of data, ATMTXD(7:0), is written into the transmit FIFO of the PM5350. When the ATM port is disabled, this line may be used for any available function of PA31.

TABLE B1-3. P2 - CPM Expansion - Interconnect Signals

<i>Pin No.</i>	<i>Signal Name</i>	<i>Attribute</i>	<i>Description</i>
B2	ATMTCAb (PA30)	I/O, T.S.	ATM Transmit Cell Available (H). When this signal is asserted (High), while the ATM port is enabled, it indicates that the transmit FIFO of the PM5350 is empty and ready to except a new cell. When negated, it may show either that the transmit FIFO is Full or close to Full, depending on PM5350 internal programming. When the ATM port is disabled, this line may be used for any available function of PA30.
B3	ATMTSOC (PA29)	I/O, T.S.	ATM Transmit Start Of Cell (H). When this signal is asserted (High) by the MSC8101, while the ATM port is enabled, it indicates to the PM5350 the start of a new ATM cell over ATMTXD(7:0), i.e., the 1'st octet is present there. When the ATM port is disabled, this line may be used for any available function of PA29.
B4	ATMRXENb (PA28)	I/O, T.S.	ATM Receive Enable (L). When this signal is asserted (Low), while the ATM port is enabled and ATMRFCLK ^b goes high, on octet of data is available at the PM5350's ATMRXD(7:0) lines. When negated while ATMRFCLK goes high data on ATMRXD(7:0) is invalid, however driven. When the ATM port is disabled, this line may be used for any available function for PA28.
B5	ATMRSOC (PA27)	I/O, T.S.	ATM Receive Start Of Cell (H). When this signal is asserted (High), while the ATM port is enabled, it indicates, that the 1'st octet of data for the received cell is available at the PM5350's ATMRXD(7:0) lines. This line is updated over the rising edge of ATMRFCLK. When the ATM port is disabled, this line is tristated and may be used for any available function for PA27.
B6	ATMRCA (PA26)	I/O, T.S.	ATM Receive Cell Available (H). When this signal is asserted (High), while the ATM port is enabled and ATMRFCLK goes high, it indicates that the PM5350's receive FIFO is either full or that there are 4 empty bytes left in it - PM5350 internal programming dependent. When the ATM port is disabled, this line is tristated and may be used for any available function of PA26.
B7	ATMTXD0 (PA25)	I/O, T.S.	ATM Transmit Data (7 ^c :0). When the ATM port is enabled, this bus carries the ATM cell octets, written to the PM5350's transmit FIFO. This bus is considered valid only when ATMTXENb is asserted and are sampled on the rising edge of ATMTFCLK. When the ATM port is disabled, these lines may be used for any available respective function.
B8	ATMTXD1 (PA24)		
B9	ATMTXD2 (PA23)		
B10	ATMTXD3 (PA22)		
B11	ATMTXD4 (PA21)		
B12	ATMTXD5 (PA20)		
B13	ATMTXD6 (PA19)		
B14	ATMTXD7 (PA18)		

TABLE B1-3. P2 - CPM Expansion - Interconnect Signals

<i>Pin No.</i>	<i>Signal Name</i>	<i>Attribute</i>	<i>Description</i>
B15	ATMRXD7 (PA17)	I/O, T.S.	ATM Receive Data (7 ^c :0). When the ATM port is enabled, this bus carries the cell octets, read from the PM5350 receive FIFO. This lines are updated on the rising edge of ATMRFCLK ^b . When the ATM port is disabled, these lines are tristated and may be used for any available respective function.
B16	ATMRXD6 (PA16)		
B17	ATMRXD5 (PA15)		
B18	ATMRXD4 (PA14)		
B19	ATMRXD3 (PA13)		
B20	ATMRXD2 (PA12)		
B21	ATMRXD1 (PA11)		
B22	ATMRXD0 (PA10)		
B23	L1TXD(PA9)	I/O, T.S.	TDMA port transmit data. May be used for CODEC or T1/E1 applications. When TDMA port is disabled this line may be used for any available function of PA9 Port A.
B24	L1RXD(PA8)	I/O, T.S.	TDMA port receive data. May be used for CODEC or T1/E1 applications. When TDMA port is disabled this line may be used for any available function of PA8 Port A.
B25	L1TSYNC(PA7)	I/O, T.S.	TDMA port transmit frame sync input. In fact this pin used as PA8 Port A.
B26	L1RXSYNC(PA6)	I/O, T.S.	TDMA port frame sync input. May be used for CODEC or T1/E1 applications. When TDMA port is disabled this line may be used for any available function of PA8 Port A.
B27	PA5	I/O, T.S.	MSC8101's Port A (5:2) Parallel I/O lines. May be used to any of their available functions.
B28	PA4		
B29	PA3		
B30	PA2		
B31	HD14	I/O, T.S.	Host Interface Bidirectional Data Port D14 and D15. Present as well as at P4 connector.
B32	HD15		
C1	FETHTXER (PB31)	I/O, T.S.	Fast-Ethernet ^d Transmit Error (H). When the Ethernet port is enabled, this signal will be asserted (High) by the MSC8101 when an error is discovered in the transmit data stream. When the port is operation at 100 Mbps, the LXT970 responds by sending invalid code symbols on the line. When the Ethernet port is disabled, this line may be used for any available function of PB31.
C2	FETHRXDV (PB30)	I/O, T.S.	Fast-Ethernet Receive Data Valid (H). When this signal is asserted (High) while the Fast Ethernet port is enabled and FETHRXCK goes high, it indicates that data is valid on the MII Receive Data lines - FETHRXD(3:0). When the Fast Ethernet port is disabled, this line is tristated and may be used for any available function of PB30.

TABLE B1-3. P2 - CPM Expansion - Interconnect Signals

<i>Pin No.</i>	<i>Signal Name</i>	<i>Attribute</i>	<i>Description</i>
C3	FETHTXEN (PB29)	I/O, T.S.	Fast-Ethernet Transmit Enable (H). The MSC8101 will assert (High) this line, to indicate data valid on the FETHTXD(3:0) lines. When the Fast-Ethernet port is disabled, this line may be used for any available function of PB29.
C4	FETHRXER (PB28)	I/O, T.S.	Fast-Ethernet Receive Error (H). When this signal is asserted (High) by the LXT970, while the Ethernet port is enabled and FETHRXCK goes high, it indicates that the port is receiving invalid data symbols from the network. When the Ethernet port is disabled, this line is tristated and may be used for any available function of PB28.
C5	FETHCOL (PB27)	I/O, T.S.	Fast-Ethernet Port Collision Detected (H). When this signal is asserted (High) by the LXT970, while the ethernet port is enabled, it indicates a Collision state over the line. When the LXT970 is in Full-Duplex mode, this line is inactive. When the Ethernet port is disabled, this line is tristated and may be used for any available function of the PB27.
C6	FETHCRS (PB26)	I/O, T.S.	Fast-Ethernet Carrier Sense (H). When this signal is asserted (High), while the Ethernet port is enabled and the LXT970 is in half-duplex mode, it indicates that either the transmit or receive media are non-idle. When the LXT970 is in either full-duplex or repeater operation, it indicates that the receive medium is non-idle. When the Ethernet port is disabled, this line may be used for any available function of PB26.
C7	FETHTXD3 (PB25)	I/O, T.S.	Fast Ethernet Transmit Data (3:0). This is the MII transmit data bus. The MSC8101 drives these lines according to rising edge of FETHTXCK. When the ethernet port is disabled, these lines may be used for any available respective function.
C8	FETHTXD2 (PB24)		
C9	FETHTXD1 (PB23)		
C10	FETHTXD0 (PB22)		
C11	FETHRXD0 (PB21)	I/O, T.S.	Fast Ethernet Receive Data (3:0). This is the MII receive data bus. The LXT970 drives these lines according to rising edge of FETHRXCK. When the ethernet port is disabled, these lines are tristated and may be used for any available respective parenthesized function.
C12	FETHRXD1 (PB20)		
C13	FETHRXD2 (PB19)		
C14	FETHRXD3 (PB18)		

TABLE B1-3. P2 - CPM Expansion - Interconnect Signals

<i>Pin No.</i>	<i>Signal Name</i>	<i>Attribute</i>	<i>Description</i>
C15	HD0	I/O, T.S.	Host Interface Bidirectional Data Port D0-D13. Present as well as at P4 connector.
C16	HD1		
C17	HD2		
C18	HD3		
C19	HD4		
C20	HD5		
C21	HD6		
C22	HD7		
C23	HD8		
C24	HD9		
C25	HD10		
C26	HD11		
C27	HD12		
C28	HD13		
C29	ATMRCLK	O, T.S.	ATM Receive Clock. A divide by 8 of the ATM line clock recovered by the ATM receive logic. Enabled only when pin A29 of this connector is either not connected or driven low. Otherwise, Tri-stated.
C30	GND	P	Digital Ground. Connected to main GND plane of the ADS.
C31			
C32			
D1	CLK1(PC31)	I/O, T.S.	Clock 1 input. When TDMA is enabled this pin is an input clock. When TDMA port is disabled this line may be used for any available function of PC31 Port C.
D2	PC30	I/O, T.S.	MSC8101's Port C30 Parallel I/O line. May be used to any of its available functions.
D3	FETHRXCK (PC29)	I/O, T.S.	Fast-Ethernet Receive Clock. When the Ethernet port is enabled, this clock (25 MHz for 100 Mbps, 2.5 MHz for 10 Mbps) is extracted from the received data and driven to the MSC8101 to qualify incoming receive data. When the Ethernet port is disabled, this line is tristated and may be used for any available function of PC29.
D4	FETHTXCK (PC28)	I/O, T.S.	Fast-Ethernet Transmit Clock. When the Ethernet port is enabled, this clock (25 MHz for 100 Mbps, 2.5 MHz for 10 Mbps) is normally extracted from the received data and driven to the MSC8101 to qualify out coming transmit data. In Slave mode (not used with this application) this clock should be input to the LXT970. When the Ethernet port is disabled, this line is tristated and may be used for any available function of PC28.

TABLE B1-3. P2 - CPM Expansion - Interconnect Signals

<i>Pin No.</i>	<i>Signal Name</i>	<i>Attribute</i>	<i>Description</i>
D5	CLK5 (PC27)	I/O, T.S.	Clock 5 input. When TDMB is enabled this pin is an input clock. When TDMB port is disabled this line may be used for any available function of PC27 Port C.
D6	ATMFCLK (PC26)	I/O, T.S.	ATM Transmit FIFO Clock. Upon the rising edge of this clock (driven by the MSC8101), while the ATM port is enabled, the cell octets are written to the PM5350's transmit FIFO. This clock samples ATMTXD(7:0), ATMTXPTY, ATMTXENb and ATMTSOC. When the ATM port is disabled, this line may be used for any available function of PC26.
D7	DACK2b(PC25)	I/O, T.S.	DMA channel 2 data acknowledge. Output from DMA port. Using for external DMA tool. When the DMA port is disabled, this line may be used for any available function of PC25.
D8	DREQ2b(PC24)	I/O, T.S.	DMA channel 2 data request acknowledge. This signal is asserted by the DMA, indicating that the DMA has sampled the peripheral request. Using for external DMA tool. When the DMA port is disabled, this line may be used for any available function of PC24.
D9	DACK1b(PC23)	I/O, T.S.	DMA channel 1 data acknowledge. Output from DMA port. Using for external DMA tool. When the DMA port is disabled, this line may be used for any available function of PC23.
D10	DREQ1b(PC22)	I/O, T.S.	DMA channel 1 data request acknowledge. This signal is asserted by the DMA, indicating that the DMA has sampled the peripheral request. Using for external DMA tool. When the DMA port is disabled, this line may be used for any available function of PC22.
D11	N.C.	-	Not connected.
D12			
D13			
D14			
D15			
D16			
D17	PC15	I/O, T.S.	MSC8101's Port C15 Parallel I/O line. May be used to any of its available functions.
D18	SCC1CDb (PC14)	I/O, T.S.	RS232 Port 1 Carrier Detect (L). Connected via RS232 transceiver to RS232 DTR1b input, allowing detection of a connected terminal to this port. This line is simply a I/O input line to the MSC8101. When RS232 Port 1 is disabled, this line is tristated and may be used for any available function of PC14.
D19	FETHMDC (PC13)	I/O, T.S.	Fast-Ethernet Port Management Data Clock. This slow clock (S/W generated) qualifies the management data I/O to read / write the LXT970's internal registers. When the Ethernet port is disabled, this line may be used for any available function of PC13.

TABLE B1-3. P2 - CPM Expansion - Interconnect Signals

<i>Pin No.</i>	<i>Signal Name</i>	<i>Attribute</i>	<i>Description</i>
D20	FETHMDIO (PC12)	I/O, T.S.	Fast-Ethernet Port Management Data I/O. This signal serves as bidirectional serial data line, qualified by FETHMDC, to allow read / write the LXT970's internal registers. When the Ethernet port is disabled, this line may be used for any available function of PC12.
D21	HREQTRQ	O, T.S.	When the HDI16 is enabled and programmed to interface to a single host request, this pin is the host request output (HREQ). This pin can be used for host DMA requests in host DMA mode. When the HDI16 is programmed to interface to a double host request, this pin is the transmit host request output (HTRQ). Tristated when HDI16 is disabled. Present as well as at P4 connector.
D22	N.C.	-	Not connected.
D23			
D24	HRRQACK	I/O, T.S.	When the HDI16 is enabled and programmed to interface to a single host request, this pin is the host acknowledge Schmitt trigger input in host DMA mode (HACK). The polarity of the host DMA acknowledge is programmable. When the HDI16 is programmed to interface to a double host request, this pin is the receive host request output (HRRQ). The direction of this line may be programmed by BCSR0/1. See TABLE 5-9. "BCSR0 Description" on page 55.
D25	PC7	I/O, T.S.	MSC8101's Port C (7:6) Parallel I/O lines. May be used to any of their available functions.
D26	PC6		
D27	SMCTX1(PC5)	I/O, T.S.	When RS232 port #2 is enabled, this signal is the transmit data line for SMC1 port. When this port is disabled, this signal may be used to any available alternate function for PC5.
D28	SMCRX1(PC4)	I/O, T.S.	When RS232 port #2 is enabled, this signal is the receive data line for SMC1 port. When this port is disabled, this signal may be used to any available alternate function for PC4.
D29	HA0	I	Host Interface Address Line 0. Tristated when Host I/F is disabled. Present as well as at P4 connector.
D30	HA1	I	Host Interface Address Line 1. Tristated when Host I/F is disabled. Present as well as at P4 connector.
D31	HA2	I	Host Interface Address Line 2. Tristated when Host I/F is disabled. Present as well as at P4 connector.
D32	HA3	I	Host Interface Address Line 3. Tristated when Host I/F is disabled. Present as well as at P4 connector.

- a. The functions in parenthesis, are MSC8101's parallel I/Os.
- b. Normally connected to ATMTFCLK on the ADS.
- c. MS bit.
- d. For that matter, both 100-Base-T and 10-Base-T.

B•1•3 P3 - Altera's In System Programming (ISP)

This is a 10 pin generic 0.100" pitch header connector, providing In System Programming capability for Altera CPLD devices made programmable logic on board. The pinout of P3 is shown in [TABLE B1-4. "P3 - ISP Connector - Interconnect Signals"](#) below:

TABLE B1-4. P3 - ISP Connector - Interconnect Signals

<i>Pin No.</i>	<i>Signal Name</i>	<i>Attribute</i>	<i>Description</i>
1	TCK	I	ISP Test port Clock. This clock shifts in / out data to / from the programmable logic JTAG chain.
2	GND	P	Digital GND. Main GND plane.
3	TDO	O	ISP Transmit Data Output. This the prog. logic's JTAG serial data output driven by Falling edge of TCK.
4	VCC	P	Connect to 3.3V power supply bus for feeding an external programmer logic.
5	TMS	I	ISP Test Mode Select. This signal qualified with TCK, changes the state of the prog. logic JTAG machine.
6	N.C.	-	Not Connected.
7	N.C.	-	Not Connected.
8	N.C.	-	Not Connected.
9	TDI	I	ISP Transmit Data In. This is the prog. logic's JTAG serial data input, sampled by the MCS8101 on the rising edge of TCK.
10	GND	P	Digital GND. Main GND plane.

B•1•4 P4 - Host Interface Connector

This is a 36 pin two rows 0.100" pitch header connector. For more user's convenience each of the Host Interface signals is present at the CPM The pinout of P4 is shown in [TABLE B1-5. "P4 - Host Interface Connector - Interconnect Signals"](#) below:

TABLE B1-5. P4 - Host Interface Connector - Interconnect Signals

<i>Pin No.</i>	<i>Signal Name</i>	<i>Attribute</i>	<i>Description</i>
1	GND	P	Digital GND. Main GND plane.
2			

TABLE B1-5. P4 - Host Interface Connector - Interconnect Signals

<i>Pin No.</i>	<i>Signal Name</i>	<i>Attribute</i>	<i>Description</i>
3	HD0	I/O, T.S.	Host Interface Bidirectional Data Port HD(0:15).
4	HD1		
5	HD2		
6	HD3		
7	HD4		
8	HD5		
9	HD6		
10	HD7		
11	HD8		
12	HD9		
13	HD10		
14	HD11		
15	HD12		
16	HD13		
17	HD14		
18	HD15		
19	GND	P	Digital GND. Main GND plane.
20			
21	HA0	I	Host Interface Address Line HA(0:3).
22	HA1		
23	HA2		
24	HA3		
25	HCS1	I	Host Chip-Select 1. For further explanation see P2/A22 in TABLE B1-3. "P2 - CPM Expansion - Interconnect Signals" above.
26	HCS2	I	Host Chip-Select 2. For further explanation see P2/A21 in TABLE B1-3. "P2 - CPM Expansion - Interconnect Signals" above.
27	HACK	I/O,T.S.	Host Acknowledge or Receive Host Request Output. For further explanation see P2/D24 in TABLE B1-3. "P2 - CPM Expansion - Interconnect Signals" above.
28	HREQ	O,T.S.	Host Request or Transmit Host Request Output. For further explanation see P2/D21 in TABLE B1-3. "P2 - CPM Expansion - Interconnect Signals" above.
29	HRW	I	Host Read/Write or Host Read Input. For further explanation see P2/A23 in TABLE B1-3. "P2 - CPM Expansion - Interconnect Signals" above.

TABLE B1-5. P4 - Host Interface Connector - Interconnect Signals

Pin No.	Signal Name	Attribute	Description
30	HDS	I	Host Data Strobe or Host Write Data Strobe. For further explanation see P2/A24 in TABLE B1-3. "P2 - CPM Expansion - Interconnect Signals" above.
31	HRESETb	I/O, P.U	MSC8101's Hard Reset. For further explanation see P1/C10 in TABLE B1-2. "P1 - System Expansion - Interconnect Signals" above.
32	PORSTb	I/O, P.U	Power-On-Reset. For further explanation see P1/B20 in TABLE B1-2. "P1 - System Expansion - Interconnect Signals" above.
33	3V3	P	+3.3V Power Out. These lines are connected to the main 3.3V plane of the MSC8101ADS.
34	N.C.	-	Not connected.
35	GND	P	Digital GND. Main GND plane.
36			

B•1•5 P5, P7, P8, P9, P10, P13, P14 - Logic Analyzer Connectors

These are 38 pin, SMT, high density, matched impedance connector made by AMP. They contain all MSC8101 signals unbuffered. The pinout of these connectors is shown in MSC8101ADS Schematics.

B•1•6 P6 - JTAG/OnCE Port Connector

P6 is a Motorola standard JTAG/ONCE connector for the DSP. It is a 14 pin 90° two row header connector with key. The pinout of P6 is shown in [TABLE B1-6. "P6 - JTAG/ONCE Connector - Interconnect Signals"](#) below:

TABLE B1-6. P6 - JTAG/ONCE Connector - Interconnect Signals

Pin No.	Signal Name	Attribute	Description
1	TDI	I	Transmit Data In. This is the JTAG serial data input of the ADS, sampled on the rising edge of TCK.
2	GND	P	Digital GND. Main GND plane.
3	TDO	O	Transmit Data Output. This the MSC8101's JTAG serial data output driven by Falling edge of TCK.
4	GND	P	Digital GND. Main GND plane.
5	TCK	I	Test port Clock. This clock shifts in / out data to / from the MSC8101ADS JTAG logic. Data is driven on the falling edge of TCK and is sampled both internally and externally on it's rising edge. TCK is pulled up internally by the MSC8101.
6	GND	P	Digital GND. Main GND plane.
7	N.C.	-	Not Connected.
8	KEY	-	No pin in connector. Serve for correct plug insertion. Not Connected.

TABLE B1-6. P6 - JTAG/ONCE Connector - Interconnect Signals

Pin No.	Signal Name	Attribute	Description
9	RST	I/O,P,U.	In fact, HRESETb. When asserted by an external H/W, generates Hard-Reset sequence for the MSC8101. During that sequence, asserted by the MSC8101 for 512 system clocks. Pulled Up on the ADS using a 1KΩ resistor. When driven by an external tool, MUST be driven with an Open Drain gate. Failure to do so might result in permanent damage to the MSC8101 and / or to ADS logic.
10	TMS	I	Test Mode Select. This signal qualified with TCK in a same manner as TDI, changes the state of the JTAG machines. This line is pulled up internally by the MSC8101.
11	VDD	P	Connect to 3.3V power supply bus. May be used for Command Converter power.
12	N.C.	-	Not Connected.
13			
14	TRSTb	I	Test port Reset. When this signal is active (Low), it resets the JTAG logic of both the MSC8101. This line is pull-down on the ADS with a 2.2KΩ resistor, to provide constant reset of the JTAG logic.

B•1•7 P12 - Ethernet Port Connector

The Ethernet connector on the MSC8101ADS - P12, is a Twisted-Pair (10-Base-T) compatible connector. It is implemented with a 90°, 8-pin, RJ45 connector, signals of which are described in [TABLE B1-8. "P17,P18 - T1/E1 Line Connectors Interconnect Signals" below](#)

TABLE B1-7. P12 - Ethernet Port Interconnect Signals

Pin No.	Signal Name	Description
1	TPTX(GRAY)	Twisted-Pair Transmit Data positive output from the MSC8101ADS.
2	TPTX~(BROWN)	Twisted-Pair Transmit Data negative output from the MSC8101ADS.
3	TPRX(YELLOW)	Twisted-Pair Receive Data positive input to the MSC8101ADS.
4	(RED, GREEN)	Bob Smith terminated on the MSC8101ADS.
5		
6	TPRX~(BLACK)	Twisted-Pair Receive Data negative input to the MSC8101ADS.
7	(BLUE, ORANGE)	Bob Smith terminated on the MSC8101ADS.
8		

B•1•8 P15,P16 - SMB Connectors

These are RF Subminiature Coaxial Connectors.

B•1•9 P17,P18 - Double RJ45 T1/E1 Line Connectors

The T1/E1 connectors Twisted-Pair compatible connector. It is implemented with a 90°, 8-pin, double RJ45 connector, signals of which are described in [TABLE B1-8. "P17,P18 - T1/E1 Line](#)

Connectors Interconnect Signals" below

TABLE B1-8. P17,P18 - T1/E1 Line Connectors Interconnect Signals

Pin No.	Signal Name	Description
A1	RX1+	Twisted-Pair Receive Data 1-ch. positive input from the MSC8101ADS.
A2	RX1-	Twisted-Pair Transmit Data 1-ch. positive input from the MSC8101ADS.
A3	GND	Digital Ground plane.
A4	TX1+	Twisted-Pair Transmit Data 1-ch. positive output from the MSC8101ADS.
A5	TX1-	Twisted-Pair Transmit Data 1-ch. negative output from the MSC8101ADS.
A6	GND	Digital Ground plane.
A7	N.C.	Not Connected.
A8		
B1	RX2+	Twisted-Pair Receive Data 2-ch. positive input from the MSC8101ADS.
B2	RX2-	Twisted-Pair Transmit Data 2-ch. positive input from the MSC8101ADS.
B3	GND	Digital Ground plane.
B4	TX2+	Twisted-Pair Transmit Data 2-ch. positive output from the MSC8101ADS.
B5	TX2-	Twisted-Pair Transmit Data 2-ch. negative output from the MSC8101ADS.
B6	GND	Digital Ground plane.
B7	N.C.	Not Connected.
B8		

B•1•10 P19,P21,P24 - Stereo Phone Jack Connectors

These are stereo 5-pin headphone connector with pinout as shown in [TABLE B1-8. "P17,P18 - T1/E1 Line Connectors Interconnect Signals" below](#)

TABLE B1-9. P19,P21,P24 - Stereo Phone Connectors Interconnect Signals

Pin No.	Signal Name	Description
1	RIGHT	Right channel
2	SPEAKER RIGHT	Not connected
3	COMMON	Analog Ground. Connect to AGND1 plane.
4	LEFT	Left channel ^a
5	SPEAKER LEFT	Not connected

a. Not connected for Microphone Mono P19 connector.

B•1•11 P20,P22,P23,P25 - RCA Jack Connectors

These are RCA Audio Connectors.

B•1•12 P26 - 5V Power Supply Connectors

See [FIGURE 3-4, "P26: +5V Power Connector"](#) on page 21 .

B•1•13 P27A,B - RS232 Ports' Connectors

The RS232 ports' connectors - PA3 and PB3 are 9 pin, 90°, female D-Type Stacked connectors, signals of which are presented in [TABLE B1-10. "P27A Interconnect Signals"](#) and [TABLE B1-11. "P27B Interconnect Signals"](#)

TABLE B1-10. P27A Interconnect Signals

<i>Pin No.</i>	<i>Signal Name</i>	<i>Description</i>
A1	RSCD	Carrier Detect output from the MSC8101ADS.
A2	TXD	Transmit Data output from the MSC8101ADS.
A3	RXD	Receive Data input to the MSC8101ADS.
A4	DTR	Data Terminal Ready input to the MSC8101ADS.
A5	GND	Ground signal of the MSC8101ADS.
A6	DSR	Data Set Ready output from the MSC8101ADS shorted to pin 1
A7	N.C.	Not connected
A8	CTS	Clear To Send output from the MSC8101ADS.
A9	N.C.	Not connected

TABLE B1-11. P27B Interconnect Signals

<i>Pin No.</i>	<i>Signal Name</i>	<i>Description</i>
B1	N.C.	Not connected
B2	TXD	Transmit Data output from the MSC8101ADS.
B3	RXD	Receive Data input to the MSC8101ADS.
B4	N.C.	Not connected
B5	GND	Ground signal of the MSC8101ADS.
B6-B9	N.C.	Not connected

APPENDIX C - Program Information

Freescale Semiconductor, Inc.

The MSC8101 has one programmable logic device - Altera CPLD, serving control and status function on the ADS. It implemented an U2 EPM7128ATC144-7. The design is done in AHDL program format and is listed below:

C•1 Logic Equations

C•1•1 First Include File

```

%*****bcsrA.inc *****%
% TITLE "MSC8101 ADS Board Control and Status Register."; %
% Written by Yehuda Palchan - November , 1999 %
% This file defines the Constant declarations used by the BCSR %
%*****%

-- The reserved lines are granted with ACTIVE/NOT ACTIVE states.

-----

--BCSR0 --

-----

CONSTANT HOSTCSP_POSITIVE= 1;    CONSTANT HOSTCSP_NEGATIVE = 0;
CONSTANT HOSTRQAC_DEF = 0;
CONSTANT HOSTTRI_DEF= 1;
CONSTANT E1EN_ENABLED = 0;    CONSTANT E1EN_DISABLED = 1;
CONSTANT CODEC_ENABLED = 0;CONSTANT CODEC_DISABLED= 1;
CONSTANT FrmRst_ON = 0;    CONSTANT FrmRst_OFF = 1;
CONSTANT SIGNAL_LAMP_OFF = 1; -- INDICATOR FOR LAMP OFF
CONSTANT SIGNAL_LAMP_ON = 0; -- INDICATOR FOR LAMP ON

-----

--BCSR1 --

-----

CONSTANT RSV1_0_ACTIVE = 1;    CONSTANT RSV1_0_NACTIVE = 0;
CONSTANT RSV1_1_ACTIVE = 1;    CONSTANT RSV1_1_NACTIVE = 0;
CONSTANT ATM_ENABLED = 0;CONSTANT ATM_DISABLED = 1;
CONSTANT ATM_RST_ON= 0;CONSTANT ATM_RST_OFF= 1;
CONSTANT FETHI_ENABLED= 0;CONSTANT FETHI_DISABLED = 1;
CONSTANT FETH_RST_ON= 0;CONSTANT FETH_RST_OFF= 1;
CONSTANT RS232_1_ENABLED= 0;CONSTANT RS232_1_DISABLED= 1;
CONSTANT RS232_2_ENABLED= 0;CONSTANT RS232_2_DISABLED = 1;

-----

--BCSR3 --

-----

CONSTANT EE0_ACTIVE = 0;    CONSTANT EE0_NACTIVE = 1;
CONSTANT EE1_ACTIVE = 0;    CONSTANT EE1_NACTIVE = 1;
CONSTANT EE2_ACTIVE = 0;    CONSTANT EE2_NACTIVE = 1;
CONSTANT EE3_ACTIVE = 0;    CONSTANT EE3_NACTIVE = 1;
CONSTANT EE4_ACTIVE = 0;    CONSTANT EE4_NACTIVE = 1;
CONSTANT EE5_ACTIVE = 0;    CONSTANT EE5_NACTIVE = 1;
CONSTANT EED_ACTIVE = 0;    CONSTANT EED_NACTIVE = 1;
CONSTANT RSV3_7_ACTIVE = 1;    CONSTANT RSV3_7_NACTIVE = 0;

```

C-1-2 Second Include file

```

%*****ResetEnsure.tdf *****%
% TITLE "MSC8101 ADS Board Control and Status Register."; %
% Written by Yehuda Palchan - February , 2000 %
% This file defines the Reset Ensure State Machine %
%*****%

SubDesign Reset_Ensure
(
Clk: INPUT;
Reset: INPUT;
PushBtn : INPUT;
Rst_True: OUTPUT;
)
Variable
RstEnsureMachine: MACHINE WITH STATES (Start, Rst1, Rst2, Rst3);
Begin
RstEnsureMachine.clk= Clk;-- Initialize
    RstEnsureMachine.reset= Reset;

CASE RstEnsureMachine IS
When Start =>-- Poreset State
Rst_True= GND;
if PushBtn == 1 then
RstEnsureMachine= Start;
else
RstEnsureMachine= Rst1;-- PushButton Pressed
end if;
When Rst1=>-- First check of PushButton Succeeded
Rst_True= GND;
if PushBtn== 1 then
RstEnsureMachine= Start;
else
RstEnsureMachine= Rst2;
end if;
When Rst2=>-- Second check of PushButton Succeeded
Rst_True= GND;
if PushBtn== 1 then
RstEnsureMachine= Start;
else
RstEnsureMachine= Rst3;
end if;
When Rst3=>-- Third check of PushButton Succeeded
Rst_True= VCC;
if PushBtn== 1 then
RstEnsureMachine= Start;
else
RstEnsureMachine= Rst3;
end if;
end case;

End;

```

C-1-3 Main File

```

%*****bcsr.tdf *****%
    TITLE "MSC8101ADS Board Control and Status Register.";
%       Written by Dragilev Lev, MSIL                               %
%       Rev B Version Release 1.0 31/10/2002                       %
%       This file declares the BCSR registers and their functions   %
%       It also controllls the Codec, Flash, RS232, T1/E1 Framer,Host %
%       Interface and ATM devices.                                  %
%       Modifid from rev2.1 (MSC8101revA source)                   %
%*****%
% Changes description to rev 2.1:                                   %
%     1. Support programmed Power-On-Reset.                         %
%     2. Added bit BCSR1/1 - CODEC_EN to enable CODEC together     %
%     3. Added MODCK1-6 write register BCSR4 using for change PLL mode %
%         by pogramming. Updated PLL (MODCK) setting will be produced %
%         during PORESET sequence that initiated by writting B"10" to %
%         the register BCSR4/0-1.                                   %
% Rev 1.1:                                                         %
%     1. Added PRST ensure function to stable BCSR initialize.     %
%     2. Release PSDVAL from "BCSR write" equation to provide     %
%         bus high frequency                                       %

INCLUDE "Reset_Ensure";
INCLUDE "bcsr";
INCLUDE "lpm_counter";
INCLUDE "lpm_shiftreg";
INCLUDE "freqdiv";

OPTIONS BIT0 = ANY;-- allows [a..b] and [b..a] alignment
%
%*****
%***** BCSR0 Power On Default Assignments *****
%*****
%

CONSTANT HOSTCSP_PON_DEFAULT = HOSTCSP_NEGATIVE;
CONSTANT HOSTRQAC_PON_DEFAULT= HOSTRQAC_DEF;
CONSTANT HOSTTRI_PON_DEFAULT= HOSTTRI_DEF;
CONSTANT T1_1EN_PON_DEFAULT  = T1_1EN_DISABLED;
CONSTANT T1_234EN_PON_DEFAULT = T1_234EN_DISABLED;
CONSTANT FrmRst_PON_DEFAULT  = FrmRst_OFF;
CONSTANT SIG_LMP0_PON_DEFAULT = SIGNAL_LAMP_OFF;
CONSTANT SIG_LMP1_PON_DEFAULT = SIGNAL_LAMP_OFF;

%
%*****
%***** BCSR1 Power On Default Assignments *****
%*****
%

CONSTANT SBOOT_EN_PON_DEFAULT = SBOOT_ENABLE;
CONSTANT CODEC_EN_PON_DEFAULT      = CODEC_ENABLE;
CONSTANT ATM_ENABLE_PON_DEFAULT= ATM_DISABLED;
CONSTANT ATM_RST_PON_DEFAULT= ATM_RST_OFF;
CONSTANT FETHIEN_PON_DEFAULT= FETHI_DISABLED;
CONSTANT FETH_RST_PON_DEFAULT= FETH_RST_OFF;
CONSTANT RS232_1_ENABLE_PON_DEFAULT = RS232_1_DISABLED;
CONSTANT RS232_2_ENABLE_PON_DEFAULT = RS232_2_DISABLED;

%
%*****

```

***** BCSR3 Power On Default Assignments *****

%

```

CONSTANT EE0_PON_DEFAULT = EE0_ACTIVE;
CONSTANT EE1_PON_DEFAULT = EE1_ACTIVE;
CONSTANT EE2_PON_DEFAULT = EE2_ACTIVE;
CONSTANT EE3_PON_DEFAULT = EE3_ACTIVE;
CONSTANT EE4_PON_DEFAULT = EE4_ACTIVE;
CONSTANT EE5_PON_DEFAULT = EE5_ACTIVE;
CONSTANT EED_PON_DEFAULT = EED_ACTIVE;
CONSTANT RSV3_7_PON_DEFAULT = RSV3_7_NACTIVE;
    
```

%

***** Default Assignments *****

%

```

CONSTANT BCSR_WRITE_ACTIVE= 0;
CONSTANT REGULAR_PON_RESET_ACTIVE = 0;
CONSTANT DATA_HOLD_VALUE= 3;
CONSTANT EE0_HOLD_VALUE = 4000;
CONSTANT EE45_HOLD_VALUE = 1000;
CONSTANT PRST_Ensure_VALUE = 31;
    
```

```

CONSTANT SHIFT_LENGTH= 4; -- LENGTH OF HRD/HRW DELAY SHIFTER
CONSTANT SIZE0 = 7; -- MSB of the BCSR0
CONSTANT SIZE1 = 7; -- MSB of the BCSR1
CONSTANT SIZE3 = 7; -- MSB of the BCSR3
CONSTANT SIZE4 = 7; -- MSB of the BCSR4
CONSTANT SIZE5 = 7; -- MSB of the BCSR5
CONSTANT SIZE6 = 2; -- MSB of the BCSR6
    
```

 -- Hard Reset Configuration Word --

```

CONSTANT EARB_DEFAULT= 0;
CONSTANT EXMC_DEFAULT= 0;
CONSTANT IRQ7INT~_DEFAULT = 1;
CONSTANT EBM_DEFAULT= 0;
CONSTANT BPS_DEFAULT0 = 1;
CONSTANT BPS_DEFAULT1 = 1;
CONSTANT SCDIS_DEFAULT= 0;
CONSTANT ISPS_DEFAULT= 0;
CONSTANT IRPC_DEFAULT0 = 0;
CONSTANT IRPC_DEFAULT1 = 0;
CONSTANT DPCC_DEFAULT0= 0;
CONSTANT DPCC_DEFAULT1= 0;
CONSTANT NMIOUT_DEFAULT= 0;
CONSTANT ISB_DAFULT0= 0;
CONSTANT ISB_DAFULT1= 0;
CONSTANT ISB_DAFULT2= 0;
CONSTANT BMS_DEFAULT= 0;
CONSTANT RSVHR16 = 0;
CONSTANT BBD_DEFAULT= 0;
CONSTANT RSVHR18 = 0;
CONSTANT RSVHR19 = 0;
CONSTANT RSVHR20 = 0;
CONSTANT RSVHR21 = 0;
    
```

```

CONSTANT TCPC_DEFAULT0 = 1;
CONSTANT TCPC_DEFAULT1 = 0;
CONSTANT BC1PC_DEFAULT0 = 0;
CONSTANT BC1PC_DEFAULT1 = 0;
CONSTANT RSVHR26 = 0;
-- CONSTANT DLLDIS_DEFAULT= 0; -- Get value from DIP-Switch
CONSTANT RSVHR31 = 0;

SUBDESIGN bcsr
(
    clock,
    ExtClk, -- External/Osc clock for EEinit (BCSR3)
    CS1~, -- BCSR SELECT From DSP
    W_R~,
    A[27..29], A7,A8 -- Flash address
                    : INPUT;
    EE0, EE1, EE2, EE3, EE4, EE5, EED -- EE pins
                                        : BIDIR;
    DBGEN~, -- Debug Enable from Dip-SW (Defines Boot EE0)
    BTM0, -- EE4 from Dip-SW (Defines Boot EE4)
    BTM1, -- EE5 from Dip-SW (Defines Boot EE5)
    PRST~, -- Power-on-Reset for Altera only
    RstSoft~, -- connected to SoftReset P.B.
    RstHard~, -- connected to HardReset P.B.
    RstNMI~ -- connected to Abort(NMI) pushbutton
                    : INPUT;
    R_PORI~
                    : BIDIR; -- Regular Power-On-Reset from voltage detector.
    MODCK[1..3], -- MODCK dip-switch bits 1 through 3
    MODCK_H[1..3] -- MODCK dip-switch bits 4 through 6
                    : INPUT;
    MODCK_BNK[0..2], -- SDRAM BANK SELECT
    NMI~ : OUTPUT;
    HDSP, -- HOST RD/WR polarity
    H8BIT, -- HOST SPARE
    HOSTPD, -- HOST PRESENCE DETECT
    HOSTCFG~ : INPUT; -- HOSTCFG signal from DIP-SW (Active LOW)
    HDIMDEN~, -- HOST SW ENABLE
    RSTCNF~ : OUTPUT; -- RESET CONFIG to 8101
    SRESET~, -- Soft Reset (O.D.)
    HRESET~ : BIDIR; -- Hard Reset (O.D.)
    HDILED~, -- HOST LED (O.D.)
    BPOE~, -- FLASH OE *** Option ***
    WEO, -- WEO *** Option ***
    PSDVAL~ -- PSDVAL *** Option ***
                    : BIDIR;
    TEA~ : OUTPUT; -- Transfer Error Acknowledge (O.D.) *** Option ***
    F_CFG_EN~, -- Flash Config Enable from Ext. Switch
    F_CS0~, -- Flash CS from DSP
    AtmUniCsIn~, -- ATM Frammer CS from DSP
    ToolCs1~, -- Ext Tool CS line 1.
    ToolCs2~, -- Ext Tool CS line 2.
    FrmCs_In~, -- T1/E1 Frammer CS from DSP.
    DLLDIS -- Input from jumper JP1 for DLL bypass when open
                    : INPUT;
    FrmCs_Out~, -- Frammer CS out to Frammer.
    ToolDataBufEn~, -- Enable for Tool Buffers.
    DataBufEn~, -- Enable for Data Bus Buffers to/from ALTERA.
    BCSR2_CS~, -- Enable for Status Buffer

```



```

SBOOTEN_OUT~,          -- Enable Boot to serial EEPROM
F_CS1~,
F_CS2~,
F_CS3~,
F_CS4~,          -- External FLASH memory chip-selects 1,2,3,4
SPARE1

: OUTPUT;

%*****%
% Host Interface Definition %
%*****%

HDI_EN~,          -- Host Enable to Buffer
HRRQ_EN~,    -- Host Recieve Request Enable
HACK_EN~,      -- Host Acknowledge Enable
HDI_WR          -- Host Data Write
: OUTPUT;

HRD_HRW~,      -- Host RD/RW
HCS1~,          -- Host CS1
HCS2~,          -- Host CS2
HDDS           -- Dual Data Strobe
: INPUT;

%*****%
*          BCSR0 OUTPUT          *
%*****%
T1_EN_OUT~      -- T1 Buffers Enable
: OUTPUT;

T1_1LED~,      -- LED indicates when T1 port 1 is available
T234_EN_OUT~   -- T1 Channels 2,3,4 enable
: BIDIR;

FrmRst_Out~, -- Framer Reset.
SIG_LAMP0_OUT~, -- AUX Output 0 for USER Software Green LED Indicator
SIG_LAMP1_OUT~ -- AUX Output 1 for USER Software Red LED Indicator
: OUTPUT;

%*****%
*          BCSR1 OUTPUT          *
%*****%
CODECEN_OUT~   -- Enable CODEC
: BIDIR;

ATM_EN_OUT~, -- ATM Enable
ATM_RST_OUT~, -- Reset to ATM (This line is also HRESET~ driven)
FETHIEN_OUT~, -- Fast Ethernet Port Initial Enable
FETH_RST_OUT~, -- Fast Ethernet Port Reset
RS232EN_1_OUT~, -- RS232 Port 1 Enable
RS232EN_2_OUT~ -- RS232 Port 2 Enable
: OUTPUT;

%*****%
*          Flash Presence Detect BITS          *
%*****%
FLASH_PD_IN[4..1] -- Flash Presence Detect[7..1]
: INPUT;

%*****%
*          DATA BUS          *
%*****%

```

Freescale Semiconductor, Inc.

```

D[0..7]      : BIDIR;      -- Bidirectional 8-bit wide Data Bus
DUMMY       : BIDIR;      -- Blank - Schematic's bug workaround

)
VARIABLE
Bcsr0[0..SIZE0],
Bcsr1[0..SIZE1],
Bcsr4[2..SIZE4],      -- BCSR4 is utilized for MODCK reconfig - Service Register 1
Bcsr5[0..SIZE5],      -- BCSR5 is utilized to program synthesizer - Service Register 2
Bcsr6[0..SIZE6],      -- BCSR6 is utilized to program synthesizer - Service Register 3
WE0Spare,      -- *** Option ***
HOST_EN,
SyncHardReset,
DSyncHardReset, -- Double D-ff to double synchronize the HRESET input.
FlashOE,      -- optional Flash OE (BPOEb)
SyncTEA      -- optional cell for TEA~ line
              : DFF;

Data_Buff[0..SIZE0]
              : TRI;

DivEn,      -- Starter for divider to produce PONRESET pulse from clock
-- WDEn,      -- Starter for divider to produce WD
StartStopWD      -- Control WD
              : SRFF;

HRESET_FEdge      : lpm_counter WITH (LPM_WIDTH = 2, LPM_DIRECTION = "UP");

SoftRstMachin,
AbortRstMachin,
HardRstMachin : Reset_Ensure; --State Machines for Push Buttons
HRD_SHIFT      : lpm_shiftreg WITH (LPM_WIDTH = SHIFT_LENGTH);
DATA_HOLD      : lpm_counter WITH (LPM_WIDTH = 2, LPM_DIRECTION = "UP");
% The Reset Ensure Code disables the debouncing of all 3 reset push buttons
  in case of 3 msec bouncing time (Equal count is 2^19)%
ResetEnsure      : lpm_counter WITH (LPM_WIDTH = 19, LPM_DIRECTION = "UP");
PRST_Ensure      : lpm_counter WITH (LPM_WIDTH = 5, LPM_DIRECTION = "UP");
% Provide Altera safe Power-on-Reset to initiate BCSR4 register %
EE0_HOLD      : lpm_counter WITH (LPM_WIDTH = 12, LPM_DIRECTION = "UP");
% Hold EE0 in high up to X clocks after HRESET becomes disasserted to enter the chip
  into the debug mode%
EE45_HOLD      : lpm_counter WITH (LPM_WIDTH = 10, LPM_DIRECTION = "UP");
% Hold EE4,EE5 setting up to X clocks after SRESET becomes disasserted for correct boot %
POR_IMPULSE1,      -- First 4 bit Stage
POR_IMPULSE2,      -- Second 4 bit Stage
WD_TIMER1,      -- WD first 4 bit stage
WD_TIMER2,      -- WD second 4 bit stage
WD_TIMER3,      -- WD third 4 bit stage
WD_TIMER4,      -- WD fourth 4 bit stage
WD_TIMER5,      -- WD fifth 4 bit stage
WD_TIMER6,      -- WD sixth 4 bit stage
WD_TIMER7,      -- WD seventh 4 bit stage
WD_TIMER8,      -- WD eighth 4 bit stage
              : freqdiv; -- Dividers to provide PONRESET pulse from Clock Osc

SM73288X,      -- Flash Devices available
SM73248X,
SM73228X,
FLASH_BANK1,
FLASH_BANK2,
FLASH_BANK3,
FLASH_BANK4,
FIRST_CFG_BYTE_READ,

```

```

SCND_CFG_BYTE_READ,
THIRD_CFG_BYTE_READ,
FOURTH_CFG_BYTE_READ,
F_PD[4..1],

T1_EN_OUT_NODE,
T234_EN_OUT_NODE,
CODECEN_OUT_NODE,
FETHIEN_OUT_NODE,

CONF_ADD[0..1],-- CONFIGURATION ADDRESS
CFG_BYTE0[0..7],
CFG_BYTE1[0..7],
CFG_BYTE2[0..7],
CFG_BYTE3[0..7],
END_OF_FLASH_READ,-- "1" if DSP has ended Flash reading
END_OF_ATM_READ,-- "1" if DSP has ended ATM reading
DATA_HOLD_END,      -- "1" if Data_Hold counter has reached its limit
EE0_HOLD_END,       -- "1" if EE0_Hold counter has reached its limit
EE45_HOLD_END,      -- "1" if EE45_Hold counter has reached its limit
END_OF_IMPULSE,     -- End of PORESET pulse when divider will achive max value
END_OF_WD_TIMER,    -- End of WD count
EEPROM_ENABLE,      -- Access to EEPROM is available (write/read)
RESETS,
CLEAR_TO_WD_CTRL,   -- Misc Node
WritetoBcsr,
PRST_Ensure_END     -- End of Altera PRST count
                    : NODE;

%
*****
***** BCSRs Bits Description *****
*****
%
%*****
*   BCSR0                                     *
*****%

HOSTCSP,      -- BCSR0 Bit 0. Host CS Polarity
HOSTRQAC,     -- BCSR0 Bit 1. Host Request or Acknowledge Select
HOSTTRI,      -- BCSR0 Bit 2. Host Request or Acknowledge Enable
T1_1EN~,     -- BCSR0 BIT 3. T1 port 1 enable
T1_234EN~,   -- BCSR0 Bit 4. T1 ports 1,2,3 are enable
FrmRst~,     -- BCSR0 Bit 5. Framer Reset
SIGNAL_LAMP_0~,-- BCSR0 Bit 6. LED0 illuminate command.
SIGNAL_LAMP_1~,-- BCSR0 Bit 7. LED1 illuminate command.

%*****
*   BCSR1                                     *
*****%

SBOOT_EN~,   -- BCSR1 Bit 0. Serial BOOT Enable
CODEC_EN~,   -- BCSR1 Bit 1. CODEC with Ethernet Enable
ATM_EN~,     -- BCSR1 Bit 2. ATM Port enable
ATM_RST~,    -- BCSR1 Bit 3. ATM Port Reset
FETHIEN~,   -- BCSR1 Bit 4. Fast Ethernet Port Initial enable
FETH_RST~,  -- BCSR1 Bit 5. Fast Ethernet Port Reset
RS232EN_1~, -- BCSR1 Bit 6. RS232 port 1 enable
RS232EN_2~, -- BCSR1 Bit 7. RS232 port 2 enable

%*****

```

```

* BCSR3
*****%

EE0_node,
EE1_node,
EE2_node,
EE3_node,
EE4_node,
EE5_node,
EED_node,
RSV3_7,

%*****
* BCSR4 - Write Register
*****%
GO,          -- PORESET pulse start when write high
RSV4_1,     -- Should be zero for produce PORESET pulse
MODCK4r,   -- Registered MODCK4
MODCK5r,   -- Registered MODCK5
MODCK6r,   -- Registered MODCK6
MODCK1r,   -- Registered MODCK1
MODCK2r,   -- Registered MODCK2
MODCK3r,   -- Registered MODCK3

-----

IRQ0,          -- non-maskable interrupt
Bcsr0Write~,
Bcsr1Write~,
Bcsr4Write~,
Bcsr5Write~,   -- 5,6 service registers
Bcsr6Write~,   -- for ext. synthesizer tool programming
MPC_WRITE_BCSR_0,
MPC_WRITE_BCSR_1,
MPC_WRITE_BCSR_4,
MPC_WRITE_BCSR_5,
MPC_WRITE_BCSR_6,
MPC_READ_BCSR_0,
MPC_READ_BCSR_1,
MPC_READ_BCSR_2,
MPC_READ_BCSR_3,
MPC_READ_BCSR_4,
MPC_READ_BCSR_5,
MPC_READ_BCSR_6,

BCSR0_PON_DEF[0..SIZE0],   -- Power ON default value of BCSR1
BCSR1_PON_DEF[0..SIZE1],   -- Power ON default value of BCSR2
BCSR3_PON_DEF[0..SIZE3],   -- Power ON default value of BCSR3

BCSR0_PON_CONST[0..SIZE0],
BCSR1_PON_CONST[0..SIZE1],
BCSR3_PON_CONST[0..SIZE3],

MODCK_TRI[1..3],
BNK_TRI[0..2],
HARD_RESET_ACTIVE~,
REGULAR_POWER_ON_RESET,
FROM_FLASH_CNFG_WORD,
FROM_HOST_CNFG_WORD,
RESETi,          -- Both R_PORI~ or HRESET~
HardReset~,     -- Hard Reset internal

```

```

SoftReset~,                               -- Soft Reset internal
HRD_HRDW                                   -- Delayed Host RD/WR
                                           : NODE;

BEGIN
DEFAULTS
  Data_Buff[].oe = GND; -- Data Bus Output disable
  DivEn.clnr     = VCC;
END DEFAULTS;

RESETi = !HARD_RESET_ACTIVE~ or REGULAR_POWER_ON_RESET;
(
  (
    HOSTCSP,HOSTRQAC,HOSTTRI, T1_1EN~,T1_234EN~,FrmRst~,SIGNAL_LAMP_0~,SIGNAL_LAMP_1~) =
Bcsr0[0..SIZE0].q;
  (
    SBOOT_EN~,CODEC_EN~,ATM_EN~,ATM_RST~,FETHIEN~,FETH_RST~,RS232EN_1~,RS232EN_2~)=Bcsr1[0..SIZE1].q;
  (
    EE0_node,EE1_node,EE2_node,EE3_node,EE4_node,EE5_node,EED_node,RSV3_7) = (EE[0..5],EED,GND);
  (
    MODCK4r,MODCK5r,MODCK6r,MODCK1r,MODCK2r,MODCK3r) = Bcsr4[2..SIZE4].q;
%
*****
***** Power On Defaults Value Generation *****
*****
%
-----
-- BCSR0 --
-----
BCSR0_PON_CONST[0..5]      = (HOSTCSP_PON_DEFAULT,HOSTRQAC_PON_DEFAULT, HOSTTRI_PON_DEFAULT,
T1_1EN_PON_DEFAULT,T1_234EN_PON_DEFAULT,FrmRst_PON_DEFAULT );
BCSR0_PON_CONST[6..SIZE0] = (SIG_LMP0_PON_DEFAULT, SIG_LMP1_PON_DEFAULT);

-----
-- BCSR1 --
-----

BCSR1_PON_CONST[0..SIZE1] = (SBOOT_EN_PON_DEFAULT,CODEC_EN_PON_DEFAULT,ATM_ENABLE_PON_DEFAULT,

```

```

ATM_RST_PON_DEFAULT, FETHIEN_PON_DEFAULT, FETH_RST_PON_DEFAULT,
RS232_1_ENABLE_PON_DEFAULT, RS232_2_ENABLE_PON_DEFAULT);

-----
--   BCSR3   --
-----

BCSR3_PON_CONST[] = (EE0_PON_DEFAULT, EE1_PON_DEFAULT, EE2_PON_DEFAULT,
                     EE3_PON_DEFAULT, EE4_PON_DEFAULT, EE5_PON_DEFAULT,
                     EED_PON_DEFAULT, RSV3_7_PON_DEFAULT);

FOR i IN 0 to SIZE0 GENERATE
    IF(BCSR0_PON_CONST[i]) THEN BCSR0_PON_DEF[i] = VCC;
    ELSE                       BCSR0_PON_DEF[i] = GND;
    END IF;
END GENERATE;

FOR i IN 0 to SIZE1 GENERATE
    IF(BCSR1_PON_CONST[i]) THEN BCSR1_PON_DEF[i] = VCC;
    ELSE                       BCSR1_PON_DEF[i] = GND;
    END IF;
END GENERATE;

FOR i IN 0 to SIZE3 GENERATE
    IF(BCSR3_PON_CONST[i]) THEN BCSR3_PON_DEF[i] = VCC;
    ELSE                       BCSR3_PON_DEF[i] = GND;
    END IF;
END GENERATE;

%
*****
*****  END Generation *****
*****
%

%*****
*****  Clock Assignments *****
*****%

Bcsr0[].clk      = GLOBAL(clock);
Bcsr1[].clk      = GLOBAL(clock);
Bcsr4[].clk      = ExtClk;
Bcsr5[].clk      = ExtClk;
Bcsr6[].clk      = ExtClk;
DivEn.clk        = ExtClk;
SyncHardReset.clk = ExtClk;
DSyncHardReset.clk = ExtClk;
PRST_Ensure.clock = ExtClk;
EE0_HOLD.clock   = ExtClk;
EE45_HOLD.clock  = ExtClk;
POR_IMPULSE1.clk = ExtClk;
WD_TIMER1.clk    = ExtClk;
--WDEn.clk       = ExtClk;
SyncTEA.clk      = GLOBAL(clock);
FlashOE.clk      = GLOBAL(clock);
HOST_EN.clk      = R_PORI~;
DATA_HOLD.clock  = GLOBAL(clock);

ResetEnsure.clock = GLOBAL(clock);
HRD_SHIFT.clock   = GLOBAL(clock);

```

```

WE0Spare.clk = GLOBAL(clock);

SyncTEA.d = VCC;          -- for optional use
TEA~ = OPNDRN(SyncTEA.q);
FlashOE.d = VCC;
BPOE~ = OPNDRN(FlashOE);
PSDVAL~ = OPNDRN(VCC);
WE0Spare.d = VCC;
WE0 = OPNDRN(WE0Spare);

%*****
    EE PINS
    *****%
    EE0_HOLD.aclr = !HRESET~;
    EE0_HOLD_END = (EE0_HOLD.q[] == EE0_HOLD_VALUE); -- terminal count

    IF(EE0_HOLD_END & HRESET~) THEN EE0_HOLD.cnt_en = GND; -- Disable count after term value
    ELSE
        EE0_HOLD.cnt_en = VCC;
    END IF;

    EE45_HOLD.aclr = !SRESET~; -- Holding Boot Mode Setting (EE4,EE5) after negation SRESET
    EE45_HOLD_END = (EE45_HOLD.q[] == EE45_HOLD_VALUE); -- terminal count

    IF(EE45_HOLD_END & SRESET~) THEN EE45_HOLD.cnt_en = GND; -- Disable count after term value
    ELSE
        EE45_HOLD.cnt_en = VCC;
    END IF;

    EE0 = TRI((DBGEN~==GND),(!HRESET~ or !EE0_HOLD_END)); -- EE0 delayed to N-clocks
    --TRI((DBGEN~==GND),(RESETi or !SRESET~)); !!!!!
    EE1 = TRI(!HOSTCFG~,RESETi); -- Assign HPE (Via EE1 net)
    EE2= TRI(GND, GND);
    EE3= TRI(GND, GND);
    EE4= TRI((BTM0==VCC),(RESETi or !SRESET~ or !EE45_HOLD_END));
    EE5= TRI((BTM1==VCC),(RESETi or !SRESET~ or !EE45_HOLD_END));
    EED= TRI(GND, GND);

    RSTCNF~ = TRI(!HOSTCFG~, RESETi); -- RSTCNF~ IS ENABLED(depends on HOSTCFG)
    -- on R_PORI~ rise.
    -- ver 2.0
    REGULAR_POWER_ON_RESET = (R_PORI~ == REGULAR_PON_RESET_ACTIVE);

    SyncHardReset.d = HRESET~; -- Check for Hard Reset
    DSyncHardReset.d = SyncHardReset.q;
    HARD_RESET_ACTIVE~ = DSyncHardReset.q;

%*****
    ***** HOST Assignments *****
    *****%

    HOST_EN.d= !HOSTCFG~ and HOSTPD;
    HDILED~ = OPNDRN(!HOST_EN);

    HDI_EN~ = !HOST_EN;
    HRRQ_EN~ = !HOSRQAC OR HDI_EN~ OR HOSTTRI;
    HACK_EN~ = HOSRQAC OR HDI_EN~ OR HOSTTRI;
    HDIMDEN~ = !HOST_EN OR REGULAR_POWER_ON_RESET;

    HRD_SHIFT.enable= VCC;
    IF(!DSyncHardReset.q) THEN HRD_SHIFT.aclr = VCC;--CLEAR SH-REG in case of Hard Reset

```

```

ELSE
    HRD_SHIFT.ac1r = GND;
END IF;

HRD_SHIFT.shiftin= HRD_HRW;--LOAD SHIFT REGISTER
HRD_HRWd= HRD_SHIFT.shiftout;--READ SHIFT REGISTER
--HDI_WR = (((!HDDS and !HRD_HRW) or (HDDS and HRD_HRWd)) and HDSP) or
-- (!(HDDS and !HRD_HRW) or (HDDS and HRD_HRWd)) and !HDSP); --ASSIGN HOST-Write NODE
-- HDI_WR = ~(HCS1 * HCS2) * (HDDS ? (HDSP ^ HRD_HRW) : ~HRD_HRW)
IF (HDDS) THEN
    -- Double Strobe Mode
    IF (!HDSP) THEN HDI_WR = !(HRD_HRW & !(HCS1 & HCS2)); -- Negative Strobe
    ELSE HDI_WR = !(HRD_HRW & !(HCS1 & HCS2)); -- Positive Strobe
    END IF;
ELSE
    -- Single Strobe Mode
    HDI_WR = !(HRD_HRW & !(HCS1 & HCS2));
END IF;
-- HDI_WR = !(HRD_HRW & !(HCS1 & HCS2));

%*****
BCSR'S READS AND WRITES
*
**
***
*****%
-- WritetoBcsr = LCELL (!CS1~ & !PSDVAL~ & W_R~);
WritetoBcsr = LCELL (!CS1~ & W_R~);

!Bcsr0Write~ = (WritetoBcsr & !A27 & !A28 & !A29 );
!Bcsr1Write~ = (WritetoBcsr & !A27 & !A28 & A29 );
!Bcsr4Write~ = (WritetoBcsr & A27 & !A28 & !A29 );
----- Service Misc. Registers -----
!Bcsr5Write~ = (WritetoBcsr & A27 & !A28 & A29 ); -- Address ending '0x14'
!Bcsr6Write~ = (WritetoBcsr & A27 & A28 & !A29 ); -- Address ending '0x18'

MPC_WRITE_BCSR_0 = (Bcsr0Write~ == BCSR_WRITE_ACTIVE);
MPC_WRITE_BCSR_1 = (Bcsr1Write~ == BCSR_WRITE_ACTIVE);
MPC_WRITE_BCSR_4 = (Bcsr4Write~ == BCSR_WRITE_ACTIVE);
MPC_WRITE_BCSR_5 = (Bcsr5Write~ == BCSR_WRITE_ACTIVE);
MPC_WRITE_BCSR_6 = (Bcsr6Write~ == BCSR_WRITE_ACTIVE);

MPC_READ_BCSR_0 = (!CS1~ & !W_R~ & !A27 & !A28 & !A29 ); -- Address ending '0x0'
MPC_READ_BCSR_1 = (!CS1~ & !W_R~ & !A27 & !A28 & A29 ); -- Address ending '0x40'
MPC_READ_BCSR_2 = (!CS1~ & !W_R~ & !A27 & A28 & !A29 ); -- Address ending '0x80'
MPC_READ_BCSR_3 = (!CS1~ & !W_R~ & !A27 & A28 & A29 ); -- Address ending '0xc0'
MPC_READ_BCSR_4 = (!CS1~ & !W_R~ & A27 & !A28 & !A29 ); -- Address ending '0x10'
----- Service Misc. Registers -----
MPC_READ_BCSR_5 = (!CS1~ & !W_R~ & A27 & !A28 & A29 ); -- Address ending '0x14'
MPC_READ_BCSR_6 = (!CS1~ & !W_R~ & A27 & A28 & !A29 ); -- Address ending '0x18'

%
*****
** BCSR0 Write Operation **
*****
%
IF (RESETi) THEN
    Bcsr0[.d] = BCSR0_PON_DEF[]; --Load default values in Reset
ELSIF (MPC_WRITE_BCSR_0) THEN
    Bcsr0[0..SIZE0].d = D[0..SIZE0]; --Read the Data Bus
ELSE
    Bcsr0[.d] = Bcsr0[.q]; --Remember last values

```



```

END IF;
%
*****
** BCSR1 Write Operation **
*****
%
IF (RESETi) THEN
    Bcsr1[.d] = BCSR1_PON_DEF[];          --Load default values when Reset
ELSIF (MPC_WRITE_BCSR_1) THEN
    Bcsr1[0..SIZE1].d = D[0..SIZE1];    --Read the Data Bus
ELSE
    Bcsr1[.d] = Bcsr1[.q];
END IF;

%
*****
** BCSR4 Service Register 1 Write Operation **
*****
%
PRST_Ensure.aclr = PRST~; PRST_Ensure.cnt_en = !PRST~;
PRST_Ensure_END = (PRST_Ensure.q[] == PRST_Ensure_VALUE); -- terminal count

IF ((PRST_Ensure_END AND !PRST~) OR END_OF_WD_TIMER) THEN
    Bcsr4[2..SIZE4].d = (MODCK_H[1..3],MODCK[1..3]);
    --Load MODCK default values from DIP-Switch
ELSIF (MPC_WRITE_BCSR_4) THEN
    Bcsr4[2..SIZE4].d = D[2..SIZE4];    --Write to the Register
ELSE
    Bcsr4[2..SIZE4].d = Bcsr4[2..SIZE4].q;
END IF;

%
*****
** BCSR5 Service Register 2 Write Operation **
*****
%
IF (RESETi) THEN
    Bcsr5[.d] = 0;                      --Load default values when Reset
ELSIF (MPC_WRITE_BCSR_5) THEN
    Bcsr5[0..SIZE5].d = D[0..SIZE5];    --Read the Data Bus
ELSE
    Bcsr5[.d] = Bcsr5[.q];
END IF;

%
*****
** BCSR6 Service Register 3 Write Operation **
*****
%
IF (RESETi) THEN
    Bcsr6[.d] = 0;                      --Load default values when Reset
ELSIF (MPC_WRITE_BCSR_6) THEN
    Bcsr6[0..SIZE6].d = D[0..SIZE6];    --Read the Data Bus
ELSE
    Bcsr6[.d] = Bcsr6[.q];
END IF;

%
*****
** Configuration Word **
** & Buffers Read **
*****
%

```

```

-- Assign Configuration Word:

FROM_FLASH_CNFG_WORD = (F_CFG_EN~ == GND);           -- Config word was loaded from data bus
FROM_HOST_CNFG_WORD  = (HOSTCFG~ == GND);
CFG_BYTE0[0..7]= (EARB_DEFAULT,EXMC_DEFAULT,IRQ7INT~_DEFAULT,EBM_DEFAULT,BPS_DEFAULT0,BPS_DEFAULT1,
                 SCDIS_DEFAULT,ISPS_DEFAULT);
                                                    CFG_BYTE1[0..7]=
(IRPC_DEFAULT0,IRPC_DEFAULT1,DPPC_DEFAULT1,DPPC_DEFAULT0,NMIOUT_DEFAULT,ISB_DAFALUT0,
                 ISB_DAFALUT1,ISB_DAFALUT2);
CFG_BYTE2[0..7]= (RSVHR16,BBD_DEFAULT,RSVHR18,RSVHR19,RSVHR20,RSVHR21,TCPC_DEFAULT0,TCPC_DEFAULT1);
CFG_BYTE3[0..7]= (BC1PC_DEFAULT0,BC1PC_DEFAULT1,RSVHR26,LLDIS,MODCK4r,MODCK5r,MODCK6r,RSVHR31);

CONF_ADD[]=(A27,A28);

FIRST_CFG_BYTE_READ = (!F-Cs0~ & !HARD_RESET_ACTIVE~ & (CONF_ADD[] == 0) & !FROM_FLASH_CNFG_WORD
& !FROM_HOST_CNFG_WORD & !W_R~);
SCND_CFG_BYTE_READ  = (!F-Cs0~ & !HARD_RESET_ACTIVE~ & (CONF_ADD[] == 1) & !FROM_FLASH_CNFG_WORD
& !FROM_HOST_CNFG_WORD & !W_R~);
THIRD_CFG_BYTE_READ = (!F-Cs0~ & !HARD_RESET_ACTIVE~ & (CONF_ADD[] == 2) & !FROM_FLASH_CNFG_WORD
& !FROM_HOST_CNFG_WORD & !W_R~);
FOURTH_CFG_BYTE_READ= (!F-Cs0~ & !HARD_RESET_ACTIVE~ & (CONF_ADD[] == 3) & !FROM_FLASH_CNFG_WORD
& !FROM_HOST_CNFG_WORD & !W_R~);

IF (MPC_READ_BCSR_0) THEN
    Data_Buff[.oe] = VCC;
    Data_Buff[0..SIZE0].in = (HOSTCSP,HOSTRQAC,HOSTTRI,T1_1EN~,T1_234EN~, FrmRst~,SIGNAL_LAMP_0~,
    SIGNAL_LAMP_1~);
ELSIF (MPC_READ_BCSR_1) THEN
    Data_Buff[.oe] = VCC;
    Data_Buff[0..SIZE1].in = (SBOOT_EN~,CODEC_EN~,ATM_EN~,ATM_RST~,FETHIEN~,
    FETH_RST~,RS232EN_1~,RS232EN_2~);
ELSIF (MPC_READ_BCSR_3) THEN
    Data_Buff[.oe] = VCC;
    Data_Buff[0..SIZE3].in =

```

```

(EE0_node,EE1_node,EE2_node,EE3_node,EE4_node,EE5_node,EED_node
,RSV3_7);

ELSIF (MPC_READ_BCSR_4) THEN
    Data_Buff[.].oe = VCC;
    Data_Buff[0..SIZE4].in = ((!F_CFG_EN~),DLLDIS,Bcsr4[2..SIZE4].q);
ELSIF (MPC_READ_BCSR_5) THEN
    Data_Buff[.].oe = VCC;
    Data_Buff[0..SIZE5].in = Bcsr5[0..SIZE5].q;
ELSIF (MPC_READ_BCSR_6) THEN
    Data_Buff[.].oe = VCC;
    Data_Buff[0..SIZE6].in = Bcsr6[0..SIZE6].q;

-- Assign Default Configuration Word onto Data Bus:

ELSIF (FIRST_CFG_BYTE_READ) THEN
    Data_Buff[.].oe = VCC;
    Data_Buff[0..7] = CFG_BYTE0[0..7];
ELSIF (SCND_CFG_BYTE_READ) THEN
    Data_Buff[.].oe = VCC;
    Data_Buff[0..7] = CFG_BYTE1[0..7];
ELSIF (THIRD_CFG_BYTE_READ) THEN
    Data_Buff[.].oe = VCC;
    Data_Buff[0..7] = CFG_BYTE2[0..7];
ELSIF (FOURTH_CFG_BYTE_READ) THEN
    Data_Buff[.].oe = VCC;
    Data_Buff[0..7] = CFG_BYTE3[0..7];
ELSE Data_Buff[.].oe = GND;      -- Do not assign Data Bus
END IF;

D[0..SIZE0]=Data_Buff[0..SIZE0]; -- Move Data to Bus

BCSR2_CS~ = !MPC_READ_BCSR_2;      -- DSP reads external BCSR2 status

%
*****
* Reset Logic:
* Debounce the Abort(NMI), Soft-Reset and HardReset buttons & assign outputs
*****
%
SoftRstMachin.Clk= ResetEnsure.q[18];
SoftRstMachin.Reset= REGULAR_POWER_ON_RESET;
SoftRstMachin.PushBtn= RstSoft~;
SoftReset~ = !SoftRstMachin.Rst_True;

HardRstMachin.Clk= ResetEnsure.q[18];
HardRstMachin.Reset= REGULAR_POWER_ON_RESET;
HardRstMachin.PushBtn= RstHard~;
HardReset~ = !HardRstMachin.Rst_True;

AbortRstMachin.Clk= ResetEnsure.q[18];
AbortRstMachin.Reset= REGULAR_POWER_ON_RESET;
AbortRstMachin.PushBtn= RstNMI~;
IRQ0 = AbortRstMachin.Rst_True;

HRESET~ = OPNDRN(HardReset~); -- Assign Hard Reset output
SRESET~ = OPNDRN(SoftReset~);-- Assign Soft Reset output
NMI~ = OPNDRN(!IRQ0);      -- drive low to IRQ0 input of DSP

%
*****

```

```

* Buffers Enable & ATM Chip Select
*****
%
DATA_HOLD_END = (DATA_HOLD.q[] == DATA_HOLD_VALUE); -- terminal count

IF(DATA_HOLD_END & DSyncHardReset) THEN DATA_HOLD.cnt_en = GND; -- Disable count after term value
ELSE
    DATA_HOLD.cnt_en = VCC;
END IF;

END_OF_FLASH_READ = !PSDVal~ & !F_CS0~ & !W_R~ & DSyncHardReset; -- end of flash read cycle.
-- not during hard reset config

END_OF_ATM_READ = !PSDVAL~ & !AtmUniCsIn~ & !W_R~ ; -- end of atm uni m/p i/f read cycle
DataBufEn~ = (!((F_CS0~ # -- covers also hard reset config
    !CS1~ #
    !AtmUniCsIn~ # -- provides data-hold for write
    !ToolCs1~ #
    !ToolCs2~ #
    !FrmCs_OUT~ )
    & (DATA_HOLD.q[] == 0)) ; -- if no hold yet then Enable Data-Buffer
IF ( ((END_OF_FLASH_READ # END_OF_ATM_READ ) & (DATA_HOLD.q[] == 0)) #
    (DATA_HOLD.q[] != 0)) & !DATA_HOLD_END & DSyncHardReset.Q) THEN
    DATA_HOLD.aclr = GND; -- Enable Count
ELSE
    DATA_HOLD.aclr = VCC;
END IF;
ToolDataBufEn~ = (!((ToolCs1~ # !ToolCs2~) & (DATA_HOLD.q[] == 0)) ;
%
*****
* AUX indication (Use BCSR0)
*****
%
IF (!SRESET~ or REGULAR_POWER_ON_RESET or SIGNAL_LAMP_0~ == SIGNAL_LAMP_ON)
    THEN
        SIG_LAMP0_OUT~ = GND;
    ELSE
        SIG_LAMP0_OUT~ = VCC;
END IF;
IF (!HARD_RESET_ACTIVE~ or REGULAR_POWER_ON_RESET or SIGNAL_LAMP_1~ == SIGNAL_LAMP_ON)
    THEN
        SIG_LAMP1_OUT~ = GND;
    ELSE
        SIG_LAMP1_OUT~ = VCC;
END IF;

%
*****
* Equations for FETH, CODEC, T1 (ch.1-4) enables
*****
%
IF (!CODEC_EN~ # (!FETHIEN~ & !T1_234EN~ & T1_1EN~)) THEN
    -- Case for CODEC-FETH demo --
    CODECEN_OUT_NODE = GND; -- CODEC is enable
ELSE
    CODECEN_OUT_NODE = VCC; -- CODEC is disable
END IF;
IF (!T1_234EN~ & FETHIEN~) THEN
    T234_EN_OUT_NODE = GND; -- T1 ch 2-4 are enable
ELSE
    T234_EN_OUT_NODE = VCC; -- T1 ch 2-4 are disable
END IF;
IF (!FETHIEN~) THEN FETHIEN_OUT_NODE = GND; -- FETH is enable
ELSE
    FETHIEN_OUT_NODE = VCC; -- FETH is disable
END IF;
IF (!T1_1EN~ & CODEC_EN~) THEN
    T1_EN_OUT_NODE = GND; -- T1 ch.1 is enable
ELSE
    T1_EN_OUT_NODE = VCC; -- T1 ch.1 is disable

```

```

END IF;

T1_EN_OUT~ = T1_EN_OUT_NODE;
T1_1LED     = OPNDRN(T1_EN_OUT_NODE);
T234_EN_OUT~ = OPNDRN(T234_EN_OUT_NODE);
FETHIEN_OUT~ = FETHIEN_OUT_NODE;
CODECEN_OUT~ = OPNDRN(CODECEN_OUT_NODE);
DUMMY = OPNDRN(VCC); -- Test Workaround

%
*****
* ATM ENABLE AND RESET LOGIC (Use BCSR1)
*****
%
IF (ATM_EN~ == ATM_ENABLED) THEN ATM_EN_OUT~ = GND;
ELSE
    ATM_EN_OUT~ = VCC;
END IF;
IF (ATM_RST~ == ATM_RST_ON) # (!HARD_RESET_ACTIVE~) THEN ATM_RST_OUT~ = GND;
ELSE
    ATM_RST_OUT~ = VCC;
END IF;
%
*****
* FAST ETHERNET PORT RESET LOGIC (Use BCSR1)
*****
%
IF (FETH_RST~ == FETH_RST_ON) # (!HARD_RESET_ACTIVE~) THEN FETH_RST_OUT~ = GND;
ELSE
    FETH_RST_OUT~ = VCC;
END IF;
%
*****
* RS232 Transceivers Enable (Use BCSR1)
*****
%
IF (RS232En_1~ == RS232_1_ENABLED) THEN RS232EN_1_OUT~ = GND; -- RS232-1 - active
ELSE
    RS232EN_1_OUT~ = VCC; -- standby
END IF;
IF (RS232En_2~ == RS232_2_ENABLED) THEN RS232EN_2_OUT~ = GND; -- RS232-2 - active
ELSE
    RS232EN_2_OUT~ = VCC; -- standby
END IF;
%
*****
* T1/E1 Framer CS
*****
%
IF (FrmCs_In~ == GND) THEN FrmCs_OUT~ = GND;
ELSE
    FrmCs_OUT~ = VCC;
END IF;
IF ((FrmRst~ == GND) # !HARD_RESET_ACTIVE~) THEN FrmRst_OUT~ = GND;
ELSE
    FrmRst_OUT~ = VCC;
END IF;
%
*****
* Flash memory handler & Configuration Word
*****
%
F_PD[4..1] = FLASH_PD_IN[4..1]; -- load "Flash Presence Detect" lines

SM73288X = (F_PD[] == 0); -- 32MByte (4 X 8 MByte banks)
SM73248X = (F_PD[] == 1); -- 16MByte (2 X 8 MByte banks)

```

```

SM73228X = (F_PD[] == 2);-- 8MByte (1 X 8 MByte bank )

-- Declare 4 Flash Banks:

FLASH_BANK1 = ( SM73228X # (SM73248X & !A8) # ( SM73288X & !A7 & !A8) ) ;
FLASH_BANK2 = ((SM73248X & A8) # (SM73288X & !A7 & A8)) ;
FLASH_BANK3 = (A7 & !A8 & SM73288X) ;
FLASH_BANK4 = (A7 & A8 & SM73288X) ;
-- Assign the appropriate Flash Chip Select:
F_Cs1~ = !((!F_Cs0~ & FLASH_BANK1 & FROM_FLASH_CNFG_WORD) #
            (!F_Cs0~ & FLASH_BANK1 & !FROM_FLASH_CNFG_WORD & !FROM_HOST_CNFG_WORD & HARD_RESET_ACTIVE~));
F_Cs2~ = !((!F_Cs0~ & FLASH_BANK2 & FROM_FLASH_CNFG_WORD) #
            (!F_Cs0~ & FLASH_BANK2 & !FROM_FLASH_CNFG_WORD & !FROM_HOST_CNFG_WORD & HARD_RESET_ACTIVE~));
F_Cs3~ = !((!F_Cs0~ & FLASH_BANK3 & FROM_FLASH_CNFG_WORD) #
            (!F_Cs0~ & FLASH_BANK3 & !FROM_FLASH_CNFG_WORD & !FROM_HOST_CNFG_WORD & HARD_RESET_ACTIVE~));
F_Cs4~ = !((!F_Cs0~ & FLASH_BANK4 & FROM_FLASH_CNFG_WORD) #
            (!F_Cs0~ & FLASH_BANK4 & !FROM_FLASH_CNFG_WORD & !FROM_HOST_CNFG_WORD & HARD_RESET_ACTIVE~));

%
*****
* MODCK[1-3] DRIVEN
*****
%
MODCK_TRI[1..3]= (MODCK1r,MODCK2r,MODCK3r);
BNK_TRI[2]= TRI(MODCK_TRI[1], !HARD_RESET_ACTIVE~);
BNK_TRI[1]= TRI(MODCK_TRI[2], !HARD_RESET_ACTIVE~);
BNK_TRI[0]= TRI(MODCK_TRI[3], !HARD_RESET_ACTIVE~);
MODCK_BNK[0..2]= BNK_TRI[0..2];
%
*****
* BOOT FROM SERIAL EEPROM
*****
%
EEPROM_ENABLE = !SBOOT_EN~ # (BTM0 AND !BTM1);
IF (FETHIEN~ AND EEPROM_ENABLE) THEN SBOOTEN_OUT~ = GND; -- boot from serial EEPROM
ELSE
    SBOOTEN_OUT~ = VCC;
END IF;
%
*****
* DRIVE PORESET IMPULSE (RECONFIG USING BCSR4)
*****
%
DivEn.s = GND; DivEn.r = GND;
DivEn.prn = !(MPC_WRITE_BCSR_4 & (D[0..1] == B"10")) & !END_OF_WD_TIMER;
-- Preset to FF when write b'10 bit to BCSR4
DivEn.clrn = !END_OF_IMPULSE & PRST~;
END_OF_IMPULSE = POR_IMPULSE1.dv2 & POR_IMPULSE1.dv4 & POR_IMPULSE1.dv8 & POR_IMPULSE1.dv16 &
                POR_IMPULSE2.dv2 & POR_IMPULSE2.dv4 & POR_IMPULSE2.dv8 & POR_IMPULSE2.dv16;
POR_IMPULSE1.g = VCC;
POR_IMPULSE2.g = VCC;
POR_IMPULSE2.clk = POR_IMPULSE1.dv16;
POR_IMPULSE1.clr = !DivEn.q; -- Start first cascade divider if zero
POR_IMPULSE2.clr = !DivEn.q; -- Start second cascade divider if zero
R_PORi~ = OPNDRN(!DivEn.q); -- Drive PORESET with updated MODCK values
%
*****
* WATCHDOG FOR AUTO RECONFIGURATION
*****
% -- WD Start/Stop by writing B"01xxxxxx" into BCSR4
-- when count value will be achieved PORESET is forced

```

```

-- with default MODCK setting from DIP-Switch
-- PONRESET pulse resets while WD.
-- Implemented as ripple counter with 30 stages

-- WDEn.s = GND; WDEn.r = GND;
-- WDEn.prn = !(MPC_WRITE_BCSR_4 & (D[0..1] == B"10"));
-- Preset to FF when write b'10 bit to BCSR4
-- WDEn.clrn = !END_OF_WD_TIMER & !MPC_READ_BCSR_4 & PRST~;
CLEAR_TO_WD_CTRL = LCELL (PRST~);
StartStopWD.clrn = CLEAR_TO_WD_CTRL;
StartStopWD.clk = !(MPC_WRITE_BCSR_4 & (D[0..1] == B"01"));
StartStopWD.s = VCC; StartStopWD.r = VCC; --- Provide toggling

END_OF_WD_TIMER = WD_TIMER1.dv2 & WD_TIMER1.dv4 & WD_TIMER1.dv8 & WD_TIMER1.dv16 &
WD_TIMER2.dv2 & WD_TIMER2.dv4 & WD_TIMER2.dv8 & WD_TIMER2.dv16 &
WD_TIMER3.dv2 & WD_TIMER3.dv4 & WD_TIMER3.dv8 & WD_TIMER3.dv16 &
WD_TIMER4.dv2 & WD_TIMER4.dv4 & WD_TIMER4.dv8 & WD_TIMER4.dv16 &
WD_TIMER5.dv2 & WD_TIMER5.dv4 & WD_TIMER5.dv8 & WD_TIMER5.dv16 &
WD_TIMER6.dv2 & WD_TIMER6.dv4 & WD_TIMER6.dv8 & WD_TIMER6.dv16 &
WD_TIMER7.dv2 & WD_TIMER7.dv4 & WD_TIMER7.dv8 & WD_TIMER7.dv16 &
WD_TIMER8.dv2 & WD_TIMER8.dv4;

WD_TIMER1.g = StartStopWD.q; WD_TIMER2.g = StartStopWD.q; WD_TIMER3.g = StartStopWD.q; WD_TIMER4.g =
StartStopWD.q;
WD_TIMER5.g = StartStopWD.q; WD_TIMER6.g = StartStopWD.q; WD_TIMER7.g = StartStopWD.q; WD_TIMER8.g =
StartStopWD.q;

WD_TIMER2.clk = WD_TIMER1.dv16; -- Cascade
WD_TIMER3.clk = WD_TIMER2.dv16; -- Cascade
WD_TIMER4.clk = WD_TIMER3.dv16; -- Cascade
WD_TIMER5.clk = WD_TIMER4.dv16; -- Cascade
WD_TIMER6.clk = WD_TIMER5.dv16; -- Cascade
WD_TIMER7.clk = WD_TIMER6.dv16; -- Cascade
WD_TIMER8.clk = WD_TIMER7.dv16; -- Cascade

HRESET_FEdge.clock = Extclk;
HRESET_FEdge.aclr = HRESET~ OR !R_PORI~;
IF(HRESET_FEdge.q[] == 3) THEN HRESET_FEdge.cnt_en = GND; -- Disable count after term value
ELSE
HRESET_FEdge.cnt_en = VCC;
END IF;

RESETS = (HRESET_FEdge.q[] == 1) OR (HRESET_FEdge.q[] == 2) OR
!(R_PORI~ & PRST~);

WD_TIMER1.clr = RESETS; -- Reset first cascade divider
WD_TIMER2.clr = RESETS; -- Reset second cascade divider
WD_TIMER3.clr = RESETS; -- Reset third cascade divider
WD_TIMER4.clr = RESETS; -- Reset forth cascade divider
WD_TIMER5.clr = RESETS; -- Reset third cascade divider
WD_TIMER6.clr = RESETS; -- Reset forth cascade divider
WD_TIMER7.clr = RESETS; -- Reset forth cascade divider
WD_TIMER8.clr = RESETS; -- Reset forth cascade divider

SPARE1 = (HRESET_FEdge.q[] == 1) OR (HRESET_FEdge.q[] == 2);
%
*****
%
END;-- End of BCSR module

```

Free Manuals Download Website

<http://myh66.com>

<http://usermanuals.us>

<http://www.somanuals.com>

<http://www.4manuals.cc>

<http://www.manual-lib.com>

<http://www.404manual.com>

<http://www.luxmanual.com>

<http://aubethermostatmanual.com>

Golf course search by state

<http://golfingnear.com>

Email search by domain

<http://emailbydomain.com>

Auto manuals search

<http://auto.somanuals.com>

TV manuals search

<http://tv.somanuals.com>