



Nortel CallPilot

1002rp Server Hardware Installation

ATTENTION

Clicking on a PDF hyperlink takes you to the appropriate page. If necessary, scroll up or down the page to see the beginning of the referenced section.

NN44200-300

Document status: Standard
Document version: 01.01
Document date: 23 February 2007

Copyright © 2007, Nortel Networks
All Rights Reserved.

Sourced in Canada

The information in this document is subject to change without notice. The statements, configurations, technical data, and recommendations in this document are believed to be accurate and reliable, but are presented without express or implied warranty. Users must take full responsibility for their applications of any products specified in this document. The information in this document is proprietary to Nortel Networks.

The process of transmitting data and call messaging between the CallPilot server and the switch or system is proprietary to Nortel Networks. Any other use of the data and the transmission process is a violation of the user license unless specifically authorized in writing by Nortel Networks prior to such use. Violations of the license by alternative usage of any portion of this process or the related hardware constitutes grounds for an immediate termination of the license and Nortel Networks reserves the right to seek all allowable remedies for such breach.

Trademarks

*Nortel, the Nortel logo, the Globemark, and Unified Networks, BNR, CallPilot, DMS, DMS-100, DMS-250, DMS-MTX, DMS-SCP, DPN, Dualmode, Helmsman, IVR, MAP, Meridian, Meridian 1, Meridian Link, Meridian Mail, Norstar, SL-1, SL-100, Communication Server 1000, Supernode, Contact Center, Telesis, and Unity are trademarks of Nortel Networks.

3COM is a trademark of 3Com Corporation.

ADOBE is a trademark of Adobe Systems Incorporated.

ATLAS is a trademark of Quantum Corporation.

BLACKBERRY is a trademark of Research in Motion Limited.

CRYSTAL REPORTS is a trademark of Seagate Software Inc.

EUDORA is a trademark of Qualcomm.

eTrust and InoculateIT are trademarks of Computer Associates Think Inc.

DIRECTX, EXCHANGE.NET, FRONTPAGE, INTERNET EXPLORER, LINKEXCHANGE, MICROSOFT, MICROSOFT EXCHANGE SERVER, MS-DOS, NETMEETING, OUTLOOK, POWERPOINT, VISUAL STUDIO, WINDOWS, WINDOWS MEDIA, and WINDOWS NT are trademarks of Microsoft Corporation.

GROUPWISE and NOVELL are trademarks of Novell Inc.

LOGITECH is a trademark of Logitech, Inc.

MCAFEE and NETSHIELD are trademarks of McAfee Associates, Inc.

MYLEX is a trademark of Mylex Corporation.

NETSCAPE COMMUNICATOR is a trademark of Netscape Communications Corporation.

NOTES is a trademark of Lotus Development Corporation.

NORTON ANTIVIRUS and PCANYWHERE are trademarks of Symantec Corporation.

QUICKTIME is a trademark of Apple Computer, In.

RADISYS is a trademark of Radisys Corporation.

SLR4, SLR5, and TANDBERG are trademarks of Tandberg Data ASA.

SYBASE is a trademark of Sybase, Inc.

TEAC is a trademark of TEAC Corporation

US ROBOTICS, the US ROBOTICS logo, and SPORTSTER are trademarks of US Robotics.



WINZIP is a trademark of Nico Mark Computing, Inc.

XEON is a trademark of Intel, Inc.

All other trademarks and registered trademarks are the property of their respective owners.

Information for Japan Japan Denan statement

The following applies to server models 1005r, 703t, and 1002rp:

 Warning
Please be aware of the following while installing the equipment: <ul style="list-style-type: none">• Please use the connecting cables, power cord, and AC adaptors shipped with the equipment or specified by Nortel to be used with the equipment. If you use any other equipment, it may cause failures, malfunctioning or fire.• Power cords shipped with this equipment must not be used with any other equipment. If the above guidelines are not followed, it may lead to death or severe injury.
 警告
本製品を安全にご使用頂くため、以下のことにご注意ください。 <ul style="list-style-type: none">● 接続ケーブル、電源コード、ACアダプタなどの部品は、必ず製品に同梱されており添付品または指定品をご使用ください。添付品・指定品以外の部品をご使用になると故障や動作不良、火災の原因となることがあります。● 同梱されております付属の電源コードを他の機器には使用しないでください。上記注意事項を守らないと、死亡や大怪我など人身事故の原因となることがあります。

Japan VCCI statement

The following applies to server models 1005r, 703t, 201i, and 1002rp:

この装置は、情報処理装置等電波障害自主規制協議会 (VCCI) の規定に基づくクラス A 装置です。この装置を家庭環境で使用すると電波妨害を引き起こすことがあります。この場合には使用者が適切な対策を取るように要求されることがあります。

This is a Class A product based on the standard of the Voluntary Control Council for Interference by Information Technology Equipment (VCCI). If this equipment is used in a domestic environment, radio disturbance may occur, in which case, the user may be required to take corrective action.

Publication History

February 2007

CallPilot 5.0, Standard 01.01 of , *1002rp Server Hardware Installation* is issued for general release

Nortel CallPilot
1002rp Server Hardware Installation
NN44200-300 01.01 Standard
5.0 23 February 2007

Contents

Chapter 1 How to get help	9
Chapter 2 1002rp server description	11
Server features	11
Slot assignments	15
Reference Documents	15
Network connectivity	18
Supported peripheral devices	21
Chapter 3 Preparing for installation	23
Installation overview	23
Unpacking the 1002rp server	26
Removing the front bezel and server cover	27
Inspecting the server interior	29
Chapter 4 Power supply installation	33
Safety precautions	33
Installing the second power supply module (AC or DC)	34
DC wire gauge tables	36
DC rack cabling	37
About the power distribution unit	40
Bringing power and ground into the PDU	42
Chapter 5 Installing the server and connecting the peripheral devices	43
Installing the server	43
Preparing the modem	44
Connecting peripherals to the server	47
Connecting the server to the ELAN subnet	49
Connecting the server to the Nortel server subnet (optional)	51
Installing the Nortel software feature dongle	52
Connecting the server to power	53
Appendix A EMC emission level protection for the 1002rp Server	57
Index	59

Chapter 1

How to get help

This section explains how to get help for Nortel products and services.

Getting help from the Nortel Web site

The best way to get technical support for Nortel products is from the Nortel Technical Support Web site:

<http://www.nortel.com/support>

This site provides quick access to software, documentation, bulletins, and tools to address issues with Nortel products. More specifically, the site enables you to:

- download software, documentation, and product bulletins
- search the Technical Support Web site and the Nortel Knowledge Base for answers to technical issues
- sign up for automatic notification of new software and documentation for Nortel equipment
- open and manage technical support cases

Getting help over the phone from a Nortel Solutions Center

If you don't find the information you require on the Nortel Technical Support Web site, and have a Nortel support contract, you can also get help over the phone from a Nortel Solutions Center.

In North America, call 1-800-4NORTEL (1-800-466-7835).

Outside North America, go to the following Web site to obtain the phone number for your region:

<http://www.nortel.com/callus>

Getting help from a specialist by using an Express Routing Code

To access some Nortel Technical Solutions Centers, you can use an Express Routing Code (ERC) to quickly route your call to a specialist in your Nortel product or service. To locate the ERC for your product or service, go to:

<http://www.nortel.com/erc>

Getting help through a Nortel distributor or reseller

If you purchased a service contract for your Nortel product from a distributor or authorized reseller, contact the technical support staff for that distributor or reseller.

Chapter 2

1002rp server description

In this chapter

"Server features" (page 11)

"Slot assignments" (page 15)

"Network connectivity" (page 18)

"Network connectivity" (page 18)

"Supported peripheral devices" (page 21)

Reference documents

Server features

Introduction

This section provides a general overview of the 1002rp server.

Server dimensions and weight

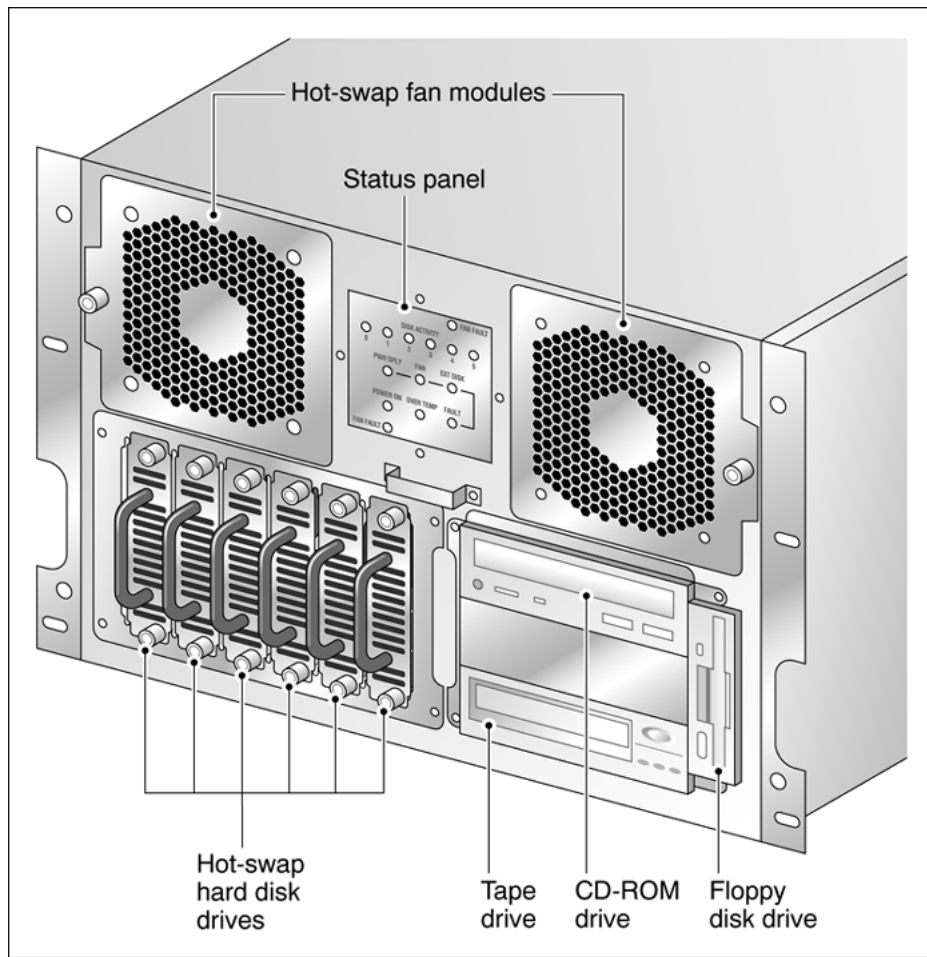
Height	320 mm (12.5 in.)
Width	483 mm (19 in.)
Depth (distance from front to back)	
• without front bezel	495 mm (19.5 in.)
• with front bezel	533 mm (21 in.)
Weight of fully loaded system	45.5 kg (100 lb)

Environmental specifications

Environmental condition	Specification
Operating temperature	10°C to 35°C (50°F to 95°F) Maximum rate of change must not exceed 10°C (50°F) per hour.
Non-operating (storage) temperature	-40°C to 70°C (-40°F to 158°F)
Non-operating humidity	95%, non-condensing at 30°C (86°F)
Altitude	1829 m (6000 ft)
Electrostatic discharge	15 kV or more
Acoustic noise	50 dBA in a typical office ambient temperature (18°C to 25°C [64.4°F to 77°F])
Operating shock	No errors with a half sine wave shock of 2G (with 1 millisecond duration)
Handling drop	Operational after a free fall from 450 mm to 600 mm (18 in. to 24 in.) (depending on weight)

Front panel features (front view without the front bezel)

The front view of the 1002rp server chassis shows redundant dual fans to the left and the right of the status panel. The left drive bay holds six SCSI hard drives with hot-pluggable carriers. The media drive bay, located to the right, houses the CD-ROM, tape drive, and floppy disk drive.



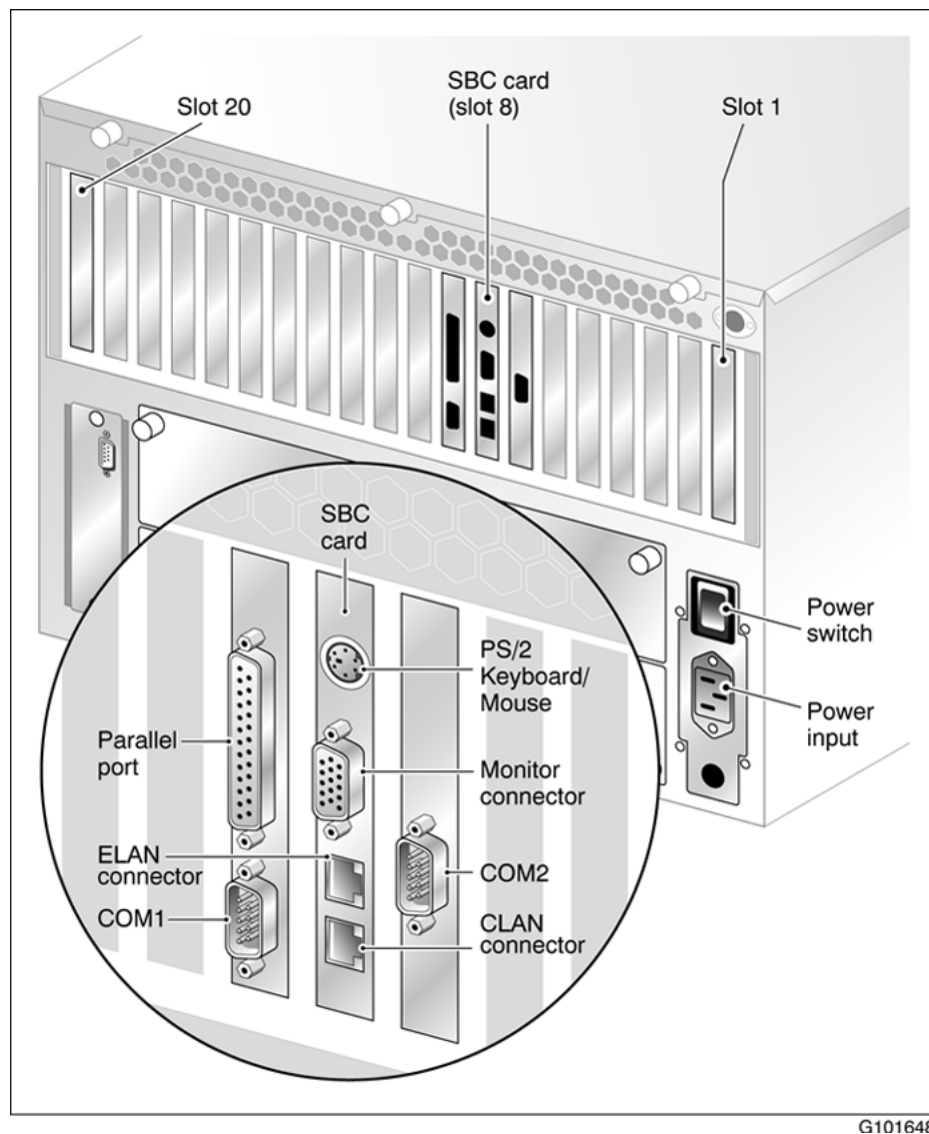
G101750

Alarm board

The alarm board is located under the baseboard. It connects to the status display panel on the front.

Rear panel diagram

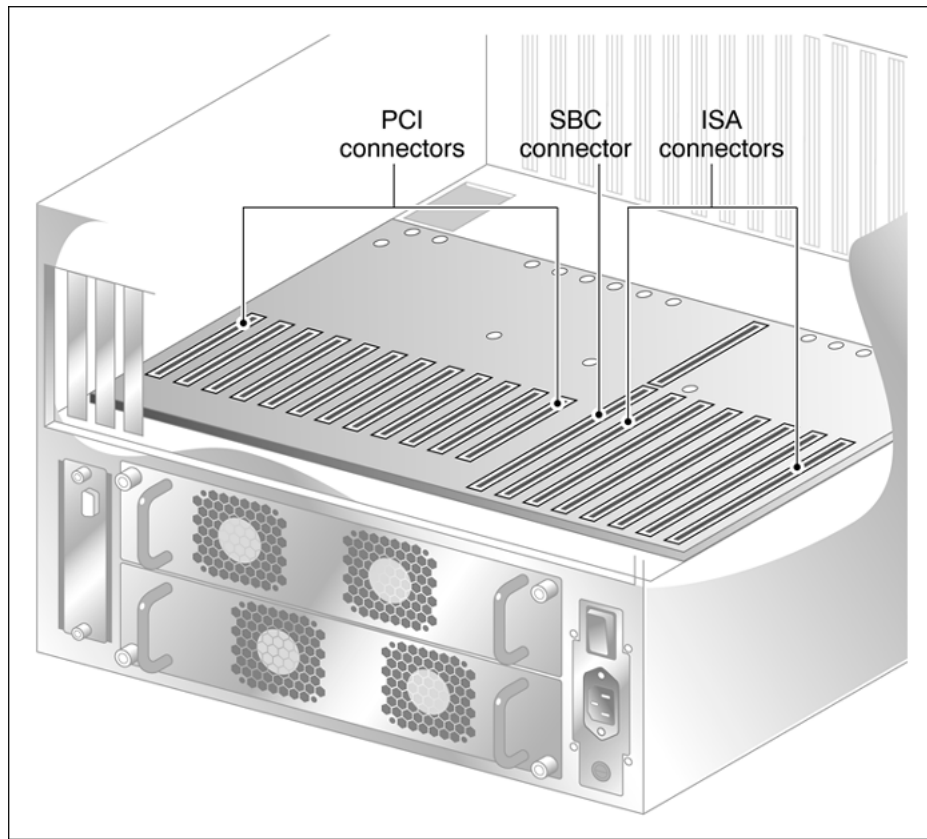
The following diagram shows the slot locations in the rear panel, and the power switch and power input for an AC server. The rest of the diagram is the same for AC or DC servers.



G101648

Overhead view of empty server showing PCI and ISA connectors

The following diagram shows the location of the PCI, SBC, and ISA connectors inside the server. The view in the diagram is from the rear of the server. For slot assignments, see ["Slot assignments"](#) (page 15). You must be able to identify slot locations for later steps in the CallPilot installation.



G101740

Slot assignments

Introduction

The slot assignment tables show the following:

- the physical location of boards inside the server, relative to other boards
- the order in which boards are installed (for example, board #1, 2, 3)
- how the boards are represented in some CallPilot Manager applications (such as the Maintenance Administration page)
- the maximum capacity for each switch connectivity

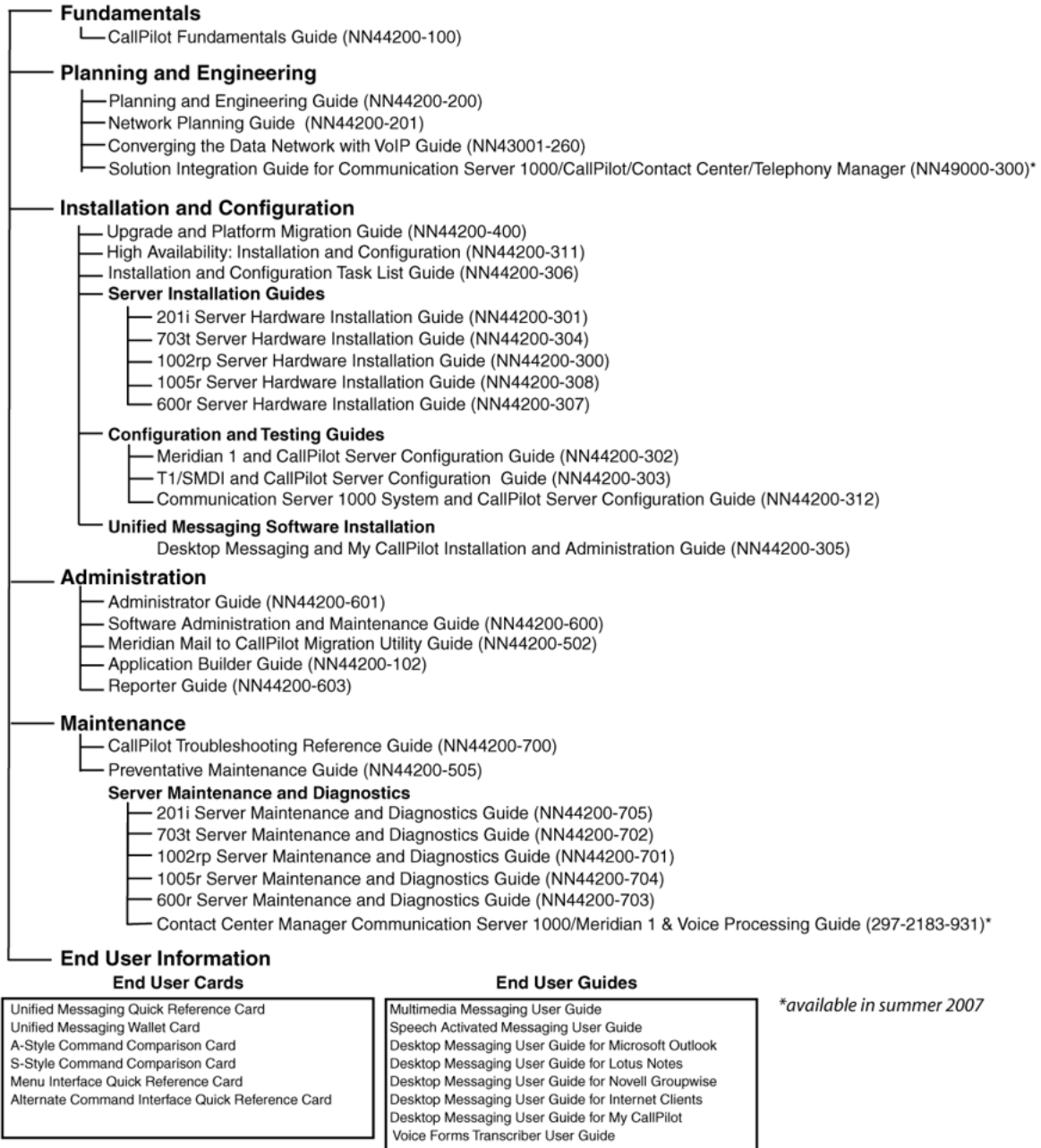
Note: Your server can vary depending on what was ordered from Nortel. Therefore, your server may not have all of the slots populated.

Reference Documents

For a list of all CallPilot documents, see the following CallPilot Customer Documentation Map.



CallPilot Customer Documentation Map



*available in summer 2007

Slot definition and slot numbering

In these tables, the term slot refers to the available slot openings in the chassis, not the PCI or ISA connectors inside the server.

Look at the server from the rear (see "[Rear panel diagram](#)" (page 13)). The slots are numbered from right to left, 1 to 20. Now, look at the server from the front. The slots are numbered from left to right.

Note: For Meridian 1 and Communication Server 1000, the first MPB16-4 board must be installed in slot 11. You can install up to a maximum of two MPB16-4 boards.

1002rp slot assignments

Slot number	CallPilot-assigned board label ^a	Meridian 1*/ Communication Server* 1000	T1/SMDI
Slot 1	BRD01	Not used	Not used
Slot 2	BRD02	Not used	Not used
Slot 3	BRD03	Not used	Not used
Slot 4	BRD04	Not used	Not used
Slot 5	BRD05	Not used	Not used
Slot 6	BRD06	Not used	Not used
Slot 7	BRD07	Reserved for COM2 I/O bracket	Reserved for COM2 I/O bracket
Slot 8 ^b	BRD08	Single board computer	Single board computer
Slot 9 (PCI Slot 1)	BRD09	Reserved for COM1 and parallel port I/O bracket	Reserved for COM1 and parallel port I/O bracket
Slot 10 (PCI Slot 2)	BRD10	PCI RAID controller	PCI RAID controller
Slot 11 (PCI Slot 3)	BRD11	MPB16-4 #1 or MPB96 #1	MPB96 board #1
Slot 12 (PCI Slot 4)	BRD12	MPB16-4 #2 (optional)	D/480JCT-2T1

a. On some CallPilot Manager screens, the CallPilot-assigned board label is displayed. This label corresponds to the slot number. For example, BRD12 refers to the board in slot 12.

b. The SBC card includes two onboard NICs (for connection to the ELAN subnet, and the Nortel server subnet) and an onboard video card. The NIC and monitor connectors are on the SBC faceplate.

Slot number	CallPilot-assigned board label ^a	Meridian 1*/ Communication Server* 1000	T1/SMDI
Slot 13 (PCI Slot 5)	BRD13	MPB16-4 #2 (optional)	D/480JCT-2T1
Slot 14 (PCI Slot 6)	BRD14	MPB16-4 #2 (optional) or MPB96 #2 (optional)	MPB96 board #2 (optional)
Slot 15 (PCI Slot 7)	BRD15	MPB16-4 #2 (optional)	D/480JCT-2T1 (optional)
Slot 16 (PCI Slot 8)	BRD16	MPB16-4 #2 (optional)	D/480JCT-2T1 (optional)
Slot 17 (PCI Slot 9)	BRD17	MPB16-4 #2 (optional) or MPB96 #3 (optional)	MPB96 #3 (optional)
Slot 18 (PCI Slot 10)	BRD18	MPB16-4 #2 (optional)	Not used
Slot 19 (PCI Slot 11)	BRD19	Not used	Not used
Slot 20 (PCI Slot 12)	BRD20	Not used	Not used

a. On some CallPilot Manager screens, the CallPilot-assigned board label is displayed. This label corresponds to the slot number. For example, BRD12 refers to the board in slot 12.

b. The SBC card includes two onboard NICs (for connection to the ELAN subnet, and the Nortel server subnet) and an onboard video card. The NIC and monitor connectors are on the SBC faceplate.

Network connectivity

Introduction

This section describes how the 1002rp server can be integrated into your network. The integration depends on the type of switch you are using.

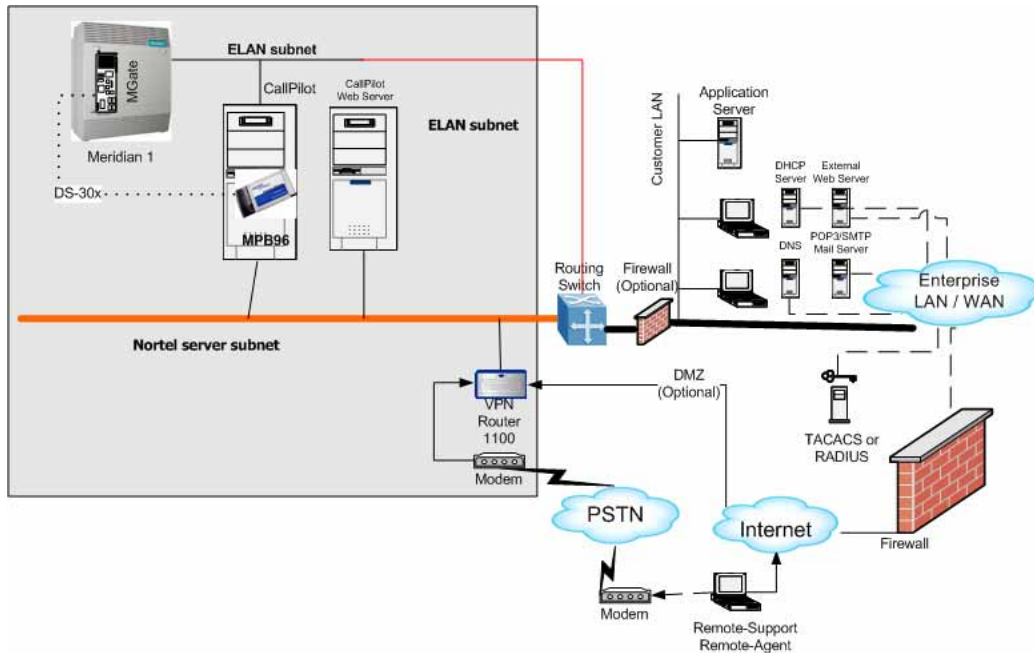
ATTENTION

To secure the CallPilot server from unauthorized access, ensure that the CallPilot network is inside your organization's firewall.

Sample network setup: Meridian 1

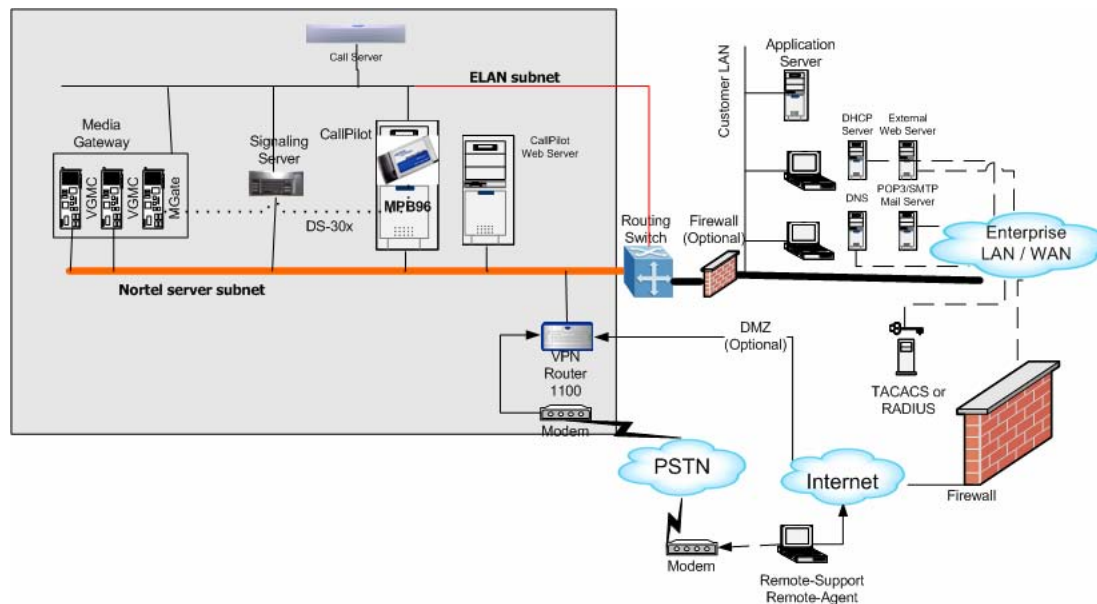
The following diagram shows a CallPilot server sample network setup with a Meridian 1 switch. The Meridian 1 switch can be one of the following:

- Option 11C or Option 11C Mini
- Option 51C
- Option 61C
- Options 81 and 81C



Sample network setup: Communication Server 1000

The following diagram shows a CallPilot server network setup with a Communication Server 1000 system.



Switch connectivity

For more details about how the 1002rp server and switch connection is established, refer to the *Installation and Configuration Task List* (NN44200-306).

CallPilot ELAN subnet and Nortel server subnet setup

The 1002rp server provides 10/100Base-T Ethernet connectivity through NICs installed in the server. See "[Slot assignments](#)" (page 15) for details on the location of NICs. The function of the NIC varies based on switch connectivity, as described below:

Meridian 1 or Communication Server 1000 systems

- One NIC provides connectivity to the ELAN subnet.

For information about the purpose and requirements of the ELAN, see the *Planning and Engineering Guide* (NN44200-200).

- A second NIC is optional.

This optional NIC is required only for Meridian 1 or Communication Server 1000 systems that require a connection to the Nortel server subnet (in addition to the ELAN subnet connection). The Nortel server subnet provides data connectivity between desktop and Web messaging clients, Web-enabled administrative PCs, and the CallPilot server.

Network requirements

Appropriate networking equipment must be available for both the Nortel server subnet and ELAN subnet.

The Nortel server subnet and ELAN subnet must be properly configured for correct CallPilot operation. To ensure correct configuration, Nortel recommends that you consult a network specialist.

Remote access connectivity

The RS-232 COM1 connector on the rear of the 1002rp server provides the connection to an external modem. The modem allows administrators and technical support personnel to administer the 1002rp server from a remote location.

pcAnywhere is used to establish the remote access connection to the server.

Supported peripheral devices

Introduction

This section identifies external devices that are supported by the 1002rp server.

Device	Description
Modem	A 56-Kbit/s external modem (NTRH9078) provides remote access to the 1002rp server. The modem connects to the RS-232 COM1 connector on the rear of the server.

Since the modem is an external device, it requires its own AC power source referenced to the same ground as the 1002rp server and the switch to which it is connected.

Ethernet hub or switch	A 10Base-T Ethernet hub or switch provides the ELAN subnet connection between the 1002rp server and the Meridian 1 switch or Communication Server 1000 system. The customer can supply an ethernet hub or switch from third-party vendors or from Nortel.
------------------------	---

Since the ethernet hub or switch is an external device, it requires an AC power source.

ATTENTION

To comply with EMC radiation requirements, a Class A hub must be located 10 m (33 ft) away from the 1002rp server. Shielded Ethernet cables must be used.

Device	Description
Monitor, keyboard, and mouse	<ul style="list-style-type: none"><li data-bbox="580 373 1278 401">• 15-in. monitor: NTRH9011 or N0038380 LCD monitor. Since the monitor is an external device, it requires its own AC power source.<li data-bbox="580 499 895 527">• Keyboard: NTRH9013<li data-bbox="580 543 863 571">• Mouse: NTRH9014

Chapter 3

Preparing for installation

In this chapter

"Installation overview" (page 23)

"Unpacking the 1002rp server" (page 26)

"Removing the front bezel and server cover" (page 27)

"Inspecting the server interior" (page 29)

Installation overview

Introduction

This section provides an overview of the steps required to install the 1002rp server and peripheral devices.

Installation checklist

The following checklist identifies the tasks that must be performed when installing the CallPilot server. For detailed instructions, see "[Installing the server](#)" (page 43) When you are finished with the installation, continue with the *Installation and Configuration Task List* (NN44200-306).

Step	Description	Check
1	Ensure that you have reviewed the "Installing the CallPilot server" section in the <i>Installation and Configuration Task List</i> (NN44200-306), and completed stage 1 of the "Installation checklist."	

Step	Description	Check
2	<p>Unpack the server, and ensure you have all the items you need (see "Unpacking the 1002rp server" (page 26)).</p> <p>Complete the following checklists that are provided in the <i>Installation and Configuration Task List</i> (NN44200-306):</p> <ul style="list-style-type: none"> • "CallPilot software media and documentation checklist" • "CallPilot server hardware checklist" 	
3	Remove the front bezel and server cover, and inspect the interior (see pages "Removing the front bezel and server cover" (page 27) and "Inspecting the server interior" (page 29)).	
4	Replace the server cover.	
5	Install the power supply modules in the server (see "Installing the second power supply module (AC or DC)" (page 34)).	
6	For a DC-powered server, set up the DC power source (see "DC wire gauge tables" (page 36)).	
7	Place the 1002rp server in the chosen location (see "Installing the server" (page 43)).	
8	Replace the front bezel (see page "Inspecting the server interior" (page 29)).	
9	Set the DIP switches on the modem (see "Preparing the modem" (page 44)).	
10	<p>Connect the 1002rp server and devices as follows:</p> <ul style="list-style-type: none"> • Connect the monitor, keyboard, and mouse (see "Connecting peripherals to the server" (page 47)). • Connect the modem (see "Preparing the modem" (page 44)). • Connect the 1002rp server to the ELAN hub or switch (Meridian 1 or Communication Server 1000 only) (see "Connecting the server to the ELAN subnet" (page 49)). 	

ATTENTION

To comply with EMC radiation requirements, a Class A hub must be located 10 m (33 ft.) away from the 1002rp server. Shielded Ethernet cables must be used.

Step	Description	Check
	<p>Note: If you are connecting the optional Nortel server subnet, do not power up unless your antivirus programs and Nortel security updates are installed first.</p> <ul style="list-style-type: none"> Connect the 1002rp server to the CLAN hub or switch (optional) (see "Connecting the server to the Nortel server subnet (optional)" (page 51)). <div data-bbox="384 621 1302 772" style="border: 1px solid black; padding: 5px; margin: 10px 0;"> <p style="text-align: center;">ATTENTION</p> <p>To comply with EMC radiation requirements, a Class A hub must be located 10 m (33 ft.) away from the 1002rp server. Shielded Ethernet cables must be used.</p> </div> <ul style="list-style-type: none"> Install the software feature dongle (see "Installing the Nortel software feature dongle" (page 52)). Connect the power cords for all devices, and then power them up. 	
11	Start the 1002rp server (see "Connecting the server to power" (page 53)).	

Conventions for warnings

You may encounter the following types of warnings in this guide. Do not ignore them.



DANGER

Warns you of an immediate electrical hazard which, if not avoided, can result in shock, serious injury, or death.



WARNING

Warns you of a situation in which you can be injured if instructions are not followed exactly as stated.

**CAUTION**

Alerts you to situations where data can be lost or damaged, equipment can be damaged, actions can result in service interruption, and productive time can be lost.

ATTENTION

Provides information that is essential to the completion of a task.

Unpacking the 1002rp server

Introduction

Follow this procedure to unpack the server and peripherals.

**WARNING**

The 1002rp CallPilot server weighs approximately 34 kg (75 lb) as shipped from manufacturing. To prevent personal injury, have someone help you to unpack and position the server.

To unpack the equipment

Step	Action
ATTENTION	
As you unpack each item, check it off against the packing list, as well as against the following checklists provided in the <i>Installation and Configuration Task List</i> (NN44200-306):	
	<ul style="list-style-type: none"> "CallPilot software media and documentation checklist" "CallPilot server hardware checklist"
1	Carefully open the cardboard carton containing the server.
2	Remove the server from the carton; set it on the floor.
3	Carefully open the cartons containing the monitor, keyboard, mouse, modem, and ELAN hub (if supplied), and set the peripherals aside.
4	Put all manuals, CD-ROMs, operating system disks, and any disks for peripherals in a safe place.
5	Save all packing materials and cartons in case you must return any equipment to the carrier.
—End—	

What is next?

Remove the server cover so that you can inspect the interior of the server. See ["Removing the front bezel and server cover" \(page 27\)](#).

Removing the front bezel and server cover**Introduction**

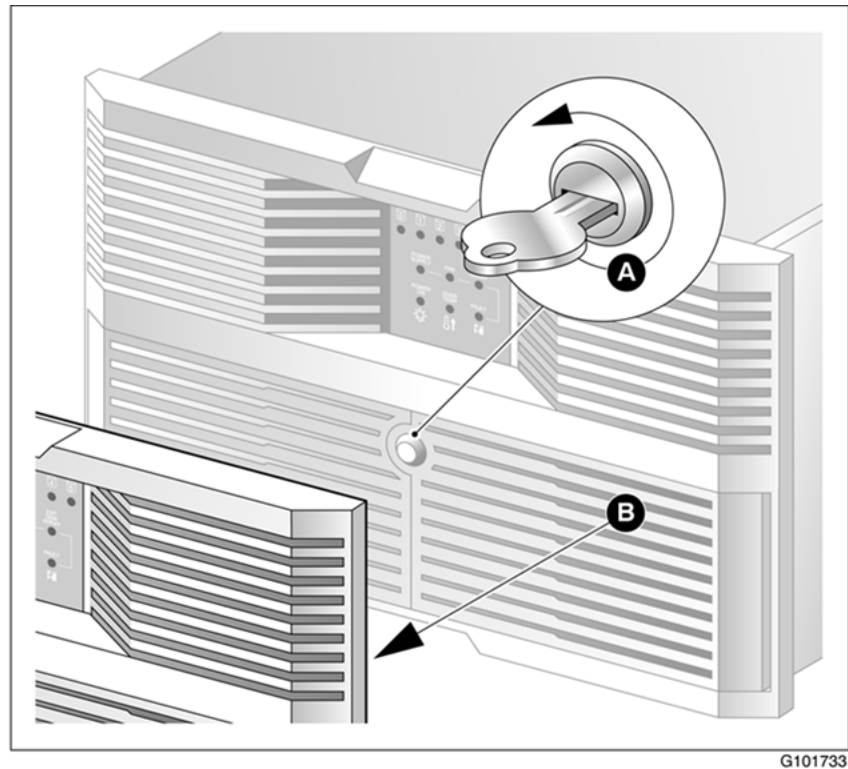
To access the server interior, you must remove both the front bezel and the server cover.

Two locked doors, located on the front of the server, cover the front panel, including the CD-ROM drive and tape drive. These doors are part of the front bezel. You must unlock the front bezel doors before you can remove the bezel.

To remove the front bezel**Step Action****CAUTION**

Do not attempt to move or lift the server before removing the front bezel; the server can disengage from the bezel and fall.

- 1 Unlock and open the double doors of the front bezel. See A in the diagram below.
- 2 Firmly grasp the front bezel by the hand-holds on either side of the chassis, and pull the front bezel from the chassis.



—End—

To remove the server cover

Step	Action
------	--------



DANGER

High current inside the chassis can cause severe injury.



CAUTION

Take precautions to protect internal components. Electrostatic discharge (ESD) can render boards damaged or unusable. Wear an ESD wrist strap.

- 1 Remove the front bezel (see "To remove the front bezel" (page 27)).

- 2 Loosen the three thumbscrews at the rear of the top cover.
- 3 Remove the server cover by pulling the cover toward the rear of the chassis, and then lifting it up and off.
- 4 Clip the lead from your ESD wrist strap to an unpainted metal section of the chassis.

—End—

What is next?

Continue with "[Inspecting the server interior](#)" (page 29).

Inspecting the server interior

Introduction

You should perform a visual inspection for loose components, foreign matter, or shipping damage inside the server.



CAUTION

When working with interior components, use an ESD wrist strap to protect static-sensitive components.

To inspect the server interior

Step	Action				
1	Carefully check all the cards to ensure they are fully seated on the baseboard.				
2	Check for any loose wires or foreign objects, such as loose screws, inside the chassis.				
3	Review the slot locations (see " Slot assignments " (page 15)).				
4	Do one of the following:				
	<table border="1" style="width: 100%;"> <thead> <tr> <th style="text-align: left;">IF</th> <th style="text-align: left;">THEN</th> </tr> </thead> <tbody> <tr> <td>you observe any damage</td> <td>contact your Nortel technical support representative.</td> </tr> </tbody> </table>	IF	THEN	you observe any damage	contact your Nortel technical support representative.
IF	THEN				
you observe any damage	contact your Nortel technical support representative.				

IF	THEN
components have become loose	secure them. Refer to the procedures in the <i>Installation and Configuration Task List</i> (NN44200-306).
you are satisfied that the 1002rp server has arrived at your site undamaged	replace the server cover and proceed with the hardware installation. See " Installation checklist " (page 23). Note: Do not reinstall the front bezel until the server is in its final location and the CallPilot installation is complete.
—End—	

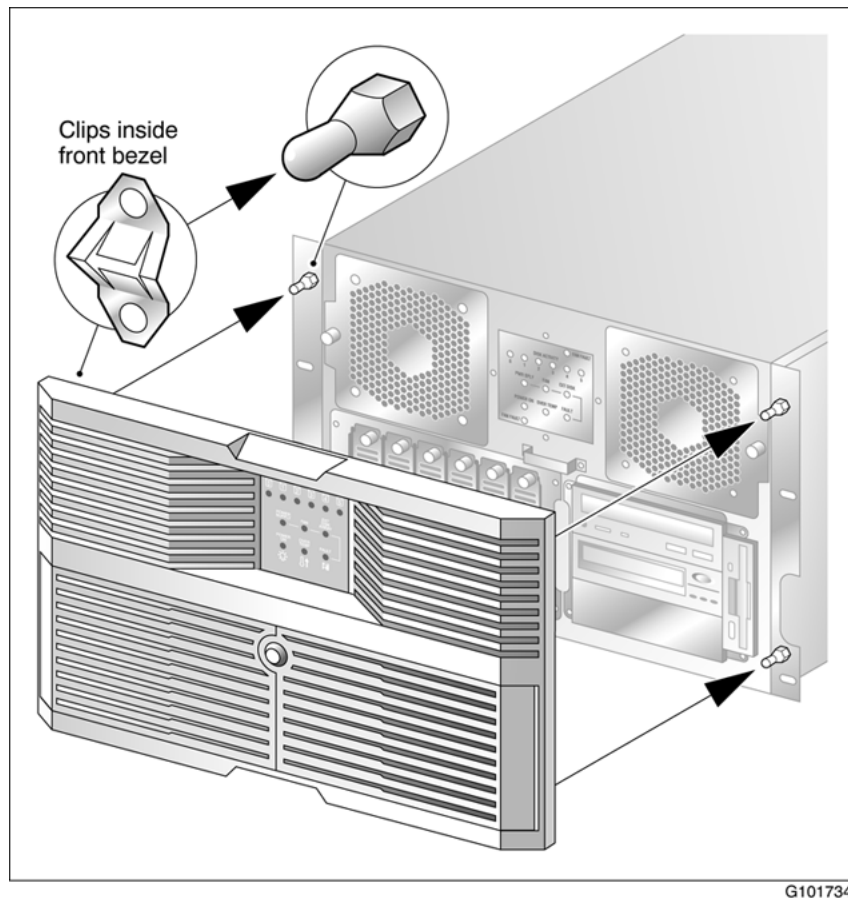
To replace the front bezel after installation is complete

Step	Action
------	--------

When the CallPilot server installation is complete and the server is in its final location, replace the front bezel.

- | | |
|---|---|
| 1 | Align the front bezel with the ball studs located at each faceplate corner.

See the diagram below: |
|---|---|



- 2 Apply pressure evenly until the bezel snaps onto each ball stud.
- 3 Close and lock the double doors of the front bezel.

—End—

Nortel CallPilot
1002rp Server Hardware Installation
NN44200-300 01.01 Standard
5.0 23 February 2007

Chapter 4

Power supply installation

In this chapter

"Safety precautions" (page 33)

"Installing the second power supply module (AC or DC)" (page 34)

"DC wire gauge tables" (page 36)

"DC rack cabling" (page 37)

"About the power distribution unit" (page 40)

"Bringing power and ground into the PDU" (page 42)

Safety precautions

Equipment handling guidelines

External power equipment, such as an uninterruptible power supply (UPS), is usually very heavy. This equipment requires special handling procedures and additional personnel for unloading and installation. Be aware of weight distribution, and prevent the equipment room floor from being overly stressed.

Safety information

In DC systems, locate the service panel near the entry to the room containing the DC power system that supplies the server.



DANGER

Procedures involving electrical connections must be performed only by qualified personnel.

Ensure that you obey all displayed warning notices on power equipment and connections.

Installing the second power supply module (AC or DC)

Introduction

One power supply module is shipped installed. The second power supply module must be installed on-site.

AC versus DC systems

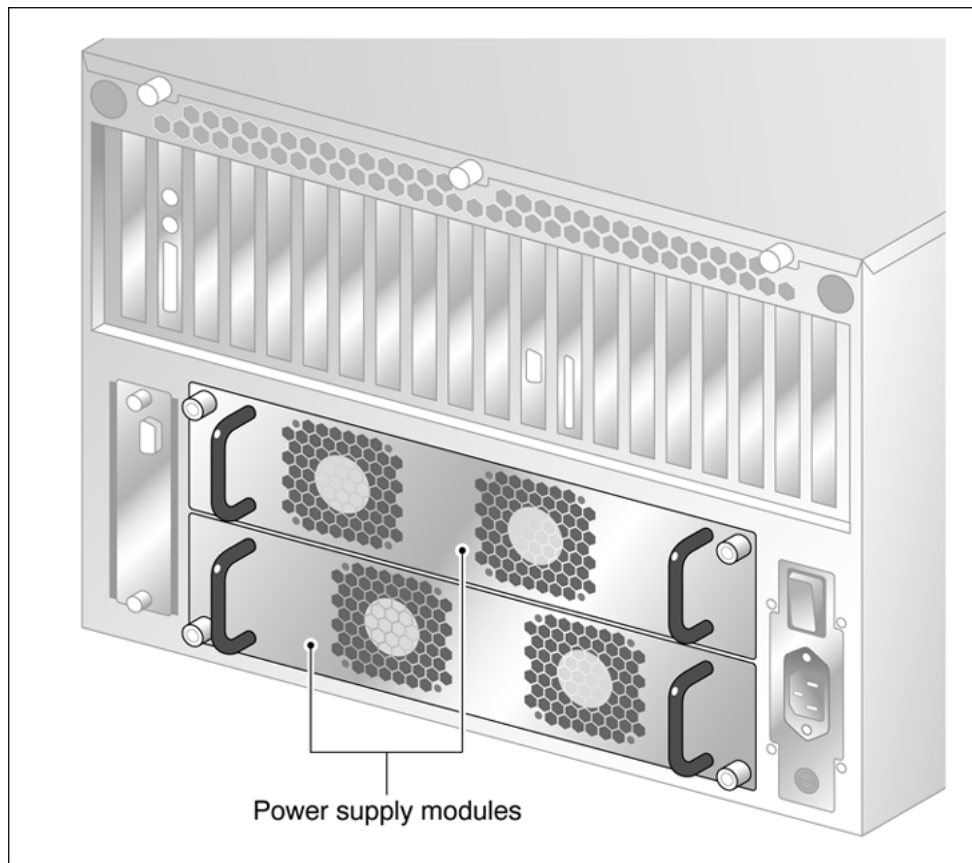
The power supply modules are similar in appearance for both AC and DC 1002rp servers. The procedures in this section apply to both AC and DC 1002rp servers.

About the power supply module

After the server is powered up (later in this guide), the power supply module LED indicates its status.

A green LED on the power supply module indicates that the module is working properly. If the LED is unlit or red, the module is failing or has failed. A problem with the power supply module is also indicated if an alarm sounds or the power supply LED on the front of the server turns red.

The diagram below shows the location of the power supply modules in a server that has two power supply modules installed:



G101751

To install the power supply module



DANGER

High current inside the chassis can cause severe injury.

The server is shipped with one power supply module installed in the bottom power supply bay. You must install the second power supply module, as described here:

Step	Action
1	Align the power supply module with the top power supply bay.
2	Slide the power supply module into the bay until the module is secured by its connector. Use some force, if necessary.

- 3 Secure the power supply module to the chassis with two thumbscrews at the corners of the power supply faceplate.

—End—

What is next?

Do one of the following:

IF	THEN
this is an AC-powered server	continue with "Installing the server" (page 43) on page "Installing the server" (page 43).
this is a DC-powered server	continue with "DC wire gauge tables" (page 36).

DC wire gauge tables

Introduction

The tables in this section specify the DC power feed wire requirements.

Cabinet and module DC feed recommended wire gauge specifications

Length	#10 AWG	#8 AWG	#6 AWG	Junction box #4 AWG	Junction box #4 AWG
0-30 m (100 ft)	yes	yes	yes	yes	yes
0-45 m (150 ft)	no	yes	yes	yes	yes
0-75 m (250 ft)	no	no	yes	yes	yes
0-135 m (450 ft)	no	no	no	yes	yes

Notes:

1. The cabinet and module ground wire specification is #10 AWG insulated green safety ground wire.
2. The cabinet conduit can be 19.1 mm (0.75-in.) or 31.8 mm (1.25-in.), and must be insulated from the cabinet ground.

Length	#10 AWG	#8 AWG	#6 AWG	Junction box #4 AWG	Junction box #4 AWG
0-210 m (700 ft)	no	no	no	no	yes
Over 210 m (700 ft)	no	no	no	no	no

Notes:

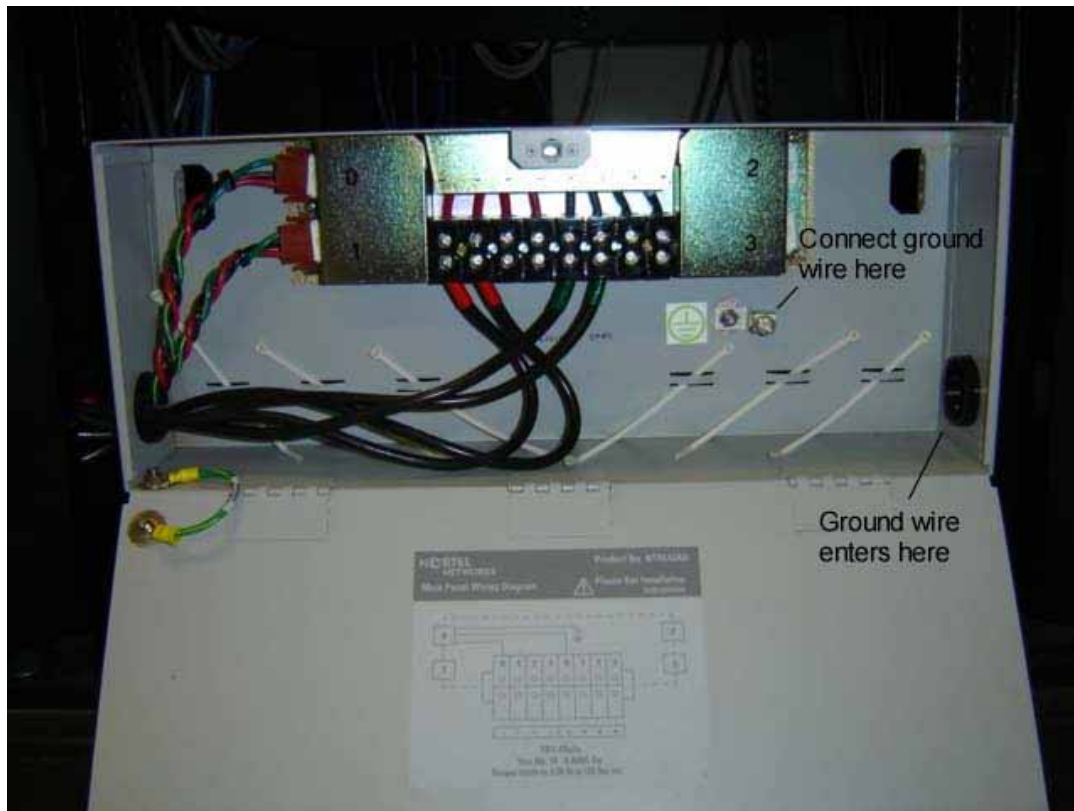
1. The cabinet and module ground wire specification is #10 AWG insulated green safety ground wire.
2. The cabinet conduit can be 19.1 mm (0.75-in.) or 31.8 mm (1.25-in.), and must be insulated from the cabinet ground.

Metric wire conversion

AWG No.	Industry standard nominal (sq mm)	Resistance at 20 C (Ohm/100 m)
2	35	0.05
4	25	0.08
6	16	0.13
8	10	0.20
10	6	0.33
12	4	0.63
14	2.5	1.00
16	1.5	1.40
18	1	2.00
20	0.75	2.90
22	0.5	4.60

DC rack cabling

The following photograph shows typical rack power cabling:



Note: The cables are marked with Red and Green tape. The cables with the Red tape connect to the Negative (-) Red side (on the left in the photograph), and the cables with the Green tape connect to the Positive (+) Green side (on the right in the photograph). The sides are identified on the power connections. The ground wire enters at the lower right and attaches to the ground lug.

Main panel wiring diagram with product number.

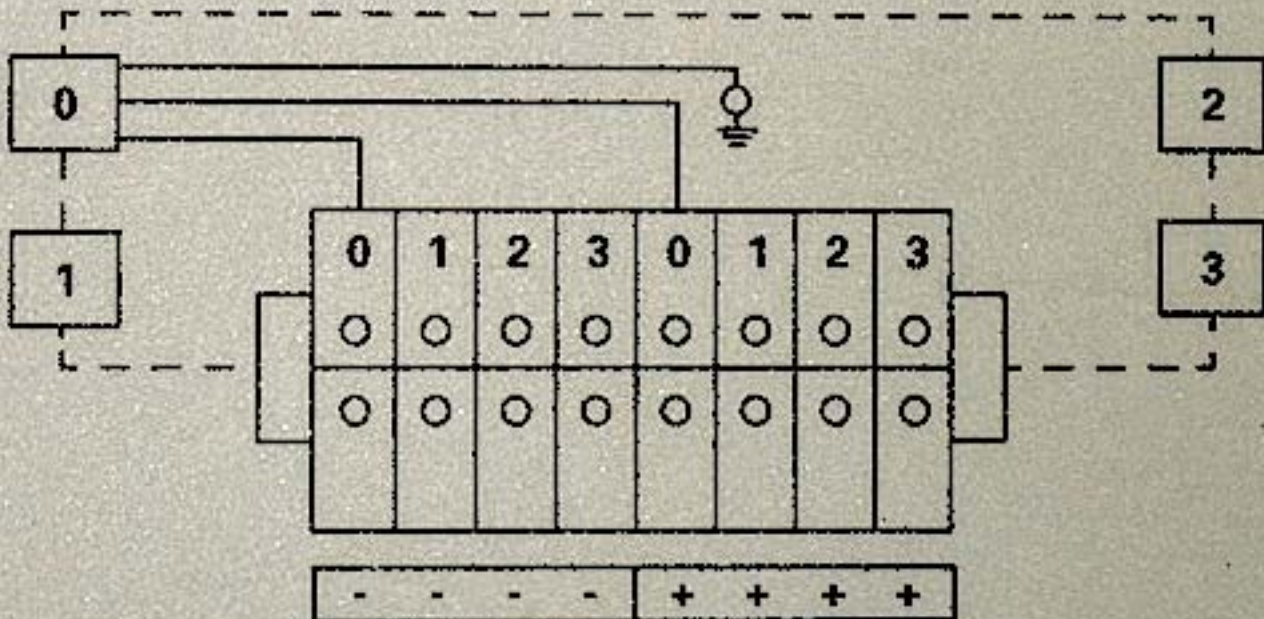
**NORTEL
NETWORKS**

Product No. NTRE43AA

Main Panel Wiring Diagram



**Please See Installation
Instructions**



TB1 Main
Use No. 10 - 6 AWG Cu
Torque studs to 2.26 N-m (20 lbs-in)

Rack power and grounding

To ensure a complete power and grounding installation:

- In rackmount server installations, ensure the CallPilot server chassis and equipment racks are isolated from other foreign sources of ground. Acceptable isolation methods include: isolation pads, grommets, washers, chassis side rail strips, and non-conducting washers.
- In rackmount server installations where other equipment is also installed in the same 19" rack, ensure that all equipment derives ground from

Nortel CallPilot
 1002rp Server Hardware Installation
 NN44200-300 01.01 Standard
 5.0 23 February 2007

the same service panel as CallPilot and the switch, whether or not the equipment is AC- or DC-powered.

-48 V DC power distribution rationale

- Minimum installation is one power distribution unit (PDU) with four 48 V DC branch circuits fused at 20 amperes.
- The customer must be able to shut off any branch to ensure every unit at the site continues to function properly.
- DC-powered configuration fits into this scheme as follows:
 - Each PDU receives four branch circuits.
 - Each server receives a feed from each PDU and a different branch circuit.
- In this fashion, with dual hot-swappable power supplies, there is no single point of failure in the power system. For example, you can remove any power supply, including a PDU, and everything continues to work.
- This is applicable to either North American or European installation sites (with a 230 V AC inverter).
- The secondary rack supports four servers and follows a similar scheme.

About the power distribution unit

Introduction

A PDU is installed in a rack that has DC-powered servers. Power from the DC supply source enters the PDU and can then be distributed to one or more servers. A single PDU can supply DC power to four DC power supply modules. A server can have either one or two power supply modules installed. You can determine the number of PDUs to install in a rack by counting the number of power supply modules in each rack.

PDU power and grounding

To ensure a complete power and grounding installation:

- In rackmount DC-powered server installations, ensure the PDU (Power Distribution Unit for DC applications) is installed on the same rack as the CallPilot server. This is required since the main ground wire for the PDU is not insulated from the metal enclosure.

Multiple PDUs

A server operates on a single power supply module. Its total capacity is two installed power supply modules. The second power supply module is the redundant power supply module.

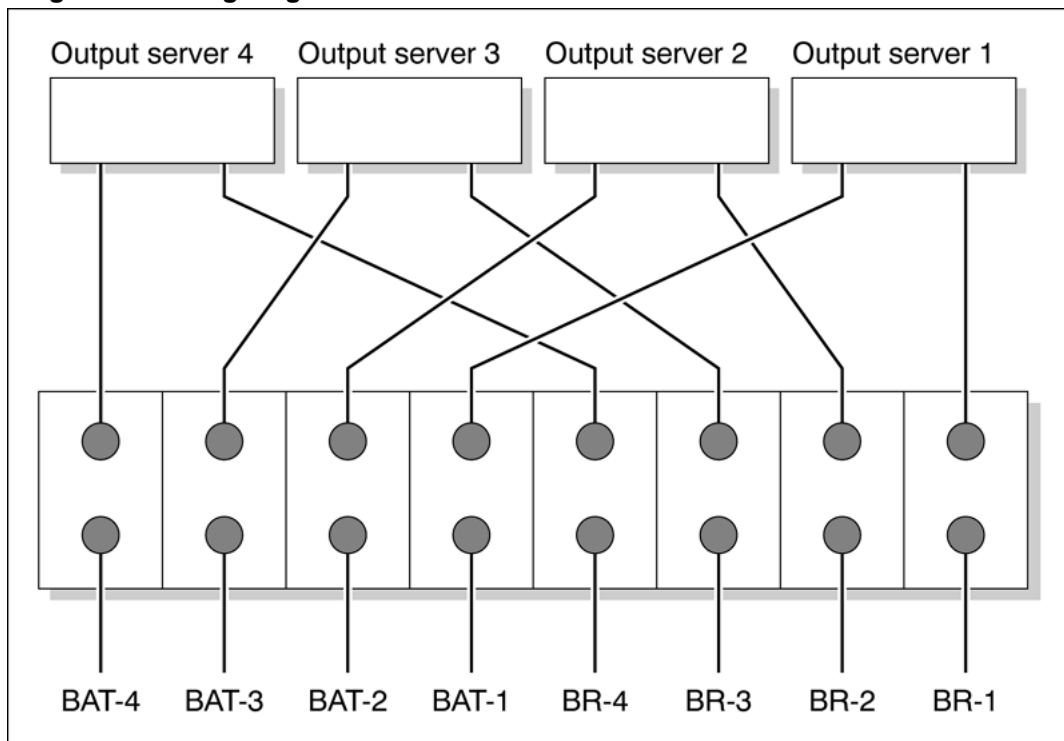
A PDU can distribute power to a maximum of four power supply units that can be installed in two or more servers. Therefore, if there are three or four servers installed in a rack, then you must install a second PDU.

Note: The power supply module installs in the server. It does not refer to a UPS, which is a separate unit on the rack.

PDU terminal blocks and wiring diagram

A PDU consists of eight terminal blocks within a metal enclosure. Before installing the PDU, connect the terminal blocks so that each output connector receives power from a separate -48 V dc branch circuit, as shown in the following diagram. Use AWG 10 wires for these connections.

Single PDU wiring diagram



G101741

DC power input

DC power input into the distribution unit connects BAT-1 to BAT-4 and BR-1 to BR-4. Refer to the preceding diagrams for the location of these terminals. Connect the input wires before installing the PDU on the rack.

Bringing power and ground into the PDU

Introduction

Install BAT/BATRTN wires in pairs. Each pair of wires supplies voltages to a module through a power harness. The module harnesses are installed in the cabinet PDU and connected to the modules at the factory. See ["About the power distribution unit"](#) (page 40).

To bring DC power and ground into the PDU

Step	Action
1	If you are using a conduit, terminate the 32 mm (1-1/4 in.) or 19 mm (3/4 in.) conduit at the top rear of the cabinet or at the bottom front of the cabinet using the knockouts provided. The number of wire pairs you can run in each conduit depends on the wire gauge. Note: To preserve ground integrity, the conduit must be insulated.
2	Select a power feed with a circuit breaker dedicated to each module, and identify it with an appropriate tag.
3	Select a wire size to suit the required feed length from the power source (see "DC wire gauge tables" (page 36)).
4	Use pliers to strip 6 mm (1/4 in.) to 13 mm (1/2 in.) of the insulation from one end of all power and ground feed wires.
5	Undo the terminal block screws at (-) positions 0, 1, 2, and 3.
6	Insert the <i>red</i> wires into terminal block positions 0, 1, 2, and 3.
7	Secure the wires in the terminal block by tightening the screws.
8	Undo the terminal block screws at (+) positions 0, 1, 2, and 3.
9	Insert the <i>black</i> wires into terminal block positions 0, 1, 2, and 3.
10	Secure the wires in the terminal block by tightening the screws.
11	Select a #10 AWG green wire safety ground and attach it to the cabinet.
12	Measure the module ground continuity by touching one multimeter lead to any BATRTN terminal block connector and the other end to the GND terminal block connector. Ensure the measurement is between 0-0.5 ohms.

—End—

Chapter 5

Installing the server and connecting the peripheral devices

In this chapter

"Installing the server" (page 43)

"Preparing the modem" (page 44)

"Connecting peripherals to the server" (page 47)

"Connecting the server to the ELAN subnet" (page 49)

"Connecting the server to the Nortel server subnet (optional)" (page 51)

"Installing the Nortel software feature dongle" (page 52)

"Connecting the server to power" (page 53)

Installing the server

Introduction

Before you install the 1002rp server, ensure that the chosen location meets the requirements identified on the "Site inspection checklist" provided in the *Installation and Configuration Task List* (NN44200-306).

To install the server

Place the 1002rp server in its chosen location. If you are installing the server in a rack cabinet, follow the instructions that are provided with the slide rails.

Connect peripheral devices as described in the remainder of this chapter.



WARNING

Do not connect the server to the power yet.

Preparing the modem

Introduction

You require a modem to support remote dial-up access to the CallPilot server. The modem also enables Nortel technical support to connect to your CallPilot server for troubleshooting purposes. Nortel connects to your server only when you request technical assistance.

Required equipment

To install the modem, you need the following equipment:

- an RJ-11 analog phone cord
- a power adapter cord
- an analog line jack
- tweezers, or a screwdriver small enough to use to adjust DIP switches

The following modem is provided with your server:

- an analog external U.S. Robotics 56-Kbit/s modem (NTRH9078) that includes a 25-pin male to 9-pin female shielded serial cable for your modem

Note: Ensure that you have the correct cable for your modem, as follows:

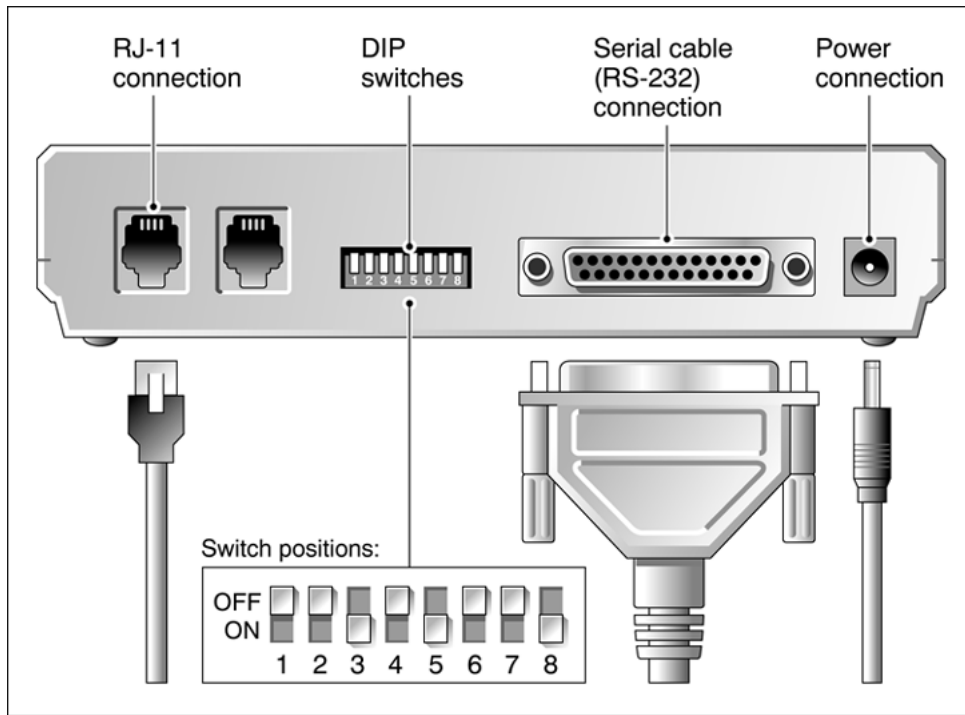
- 56-Kbit/s modem: A0841984

Modem DIP switches

Set the modem DIP switches before you connect the modem to the CallPilot server.

Note: This section applies only to the U.S. Robotics 56-Kbit/s external Sportster modem. If your modem is different, refer to the documentation for your modem.

The following diagram shows the key components of the external modem, including the location and required settings of the DIP switches:



G101445

To set the modem DIP switches

Use a pair of tweezers or a small screwdriver to set the DIP switches as described in the Change to column of the following table:

Note: ON is down. OFF is up.

DIP switch	Default setting	Change to	Function
1	OFF	OFF	Data Terminal Ready (DTR) override <ul style="list-style-type: none"> • OFF: Normal DTR operations. (The computer must provide a DTR signal for the modem to accept commands. If DTR is dropped, the call is terminated.) • ON: The modem ignores DTR (override).
2	OFF	OFF	Verbal/numeric result codes <ul style="list-style-type: none"> • OFF: Verbal (word) results. • ON: Numeric results.
3	ON	ON	Result code display <ul style="list-style-type: none"> • OFF: Suppresses result codes. • ON: Enables result codes.

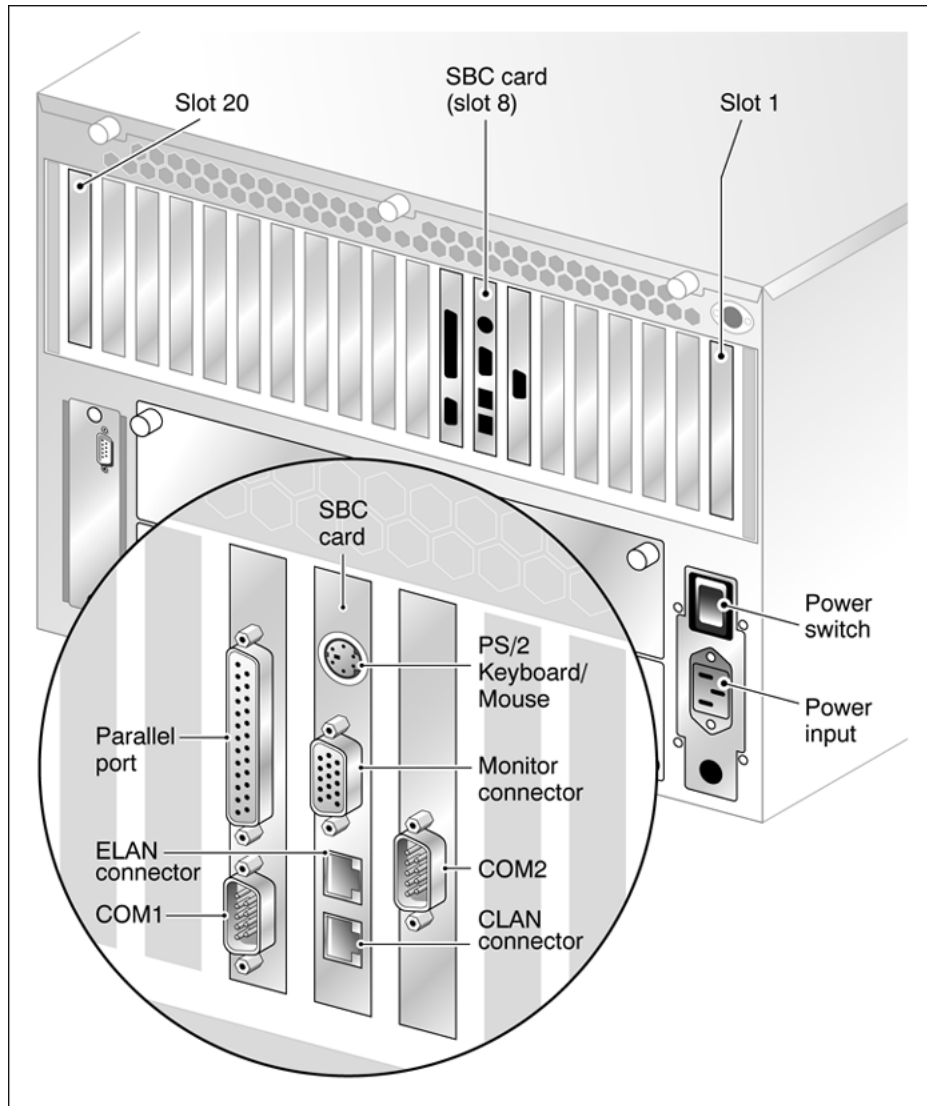
DIP switch	Default setting	Change to	Function
4	OFF	OFF	Command mode local echo suppression <ul style="list-style-type: none"> • OFF: Displays keyboard commands. • ON: Suppresses echo.
5	ON	ON	Auto answer suppression <ul style="list-style-type: none"> • OFF: The modem answers on the first ring, or higher if specified in NVRAM. • ON: Disables auto answer.
6	OFF	OFF	Carrier Detect (CD) override <ul style="list-style-type: none"> • OFF: The modem sends a CD signal when it connects with another modem; it drops the CD on disconnect. • ON: CD is always ON (override).
7	OFF	OFF	Power-on and ATZ reset software defaults <ul style="list-style-type: none"> • OFF: Loads Y or Y1 configuration from user-defined NVRAM. • ON: Loads &F0-Generic template from read-only memory (ROM).
8	ON	ON	AT command set recognition <ul style="list-style-type: none"> • OFF: Disables command recognition (dumb mode). • ON: Enables recognition (smart mode).

What is next?

Continue with "[Connecting peripherals to the server](#)" (page 47).

Connecting peripherals to the server

Rear panel connectors



G101648

Note: The above diagram shows the power switch and power input for an AC server. The rest of the diagram is the same for AC or DC servers. For peripheral device connections, this picture applies to AC and DC servers.

To connect the mouse, keyboard, and monitor to the server

Step	Action
------	--------

- | | |
|---|--|
| 1 | Place the monitor, keyboard, and mouse in the same location as the server. |
|---|--|

- 2 Plug the keyboard/mouse dual cable into the PS/2 connector on the SBC card faceplate (see "Rear panel connectors" (page 47)).
- 3 Plug the keyboard and mouse into the appropriate connectors on the keyboard/mouse dual cable.
- 4 Plug the monitor into the monitor connector on the SBC card. Tighten the screws on the connector.
- 5 Ensure that a single-point ground reference is available for all the power outlets serving the CallPilot server and its peripherals. Before the CallPilot server installation, a qualified electrician must implement the single-point ground reference requirement between the power outlets of the CallPilot server and the power outlets of the switch.
- 6 Connect the power cord to the monitor and plug the other end into a wall receptacle or power bar.
Note: Ensure that the power source is consistent with the SBC for all ancillary equipment.
- 7 Turn on the monitor.

—End—

To connect the modem to the server

Step	Action
1	Ensure that the modem AC power cord is not plugged in.
2	Connect the large 25-pin male connector to the back of the modem. Tighten the connector screws.
3	Connect the 9-pin female connector to COM1 at the rear of the server. Tighten the connector screws.
4	Connect one end of the telephone cable to the modem RJ-11 jack labeled LINE.
5	Connect the other end of the telephone cable to the RJ-11 jack in the wall.
6	Ensure that a single-point ground reference is available for all the power outlets serving the CallPilot server and its peripherals. Before the CallPilot server installation, a qualified electrician must implement the single-point ground reference requirement between

the power outlets of the CallPilot server and the power outlets of the switch.

- 7 Connect the power cord to the modem, and plug the other end into a wall receptacle or power bar.

Note: Ensure that the power source is consistent with the SBC for all ancillary equipment.

- 8 Turn on the modem.

—End—

What is next?

Continue with ["Connecting the server to the ELAN subnet" \(page 49\)](#).

Connecting the server to the ELAN subnet

Introduction

ATTENTION

This section applies only if the 1002rp server connects to a Meridian 1 switch or Communication Server 1000 system.

Connect the CallPilot server to the Meridian 1 switch or Communication Server 1000 system using the ELAN interface.

ATTENTION

For important considerations about using the ELAN subnet in your network, see the *CallPilot Planning and Engineering Guide* (NN44200-306).

ATTENTION

To comply with EMC radiation requirements, a Class A hub must be located 10 m (33 ft.) away from the 1002rp server. Shielded Ethernet cables must be used.

Media Access Control address

The Media Access Control (MAC) address is a unique number assigned to network cards and controllers. The procedure below asks you to record the ELAN MAC address. The MAC address is recorded on a label affixed to the back of the chassis.

To connect the server to the ELAN subnet

Step	Action
------	--------

- | | |
|---|--|
| 1 | See the diagram on page "Rear panel connectors" (page 47) to locate the ELAN Ethernet connector. |
|---|--|

- 2 Locate the MAC address label on the back of the chassis that identifies the ELAN controller MAC address.
- 3 Record the MAC address on the Configuration Wizard worksheet that is provided in the *Installation and Configuration Task List* (NN44200-306).
You need the MAC address to identify the ELAN when running the Configuration Wizard to configure the CallPilot server.
- 4 Connect an RJ-45 network cable from the ELAN hub or switch to the ELAN connector on the server.
Note: The ELAN hub or switch is optional if you use a cross-over network cable to make a direct point-to-point connection from the server to the switch. However, if you choose to establish a direct point-to-point ELAN connection, no other device can connect to the ELAN.
- 5 At the switch, connect the ELAN network cable to an MAU (Ethernet) transceiver for a Meridian 1, or to the RJ45 ELAN connector for a CS1000. Then complete the connection from the transceiver to the switch.

**DANGER**

MAU model NTRH9069 is not suitable for installation in ducts, plenums, or other spaces used for environmental air. Do not install it above a false ceiling or below a raised floor, unless it can be confirmed that these spaces are not used to convey environmental air.

—End—

What is next?

the server will	THEN
be connected to the Nortel server subnet	continue with " Connecting the server to the Nortel server subnet (optional) " (page 51)
not be connected to a Nortel server subnet	continue with installing the software feature dongle. See " Installing the Nortel software feature dongle " (page 52).

Connecting the server to the Nortel server subnet (optional)

Introduction

This section provides instructions to connect the server to the Nortel server subnet.

Note: The Nortel server subnet is optional. However, a Nortel server subnet is required to support desktop and Web messaging users.

ATTENTION

To comply with EMC radiation requirements, a Class A hub must be located 10 m (33 ft.) away from the 1002rp server. Shielded Ethernet cables must be used.

Media Access Control address

The MAC address is a unique number assigned to network cards and controllers. The procedure below asks you to record the CLAN MAC address. The MAC address is recorded on a label affixed to the back of the chassis.

To connect the server to the Nortel server subnet

Step	Action
1	See the diagram on page " Rear panel connectors " (page 47) to locate the CLAN network card.
2	Locate the MAC address label on the back of the chassis that identifies the CLAN controller MAC address.
3	Record the MAC address on the Configuration Wizard worksheet that is provided in the <i>Installation and Configuration Task List</i> (NN44200-306). You need the MAC address to identify the CLAN when running the Configuration Wizard to configure the CallPilot server. Note: When connecting the optional Nortel server subnet, do not power up unless your antivirus programs and Nortel security updates are installed first.
4	Connect an RJ-45 network cable from the CLAN hub or switch to the CLAN connector.

—End—

What is next?

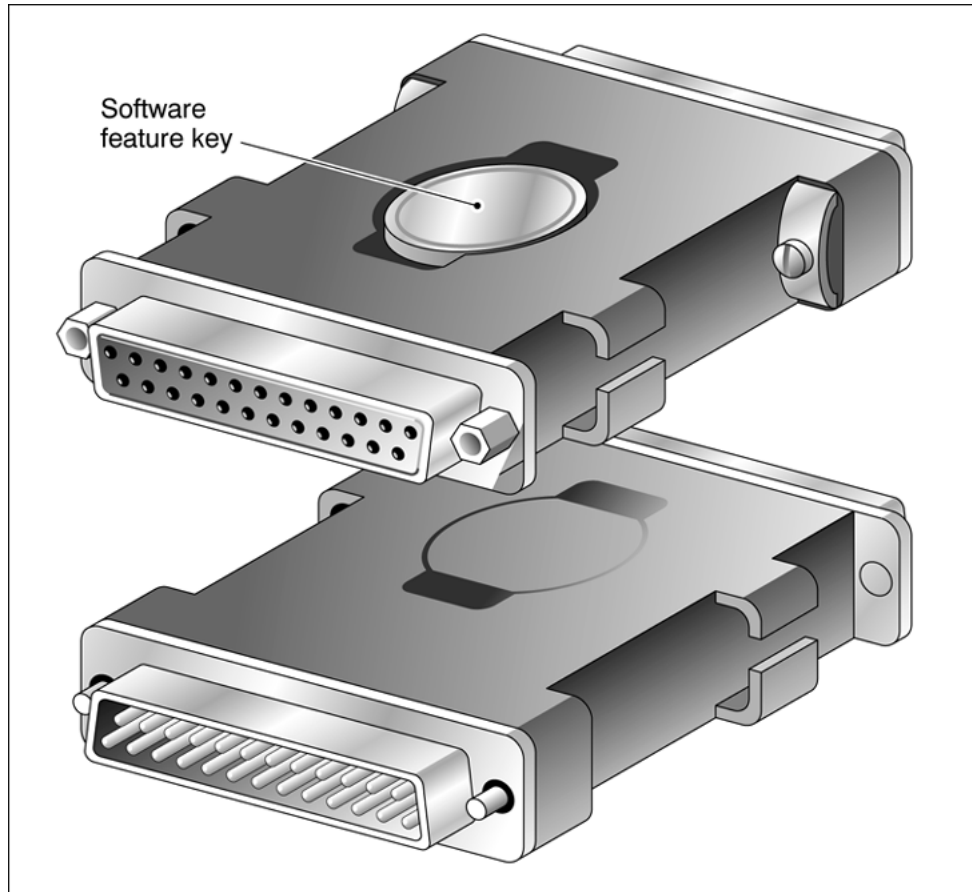
Continue with "[Installing the Nortel software feature dongle](#)" (page 52).

Installing the Nortel software feature dongle

Introduction

The software feature key is a security device that stores the unique serial number of the server. The feature key is embedded in the Nortel software feature dongle, which plugs into the parallel port.

An illustration of the software feature key embedded in the software feature dongle is shown below:



G101738

Requirements

For installation, you require a Phillips No. 1 screwdriver.

To install the software feature dongle

Step	Action
------	--------

- | | |
|---|---|
| 1 | Ensure that there is no cable connected to the parallel port. |
|---|---|

Note: The parallel port is also known as the printer port or LPT1. It is located at the back of the server. See the diagram on page "Rear panel connectors" (page 47).

- 2 If the software feature key is not preinstalled in the dongle, remove it from the plastic bag, and carefully insert it into the software feature slot on the dongle. Make sure that the clips secure it properly and that the Nortel logo faces outwards.
- 3 Plug the male end of the adapter into the parallel port.
- 4 Tighten the connector screws.

—End—

What is next?

Continue with "Connecting the server to power" (page 53).

Connecting the server to power

Before you begin

Ensure that proper power and grounding are available for all the power outlets serving the CallPilot server and its associated peripherals. Power for these devices must be wired and fused independently of all other receptacles, and referenced to the same ground as the PBX system.

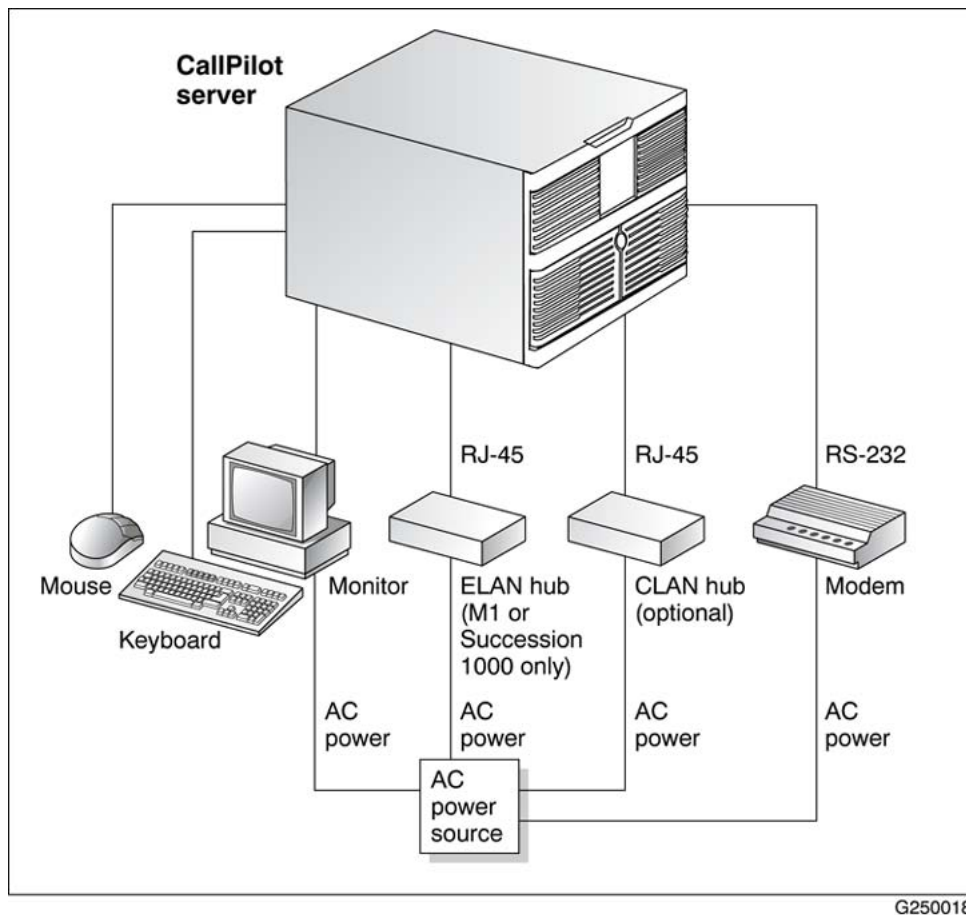
A qualified electrician must implement the single-point ground reference as required between the power outlets of the CallPilot server and the power outlets of the switch.

Provide a sufficient number of properly grounded power outlets or power bars for all equipment. For more information, refer to grounding and power requirements in this document and in the *CallPilot Planning and Engineering Guide* (NN44200-200).

The single-point ground (SPG) required by the system can be an isolated ground (IG) bus or AC equipment ground (ACEG) bus in the service panel or transformer. The system must be connected to safety ground/protective earth in accordance with NEC requirements. For international use, the system must be connected to safety ground/protective earth in accordance with Paragraph 2.5 of EN60950/IEC950.

Note: Refer to *Large System: Planning and Engineering* (553-3021-120) for a complete description of approved ground sources and methods. Insulated ground wire must be used for system grounding.

Before you connect the server to the power source, review the following diagram to ensure that all peripheral hardware devices are in place.



Note: For details on the DC power source for 1002rp DC servers, see "Installing the second power supply module (AC or DC)" (page 34)

To connect the 1002rp AC server to power

Step	Action
------	--------



WARNING

The power outlets used by the CallPilot server and its peripheral devices must be connected to the same single-point ground reference as the one used by the switch with MGate cards (NTRB18CA) connected to the CallPilot server. If this requirement is not met, power transients can cause personal injury, or hardware failure, or both. Refer to the *Installation and Configuration Task List* (NN44200-306) for more information on single-point grounding requirements.

- 1 Plug the server AC power cord into the server rear panel.

- 2 Plug the other end into a wall receptacle or power bar.

—End—

To connect the 1002rp DC server to power

Step	Action
------	--------

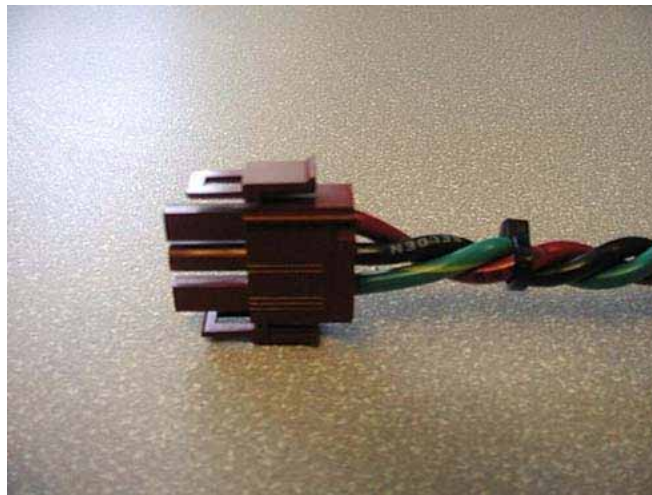


DANGER

- Only qualified personnel can alter electrical connections.
- Ensure the power distribution unit (PDU) is turned off until you are instructed to turn it on.

- 1 Connect the DC power cable to the server.
- 2 Connect the other end of the DC power cable to the PDU. Use the supplied clips and screws to secure the plugs.

The following photograph shows the keyed plug of the DC power cable. This plug connects to the PDU:



Note: If you are not using a Nortel-supplied PDU, have a qualified electrician connect the cable appropriately to your DC power plant. The 1002rp uses a negative 48 V power supply, therefore the red cable is negative (-48 V) and the black cable is the ground (GND).

- 3 Turn on the PDU.

—End—

To start the server

Step	Action
------	--------

- | | |
|---|--|
| 1 | Press the server power switch to start the server. |
| 2 | Observe the Power-On Self Test (POST) and initialization messages on the monitor. |
| 3 | Let the mini-setup sequence run until you are prompted to login to the operating system. |

Note: The system may perform multiple reboots. This is normal.

- | | |
|---|---|
| 4 | Ensure that the operating system logon window appears on the monitor. |
|---|---|

Note: If the logon window does not appear, refer to the *1002rp Server Maintenance and Diagnostics* (NN44200-701) guide for troubleshooting instructions.

—End—

Appendix A

EMC emission level protection for the 1002rp Server

To lower the EMC emission level, ferrite cores are installed with one loop (see diagram below) on the following external cables:

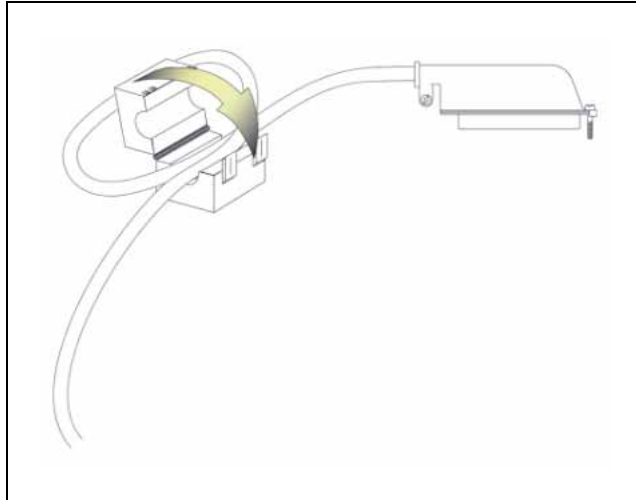
- Ferrite Core (TDK and part number ZCAT3035-1330) — for the triple DS30X I/O cable (Nortel and part number NTRH2014), at each end of the cable
- Ferrite Core (TDK and part number ZCAT1325-0530) — for the modem power supply cable, at each end of the cable
- Ferrite Core (Fair Rite and part number 0431164181) — for the Trenton combined keyboard and mouse Y connector cable, at the server end of the cable
- Ferrite Core (part number WE 742 7111) — for Ethernet port cat5 UTP cable, at the server end of the cable



CAUTION

The ferrite cores are preinstalled on these customer provided cables. It is not the customer's responsibility to attach these ferrite cores to these cables. However, the customer should ensure that these ferrites are in place to keep the EMC emission levels low.

Ferrites secured to an external cable



The ferrites are secured to the appropriate cable with plastic enclosure clips. Ty wraps are added to the cable loop.

Index

Symbols/Numerics

703t server
 environmental specifications 12

A

adapter
 software feature key, illustration 52
 alarm board 13

C

checklist
 installation 23
 CLAN
 media access control address 51
 Communication Server 1000 and CallPilot
 server network diagram 19
 connecting peripherals to the server 47
 connecting the server 53
 connectivity
 Ethernet 20
 remote 21
 Customer LAN
 see CLAN 51

D

DC power 40
 DC power and ground 42
 DC power input 41
 DC wire gauge tables 36
 devices, peripheral
 Ethernet hub 22
 keyboard 22
 modem 21

monitor 22
 mouse 22

diagram
 connection
 network, Communication Server
 1000 and CallPilot server 19
 network, M1 and CallPilot
 server 19
 front panel 12
 PCI and ISA connectors 14
 rear panel
 slot locations 13
 server connections for the power
 cord and peripherals 47

DIP switches
 modem, function 45
 DIP switches, setting
 modem 45
 dongle 52

E

ELAN
 Media Access Control address 49
 environmental specifications, 703t server 12
 equipment
 unpacking 26
 Ethernet hub
 description 22

F

fax modem
 illustration 44
 required equipment 44
 features

server 11
 features, front panel
 diagram 12
 front bezel 27

G

grounding guidelines 36

I

illustration
 modem 44
 software feature key adapter 52
 TLAN 19
 inspecting
 server interior 29
 installation checklist 23
 IRQ mapping table 18

K

keyboard
 connecting to the server 47
 description 22
 keylock 52

M

M1 and CallPilot server network diagram 19
 Metric wire conversion 37
 modem

 connecting to the server 48
 description 21
 DIP switches, setting 45
 illustration 44
 required equipment 44

monitor
 connecting to the server 47
 description 22

mouse
 connecting to the server 47
 description 22

N

network
 protocols, supported 20
 network interface cards 20

P

part number
 Ethernet hub 22
 keyboard 22
 modem 21
 monitor 22
 mouse 22
 PCI and ISA connectors
 diagram 14
 PDU 40
 multiple PDUs 41
 power and grounding 40
 single PDU wiring diagram 41
 peripheral devices
 Ethernet hub 22
 keyboard 22
 modem 21
 monitor 22
 mouse 22
 peripherals
 connecting to the server 47
 power connection
 AC server 54
 DC server 55
 power distribution rationale 39, 40
 power distribution unit
 See PDU 40
 power guidelines 36
 power supply
 bringing power and ground into the
 PDU 42
 DC wire gauge tables 36
 grounding guidelines 36
 Metric wire conversion 37
 module installation 35
 module location 34
 overview 34
 PDU 40
 power distribution rationale 40
 rack power and grounding 39
 protocols, supported network 20

R

rack power and grounding 39
 remote access
 connectivity 21

removing
 front bezel 27
 server cover 28
replacing
 server cover 30

S

safety information 33
serial number of the server 52
server
 connecting peripherals 47
 environmental specifications 12
 power connection 53
 serial number 52
setting
 modem DIP switches 45
slot assignments 15

slot definition 17
slot numbering 17
software feature key 52
specifications, environmental 12
switches, setting DIP
 modem 45

T

tables, slot assignment 15
TLAN
 illustration 19

U

unpacking
 equipment 26

Nortel CallPilot

1002rp Server Hardware Installation

Copyright © 2007, Nortel Networks
All Rights Reserved.

Publication: NN44200-300
Document status: Standard
Document version: 01.01
Document date: 23 February 2007

To provide feedback or to report a problem in this document, go to www.nortel.com/documentfeedback

Sourced in Canada

The information in this document is subject to change without notice. The statements, configurations, technical data, and recommendations in this document are believed to be accurate and reliable, but are presented without express or implied warranty. Users must take full responsibility for their applications of any products specified in this document. The information in this document is proprietary to Nortel Networks.

*Nortel, the Nortel logo, and the Globemark are trademarks of Nortel Networks.

*Microsoft, MS, MS-DOS, Windows, and Windows NT are registered trademarks of Microsoft Corporation.

All other trademarks and registered trademarks are the property of their respective owners.



Free Manuals Download Website

<http://myh66.com>

<http://usermanuals.us>

<http://www.somanuals.com>

<http://www.4manuals.cc>

<http://www.manual-lib.com>

<http://www.404manual.com>

<http://www.luxmanual.com>

<http://aubethermostatmanual.com>

Golf course search by state

<http://golfingnear.com>

Email search by domain

<http://emailbydomain.com>

Auto manuals search

<http://auto.somanuals.com>

TV manuals search

<http://tv.somanuals.com>