

# Installing the Power Supply for the Centillion 100 Chassis

Part No. 893-00940-A  
July 1996



**Bay Networks**

© 1996 by Bay Networks, Inc. All rights reserved.

## **Trademarks**

Bay Networks, Bay Networks Press, and Centillion 100 are trademarks of Bay Networks, Inc.

Other brand and product names are registered trademarks or trademarks of their respective holders.

## **Electromagnetic Emissions**

Electromagnetic emissions and declaration of conformity information is provided in the *Installation and Reference for the Centillion 100 Chassis*.

## **Related Publication**

For more information about the installation and use of the Centillion 100™ Chassis, refer to the following publication:

*Installation and Reference for the Centillion 100 Chassis*  
(Bay Networks™ part number 893-894-A)

Describes the Centillion 100 Chassis installation procedures.

## **Ordering Bay Networks Publications**

To purchase additional copies of this document or other Bay Networks publications, order by part number from Bay Networks Press™ at the following numbers.

Phone—U.S./Canada: 1-888-422-9773 (1-888-4BAYPRESS)

Phone—International: 1-510-490-4752

FAX—U.S./Canada/International: 1-510-498-2609

You can also use these numbers to request a free Bay Networks Press catalog.

## **Bay Networks Customer Support**

Bay Networks provides live telephone technical support to our distributors, resellers, and service-contracted customers from U.S. and international support centers. If you have purchased your Bay Networks product from a distributor or authorized reseller, contact the technical support staff of that distributor or reseller for assistance with installation, configuration, troubleshooting, or integration issues.

For additional information or advice, contact the Bay Networks Technical Response Center in your area:

United States	1-800-2LANWAN
Valbonne, France	(33) 92-966-968
Sydney, Australia	(61) 2-903-5800
Tokyo, Japan	(81) 3-3288-0331



### **Caution: Please read immediately**

Inspect this power cord and determine if it provides the proper plug and is appropriately certified for use with your electrical system. Immediately discard this cord if it is inappropriate for your country's electrical system and obtain the proper cord as required by your national electrical codes or ordinances.

Refer to this product's technical documentation for detailed installation procedures to be followed by qualified service personnel.



### **Vorsicht: Bitte sofort lesen**

Sehen Sie nach, ob dieses Netzkabel über den richtigen Stecker verfügt und für die Verwendung in Ihrem Stromversorgungsnetz zertifiziert ist. Falls dieses Kabel nicht für das Stromversorgungsnetz in Ihrem Land geeignet ist, darf es nicht verwendet werden. Besorgen Sie sich ein Kabel, das die Vorschriften der Zulassungsbehörden in Ihrem Land erfüllt.

Die technische Dokumentation dieses Produkts enthält ausführliche Installationsanweisungen, die nur von qualifiziertem Kundendienstpersonal ausgeführt werden dürfen.



### **Attention: Lisez ceci immédiatement**

Examinez ce cordon d'alimentation pour déterminer s'il dispose de la fiche appropriée et s'il est bien agréé pour utilisation sur votre installation électrique. Débarrassez-vous en immédiatement s'il ne convient pas à l'utilisation sur le secteur électrique en usage dans votre pays et procurez-vous un cordon conforme à la réglementation nationale en vigueur.

Reportez-vous à la documentation technique de ce produit pour obtenir des instructions détaillées d'installation, destinées à un technicien qualifié.



### **Attenzione: Leggere attentamente**

Controllare questo cavo di alimentazione, verificarne il collegamento con la presa appropriata nonché la certificazione per l'uso nell'impianto elettrico posseduto. Non utilizzare assolutamente in caso tale cavo non sia adatto al sistema elettrico del paese in cui viene utilizzato e richiederne un altro certificato dall'ente nazionale di fornitura elettrica.

Per le procedure di installazione che devono essere seguite dal personale di servizio, consultare questa documentazione tecnica del prodotto.



### **Advertencia: Sírvase leer inmediatamente**

Inspeccione este cable de alimentación eléctrica y determine si viene con el enchufe apropiado y está debidamente certificado para el uso con su sistema eléctrico. Si no cumple con los reglamentos del sistema eléctrico de su país, despójese de este cable de alimentación inmediatamente y obtenga el cable requerido, según las ordenanzas y códigos eléctricos nacionales.

Refiérase a la documentación técnica de este producto para recibir información detallada sobre los procedimientos que el personal calificado de reparaciones deberá seguir



### **注意：最初にお読み下さい。**

本電源コードが、ご使用になる電力規格に適したプラグ部で、且つ適正な規格証明がついているかどうかをお確かめ下さい。

もし本電源コードがご使用の電力規格に不適格な場合はただちに使用を中止し、ご使用の国家規格・法令に定められた適切な電源コードをご使用下さい。

本製品の取付方法につきましては、取扱技術説明書をご覧のうえ資格認定を受けたサービス・スタッフの指示に従って下さい。

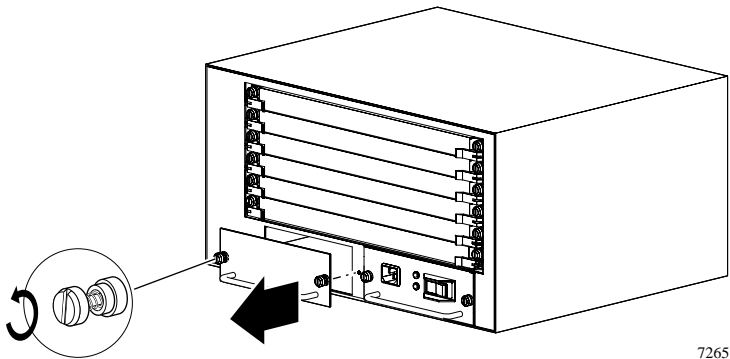
## Adding a Power Supply

---



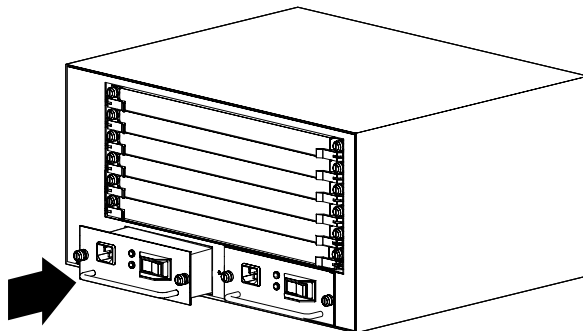
**CAUTION:** Only qualified technicians should install this equipment.

**Required tool:** Flat-tip screwdriver



7265

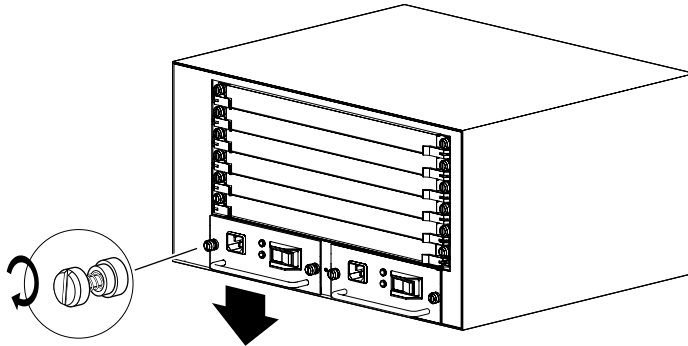
1. Use the flat-tip screwdriver to loosen the two screws; then remove the filler panel from the chassis.



7266

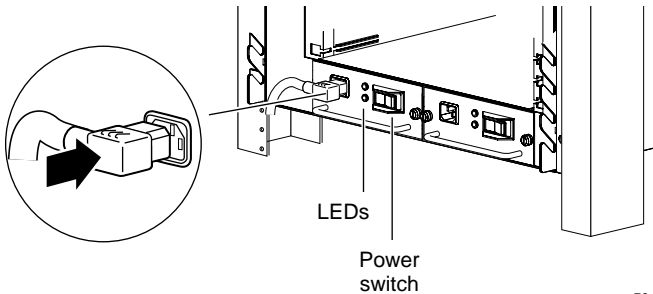
2. Align the new power supply with the slot guides and slide the power supply into the chassis.

## Installing the Power Supply for the Centillion 100 Chassis



7267

3. Push down on the power supply handle to align the screws and tighten the screws to between 2 and 4 inch-pounds of torque. Do not overtighten.



7268

4. Connect the power cord to the power supply and then to the wall. (See power cord caution on page 1.)
5. Turn on the power. Verify that the upper (green) LED lights.

For detailed instructions, refer to *Installation and Reference for the Centillion 100 Chassis*.

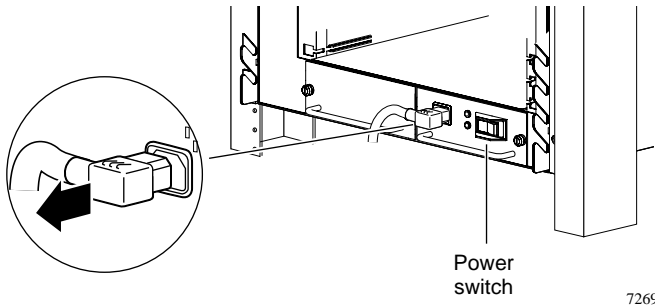
## Replacing a Power Supply

---

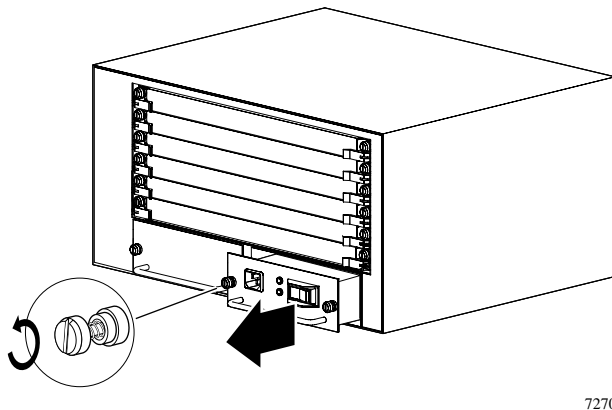


**CAUTION:** Only qualified technicians should replace this equipment.

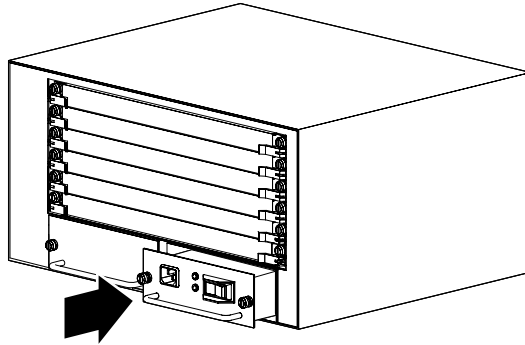
**Required tool:** Flat-tip screwdriver



1. Turn off the power to the faulty power supply and unplug the cord.

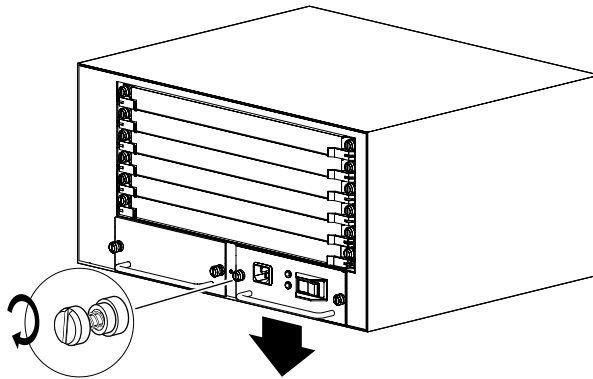


2. Use the flat-tip screwdriver to loosen the two screws; then remove the power supply from the chassis.



7271

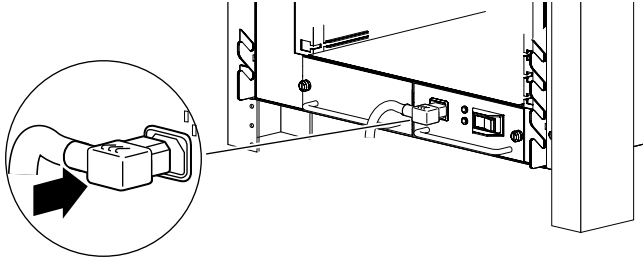
3. Align the new power supply with the slot guides and slide it into the chassis.



7272

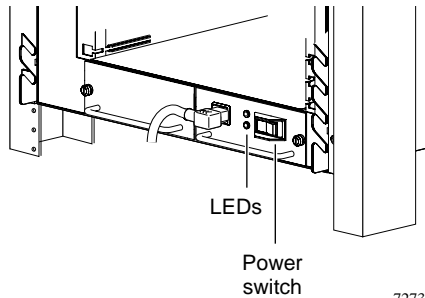
4. Push down on the power supply handle to align the screws and tighten the screws to between 2 and 4 inch-pounds of torque. Do not overtighten.





7273

5. Connect the power cord to the power supply and then to the wall. (See power cord caution on page 1.)



7273.1

6. Turn on the power. Verify that the upper (green) LED lights.

For detailed instructions, refer to *Installation and Reference for the Centillion 100 Chassis*.

## Specifications

---

The following table provides the specifications for the power supply.

---

<b>Electrical</b>	Line frequency:	47 to 440 Hz
	Volt Amperes rating:	250 VA
	Input voltage:	90 to 132 V or 180 to 264 V
	Input current rating:	5/2.5 A
	Fuses:	Internal; not accessible to user
<b>Thermal rating</b>	One power supply:	850 BTU/hr. maximum
	Multiple power supplies:	900 BTU/hr. maximum
<b>Physical</b>	Dimensions:	2.4 in. (H) x 6.5 in. (W) x 12 in. (D) 6.1 cm (H) x 16.5 cm (W) x 30.5 cm (D)
	Handle projection:	1 in. (2.54 cm)
	Weight:	1.6 lb (0.725 kg)

---

## Free Manuals Download Website

<http://myh66.com>

<http://usermanuals.us>

<http://www.somanuals.com>

<http://www.4manuals.cc>

<http://www.manual-lib.com>

<http://www.404manual.com>

<http://www.luxmanual.com>

<http://aubethermostatmanual.com>

Golf course search by state

<http://golfingnear.com>

Email search by domain

<http://emailbydomain.com>

Auto manuals search

<http://auto.somanuals.com>

TV manuals search

<http://tv.somanuals.com>