

Part No. 208290-B  
April 2000

4401 Great America Parkway  
Santa Clara, CA 95054

# Installing the Passport 8006 Chassis Fan Tray

**NORTEL**  
**NETWORKS™**

## Copyright © 2000 Nortel Networks

All rights reserved. April 2000.

### Trademarks

NORTEL NETWORKS and Passport are trademarks of Nortel Networks.

All other trademarks and registered trademarks are the property of their respective owners.

### Statement of Conditions

In the interest of improving internal design, operational function, and/or reliability, Nortel Networks NA Inc. reserves the right to make changes to the products described in this document without notice.

Nortel Networks NA Inc. does not assume any liability that may occur due to the use or application of the product(s) or circuit layout(s) described herein.

### Federal Communications Commission (FCC) Statement

Note: This equipment has been tested and found to comply with the limits for a Class A digital device, pursuant to Part 15 of the FCC rules. These limits are designed to provide reasonable protection against harmful interference when the equipment is operated in a commercial environment. This equipment generates, uses, and can radiate radio frequency energy. If it is not installed and used in accordance with the instruction manual, it may cause harmful interference to radio communications. Operation of this equipment in a residential area is likely to cause harmful interference, in which case users will be required to take whatever measures may be necessary to correct the interference at their own expense.

### EN 55 022 Declaration of Conformance

This is to certify that the Nortel Networks Passport 8006 Chassis Fan Tray is shielded against the generation of radio interference in accordance with the application of Council Directive 89/336/EEC, Article 4a. Conformity is declared by the application of EN 55 022 Class A (CISPR 22).



**Caution:** This device is a Class A product. In a domestic environment, this device can cause radio interference, in which case the user may be required to take appropriate measures.

---

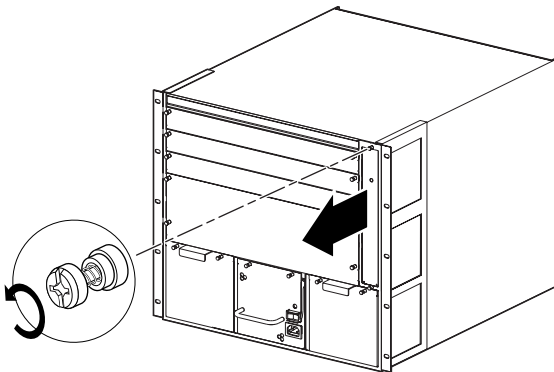
## About This Guide

This guide provides instructions for replacing a fan tray in the Passport™ 8006 Chassis. For more information about the chassis, refer to *Installing the Passport 8006 Chassis* (part number 207313-B).

You can replace a fan tray without turning off power to the chassis. To maintain proper cooling of the chassis, be sure to install the replacement fan immediately.

## Replacing a Fan Tray

**Required tool:** Phillips screwdriver



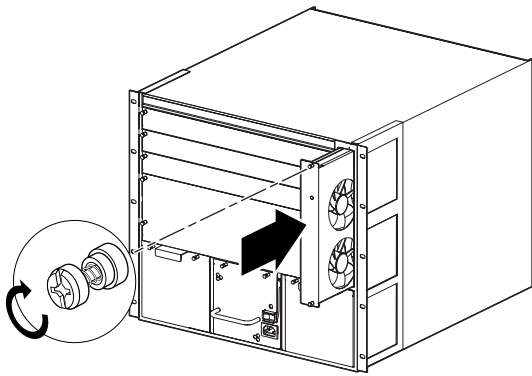
9590FA

1. Loosen the retaining screws and pull the fan tray out of the chassis until the power connector disconnects from the backplane.

Wait 10 seconds for the fans to stop turning, and then pull the tray out of the chassis.

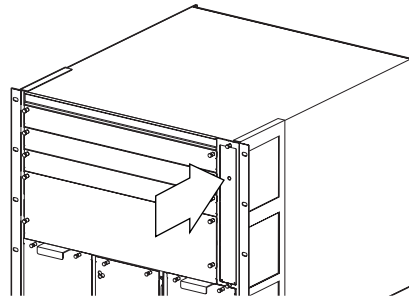


**Caution:** Grasp the fan tray at the middle of the front panel, and be careful to keep your fingers out of the fan blades.



9591FA

2. Slide the new fan tray into the chassis and tighten the retaining screws.



9592FA

3. When the chassis power is on, verify that the green status LED is lit.

## Free Manuals Download Website

<http://myh66.com>

<http://usermanuals.us>

<http://www.somanuals.com>

<http://www.4manuals.cc>

<http://www.manual-lib.com>

<http://www.404manual.com>

<http://www.luxmanual.com>

<http://aubethermostatmanual.com>

Golf course search by state

<http://golfingnear.com>

Email search by domain

<http://emailbydomain.com>

Auto manuals search

<http://auto.somanuals.com>

TV manuals search

<http://tv.somanuals.com>