



NORTEL

Nortel Ethernet Routing Switch 8300

Installation — Chassis

Release: 4.1

Document Revision: 01.01

www.nortel.com

NN46200-309

324403-A Rev 01

Nortel Ethernet Routing Switch 8300
Release: 4.1
Publication: NN46200-309
Document status: Standard
Document release date: 16 June 2008

Copyright © 2008 Nortel Networks
All Rights Reserved.

Printed in Canada and the United States of America

LEGAL NOTICE

While the information in this document is believed to be accurate and reliable, except as otherwise expressly agreed to in writing NORTEL PROVIDES THIS DOCUMENT "AS IS" WITHOUT WARRANTY OR CONDITION OF ANY KIND, EITHER EXPRESS OR IMPLIED. The information and/or products described in this document are subject to change without notice.

Nortel, the Nortel logo, the Globemark, and Passport are trademarks of Nortel Networks.

All other trademarks are the property of their respective owners.

ATTENTION

For information about the regulatory message, read "Regulatory Information and Safety Precautions" in this guide.

For information about the software license, read "Software license" in this guide.

Contents

Regulatory Information and Safety Precautions	5
EN 55 022 Statements	6
EN 300386 Statement	6
European Union and European Free Trade Association (EFTA) Notice	7
Denan Statement (Japan/Nippon only)	10
Safety Messages	10
Notices	11
<hr/>	
Software license	15
<hr/>	
New in this release	19
Features	19
8005DC power supply	19
Dual input DC-DC switching power supply	19
Other changes	19
Document changes	19
<hr/>	
Introduction	21
Navigation	21
<hr/>	
Chassis installation fundamentals	23
Ethernet Routing Switch 8310 chassis	23
Ethernet Routing Switch 8306 chassis	25
Power supplies	26
Fan trays	27
Hardware requirements	28
Shipment contents	28
Successful installation verification	32
<hr/>	
Ethernet Routing Switch 8310 and 8306 chassis installation	33
Chassis installation procedures	33
Chassis installation time requirements	35
Reducing the chassis weight	35
Installing the chassis on a flat surface	35
Procedure job aid: Chassis weight including components	36

Mounting the Ethernet Routing Switch 8310 and 8306 chassis in an equipment rack 36

Procedure job aid: Maximum number of chassis installed in 7-foot rack 40
Installing the cable guides 40

Switch operations **43**

Powering on DC power supplies 43
Powering on AC power supplies 44
Resetting the switch 45
Installing removable flash memory cards 46
Removing removable flash memory cards 47
Protecting memory card files 48

Part Numbers **51**

Technical specifications **55**

Ethernet Routing Switch 8310 chassis specifications 55
Physical specifications 55
Environmental specifications 56
International regulatory requirements 56
Ethernet Routing Switch 8306 chassis specifications 57
Physical specifications 57
Environmental specifications 58
International regulatory requirements 58
Ethernet Routing Switch 8301 AC power supply specifications 59
Ethernet Routing Switch 8302 AC power supply specifications 60
Ethernet Routing Switch 8005DC power supply specifications 61
Ethernet Routing Switch 8005DI DC power supply specifications 62

Translations of safety messages **63**

Class A device caution statement 63
Electrostatic discharge caution statement 64

Regulatory Information and Safety Precautions

Read the information in this section to learn about regulatory conformities and compliances.

International Regulatory Statements of Conformity

This is to certify that the Nortel 8300 Series chassis and components installed within the chassis were evaluated to the international regulatory standards for electromagnetic compliance (EMC) and safety and were found to have met the requirements for the following international standards:

- EMC - Electromagnetic Emissions – CISPR 22, Class A
- EMC - Electromagnetic Immunity – CISPR 24
- Electrical Safety – IEC 60950, with CB member national deviations

Further, the equipment has been certified as compliant with the national standards as detailed below.

National Electromagnetic Compliance (EMC) Statements of Compliance

FCC Statement (USA only)

This equipment has been tested and found to comply with the limits for a Class A digital device, pursuant to Part 15 of the Federal Communications Commission (FCC) rules. These limits are designed to provide reasonable protection against harmful interference when the equipment is operated in a commercial environment. This equipment generates, uses, and can radiate radio frequency energy. If it is not installed and used in accordance with the instruction manual, it may cause harmful interference to radio communications. Operation of this equipment in a residential area is likely to cause harmful interference, in which case users will be required to take whatever measures may be necessary to correct the interference at their own expense.

ICES Statement (Canada only)

Canadian Department of Communications Radio Interference Regulations

This digital apparatus (8300 Series chassis and installed components) does not exceed the Class A limits for radio-noise emissions from digital apparatus as set out in the Radio Interference Regulations of the Canadian Department of Communications.

Règlement sur le Brouillage Radioélectrique du Ministère des Communications

Cet appareil numérique (8300 Series chassis) respecte les limites de bruits radioélectriques visant les appareils numériques de classe A prescrites dans le Règlement sur le brouillage radioélectrique du ministère des Communications du Canada.

CE Marking Statement (Europe only)

EN 55 022 Statements

This is to certify that the Nortel 8300 Series chassis and components installed within the chassis are shielded against the generation of radio interference in accordance with the application of Council Directive 2004/108/EC. Conformity is declared by the application of EN 55 022 Class A (CISPR 22).



CAUTION

This device is a Class A product. Operation of this equipment in a residential area is likely to cause harmful interference, in which case users are required to take appropriate measures necessary to correct the interference at their own expense.

EN 55 024 Statement

This is to certify that the Nortel 8300 Series chassis is shielded against the susceptibility to radio interference in accordance with the application of Council Directive 2004/108/EC. Conformity is declared by the application of EN 55 024 (CISPR 24).

EN 300386 Statement


The Ethernet Routing Switch 8300 Series chassis complies with the requirements of EN 300386 V1.3.3 for emissions and for immunity for a Class A device intended for use in either Telecommunications centre or locations other than telecommunications centres given the performance criteria as specified by the manufacturer.

EC Declaration of Conformity

This product conforms to the provisions of the R&TTE Directive 1999/5/EC.

Nortel Ethernet Routing Switch 8300
Installation — Chassis
NN46200-309 01.01 Standard
16 June 2008

European Union and European Free Trade Association (EFTA) Notice

 All products labeled with the CE marking comply with R&TTE Directive (1999/5/EEC) which includes the Electromagnetic Compliance (EMC) Directive (2004/108/EC) and the Low Voltage Directive (2006/95/EC) issued by the Commission of the European Community.

Compliance with these directives implies conformity to the following European Norms (ENs). The equivalent international standards are listed in parenthesis.

- EN 55022 (CISPR 22)—Electromagnetic Interference
- EN 55024 (IEC 61000-4-2, -3, -4, -5, -6, -8, -11)—Electromagnetic Immunity
- EN 61000-3-2 (IEC 61000-3-2)—Power Line Harmonics
- EN 61000-3-3 (IEC 61000-3-3)—Power Line Flicker

VCCI Statement (Japan/Nippon only)

This is a Class A product based on the standard of the Voluntary Control Council for Interference (VCCI) for information technology equipment. If this equipment is used in a domestic environment, radio disturbance may arise. When such trouble occurs, the user may be required to take corrective actions.

この装置は、情報処理装置等電波障害自主規制協議会（VCCI）の基準に基づくクラスA情報技術装置です。この装置を家庭環境で使用すると電波妨害を引き起こすことがあります。この場合には使用者が適切な対策を講ずるよう要求されることがあります。

BSMI Statement for 8310, and 8306 Chassis (Taiwan only)

This is a Class A product based on the standard of the Bureau of Standards, Metrology and Inspection (BSMI) CNS 13438, Class A.

警告使用者：
這是甲類的資訊產品，在居住的環境中使用時，可能會造成射頻干擾，在這種情況下，使用者會被要求採取某些適當的對策。

MIC notice for 8310, and 8306 chassis (Republic of Korea only)

This device has been approved for use in Business applications only per the Class A requirements of the Republic of Korea Ministry of Information and Communications (MIC). This device may not be sold for use in a non-business application.



National Safety Statements of Compliance CE Marking Statement (Europe only)

EN 60 950 Statement

This is to certify that the Nortel 8300 Series chassis and components installed within the chassis are in compliance with the requirements of EN 60 950 in accordance with the Low Voltage Directive. Additional national differences for all European Union countries have been evaluated for compliance. Some components installed within the 8300 Series chassis may use a nickel-metal hydride (NiMH) and/or lithium-ion battery. The NiMH and lithium-ion batteries are long-life batteries, and it is very possible that you will never need to replace them. However, should you need to replace them, refer to the individual component manual for directions on replacement and disposal of the battery.

NOM Statement 8310 and 8306 Chassis (Mexico only)

The following information is provided on the devices described in this document in compliance with the safety requirements of the Norma Oficial Mexicana (NOM):

Exporter: Nortel Networks, Inc.
4655 Great America Parkway
Santa Clara CA 95054 USA

Importer: Nortel Networks de México, S.A. de C.V.
Avenida Insurgentes Sur #1605
Piso 30, Oficina
Col. San Jose Insurgentes
Deleg-Benito Juarez
México D.F. 03900

Tel: 52 5 480 2100

Nortel Ethernet Routing Switch 8300
Installation — Chassis
NN46200-309 01.01 Standard
16 June 2008

Fax: 52 5 480 2199

Input: (8306 and 8310 Chassis only)

8301AC: 100 to 240 VAC 16A 47 to 60 Hz per power supply

8301AC: 200 to 240 VAC 12 A 47 to 60 Hz per power supply
single supply, single supply + one redundant supply, two supplies, or two
supplies + one redundant supply configurations

8302AC: 100 to 240 VAC 12A 47 to 60 Hz per power supply

8302AC: 200 to 240 VAC 10A 47 to 60 Hz per power supply
single supply, single supply + one redundant supply, two supplies, or two
supplies + one redundant supply configurations

8005DIDC: 40 to 75 VDC, 48.75 to 32.5 A
single supply, single supply + one redundant supply, two supplies, or two
supplies + one redundant supply configurations

8005DC: 48 to 60 VDC, 42 to 34 A
single supply, single supply + one redundant supply, two supplies, or two
supplies + one redundant supply configurations

Información NOM (unicamente para México)

La información siguiente se proporciona en el dispositivo o en los dispositivos descritos en este documento, en cumplimiento con los requisitos de la Norma Oficial Mexicana (NOM):

Exportador: Nortel Networks, Inc.
4655 Great America Parkway
Santa Clara, CA 95054 USA

Importador: Nortel Networks de México, S.A. de C.V.
Avenida Insurgentes Sur #1605
Piso 30, Oficina
Col. San Jose Insurgentes
Deleg-Benito Juarez
México D.F. 03900

Tel: 52 5 480 2100

Fax: 52 5 480 2199

Embarcar a: (8306 and 8310 Chassis)

8301AC:100 to 240 VAC 16A 47 to 60 Hz por fuente de poder

8301AC: 200 to 240 VAC 12 A 47 to 60 Hz por fuente de poder una fuente, una fuente + configuraciones de una fuente redundante, dos fuentes o dos + configuraciones de una fuente redundante

8302AC:100 to 240 VAC 12A 47 to 60 Hz por fuente de poder

8302AC: 200 to 240 VAC 10 A 47 to 60 Hz por fuente de poder una fuente, una fuente + configuraciones de una fuente redundante, dos fuentes o dos + configuraciones de una fuente redundante

8005DIDC: 40 to 75 VDC, 48.75 to 32.5 A

una fuente, una fuente + configuraciones de una fuente redundante, dos fuentes o dos + configuraciones de una fuente redundante

8005DC: 48 to 60 VDC, 42 to 34 A

una fuente, una fuente + configuraciones de una fuente redundante, dos fuentes o dos + configuraciones de una fuente redundante

Denan Statement (Japan/Nippon only)



警告

本製品を安全にご使用頂くため、以下のことにご注意ください。

- 接続ケーブル、電源コード、ACアダプタなどの部品は、必ず製品に同梱されております添付品または指定品をご使用ください。添付品・指定品以外の部品をご使用になると故障や動作不良、火災の原因となることがあります。
 - 同梱されております付属の電源コードを他の機器には使用しないでください。上記注意事項を守らないと、死亡や大怪我など人身事故の原因となることがあります。
-

Safety Messages

This section describes the different precautionary notices used in this document. This section also contains precautionary notices that you must read for safe operation of the Nortel Ethernet Routing Switch 8300.

Notices

Notice paragraphs alert you about issues that require your attention. The following sections describe the types of notices. For a list of safety messages used in this guide and their translations, see "Translations of safety messages".

Attention Notice

ATTENTION

An attention notice provides important information regarding the installation and operation of Nortel products.

Caution ESD Notice



CAUTION ESD

ESD notices provide information about how to avoid discharge of static electricity and subsequent damage to Nortel products.



CAUTION ESD (décharge électrostatique)

La mention ESD fournit des informations sur les moyens de prévenir une décharge électrostatique et d'éviter d'endommager les produits Nortel.



CAUTION ACHTUNG ESD

ESD-Hinweise bieten Information dazu, wie man die Entladung von statischer Elektrizität und Folgeschäden an Nortel-Produkten verhindert.



CAUTION PRECAUCIÓN ESD (Descarga electrostática)

El aviso de ESD brinda información acerca de cómo evitar una descarga de electricidad estática y el daño posterior a los productos Nortel.



CAUTION CUIDADO ESD

Os avisos do ESD oferecem informações sobre como evitar descarga de eletricidade estática e os consequentes danos aos produtos da Nortel.



CAUTION ATTENZIONE ESD

Le indicazioni ESD forniscono informazioni per evitare scariche di elettricità statica e i danni correlati per i prodotti Nortel.

Caution Notice

**CAUTION**

Caution notices provide information about how to avoid possible service disruption or damage to Nortel products.

**CAUTION
ATTENTION**

La mention Attention fournit des informations sur les moyens de prévenir une perturbation possible du service et d'éviter d'endommager les produits Nortel.

**CAUTION
ACHTUNG**

Achtungshinweise bieten Informationen dazu, wie man mögliche Dienstunterbrechungen oder Schäden an Nortel-Produkten verhindert.

**CAUTION
PRECAUCIÓN**

Los avisos de Precaución brindan información acerca de cómo evitar posibles interrupciones del servicio o el daño a los productos Nortel.

**CAUTION
CUIDADO**

Os avisos de cuidado oferecem informações sobre como evitar possíveis interrupções do serviço ou danos aos produtos da Nortel.

**CAUTION
ATTENZIONE**

Le indicazioni di attenzione forniscono informazioni per evitare possibili interruzioni del servizio o danni ai prodotti Nortel.

Warning Notice

**WARNING**

Warning notices provide information about how to avoid personal injury when working with Nortel products.

**WARNING
AVERTISSEMENT**

La mention Avertissement fournit des informations sur les moyens de prévenir les risques de blessure lors de la manipulation de produits Nortel.



**WARNING
WARNUNG**

Warnhinweise bieten Informationen dazu, wie man Personenschäden bei der Arbeit mit Nortel-Produkten verhindert.



**WARNING
ADVERTENCIA**

Los avisos de Advertencia brindan información acerca de cómo prevenir las lesiones a personas al trabajar con productos Nortel.



**WARNING
AVISO**

Os avisos oferecem informações sobre como evitar ferimentos ao trabalhar com os produtos da Nortel.



**WARNING
AVVISO**

Le indicazioni di avviso forniscono informazioni per evitare danni alle persone durante l'utilizzo dei prodotti Nortel.

Danger High Voltage Notice



DANGER

Danger—High Voltage notices provide information about how to avoid a situation or condition that can cause serious personal injury or death from high voltage or electric shock.



DANGER

La mention Danger—Tension élevée fournit des informations sur les moyens de prévenir une situation ou une condition qui pourrait entraîner un risque de blessure grave ou mortelle à la suite d'une tension élevée ou d'un choc électrique.



**DANGER
GEFAHR**

Hinweise mit Vorsicht – Hochspannung“ bieten Informationen dazu, wie man Situationen oder Umstände verhindert, die zu schweren Personenschäden oder Tod durch Hochspannung oder Stromschlag führen können.



**DANGER
PELIGRO**

Los avisos de Peligro-Alto voltaje brindan información acerca de cómo evitar una situación o condición que cause graves lesiones a personas o la muerte, a causa de una electrocución o de una descarga de alto voltaje.



**DANGER
PERIGO**

Avisos de Perigo—Alta Tensão oferecem informações sobre como evitar uma situação ou condição que possa causar graves ferimentos ou morte devido a alta tensão ou choques elétricos.



**DANGER
PERICOLO**

Le indicazioni Pericolo—Alta tensione forniscono informazioni per evitare situazioni o condizioni che potrebbero causare gravi danni alle persone o il decesso a causa dell'alta tensione o di scosse elettriche.

Danger Notice



DANGER

Danger notices provide information about how to avoid a situation or condition that can cause serious personal injury or death.



DANGER

La mention Danger fournit des informations sur les moyens de prévenir une situation ou une condition qui pourrait entraîner un risque de blessure grave ou mortelle.



**DANGER
GEFAHR**

Gefahrenhinweise stellen Informationen darüber bereit, wie man Situationen oder Umständen verhindert, die zu schweren Personenschäden oder Tod führen können.



**DANGER
PELIGRO**

Los avisos de Peligro brindan información acerca de cómo evitar una situación o condición que pueda causar lesiones personales graves o la muerte.



**DANGER
PERIGO**

Avisos de perigo oferecem informações sobre como evitar uma situação ou condição que possa causar graves ferimentos ou morte.



**DANGER
PERICOLO**

Le indicazioni di pericolo forniscono informazioni per evitare situazioni o condizioni che potrebbero causare gravi danni alle persone o il decesso.

Software license

This section contains the Nortel Networks software license.

Nortel Networks Inc. software license agreement

This Software License Agreement ("License Agreement") is between you, the end-user ("Customer") and Nortel Networks Corporation and its subsidiaries and affiliates ("Nortel Networks"). PLEASE READ THE FOLLOWING CAREFULLY. YOU MUST ACCEPT THESE LICENSE TERMS IN ORDER TO DOWNLOAD AND/OR USE THE SOFTWARE. USE OF THE SOFTWARE CONSTITUTES YOUR ACCEPTANCE OF THIS LICENSE AGREEMENT. If you do not accept these terms and conditions, return the Software, unused and in the original shipping container, within 30 days of purchase to obtain a credit for the full purchase price.

"Software" is owned or licensed by Nortel Networks, its parent or one of its subsidiaries or affiliates, and is copyrighted and licensed, not sold. Software consists of machine-readable instructions, its components, data, audio-visual content (such as images, text, recordings or pictures) and related licensed materials including all whole or partial copies. Nortel Networks grants you a license to use the Software only in the country where you acquired the Software. You obtain no rights other than those granted to you under this License Agreement. You are responsible for the selection of the Software and for the installation of, use of, and results obtained from the Software.

1. Licensed Use of Software. Nortel Networks grants Customer a nonexclusive license to use a copy of the Software on only one machine at any one time or to the extent of the activation or authorized usage level, whichever is applicable. To the extent Software is furnished for use with designated hardware or Customer furnished equipment ("CFE"), Customer is granted a nonexclusive license to use Software only on such hardware or CFE, as applicable. Software contains trade secrets and Customer agrees to treat Software as confidential information using the same care and discretion Customer uses with its own similar information that it does not wish to disclose, publish or disseminate. Customer will ensure that anyone who uses the Software does so only in compliance with the terms

of this Agreement. Customer shall not a) use, copy, modify, transfer or distribute the Software except as expressly authorized; b) reverse assemble, reverse compile, reverse engineer or otherwise translate the Software; c) create derivative works or modifications unless expressly authorized; or d) sublicense, rent or lease the Software. Licensors of intellectual property to Nortel Networks are beneficiaries of this provision. Upon termination or breach of the license by Customer or in the event designated hardware or CFE is no longer in use, Customer will promptly return the Software to Nortel Networks or certify its destruction. Nortel Networks may audit by remote polling or other reasonable means to determine Customer's Software activation or usage levels. If suppliers of third party software included in Software require Nortel Networks to include additional or different terms, Customer agrees to abide by such terms provided by Nortel Networks with respect to such third party software.

2. Warranty. Except as may be otherwise expressly agreed to in writing between Nortel Networks and Customer, Software is provided "AS IS" without any warranties (conditions) of any kind. NORTEL NETWORKS DISCLAIMS ALL WARRANTIES (CONDITIONS) FOR THE SOFTWARE, EITHER EXPRESS OR IMPLIED, INCLUDING, BUT NOT LIMITED TO THE IMPLIED WARRANTIES OF MERCHANTABILITY AND FITNESS FOR A PARTICULAR PURPOSE AND ANY WARRANTY OF NON-INFRINGEMENT. Nortel Networks is not obligated to provide support of any kind for the Software. Some jurisdictions do not allow exclusion of implied warranties, and, in such event, the above exclusions may not apply.

3. Limitation of Remedies. IN NO EVENT SHALL NORTEL NETWORKS OR ITS AGENTS OR SUPPLIERS BE LIABLE FOR ANY OF THE FOLLOWING: a) DAMAGES BASED ON ANY THIRD PARTY CLAIM; b) LOSS OF, OR DAMAGE TO, CUSTOMER'S RECORDS, FILES OR DATA; OR c) DIRECT, INDIRECT, SPECIAL, INCIDENTAL, PUNITIVE, OR CONSEQUENTIAL DAMAGES (INCLUDING LOST PROFITS OR SAVINGS), WHETHER IN CONTRACT, TORT OR OTHERWISE (INCLUDING NEGLIGENCE) ARISING OUT OF YOUR USE OF THE SOFTWARE, EVEN IF NORTEL NETWORKS, ITS AGENTS OR SUPPLIERS HAVE BEEN ADVISED OF THEIR POSSIBILITY. The forgoing limitations of remedies also apply to any developer and/or supplier of the Software. Such developer and/or supplier is an intended beneficiary of this Section. Some jurisdictions do not allow these limitations or exclusions and, in such event, they may not apply.

4. General

1. If Customer is the United States Government, the following paragraph shall apply: All Nortel Networks Software available under this License Agreement is commercial computer software and commercial computer

software documentation and, in the event Software is licensed for or on behalf of the United States Government, the respective rights to the software and software documentation are governed by Nortel Networks standard commercial license in accordance with U.S. Federal Regulations at 48 C.F.R. Sections 12.212 (for non-DoD entities) and 48 C.F.R. 227.7202 (for DoD entities).

2. Customer may terminate the license at any time. Nortel Networks may terminate the license if Customer fails to comply with the terms and conditions of this license. In either event, upon termination, Customer must either return the Software to Nortel Networks or certify its destruction.
3. Customer is responsible for payment of any taxes, including personal property taxes, resulting from Customer's use of the Software. Customer agrees to comply with all applicable laws including all applicable export and import laws and regulations.
4. Neither party may bring an action, regardless of form, more than two years after the cause of the action arose.
5. The terms and conditions of this License Agreement form the complete and exclusive agreement between Customer and Nortel Networks.
6. This License Agreement is governed by the laws of the country in which Customer acquires the Software. If the Software is acquired in the United States, then this License Agreement is governed by the laws of the state of New York.

Nortel Ethernet Routing Switch 8300
Installation — Chassis
NN46200-309 01.01 Standard
16 June 2008

New in this release

The following sections detail what's new in *Nortel Ethernet Routing Switch 8300 Installation — Chassis Installation and Maintenance, NN46200-309* for Release 4.1:

- [“Features” \(page 19\)](#)
- [“Other changes” \(page 19\)](#)

Features

See the following sections for information about feature changes:

- [“8005DC power supply” \(page 19\)](#)
- [“Dual input DC-DC switching power supply” \(page 19\)](#)

8005DC power supply

Release 4.1 introduces the 8005DC power supply. For more information, see [“Ethernet Routing Switch 8005DC power supply specifications” \(page 61\)](#).

Dual input DC-DC switching power supply

Release 4.1 introduces a dual input DC-DC switching power supply—the 8005DI DC. For more information, see [“Ethernet Routing Switch 8005DI DC power supply specifications” \(page 62\)](#).

Other changes

See the following sections for information about changes that are not feature-related:

- [“Document changes” \(page 19\)](#)

Document changes

This document is restructured to align with Nortel Customer Documentation Standards.

Introduction

The Nortel Ethernet Routing Switch 8300 chassis provides the physical framework for the Nortel Ethernet Routing Switch 8300 modules.

This document provides the instructions for installing the Nortel Ethernet Routing Switch 8300 chassis (8306 and 8310 chassis) in an equipment rack. This document also describes some of the routine tasks that you use to operate the Nortel Ethernet Routing Switch 8300 and includes technical specifications for the chassis and modules.

Prerequisites

- Before you install the Ethernet Routing Switch 8300 chassis, ensure that you use standard cable-system practices to install all network wiring on the premises.

Navigation

- [“Chassis installation fundamentals” \(page 23\)](#)
- [“Ethernet Routing Switch 8310 and 8306 chassis installation” \(page 33\)](#)
- [“Switch operations” \(page 43\)](#)
- [“Part Numbers” \(page 51\)](#)
- [“Technical specifications” \(page 55\)](#)

Chassis installation fundamentals

This chapter describes fundamental information that you need for installing the Ethernet Routing Switch 8300 chassis (8306 and 8310 chassis) .

Each Ethernet Routing Switch 8300 chassis consists of a sheet metal enclosure and a backplane. The number of bays for fan trays depends on the chassis type.

For information about the minimum software versions required to support the hardware, see *Nortel Ethernet Routing Switch 8300 Administration, NN46200-604*.

This section includes information about the following chassis types:

- Ethernet Routing Switch 8310 chassis
- Ethernet Routing Switch 8306 chassis

Navigation

- [“Ethernet Routing Switch 8310 chassis” \(page 23\)](#)
- [“Ethernet Routing Switch 8306 chassis” \(page 25\)](#)
- [“Power supplies” \(page 26\)](#)
- [“Fan trays” \(page 27\)](#)
- [“Site requirements” \(page 27\)](#)
- [“Hardware requirements” \(page 28\)](#)
- [“Successful installation verification” \(page 32\)](#)

Ethernet Routing Switch 8310 chassis

The Ethernet Routing Switch 8310 chassis provides eight slots for installing Ethernet Routing Switch 8300 I/O modules and two slots for installing the Ethernet Routing Switch 8393SF/CPU or 8394SF/CPU

modules. Slots are numbered from the top down. You can install 8300 Series I/O switch modules in slots 1 through 4 and slots 7 through 10. Slots 5 and 6 are reserved for the 8393SF/CPU or 8394SF/CPU modules.

The Ethernet Routing Switch 8310 chassis has three bays for either AC or DC power supplies and two fan trays for cooling. [Figure 1 "Ethernet Routing Switch 8310 chassis and components" \(page 25\)](#) also shows the location of customer-replaceable components in the Ethernet Routing Switch 8310 chassis.

The Ethernet Routing Switch 8310 chassis includes a Power over Ethernet (PoE) backplane that supports 802.3af PoE. The PoE feature requires the following components:

- Ethernet Routing Switch 8306 or 8310 chassis with PoE backplane
- Ethernet Routing Switch 8301AC or 8302AC power supply
- Ethernet Routing Switch 8393SF/CPU or 8394SF/CPU module

and a choice of either of the following:

- Ethernet Routing Switch 8348TX-PWR module
- Ethernet Routing Switch 8348GTX-PWR module

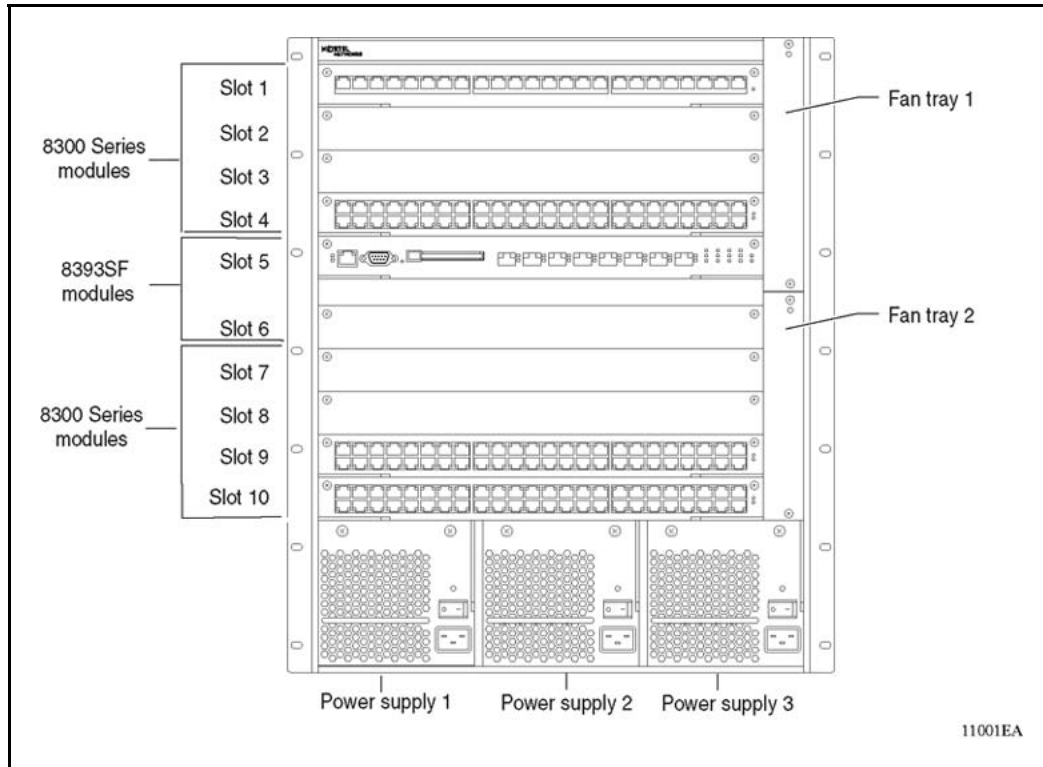


CAUTION

Risk of equipment damage

Do not install Ethernet Routing Switch 8300 modules and Ethernet Routing Switch 8100 or 8600 modules within the same chassis. Ethernet Routing Switch 8300 Series software does not support mixed configurations. A mixed configuration can damage the modules and void your warranty.

Figure 1
Ethernet Routing Switch 8310 chassis and components



Ethernet Routing Switch 8306 chassis

The Ethernet Routing Switch 8306 chassis provides four slots for installing I/O modules and two slots for installing Ethernet Routing Switch 8393SF/CPU or 8394SF/CPU modules. See [Figure 2 "8306 chassis and components" \(page 26\)](#). You can use the top four slots to install 8300 I/O switch modules. Slots 5 and 6 are reserved for Ethernet Routing Switch 8393SF/CPU or 8394SF/CPU modules.

The Ethernet Routing Switch 8306 chassis has three bays for either AC or DC power supplies and a single fan tray for cooling. [Figure 2 "8306 chassis and components" \(page 26\)](#) also shows the location of customer-replaceable components in the 8306 chassis.

The Ethernet Routing Switch 8306 chassis includes a PoE backplane that supports 802.3af PoE. The PoE feature requires the following components:

- Ethernet Routing Switch 8306 or 8310 chassis with PoE backplane
- Ethernet Routing Switch 8301AC or 8302AC power supply
- Ethernet Routing Switch 8393SF/CPU or 8394SF/CPU module

and a choice of either of the following:

- Ethernet Routing Switch 8348TX-PWR module or
- Ethernet Routing Switch 8348GTX-PWR module


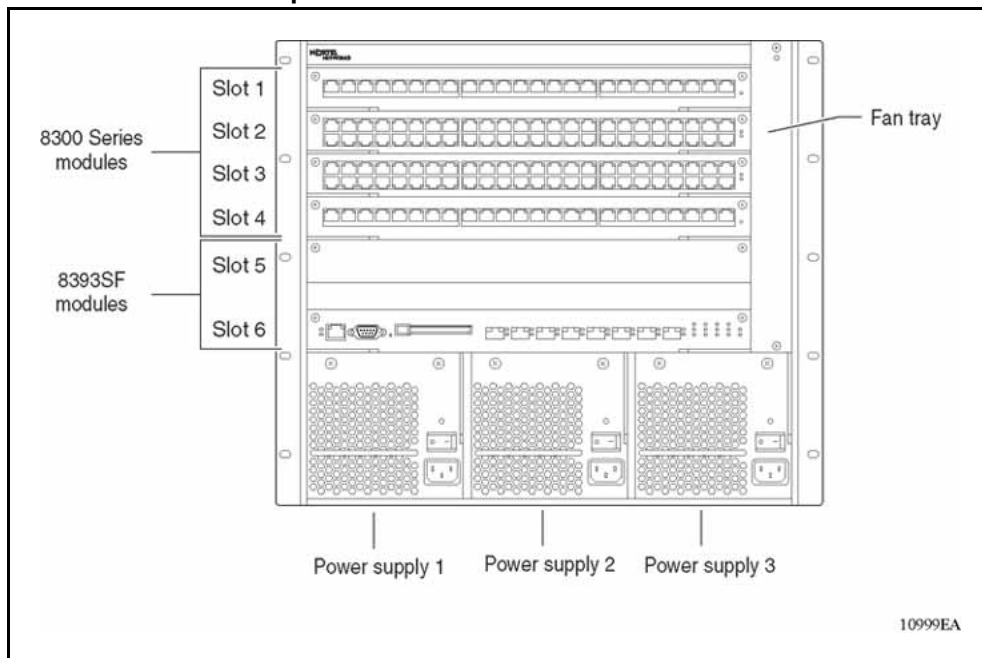
 **CAUTION**
Risk of equipment damage
Do not install Ethernet Routing Switch 8300 modules and Ethernet Routing Switch 8100 or 8600 modules within the same chassis. Ethernet Routing Switch 8300 Series software does not support mixed configurations. A mixed configuration can damage the modules and void your warranty.

Figure 2
8306 chassis and components



Power supplies

The Ethernet Routing Switch 8306 and 8310 chassis each provide three bays for either AC or DC power supplies.

The Ethernet Routing Switch 8306 and 8310 chassis supports the following AC power supplies:

- 8301AC
- 8302AC

The Ethernet Routing Switch 8306 and 8310 chassis supports the following DC power supplies:

- 8005DC
- 8005DI DC,

The PoE feature requires the following components:

- Ethernet Routing Switch 8306 or 8310 chassis with PoE backplane
- Ethernet Routing Switch 8301AC or 8302AC power supply
- Ethernet Routing Switch 8393SF/CPU or 8394SF/CPU module

and a choice of either of the following:

- Ethernet Routing Switch 8348TX-PWR module
- Ethernet Routing Switch 8348GTX-PWR module

Fan trays

[Table 1 "Number of fan trays installed for each chassis" \(page 27\)](#) lists the number of fan trays for the Ethernet Routing Switch 8310 and 8306 chassis.

Table 1
Number of fan trays installed for each chassis

Chassis	Fan tray
8310	Two fan trays; each fan tray contains eight high-capacity fans.
8306	One fan tray containing six high-capacity fans.

A control/monitor circuit board in the fan tray reports temperature and fan operating status to the network management software. A green light emitting diode (LED) indicates that the fan tray is operating correctly. For information about installing the fan, see *Nortel Ethernet Routing Switch 8300 Installation — Fan Tray*, (NN46200-302).

Site requirements

Ensure that the installation site meets the space, electrical, and environmental requirements listed in this section. For more information see, ["Technical specifications" \(page 55\)](#).

Space requirements

The installation site must provide sufficient free space around the chassis to ensure proper ventilation and access for servicing.

Use the following guidelines to plan front and rear access:

- The maintenance aisle in front of the frame requires a clearance of 76.2 centimeters (cm) (30 inches).
- The wiring aisle at the back of the frame requires a clearance of 61 cm (24 inches).

AC input electrical requirements

Refer to the power specifications for the power supply in [“Technical specifications” \(page 55\)](#).

For AC input power specifications for each of the modules, see *Nortel Ethernet Routing Switch 8300 Installation — Modules*, (NN46205-305).

Environmental requirements

The installation site must meet the following environmental requirements for 8300 chassis operation. For more information, see the following table.

Table 2
Environmental requirements

Altitude	Humidity	Temperature
0-10 000 feet (ft) (0-3 048 meters [m])	5%-85%, noncondensing	32°F-104°F (0°C-40°C), stable

Hardware requirements

This section includes information about the hardware shipped with the 8306 and 8310 chassis.

Shipment contents

In addition to the Ethernet Routing Switch 8310 or 8306 chassis, your shipping container contains several hardware accessories. Verify that the items in the shipping container match those on the shipment packing list.

The following table is a checklist of items included in the shipment container. For information about ordering replacement parts, see [“Part Numbers” \(page 51\)](#).

Table 3
Chassis shipping accessories: Ethernet Routing Switch 8310 and 8306 chassis

Check	Accessory	Use to
	Bracket kit containing the following: <ul style="list-style-type: none"> • two rack mounting brackets • bracket- mounting machine screws, each being 0.164 inches wide, 32 threads to the inch and 0.250 inches long <ul style="list-style-type: none"> — The 8310 chassis ships with 24 of these screws. — The 8306 chassis ships with 14 of these screws. 	Prepare the chassis for installation in an equipment rack.
	Screw package containing wafer head screws each being 0.190 inches wide, 32 threads to the inch and 0.75 inches long with flat nylon washers: <ul style="list-style-type: none"> • The 8310 chassis ships with 14 of each. • The 8306 chassis ships with 10 of each. 	Mount the chassis in an equipment rack.
	2 side cable management brackets	Manage network interface cables.
	Rubber footpads	Keep the chassis from slipping when mounting it on a flat surface.
	Console cable	Connect an optional management console to the chassis.

The following figures illustrate the items included in the chassis shipping container.

Figure 3
Items in the Ethernet Routing Switch 8310 chassis shipping container

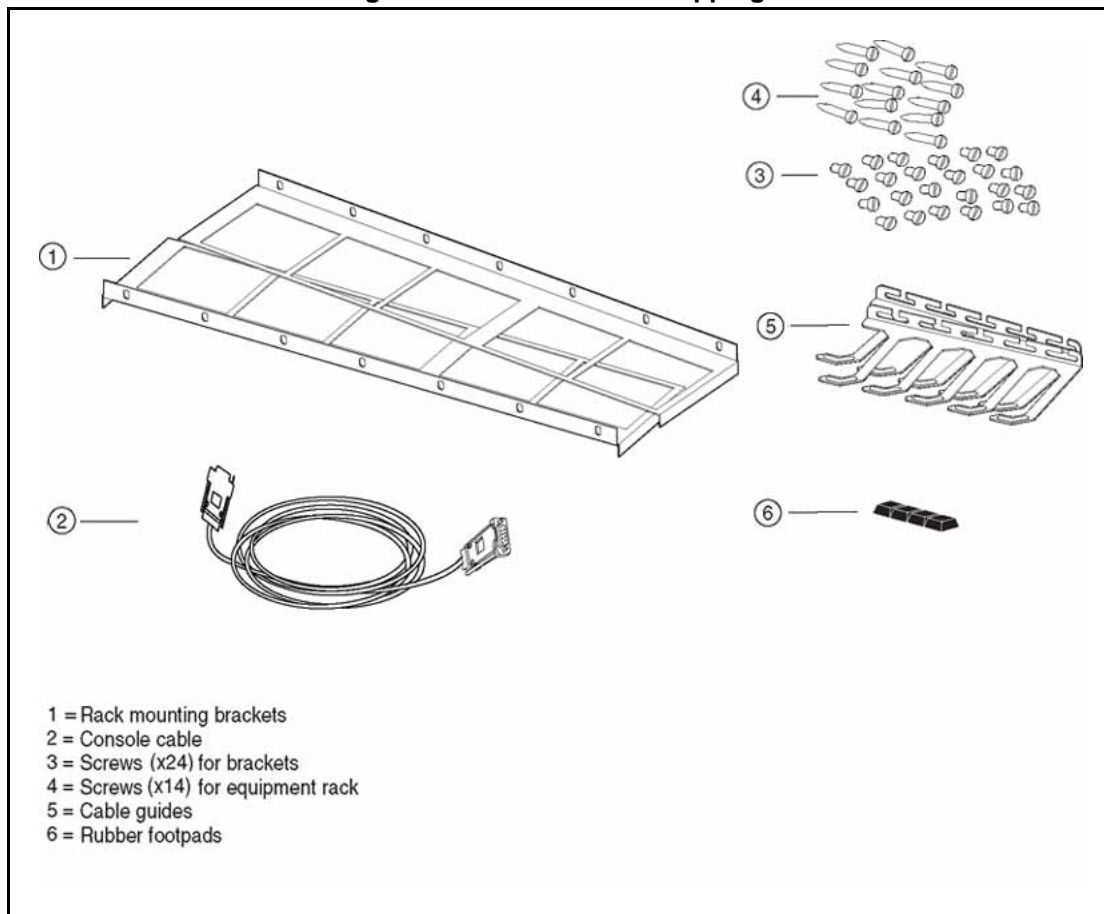
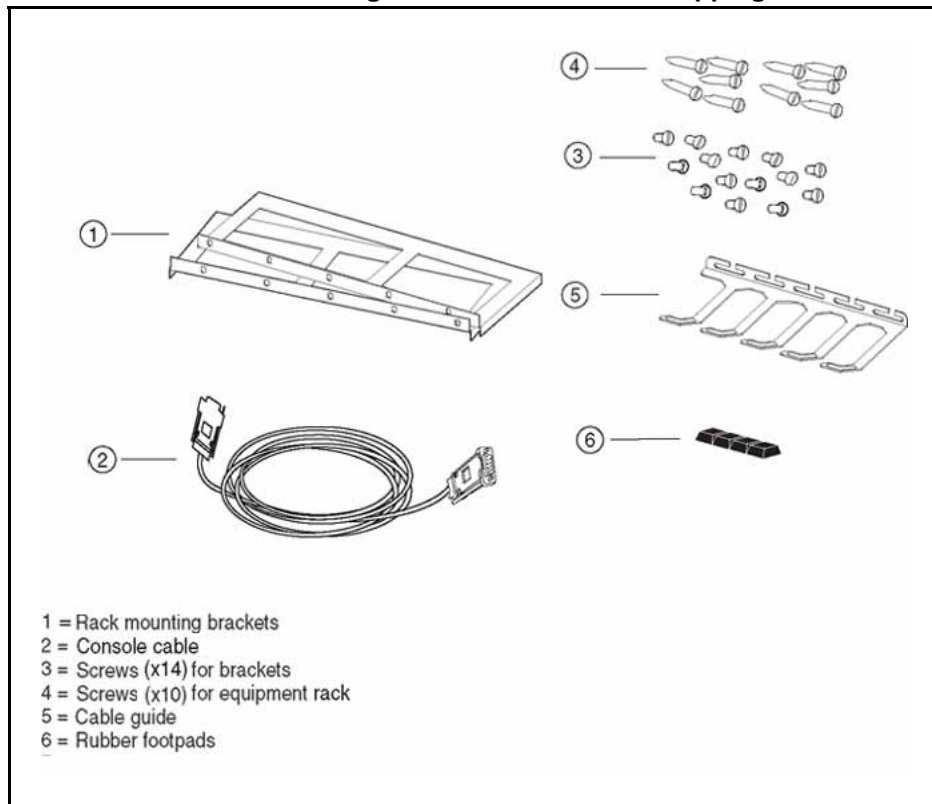


Figure 4
Items in the Ethernet Routing Switch 8306 chassis shipping container



Other equipment

In addition to the items that are included in the Ethernet Routing Switch 8310 and 8306 chassis accessory package you must also supply other items. Before you install the hardware, ensure that you have all the cables, tools, and other equipment that you need. The following sections describe the equipment you must supply:

- [“Management console” \(page 31\)](#)
- [“Cables” \(page 32\)](#)
- [“Mounting hardware for the 8310, 8306 chassis” \(page 32\)](#)

Management console

To configure startup options and to monitor the results of startup diagnostics, you can attach an optional PC, or laptop, VT-100 console or an equivalent, such as a PC terminal emulator.

Cables

Unless you specifically order them, the cables required for your network configuration are not included in the chassis accessory package. If you do not have the proper cables, contact your network administrator.

Mounting hardware for the 8310, 8306 chassis

To install the Ethernet Routing Switch 8310 or 8306 chassis in an equipment rack, you require a Phillips screwdriver and an equipment rack that meets the following specifications:

- heavy-duty steel construction
- Electronic Industries Association (EIA) standard hole-spacing
- width of 19 inches (in.) (48.26 centimeters [cm]) and depth of 24 in. (60.96 cm)

For information about chassis weight including components, see [“Procedure job aid: Chassis weight including components” \(page 36\)](#).

Successful installation verification

In a normal power-up sequence, the LEDs light as follows:

1. When power is applied to the Ethernet Routing Switch 8300 Series, the green LED on each power supply and fan tray turns on, and the Online LED for each module lights amber.
2. Each module initiates a self-test, during which the port and module LEDs display various patterns to indicate the progress of the self-test.
3. On successful completion of the self-test (within two or three minutes after power is applied for a fully loaded chassis), the module Online LED transitions from amber to green.

If the LEDs on the modules light in this sequence, your installation is successful. Contact your network administrator to verify that the Ethernet Routing Switch 8300 Series is now connected to the network.

If the LEDs do not light in this sequence, contact your local Nortel Technical Solutions Center.

Ethernet Routing Switch 8310 and 8306 chassis installation

This section describes how to install the Ethernet Routing Switch 8310 and 8306 chassis.



CAUTION ESD

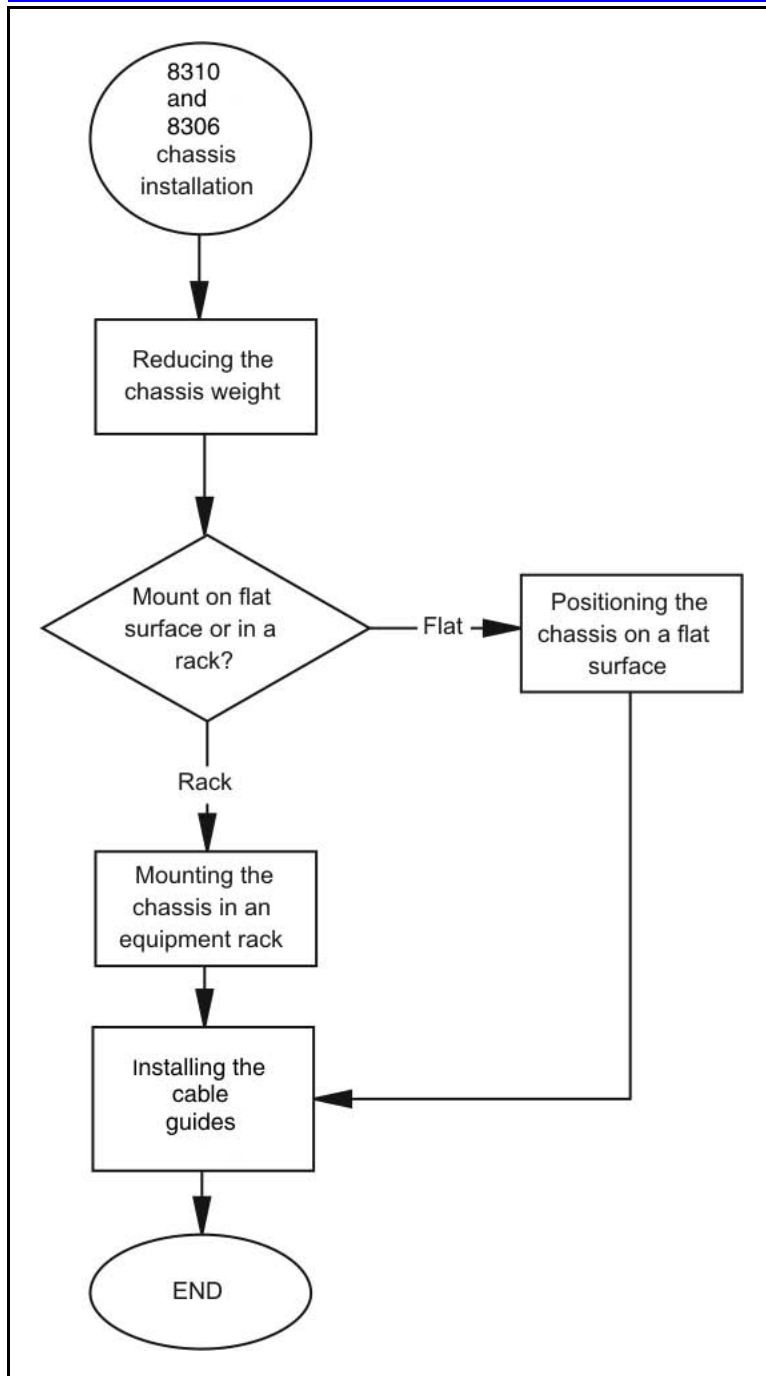
To prevent damage from electrostatic discharge, always wear an antistatic wrist strap connected to an electrostatic discharge (ESD) jack when performing maintenance on this product. Ensure that the wrist strap makes contact with your skin.

Prerequisites

- Inspect all items for shipping damage. If you detect damage, do not install the chassis. Call the Nortel Technical Solutions Center in your area.
- Verify that the items in the shipping container match those on the shipment packing list. Use [Table 3 "Chassis shipping accessories: Ethernet Routing Switch 8310 and 8306 chassis" \(page 29\)](#) as a checklist when verifying the contents of the shipping container.
- Verify that you have supplied all the other required hardware.
- Ensure that your installation site meets the physical, electrical, and environmental requirements described in ["Site requirements" \(page 27\)](#).

Chassis installation procedures

This task flow shows you the sequence of procedures you perform to install the chassis. To link to a procedure, click the procedure title in ["Navigation" \(page 34\)](#).



Navigation

- [“Chassis installation time requirements” \(page 35\)](#)
- [“Reducing the chassis weight” \(page 35\)](#)
- [“Installing the chassis on a flat surface” \(page 35\)](#)

- “Mounting the Ethernet Routing Switch 8310 and 8306 chassis in an equipment rack” (page 36)
- “Installing the cable guides” (page 40)

Chassis installation time requirements

The following table lists procedures you must use to install the Nortel Ethernet Routing Switch 8300 chassis and the estimated time you need to complete each procedure. Not all procedures are required for every Ethernet Routing Switch 8300 system.

Procedure	Time requirement
Positioning the chassis on a flat surface	5 minutes
Mounting the chassis in an equipment rack	9–17 minutes depending on the chassis
Installing the cable management brackets	5 minutes

Reducing the chassis weight

Reduce the chassis weight to make the chassis easier to lift, and thus you can reduce the risk of personal injury or equipment damage. This procedure requires approximately 5 minutes to complete.

Procedure steps

Step	Action
1	Remove the power supply filler panels. For more information, see <i>Nortel Ethernet Routing Switch 8300 Installation — AC Power Supply, NN46200-301</i> .
2	Remove the module filler panels. For more information, see <i>Nortel Ethernet Routing Switch 8300 Installation — Modules, NN46200-305</i> .
3	Remove the fan trays. For more information see <i>Nortel Ethernet Routing Switch 8300 Installation — Fan Tray, NN46200-302</i> .
--End--	

Installing the chassis on a flat surface

Mount the Ethernet Routing Switch 8310 and 8306 chassis on any flat, level surface, such as a tabletop or shelf, that can safely support the weight of the chassis, its components, and its attached cables to provide a convenient location for the safe operation of the switch.

Prerequisites

- Provide adequate space around the unit for access to cable connectors.
- Ensure that the surface can safely support the weight of the chassis, its components, and its attached cables. See “[Chassis installation time requirements](#)” (page 35).

Procedure steps

Step	Action
1	Set the switch on the flat surface and check for proper ventilation. Allow at least 2 inches (5.1 cm) on each side for proper ventilation and 5 inches (12.7 cm) at the front for power cord clearance.
2	Attach rubber feet to each marked location on the bottom of the chassis. The rubber feet are optional but recommended to keep the unit from slipping.
3	Attach all devices to the ports.
--End--	

Procedure job aid: Chassis weight including components

The following table shows the weight of each chassis including the components.

Chassis	Maximum weight (chassis and components)
8310	225 pounds (lb) (102 kilograms [kg])
8306	140 lb (63 kg)

Mounting the Ethernet Routing Switch 8310 and 8306 chassis in an equipment rack

Install the Ethernet Routing Switch 8310 and 8306 chassis in a standard 19-inch equipment rack to provide a convenient location for the safe operation of the switch.

ATTENTION

If you are mounting the chassis in a 23-inch equipment rack, see the rack manufacturer's 23-inch-to-19-inch rack adapter installation instructions.

Prerequisites

- To mount the chassis in an equipment rack, you need the following equipment:
 - standard 19 in. (48.2 cm) equipment rack
 - two rack mounting brackets
 - 14 Machine screws for the mounting brackets on the 8306 chassis (22 Machine screws for the brackets on the 8310 chassis)
 - 10 WAFER head screws and washers for the 8306 chassis (14 WAFER head screws and washers for the 8310 chassis)
 - a Phillips screwdriver

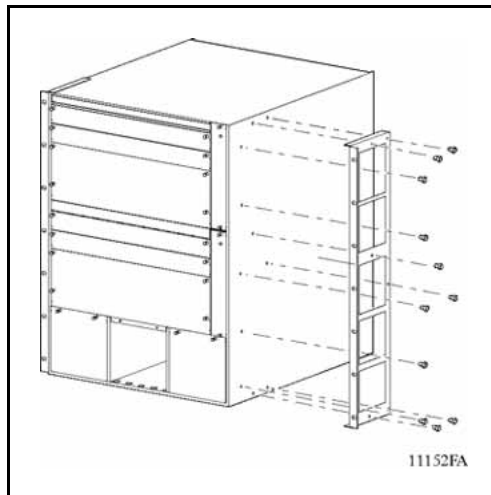


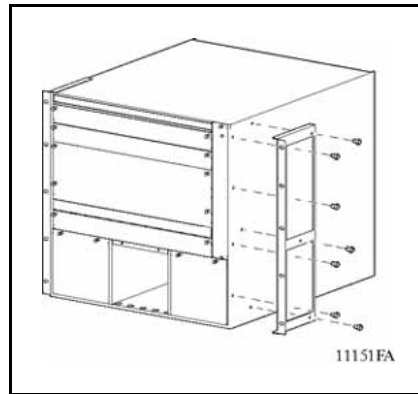
CAUTION

See “[Procedure job aid: Maximum number of chassis installed in 7-foot rack](#)” (page 40) for the maximum number of chassis that you can install in a 7-foot rack.

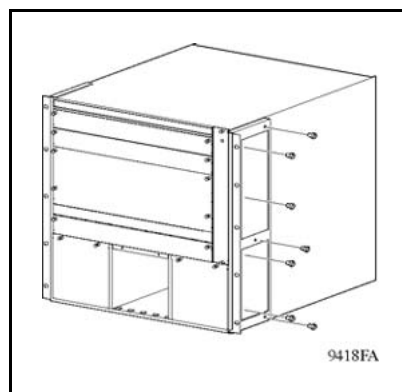
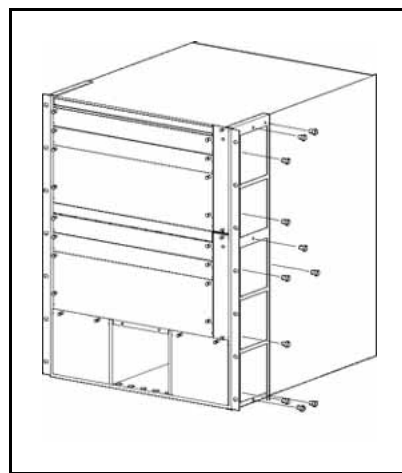
Procedure steps

Step	Action
1	<p>Hold each rack-mounting bracket against one side of the chassis. Make sure that the attachment holes in the bracket match the holes in the chassis.</p> <p>Each bracket fits only one side of the chassis. The brackets are labeled R (right) and L (left). If the mounting holes do not line up between a bracket and the chassis, try that bracket on the other side of the chassis.</p>





- 2** Insert and tighten the supplied flat-head screws to fasten each bracket to the chassis.

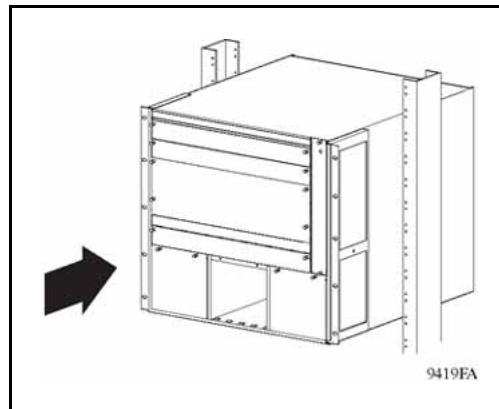
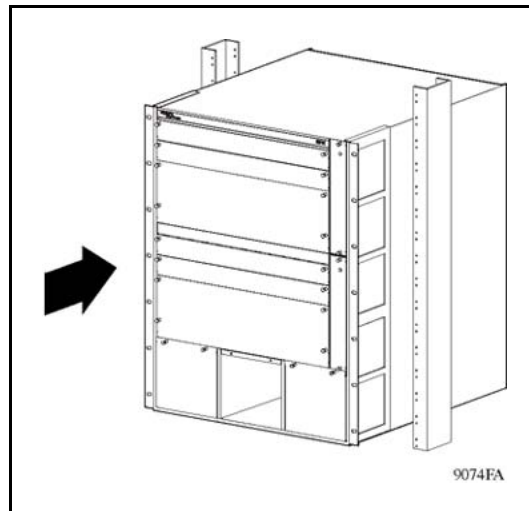


- 3** Measure the appropriate number of rack units of free vertical space inside the rack and mark the spot.
- The following table shows the number of rack units you can allocate for each chassis.

Chassis	Rack units	Inches
8310	13.2	23.06
8306	9.7	16.9

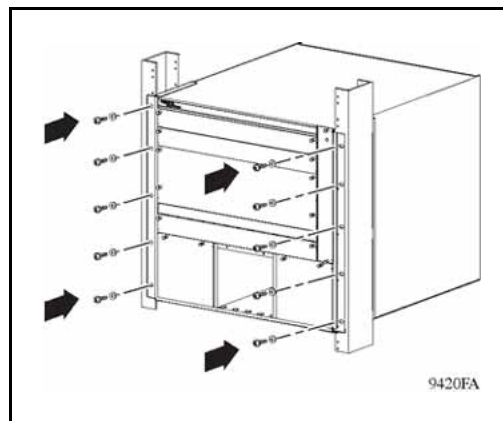
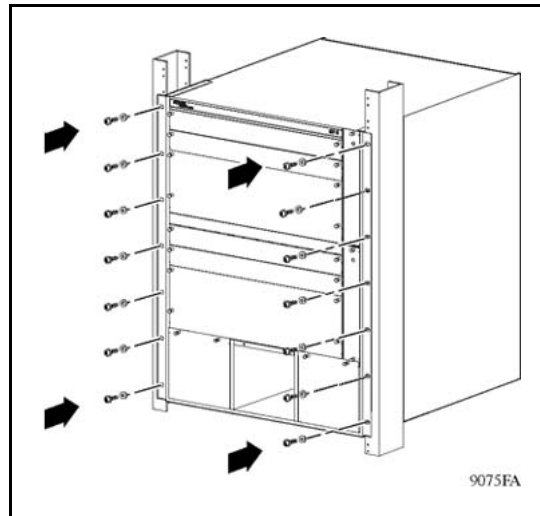
- 4 Holding the chassis in position, align the flanged end of each mounting rail with two holes on each side of the vertical rack support.

It is easier to complete this step with two people. Make sure that the hole pairs on either side of the vertical support match horizontally.



- 5 Insert and tighten the rack-mounting screws with a Phillips screwdriver.

Do not overtighten the rack-mounting screws.



--End--

Procedure job aid: Maximum number of chassis installed in 7-foot rack

The following table shows the maximum number of chassis that you can install in a 7-foot rack.

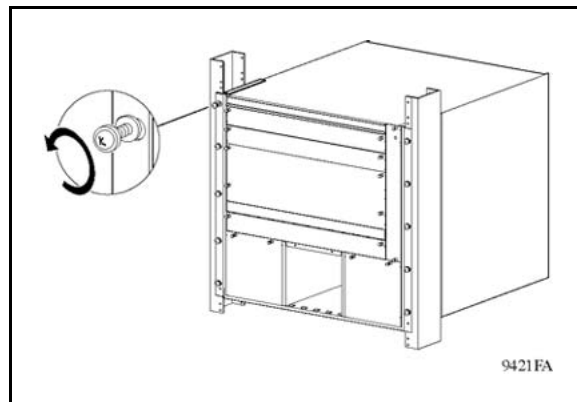
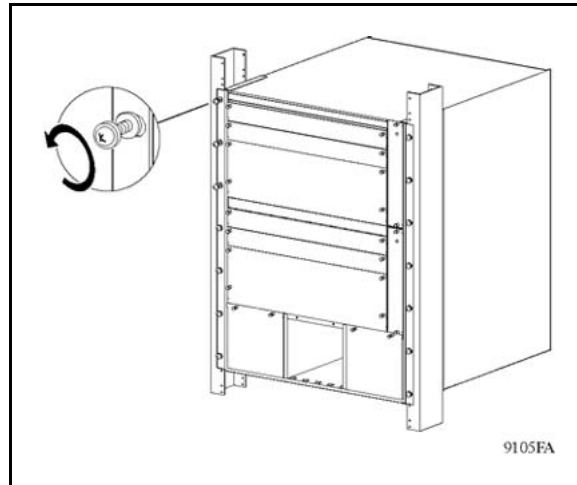
Chassis	Maximum number of chassis installed in 7-foot rack
8310	3
8306	4

Installing the cable guides

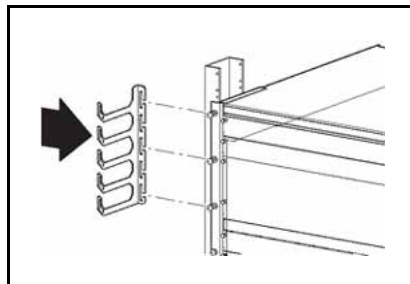
Install the cable guides to keep cable clusters fastened and out of the way, but still accessible for maintenance.

Procedure steps

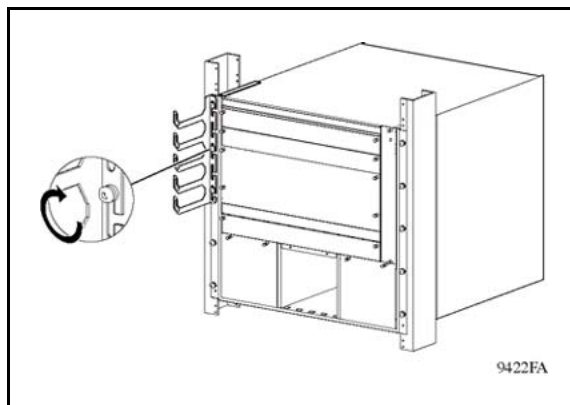
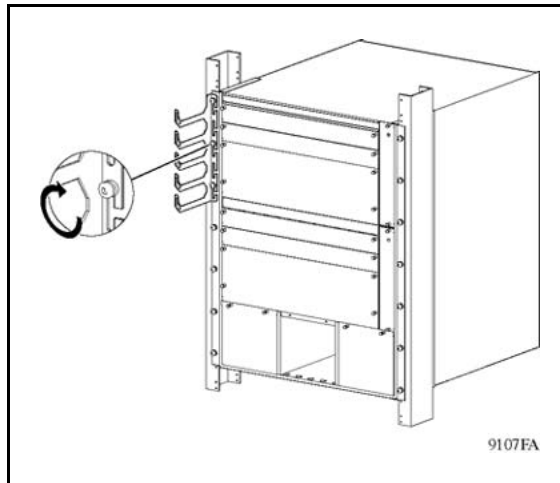
Step	Action
1	Loosen, but do not remove, the rack-mounting screws needed to install one cable guide.



2	Slide the guide onto the loosened screws.
---	---



3	Tighten the screws to secure the guide to the chassis.
---	--



--End--

Switch operations

This chapter describes some of the procedures that you perform to operate the Ethernet Routing Switch 8300 and provides troubleshooting information.

Navigation

- [“Powering on DC power supplies” \(page 43\)](#)
- [“Powering on AC power supplies” \(page 44\)](#)
- [“Resetting the switch” \(page 45\)](#)
- [“Installing removable flash memory cards” \(page 46\)](#)
- [“Removing removable flash memory cards” \(page 47\)](#)
- [“Protecting memory card files” \(page 48\)](#)

Powering on DC power supplies

Power on the DC power supplies to provide power to the switch.

Prerequisites

- Ensure that the power supply is seated properly.

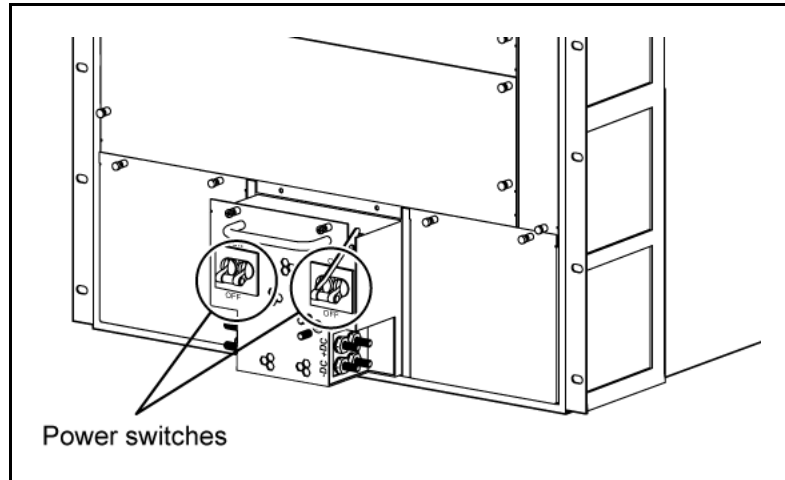
Procedure steps

Step	Action
1	On each DC power supply, turn the power switch to the On position.

ATTENTION

When you first install a chassis that contains two or three power supplies, you must turn on two of the power supply units simultaneously. If you wait longer to turn on the second power supply, one of the power supplies could shut down. To correct this condition, turn off both power supplies, wait at least 30 seconds, and then turn on both power supplies again simultaneously.

For more information about the power switch locations, see the following figure.



- 2 Verify that the power output LED for each power supply lights green.
- 3 Verify that the power supply status LEDs and the fan LED on the 8393SF/CPU or 8394SF/CPU module light green.
After you turn on the switch, each module automatically initiates a diagnostic test to verify proper module function. See [“Successful installation verification”](#) (page 32).
- 4 Verify that air is flowing from the cooling fans out through the vents of the chassis.
- 5 If the power supply LED remains off, or if you cannot feel air flow from the chassis vents, turn the DC power supplies off, and then turn them on again.
- 6 If the problem persists, contact the Nortel Technical Solutions Center.

--End--

Powering on AC power supplies

Power on the AC power supplies to provide power to the switch.

The number of supported Power over Ethernet (PoE) modules depends on the power supply rating (110 volts [V]AC nominal or 220 VAC nominal), the power supply model, and the number of power supplies. For more information, see *Ethernet Routing Switch 8300 Planning — Power Considerations*, (NN46200-511).

Prerequisites

- Ensure that the power supply is seated properly.
- Verify that the AC power cords are connected to the power supplies and connected to AC power outlets.

Procedure steps

Step	Action
1	On each AC power supply, turn the power switch to the on position.
	<p>ATTENTION</p> <p>When you first install a chassis that contains two or three power supplies, you must turn on two of the power supply units simultaneously. If you wait longer to turn on the second power supply, one of the power supplies could shut down. To correct this condition, turn off both power supplies, wait at least 30 seconds, and then turn on both power supplies again simultaneously.</p>
2	Verify that the power LED on each power supply lights green.
3	Verify that the power supply status LEDs and the fan LED on the 8393SF/CPU or 8394SF/CPU module light green.
	After you turn on the switch, each module automatically initiates a diagnostic test to verify proper module function. See “Successful installation verification” (page 32).
4	Verify that air is flowing from the cooling fans out through the vents of the chassis.
5	If the power supply LED remains off, or if you cannot feel air flow from the chassis vents, turn the DC power supplies off, and then turn them on again.
6	If the problem persists, contact the Nortel Technical Solutions Center.
--End--	

Resetting the switch

Reset the switch to reboot the switch hardware without cycling power.

Procedure steps

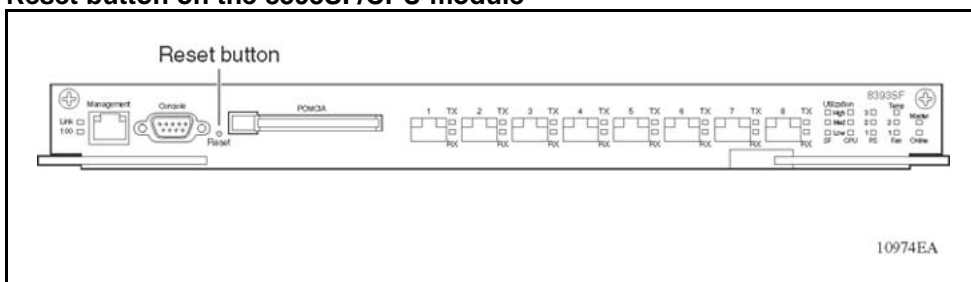
Action

To *warm-start* the Ethernet Routing Switch 8300 Series (no diagnostic tests are run), press the Reset button for less than 5 seconds.

To press the Reset button, insert a small pointed object (for example, an unbent paper clip) into the Reset button hole.

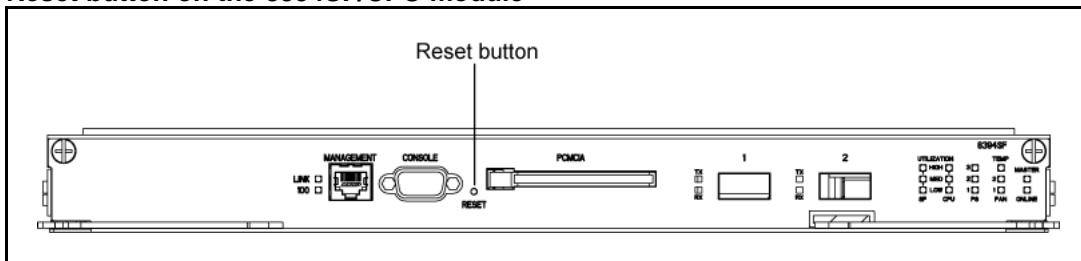
The following figure shows the location of the Reset button on the Ethernet Routing Switch 8393SF/CPU module.

Figure 5
Reset button on the 8393SF/CPU module



The following figure shows the location of the Reset button on the Ethernet Routing Switch 8394SF/CPU module.

Figure 6
Reset button on the 8394SF/CPU module

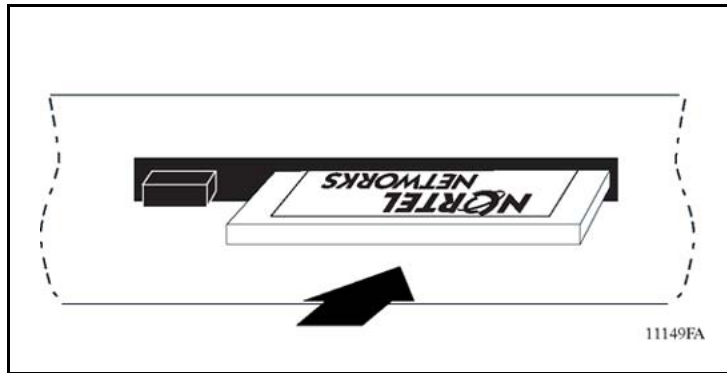


Installing removable flash memory cards

Install a removable flash memory card in an Ethernet Routing Switch 8393SF/CPU module to provide alternative storage media.

Procedure steps

Step	Action
1	Position the card with the label facing up and the insert arrow pointing toward the card receptacle.



- 2 Insert the card into the card receptacle.
- 3 Gently push the card in until it fits snugly in place.

--End--

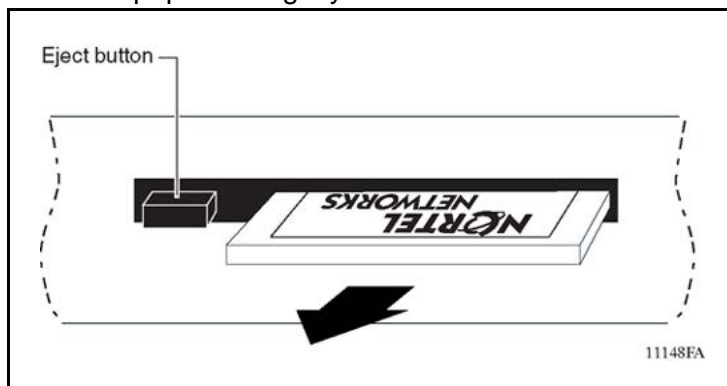
Removing removable flash memory cards

Remove a removable flash memory card from the Ethernet Routing Switch 8393SF/CPU or 8394SF/CPU module to stop using it as a storage medium.

Procedure steps

Step	Action
1	Press the eject button to the side of the memory card receptacle on the Ethernet Routing Switch 8393SF/CPU or 8394SF/CPU module.

The card pops out slightly.



- 2 Pull the flash memory card out of the card receptacle.

--End--

Protecting memory card files

Write-protect the memory card for backup purposes after you successfully load the configuration file and save your configuration because Nortel ships each memory card with the read-write protect switch in the unprotected position.

Typically, you do not operate the switch with a write-protected memory card. Make a copy of your configuration on another memory card, write-protect that card, and store it in a safe place. If you do not have a second memory card, you can copy your configuration to a File Transfer Protocol (FTP) or Trivial FTP (TFTP) server.

Prerequisites

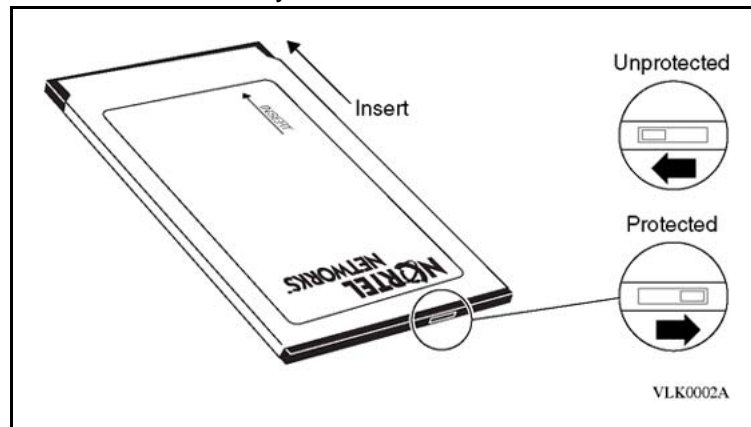
- Remove the card from the Ethernet Routing Switch 8393SF/CPU or 8394SF/CPU module before changing the read-write protection.

ATTENTION

You must remove the card from the Ethernet Routing Switch 8393SF/CPU or 8394SF/CPU module before changing the read-write protection. Failure to remove the card can result in improper write protection.

Procedure steps

Step	Action
1	Remove the memory card from the Ethernet Routing Switch 8393SF/CPU or 8394SF/CPU module.
2	Locate the read-write protect switch on the edge opposite the arrow on the memory card.



- | | |
|---|---------------------------------------|
| 3 | Adjust the read-write protect switch. |
|---|---------------------------------------|

- 4 Reinsert the memory card into the card receptacle.

--End--

Part Numbers

This chapter provides a list of Nortel Ethernet Routing Switch 8300 hardware and part numbers.

The following table lists Ethernet Routing Switch 8300 hardware and part numbers.

Table 4
Ethernet Routing Switch 8300 hardware part numbers

Part number	Item	Additional details
DS1402007-E5	8310 10 slot Power over Ethernet (PoE) chassis	Includes chassis, dual backplane, two fan trays, RS232 cable the for the management console, rack mount kit, and cable guide kit. Requires at least one 83XX power supply, and up to three power supplies are supported.
DS1402008-E5	8306 6 slot PoE chassis	Includes chassis, dual backplane, two fan trays, RS232 cable the for the management console, rack mount kit, and cable guide kit. Requires at least one 83XX power supply, and up to three power supplies are supported.
DS1404076-E5	Ethernet Routing Switch 8393SF CPU/Switch Fabric module with 8 Gigabit Ethernet SFP slots	Includes Personal Computer Memory Card International Association (PCMCIA) flash memory card. One switch fabric module is required for each Ethernet Routing Switch 8300 chassis.

Table 4
Ethernet Routing Switch 8300 hardware part numbers (cont'd.)

Part number	Item	Additional details
DS1404099-E5	Ethernet Routing Switch 8394SF CPU/Switch Fabric module with 2 - 10 Gigabit Ethernet XFP slots	Includes PCMCIA flash memory card. One switch fabric module is required for each Ethernet Routing Switch 8300 chassis.
DS1404077-E5	Ethernet Routing Switch 8348TX module. 48 port autosensing 10BASE-T/100BASE-TX Ethernet interface module	
DS1404078	Ethernet Routing Switch 8348TX-PWR module, 48 10BASE-T/100BASE-TX ports Ethernet interface module	
DS1404079-E5	Ethernet Routing Switch 8324GTX module, 24 port autonegotiating (10BASE-T, 100BASE-TX, or 1000BASE-T) Ethernet interface module	
DS1404098-E5	Ethernet Routing Switch 8324FX. 24 Port 100Base-FX Ethernet interface module	
DS1404093-E5	Ethernet Routing Switch 8348GTX module. 48 port Autosensing 10Base-T/100Base-TX/1000Base-T Ethernet interface module	
DS1404094-E5	Ethernet Routing Switch 8348GTX-PWR module, 48 port Autonegotiating 10BASE-T /100BASE-TX / 1000BASE-T, Ethernet interface module	
DS1404095-E5	Ethernet Routing Switch 8348GB module. 48 port SFP interface module	
DS1404100-E6	Ethernet Routing Switch 8308XL module 8 port 10 GBase XFP Ethernet interface module	The 10GBASE-R ports on this module are LAN-capable and operate in full-duplex mode.

Table 4
Ethernet Routing Switch 8300 hardware part numbers (cont'd.)

Part number	Item	Additional details
DS1405A14-E5	8301AC 100-240 volts (V) AC Power Supply. At least one power supply is required for each 83xx chassis.	Provides up to 800W of PoE. Does not include a power cord.
DS1405x16-E5	8302AC 100-240 V AC Power Supply. At least one power supply is required for each 83xx chassis.	Provides up to 400W of PoE. Does not include a power cord.
DS1405011-E5	8005DC 48-60 V DC Power Supply. At least one power supply is required for each 83xx chassis.	
DS1405017-E6	8005DI DC 40-70 V DC Power Supply. At least one power supply is required for each 83xx chassis.	

Technical specifications

This chapter lists the physical, environmental, and electrical specifications for the Ethernet Routing Switch 8310 and 8306 chassis and the available power supplies.

Navigation

- “Ethernet Routing Switch 8310 chassis specifications” (page 55)
- “Ethernet Routing Switch 8306 chassis specifications” (page 57)
- “Ethernet Routing Switch 8301 AC power supply specifications” (page 59)
- “Ethernet Routing Switch 8302 AC power supply specifications” (page 60)
- “Ethernet Routing Switch 8005DC power supply specifications” (page 61)
- “Ethernet Routing Switch 8005DI DC power supply specifications” (page 62)

Ethernet Routing Switch 8310 chassis specifications

The following sections describe the specifications of the Ethernet Routing Switch 8310 chassis.

Physical specifications

The following table lists the physical specifications of the Ethernet Routing Switch 8310 chassis.

Table 5
Ethernet Routing Switch 8310 chassis physical specifications

Physical specifications	
Height:	22.9 inches (in.) (58.2 centimeters [cm])
Width:	17.5 in. (44.5 cm)

Table 5
Ethernet Routing Switch 8310 chassis physical specifications (cont'd.)

Physical specifications	
Depth:	19.9 in. (50.5 cm)
Weight (empty):	85 pounds (lb) (39 kilograms [kg])
Weight (fully loaded):	225 lb (102 kg)
Cooling system:	
Fan trays:	2 per chassis
Fans:	8 per fan tray
Thermal sensors:	1 per fan tray

Environmental specifications

The following table lists the environmental specifications of the Ethernet Routing Switch 8310 chassis.

Table 6
Ethernet Routing Switch 8310 chassis environmental specifications

Environmental specifications	
Operating temperature:	0 degrees Celcius(°C) to 40°C (32 degrees Fahrenheit [°F] to 104°F)
Storage temperature:	-25°C to 70°C (-13°F to 158°F)
Operating humidity:	85% maximum relative humidity, noncondensing
Storage humidity:	95% maximum relative humidity, noncondensing
Operating altitude:	3 048 meters (m) (10 000feet [ft]) maximum
Storage altitude:	3 048 m (10 000 ft) maximum
Free fall/drop:	ISO 4180-s, NISTA 1A
Vibration:	IEC 68-2-6/34
Shock/bump:	IEC 68-2-27-29

International regulatory requirements

The following table lists the international regulatory requirements of the Ethernet Routing Switch 8310 chassis.

Table 7
Ethernet Routing Switch 8310 international regulatory requirements

International regulatory requirements	
Electromagnetic emissions regulatory requirements:	
Global basis for certification:	CISPR 22-1997 Class A

Table 7
Ethernet Routing Switch 8310 international regulatory requirements (cont'd.)

International regulatory requirements	
U.S.:	FCC CFR47 Part 15, Subpart B, Class A
Canada:	ICES-003, Issue-2, Class A
Europe:	EN 55022-1998 Class A; EN 61000-3-2/A14, EN 61000-3-3 (CE Marking)
Australia/New Zealand:	AS/NZS 3548:1995, Class A
Japan:	VCCI-V3/97.04, Class A
Taiwan:	CNS 13438, Class A
Electromagnetic immunity regulatory requirements:	
Global basis for certification:	CISPR 24:1997
Europe:	EN 55024:1998
Safety regulatory requirements:	
Global basis for certification:	IEC 60950 current edition with all CB member deviations
U.S.:	UL60950
Canada:	CSA 22.2 No. 60950
Europe:	EN60950 (CE Marking)
Australia/New Zealand:	AS/NZS 3260
Mexico:	NOM-019-SCFI-1998

Ethernet Routing Switch 8306 chassis specifications

The following sections describe the specifications of the Ethernet Routing Switch 8306 chassis.

Physical specifications

The following table lists the physical specifications of the Ethernet Routing Switch 8306 chassis.

Table 8
Ethernet Routing Switch 8306 physical specifications

Physical specifications	
Height:	15.8 in. (40.1 cm)
Width:	17.5 in. (44.5 cm)
Depth:	19.9 in. (50.5 cm)
Weight (empty):	49 lb (22 kg)

Table 8
Ethernet Routing Switch 8306 physical specifications (cont'd.)

Physical specifications	
Weight (fully loaded):	140 lb (63 kg)
Cooling system:	
Fan tray:	1 per chassis
Fans:	6 per fan tray
Thermal sensors:	1 per fan tray

Environmental specifications

The following table lists the environmental specifications of the Ethernet Routing Switch 8306 chassis.

Table 9
Ethernet Routing Switch 8306 environmental specifications

Environmental specifications	
Operating temperature:	0°C to 40°C (32°F to 104°F)
Storage temperature:	-25°C to 70°C (-13°F to 158°F)
Operating humidity:	85% maximum relative humidity, noncondensing
Storage humidity:	95% maximum relative humidity, noncondensing
Operating altitude:	3048 m (10,000 ft) maximum
Storage altitude:	3048 m (10,000 ft) maximum
Free fall/drop:	ISO 4180-s, NSTA 1A
Vibration:	IEC 68-2-6/34
Shock/bump:	IEC 68-2-27-29

International regulatory requirements

The following table lists the international regulatory requirements of the Ethernet Routing Switch 8306 chassis.

Table 10
Ethernet Routing Switch 8306 international regulatory requirements

International regulatory requirements	
Electromagnetic emissions regulatory requirements:	
Global basis for certification:	CISPR 22-1997 Class A
U.S.:	FCC CFR47 Part 15, Subpart B, Class A
Canada:	ICES-003, Issue-2, Class A

Table 10
Ethernet Routing Switch 8306 international regulatory requirements (cont'd.)

International regulatory requirements	
Europe:	EN 55022-1998 Class A; EN 61000-3-2/A14, EN 61000-3-3 (CE Marking)
Australia/New Zealand:	AS/NZS 3548:1995, Class A
Japan:	VCCI-V3/97.04, Class A
Taiwan:	CNS 13438, Class A
Electromagnetic immunity regulatory requirements:	
Global basis for certification:	CISPR 24:1997
Europe:	EN 55024:1998
Safety regulatory requirements:	
Global basis for certification:	IEC 60950 current edition with all CB member deviations
U.S.:	UL60950
Canada:	CSA 22.2 No. 60950
Europe:	EN60950 (CE Marking)
Australia/New Zealand:	AS/NZS 3260
Mexico:	NOM-019-SCFI-1998

Ethernet Routing Switch 8301 AC power supply specifications

The following table lists the power specifications for the 8301 AC power supply.

Table 11
Ethernet Routing Switch 8301 AC power specifications

AC Input Power Ratings		
Input voltage range (nominal):	100-120 VAC	200-240 VAC
Input current (nominal):	16 amperes (A)	12 A
Frequency range (nominal):	50-60 Hertz (Hz)	50-60 Hz
Input VA	1600 volt-amperes VA	2234 VA
Input power consumption:	1584 watts (W)	2212 W
Heat dissipation (thermal/output):	1515 British Thermal Units (BTU)/hour (hr)	1508 BTU/hr
Hold-up time:	20 milliseconds (ms)	20 ms

Table 11
Ethernet Routing Switch 8301 AC power specifications (cont'd.)

DC Output Power Ratings		
Max. output power (combined):	1140 W (1050 W + 90 W fans)	1770 W (1680 W + 90 W fans)
Non-PoE:	3.3 VDC @ 150 A	3.3 VDC @ 150 A
	12 VDC @ 65 A	12 VDC @ 65 A
PoE:	50 VDC @ 18 A	50 VDC @ 18 A
Fans:	12 volts (V)DC @ 7.5 A	12VDC @ 7.5 A

Note the following information:

- The maximum steady-state output power is limited to a total of 1140 W for any combination of output voltages/currents at low-line 100-120 VAC nominal input voltage conditions.
- The maximum steady-state output power is limited to a total of 690 W for any combination of output voltages/currents, excluding the 50 VDC source at low-line 100-120 VAC nominal input voltage conditions. This limitation is required to ensure that there is sufficient PoE power or 450 W total at this input voltage condition.
- The maximum steady-state output power is limited to a total of 870 W for any combination of output voltages/currents, excluding the 50 VDC source at high-line 200-240 VAC nominal input voltage conditions. This limitation is required to ensure maximum PoE power or 900 W total for the 50 VDC source at this input voltage condition.
- To obtain the full output power rating of 1770 W, you must connect the power supply to a nominal (200-240 VAC) input voltage source

Ethernet Routing Switch 8302 AC power supply specifications

The following table lists the power specifications for the 8302 AC power supply.

Table 12
Ethernet Routing Switch 8302 AC power specifications

AC Input Power Ratings		
Input voltage range (nominal):	100-120 VAC	200-240 VAC
Input current (nominal):	12 A	9 A
Frequency range (nominal):	50-60 Hz	50-60 Hz
Input VA	1192 VA	1768 VA
Input power consumption:	1180 W	1750 W

Table 12
Ethernet Routing Switch 8302 AC power specifications (cont'd.)

Heat dissipation (thermal/output):	1126 BTU/hr	1195 BTU/hr
Hold-up time:	20 ms	20 ms
DC Output Power Ratings		
Max. output power (combined):	850 W (760 W + 90 W fans)	1400 W (1310 W + 90 W fans)
Non-PoE:	3.3 VDC @ 150 A 12 VDC @ 65 A	3.3 VDC @ 150 A 12 VDC @ 65 A
PoE:	50 VDC @ 18 A	50 VDC @ 18 A
Fans:	12 VDC @ 7.5 A	12VDC @ 7.5 A

Note the following information:

- The maximum steady-state output power is limited to a total of 850 W for any combination of output voltages/currents at low-line 100-120 VAC nominal input voltage conditions.
- The maximum steady-state output power is limited to a total of 625 W for any combination of output voltages/currents, excluding the 50 VDC source at low-line 100-120VAC nominal input voltage conditions. This limitation is required to ensure that there is sufficient PoE power or 225 W total at this input voltage condition.
- The maximum steady-state output power is limited to a total of 950 W for any combination of output voltages/currents, excluding the 50 VDC source at high-line 200-240VAC nominal input voltage conditions. This limitation is required to ensure maximum PoE power or 450 W total for the 50 VDC source at this input voltage condition.
- To obtain the full output power rating of 1400 W, you must connect the power supply to a nominal (200-240VAC) input voltage source.

Ethernet Routing Switch 8005DC power supply specifications

This section provides power ratings for the 8005DC power supply.

The following table lists the DC input power specifications.

Parameter	Specifications
Input voltage	-48Vdc/-60Vdc
Input current (nominal)	42 A /34 A
Input VA (maximum)	1.95 kVA
Input power consumption	1950 W
Heat dissipation (thermal/output)	1666 Btu/hr

The following table lists the DC output power specifications.

Parameter	Specifications
Output power (maximum)	1462 W (1372 W + 90 W fans)
Modules	3.3 V @ 150 A 12 V @ 72 A
Fans	12 VDC @ 7.5 A/ 24 A peak
Mean time before failure (MTBF)	108 803 hr (Bellcore TR-332 standard)

Ethernet Routing Switch 8005DI DC power supply specifications

This section provides power ratings for the 8005DI DC power supply.

The following table lists the DC input power specifications.

Parameter	Specifications
Input voltage	-40Vdc/-75Vdc
Input current	48.75A /32.5A
Input VA (maximum)	1.95 kVA
Input power consumption	1950 W
Heat dissipation (thermal/output)	1666 Btu/hr

The following table lists the DC output power specifications.

Parameter	Specifications
Output power (maximum)	1462 W continuous, 1660 W peak with forced air cooling
Modules	3.3 V @ 150 A 12 V @ 72 A
Fans	12 VDC @ 7.5 A/ 24 A peak
Mean time before failure (MTBF)	108 803 hr (Bellcore TR-332 standard)

Translations of safety messages

Class A device caution statement



CAUTION

This device is a Class A product. Operation of this equipment in a residential area is likely to cause harmful interference, in which case users are required to take appropriate measures necessary to correct the interference at their own expense.



CAUTION ATTENTION

Le périphérique est un produit de Classe A. Le fonctionnement de cet équipement dans une zone résidentielle risque de causer des interférences nuisibles, auquel cas l'utilisateur devra y remédier à ses propres frais.



CAUTION ACHTUNG

Dies ist ein Gerät der Klasse A. Bei Einsatz des Geräts in Wohngebieten kann es Störungen des Radio- und Fernsehempfangs verursachen. In diesem Fall muss der Benutzer alle notwendigen Maßnahmen ergreifen, die möglicherweise nötig sind, um die Störungen auf eigene Rechnung zu beheben.



CAUTION PRECAUCIÓN

Este es un producto clase A. El uso de este equipo en áreas residenciales puede causar interferencias nocivas, en cuyo caso, se requerirá que los usuarios tomen cualquier medida necesaria para corregir la interferencia por cuenta propia.



CAUTION CUIDADO

Este dispositivo é um produto Classe A. Operar este equipamento em uma área residencial provavelmente causará interferência prejudicial; neste caso, espera-se que os usuários tomem as medidas necessárias para corrigir a interferência por sua própria conta.



**CAUTION
ATTENZIONE**

Questo dispositivo è un prodotto di Classe A. Il funzionamento di questo apparecchio in aree residenziali potrebbe causare interferenze dannose, nel cui caso agli utenti verrà richiesto di adottare tutte le misure necessarie per porre rimedio alle interferenze a proprie spese.

Electrostatic discharge caution statement



**CAUTION
ESD**

To prevent damage from electrostatic discharge, always wear an antistatic wrist strap connected to an electrostatic discharge (ESD) jack when performing maintenance on this product. Ensure that the wrist strap makes contact with your skin.



**CAUTION
ATTENTION ESD (décharge électrostatique)**

Pour prévenir tout dommage dû à une décharge électrostatique, vous devez toujours porter un bracelet antistatique connecté à une prise pour décharge électrostatique (ESD) lors de l'exécution d'opérations de maintenance sur ce produit. Assurez-vous que le bracelet antistatique est en contact avec votre peau.



**CAUTION
ACHTUNG ESD**

Um Schäden durch elektrostatische Entladung zu verhindern, tragen Sie bei der Instandhaltung dieses Produkts immer ein antistatisches Band am Handgelenk, das mit einer ESD-Buchse verbunden ist. Stellen Sie sicher, dass das Band am Handgelenk Kontakt zur Haut hat.



**CAUTION
PRECAUCIÓN ESD (Descarga electrostática)**

Para prevenir el daño producido por una descarga electrostática, use siempre una pulsera antiestática conectada a un enchufe de descarga electrostática (ESD) al realizar el mantenimiento de este producto. Asegúrese de que la pulsera antiestática haga contacto con su piel.



**CAUTION
CUIDADO ESD**

Para evitar danos com descarga eletrostática, sempre use uma pulseira antiestática que esteja conectada a uma tomada de descarga eletrostática (ESD) quando estiver realizando a manutenção deste produto. Certifique-se de que a pulseira esteja em contato com sua pele.



CAUTION
ATTENZIONE ESD

Per evitare danni derivanti da scariche elettrostatiche, indossare sempre un polsino antistatico collegato a una presa di scarico elettrostatico (ESD) durante la manutenzione del prodotto. Accertarsi che il polsino sia a contatto con la pelle.

Nortel Ethernet Routing Switch 8300

Installation — Chassis

Copyright © 2008 Nortel Networks
All Rights Reserved.

Printed in Canada and the United States of America
Release: 4.1
Publication: NN46200-309
Document status: Standard
Document revision: 01.01
Document release date: 16 June 2008

To provide feedback or to report a problem in this document, go to www.nortel.com/documentfeedback.

www.nortel.com

LEGAL NOTICE

While the information in this document is believed to be accurate and reliable, except as otherwise expressly agreed to in writing NORTEL PROVIDES THIS DOCUMENT "AS IS" WITHOUT WARRANTY OR CONDITION OF ANY KIND, EITHER EXPRESS OR IMPLIED. The information and/or products described in this document are subject to change without notice.

Nortel, the Nortel logo, the Globemark, and Passport are trademarks of Nortel Networks.

All other trademarks are the property of their respective owners.

ATTENTION

For information about the regulatory message, read "Regulatory Information and Safety Precautions" in this guide.

For information about the software license, read "Software license" in this guide.



Free Manuals Download Website

<http://myh66.com>

<http://usermanuals.us>

<http://www.somanuals.com>

<http://www.4manuals.cc>

<http://www.manual-lib.com>

<http://www.404manual.com>

<http://www.luxmanual.com>

<http://aubethermostatmanual.com>

Golf course search by state

<http://golfingnear.com>

Email search by domain

<http://emailbydomain.com>

Auto manuals search

<http://auto.somanuals.com>

TV manuals search

<http://tv.somanuals.com>