

Connoisseur Collection[®]

by **NORTHLAND**

Refrigerated Wine Storage Use and Care Guide

Northland Kitchen Appliance

P.O. Box 400 Greenville, Michigan 48838-0400

1-800-223-3900 Fax: 616-754-0970

www.northlandnka.com

An AGA Company

For your convenience, please record the following information for future reference:

Date of purchase: _____ Dealers Phone #: _____

Dealers Name & Address: _____

Model #: _____ Date Warranty Card Sent: _____

Serial #: _____

Note:

- Model # & Serial # can be located on the serial plate of the product. Serial plates are located on the lower front cabinet flange or on the top of the inside compartment liner, dependent on model.
- It is recommended that you attach the original sales receipt to this Use & Care Guide.

Inspection

Remove Packaging

Your wine cabinet has been packed for shipment with all parts that could be damaged by movement securely fastened. Before using, be sure all packing materials and tape have been removed.

Important

Keep your carton packaging until your wine cabinet has been thoroughly inspected and found to be in good condition. If there is damage, the packaging will be needed as proof of damage in transit.

Note to Customer

This merchandise was carefully packed and thoroughly inspected before leaving our plant. Responsibility for its safe delivery was assumed by the carrier upon acceptance of the shipment. As directed on the side of your packing carton, claims for loss or damage sustained in transit must be made on the carrier as follows:

Exterior Damage

Make thorough damage notation on your delivery receipt and have driver acknowledge by signature and date. Send a written request asking for an inspection report from carrier. Include the name of carrier representative and the date the inspection was requested. Retain inspection report and receipt for filing of a claim.

Concealed Damage

This must be reported to the carrier within fifteen days. Obtain inspection report from the carrier. Retain the inspection report for filing the claim. **DO NOT RETURN DAMAGED MERCHANDISE TO MANUFACTURER - FILE THE CLAIM WITH THE CARRIER.**

How to Install Your Refrigerated Wine Cabinet

Select Location: The proper location will ensure peak performance of your appliance. Choose a location where the unit will be out of direct sunlight and away from heat sources. Best performance will be achieved in a location where the room temperature is maintained between 65° and 90°F. Operating the wine cooler in a room temperature outside this range could result in inconsistent wine storage temperatures.

Cabinet Clearance: Ventilation is required for your unit to operate properly. For under counter units this is achieved through the louvers on the lower front toe-grill. Full-height built-in units require ventilation through the fascia grille at the top of the unit. Please keep these areas open and free of obstructions.

Your specific model may have additional installation instructions included in your literature package. Please refer to these for specific details regarding installation of your unit.

Electrical Connection: Use nominal 115 volt, 60 cycle AC only. **DO NOT USE AN EXTENSION CORD**

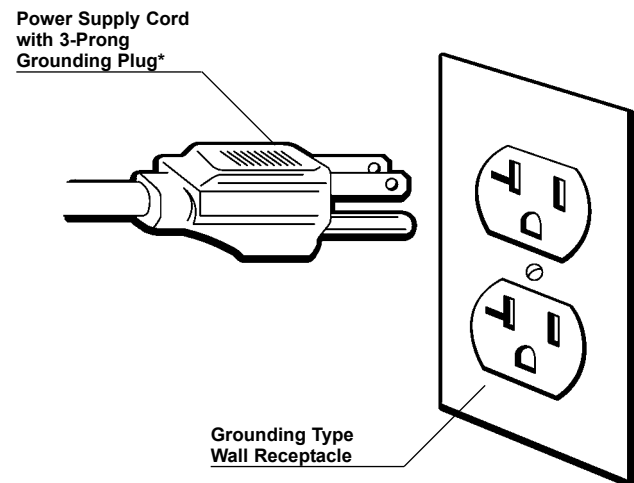


Figure 1

Grounding Method: This product is factory equipped with a power supply cord that has a three-pronged grounded plug. It must be plugged into a mating grounding type receptacle in accordance with the National Electrical Code and applicable local codes and ordinances (see figure 1). If the circuit does not have a grounding type receptacle, it is the responsibility and obligation of the customer to exchange the existing receptacle in accordance with the National Electrical Code and applicable local codes and ordinances. The third ground prong should not, under any circumstances, be cut or removed. All U.L. listed refrigerated products are equipped with this type of plug.

How to Operate Your Refrigerated Wine Cabinet

Setting the Control: The total available temperature range of the unit is from the low forties to the mid sixties. The middle range on the control is approximately 55°F. The temperature can be lowered or raised by turning the control clockwise or counterclockwise, respectively. A higher number is colder, a lower number is warmer. The "OFF" position shuts-down the refrigeration system only, it does not turn-off power to the unit. Figure 2 is a typical control knob representation; your graphics may vary slightly dependent upon your specific model. As with any refrigeration product, there will be a slight temperature variance at different locations within the storage compartment. Your appliance is shipped with the control set to the mid-point setting. It is recommended you wait 48-hours after initial loading of bottles to allow compartment temperature to stabilize prior to making control adjustments. If changes to control settings are desired, please wait 24-hours between adjustments to allow the new control settings to stabilize.

Typical Control Knob

(Your graphics and colors may vary slightly depending on your specific model.)

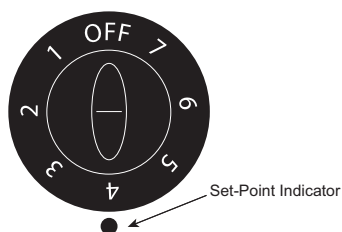


Figure 2

1 = warmest setting.
4 = mid-point setting.
7 = Coldest setting.

OFF = Refrigeration / cooling "only" turned-off.
(Unplug unit before servicing electrical components.)

Wine Bottle Storage: The slide-out shelves each hold four(4) to seven(7) standard size bottles depending on your specific model. See Figure 3 for typical recommended wine bottle storage configuration.

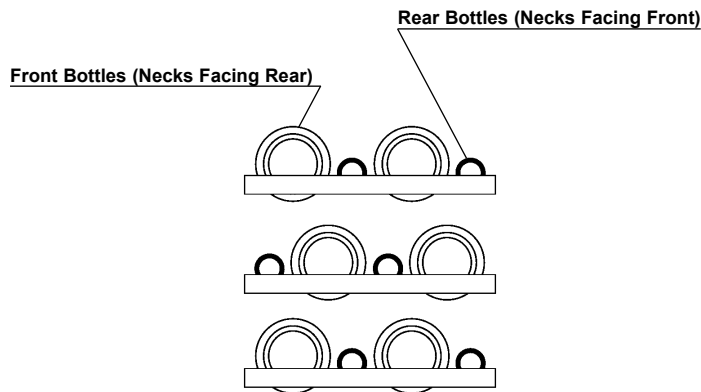


Figure 3

On the full-height built-in models shelf locations are provided with additional spacing to accommodate storage of large magnum style bottles.

On the 24" wide under counter model a cradle is provided on the floor of the unit for large bottle storage. For the 15" wide under counter model, large bottles can be accommodated by removing the shelf directly above the desired shelf storage location. This shelf removal method can also be used on the 24" under counter model if additional large bottle storage is required.

For convenience, keep your frequently used wines positioned with bottoms towards the door so the labels will be readily visible when the racks are slid-out. Place wines for aging or longer term storage in the rear rack positions.

Typical Wine Bottle Storage Capacity

15" Wide Under Counter	24" Wide Under Counter
24 Bottles	54 Bottles
18" Wide Built-In	24" Wide Built-In
75 Bottles	105 Bottles

How to Clean and Maintain Your Wine Chiller

Condenser: The condenser is an integral part of the refrigeration system used to expel heat that has been removed from the storage compartment. Therefore, to maintain optimal efficiency of your unit, periodic cleaning should be performed, and the condenser must receive adequate ventilation. At least once or twice a year, brush and/or vacuum lint and dirt from the condenser heat exchanger. The condenser heat exchanger on full-height built-in models is located behind the fascia panel above the unit. On under counter models the heat exchanger is located behind the lower toe-grille. To assure adequate ventilation, be sure that nothing obstructs the openings in and around the fascia panel or toe-grille, dependent on your specific model.

Cabinet: The painted cabinet can be washed with mild soap and water and thoroughly rinsed with clear water. Never use abrasive scouring powders.

Interior: Wash interior compartment with mild soap and water. Do not use an abrasive powder, solvent, polish cleaner or undiluted detergent.

Glass Door: Use a glass cleaner or mild soap and water and soft cloth to clean the glass door model. Do not use any abrasive powders.

Door Gasket: The vinyl gasket may be cleaned with mild soap and water, a baking soda solution or a mild scouring powder.

Lighting

Warning! It is highly recommended that you disconnect the power cord to the unit before attempting lamp replacement. Failure to do so could result in electrical shock that could severely injure you. The "OFF" position on the control does not disconnect power to the lamp assemblies.

Full-Height Built-In Models

Main Compartment Lighting: These models use two(2) 40 watt daylight filtered incandescent bulbs located at the "top-front-center" as the primary compartment illumination. This lighting is activated whenever the door is opened.

Aesthetic / Supplemental Lighting: Your unit is provided with five(5) low wattage lamp tubes for aesthetic

and/or supplemental lighting. Various "user selectable" modes of activation for these lights are available, (please see "Light Switch Function" in the "Appliance Features" section of this manual).

Under Counter Models

Compartmental and aesthetic lighting is provided via one(1) or two(2) low wattage lamp tubes, dependent on your specific model, located at the top of the compartment. These lamps are activated whenever the door is opened or can be "user selected" to remain on at all times, (please see "Light Switch Function" in the "Appliance Features" section of this manual).

Lamp Replacement

Bulbs: Please use equivalent size bulbs with wattage per bulb not to exceed 40 watts. If you prefer to use the factory specified daylight filtered bulbs, and have difficulty locating them, please contact the dealer you purchased your unit from with your specific model and serial number for ordering information.

Lamp Tubes: The lamp tubes are very reliable and are designed for long life. However, if a lamp tube ever requires replacement, you must use the original factory specified lamp tube assembly, as they have been designed specifically for your unit. To order the correct lamp tube replacement kit for your specific model, please contact the dealer you purchased your unit from with your model and serial number available. Lamp tube replacement kits include replacement instructions and any miscellaneous hardware required.

Note: Bulbs and lamp tubes not covered under product Seven(7) year limited warranty.

What to do in the event of a Power Failure

Power failures of duration less than 2-hours will have minimal effect on the compartmental temperatures if the door remains closed. Door openings during the power failure will adversely affect the compartment temperature. Power outages in excess of 2-hours will result in a gradual rise in temperature above proper wine storage temperatures. If the outage exceeds 8-hours, or if the ambient temperature is extremely warm, you may want to move your wines to the coolest location you can find until power is restored. It is recommended that you turn your control setting to the "OFF" position until power is restored. This is to prevent electrical component damage due to "brown-outs", (low-voltage conditions), that may occur as the power is brought back on-line.

Appliance Features

Temperature Control: The temperature control provided with your unit allows "user selectable" adjustment within a range of approximately 41°F at the coldest setting, to approximately 63°F at the warmest setting. This range allows the flexibility to select your ideal temperature preference for wine storage and aging. Please refer to the "How to Operate Your Refrigerated Wine Cabinet", "Setting the Control" section of this manual for the specifics of setting the temperature control.

Lighting: Interior lighting on all models is activated when the door is opened to facilitate viewing of your wine collection. In addition, a "user selectable" switch is provided to allow selection of supplemental and/or aesthetic lighting options as follows.

Full-Height Built-In Models - A three(3) position rocker switch is provided.



- Position "I" - Provides supplemental lighting upon door opening only. This is accomplished by having the upper and side-mounted aesthetic lamp tube lights activate in conjunction with the main compartment light.
- Position "0" - De-activates all aesthetic lighting. In this switch position only the main compartment light will activate when the door is opened.
- Position "II" - This setting activates the aesthetic lamp tube lights at all times. This setting is used to enhance the display of your wine collection when the door is closed. In addition, upon door opening, the main compartment light will still activate providing additional illumination to assist viewing of wine bottle labels.

Note: When "Position II" is selected, bottles in close proximity to the aesthetic lighting will experience slightly higher temperatures due to the wattage dissipation of the lamps. Therefore, it is recommended that positions "0" & "I" be used when display of your wine collection is not required.

Under Counter Models - A two(2) position rocker switch is provided.



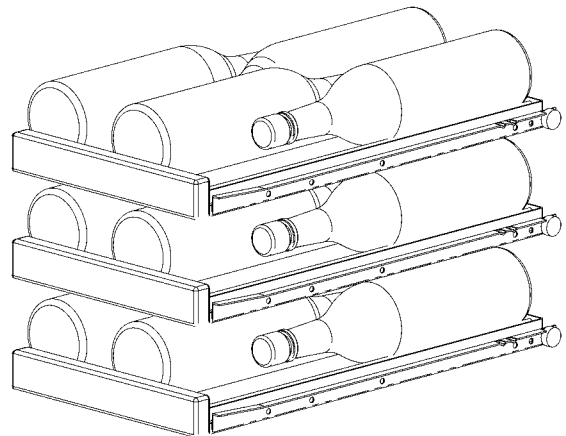
- "ON" Position - Interior lights are on continuously. This setting is used to enhance the display of your wine collection when the door is closed.
- "OFF" Position - Interior lights are only activated when the door is opened.

Note: When the "ON" position is selected, bottles on the upper shelf, in close proximity to the aesthetic lighting, will experience slightly higher temperatures due to the wattage dissipation of the lamps. Therefore, it is recommended that the "OFF" position be used when display of your wine collection is not required.

Door Lock: All models are supplied with a keyed lock to prevent unauthorized access to your wine collection.

Slide-Out Shelving: All models provide "slide-out" shelving to facilitate access and allow bottle identification with minimal disturbance to the wine bottles. Taking care to pull-out the shelving gently will minimize "unsettling" your wine collection. Do not lean or press down heavily on the wine shelves to prevent damaging the shelves and possibly the wine bottles stored on them. Avoid pulling out more than one(1) rack at a time to avoid instability.

All shelving is designed for single-level bottle storage to facilitate viewing and accessing your wine collection with minimal disturbance to other bottles.



Before Calling for Service

Before calling for service, check the trouble shooting table on this page. This table lists possible problems that you can remedy without difficulty to avoid an unnecessary service call.

Troubleshooting

Problem	Possible Causes/Solutions
Odor in cabinet	<ul style="list-style-type: none"> •Interior needs cleaning
Noisy operation	<ul style="list-style-type: none"> •Cabinet not level •Weak floor
Cabinet vibrates	<ul style="list-style-type: none"> •Cabinet not level •Weak floor
Cabinet light not working	<ul style="list-style-type: none"> •Lamp(s) burned out. •No power at outlet
Appliance will not run	<ul style="list-style-type: none"> •Temperature control turned to "OFF" •Line cord not plugged in •No power at electrical outlet •House fuse blown
Appliance runs too long	<ul style="list-style-type: none"> •Prolonged door openings •Control set too cold •Condenser needs cleaning •Too many door openings
Moisture collects inside	<ul style="list-style-type: none"> •Too many door openings •Prolonged door openings •Hot, humid weather increases condensation •Door not closed or obstructed
Moisture collects on outside surface	<ul style="list-style-type: none"> •Hot, humid weather increases condensation. As humidity decreases, moisture will disappear. •Control improperly set.
Interior too hot/too cold	<ul style="list-style-type: none"> •Control improperly set •Faulty thermometer •Relocate thermometer to center of cabinet and recheck •Condenser needs cleaning

If You Need Service

In the event that you do need service, contact your dealer or the manufacturer to locate a service representative near you. In any correspondence, you will need to refer to the model number and serial number of your unit to assure proper service. Proof-of-purchase may also be required to determine your warranty status. For your convenience, a location on the front cover of this manual has been provided for recording this information.

In the unlikely event you are in an area where there is no service representative, call or write the manufacturer directly, (contact information located on the front cover of this manual).

Warranty

Your new Northland Kitchen Appliance product is provided with a Seven(7) year limited warranty. This limited warranty is given by the manufacturer, (herein after referred to as Northland), to the original purchaser of the equipment supplied by Northland as long as the equipment remains in the possession of the original purchaser.

Please locate your Northland Kitchen Appliance "Product Warranty" certificate in the documentation package supplied with your unit, and retain in a safe location. This certificate details the warranty coverage provided.

It is important that you register your wine storage unit by sending in the warranty card immediately after taking delivery of your wine storage unit. Failure to do so could result in delays to warranty service coverage, if ever required.

Help prevent tragedies

Each year children die because they climb inside a discarded refrigeration product, get trapped inside and suffocate. Take precautions to prevent such tragedies by having the door removed before discarding.

Free Manuals Download Website

<http://myh66.com>

<http://usermanuals.us>

<http://www.somanuals.com>

<http://www.4manuals.cc>

<http://www.manual-lib.com>

<http://www.404manual.com>

<http://www.luxmanual.com>

<http://aubethermostatmanual.com>

Golf course search by state

<http://golfingnear.com>

Email search by domain

<http://emailbydomain.com>

Auto manuals search

<http://auto.somanuals.com>

TV manuals search

<http://tv.somanuals.com>