

Fan Forced Wall Heater

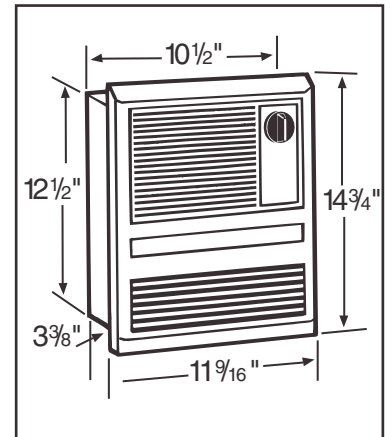
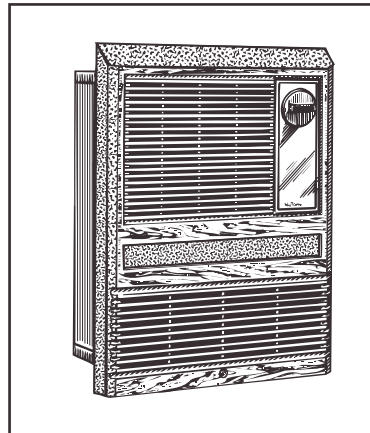
MODELS: 9810, 9815, 9819 Series

DESCRIPTION

- Attractive white on brown wood-grain grille brings cozy warmth to any room. Exceptionally durable grilles are heat resistant.
- Quiet fan and downflow action circulates heated air quickly.
- Three models offer wattage choice: 1000, 1500, 1920w. Heaters easily wired at installation for 120 or 240v. Over temperature protected by thermal fuse.
- Built-in adjustable thermostat. Quiet thermally-protected motor and transverse flow blower.
- Long-life bearings with extra large oil reservoir.
- Hang tab aids installation.

DESIGN FEATURES

- Electrical Rating:** 120/240 volts
9810 Series: 1050 total watts
9815 Series: 1550 total watts
9819 Series: 1970 total watts
Dimensions: 12½" x 10½" 3⅜".
Material: Cold rolled steel,
Finish: Enamel
- Housing:**
- Grille:** **Dimensions:** 14¾" x 11⅞".
Material: Polymeric.
Finish: Brown wood-grain or white.
- Impeller :** **Type:**Tangential.
Dimensions:7⅞ x 2⅝.
- Element:** **Type:**Coiled resistance wire
Wattage:
9810 Series: 1000.
9815 Series: 1500
9819 Series: 1920.
Material:Nickel-Chromium
- Motor:** Thermally protected, shaded pole, sleeve bearings.
- Switch:** **Type:** On/Off switch provided as part of thermostat.



INSTALLATION

Complete instructions included with each unit.

ARCHITECTS SPECIFICATIONS

Fan Forced Wall Heater(s) shall be models 9810BWN, 9815BWN, or 9819BWN with brown grille or Models 9810WH, 9815WH or 9819WH with white grille as manufactured by NuTone according to listed specifications.

NUTONE, INC. / 4820 RED BANK ROAD, CINCINNATI, OHIO 45227
 Product specifications subject to change without notice.

REFERENCE	QTY.	REMARKS	Project
			Location
			Architect
			Engineer
			Contractor
			Submitted by Date

Free Manuals Download Website

<http://myh66.com>

<http://usermanuals.us>

<http://www.somanuals.com>

<http://www.4manuals.cc>

<http://www.manual-lib.com>

<http://www.404manual.com>

<http://www.luxmanual.com>

<http://aubethermostatmanual.com>

Golf course search by state

<http://golfingnear.com>

Email search by domain

<http://emailbydomain.com>

Auto manuals search

<http://auto.somanuals.com>

TV manuals search

<http://tv.somanuals.com>