

NuTone®

INSTALLATION INSTRUCTIONS
READ AND SAVE THESE INSTRUCTIONS!

Musical Door Chime

Model: LA-52 Series

The chime may be used with lighted or unlighted pushbuttons. If two lighted pushbuttons are used, use only pushbuttons that are sold by NuTone.

A NuTone Model: 105T (16 volt, 15 watt) transformer must be purchased separately. **Note:** If desired, an equivalent transformer may be purchased locally.

NOTE: The Musical Chime features terminals for one- or two-door operation but cannot be used in multiple chime installations. Installation of the Chime is performed in two steps: (1) at the chime site, and (2) at the front door pushbutton.

EXISTING CONSTRUCTION

If needed, purchase NuTone Model 105T (16 volt, 15 watt) transformer separately.

Handle the Musical Chime carefully as you would any precision instrument. Disconnect power to the existing door chime.

1. Remove the cover from the existing door chime.
2. Disconnect the wires from the terminal strip of the existing door chime. Mark each wire as it is removed - front, transformer and rear.

Refer to Figure 1. If any additional wires (i.e. - side door) are present which are not required by the wiring diagram, cap these wires individually with a wire nut and electrical tape.

3. Remove the existing chime base from the wall.
4. **Refer to Figure 2.** Determine whether the Musical Chime will be hung vertically or horizontally. Pull the remaining wires through one of the large holes in the baseplate.
5. Using the proper mounting screws, mount the baseplate to the wall.

NOTE: If the Musical Chime is replacing a door chime that was mounted horizontally, the two small round holes in the base should align with the holes used to mount the base of the old chime. If the Musical Chime is replacing a door chime that was mounted vertically, use the two slotted holes that have T-shaped slots at the top.

6. Attach wires to the respective screw terminals (FRONT, TRANS, REAR) that are located on the baseplate's terminal block.
7. While holding the Musical Chime's housing in one hand, attach the blue, yellow and green wires from the chime's housing to the lugs marked FRONT, TRANS and REAR respectively on the terminal block.
8. If the Musical Chime is to be used with a NuTone Radio-Intercom System or an external speaker, follow the instructions that are provided on page 3 of this sheet before proceeding with the installation.
9. When the wiring has been completed, snap the chime's cover onto the baseplate.
10. Reconnect power to the door chime.

NEW CONSTRUCTION

NuTone Model: 105T (16 volt, 15 watt) transformer must be purchased separately.

Comply with local and national wiring codes. Bell wire and pushbutton(s) will also be needed to complete your installation. Position the door chime on a wall at eye level. Handle the chime carefully as you would any precision instrument.

WIRING

NOTE: Turn the house power off before wiring the transformer to the junction box.

1. Mount the transformer to a convenient junction box (attic location is not recommended) or to a circuit breaker box. Connect the house power leads to the transformer leads - black to black and white to white.
2. Run two conductor, 18 gauge wire from the transformer and the pushbutton(s) to the Musical Chime location.

NOTE: When fastening the wiring to the wall studs and ceiling joists, avoid short circuits that can result in staples or clips cut through the wiring insulation.
3. **Refer to Figure 2.** Bring the wires through one of the large openings in the Musical Chime's baseplate. Fasten the baseplate to the wall with screws. If the chime is to be mounted vertically, use the two (2) slotted holes with T-shaped slots on the top.
4. **Refer to Figure 1.** Connect the transformer and pushbutton wires to the Musical Chime's terminal board.
5. If you plan to use the Musical Chime with a NuTone Radio-Intercom System or an external speaker, follow the instructions that are provided on page 4 of this sheet before proceeding with the installation.
6. Carefully attach the blue, yellow and green wires from the chime's housing to the lugs marked FRONT, TRANS and REAR respectively on the terminal block.
7. When the wiring has been completed, snap the chime's cover onto the baseplate.
8. Reconnect power to the door chime.

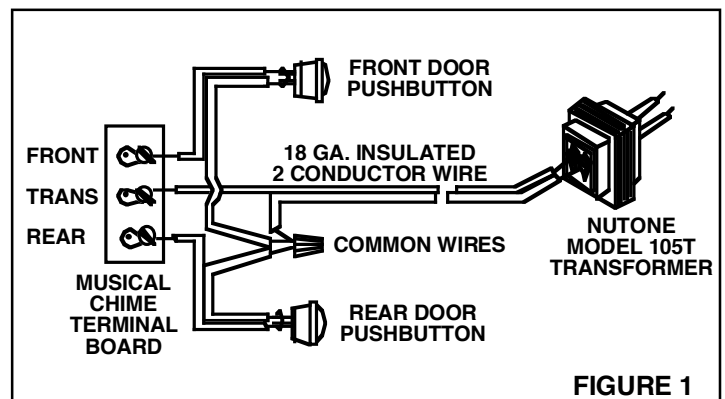


FIGURE 1

INSTALLING THE PUSHBUTTONS

A diode must be added to the front door pushbutton so that power will be supplied continuously to the Musical Chime while the tune is playing.

The diode is packed inside an envelope that is located between the baseplate and the chime's housing.

A diode is not required at the back door pushbutton.

To add the diode to the front door's pushbutton:

1. Remove the pushbutton from the door jamb or wall.
2. Refer to Figures 3, 4 and 5. Depending upon which type of pushbutton is being used, wire the diode to the two (2) terminals on the pushbutton.
3. Press the front door pushbutton and listen for the Musical Chime to play.
4. If the tune stops playing as soon as you remove your finger from the pushbutton, the diode is installed backwards. Simply reverse the wiring connections on the pushbutton and test the chime again. The tune should continue playing even after the pushbutton is released.
5. Tighten the terminal screws and replace the pushbutton in the door jamb or wall. **Note:** on metal siding, place a small piece of insulating tape on the surface opposite the diode to prevent shorting.

NOTE: If you are using a lighted pushbutton, the bulb's brightness will be reduced 30-40%. This is normal and will increase life of the bulb.

TUNE LABEL AND TUNE SELECTION

TUNE LABEL

Refer to Figure 6. The tune label is packaged in the same envelope as the diode.

If the Musical Chime has been mounted in the horizontal position, tear off and discard the bottom of the label. Peel off the back and mount the label on the inside surface of the door.

If the Musical chime has been mounted in the vertical position, tear the label at both perforations, discard the top portion and mount the tune list and instructions side by side on the inside surface of the door.

TUNE SELECTION

The Musical Chime will play 1 of 24 tunes at the front door and 2 notes of a tune at the rear door.

Refer to the Tune List and to Figure 7. Move the switches to the desired tune. Example: For "A Bicycle Built For Two" to be the selected tune, set the switches to "1" "A".

Press the TUNE TEST button. Set the loudness, speed and pitch of the tune by adjusting the VOLUME, TEMPO and TONE controls respectively. Turn the controls clockwise to increase or counterclockwise to decrease.

NOTE: Position 5E does not play a tune. The chime is in the off position.

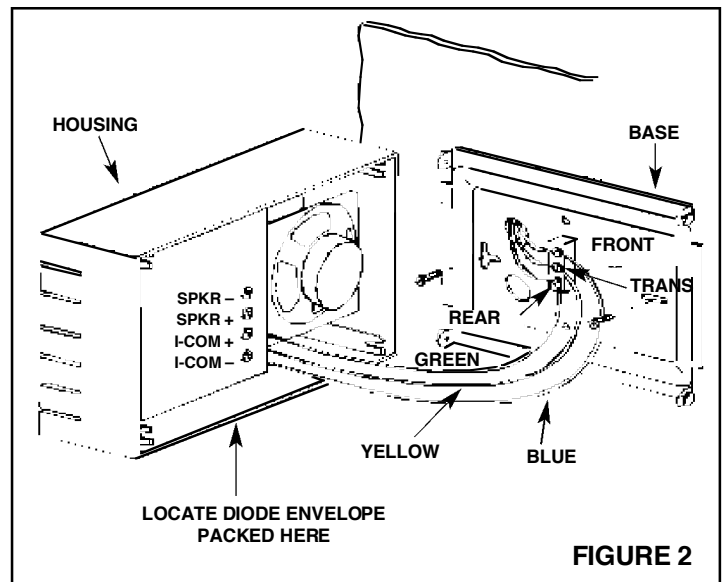


FIGURE 2

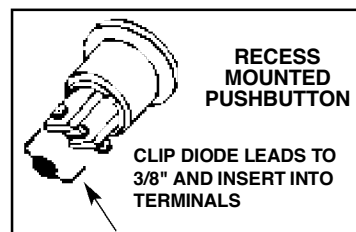


FIGURE 3

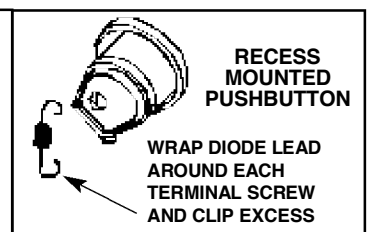


FIGURE 4

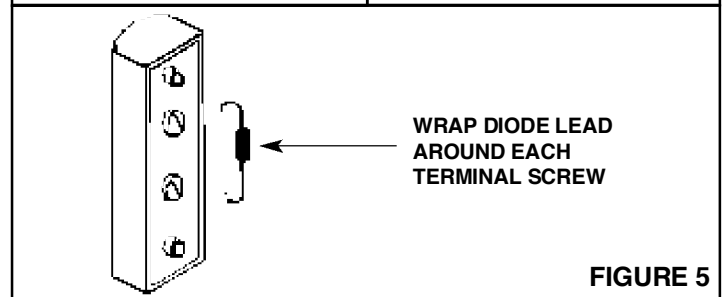


FIGURE 5

HARMONY MUSICAL CHIME
by NuTone Model LA 52
TO SELECT A TUNE

1. Set switches to desired code number and letter.
2. Press TUNE TEST button.
3. Adjust Tone, Tempo and Volume Controls as desired.
4. Press Tune Test to hear again.

TUNE LIST

1A A Bicycle Built for Two 2A Battle Hymn Of the Republic 3A Dixie 4A 1812 Overture 5A For He's A Jolly Good Fellow 1B Frere Jacques 2B Give My Regards To Broadway 3B Greensleeves 4B Hail! Hail! The Gangs All Here 5B Hallelujah Chorus 1C Happy Birthday 2C Hello, Ma Baby 3C Home Sweet Home 4C How Dry I Am	5C In The Good Old Summertime 1D I've Been Working On The Railroad 2D Jingle Bells 3D La Cucaracha 4D Oh! Dear, What Can The Matter Be? 5D Oh Tannenbaum 1E Shave And A Haircut 2E Twinkle Twinkle Little Star 3E Westminster Chimes (4-note) 4E Yankee Doodle
---	---

TO SELECT A TUNE

1. Set switches to desired code number and letter.
2. Press TUNE TEST button.
3. Adjust Tone, Tempo and Volume Controls as desired.
4. Press Tune Test to hear again.

HARMONY MUSICAL CHIME by NuTone Model LA 52

FIGURE 6

OPTIONAL FEATURES

USING THE MUSICAL CHIME WITH A NUTONE RADIO-INTERCOM SYSTEM

If desired, the Musical Chime may be used with a NuTone Radio-Intercom System. The chime signal will override the radio-intercom but will not mute the music source.

Refer to the wiring diagram below that corresponds with the radio-intercom system being used. Connect the wires (use NuTone IW-2) to the Musical Chime's circuit board terminals located inside the chime's housing.

To adjust the chime's volume so that it will be heard over the radio-intercom, use a screwdriver to turn the recessed control located below the I-COM terminals on the circuit board.

USING THE MUSICAL CHIME WITH AN EXTERNAL SPEAKER

If you do not have a NuTone Radio-Intercom System but would like for the Musical Chime to be heard in another section of the home, one external speaker may be used with the Musical Chime. **Note: Speaker must be purchased separately from NuTone.**

Use a surface-mounted speaker if the Musical Chime needs to be heard in another room of the home.

Or, if the Musical Chime needs to be heard at the front door, use a speaker that includes a pushbutton at that location. **NOTE: If a speaker that includes a pushbutton is used, the diode must be added to the pushbutton.**

Connect speaker terminals to the Musical Chime's circuit board at SPKR+ and SPKR- inside the chime's housing. Polarity need not be considered; connect either of the speaker's terminals to either SPKR terminal on the Musical Chime.

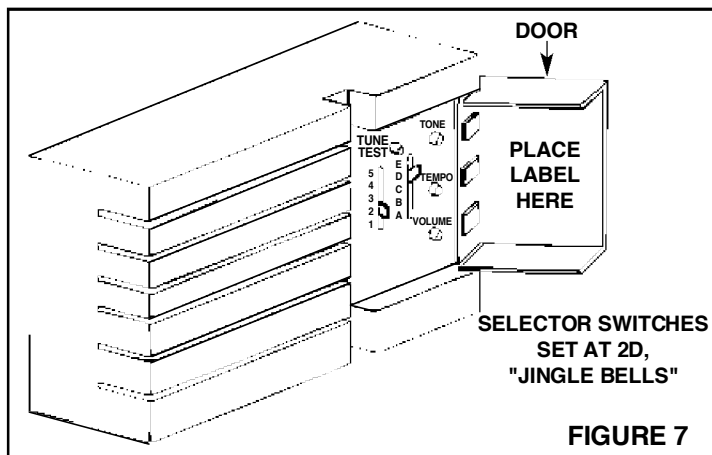
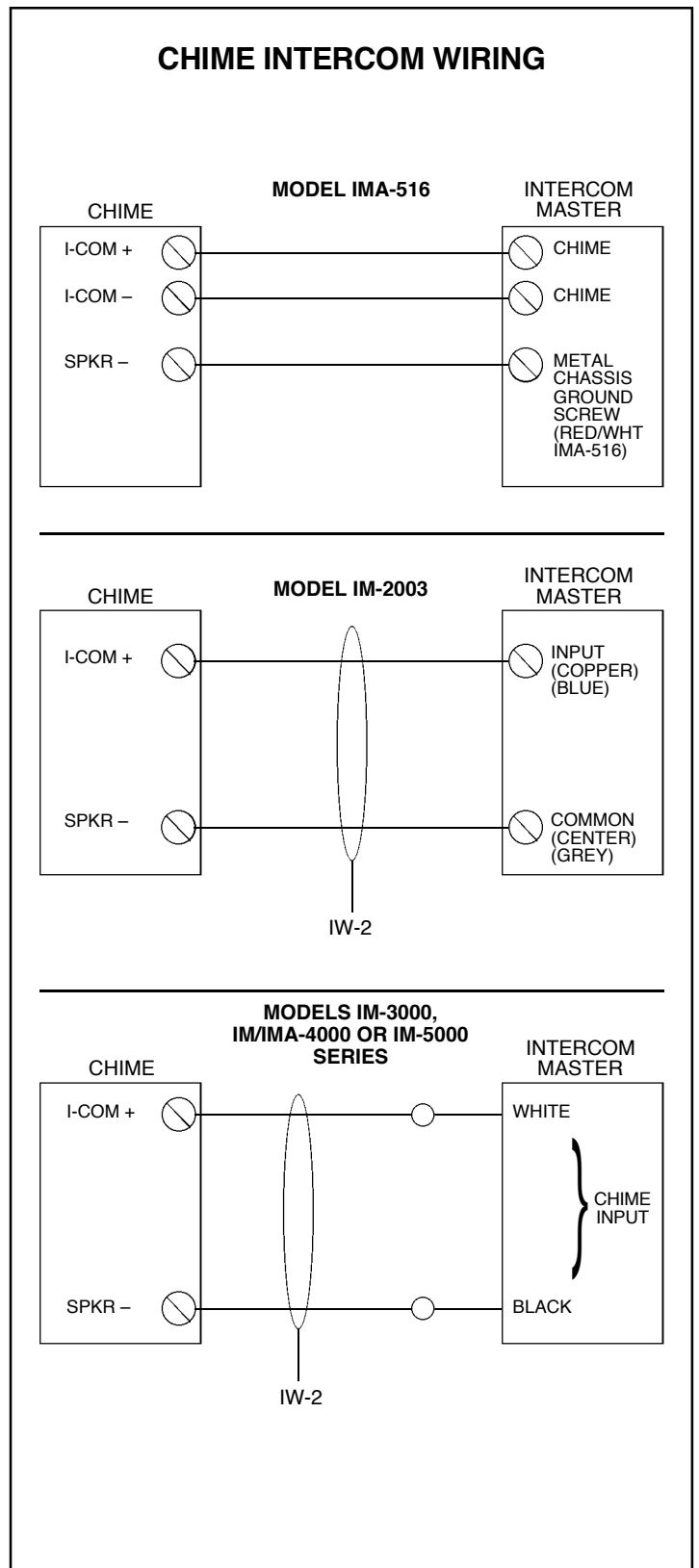


FIGURE 7



NuTone®

One Year Limited Warranty

WARRANTY OWNER: NuTone warrants to the original consumer purchaser of its products that such products will be free from defects in materials or workmanship for a period of one (1) year from the date of original purchase. **THERE ARE NO OTHER WARRANTIES, EXPRESS OR IMPLIED, INCLUDING, BUT NOT LIMITED TO, IMPLIED WARRANTIES OF MERCHANTABILITY OR FITNESS FOR A PARTICULAR PURPOSE.**

During this one year period, NuTone will, at its option, repair or replace, without charge, any product or part which is found to be defective under normal use and service. **THIS WARRANTY DOES NOT EXTEND TO FLUORESCENT LAMP STARTERS OR TUBES, FILTERS, DUCT, ROOF CAPS, WALL CAPS AND OTHER ACCESSORIES FOR DUCTING.** This warranty does not cover (a) normal maintenance and service or (b) any products or parts which have been subject to misuse, negligence, accident, improper maintenance or repair (other than by NuTone), faulty installation or installation contrary to recommended installation instructions.

The duration of any implied warranty is limited to the one year period as specified for the express warranty. Some states do not allow limitation on how long an implied warranty lasts, so the above limitation may not apply to you.

NUTONE'S OBLIGATION TO REPAIR OR REPLACE, AT NUTONE'S OPTION, SHALL BE THE PURCHASER'S SOLE AND EXCLUSIVE REMEDY UNDER THIS WARRANTY. NUTONE SHALL NOT BE LIABLE FOR INCIDENTAL, CONSEQUENTIAL OR SPECIAL DAMAGES ARISING OUT OF OR IN CONNECTION WITH PRODUCT USE OR PERFORMANCE. Some states do not allow the exclusion or limitation of incidental or consequential damages, so the above limitation or exclusion may not apply to you. This warranty gives you specific legal rights, and you may also have other rights, which vary from state to state. This warranty supersedes all prior warranties.

WARRANTY SERVICE: To qualify for warranty service, you must (a) notify NuTone at the address stated below or telephone 1/800-543-8687, (b) give the model number and part identification and (c) describe the nature of any defect in the product or part. At the time of requesting warranty service, you must present evidence of the original purchase date.

Date of Installation

Builder or Installer

Model No. and Product Description

IF YOU NEED ASSISTANCE OR SERVICE:

For the location of your nearest NuTone Independent Authorized Service Center:

Residents of the contiguous United States Dial Free 1-800-543-8687

Please be prepared to provide:

Product model number · Date and Proof of purchase · The nature of the difficulty

Residents of Alaska or Hawaii should write to: NuTone Inc. Attn: Department of National Field Service, 4820 Red Bank Road, Cincinnati Ohio 45227-1599.

Residents of Canada should write to: Broan-NuTone Canada, 1140 Tristar Drive, Mississauga, Ontario, Canada L5T 1H9.

Rev. 01/2005

NuTone®

Product specifications subject to change without notice.

4820 Red Bank Road, Cincinnati, Ohio 45227
Printed in U.S.A., Rev. 01/07, Part No. 84316

Carillón musical de puerta Modelo: Serie LA-52

El carillón se puede utilizar con botones con luz o sin luz. Si se utilizan dos botones iluminados, utilice solamente los botones que vende NuTone. El transformador modelo NuTone 105T (16 voltios, 15 vatios) tiene que comprarse separadamente. **Nota:** Si se desea, se puede comprar un transformador equivalente localmente. **NOTA: El carillón musical tiene bornes para la operación de una o dos puertas pero no se puede utilizar en instalaciones de varios carillones. La instalación del carillón se realiza en dos pasos: (1) en el lugar del carillón, y (2) en el botón de la puerta principal.**

CONSTRUCCION EXISTENTE

Si es necesario, compre el transformador NuTone modelo 105T (16 voltios, 15 vatios) separadamente.

Manipule el carillón musical con cuidado, tal como lo haría con cualquier instrumento de precisión. Desconecte la corriente del carillón existente de la puerta.

1. Retire la tapa del carillón existente de la puerta.
2. Desconecte los hilos del bloque de terminales del carillón existente de la puerta. Marque cada hilo al retirarlo principal (puerta principal), trans (transformador) y trasera (puerta trasera). **Vea la Figura 1. Si hay presentes más hilos (es decir, puerta lateral) de los requeridos por el diagrama del cableado, tape estos hilos individualmente con una tuerca de hilos y cinta aislante para usos eléctricos.**
3. Retire la base del carillón existente de la pared.
4. **Vea la Figura 2.** Determine si el carillón musical va a ser colgado vertical u horizontalmente. Tire de los hilos restantes a través de uno de los agujeros grandes de la chapa de montaje.
5. Utilizando los tornillos de montaje apropiados, monte la chapa de montaje a la pared.
NOTA: Si el carillón musical está reemplazando a un carillón de puerta que estaba montado horizontalmente, los dos agujeros pequeños y redondos de la base deben estar alineados con los agujeros utilizados para montar la base del antiguo carillón. Si el carillón musical está reemplazando a un carillón de puerta que estaba montado verticalmente, utilice los dos agujeros ranurados que tiene ranuras en forma de T en la parte superior.
6. Conecte los hilos a los bornes de tornillos correspondientes (FRONT, TRANS, REAR) que están ubicados en el bloque de terminales de la chapa de montaje.
7. Mientras sujeta la caja del carillón musical con una mano, conecte los hilos azul, amarillo y verde de la caja del carillón a las lengüetas de conexión marcadas con FRONT, TRANS y REAR respectivamente en el bloque de terminales.
8. Si el carillón musical se va a utilizar con un sistema de radiointercomunicación NuTone o con un altavoz externo sigalas instrucciones provistas en la página 3 de este folleto antes de continuar con la instalación.
9. Cuando haya terminado con el cableado, encaje la tapa del carillón en la chapa de montaje.

10. Vuelva a conectar la corriente que va al carillón de la puerta.

CONSTRUCCION NUEVA

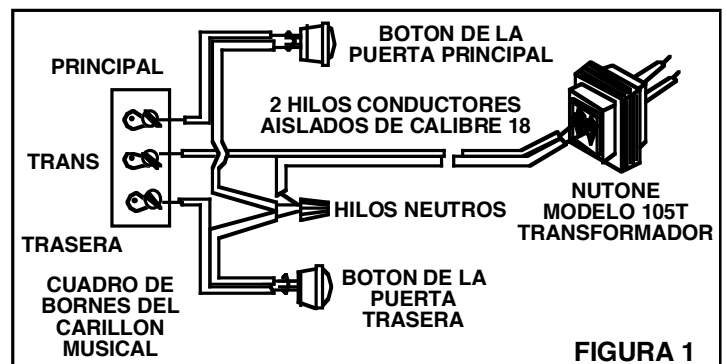
El transformador modelo NuTone 105T (16 voltios, 15 vatios) tiene que comprarse separadamente.

Cumpla con los códigos de cableado locales y nacionales. Para completar la instalación también necesitará el cable del timbre y los botones. Coloque el carillón de puerta en la pared al nivel de los ojos. Manipule el carillón musical con cuidado, tal como lo haría con cualquier instrumento de precisión.

CABLEADO

NOTA: Desconecte la corriente de la casa antes de conectar el transformador a la caja de conexiones.

1. Monte el transformador en una caja de conexiones práctica (no se recomienda la ubicación en el ático) o en una caja de disyuntores. Conecte los conductores de corriente de la casa a los conductores del transformador - negro con negro y blanco con blanco.
2. Lleve dos hilos conductores de calibre 18 desde el transformador y los botones a la ubicación del carillón musical.
NOTA: Cuando sujete el cableado a los montantes de la pared y a las viguetas del techo, evite los cortocircuitos debidos al atravesar el aislamiento de los hilos con las grapas o pinzas.
3. **Vea la Figura 2.** Traiga los hilos a través de una de las aberturas grandes de la chapa de montaje del carillón musical. Sujete la chapa de montaje a la pared con los tornillos. Si va a montar el carillón verticalmente, utilice los dos (2) agujeros ranurados con ranuras en forma de T en la parte superior.
4. **Vea la Figura 1.** Conecte los hilos del transformador y de los botones al cuadro de bornes del carillón musical.
5. Si piensa utilizar el carillón musical con un sistema de radiointercomunicación NuTone o con un altavoz externo, siga las instrucciones provistas en la página 4 de este folleto antes de continuar con la instalación.
6. Conecte con cuidado los hilos azul, amarillo y verde de la caja del carillón a las lengüetas de conexión marcadas con FRONT, TRANS Y REAR respectivamente en el bloque de terminales.
7. Cuando haya terminado con el cableado, encaje la tapa del carillón en la chapa de montaje.
8. Vuelva a conectar la corriente que va al carillón de la puerta.


FIGURA 1

INSTALACION DE LOS BOTONES

Hay que añadir un diodo al botón de la puerta principal para que la corriente sea suministrada de manera continua al carillón musical mientras está sonando la melodía.

El diodo está empaquetado dentro de un sobre ubicado entre la chapa de montaje y la caja del carillón.

No se requiere un diodo en el botón de la puerta trasera.

Para añadir el diodo al botón de la puerta principal:

1. Retire el botón de la jamba de la puerta o pared.
2. **Vea las Figuras 3, 4 y 5.** Dependiendo del tipo de botón utilizado, conecte el diodo a los dos (2) bornes del botón.
3. Pulse el botón de la puerta principal y escuche la melodía del carillón musical.
4. Si la melodía se detiene tan pronto como deja de apretar el botón, el diodo está instalado al revés. Simplemente invierta las conexiones del cableado del botón y pruebe de nuevo el carillón. La melodía debe de continuar sonando incluso después de soltar el botón.
5. Apriete los tornillos del borne y cambie el botón de la jamba de la puerta o pared. **Nota:** en las paredes con forro de chapa metálica ponga un trozo pequeño de cinta aislante en la superficie opuesta al diodo para evitar un cortocircuito.

NOTA: Si está utilizando un botón con luz, la brillantez de la bombilla se reducirá en un 30 ó 40%. Esto es normal y aumentará la duración de la bombilla.

ETIQUETA DE LA MELODIA Y SELECCION DE LA MELODIA

ETIQUETA DE LA MELODIA

Vea la Figura 6. La etiqueta de la melodía está empaquetada en el mismo sobre que el diodo.

Si ha montado el carillón musical horizontalmente, desprenda y deseche la parte inferior de la etiqueta. Pele la parte posterior de la etiqueta y monte esta última en la superficie interior de la puerta.

Si ha montado el carillón musical verticalmente, desprenda la etiqueta en ambas perforaciones, deseche la parte superior de la etiqueta y monte la lista de melodías y las instrucciones lado con lado en la superficie interior de la puerta.

SELECCION DE LA MELODIA

El carillón musical toca de 1 a 24 melodías en la puerta principal y 2 notas de una melodía en la puerta trasera.

Vea la lista de melodías y la Figura 7. Cambie los interruptores a la melodía deseada. Ejemplo: Para seleccionar la melodía "A Bicycle Built For Two", ponga los interruptores en las posiciones "1" "A".

Pulse el botón de TUNE TEST. Ajuste la sonoridad, la velocidad y el tono ajustando los controles del VOLUME, TEMPO Y TONE (volumen, ritmo y tono) respectivamente. Gire los controles en el sentido de las agujas del reloj para subir o en el sentido contrario a las agujas del reloj para bajar.

NOTA: La posición 5E no hace sonar la melodía. El carillón se encuentra en la posición de apagado.

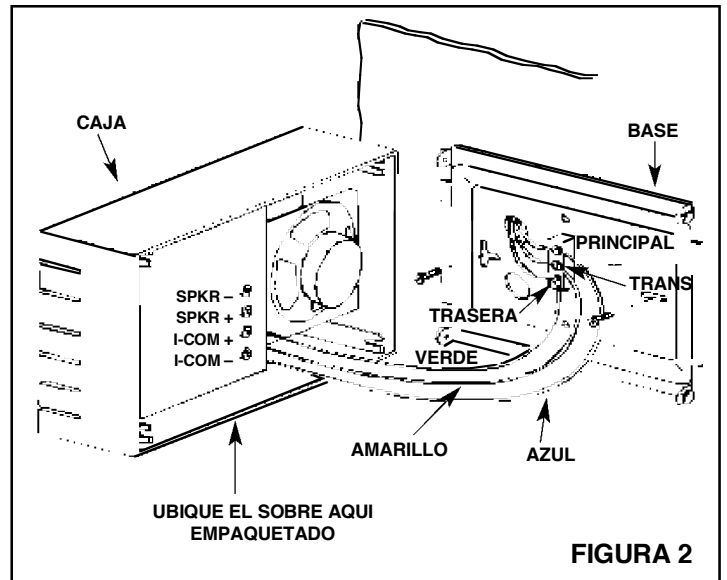


FIGURA 2

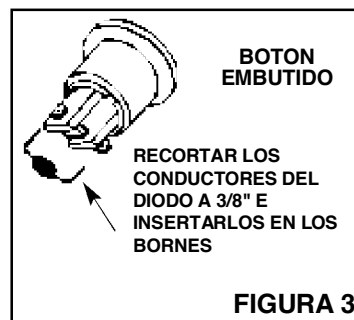


FIGURA 3

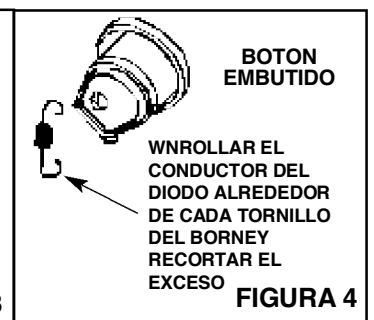


FIGURA 4

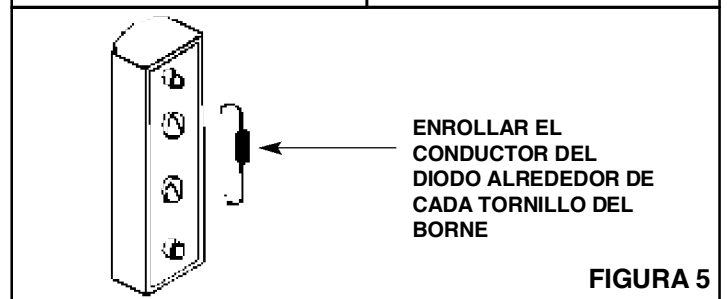


FIGURA 5

HARMONY MUSICAL CHIME
by NuTone Model LA 52
TO SELECT A TUNE

1. Set switches to desired code number and letter.
2. Press TUNE TEST button.
3. Adjust Tone, Tempo and Volume Controls as desired.
4. Press Tune Test to hear again.

TUNE LIST

1A A Bicycle	5C In The Good
Built for Two	Old Summertime
2A Battle Hymn	1D I've Been Working
Of the Republic	On The Railroad
3A Dixie	2D Jingle Bells
4A 1812 Overture	3D La Cucaracha
5A For He's A	4D Oh! Dear, What
Jolly Good Fellow	Can The Matter Be?
1B Frere Jacques	5D Oh Tannenbaum
2B Give My	1E Shave And
Regards To Broadway	A Haircut
3B Greensleeves	2E Twinkle Twinkle
4B Hail! Hail! The	Little Star
Gangs All Here	3E Westminster Chimes
5B Hallelujah Chorus	(4-note)
1C Happy Birthday	4E Yankee Doodle
2C Hello, Ma Baby	
3C Home Sweet Home	
4C How Dry I Am	

1. Set switches to desired code number and letter.

2. Press TUNE TEST button.

3. Adjust Tone, Tempo and Volume Controls as desired.

4. Press Tune Test to hear again.

HARMONY MUSICAL CHIME by NuTone Model LA 52

TO SELECT A TUNE

FIGURA 6

CARACTERISTICAS OPCIONALES

PARA UTILIZAR EL CARILLON MUSICAL CON UN SISTEMA DE RADIOINTERCOMUNICACION NUTONE

Si se desea, se puede utilizar el carillón musical con un sistema de radiointercomunicación NuTone. La señal del carillón anulará la radiointercomunicación pero no desconectará la fuente de música.

Vea el siguiente diagrama del cableado que corresponda al sistema de radiointercomunicación que se esté utilizando. Conecte los hilos (utilice NuTone IW-2) a los bornes de la placa de circuito impreso del carillón musical ubicada dentro de la caja del carillón.

Para ajustar el volumen del carillón para que se pueda oír por encima de la radiointercomunicación, utilice un destornillador para girar el control embutido ubicado debajo de los bornes I-COM en la placa de circuito impreso.

PARA UTILIZAR EL CARILLON MUSICAL CON UN ALTAVOZ EXTERNO

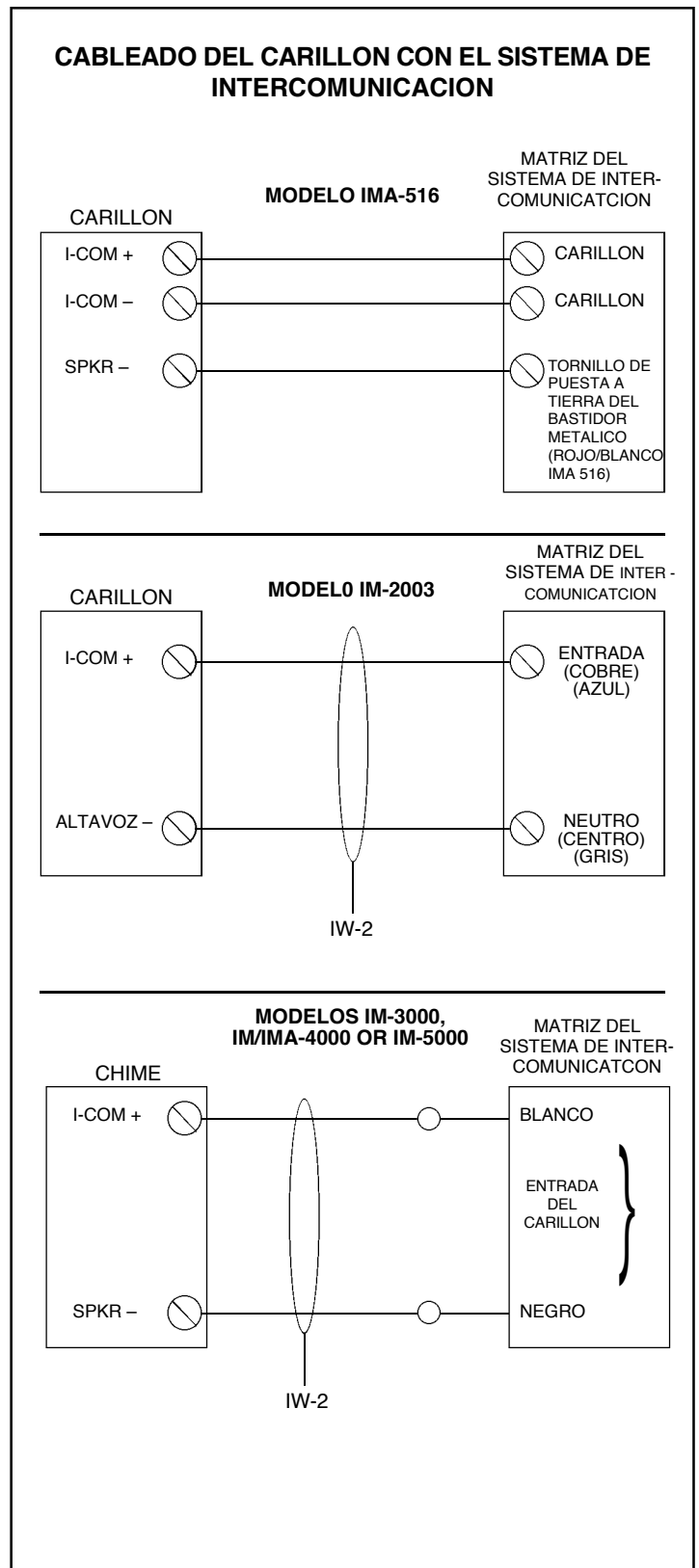
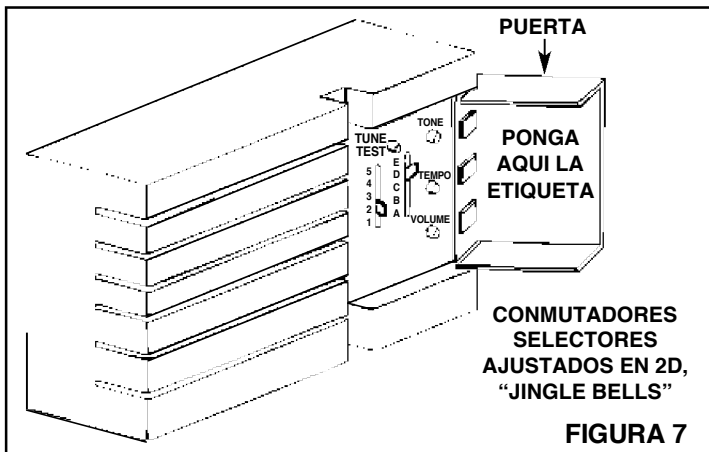
Si no tiene un sistema de radiointercomunicación NuTone pero le gustaría que el carillón musical se oyera en otra sección de la casa, se puede utilizar un altavoz externo con el carillón musical. **Nota: El altavoz se compra separadamente a NuTone.**

Utilice un altavoz de montaje en superficies si es necesario oír el carillón musical en otra habitación de la casa.

O bien, si es necesario oír el carillón musical en la puerta principal, utilice un altavoz que incluya un botón en esa ubicación.

NOTA: Si se utiliza un altavoz que incluye un botón, habrá que añadir el diodo al botón.

Conecte los bornes del altavoz a la placa de circuito impreso del carillón musical al ALTAVOZ + Y ALTAVOZ - dentro de la caja del carillón. No hay que tener en cuenta la polaridad; conecte cualquiera de los bornes del altavoz a cualquier borne de los ALTAVOCES del carillón musical.



NuTone®

Garantía Limitada de un Año

GARANTÍA DEL PROPIETARIO: NuTone garantiza al comprador consumidor original de sus productos, por el período de un (1) año desde la fecha original de compra, que tales productos están libres de defectos en material y mano de obra. **NO HAY OTRAS GARANTÍAS, EXPRESADAS O SOBREENTENDIDAS, INCLUYENDO, PERO NO LIMITADAS A, GARANTÍAS NO EXPRESADAS DE MERCANTIBILIDAD O ADAPTABLES A UN PROPÓSITO EN PARTICULAR.**

Durante este período de un año, NuTone reparará o reemplazará a su opción y sin costo, cualquier producto o parte que se encuentre defectuoso bajo condiciones normales de uso y servicio. **ESTA GARANTÍA NO CUBRE A LOS ARRANCADORES PARA LÁMPARAS FLUORESCENTES O A LOS TUBOS FLUORESCENTES, FILTROS, DUCTOS, TAPAS DE TECHO, TAPAS DE PARED Y OTROS ACCESORIOS PARA CANALIZACIÓN.** Esta garantía no cubre (a) Mantenimiento y servicios normales (b) Productos o partes sujetos al mal uso, negligencia, accidente, mantenimiento inadecuado o reparaciones (por otros ajenos a NuTone), instalación defectuosa o a una instalación contraria a las instrucciones de instalación recomendadas.

La duración de cualquier garantía no expresada está limitada a un período de un año según se especifica en la garantía expresada. Algunos estados no permiten limitación en cuanto a la duración de una garantía no expresada, por lo que la limitación arriba indicada puede que no se aplique a Ud.

LA OBLIGACIÓN DE NUTONE DE REPARAR O REEMPLAZAR A SU OPCIÓN, SERÁ EL ÚNICO Y EXCLUSIVO RECURSO QUE TENDRÁ EL COMPRADOR BAJO ESTA GARANTÍA. NUTONE NO SERÁ RESPONSABLE POR DAÑOS INCIDENTALES, CONSECUENTES O ESPECIALES QUE RESULTEN A CONSECUENCIA O SEAN INDEPENDIENTE DEL USO O DESEMPEÑO DEL PRODUCTO. Algunos estados no permiten la exclusión o limitación de daños incidentales o consecuentes, de modo que la limitación o exclusión arriba indicada pueda que no se aplique a Ud. Esta garantía le proporciona derechos legales específicos, y Ud. puede tener otros derechos, los cuales varían de estado a estado. Esta garantía reemplaza a todas las garantías anteriores.

SERVICIO DE GARANTÍA: Para tener derecho al servicio de garantía, Ud. debe (a) Notificar a NuTone a la dirección indicada más abajo o al teléfono 1/800-543-8687, (b) indicar el número de modelo y la identificación de la parte y (c) describir la naturaleza de cualquier defecto en el producto o parte. Al momento de solicitar el servicio por la garantía, Ud. debe presentar la evidencia de la fecha original de compra.

Fecha de instalación

Constructor o instalado

Nº de modelo y descripción del producto

SI NECESITA ASISTENCIA O SERIVIVIO:

Para obtener la localización del Centro de Servicio Autorizado:

Los residentes de los Estados Unidos contiguos llaman gratis al: 1 800 543 8687

Por favor, esté preparado para suministrar • Fecha y prueba de compra • La naturaleza de la dificultad

Los residentes de Alaska o Hawaii deben escribir a: NuTone Inc. Attn: Department of National Field Service, 4820 Red Bank Road, Cincinnati Ohio USA 45227-1599.

Los residentes de Canada: Écrivez à Broan-NuTone Canada, 1140 Tristar Drive, Mississauga, Ontario Canada L5T 1H9.

Rev. 01/2005

Las especificaciones del producto están sujetas a cambio sin previo aviso

NuTone®

4820 Red Bank Road, Cincinnati, Ohio 45227
Impreso en los EE.UU., Rev. 01/07, Pieza Nº 84316

NuTone®

INSTRUCTIONS D'INSTALLATION
LIRE ET CONSERVER CES INSTRUCTIONS!

Carillon Musical de Porte

Modèle: LA-52 Série

Il est possible d'utiliser le carillon avec des boutons-poussoirs illuminés ou non. Si deux boutons-poussoirs sont utilisés, il ne faut utiliser que des boutons-poussoirs vendus par NuTone.

Il faut acheter séparément un transformateur NuTone Modèle 105T (16 V, 15 W). **Remarque:** Si désiré, il est possible d'acheter localement un transformateur équivalent.

Remarque: Le carillon musical est équipé de bornes pour utilisation avec une ou deux portes, mais il n'est pas possible de l'utiliser dans une installation avec plusieurs carillons. L'installation d'un carillon se fait en deux étapes: (1) à l'emplacement du carillon, (2) au bouton-poussoir de la porte d'entrée.

CONSTRUCTION EXISTANTE

Si nécessaire, acheter séparément un transformateur NuTone Model 105T (16 V, 15 W).

Manipuler le carillon musical avec précaution, comme n'importe quel instrument délicat. Couper l'alimentation secteur du carillon existant.

- Oter le couvercle du carillon existant.
- Debrancher les fils de la borne du carillon existant, en marquant chaque fil quand vous le retirez – Avant, Trans, Arrière.

Voir Figure 1. Tout fil supplémentaire (par exemple: commutateur ou coté) doit être neutralisé au moyen d'une cosse ou de ruban adhésif électrique et repoussés dans le trou du mur. Ces fils ne sont pas nécessaires pour le LA-52.

- Retirer le support du carillon existant du mur.
- Voir Figure 2.** Décider si vous voulez que le LA-52 soit suspendu verticalement ou horizontalement. Tirer les fils restants par un des grands trous dans la plaque de base qui donne le meilleur camouflage de la cavité murale.
- Monter la base dans le mur.
- NOTE: Si le LA-52 remplace un carillon monte horizontalement, les deux petits trous de la nouvelle plaque doivent s'aligner avec les trous utilisés pour monter l'ancienne base. Si le LA-52 remplace un carillon monté verticalement, utiliser les deux trous rainures en T positionnés en haut.**
- Attacher les fils à leurs vis respectives (AVANT, TRANS, ARRIERE) sur les bornes de la base.
- Tenir la boîte du LA-52 dans une main, attacher les fils bleus, jaunes et verts aux attaches respectivement marquées (AVANT, TRANS, ARRIERE) sur les bornes de la base.
- Si vous envisagez d'utiliser l'harmonie LA-52 avec un interphone NuTone ou un haut-parleur extérieur, suivez les instructions de ces accessoires avant de procéder.
- Quand tous les fils sont connectés, engager le boîtier du LA-52 sur la base en engageant les quatre coins.
- Rebrancher le courant du carillon.

NOUVELLE CONSTRUCTION

Il faut acheter séparément le transformateur NuTone Modèle 105T (16 V, 15 W).

Il faut se conformer aux codes locaux et nationaux. Il faut aussi utiliser du fil de sonnette et un (des) bouton(s)-poussoir(s) pour faire l'installation. Le carillon musical doit être vu aussi bien qu'entendu. Installer le carillon musical au niveau des yeux. Manipuler le carillon avec soin, comme n'importe quel instrument délicat.

BRANCHEMENT

NOTE: Couper le courant de la maison avant de brancher un transformateur avec une boîte de jonction.

- Monter le transformateur près d'une boîte de jonction pratique (Installation dans un grenier non recommandée) ou près d'un coupe circuit. Connecter le fil d'alimentation de la maison avec le fil du transformateur – fil noir sur fil noir et fil blanc sur fil blanc.

- Passer les fils conducteurs jumeaux calibre 18 du transformateur et du bouton poussoir jusqu'à l'emplacement du LA-52.

NOTE: En attachant les fils aux murs et aux poutres du plafond, éviter les courts circuits qui peuvent survenir quand les agrafes ou les clous passent à travers l'isolant des fils.

- Voir Figure 2.** Passer les fils à travers un des larges trous situés dans la plaque de base du LA-52. Fixer la plaque de base sur le mur avec des vis. Si elle est montée verticalement, utiliser les deux trous rainures en T en les positionnant au sommet.
- Voir Figure 1.** Brancher les fils du transformateurs et du bouton sur les bornes du boîtier du LA-52.
- Si vous envisagez d'utiliser l'harmonie LA-52 avec un interphone NuTone ou un haut-parleur extérieur, suivez les instructions de ces accessoires avant de procéder.
- Tenir la boîte du LA-52 dans une main, attacher les fils bleus, jaunes et verts aux attaches respectivement marquées (AVANT, TRANS, ARRIERE) sur les bornes de la base.
- Quand tous les fils sont connectés, engager le boîtier du LA-52 sur la base en engageant les quatre coins.
- Rebrancher le courant du carillon.

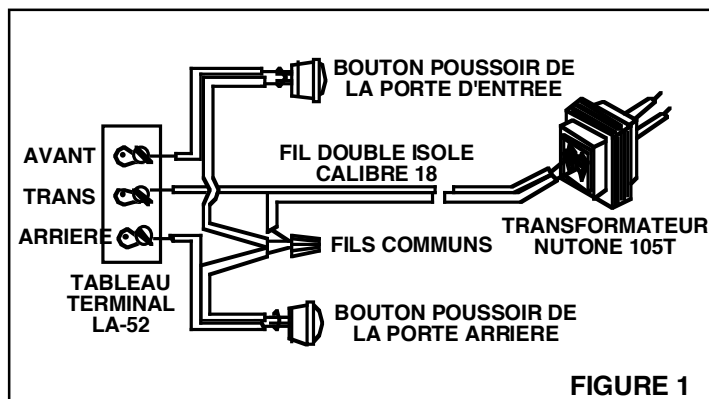


FIGURE 1

INSTALLATION DES BOUTONS POUSSOIRS

Il faut ajouter une diode au bouton-poussoir de la porte d'entrée pour que le carillon soit alimenté continuellement alors qu'il joue l'air.

La diode est emballée dans une enveloppe qui se trouve entre la plaque de base et le boîtier du carillon.

Il n'y a pas besoin de diode sur la porte de jardin.

Pour ajouter la diode sur le bouton-poussoir de la porte d'entrée:

1. Retirer le bouton du montant de la porte ou du mur.
2. **Voir Figures 3, 4 and 5.** Brancher la diode aux deux extrémités sur le bouton poussoir, selon la forme de votre bouton poussoir.
3. Appuyer sur le bouton poussoir de la porte de devant et écouter le carillon jouer.
4. Si la musique s'arrête dès que vous ôtez votre doigt du bouton, la diode est montée à l'envers. Inversez les branchements sur le bouton poussoir et essayez de nouveau. Cette fois, la musique devrait continuer de jouer même après que le bouton soit relâché.
5. Serrez les vis des bornes et remplacez le bouton poussoir sur le montant de la porte ou sur le mur. (Sur un montant métallique, placez un petit morceau de ruban isolant sur la surface opposée à la diode pour éviter un court-circuit.)

NOTE: Si vous utilisez un bouton poussoir éclairé, la luminosité de la lampe sera réduite de 30 à 40% – Ceci est normal et augmentera la durée de vie de la lampe.

LISTE DES MELODIES ET SELECTIONN

LISTE DES MELODIES

Voir Figure 6. La liste des mélodies est emballée dans la même enveloppe que la diode placée entre la plaque de base et le boîtier du carillon.

Si vous avez monté le LA-52 horizontalement, détacher le bas de la liste, décoller l'arrière et fixer la Fiche à l'intérieur de la porte.

Si vous avez monté le LA-52 verticalement, détacher les fiches à chaque perforation, prendre le haut et fixer la liste des mélodies et les instructions côte à côte.

SELECTION D'UN AIR

Le carillon musical joue un de 24 airs pour la porte d'entrée et deux notes pour la porte de jardin.

Consulter la liste des airs et la Figure 7. Mettre l'interrupteur sur l'air désiré. Par exemple - Pour choisir «A bicycle built for two», mettre les commutateurs sur «1» «A».

Appuyer sur le bouton TUNE TEST. Régler le volume, la vitesse et le ton de l'air en réglant les commandes de VOLUME, TEMPO et TONE respectivement. Faire tourner les boutons dans le sens des aiguilles d'une montre pour augmenter et dans le sens inverse pour diminuer.

Remarque: La position 5E ne joue aucun air. C'est la position d'arrêt du carillon.

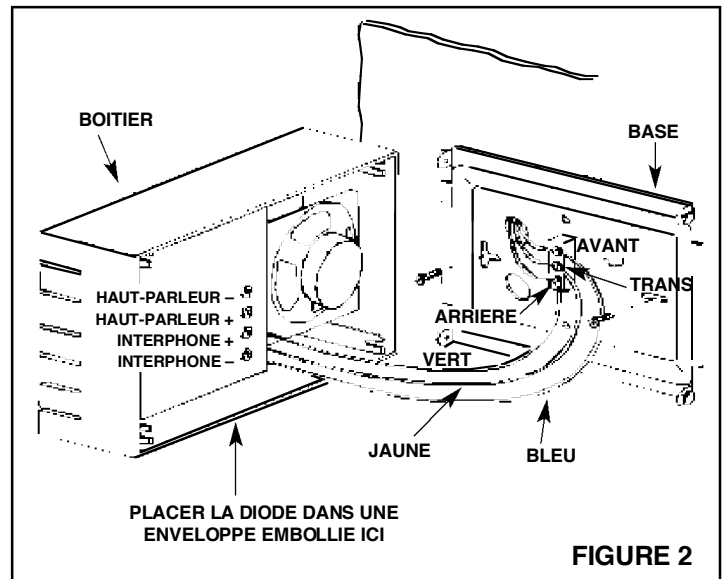


FIGURE 2

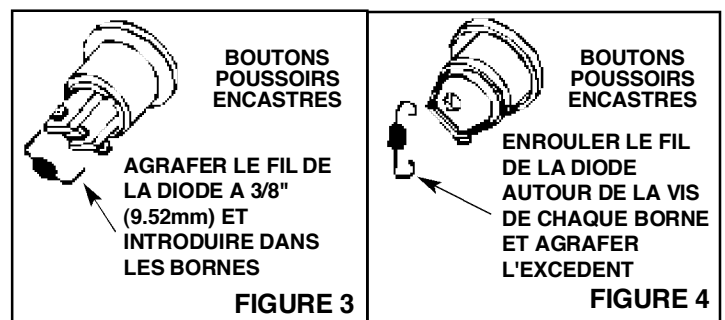


FIGURE 3

FIGURE 4

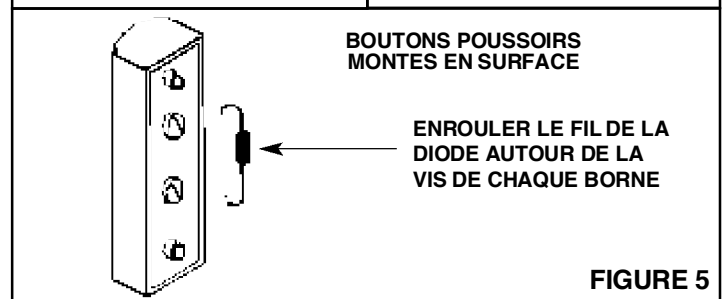


FIGURE 5

CARILLON MUSICAL "HARMONIE"
par NuTone Modèle LA 52

SELECTION DES MELODIES

1. Mettre les boutons sur les lettres et chiffres désirés.
2. Appuyer sur le bouton d'essai des mélodies.
3. Régler la tonalité, le tempo et le volume comme désiré.
4. Appuyer sur le bouton d'essai des mélodies de nouveau pour vérifier.

TUNE LIST		
1A A Bicycle	5C In The Good	Old Summertime
Built for Two	1D I've Been Working	On The Railroad
2A Battle Hymn	2D Jingle Bells	3D La Cucaracha
Of the Republic	3D La Cucaracha	4D Oh! Dear, What
3A Dixie	4D Oh! Dear, What	Can The Matter Be?
4A 1812 Overture	5D Oh Tannenbaum	1E Shave And
5A For He's A	1E Shave And	A Haircut
Jolly Good Fellow	2E Twinkle Twinkle	Little Star
1B Frere Jacques	3E Westminster Chimes	(4-note)
2B Give My	4E Yankee Doodle	
Regards To Broadway		
3B Greensleeves		
4B Hail! Hail! The		
Gangs All Here		
5B Hallelujah Chorus		
1C Happy Birthday		
2C Hello, Ma Baby		
3C Home Sweet Home		
4C How Dry I Am		

1. Mettre les boutons sur les lettres et chiffres désirés.

2. Appuyer sur le bouton d'essai des mélodies de nouveau pour vérifier.

CARILLON MUSICAL
"HARMONIE" par
NuTone
Modèle LA 52

**SELECTION DES
MELODIES**

1. Mettre les boutons sur les lettres et chiffres désirés.

2. Appuyer sur le bouton d'essai des mélodies de nouveau pour vérifier.

3. Régler la tonalité, le tempo et le volume comme désiré.

4. Appuyer sur le bouton d'essai des mélodies de nouveau pour vérifier.

FIGURE 6

Download from Wwww.Somanuals.com. All Manuals Search And Download.

ACCESSOIRES OPTIONNELS

UTILISATION AVEC INTERPHONE RADIO NUTONE

Vous pouvez brancher le LA-52 à un système d'interphone radio. Le signal du carillon LA-52 surpassera la communication radio mais ne changera pas la source musicale.

Suivez le diagramme de câblage qui s'adapte à votre système d'interphones. (Voir ci-dessous.) Brancher les fils (NuTone IW-2) aux bornes de tableau de branchement du LA-52 à l'intérieur du boîtier du carillon.

Pour ajuster le volume du LA-52 plus fort que l'interphone radio, utiliser un tournevis pour tourner un bouton juste en dessous des bornes de l'interphone sur le tableau de branchement.

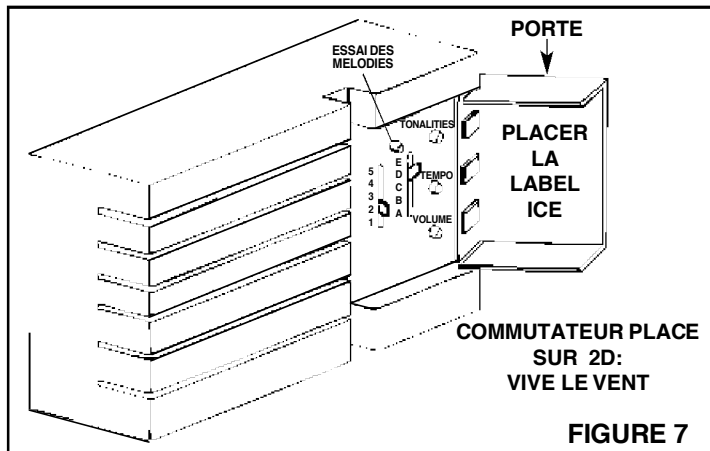
UTILISATION DU CARILLON MUSICAL AVEC UN HAUT-PARLEUR EXTERIEUR

Si un système de radio-interphone NuTone n'est pas installé et s'il est désirable d'entendre le carillon musical dans une autre partie de la maison, il est possible d'utiliser un haut-parleur extérieur. **Remarque: Il faut acheter séparément le haut-parleur extérieur de NuTone.**

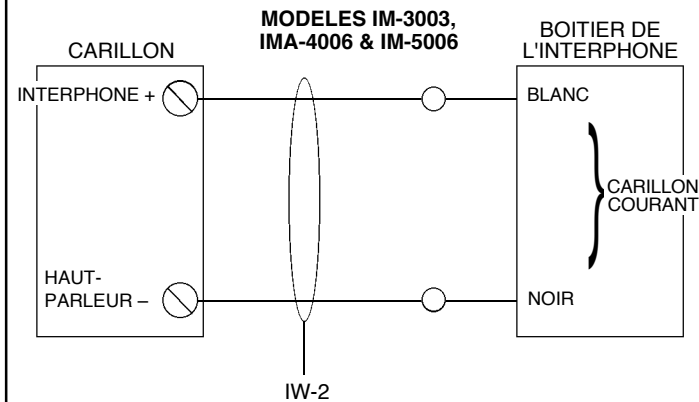
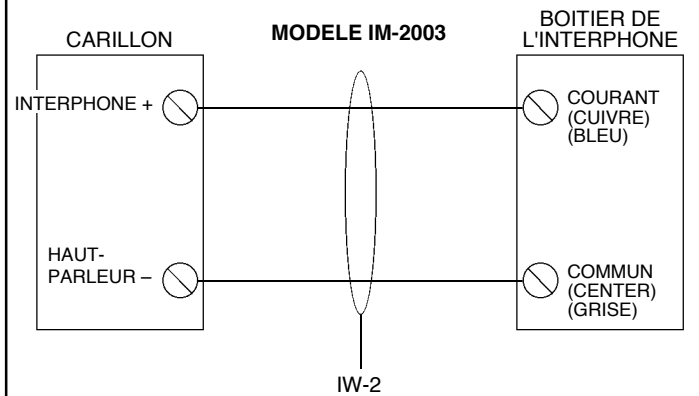
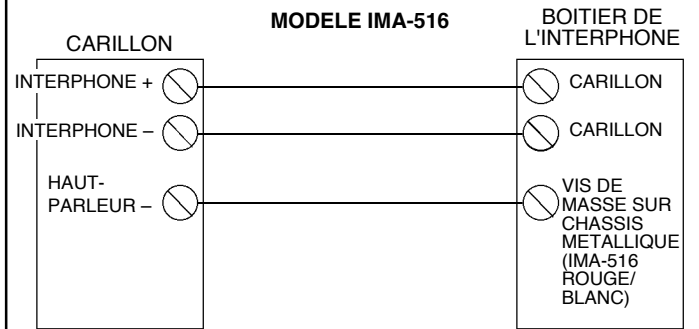
Utiliser un haut-parleur de surface s'il faut entendre le carillon musical dans une autre pièce.

Pour entendre le carillon musical à la porte d'entrée, utiliser à cet endroit un haut-parleur équipé d'un bouton-poussoir. **Remarque: Si on utilise un haut-parleur équipé d'un bouton poussoir, il faut installer une diode au bouton-poussoir.**

Brancher les bornes du haut-parleur sur la carte du carillon musical à SPKR + et SPKR - à l'intérieur du boîtier du carillon. Il n'est pas nécessaire de respecter la polarité. Brancher n'importe quel fil du haut-parleur sur n'importe quelle borne du carillon musical.



CABLAGE INTERPHONE-CARILLON



NuTone[®]

Garantie limitée d'un an

GARANTIE DU PROPRIÉTAIRE: NuTone garantie à l'acheteur original de ses produits que ces derniers seront exempts de tout défaut de matériaux et de fabrication pour une période d'un (1) an à compter de la date d'achat. **AUCUNE AUTRE GARANTIE, IMPLICITE OU EXPRESSE, N'EST DONNÉE, Y COMPRIS, MAIS SANS S'Y LIMITER, GARANTIE DE MARCHANDIBILITÉ OU D'ADAPTATION À UN USAGE PARTICULIER.**

Pendant cette période d'un an, NuTone procédera au remplacement ou à la réparation sans aucuns frais, mais à sa propre discrétion, de tout produit ou pièce jugé défectueux dans le cadre d'une utilisation normale. **CETTE GARANTIE NE VISE PAS LES DISPOSITIFS D'AMORÇAGE NI LES TUBES DES LUMINAIRES FLUORESCENTS.** Cette garantie ne couvre pas (a) l'entretien et le service courants ni (b) les produits et les pièces ayant fait l'objet d'un usage abusif, de négligence, d'un accident, d'un entretien ou d'une réparation non appropriée (par du personnel non autorisé par NuTone), d'une mauvaise installation ou d'une installation non conforme aux directives d'installation fournies.

La durée de toute garantie implicite est limitée à la période de deux ans précisée pour la garantie expresse. Certains états ne reconnaissent pas les restrictions relatives à la durée des garanties implicites; il se pourrait donc que cette restriction ne s'applique pas dans votre cas.

LE REMPLACEMENT OU LA RÉPARATION PAR NUTONE, À SA PROPRE DISCRÉTION, DE TOUT PRODUIT OU PIÈCE DÉFECTUEUX CONSTITUE LE SEUL REMÈDE DE L'ACHETEUR EN VERTU DE CETTE GARANTIE. NUTONE NE PEUT ÊTRE TENUE RESPONSABLE DES DOMMAGES INDIRECTS, CONSÉCUTIFS OU SPÉCIAUX ATTRIBUABLES À L'UTILISATION OU AU RENDEMENT DU PRODUIT. Certains états ne reconnaissent pas les restrictions ni les exclusions relatives aux dommages indirects, consécutifs ou spéciaux; il se pourrait donc que cette restriction ne s'applique pas dans votre cas. La présente garantie vous accorde des droits spécifiques, mais vous pourriez aussi avoir d'autres droits en fonction de l'état dans lequel vous résidez. Cette garantie remplace toute autre garantie donnée précédemment.

SERVICE SOUS GARANTIE Pour être admissible au service sous garantie, vous devez (a) aviser NuTone, à l'adresse fournie ci-dessous ou par téléphone au 1 800 543-3687, (b) fournir le numéro du modèle et la description de la pièce et (c) décrire la nature du défaut de la pièce ou du produit. Au moment de la demande de service sous garantie, vous devez fournir une preuve de la date d'achat originale.

Date d'installation

Entrepreneur ou installateur

N° de modèle et description du produit

POUR OBTENIR DE L'ASSISTANCE OU DU SERVICE:

Pour connaître le Centre de service NuTone autorisé indépendant le plus proche:

Résidents des États-Unis continentaux, composez le numéro sans frais: 1 800 543 8687

Garder à portée de la main le numéro du modèle, la date et la preuve d'achat, le type de problème.

Résidents de l'Alaska et d'Hawaii: Écrivez à NuTone Inc. Attn: Department of National Field Service, 4820 Red Bank Road, Cincinnati Ohio USA 45227-1599.

Résidents du Canada: Écrivez à Broan-NuTone Canada, 1140 Tristar Drive, Mississauga, Ontario Canada L5T 1H9.

Rev. 01/2005

NuTone[®]

Les caractéristiques peuvent être modifiées sans préavis

4820 Red Bank Road, Cincinnati, Ohio 45227
Imprimé aux E.-U., Rev. 01/07, Pièce no. 84316

Free Manuals Download Website

<http://myh66.com>

<http://usermanuals.us>

<http://www.somanuals.com>

<http://www.4manuals.cc>

<http://www.manual-lib.com>

<http://www.404manual.com>

<http://www.luxmanual.com>

<http://aubethermostatmanual.com>

Golf course search by state

<http://golfingnear.com>

Email search by domain

<http://emailbydomain.com>

Auto manuals search

<http://auto.somanuals.com>

TV manuals search

<http://tv.somanuals.com>