

VacPan™ Automatic Dustpan Inlet

MODEL: CI-365

READ INSTRUCTIONS BEFORE INSTALLATION

IMPORTANT NOTES:

1. For maximum clearance under cabinets use 2 1/2" X 3 1/2" short 90° elbow.
2. Check for an air tight seal at VacPan™ and elbow prior to installation.
3. If required, use Teflon tape to make air tight seal but do not use glue.
4. **Make certain clearance is available in kick space prior to installation under cabinets.**
5. Use central vacuum cover plate or double electrical blank plate for access cover when required.
6. **Allow 1/2" play in vacuum pipe at location of VacPan™ so that fitting connection can be lifted to install or remove VacPan™.**

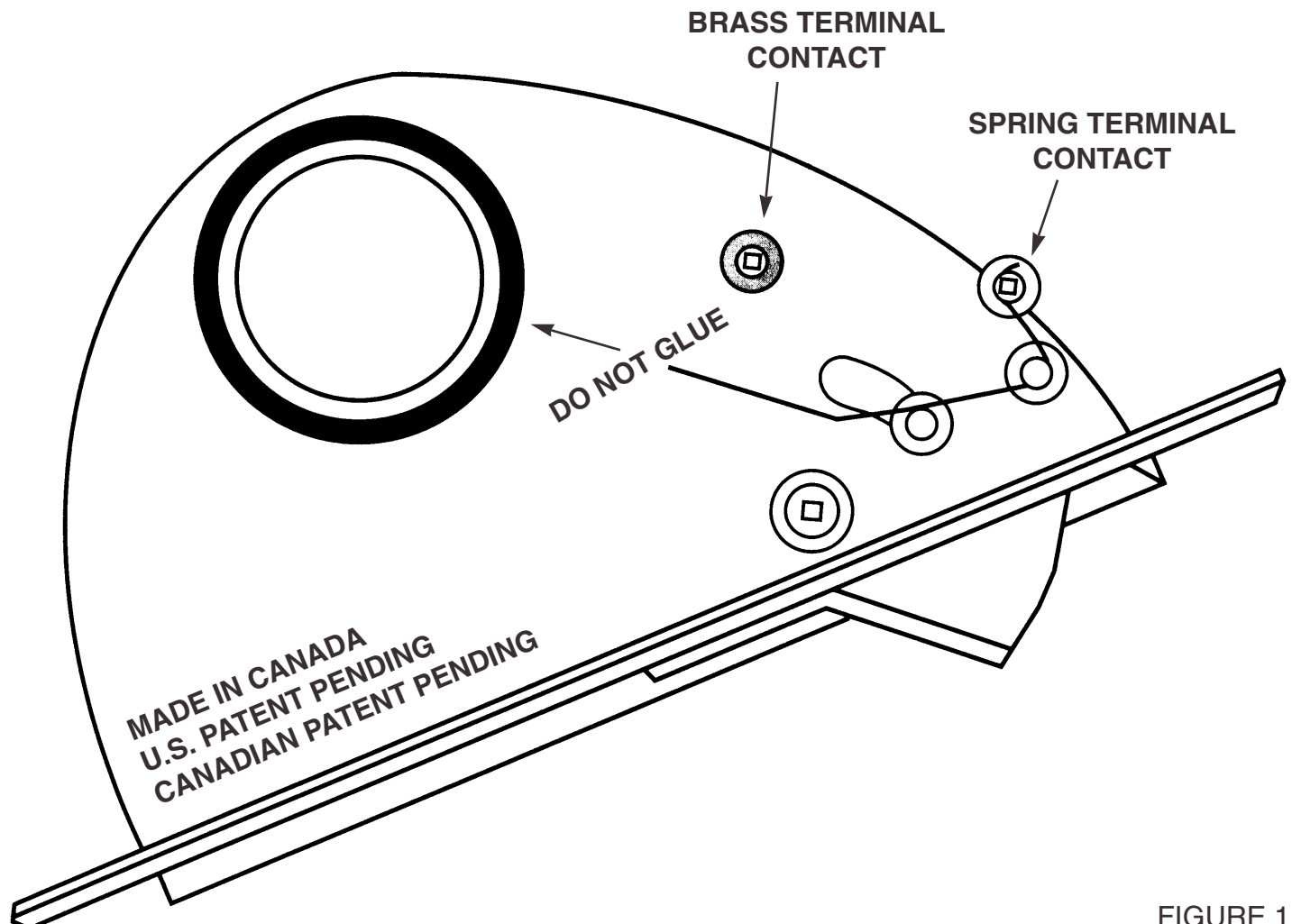


FIGURE 1

INSTALLATION

OPTION #1 - UNDER CABINET ACCESS TO PIPING FROM BELOW

Refer to Figure 2

1. Select a location under cabinet for VacPan™ (6) so that new fittings can be connected to existing pipe. Drill small reference hole under location of VacPan™ to determine position in basement or crawl space.
2. Using a hole saw, cut access hole (3) in floor under cabinet. Position access hole (3) so that final fittings (7) can be installed by reaching through access hole (3).
3. Cut 6 3/4" long slot along kick (4) of cabinet.
4. Make terminal connections (5).
5. Slide VacPan™ (6) into slot and secure using #6 painted wood screws provided.
6. Reach through access hole (3) and make final fitting connections (7).

IF ACCESS CANNOT BE MADE FROM BELOW

1. Rough-in pipe (8) through floor, **provide 1/2" play in pipe.**
2. Provide slack in low voltage lines for future connection.
3. Once cabinets are installed, cut access hole (13) and cover with *cover plate* (14). Reach through and make final connections as per previous installation.

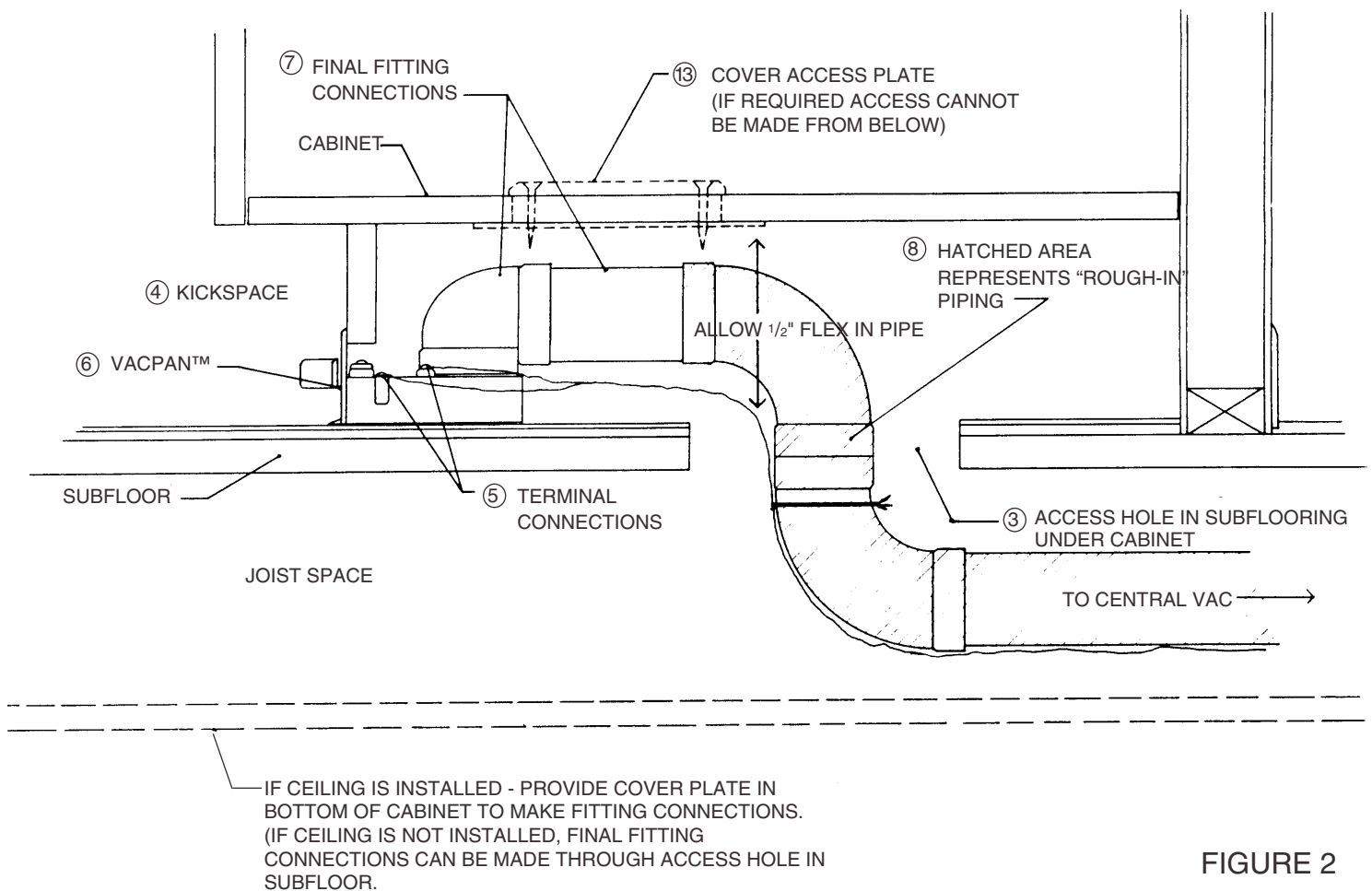


FIGURE 2

INSTALLATION

OPTION #2 - IN WALLS ALONG BASE BOARDS

Refer to Figure 3 (ACCESS TO PIPING FROM BELOW)

1. Locate studs (1) in the wall at the location VacPan™ will be installed.
2. VacPan™ should be located tight to one side in stud space.
3. Drill a small reference hole (2) through the floor under area of VacPan™. This will establish location from basement.
4. From below, use hole saw to remove wood floor and wood plate at location of VacPan™ between studs in wall cavity to provide access hole (3) from below.
5. Using a 1½" hole saw, remove a 6¾" long slot (4) in baseboard tight to one stud.

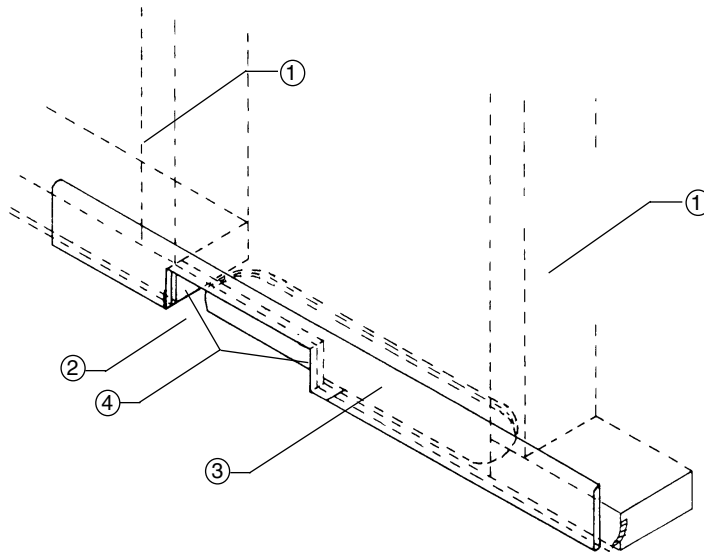


FIGURE 3

Refer to Figure 4

6. Make wire connections to brass terminal and sprig terminal screws (5).
7. Secure VacPan™ (6) to baseboard using #6 screws provided.
8. From below, reach through hole (3) in stud space and push elbow (7) onto VacPan™ (6).
9. Make piping connections (8) as required to tie into existing central vac piping.

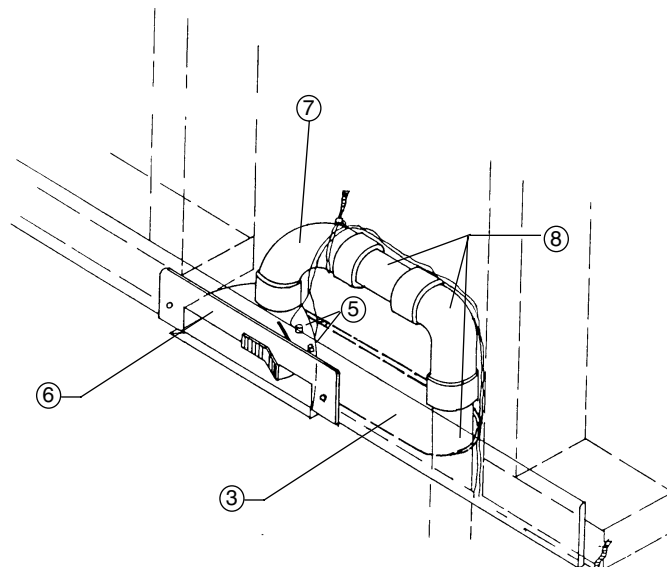


FIGURE 4

INSTALLATION

NEW HOME CONSTRUCTION

Refer to Figure 5

1. Cut out wall plate (9) between two studs at the location of VacPan™. Cut a 6 3/4" piece of wall plate and refasten to floor temporary rough-in block. (10) This will act as temporary rough-in block that will force all trades to finish around providing a slot in wall for installation of VacPan™. Make certain that screws (11) remain exposed so that block can be removed in the future.
2. **Flooring contractor must run flooring under block.**
3. Rough-in pipe and low voltage leads (12) to location of VacPan™ outlet. **Ensure final fitting is installed 1" off finished floor with 1/2" of play in piping to allow VacPan™ to be slid into position.**

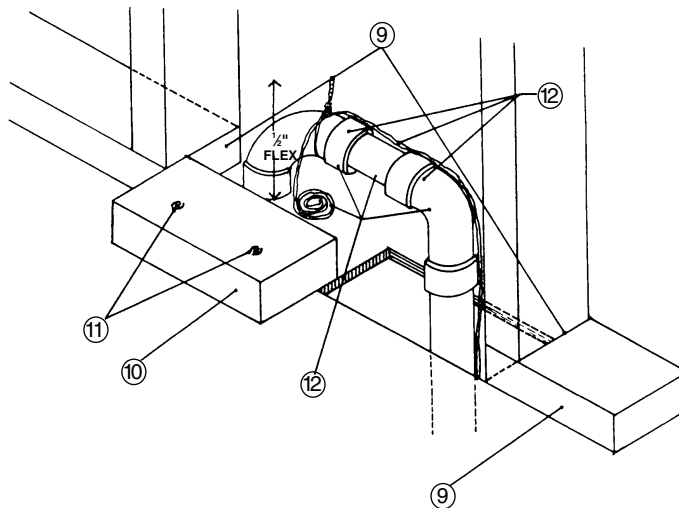


FIGURE 5

Refer to Figure 5

1. If ceiling is installed below and access to pipe is not possible, cut 2 3/4" X 4 1/2" access hole (13) in wall above VacPan™ (6). Reach through access hole, lift pipe and slide VacPan™ into position and push elbow onto VacPan™.
2. Cover access hole with cover plate (14).

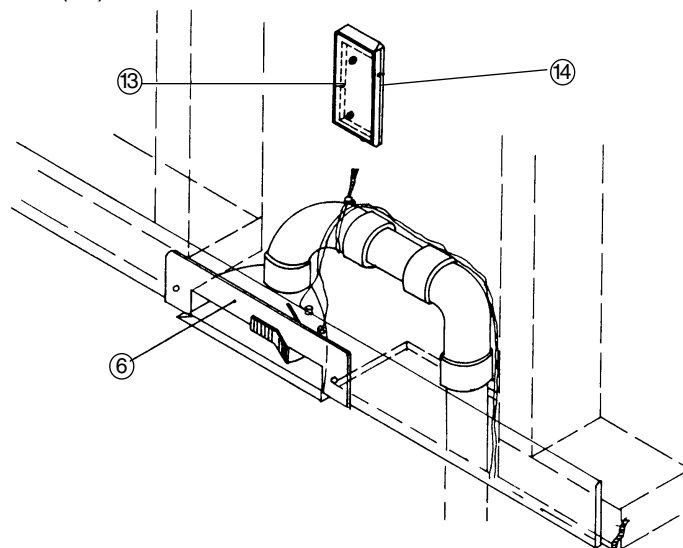


FIGURE 6

Product specifications subject to change without notice.

NuTone®

4820 Red Bank Road, Cincinnati, Ohio 45227
1140 Tristar Drive, Mississauga, Ontario, Canada L5T1H9
Printed in U.S.A., Rev. 3/02

Free Manuals Download Website

<http://myh66.com>

<http://usermanuals.us>

<http://www.somanuals.com>

<http://www.4manuals.cc>

<http://www.manual-lib.com>

<http://www.404manual.com>

<http://www.luxmanual.com>

<http://aubethermostatmanual.com>

Golf course search by state

<http://golfingnear.com>

Email search by domain

<http://emailbydomain.com>

Auto manuals search

<http://auto.somanuals.com>

TV manuals search

<http://tv.somanuals.com>