

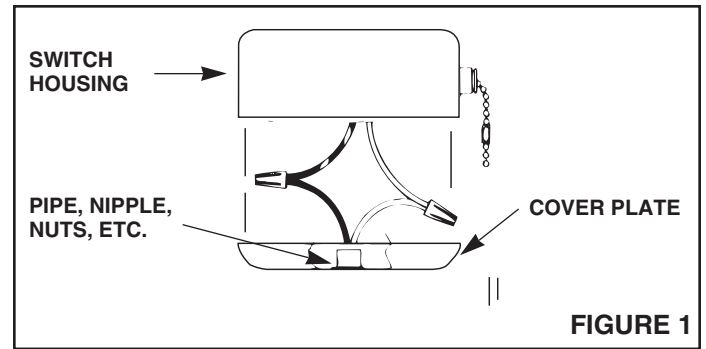
Ceiling Fan Light Kits

Models: PFLK-123 Series

IMPORTANT: These Ceiling Fan Light Kits are for use with NuTone Model PFOB-52 only.

CAUTION

- CAUTION** - To reduce the risk of fire and electrical shock, this light kit should be used only with NuTone fan model PFOB-52.
- Read entire instructions carefully before beginning installation.
- CAUTION** - To reduce the risk of electrical shock, disconnect the electrical supply circuit to the fan before installing the light kit.
- All wiring must be in accordance with national and local electrical codes. If you are unfamiliar with wiring, you should use a qualified electrician.



MAKING THE CONNECTIONS

NOTE: See fan instructions for connecting house wiring to the fan. Connect house wiring to the fan before attaching light kit to the fan. See wiring diagrams on back of this page, titled wiring wall switches.

- Refer to Figures 1.** Remove the cover plate from the bottom of the fan switch housing.
- Assemble the cover plate to the light kit as shown. Use the pipe nipple and nuts provided.
- Locate the two wires in the fan switch housing that have labels marked "Connect Light Here" or "For Light Use". One wire will be white and the second will be black or blue with or without white tracer. Connect these wires to the wires coming from the light kit. Assemble the light kit to the fan using the screws removed in step 1 (one) above. Re-assemble bottom cover and pendent to the fan. Proceed to completing the Installation.

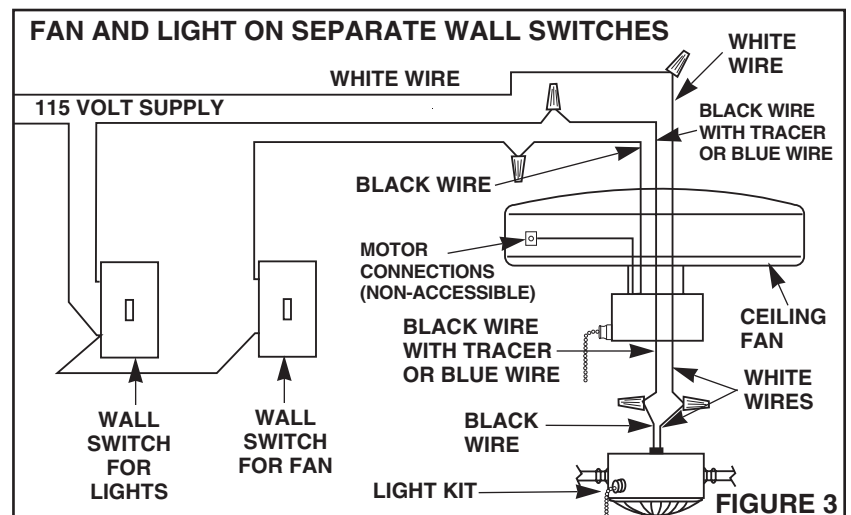
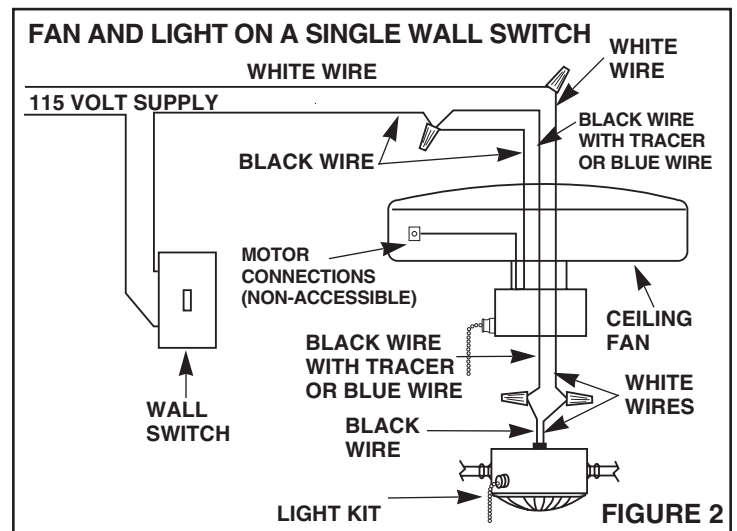
COMPLETING THE INSTALLATION

- Install (1) 100 watt maximum light bulb. Note: Refer to the guide for maximum size bulb that is printed on the light fixture.
- Should light shade begin to buzz, be certain all thumbscrews are tight.

WIRING WITH WALL SWITCHES

The Ceiling Fan and Light Kit can be connected through wall switches. This can be done in two ways. Select the type of control desired and wire the unit according to Figure 2 or Figure 3.

Use one wall switch to control both fan and light. Individual control of either fan or light is done with the pull chain switches. Or use two wall switches to individually control both fan and light – one for the fan and the second for the light. Pull chain switches on the fan do not have to be used.



If combined weight of light kit and ceiling fan exceeds 35 pounds, fan should be supported independently from the outlet box. Check the following list for the weight of the light kit.

Model Number
PFLK-123

Weight
3.4 lbs.

Refer to the Ceiling Fan Instruction Sheet for operating instructions.

NuTone®

Two Year Limited Warranty

WARRANTY OWNER: NuTone warrants to the original consumer purchaser of its products that such products will be free from defects in materials or workmanship for a period of two (2) years from the date of original purchase. **THERE ARE NO OTHER WARRANTIES, EXPRESS OR IMPLIED, INCLUDING, BUT NOT LIMITED TO, IMPLIED WARRANTIES OF MERCHANTABILITY OR FITNESS FOR A PARTICULAR PURPOSE.**

During this two year period, NuTone will, at its option, repair or replace, without charge, any product or part which is found to be defective under normal use and service. **THIS WARRANTY DOES NOT EXTEND TO FLUORESCENT LAMP STARTERS OR TUBES, FILTERS, DUCT, ROOF CAPS, WALL CAPS AND OTHER ACCESSORIES FOR DUCTING.** This warranty does not cover (a) normal maintenance and service or (b) any products or parts which have been subject to misuse, negligence, accident, improper maintenance or repair (other than by NuTone), faulty installation or installation contrary to recommended installation instructions.

The duration of any implied warranty is limited to the one year period as specified for the express warranty. Some states do not allow limitation on how long an implied warranty lasts, so the above limitation may not apply to you.

NUTONE'S OBLIGATION TO REPAIR OR REPLACE, AT NUTONE'S OPTION, SHALL BE THE PURCHASER'S SOLE AND EXCLUSIVE REMEDY UNDER THIS WARRANTY. NUTONE SHALL NOT BE LIABLE FOR INCIDENTAL, CONSEQUENTIAL OR SPECIAL DAMAGES ARISING OUT OF OR IN CONNECTION WITH PRODUCT USE OR PERFORMANCE. Some states do not allow the exclusion or limitation of incidental or consequential damages, so the above limitation or exclusion may not apply to you. This warranty gives you specific legal rights, and you may also have other rights, which vary from state to state. This warranty supersedes all prior warranties.

WARRANTY SERVICE: To qualify for warranty service, you must (a) notify NuTone at the address stated below or telephone 1/800-543-8687, (b) give the model number and part identification and (c) describe the nature of any defect in the product or part. At the time of requesting warranty service, you must present evidence of the original purchase date.

Date of Installation

Builder or Installer

Model No. and Product Description

IF YOU NEED ASSISTANCE OR SERVICE:

For the location of your nearest NuTone Independent Authorized Service Center:

Residents of the contiguous United States Dial Free 1-800-543-8687

Please be prepared to provide:

Product model number • Date and Proof of purchase • The nature of the difficulty

Residents of Alaska or Hawaii should write to: NuTone Inc. Attn: Department of National Field Service, 4820 Red Bank Road, Cincinnati Ohio 45227-1599.

Residents of Canada should write to: Broan-NuTone Canada, 1140 Tristar Drive, Mississauga, Ontario, Canada L5T 1H9.

Rev. 03/2001

NuTone®

Product specifications subject to change without notice.

4820 Red Bank Road, Cincinnati, Ohio 45227
Printed in Taiwan, Rev. 3/02, Part No. 89670

Free Manuals Download Website

<http://myh66.com>

<http://usermanuals.us>

<http://www.somanuals.com>

<http://www.4manuals.cc>

<http://www.manual-lib.com>

<http://www.404manual.com>

<http://www.luxmanual.com>

<http://aubethermostatmanual.com>

Golf course search by state

<http://golfingnear.com>

Email search by domain

<http://emailbydomain.com>

Auto manuals search

<http://auto.somanuals.com>

TV manuals search

<http://tv.somanuals.com>