

DESCRIPTION

LIGHT FIXTURE:

- Corrosion resistant finish
- Crackled finish
- Frosted glass shade
- Close mount design
- Uses two 60 Watt maximum, candelabra base bulbs. Bulbs not included.
- Vent openings in fixture base for exhaust fan
- Light fixture assembly is plug-in and removable

BLOWER:

- Plug-in permanently lubricated motor
- Polymeric blower wheel

HOUSING:

- Rugged, 26-gage galvanized steel construction
- Sturdy key-holed mounting brackets for quick, accurate installation
- Tapered, polymeric duct fitting with built-in backdraft damper for easy, positive duct connection and no metallic clatter

NOTE: For installation in flat ceilings only.

U.L. Listed for use in insulated ceilings (Type I.C.)

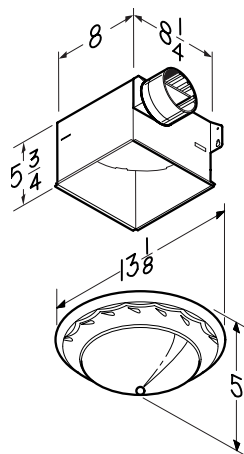
Use supply wiring rated for at least 90° C

SPECIFICATIONS

VOLTS	AMPS	CFM	SONES	DUCT
120	2.2	70	3.5	4" Round

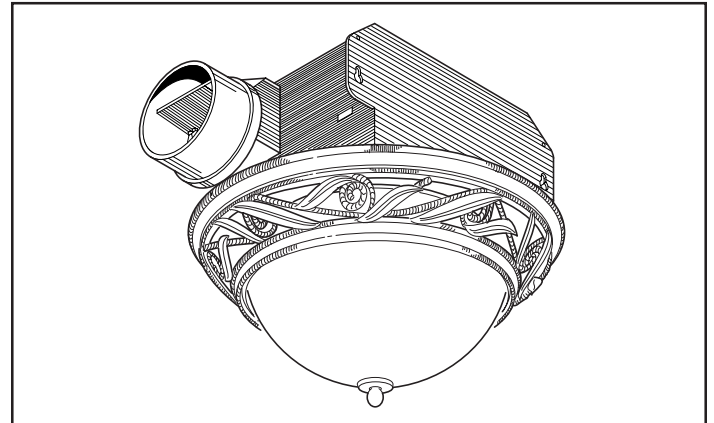


HVI-2100 CERTIFIED RATINGS comply with new testing technologies and procedures prescribed by the Home Ventilating Institute, for off-the-shelf products, as they are available to consumers. Product performance is rated at 0.1 in. static pressure, based on tests conducted in AMCA's state-of-the-art test laboratory. Sones are a measure of humanly-perceived loudness, based on laboratory measurements.



Decorative Light / Fan

MODEL 755NT



ARCHITECT'S SPECIFICATION

- Decorative Light/Fan unit shall be NuTone Model 755NT.
- Unit shall have galvanized steel housing with dual integral mounting brackets. It shall be ducted to a roof or wall cap.
- Blower assembly shall be removable and have a permanently lubricated motor.
- Light fixture assembly shall be plug-in, removable and include a frosted glass shade and a corrosion-resistant base with crackled finish.
- Lamps shall be two 60 Watt maximum, candelabra base, incandescent.
- Air delivery to be no less than 70 cfm and sound level no greater than 3.5 sones. Air and sound ratings shall be certified by HVI.
- Unit shall be U.L. Listed for use in insulated ceilings (Type I.C.)

INSTALLATION

Complete installation instructions are included with each Decorative Light / Fan.

NuTone, Inc., 4820 Red Bank Road, Cincinnati, OH 45227 (1-888-543-8687)

REFERENCE	QTY.	REMARKS	Project
			Location
			Architect
			Engineer
			Contractor
			Submitted by Date

50B 99043691A

Free Manuals Download Website

<http://myh66.com>

<http://usermanuals.us>

<http://www.somanuals.com>

<http://www.4manuals.cc>

<http://www.manual-lib.com>

<http://www.404manual.com>

<http://www.luxmanual.com>

<http://aubethermostatmanual.com>

Golf course search by state

<http://golfingnear.com>

Email search by domain

<http://emailbydomain.com>

Auto manuals search

<http://auto.somanuals.com>

TV manuals search

<http://tv.somanuals.com>