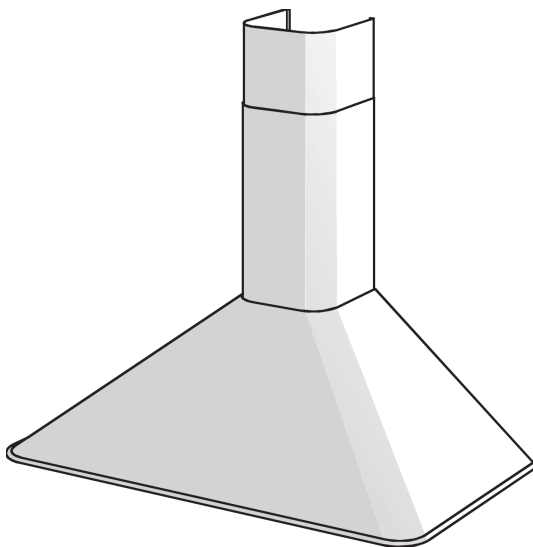


**NuTone** premier

# NP50000 Series



ENGLISH .....	2
FRANÇAIS .....	12
ESPAÑOL .....	22

Broan-NuTone LLC, 926 West State Street, Hartford, WI 53027  
NuTone, Inc., 4820 Red Bank Road, Cincinnati, OH 45227  
To Register this Product Visit [www.Nutone.com](http://www.Nutone.com)

# READ AND SAVE THESE INSTRUCTIONS

 **INTENDED FOR DOMESTIC COOKING ONLY** 

## **WARNING**

**TO REDUCE THE RISK OF FIRE, ELECTRIC SHOCK, OR INJURY TO PERSONS, OBSERVE THE FOLLOWING:**

1. Use this unit only in the manner intended by the manufacturer. If you have questions, contact the manufacturer at the address or telephone number listed in the warranty.
2. Before servicing or cleaning unit, switch power off at service panel and lock service panel to prevent power from being switched on accidentally. When the service disconnecting means cannot be locked, securely fasten a prominent warning device, such as a tag, to the service panel.
3. Installation work and electrical wiring must be done by a qualified person(s) in accordance with all applicable codes and standards, including fire-rated construction codes and standards.
4. Sufficient air is needed for proper combustion and exhausting of gases through the flue (chimney) of fuel burning equipment to prevent backdrafting. Follow the heating equipment manufacturer's guidelines and safety standards such as those published by the National Fire Protection Association (NFPA), and the American Society for Heating, Refrigeration and Air Conditioning Engineers (ASHRAE), and the local code authorities.
5. When cutting or drilling into wall or ceiling, do not damage electrical wiring and other hidden utilities.
6. Ducted fans must always be vented to the outdoors.
7. Do not use this unit with any separate solid-state speed control device.
8. To reduce the risk of fire, use only steel ductwork.
9. This unit must be grounded.

**TO REDUCE THE RISK OF A RANGE TOP GREASE FIRE:**

- A. Never leave surface units unattended at high settings. Boilovers cause smoking and greasy spillovers that may ignite. Heat oils slowly on low or medium settings.
- B. Always turn hood ON when cooking at high heat or when flambeing food (i.e. Crepes Suzette, Cherries Jubilee, Peppercorn Beef Flambe').
- C. Clean ventilating fans frequently. Grease should not be allowed to accumulate on fan or filter.
- D. Use proper pan size. Always use cookware appropriate for the size of the surface element.

## **WARNING**

**TO REDUCE THE RISK OF INJURY TO PERSONS IN THE EVENT OF A RANGE TOP GREASE FIRE, OBSERVE THE FOLLOWING:\***

1. **SMOTHER FLAMES** with a close-fitting lid, cookie sheet, or metal tray, then turn off the burner. **BE CAREFUL TO PREVENT BURNS.** If the flames do not go out immediately, **EVACUATE AND CALL THE FIRE DEPARTMENT.**
2. **NEVER PICK UP A FLAMING PAN** - You may be burned.
3. **DO NOT USE WATER**, including wet dishcloths or towels - violent steam explosion will result.
4. Use an extinguisher **ONLY** if:
  - A. You know you have a Class ABC extinguisher and you already know how to operate it.
  - B. The fire is small and contained in the area where it started.
  - C. The fire department is being called.
  - D. You can fight the fire with your back to an exit.

\* Based on "Kitchen Fire Safety Tips" published by NFPA.

## CAUTION

---

1. To reduce risk of fire and to properly exhaust air, be sure to duct air outside. Do not vent exhaust air into spaces within walls or ceilings or into attics, crawl spaces, or garages.
2. Take care when using cleaning agents or detergents.
3. Avoid using food products that produce flames under the Range Hood.
4. For general ventilating use only. Do not use to exhaust hazardous or explosive materials and vapors.
5. To avoid motor bearing damage and noisy and/or unbalanced impellers, keep drywall spray, construction dust, etc. off power unit.
6. Your hood motor has a thermal overload which will automatically shut off the motor if it becomes overheated. The motor will restart when it cools down. If the motor continues to shut off and restart, have the hood serviced.
7. For best capture of cooking impurities, the bottom of the hood should be a minimum of 24" and a maximum of 30" above the cooking surface.
8. Two installers are recommended because of the large size and weight of this hood.
9. This product is equipped with a thermostat which may start blower automatically. To reduce the risk of injury and to prevent power from being switched on accidentally, switch power off at service panel and lock or tag service panel.
10. Please read specification label on product for further information and requirements.

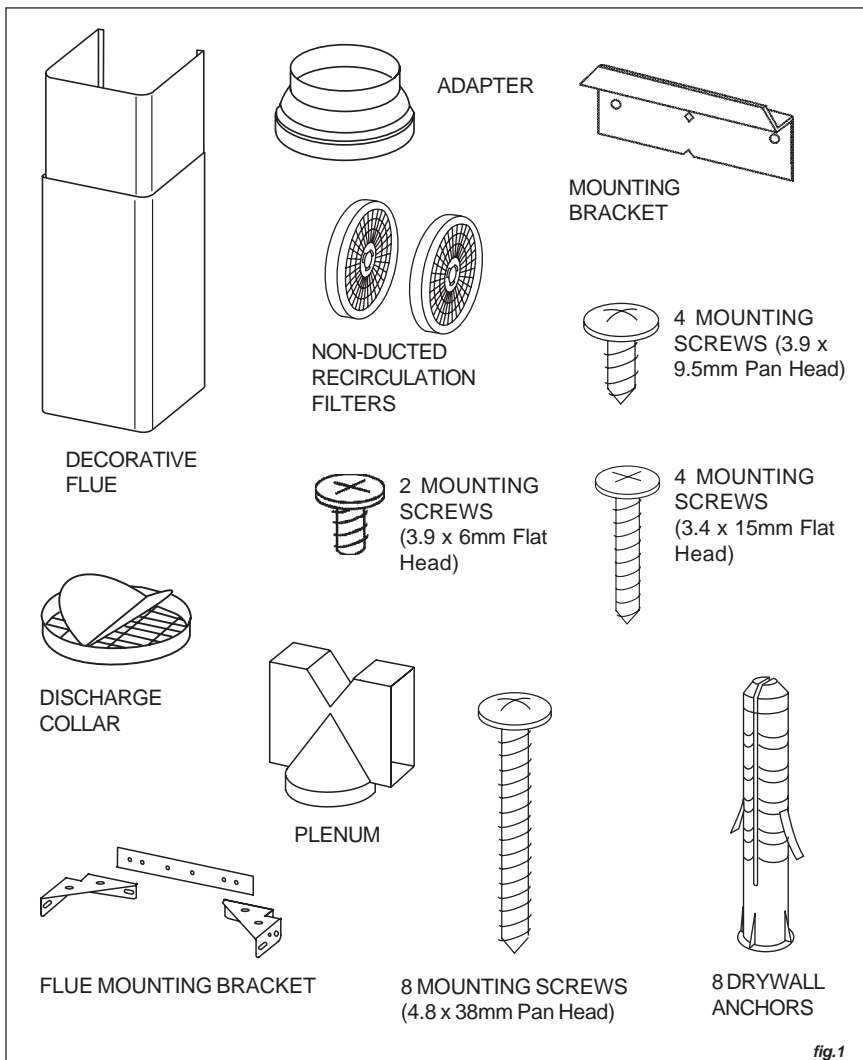
## PREPARE THE HOOD

Unpack hood and check contents.

You should receive:

- 1 - Hood
- 1 - Decorative Flue Assembly
- 1 - Adapter
- 2 - Non-ducted recirculation filters
- 1 - Parts Bag (B080810471) containing:
  - 1 - Mounting Bracket
  - 1 - Discharge Collar
  - 1 - Flue Mounting Bracket

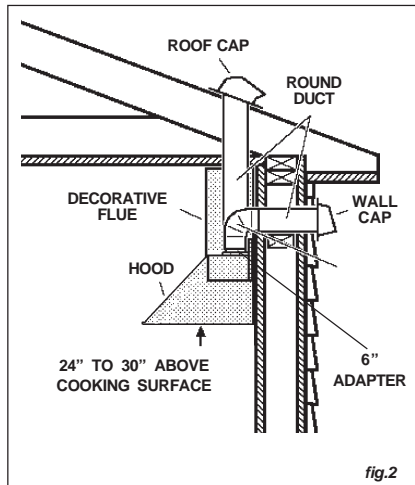
- 8 - Mounting Screws (4.8 x 38mm Pan Head)
- 4 - Mounting Screws (3.9 x 9.5mm Pan Head)
- 8 - Drywall Anchors
- 1 - Plenum
- 4 - Mounting Screws (3.4 x 15mm Flat Head)
- 2 - Mounting Screws (3.9 x 6mm Flat Head)
- 1 - Installation Instructions



## INSTALL THE DUCTWORK (DUCTED HOODS ONLY)

**NOTE:** To reduce the risk of fire, use only metal ductwork.

1. Decide where the ductwork will run between the hood and the outside.
2. A straight, short duct run will allow the hood to perform most efficiently.
3. Long duct runs, elbows, and transitions will reduce the performance of the hood. Use as few of them as possible. Larger ducting may be required for best performance with longer duct runs.
4. Install a roof or wall cap. Connect round metal ductwork to cap and work back towards hood location. Use duct tape to seal the joints between ductwork sections.

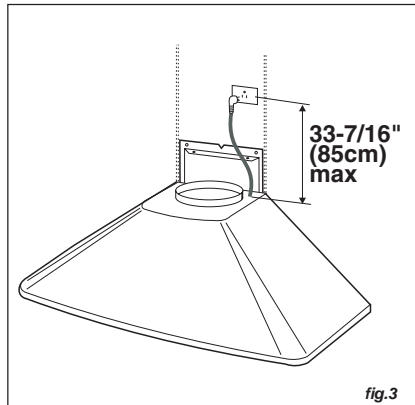


## WIRING

**Note:** This range hood must be properly grounded. The unit should be installed by a qualified electrician in accordance with all applicable national and local electrical codes.

### GROUNDING INSTRUCTIONS

This appliance must be grounded. In the event of an electrical short circuit, grounding reduces the risk of electric shock by providing an escape wire for the electric current. This appliance is equipped with a cord having a grounding wire with a grounding plug. The plug must be plugged into an outlet that is properly installed and grounded.



**WARNING** - Improper grounding can result in a risk of electric shock.

Consult a qualified electrician if the grounding instructions are not completely understood, or if doubt exists as to whether the appliance is properly grounded.

Do not use an extension cord. If the power supply cord is too short, have a qualified electrician install an outlet near the appliance.

Set the electrical power supply within the space covered by the decorative flues.

Position the power socket at a maximum distance of 33-7/16" (850 mm) from where the lead exits from the hood (see illustration alongside). Make sure this does not interfere with the bracket fastening area or with the decorative pipe (where the flue touches the wall).

Fit the plug into the power socket.

## INSTALL MOUNTING BRACKET

1. Construct wood wall **framing** that is **flush** with interior surface of wall studs.  
Make sure:
  - a) the framing is centered over installation location.
  - b) the height of the framing will allow the **mounting bracket** to be secured to the framing within the dimensions shown.
2. After wall **surface** is finished, secure mounting bracket to framing using dimensions shown.

### NOTE:

- On 8' ceilings, the hood distance above cook top is :  
minimum 24", maximum 28" (for Ducted Configuration).  
minimum 24", maximum 27" (for Non-Ducted Configuration).

- On 9' ceilings, the hood distance above cook top is :  
- minimum 28", maximum 30" (the air vents on the upper flue will be exposed after installation).

## INSTALL FLUE MOUNTING BRACKET

### DUCTED AND NON-DUCTED

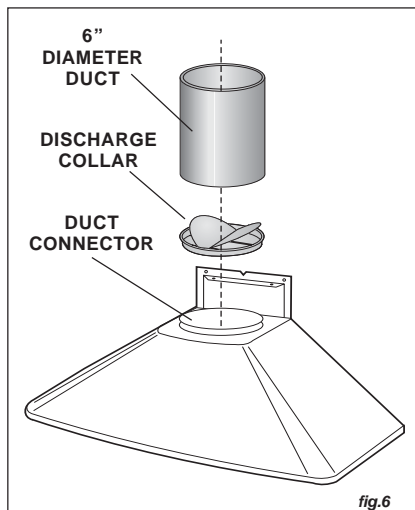
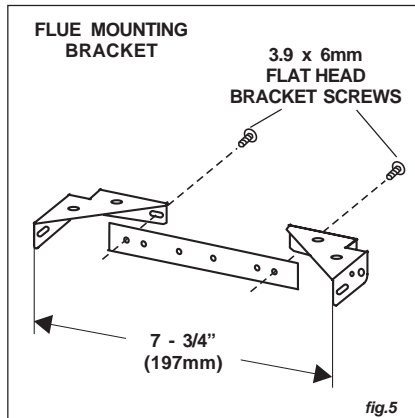
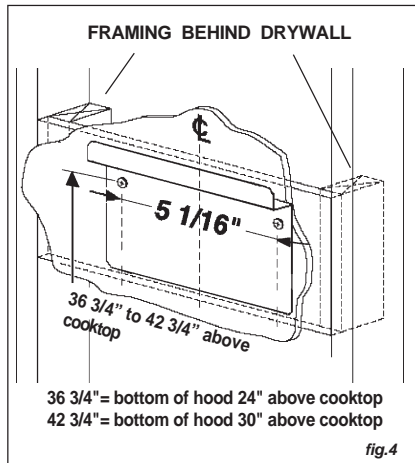
1. Assemble the flue mounting bracket, adjusting outside width as shown. Fig.5
2. **Carefully** center the mounting bracket directly over the range hood location.
3. Secure the bracket assembly to the ceiling using (2) 4.8x38mm mounting screws and drywall anchors. Make sure the bracket is pushed into the corner, tight against the wall and centered over the hood.

## PREPARE THE HOOD

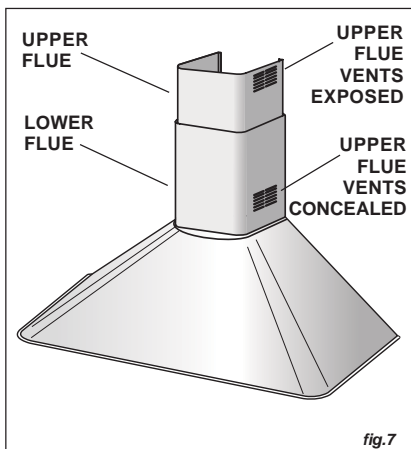
**Note:** On stainless steel hoods, carefully remove the plastic protective film from all exterior surfaces of the hood and decorative flues, prior to final installation.

### DUCTED CONFIGURATION

1. Install the discharge collar into the duct connector of the range hood. Fig.6



2. Attach an adequate length of 6" round steel ducting to the range hood duct connector. Fig.6
3. Duct tape all joints to make them secure and air tight.
4. Carefully place the lower decorative flue into the recessed area of the range hood top. Fig. 7
5. Carefully slide the upper decorative flue down inside the lower flue. Fig. 7



## PREPARE THE HOOD

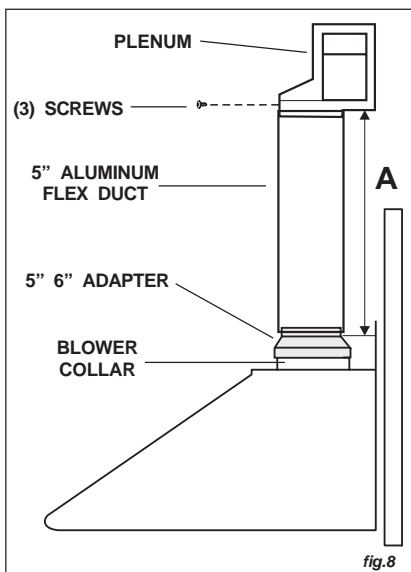
### NON - DUCTED CONFIGURATION

**Note: The following materials must be purchased separately for non-ducted recirculation installations.**

- 5" diameter expandable / flexible aluminum duct.
- 1/16" diameter twist drill.

**CAUTION: Do not use plastic or rigid metal ducting.**

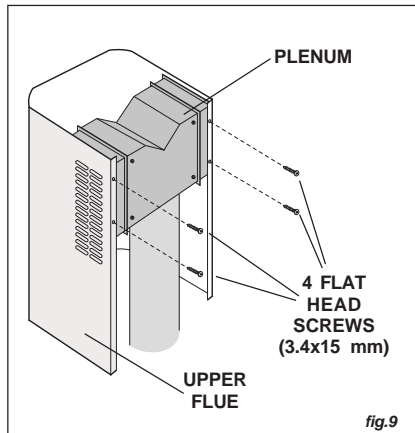
1. Discard discharge collar and damper supplied with the hood. Install the 5" to 6" adapter (supplied).
2. Measure the distance "A"
3. Attach aluminum flexible duct to the 5" adapter. Tape all joints with duct tape. Fig.8
4. Assemble the recirculation plenum to the flexible duct. Fig.8
5. Drill three (3) 1/16" diameter equally spaced holes through the duct and duct connector of the recirculation plenum. Fig.8
6. Secure duct to the plenum's connector with (3) sheet metal screws. Tape all joints with duct tape. Fig.8



## PREPARE THE HOOD

### NON - DUCTED CONFIGURATION, cont'd.

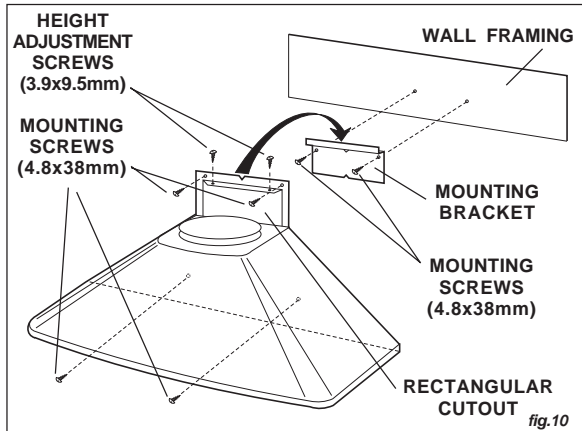
- Carefully place the lower decorative flue into the recessed area of the range hood top. Fig.7
- Carefully slide the upper decorative flue down inside the lower flue.  
Note: air vents must be up. Fig.7
- Secure the recirculation plenum to the upper flue with (4) flat head screws. Fig.9



## INSTALL THE HOOD

Note: at least two people will be required to mount the hood.

- Raise the hood into its mounting position.
- Plug the power cord into the electric wall receptacle. Tuck excess cord behind the flue.
- Align the rectangular opening on the back of the hood with the wall-mounting bracket. Gently lower the hood until it securely engages the bracket. Fig.10



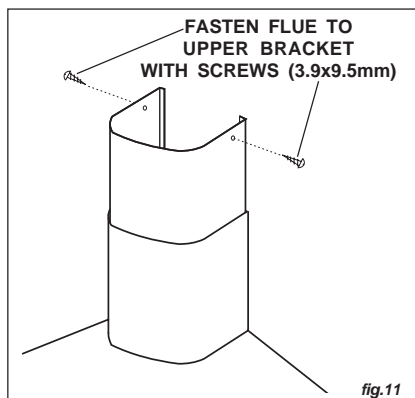
- Level the hood.

**Height adjustment screws** provide vertical adjustment.

Secure the hood with **mounting screws** (4.8x38mm). Use drywall anchors, provided, if wall studs or framing are not available.

Secure with (2) mounting screws (4.8x38mm). Use drywall anchors provided if wall studs or framing are not available. Fig.10

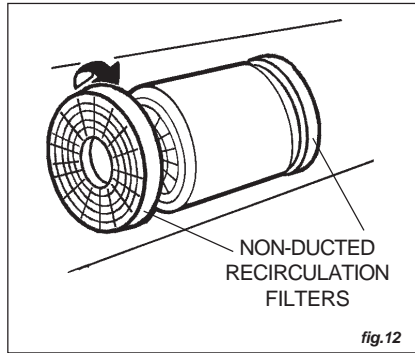
- Raise the upper flue until its holes align with holes in the flue mounting bracket (located on ceiling). Fig.11
- Secure the flue with (2) mounting screws (3.9x9.5mm). Fig.11





## NON-DUCTED RECIRCULATION FILTERS INSTALLATION

1. Non-ducted recirculation filters (B03300487) is included.
2. Position the filters over the blower.
3. Rotate to lock filters in place.



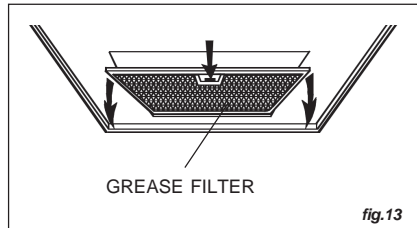
## MAINTENANCE

Proper maintenance of the Range Hood will assure proper performance of the unit.

### **Grease Filter**

The **grease filter** should be cleaned frequently. Use a warm detergent solution. Grease filter is dishwasher safe.

Remove filter by pushing filter towards the back of hood and rotating filter downward.



### **Non-ducted recirculation filters**

The non-ducted recirculation filters should be changed every 6 months. Rotate the filters to remove and replace.

### **Hood Cleaning**

Stainless steel is one of the easiest materials to keep clean. Occasional care will help preserve its fine appearance.

Cleaning tips:

- Hot water with soap or detergent is all that is usually needed.
  - Follow all cleaning by rinsing with clear water. Wipe dry with a clean, soft cloth to avoid water marks.
  - For discolorations or deposits that persist, use a non-scratching household cleanser or stainless steel polishing powder with a little water and a soft cloth.
  - For stubborn cases, use a plastic scouring pad or soft bristle brush together with cleanser and water. Rub lightly in direction of polishing lines or "grain" of the stainless finish. Avoid using too much pressure which may mar the surface.
  - **DO NOT** allow deposits to remain for long periods of time.
  - **DO NOT** use ordinary steel wool or steel brushes. Small bits of steel may adhere to the surface causing rust.
  - **DO NOT** allow salt solutions, disinfectants, bleaches, or cleaning compounds to remain in contact with stainless steel for extended periods. Many of these compounds contain chemicals which may be harmful. Rinse with water after exposure and wipe dry with a clean cloth.
- Painted surfaces should be cleaned with warm water and mild detergent only.

## OPERATION

### Controls

The hood is operated using the slide controls under the bottom of the hood.

The **light switch** turns the lamps on and off. The **blower switch**: makes it possible to select the motor operating speed.

Position 0: motor off.

The **pilot lamp** lights up whenever the blower is on.

### HEAT SENTRY™

Your hood is equipped with a HEAT SENTRY™ thermostat. This thermostat is a device that will turn on or speed up the blower if it senses excessive heat above the cooking surface.

- 1) If blower is OFF - it turns blower ON to HIGH speed.
- 2) If blower is ON at a lower speed setting - it turns blower up to HIGH speed.

When the temperature level drops to normal, the blower will return to its original setting.

### WARNING

The HEAT SENTRY thermostat can start the blower even if the hood is turned OFF. When this occurs, it is impossible to turn the blower OFF with its switch. If you must stop the blower, do it from the main electrical panel.

## LIGHT BULBS

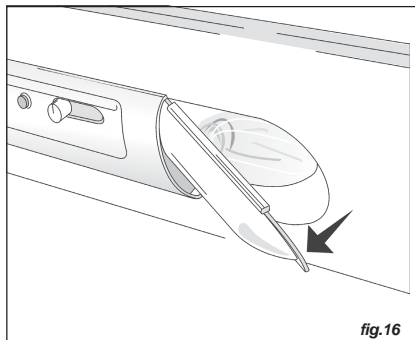
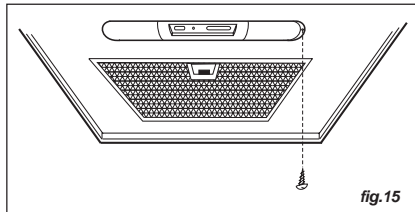
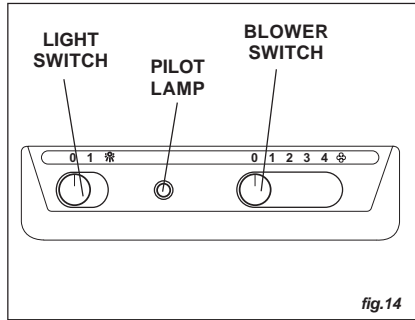
This range hood requires two 40-Watt light bulbs (included).

**ALWAYS SWITCH OFF THE ELECTRICITY SUPPLY BEFORE CARRYING OUT ANY OPERATIONS ON THE APPLIANCE.**

To change bulbs:

1. Remove the screw securing the light fitting.
2. Pull down lens to remove.
3. Replace with light bulbs of the same type.

CAUTION: BULB MAY BE HOT!



# WARRANTY

---

## **BROAN-NUTONE LLC ONE YEAR LIMITED WARRANTY**

Broan-NuTone LLC warrants to the original consumer purchaser of its products that such products will be free from defects in materials or workmanship for a period of one year from the date of original purchase. THERE ARE NO OTHER WARRANTIES, EXPRESS OR IMPLIED, INCLUDING, BUT NOT LIMITED TO, IMPLIED WARRANTIES OR MERCHANT ABILITY OR FITNESS FOR A PARTICULAR PURPOSE.

During this one-year period, Broan-NuTone LLC will, at its option, repair or replace, without charge, any product or part which is found to be defective under normal use and service.

THIS WARRANTY DOES NOT EXTEND TO FLUORESCENT LAMP STARTERS, TUBES, HALOGEN AND INCANDESCENDT BULBS. This warranty does not cover (a) normal maintenance and service or (b) any products or parts which have been subject to misuse, negligence, accident, improper maintenance or repair (other than by Broan-NuTone LLC), faulty installation or installation contrary to recommended installation instructions.

The duration of any implied warranty is limited to the one-year period as specified for the express warranty. Some states do not allow limitation on how long an implied warranty lasts, so the above limitation may not apply to you.

BROAN-NUTONE LLC'S OBLIGATION TO REPAIR OR REPLACE, AT BROAN-NUTONE LLC'S OPTION, SHALL BE THE PURCHASER'S SOLE AND EXCLUSIVE REMEDY UNDER THIS WARRANTY. BROAN-NUTONE LLC SHALL NOT BE LIABLE FOR INCIDENTAL, CONSEQUENTIAL OR SPECIAL DAMAGES ARISING OUT OF OR IN CONNECTION WITH PRODUCT USE OR PERFORMANCE. Some states do not allow the exclusion or limitation of incidental or consequential damages, so the above limitation or exclusion may not apply to you.

This warranty gives you specific legal rights, and you may also have other rights, which vary from state to state. This warranty supersedes all prior warranties.

To qualify for warranty service, you must (a) notify Broan-NuTone LLC at the address stated below or telephone: 1-800-637-1453, (b) give the model number and part identification and (c) describe the nature of any defect in the product or part. At the time of requesting warranty service, you must present evidence of the original purchase date.

**Broan-NuTone LLC.** 926 West State Street, Hartford, WI 53027 (1-800-637-1453)  
**NuTone, Inc.,** 4820 RedBank Road, Cincinnati, OH 45227 (1-800-543-8687)

# LISEZ ET CONSERVEZ CES INSTRUCTIONS

 **SEULEMENT POUR UTILISATION DOMESTIQUE** 

## **AVERTISSEMENTS**

**POUR REDUIRE LES RISQUES D'INCENDIE, DE DECHARGES ELECTRIQUES OU DE DOMMAGES AUX PERSONNES, OBSERVEZ LES INSTRUCTIONS SUIVANTES:**

1. N'utilisez cet appareil que comme cela est indiqué par le constructeur. Si vous avez des problèmes, contactez le fabricant à l'adresse ou au numéro de téléphone indiqués dans la garantie.
2. Avant de pouvoir à l'entretien ou au nettoyage de votre appareil, éteignez-le au tableau des commandes ou bloquez le tableau des commandes afin d'éviter de le mettre en marche accidentellement. Si vous ne pouvez pas bloquer le système permettant d'éteindre votre appareil, appliquez un avertissement extérieur d'une façon sûre, comme par exemple un panneau, sur le tableau des commandes.
3. L'assemblage et la connexion électrique doivent être faits par des personnes qualifiées en respectant les normes et règlements en vigueur, y compris les normes et règlements concernant les possibilités d'incendie.
4. Il est indispensable qu'il y ait suffisamment d'air pour que la combustion et l'évacuation des gaz à travers le tuyau du brûleur du combustible ait lieu sans retour de flamme. Suivez les indications données par le fabricant du brûleur ainsi que les normes de sécurité comme celles qui sont publiées par l'Association Nationale pour la Protection contre les Incendies National Fire Protection Association (NFPA) et la American Society for Heating, Refrigeration and Air Conditioning Engineers (ASHRAE), et les autorités locales en matière de normes.
5. Quand vous coupez ou percez des trous dans le mur ou le plafond, n'abîmez pas les fils électriques ou autres.
6. Le ventilateur canalisé doit toujours évacuer l'air vers l'extérieur.
7. N'utilisez pas cet appareil avec un appareil contrôlant la vitesse à état solide.
8. Afin de diminuer tout risque d'incendie n'utilisez que des conduits en métal.
9. Votre appareil doit être relié à la terre.

**ATTENTION - POUR REDUIRE LES RISQUES D'INCENDIE DES MATIERES GRASSES QUI SONT EN TRAIN DE CUIRE:**

- A. Ne laissez jamais ni vos éléments chauffants, ni vos casseroles ou poêles sur le feu sans les contrôler si vous réglez l'apport de chaleur sur une position élevée. Si vos casseroles ou poêles débordent cela provoque de la vapeur et des éclaboussures de graisse qui peuvent prendre feu. Chauffez les huiles lentement à feu bas ou moyen.
- B. Faites toujours fonctionner votre hotte quand vous cuisez à des températures élevées ou quand vous cuisinez des plats flambés. (par ex. crêpes Suzette, Cerises "Jubilé", Steak au poivre flambé).
- C. Nettoyez régulièrement les ailes de vos ventilateurs. Ne permettez pas que la graisse s'accumule sur le ventilateur ou sur le filtre.
- D. Utilisez des casseroles de taille appropriée. Utilisez toujours des ustensiles de cuisson dont la taille est appropriée à la surface de votre élément de cuisson.

## **AVERTISSEMENTS**

**POUR REDUIRE LES RISQUES DE DOMMAGES AUX PERSONNES AU CAS OÙ VOTRE CUISINIÈRE PRENDRAIT FEU, OBSERVEZ LES INSTRUCTIONS SUIVANTES:\***

1. **ETEINDRE LES FLAMMES** à l'aide d'un couvercle le plus hermétique possible, une plaque à gâteaux, ou un plateau en métal, puis éteindre le brûleur. **ATTENTION à NE PAS VOUS BRÛLER.** Si les flammes ne s'éteignent pas immédiatement, **SORTEZ ET APPELEZ LES POMPIERS.**
2. **NE PRENEZ JAMAIS EN MAIN UNE POÊLE OU UNE CASSEROLE QUI A PRIS FEU** - Vous pourriez vous brûler.
3. **N'UTILISEZ PAS D'EAU,** ni torchons ou serviettes mouillés - vous provoqueriez une violente explosion de vapeur.

4. Utilisez un extincteur SEULEMENT si:
    - A. Vous savez que vous avez un extincteur Classe ABC, et vous en connaissez déjà le mode d'emploi.
    - B. Ce n'est pas un très gros incendie et qu'il se limite à l'endroit où il a explosé.
    - C. Vous êtes en train d'avertir les pompiers.
    - D. Vous avez la possibilité d'essayer d'éteindre l'incendie en ayant le dos tourné vers une issue.
- \* D'après les "Suggestions concernant la Sécurité contre les incendies des cuisines" publiées par NFPA.

## ATTENTION

---

1. Pour réduire tout risque d'incendie et pour évacuer correctement l'air, assurez-vous de prévoir un conduit de ventilation extérieur. Ne videz pas l'air dans les espaces limités par des murs ou des plafonds, les combles, les passages étroits ou les garages.
2. Faites très attention quand vous utilisez des produits de nettoyage ou des détergents.
3. Évitez d'utiliser des aliments pouvant s'enflammer sous la Range Hood.
4. N'utilisez cet appareil que pour une ventilation générale. Ne l'utilisez pas pour évacuer des matières ou des vapeurs dangereuses ou qui peuvent exploser.
5. Pour éviter de causer des dommages au moteur et de rendre les rotors bruyants et/ou non équilibrés, évitez que les sprays pour murs secs, la poussière de construction entrent en contact avec la partie électrique.
6. Le moteur de votre hotte a un thermostat qui éteindra automatiquement le moteur s'il est surchauffé. Le moteur se remettra en marche lorsqu'il se sera refroidi. Si le moteur continue à s'éteindre et à se remettre en marche, faites vérifier votre hotte.
7. Pour mieux capturer les impuretés de cuisine, le bas de votre hotte devrait être à une distance minimum de 24" et à une distance maximum de 30" au-dessus du plan de cuisson.
8. Vu que cette hotte est grande et lourde, il est recommandé de confier l'installation de cette hotte à deux personnes.
9. Ce produit est doté d'un thermostat qui active automatiquement le moteur. Pour réduire le risque de dommages et éviter l'activation accidentelle, positionner l'interrupteur du panneau de service sur la position OFF et bloquer le panneau de service ou mettre un avertissement externe, par exemple une plaquette.
10. Nous vous recommandons de lire l'étiquette indiquant les caractéristiques de votre hotte pour de plus amples informations et exigences.

## PREPAREZ LA HOTTE

Enlever la hotte dans l'emballage et contrôler le contenu.

Vous devez recevoir :

- 1 - Hotte
- 1 - Conduit décoratif
- 1 - Adaptateur
- 2 - Filtres version recyclant l'air
- 1 - Sachet (B080810471) avec:
  - 1 - Étrier d'assemblage
  - 1 - Collier d'évacuation
  - 1 - Étrier de support

- 8 - Vis d'assemblage (4.8 x 38mm Tête ronde)
- 4 - Vis d'assemblage (3.9 x 9.5mm Tête ronde)
- 8 - Chevilles
- 1 - Espacement
- 4 - Vis d'assemblage (3.4 x 15mm Tête plate)
- 2 - Vis d'assemblage (3.9 x 6mm Tête plate)
- 1 - Instructions pour l'installation

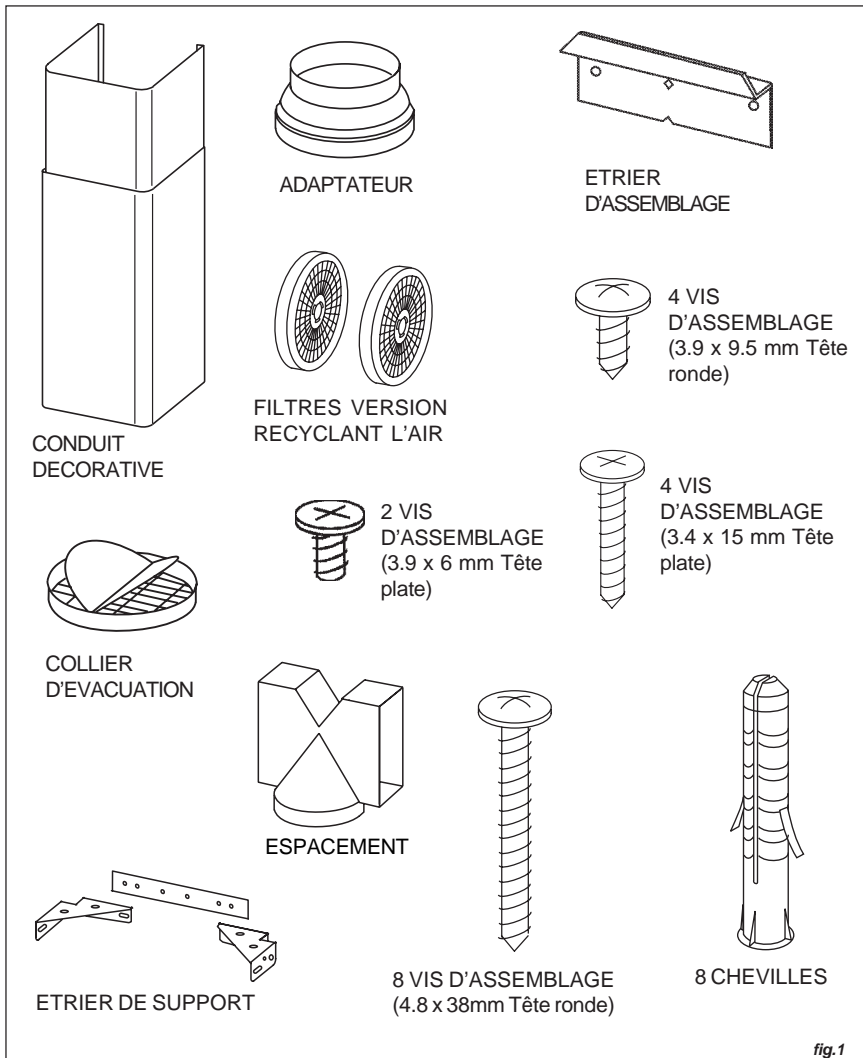
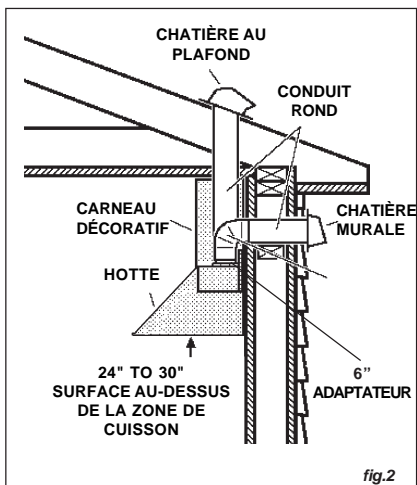


fig.1

## INSTALLATION DES CONDUITS (UNIQUEMENT POUR LES HOTTES CARÉNÉES)

**REMARQUE: pour réduire les risques d'incendie, utilisez uniquement des conduits métalliques.**

1. Choisissez l'endroit où passera le conduit pour relier la hotte à l'extérieur.
2. Un conduit court et droit permet un meilleur rendement de la hotte.
3. En revanche, les longs conduits formant des coudes et plusieurs sections réduisent ses performances. Utilisez le nombre le plus réduit possible de conduits. Il peut être nécessaire d'utiliser des conduits plus larges pour améliorer le rendement des conduits longs.
4. Installez une chatière au plafond ou sur le mur. Reliez le conduit en métal à la chatière et déroulez la gaine jusqu'à l'emplacement de la hotte.  
À l'aide du ruban du conduit, reliez les différentes sections du conduit.



## INSTALLATION ELECTRIQUE

**Remarque: Ce modèle de hotte doit être relié à la terre correctement. Cet article devrait être installé par un électricien qualifié selon les lois nationales et locales en matière d'électricité.**

### INSTRUCTIONS POUR LA MISE A LA TERRE

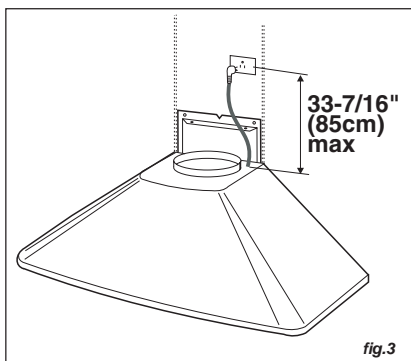
Cet appareil doit être relié à la terre. En cas de court-circuit, la mise à la terre réduit le risque de décharge électrique en fournissant un câble permettant au courant d'être dévié.

Cet appareil est équipé d'un cordon ayant un câble de mise à la terre avec une fiche de mise à la terre. La fiche doit être branchée dans une prise de courant correctement installée et mise à la terre.

**ATTENTION -** Une mise à la terre incorrecte peut entraîner un risque de décharge électrique. Consulter un électricien spécialisé si les instructions de mise à la terre ne sont pas tout à fait compréhensibles ou en cas de doute sur le fait de savoir si l'appareil est correctement relié à la terre. Ne pas utiliser de prolongation. Si le cordon d'alimentation est trop court, demander à un électricien agréé d'installer une prise de courant près de l'appareil.

Régler l'alimentation électrique dans l'espace couvert par le conduit décoratif.

Placer la prise femelle à une distance maximum de 33-7/16" (85 cm) de l'endroit où le plomb sort de la hotte (voir l'illustration ci-contre). S'assurer qu'il n'y ait pas d'interférence avec la zone de fixation du support ou avec le conduit décoratif (à l'endroit où la gaine touche le mur). Mettre la fiche dans la prise femelle.



## INSTALLATION DES ETRIERS D'ASSEMBLAGE

1. Construisez un **cadre** en bois pour le mur dont les vis-pivot ne dépassent pas. Assurez-vous:
  - a) que le cadre est centré au-dessus de l'emplacement de l'installation.
  - b) la hauteur du cadre permettra que les **étriers d'assemblage** soient fixés au cadre en respectant les dimensions indiquées.
2. Après avoir terminé la surface du mur, fixez les **étriers d'assemblage** au cadre en respectant les dimensions qui sont indiquées.

Note:

- Lorsque le plafond est de 8', la distance above cook top is:
  - minimum 24", maximum 28" (pour modèle avec tuyau d'évacuation)
  - minimum 24", maximum 27" (pour modèle recyclant l'air)
- Lorsque le plafond est de 9', la distance above cook top is:
  - minimum 28", maximum 30" (les prises d'air du carneau décoratif supérieur demeurent visibles après l'installation)

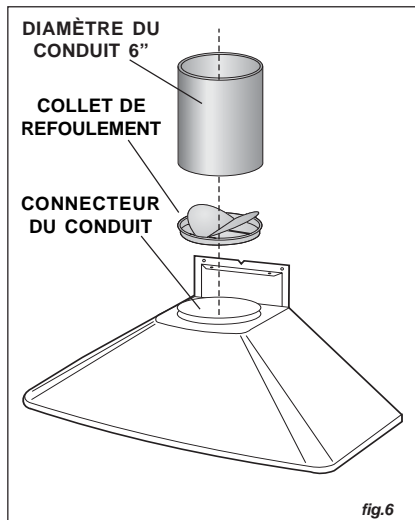
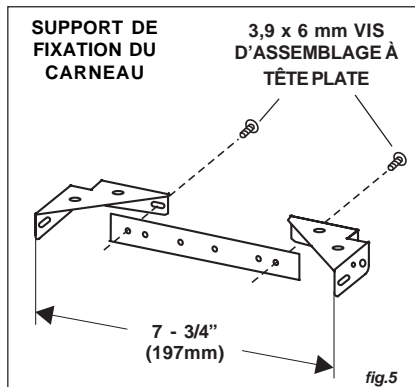
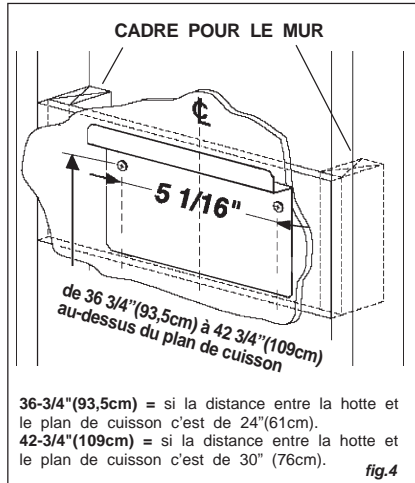
## INSTALLATION DU SUPPORT DE FIXATION DU CARNEAU

### CARÉNÉ ET NON CARÉNÉ

1. Assemblez le support de fixation du carneau en réglant la largeur extérieure comme indiqué. Fig.5.
2. Centrez **soigneusement** le support de fixation directement sur l'emplacement destiné à la hotte.
3. Fixez l'assemblage du support au plafond au moyen de deux (2) vis de montage de 4,8 x 38 mm et d'ancres murales. Vérifiez que le support est enfoncé dans le mur adjacent et qu'il est centré au-dessus de la hotte.

## PREPARE THE HOOD

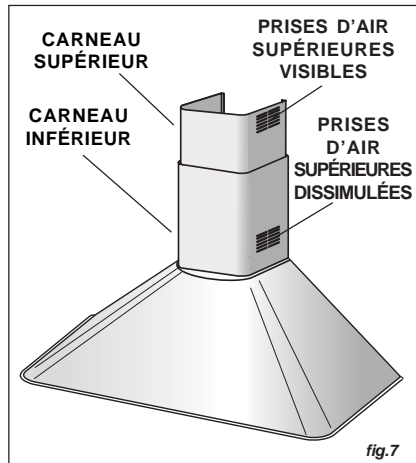
**Remarque: si la hotte est en acier inoxydable, retirez précautionneusement le film protecteur des surfaces extérieures et des carnaux décoratifs avant de terminer l'installation.**





## CONFIGURATION CARÉNÉE

1. Installez le collet de refoulement dans le conduit relié à la hotte (fig.6).
2. Attachez un conduit arrondi en acier d'une longueur de 6" au connecteur du conduit de la hotte (fig.6).
3. Reliez toutes les sections pour empêcher le passage de l'air.
4. Placez précautionneusement le carneau décoratif inférieur dans la partie de la hotte en retrait (fig.7).
5. Faites glisser lentement le carneau décoratif à l'intérieur du conduit inférieur (fig.7).



## PRÉPARATION DE LA HOTTE

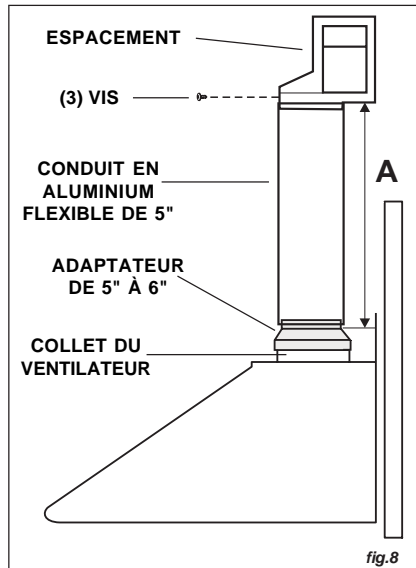
### CONFIGURATION NON CARÉNÉE

**Note:** The following materials must be purchased separately for non-ducted recirculation installations.

- Conduit en aluminium flexible / expansible de 5" de diamètre
- Foret hélicoïdal de 1/16" de diamètre

**ATTENTION:** n'utilisez pas de conduits en plastique ou en métal rigide.

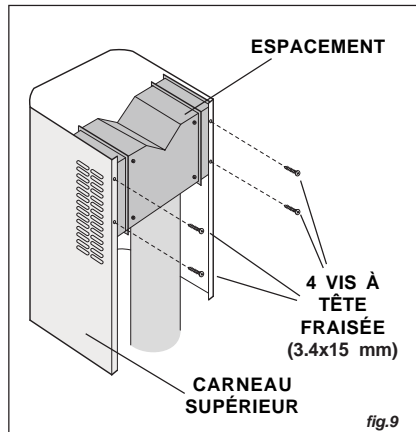
1. Ne comptez pas le collet de refoulement ni le registre fournis avec la hotte. Installez l'adaptateur de 5" à 6" (fourni).
2. Mesurer la distance "A".
3. Fixez le conduit en aluminium flexible à l'adaptateur de 5". Obstruez toutes les sections à l'aide du ruban du conduit. (Fig.8)
4. Assemblez l'espacement de recirculation au conduit flexible. (Fig.8).
5. Pour créer un espacement de recirculation, percez trois (3) trous de 1/16" de diamètre et situés à égale distance les uns des autres sur le conduit et le connecteur du conduit. (Fig.8)
6. Fixez le conduit au connecteur de l'espacement au moyen de trois (3) vis à tête. Bouchez toutes les sections à l'aide du ruban du conduit. (Fig.8)



## PRÉPARATION DE LA HOTTE

### CONFIGURATION NON CARÉNÉE (suite).

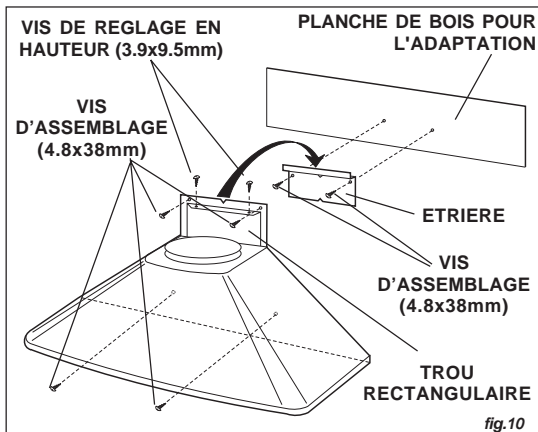
- Placez précautionneusement le carneau décoratif inférieur dans la partie de la hotte en retrait (fig.7).
- Faites glisser lentement le carneau décoratif à l'intérieur du conduit inférieur. Remarque: les prises d'air doivent être tournées vers le haut (fig.7).
- Fixez l'espacement de recirculation au carneau supérieur au moyen de quatre (4) vis à tête fraisée (fig.9).



## INSTALLATION DE LA HOTTE

Remarque: la hotte doit être installée par au moins deux personnes.

- Soulevez la hotte et placez-la à l'endroit où elle sera installée.
- Branchez le cordon d'alimentation à la prise murale. Faites passer la longueur de cordon qui dépasse derrière le carneau.
- Alignez l'ouverture rectangulaire située à l'arrière de la hotte avec le support de fixation murale. Abaissez lentement la hotte jusqu'à ce qu'elle s'emboîte avec le support. Fig.10



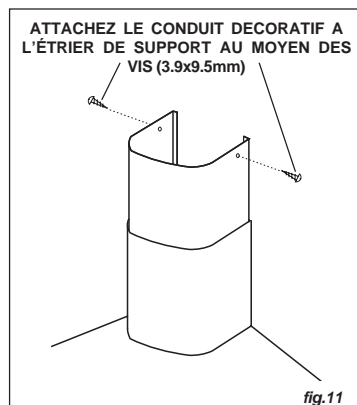
- Mettez la hotte.

Les **vis de réglage en hauteur** permettent de régler verticalement.

Fixez votre hotte avec des **vis d'assemblage** (4.8x38mm). Utilisez des chevilles pour mur à sec, qui vous sont fournies, si vous ne trouvez pas les vis-pivot ou le cadre.

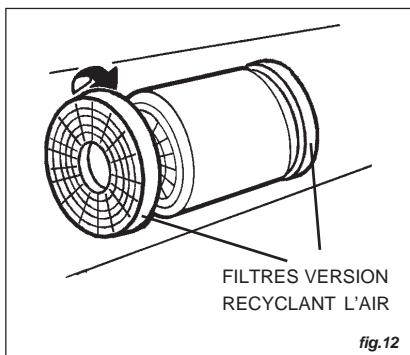
Niveau et fixez-la au moyen de deux (2) vis (4.8x38mm) de montage. Si vous ne disposez pas de poteaux de cloison ni d'armature, utilisez les ancrés murales fournies. Fig.10

- Soulevez le carneau supérieur jusqu'à ce que ses trous soient alignés avec les trous du support de fixation du carneau (situé au plafond). Fig.11
- Fixez le carneau au moyen de deux (2) vis de montage (3.9x9.5mm). Fig.11



## ASSEMBLAGE DES FILTRES VERSION RECYCLANT L'AIR

1. Les filtres version recyclant l'air (B03300487) sont fournis.
2. Placez les filtres au-dessus du ventilateur. Grâce à un mouvement rotatif, fixez les filtres à leur place.



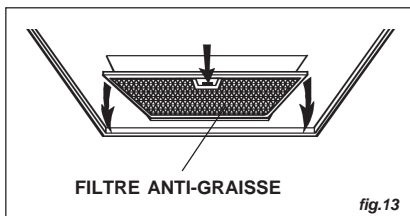
## ENTRETIEN

Un bon entretien de votre hotte garantira une excellente performance.

### **Filtre anti-graisse**

Le **filtre anti-graisse** doit être nettoyé fréquemment. Utilisez une solution contenant un détergent tiède. Le filtre anti-graisse peut être lavé au lave-vaisselle.

Enlevez le filtre en le poussant vers l'arrière de votre hotte et en le faisant tourner vers le bas.



### **Filtres version recyclant l'air**

Les filtres version recyclant l'air doivent être remplacés tous les 6 mois. Faites tourner les filtres afin de les enlever et de les remettre.

### **Nettoyage de votre hotte**

L'acier inoxydable est une des matières les plus faciles à nettoyer. Un entretien de temps en temps permettra de le conserver en parfait état. Conseils pour le nettoyage:

- Eau chaude et savon ou détergent est tout ce qui est normalement nécessaire.
- Après chaque nettoyage, rincez bien à l'eau claire. Essuyez avec un chiffon propre et doux afin d'éviter les taches d'eau.
- Si des décolorations ou des dépôts persistent, utilisez un nettoyant domestique non abrasif ou de la poudre pour l'acier inoxydable et un peu d'eau et un chiffon doux.
- Dans les cas difficiles, utilisez une éponge en plastique ou une brosse douce avec du nettoyant et de l'eau. Frottez légèrement en suivant la direction du polissage ou du "grain" de l'acier inoxydable. Evitez de frotter trop fort afin de ne pas abîmer la surface.
- **NE LAISSEZ PAS** les taches trop longtemps.
- **N'UTILISEZ PAS** de laines d'acier ordinaires ou des brosses en acier. Des débris d'acier pourraient adhérer à la surface et causer de la rouille.
- **NE PERMETTEZ PAS** que des solutions salées, des désinfectants, des blanchissants ou des produits nettoyants restent en contact avec l'acier pendant longtemps. Beaucoup de ces produits contiennent des produits chimiques qui pourraient causer des dommages. Rincez à l'eau immédiatement s'ils entrent en contact et essuyez avec un chiffon humide.

Les surfaces peintes doivent être nettoyées avec de l'eau tiède additionnée d'un détergent doux seulement.

## FONCTIONNEMENT

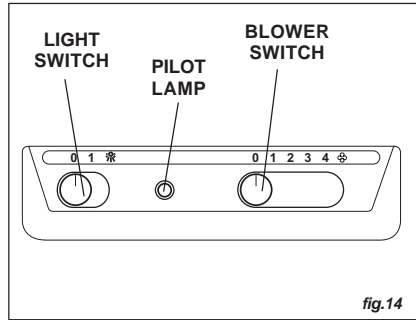
### Commandes

La hotte peut être manœuvrée à l'aide des curseurs situés sous la partie inférieure de la hotte.

L'**interrupteur de la lumière** allume et éteint les lampes.

L'**interrupteur du ventilateur** permet de sélectionner la vitesse de marche du moteur. Position 0: moteur éteint.

Le **voyant lumineux** s'allume quand le ventilateur fonctionne.



### HEAT SENTRY<sup>MC</sup>

Votre hotte est munie d'un thermostat HEAT SENTRY<sup>MC</sup>. Ce thermostat est un dispositif qui actionnera ou augmentera la vitesse du ventilateur s'il détecte une chaleur excessive au-dessus de la surface de cuisson.

- 1) Si le ventilateur n'est pas en marche - il actionnera le ventilateur en haute vitesse.
  - 2) Si le ventilateur fonctionne en basse vitesse - le ventilateur tournera en haute vitesse.
- Lorsque la température revient à la normale, le ventilateur retourne à sa vitesse d'origine.

### AVERTISSEMENT

**Le thermostat HEAT SENTRY<sup>MC</sup> peut actionner la hotte même si la hotte est arrêtée. Si tel est le cas, il est impossible de l'arrêter avec l'interrupteur. Si vous devez arrêter le ventilateur, faites-le à partir du panneau électrique principal.**

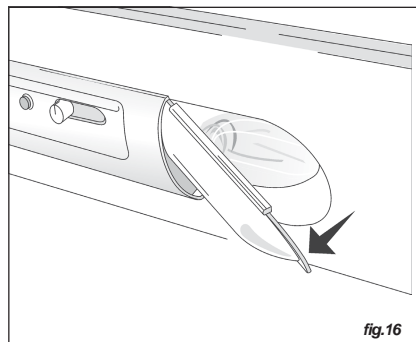
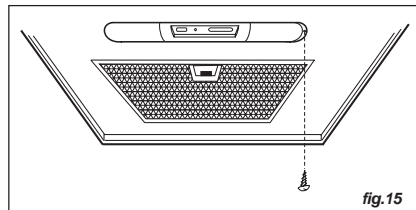
## AMPOULES

Ce modèle de hotte veut 2 lampes type 40 Watt (fournies).

**AVANT DE PROCÉDER À QUELCONQUE OPÉRATION, DÉBRANCHEZ L'APPAREIL.**

Pour changer les ampoules:

1. Enlever la vis fixant le système d'éclairage.
2. Pour enlever le plafonnier, tirer-le vers le bas.
3. Remplacer par un tube ayant les mêmes caractéristiques. ATTENTION: LE TUBE PEUT ÊTRE CHAUDE!



## GARANTIE

### GARANTIE BROAN-NUTONE LLC LIMITÉE À UN AN

Broan-NuTone LLC garantit au consommateur-acheteur de ses produits que ces produits seront sans défauts concernant les matières employées et concernant la fabrication pendant une période d'un an à partir de la date d'achat. IL N'Y A AUCUNE AUTRE GARANTIE, EXPLICITE OU IMPLICITE, Y COMPRIS, MAIS NON PAS LIMITEE A, LES GARANTIES IMPLICITES OU CONCERNANT LA CAPACITE COMMERCIALE OU LA CONVENANCE POUR TOUT BUT PARTICULIER. Pendant cette période d'un an, Broan-NuTone LLC réparera ou remplacera, s'il le jugera nécessaire, gratuitement, tout article ou toute pièce qui résulteront défectueux à condition qu'ils aient été utilisée et entretenu correctement.

CETTE GARANTIE NE S'ETEND PAS AUX INTERRUPTEURS DES NEON, NEON, LAMPES HALOGENES, AMPOULES d'ILLUMINATION. Cette garantie ne couvre pas (a) l'entretien normal ni (b) tout article ou toute pièce qui aient subi une utilisation erronée, une négligence, un accident, un entretien erroné ou une réparation (autre que de la part de Broan-NuTone LLC), une installation défectueuse ou bien une installation ne respectant pas les instructions d'installation recommandées. La durée de toute garantie implicite est limitée à un an comme cela est spécifié dans la garantie explicite. Quelques états ne permettent pas de limites quant à la durée d'une garantie implicite, par conséquent la limitation indiquée ci-dessus peut ne pas vous concerner.

L'OBLIGATION DE REPARER OU DE REMPLACER DE LA PART DE BROAN-NUTONE LLC SERA LE SEUL ET EXCLUSIF REMEDE DE L'ACHETEUR COUVERT PAR CETTE GARANTIE. BROAN-NUTONE LLC NE SERA PAS RESPONSABLE DES DOMMAGES ACCIDENTELS, CONSEQUENTIELS OU SPECIAUX DUS A L'UTILISATION DU PRODUIT OU A SA PERFORMANCE OU EN ETANT LA CONSEQUENCE. Quelques états ne permettent pas l'exclusion ou la limitation des dommages accidentels ou conséquentiels, par conséquent la limitation indiquée ci-dessus peut ne pas vous concerner.

Cette garantie vous donne des droits légaux spécifiques, et vous pouvez aussi avoir d'autres droits, qui varient d'Etat à Etat. Cette garantie dépasse toute garantie précédente. Pour avoir droit à la garantie, vous devez (a) avvertir la Maison Broan-NuTone LLC à l'adresse indiquée ci-dessous ou téléphoner : 1-800-637-1453, (b) donner le numéro du modèle et l'identification de la pièce défectueuse et (c) décrire la nature de tout défaut de l'article ou de la pièce. Au moment où vous demandez le service de garantie, vous devez présenter la preuve d'achat avec la date.

**Broan-NuTone LLC.** 926 West State Street, Hartford, WI 53027 (1-800-637-1453)  
**NuTone, Inc.,** 4820 Red Bank Road, Cincinnati, OH 45227 (1-800-543-8687)

# LEA Y CONSERVE ESTAS INSTRUCCIONES

 **INDICADO PARA EL USO EN COCINAS DOMESTICAS** 

  **ADVERTENCIA**

**PARA EVITAR EL RIESGO DE INCENDIO, CORTOCIRCUITO O DAÑO PARA LAS PERSONAS, OBSERVE ATENTAMENTE LAS SIGUIENTES NORMAS:**

1. Use esta unidad solamente de la manera indicada por el fabricante; si tiene dudas, póngase en contacto con éste a la dirección o teléfono indicados en la garantía.
2. Antes de hacer una revisión o de limpiar la unidad, desconéctela de la red para evitar que se encienda de manera accidental. En el caso de que éste no pueda ser desactivado, se indicará en la placa de características.
3. El montaje y la instalación eléctrica debe hacerlos un técnico especializado siguiendo las normas estándar e incluyendo aquellas de construcción anti incendio.
4. Necesita aire suficiente para una apropiada combustión y escape de gases a través del tubo del depósito de quema de combustible. Para evitar que el humo aspirado vuelva a la cocina, siga las directivas del fabricante y las normas estándar de seguridad así como las normas publicadas por la Asociación de prevención de incendios (NFPA) y la Sociedad americana de especialistas en calefacción, refrigeración y aire acondicionado y además las normas de las autoridades locales.
5. Hacer un corte o un taladro en la pared o en el techo no debe dañar la instalación eléctrica u otras instalaciones ocultas en la pared.
6. Los conductos ventiladores deben siempre desalojar al exterior.
7. No use esta unidad con dispositivo de control de la velocidad a estado sólido.
8. Para evitar el riesgo de incendio, use solamente conductos de metal.
9. Esta unidad tiene que ser conectada a tierra.

**PARA EVITAR EL RIESGO DE FUEGO POR ALTO NIVEL DE GRASA:**

- A. Nunca abandone los quemadores con el fuego alto. La cocción causa humo y restos de grasa que pueden arder. Caliente el aceite a fuego medio o bajo.
- B. Encienda siempre la campana cuando cocine a fuego alto o cuando cocine alimentos fácilmente inflamables. (por ejemplo Crepes Suzette, Cerezas Jubilee, Ternera flambeada con granos de pimienta).
- C. Limpie con frecuencia los ventiladores. No se debe acumular grasa en el ventilador o en el filtro.
- D. Usa el tamaño de cacerola apropiado. Use siempre utensilios de cocina de tamaño y material adecuados.

  **ADVERTENCIA**

**PARA EVITAR EL RIESGO DE DAÑOS A PERSONAS EN CASO DE FUEGO POR ALTO NIVEL DE GRASA, TENGA EN CUENTA LO SIGUIENTE:\***

1. SOFOQUE LA LLAMA con una tapadera apropiada, una bandeja metálica ó un utensilio de cocina que pueda cubrirla, despues, apague el quemador. ACTÚE CON PRECAUCIÓN PARA EVITAR QUEMADURAS. Si la llama no se extingue inmediatamente, SALGA Y LLAME A LOS BOMBEROS.
2. NUNCA COJA UNA SARTEN EN LLAMAS, porque corre el riesgo de quemarse.
3. NO USE AGUA ni paños o toallas húmidas porque puede provocarse una violenta humareda.
4. Use un extintor SOLAMENTE si:
  - A. Posee un extintor de clase ABC y sabe perfectamente cómo usarlo.
  - B. El fuego es pequeño y está controlado en el mismo sitio en que empezó.
  - C. Ha llamado con anterioridad a los bomberos.
  - D. Puede combatir el fuego retrocediendo hacia la salida.

\* Basado en "Seguridad antifuego en la cocina" publicado por NFPA.



## ADVERTENCIA

---

1. Para reducir el riesgo de incendios y para evacuar correctamente los humos, asegurarse de haber realizado una conducción del aire hasta el exterior. No expulsar los humos en espacios cerrados por paredes o techos, áticos, espacios angostos o garajes.
2. Prestar la máxima atención al utilizar productos de limpieza o detergentes.
3. Evitar el uso de productos alimentarios que puedan inflamarse bajo la campana.
4. Sólo para ventilación total. No use gases de escape peligrosos o materiales y vapores explosivos.
5. Para evitar daños en el funcionamiento del motor e impulsores ruidosos y/o desequilibrados, mantenga alejados de la unidad de encendido pulverizadores en seco o polvo.
6. El motor tiene un nivel de sobrecarga térmica que apaga automáticamente el motor cuando se ha recalentado excesivamente. El motor se pone de nuevo en funcionamiento cuando la temperatura baja. Si el motor comienza a encenderse y a apagarse, deberá hacer una revisión de éste.
7. Para limpiar mejor las impurezas al cocinar, la parte inferior de la campana debe estar a una temperatura mínima de 24 grados y máxima de 30 grados por debajo de la temperatura de la zona de cocción.
8. Debido a su gran tamaño y peso, se recomienda su montaje por parte de dos técnicos especializados.
9. Este producto está dotado de un termostato que pone en marcha automáticamente el motor. Para reducir el riesgo de daños y evitar que se encienda accidentalmente, colocar el interruptor del panel de servicio en la posición OFF y bloquear el panel de servicio o colocar una advertencia externa como por ejemplo un letrero o una chapita.
10. Se recomienda leer la placa de características del producto para ulterior información.

## PREPARE LA CAMPANA

Sacar la campana de l'embalaje y controlar el contenido.

Recivireis:

- 1 - Campana
- 1 - Tubo decorativo
- 1 - Reducción
- 2 - Filtros configuración sin tubo
- 1 - Bolsita (B080810471) con:
  - 1 - Soporte de montaje
  - 1 - Casquillo
  - 1 - Soporte para el montaje del tubo

- 8 - Tornillos de montaje (4.8 x 38 mm cabeza redonda)
- 4 - Tornillos de montaje (3.9 x 9.5 mm cabeza redonda)
- 8 - Escarpías
- 1 - Pleno
- 4 - Tornillos de montaje (3.4 x 15 mm cabeza plano)
- 2 - Tornillos de montaje (3.9 x 6 mm cabeza plano)
- 1 - Instrucciones para instalación

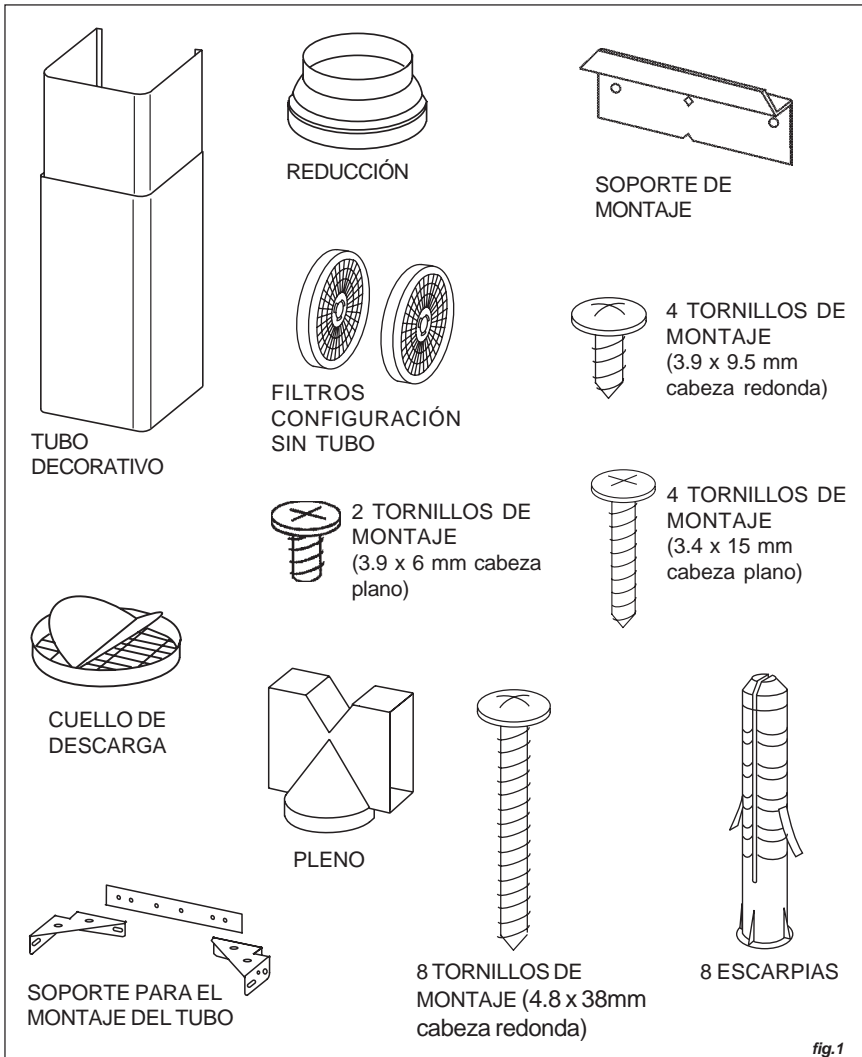


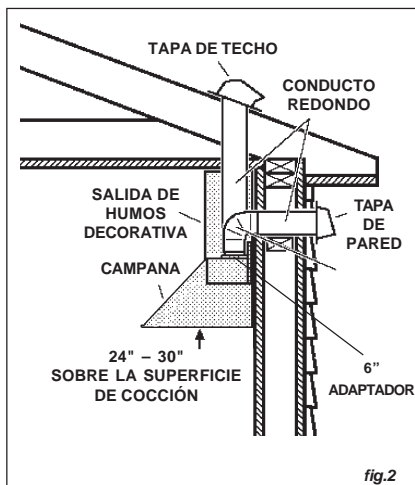
fig.1



## INSTALACIÓN DEL CONDUCTO (SÓLO CAMPANAS CON CONDUCTO)

**NOTA:** Para reducir el riesgo de fuego, utilice sólo conductos de metal.

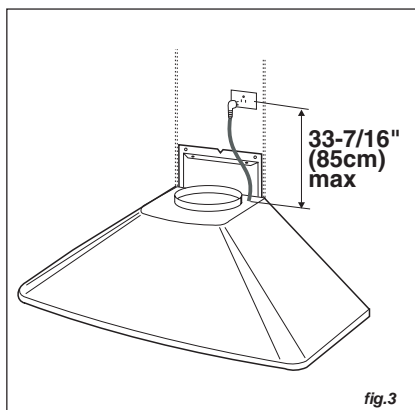
1. Decida el lugar entre la campana y el exterior en el que colocará el conducto.
2. Un conducto corto y recto permitirá que la campana funcione más eficazmente.
3. Los conductos largos, con codo, y las transiciones reducirán el rendimiento de la campana. Utilice tan pocos como pueda. Para su mejor rendimiento, los conductos más grandes pueden necesitar recorridos de conducto más largos.
4. Instale una tapa de pared o de techo. Conecte el conducto de metal redondo en la tapa y muévalo hacia la ubicación de la campana. Utilice la cinta del conducto para sellar las juntas entre las secciones del conducto.



## INSTALACION ELECTRICA

**Nota:** Este tipo de campana tiene que ser conectada a tierra cuidadosamente. La unidad debe instalarla un técnico electricista siguiendo las normas nacionales y locales.

**INSTRUCCIONES DE CONEXIÓN A TIERRA**  
Este aparato se debe conectar a tierra. En caso de cortocircuito, la conexión a tierra reduce el riesgo de electrocución ya que posee un hilo de descarga a tierra para la corriente. Este aparato está equipado con un cable que posee un hilo de toma de tierra con una clavija de tierra. La clavija se debe conectar a un enchufe instalado correctamente y conectado a tierra.



**ADVERTENCIA-** una conexión a tierra incorrecta puede provocar riesgos de electrocución. Consulte a un electricista calificado si no se entienden o si existe alguna duda sobre la correcta conexión a tierra.

No utilice un cable de prolongación. Si el cable proporcionado es demasiado corto, póngase en contacto con un electricista calificado para que instale un enchufe cerca del aparato.

Conecte la alimentación eléctrica en el espacio cubierto por el tubo decorativo. Coloque el enchufe a una distancia máxima de 33-7/16" (85 cm) desde el cable de la campana (véase figura adjunta). Asegúrese de que no interfiera con el área de la abrazadera de sujeción o con el tubo decorativo (donde el tubo decorativo toca con la pared). Conecte la clavija al enchufe.

## INSTALACION DE LOS SOPORTES PARA EL MONTAJE

1. Construya una **estructura de madera** en la pared que quedará nivelada con la parte interior de los tacos en la pared. Asegúrese de que:
  - a) La estructura se encuentra centrada por encima de la instalación del tubo.
  - b) La altura de la estructura permite fijar los **soportes** para el montaje en esta estructura siguiendo las dimensiones indicadas.
2. Una vez que la superficie de la pared esté acabada, sujete los soportes para el montaje siguiendo las dimensiones indicadas.

Nota:

- En techos de 8', la distancia entre la campana y la parte superior de la cocina debe ser:
  - mínimo 24", max 28" (Configuración con tubo).
  - mínimo 24", max 27" (Configuración sin tubo).
- En techos de 9', la distancia entre la campana y la parte superior de la cocina debe ser:
  - mínimo 28", max 30" (los respiraderos de la salida de humos superior quedarán expuestos después de la instalación).

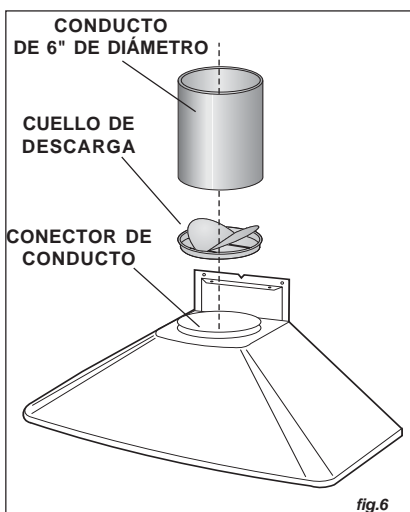
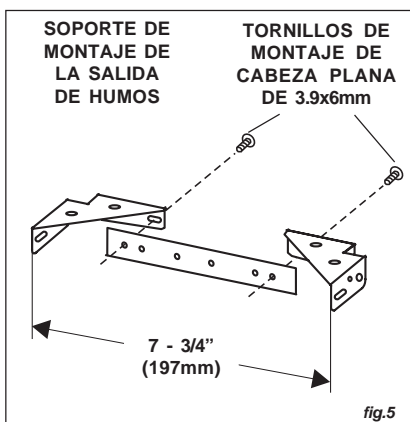
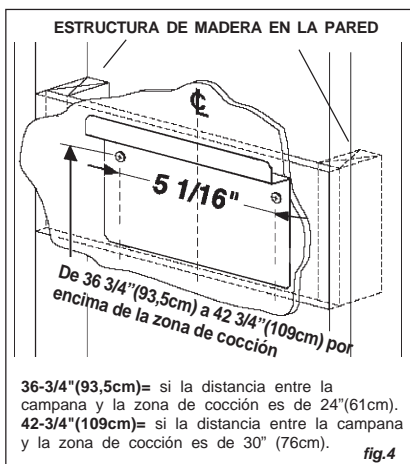
## INSTALACIÓN DEL SOPORTE DE MONTAJE DE LA SALIDA DE HUMOS

### **CON CONDUCTO Y SIN CONDUCTO**

1. Ensamble el soporte de montaje de la salida de humos, ajustando el ancho exterior tal como se muestra. Fig.5
2. Centre **cuidadosamente** el soporte de montaje directamente sobre la ubicación de la campana de la cocina.
3. Asegure la unidad de soporte al techo utilizando (2) tornillos de montaje de 4,8x38mm y soportes de muro de mampostería sin mortero. Asegúrese de que el soporte está apretado contra el muro contiguo y centrado sobre la campana.

## PREPARACIÓN DE LA CAMPANA

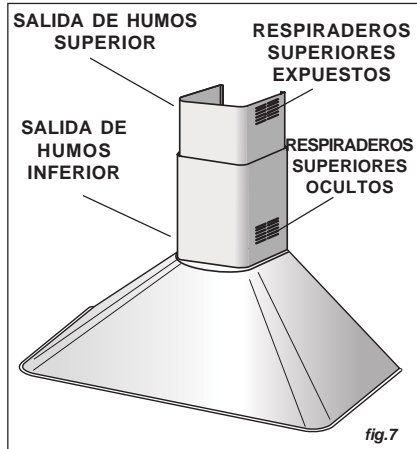
**Nota:** En campanas de acero inoxidable, antes de llevar a cabo la instalación final, retire cuidadosamente la película protectora de plástico de todas las



superficies exteriores de la campana y de las salidas de humo decorativas.

### CONFIGURACIÓN CON CONDUCTO

1. Instale el cuello de descarga en el conector de conducto de la campana de cocina. Fig.6
2. Conecte un conducto redondo de acero de 6" al conector de conducto de la campana de cocina. Fig.6
3. El conducto tapa todas las juntas, asegurándolas y volviéndolas herméticas.
4. Coloque con cuidado la salida de humos decorativa inferior en el área empotrada de la parte superior de la campana de cocina. Fig.7
5. Deslice cuidadosamente la salida de humos decorativa superior hacia abajo, dentro de la salida de humos inferior. Fig.7



## PREPARACIÓN DE LA CAMPANA

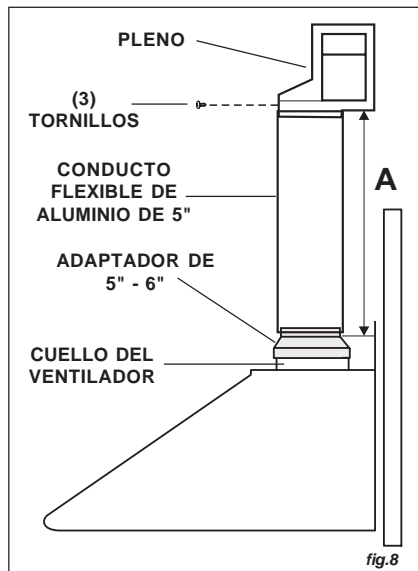
### CONFIGURACIÓN SIN CONDUCTO

**Nota: Los siguientes materiales deben comprarse por separado para instalaciones de recirculación sin conducto.**

- Conducto de aluminio flexible/dilatante de 5".
- Taladradora de 1/16" de diámetro.

**PRECAUCIÓN: No utilice conductos de metal rígido ni de plástico.**

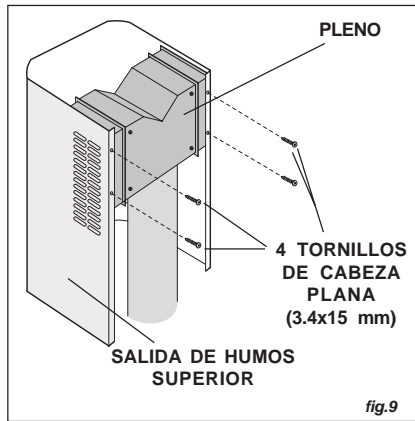
1. Deje a un lado el cuello de descarga y el regulador de tiro suministrados con la campana. Instale el adaptador de 5" a 6" (suministrado).
2. Mida la distancia "A"
3. Conecte el conducto de aluminio flexible al adaptador de 5". Selle todas las juntas con cinta del conducto. Fig.8
4. Monte el pleno de recirculación al conducto flexible. Fig.8
5. Taladre tres (3) agujeros de 1/16" de diámetro espaciados regularmente en el conducto y en el conector de conducto del pleno de recirculación. Fig.8
6. Asegure el conducto en el conector del pleno con (3) tornillos de metal chapado. Selle todas las juntas con la cinta del conducto. Fig.8



## PREPARACIÓN DE LA CAMPANA

### CONFIGURACIÓN SIN CONDUCTO, continuación

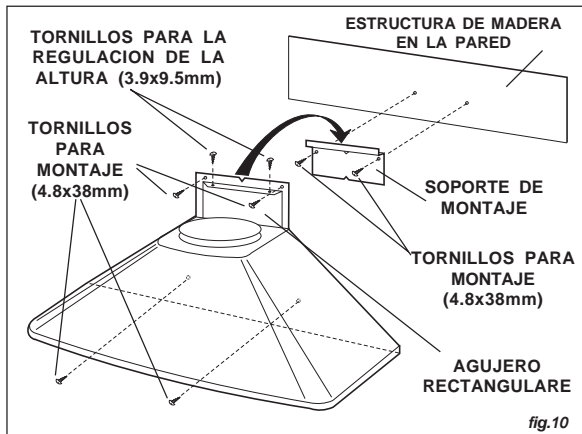
- Coloque con cuidado la salida de humos decorativa inferior en el área empotrada de la parte superior de la campana de cocina. Fig.7
- Deslice cuidadosamente la salida de humos decorativa superior hacia abajo, dentro de la salida de humos inferior.  
Nota: los respiraderos deben estar hacia arriba. Fig. 7
- Asegure el pleno de recirculación en la salida de humos superior con (4) tornillos de cabeza plana. Fig.9



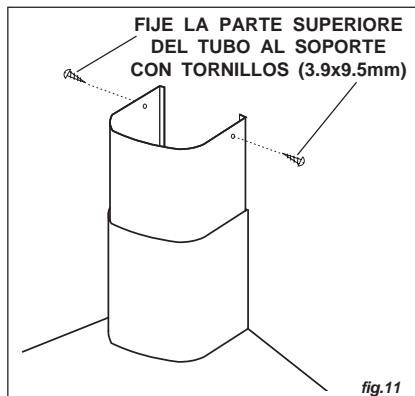
## INSTALACIÓN DE LA CAMPANA

Nota: se necesitan al menos dos personas para montar la campana.

- Levante la campana en su posición de montaje.
- Conecte el cable de alimentación al receptáculo eléctrico de la pared. Coloque el cable restante detrás de la salida de humos.
- Alinee la abertura rectangular de la parte posterior de la campana con el soporte de montaje de la pared. Baje suavemente la campana hasta que encaje correctamente en el soporte. Fig.10



- Nivele la campana.  
Los **tornillos para la regulación de la altura** permiten un ajuste en vertical.  
Sujete la campana con **tornillos para montaje** (4.8x38mm). Use escarpas si no dispone de tacos o de la estructura de soporte en madera.  
Asegúrela con (2) tornillos (4.8x38mm) de montaje. Si no dispone de tachones de pared ni de marcos, utilice los soportes de muro de mampostería sin mortero suministrados. Fig.10

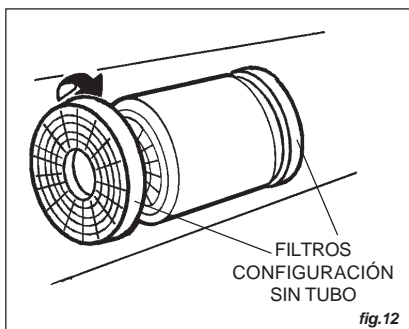


5. Levante la salida de humos superior hasta que sus orificios se alineen con los orificios del soporte de montaje de la salida de humos (situado en el techo). Fig.11

6. Asegure la salida de humos con (2) tornillos de montaje (3.9x9.5mm). Fig.11

## **INSTALACION FILTROS CONFIGURACIÓN SIN TUBO**

1. Los Filtros configuración sin tubo (B03300487) es adjuntos.
2. Instale los filtros sobre el aspirador.
3. Gire los filtros para ajustarlos en su sitio.



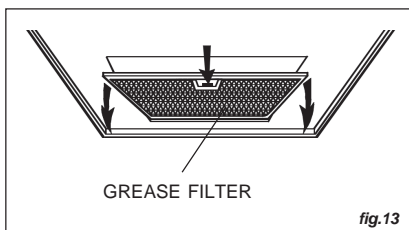
## **MANTENIMIENTO**

Un mantenimiento adecuado de la campana asegura el funcionamiento correcto del aparato.

### **Filtro antigrasa**

El filtro antigrasa debe limpiarse a menudo. Use un detergente que no sea fuerte.

El filtro antigrasa se puede meter en el lavavajillas. Extraiga el filtro tirando de ello hacia atrás de la campana y girándolos hacia abajo.



### **Filtros configuración sin tubo**

Los filtros configuración sin tubo cambiarse cada seis meses. Gire los filtros para desenroscarlos y cambiarlos.

### **Limpieza de la campana**

El acero inoxidable es uno de los materiales más fáciles de limpiar, pero sería aconsejable un especial cuidado en su uso para mantenerla en buen estado. La campana se puede limpiar de las siguientes maneras:

- Agua caliente con jabón o detergente es la mejor manera para limpiarla.
- Aclárela con agua corriente, séquela con un paño suave y limpio para evitar las huellas que deja el agua.
- Para las manchas o restos de grasa que persistan, use un producto químico doméstico que no raye ó un limpiador para acero inoxidable con poca agua y un paño suave.
- Si las manchas persisten, use un estropajo y un cepillo de cerdas suaves con un producto limpiador y agua. Frote suavemente en el sentido del pulido o de las "vetas" del remate del inoxidable. No apriete demasiado porque podría dañar la superficie.
- No deje que las manchas se acumulen durante mucho tiempo.
- No use utensilios o cepillos de acero. Pequeñas partículas de acero pueden adherirse y oxidarse.
- No use soluciones salinas, desinfectantes, lejías, o productos de limpieza que permanezcan en contacto con el acero inoxidable durante largos periodos de tiempo. Muchos de estos productos contienen componentes químicos que podrían resultar nocivos. Aclare con agua y seque con un paño limpio.

Las superficies lacadas deben limpiarse solamente con agua tibia y detergente no muy fuerte.

## FUNCIONAMIENTO

### Mandos

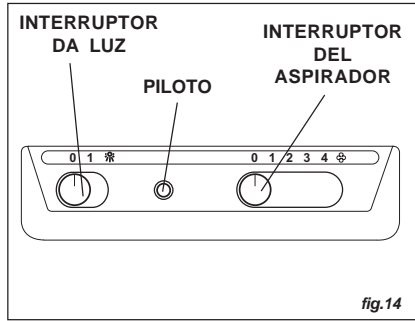
La campana se controla mediante los mandos correderos situados en la parte inferior de la misma.

El **interruptor da luz** enciende y apaga las lámparas.

El **interruptor del aspirador**: regula la velocidad de trabajo del motor.

Posición 0: motor apagado.

El **piloto** se enciende cuando el aspirador está funcionando.



### HEAT SENTRY<sup>MR</sup>

Su campana esta equipada con termostato HEAT SENTRY<sup>MR</sup>. Este termostato tiene un mecanismo que se encenderá el ventilador si se detecta un calor excesivo encima de la cocina.

- 1) Si el ventilador esta apagando - el se prenderá a una velocidad máxima.
- 2) Si el ventilador esta encendido a una velocidad minima - el se prenderá a una velocidad máxima.

Cuando la temperatura disminuye a un nivel normal, el ventilador vuelve a la función de origen.

### AVERTENCIA

El HEAT SENTRY<sup>MR</sup> termostato puede comenzar a funcionar al igual si la campana esta parada. En este caso, es imposible parar el ventilador con los interruptores. Si usted para la campana, halago a partir del panel eléctrico principal.

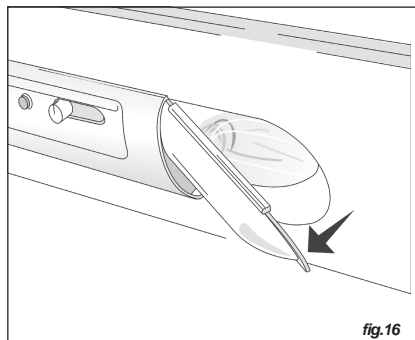
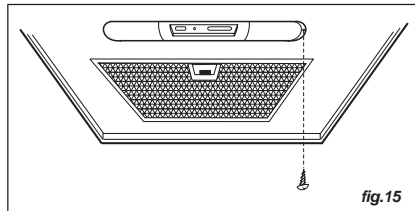
## LAMPARAS

Este tipo de campana necesita 2 lamparas Tipo 40 WATT (adjuntos).

**ANTES DE PROCEDER A CUALQUIER OPERACIÓN, ES NECESARIO DESCONECTAR EL APARATO.**

Para cambiar las lámparas:

1. Quite el tornillo que sujeta las lámparas.
  2. Quiten el plafón y tiren hacia abajo.
  3. Sustituir con lámparas del mismo tipo.
- ATENCIÓN: LAS LÁMPARAS PUEDEN ESTAR CALIENTES.



## GARANTIA

---

### GARANTIA BROAN-NUTONE LLC POR UN AÑO

Broan-NuTone LLC garantiza al consumidor-comprador de sus productos que dichos productos no tendrán defectos en los materiales o fabricación, durante un periodo de un año a partir de la fecha de la compra. NO HAY OTRO TIPO DE GARANTIAS QUE INCLUYAN O SE LIMITEN EXCLUSIVAMENTE A GARANTIAS IMPLICITAS O DE CAPACIDAD COMERCIAL O CONVENIENCIA PARA UN PROPOSITO ESPECIFICO.

Durante el periodo de un año, Broan-NuTone LLC, si lo estima conveniente, reparará o reemplazará sin gastos para el usuario cualquier producto o parte de éste que sea defectuosos habiéndose usado correctamente. ESTA GARANTIA NO CUBRE: ESTARTER DE NEON, NEON, LÁMPARAS HALÓGENAS, LÁMPARAS DE ILUMINACIÓN. Tampoco cubre el mantenimiento ni los productos o partes de éstos que hayan sido usados de forma incorrecta, con negligencia, rotos accidentalmente o por una incorrecta manutención ó reparación (distinta da la realizada por Broan-NuTone LLC), montaje incorrecto ó instalación que no se ajuste a las instrucciones de montaje indicadas. Le duración de la garantía se limita al periodo de un año como está especificado en la garantía explicita. Algunos países no permiten un limite en la duración de la garantía implicita; si es asi en su caso, esta limitación arriba indicada podría no aplicarse. LA PRESENTE GARANTIA CUBRIRA EXCLUSIVAMENTE AL COMPRADOR LOS SERVICIOS DESCRITOS ANTERIORMENTE. BROAN-NUTONE LLC NO SE HACE RESPONSABLE DE DAÑOS PRODUCIDOS DE MANERA ACCIDENTAL O RELACIONADOS CON EL USO INCORRECTO DEL PRODUCTO O SU FUNCIONAMIENTO. Algunos países no permiten la exclusión o limitación de los daños producidos de manera accidental, si es así en su caso, esta limitación arriba indicada podría no aplicarse. Esta garantía le da derechos legales específicos y podría también disponer de otros derechos que varían de país a país. Esta garantía supera otras garantías dadas con anterioridad. Para disfrutar de la garantía usted deberá a) Avisar a la dirección abajo indicada ó bien llamar por teléfono al número 1-800-637-1453 b) Dar el número de serie del modelo correspondiente o bien una descripción de la parte averiada, c) Descripción del defecto en el producto o bien en una de sus partes. Para requerir un servicio en garantía debe presentar el justificante con la fecha de la compra.

**Broan-NuTone LLC.** 926 West State Street, Hartford, WI 53027 (1-800-637-1453)  
**NuTone, Inc.,** 4820 RedBank Road, Cincinnati, OH 45227 (1-800-543-8687)

## SERVICE PARTS

**NP50000 SERIES RANGE HOOD** - Parts for stainless steel models shown. For service parts for black, white, polished brass, or brushed copper models, call Broan Customer Service.

KEY NO.	PART NO.	DESCRIPTION
9	B08087292	Grease Filter
14	B02300233	Motor Capacitor
16	BE3244974	Electrical Box Support
26	B02300264	Lamp Bulb
28	B02300280	Lampholder
29	B08099902	Light Diffusers
37	B02300787	Heat Sentry
45	BW0000019	Blower
48	B02310177	Motor
49	B03295076	Blower Wheel
53	B03204177	Rubber Washer
58	B03295018	Outlet Reduction
60	B02300248	Feeder Cable
86	B08088378	Discharge Collar
118	BE3343338	Lower Flue (stainless steel version)
118	B03117797	Lower Flue (white version)
118	B03114479	Lower Flue (black version)
119	BE3343339	Upper Flue (stainless steel version)
119	B03117798	Upper Flue (white version)
119	B03114480	Upper Flue (black version)
120	B08091367	Flue mounting Bracket
122	B03295016	Ductfree Plenum
145	B032920170	Feeder cable connection Box
146	B032920180	Feeder Cable Connection Box Cover
147	BR2300132	Junction Clamp
151	B032920200	Electrical Box Wires Stop
152	B03292200	Feeder Cable Clamp
165	B03295029	Electrical Box Switch Assy.
165	B03295008	Electrical Box Capacitor
166	B08086668	Sentry Board
167	B03295030	Electrical Box Cover
168	B03295031	Feeder Cable Cover
195	BE3343337	Bracket
196	B02011113	Reflector
228	B08086280	Controls Board
229	B03201014	Warning lamp
238	B03295032	Motor Switch Button
241	B03295033	Light Switch Button
407	BE3344985	Blower Support Bracket
477	B03295034	Closing
998	B080810471	Hardware Package
*	B06001983	Blower Assembly (Includes Key Nos. 45, 48, 49, 53)
*	B03300487	Non-ducted recirculation filters

\* Not shown assembled.



## LISTE PIECES DE RECHANGE

**NP50000 SERIES RANGE HOOD** - Ci-dessous liste pièces de rechange pour hottes en inox. Pour les pièces de recharge des modèles de couleurs noir, blanc, laiton jaune poli, cuivre brossé, contacter Broan Customer Service.

N.	PART N.	DESCRIPTION
9	B08087292	Filtre anti-graisse
14	B02300233	Condensateur
16	BE3244974	Support boite installation électrique
26	B02300264	Lampe
28	B02300280	Douille
29	B08099902	Plafonniers
37	B02300787	Capteur de température
45	BW0000019	Convoyer
48	B02310177	Moteur
49	B03295076	Turbine
53	B03204177	Pare chocs
58	B03295018	Réduction
60	B02300248	Cable alimentation
86	B08088378	Collier d'evacuation
118	BE3343338	Tube inférieur (modèle inox)
118	B03117797	Tube inférieur (modèle blanc)
118	B03114479	Tube inférieur (modèle noir)
119	BE3343339	Tube supérieur (modèle inox)
119	B03117798	Tube supérieur (modèle blanc)
119	B03114480	Tube supérieur (modèle noir)
120	B08091367	Etrier montage tube
122	B03295016	Défecteur
145	B032920170	Boite cable alimentation
146	B032920180	Couvercle boite cable alimentation
147	BR2300132	Borne
151	B032920200	Serre cable
152	B03292200	Serre cable
165	B03295029	Boite installation électrique
165	B03295008	Boite installation électrique
166	B08086668	Circuite capteur
167	B03295030	Couvercle boite installation électrique
168	B03295031	Couvercle cable alimentation
195	BE3343337	Support
196	B02011113	Reflecteur
228	B08086280	Circuite commandes
229	B03201014	Lampe témoin
238	B03295032	Bouton moteur
241	B03295033	Bouton lumière
407	BE3344985	Etrier support convoyer
477	B03295034	Fermeture
998	B080810471	Accessoires de fixation
*	B06001983	Ensemble convoyer (Comprenant N. 45, 48, 49, 53)
*	B03300487	Filtres version recyclant l'air

\* Illustrées separement.

## LISTA DE PIEZAS DE RECAMBIO

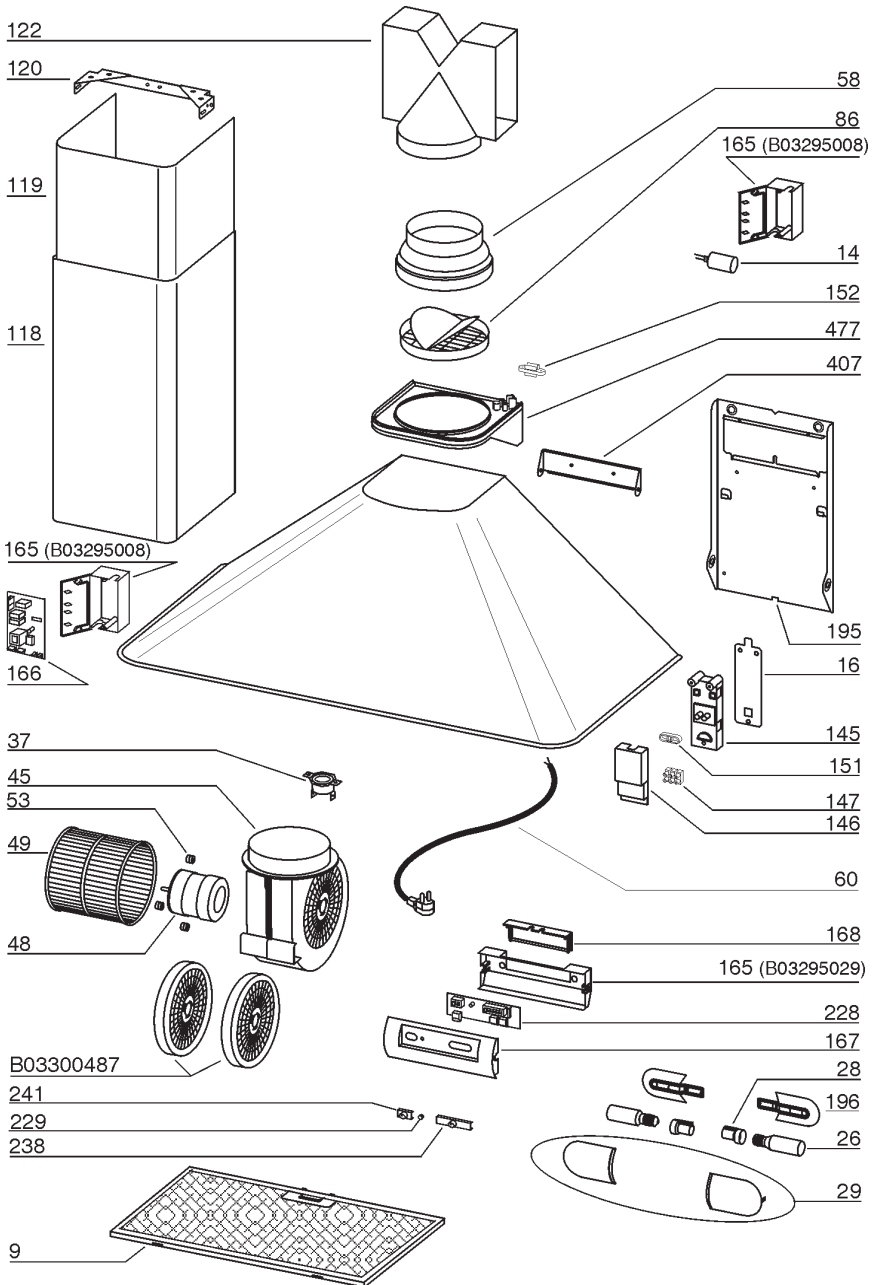
**NP50000 SERIES RANGE HOOD** - Aquí aparecen solamente las piezas de recambio para campanas de acero inoxidable, si desean las piezas de recambio de los modelos en blanco, negro, latón lustrado ó cobre acepillado, pónganse en contacto con el servicio al cliente de Broan.

CÓD. N.	PIEZA N.	DESCRIPCIÓN
9	B08087292	Filtro antigrasa
14	B02300233	Condensador
16	BE3244974	Soporte de la caja de instalación eléctrica
26	B02300264	Lámpara
28	B02300280	Soporte de la lámpara
29	B08099902	Tapas de la lámpara
37	B02300787	Sensor de temperatura
45	BW0000019	Convoyador
48	B02310177	Motor
49	B03295076	Manilla de motor
53	B03204177	Almohadilla antivibraciones
58	B03295018	Reducción
60	B02300248	Cabos
86	B08088378	Cuello de descarga
118	BE3343338	Tubo inferior (modelo acero inoxidable)
118	B03117797	Tubo inferior (modelo blanco)
118	B03114479	Tubo inferior (modelo negro)
119	BE3343339	Tubo superior (modelo acero inoxidable)
119	B03117798	Tubo superior (modelo blanco)
119	B03114479	Tubo superior (modelo negro)
120	B08091367	Soporte de montaje del tubo
122	B03295016	Desviador del aire
145	B032920170	Caja cabos alimentación
146	B032920180	Tapa de la caja cabos alimentación
147	BR2300132	Terminal
151	B032920200	Sujeta cabos
152	B03292200	Sujeta cabos
165	B03295029	Caja de instalación eléctrica
165	B03295008	Caja de instalación eléctrica
166	B08086668	Base del sensor
167	B03295030	Tapa de la caja de instalación eléctrica
168	B03295031	Tapa cabos alimentación
195	BE3343337	Soporte
196	B02011113	Reflector
228	B08086280	Base de los mandos
229	B03201014	Piloto
238	B03295032	Mando motor
241	B03295033	Mando iluminación
407	BE3344985	Soporte convoyador
477	B03295034	Sierre
998	B080810471	Accesorios para el montaje
*	B06001983	Conjunto motor (Incluye los N. 45, 48, 49, 53)
*	B03300487	Filtros configuración sin tubo

\* Se encuentran por separado.

# SERVICE PARTS - LISTE PIECES DE RECHANGE - LISTA DE PIEZAS DE RECAMBIO

## NP50000 SERIES RANGE HOOD





## Free Manuals Download Website

<http://myh66.com>

<http://usermanuals.us>

<http://www.somanuals.com>

<http://www.4manuals.cc>

<http://www.manual-lib.com>

<http://www.404manual.com>

<http://www.luxmanual.com>

<http://aubethermostatmanual.com>

Golf course search by state

<http://golfingnear.com>

Email search by domain

<http://emailbydomain.com>

Auto manuals search

<http://auto.somanuals.com>

TV manuals search

<http://tv.somanuals.com>