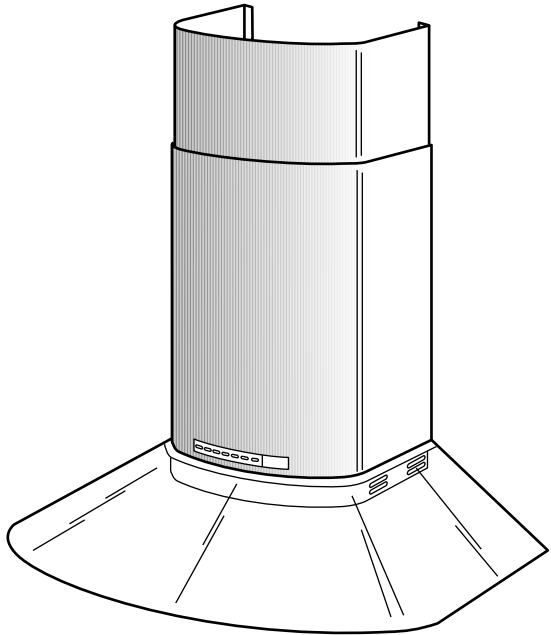


# Model NP629004

**NuTone**<sup>®</sup> *premier*



ENGLISH.....	2
FRANÇAIS.....	11
ESPAÑOL.....	20

Broan-NuTone LLC, 926 West State Street, Hartford, WI 53027  
NuTone, Inc., 4820 Red Bank Road, Cincinnati, OH 45227  
REGISTER YOUR PRODUCT ONLINE AT [www.nutone.com/register](http://www.nutone.com/register)

# READ AND SAVE THESE INSTRUCTIONS

 **INTENDED FOR DOMESTIC COOKING ONLY** 

## **WARNING**

**TO REDUCE THE RISK OF FIRE, ELECTRIC SHOCK, OR INJURY TO PERSONS, OBSERVE THE FOLLOWING:**

1. Use this unit only in the manner intended by the manufacturer. If you have questions, contact the manufacturer at the address or telephone number listed in the warranty.
2. Before servicing or cleaning unit, switch power off at service panel and lock service panel to prevent power from being switched on accidentally. When the service disconnecting means cannot be locked, securely fasten a prominent warning device, such as a tag, to the service panel.
3. Installation work and electrical wiring must be done by a qualified person(s) in accordance with all applicable codes and standards, including fire-rated construction codes and standards.
4. Sufficient air is needed for proper combustion and exhausting of gases through the flue (chimney) of fuel burning equipment to prevent backdrafting. Follow the heating equipment manufacturer's guidelines and safety standards such as those published by the National Fire Protection Association (NFPA), and the American Society for Heating, Refrigeration and Air Conditioning Engineers (ASHRAE), and the local code authorities.
5. When cutting or drilling into wall or ceiling, do not damage electrical wiring and other hidden utilities.
6. Ducted fans must always be vented to the outdoors.
7. Do not use this unit with any separate solid-state speed control device.
8. To reduce the risk of fire, use only metal ductwork.
9. This unit must be grounded.

**TO REDUCE THE RISK OF A RANGE TOP GREASE FIRE:**

- A. Never leave surface units unattended at high settings. Boilovers cause smoking and greasy spillovers that may ignite. Heat oils slowly on low or medium settings.
- B. Always turn hood ON when cooking at high heat or when cooking flaming foods. (i.e. Crepes Suzette, Cherries Jubilee, Peppercorn Beef Flambe').
- C. Clean ventilating fans frequently. Grease should not be allowed to accumulate on fan or filter.
- D. Use proper pan size. Always use cookware appropriate for the size of the surface element.

## **WARNING**

**TO REDUCE THE RISK OF INJURY TO PERSONS IN THE EVENT OF A RANGE TOP GREASE FIRE, OBSERVE THE FOLLOWING:\***

1. **SMOTHER FLAMES** with a close-fitting lid, cookie sheet, or metal tray, then turn off the burner. **BE CAREFUL TO PREVENT BURNS.** If the flames do not go out immediately, **EVACUATE AND CALL THE FIRE DEPARTMENT.**
2. **NEVER PICK UP A FLAMING PAN** - You may be burned.
3. **DO NOT USE WATER**, including wet dishcloths or towels - violent steam explosion will result.
4. Use an extinguisher **ONLY** if:
  - A. You know you have a Class ABC extinguisher and you already know how to operate it.
  - B. The fire is small and contained in the area where it started.
  - C. The fire department is being called.
  - D. You can fight the fire with your back to an exit.

\* Based on "Kitchen Fire Safety Tips" published by NFPA.

## CAUTION

---

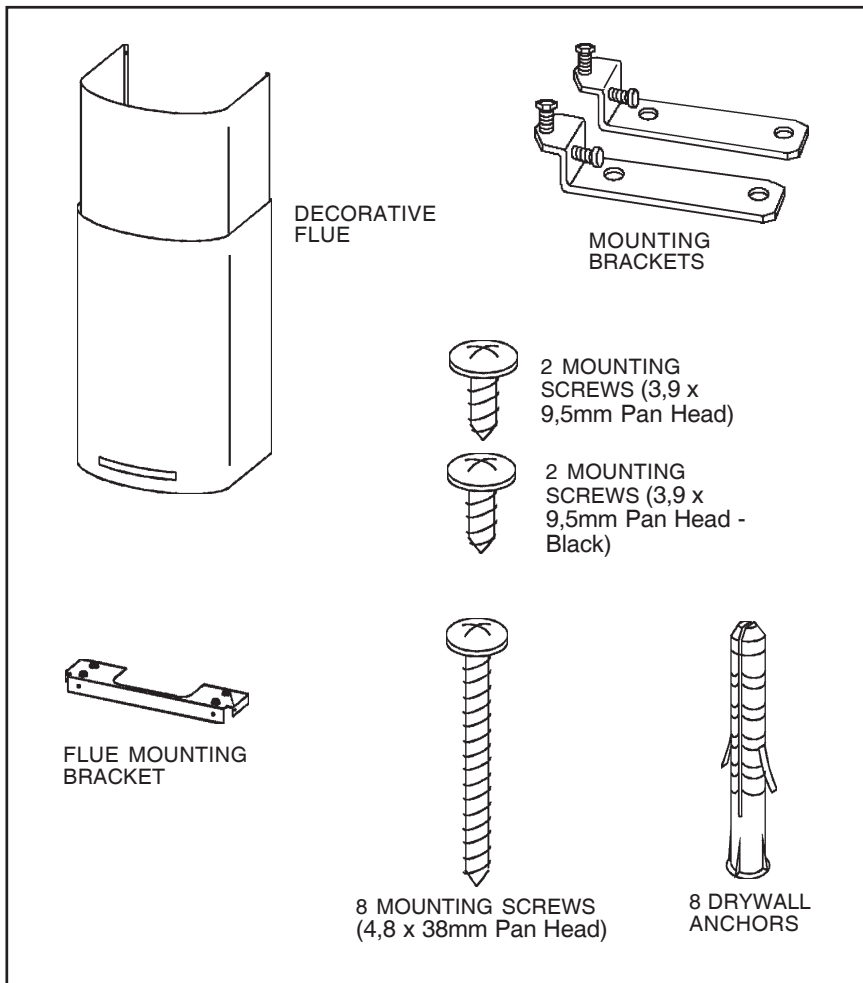
1. To reduce risk of fire and to properly exhaust air, be sure to duct air outside. Do not vent exhaust air into spaces within walls or ceilings or into attics, crawl spaces, or garages.
2. Take care when using cleaning agents or detergents.
3. Avoid using food products that produce flames under the Range Hood.
4. For general ventilating use only. Do not use to exhaust hazardous or explosive materials and vapors.
5. To avoid motor bearing damage and noisy and/or unbalanced impellers, keep drywall spray, construction dust, etc. off power unit.
6. Your hood motor has a thermal overload which will automatically shut off the motor if it becomes overheated. The motor will restart when it cools down. If the motor continues to shut off and restart, have the hood serviced.
7. For best capture of cooking impurities, the bottom of the hood should be a minimum of 24" and a maximum of 30" above the cooking surface.
8. Two installers are recommended because of the large size and weight of this hood.
9. This product is equipped with a thermostat which may start blower automatically. To reduce the risk of injury and to prevent power from being switched on accidentally, switch power off at service panel and lock or tag service panel.
10. Use with approved cord-connection kit only.
11. Please read specification label on product for further information and requirements.

## PREPARE THE HOOD

Unpack hood and check contents.

You should receive:

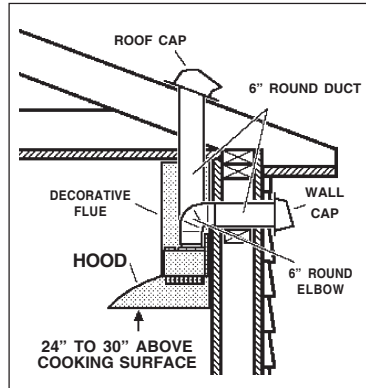
- 1 - Hood
- 1 - Decorative Flue Assembly
- 1 - Parts Bag (B080810285) containing:
  - 2 - Mounting Brackets
  - 8 - Mounting Screws (4,8 x 38mm Pan Head)
  - 8 - Drywall Anchors
  - 2 - Mounting Screws (3,9 x 9,5mm Pan Head)
  - 2 - Mounting Screws (3,9 x 9,5mm Pan Head Black)
  - 1 - Flue Mounting Bracket
- 1 - Installation Instructions



## INSTALL THE DUCTWORK

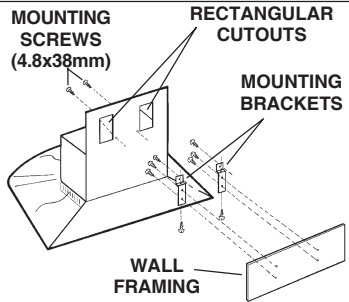
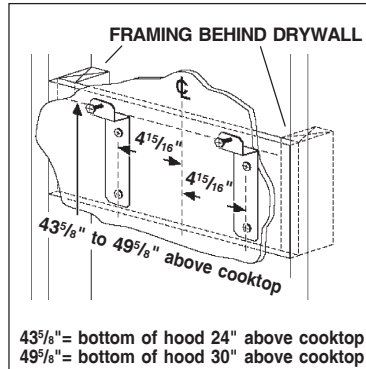
**NOTE:** To reduce the risk of fire, use only metal ductwork.

1. Decide where the ductwork will run between the hood and the outside.
2. A straight, short duct run will allow the hood to perform most efficiently.
3. Long duct runs, elbows, and transitions will reduce the performance of the hood. Use as few of them as possible.
4. Install a roof or wall cap. Connect 6" round metal ductwork to cap and work back towards hood location. Use duct tape to seal the joints between ductwork sections.



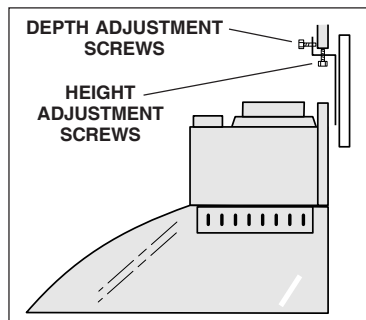
## INSTALL MOUNTING BRACKETS

1. Construct wood wall **framing** that is flush with interior surface of wall studs.  
Make sure:
  - a) the framing is centered over installation location.
  - b) the height of the framing will allow the **mounting brackets** to be secured to the framing within the dimensions shown.
2. After wall surface is finished, secure mounting brackets to framing at dimensions shown, using screws provided.



## INSTALL THE HOOD

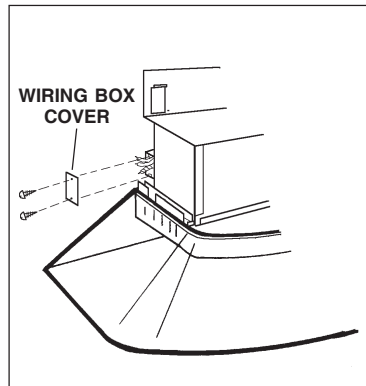
1. Hang the hood from the brackets through the **rectangular cut-outs** on the back of the hood. Cut-outs are larger than the brackets to allow for horizontal adjustment. The bottom of the hood should be 24" to 30" above the cooking surface.
2. **Height adjustment screws** provide vertical adjustment.
3. **Depth adjustment screws** provide horizontal adjustment.
4. Secure the hood with **mounting screws** (4.8x38mm). Use drywall anchors, provided, if wall studs or framing are not available.



## WIRING

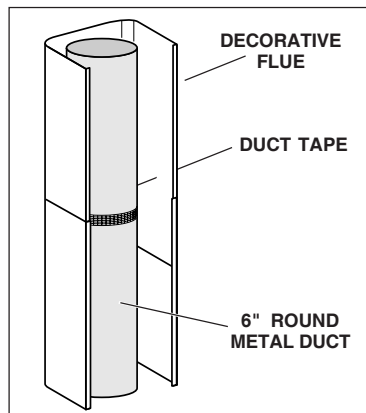
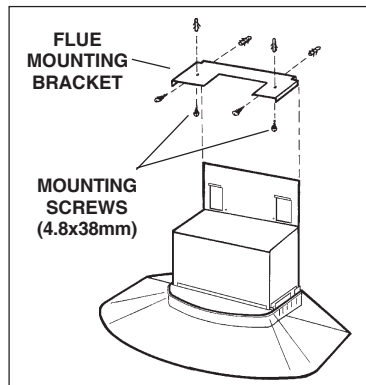
**Note:** This range hood must be properly grounded. The unit should be installed by a qualified electrician in accordance with all applicable national and local electrical codes.

1. Remove the **wiring box cover**. Remove a knockout from the wiring box.
2. Secure the conduit to the wiring box through a conduit connector.
3. Make electrical connections. Connect white to white, black to black and green to green.
4. Replace wiring box cover and screws. Make sure that wires are not pinched between cover and box.



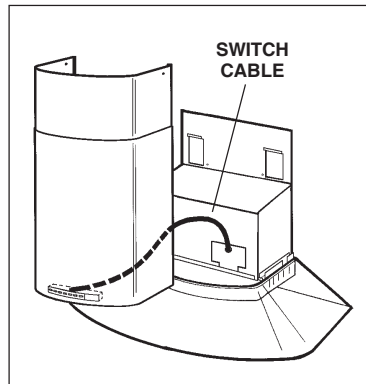
## CONNECT DUCTWORK

1. Use screws (4.8x38mm) and wall anchors (provided) to secure **flue mounting bracket** to the ceiling or wall as shown.
2. Use **6" round metal duct** to connect the duct collar on the hood to the ductwork above.
3. Use **duct tape** to make all joints secure and air tight.

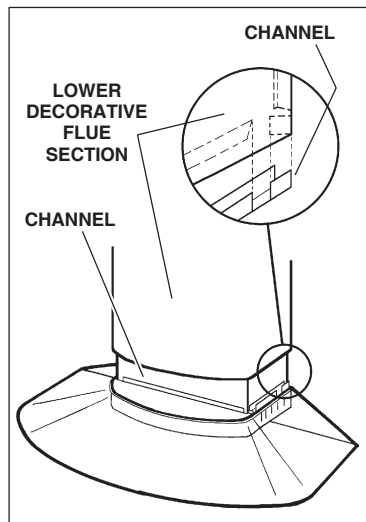


## INSTALL DECORATIVE FLUE

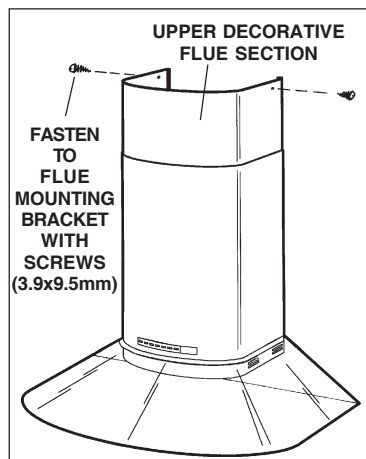
1. Hold the decorative flue near the top of the hood. Connect the **switch cable** from the hood to the decorative flue, as shown.



2. Slide the **lower decorative flue section** downward and into the **channels** on the hood.



3. Raise **upper decorative flue section** and attach it to the **flue mounting bracket** with screws (supplied) - 3.9x9.5mm.



## MAINTENANCE

Proper maintenance of the Range Hood will assure proper performance of the unit.

### **Grease Filter**

Clean the **grease filter** frequently.

Remove the grease filter by pulling it downward.

Use a warm detergent solution. Grease filters are dishwasher safe.

After cleaning the grease filter, remount as follows:

1. Remove the halogen lamps.
2. Remount the grease filter.
3. Remount the halogen lamps.

### **Interior Hood Cleaning**

**DISCONNECT POWER TO HOOD BEFORE CLEANING!**

1. Remove the grease filter as shown above.
2. Remove the light bulbs. (See "HALOGEN BULBS" on next page.)
3. Remove the **metal grille** held in place with four (4) screws.
4. Use a soft cloth and mild detergent solution to wipe interior surfaces clean.
5. Remount the grease filter.
6. Remount the halogen lamps.

### **Exterior Hood Cleaning**

Stainless steel is one of the easiest materials to keep clean. Occasional care will help preserve its fine appearance.

Cleaning tips:

- Hot water with soap or detergent is all that is usually needed.
- Follow all cleaning by rinsing with clear water. Wipe dry with a clean, soft cloth to avoid water marks.
- For discolorations or deposits that persist, use a non-scratching household cleanser or stainless steel polishing powder with a little water and a soft cloth.
- For stubborn cases, use a plastic scouring pad or soft bristle brush together with cleanser and water. Rub lightly in direction of polishing lines or "grain" of the stainless finish. Avoid using too much pressure which may mar the surface.
- **DO NOT** allow deposits to remain for long periods of time.
- **DO NOT** use ordinary steel wool or steel brushes. Small bits of steel may adhere to the surface causing rust.
- **DO NOT** allow salt solutions, disinfectants, bleaches, or cleaning compounds to remain in contact with stainless steel for extended periods. Many of these compounds contain chemicals which may be harmful. Rinse with water after exposure and wipe dry with a clean cloth.

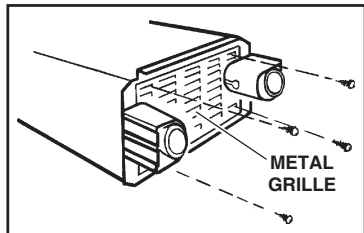
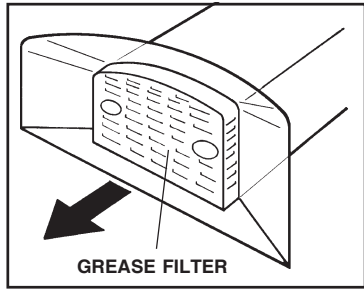
Painted surfaces should be cleaned with warm water and mild detergent only.

### **Glass Cleaning**

Use a soft cloth and a glass cleaning solution only!

**DO NOT** use abrasive cloths, steel wool, or scouring pads.

**DO NOT** use strong cleaning solutions or abrasive powders.





## OPERATION

### Controls

The hood is operated using the (7) push-buttons located at eye-level, on the front of the decorative flue.

The **light switch** turns the halogen lights on and off. Push the light switch once to turn the lights ON - push a second time to turn the lights ON to a brighter level - push a third time to turn the lights OFF.

The **blower on/off switch** turns the blower on to its previous running speed. The blower must be turned on using this switch. Turn the blower off by pressing this switch a second time.

The **blower speed lower** switch lowers the blower's running speed. This switch works only when the blower is already running.

The **blower speed higher** switch raises the blower's running speed. This switch works only if the blower is already running.

The **blower speed highest** switch turns the blower on to its highest running speed. This switch works at any time.

The **timed shut-off** switch allows the blower to run for 10 or 20 minutes before shutting itself off. Push the switch once to set for 10 minutes - twice to set for 20 minutes. This switch works only if the blower is running.

The pilot light above the **reset switch** will light after the blower has run for 30 hours. This is a reminder to clean the grease filter. Once the grease filter has been cleaned and replaced, push the reset switch to turn out the pilot light and start a new 30-hour count.

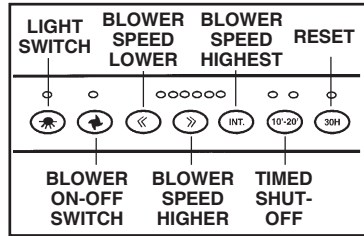
### HEAT SENTRY™

Your hood is equipped with a HEAT SENTRY™ thermostat. This thermostat is a device that will turn on or speed up the blower if it senses excessive heat above the cooking surface.

- 1) If blower is OFF - it turns blower ON to HIGH speed.
  - 2) If blower is ON at a lower speed setting - it turns blower up to HIGH speed.
- When the temperature level drops to normal, the blower will return to its original setting.

### WARNING

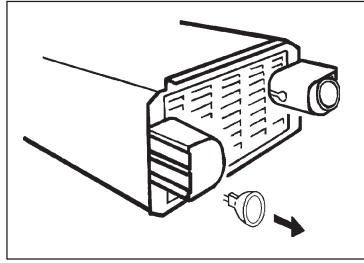
**The HEAT SENTRY thermostat can start the blower even if the hood is turned OFF. When this occurs, it is impossible to turn the blower OFF with its switch. If you must stop the blower, do it from the main electrical panel.**



## HALOGEN BULBS

This range hood requires two halogen bulbs (Type MR16, 12V, 20W). To change bulbs:

1. Remove the grease filter.
2. Remove bulbs by pulling them straight downward. Do not rotate bulbs.
3. Remount the grease filter.
4. Replace bulbs by aligning the bulb's pins with the receptacle holes and pushing bulb upward.



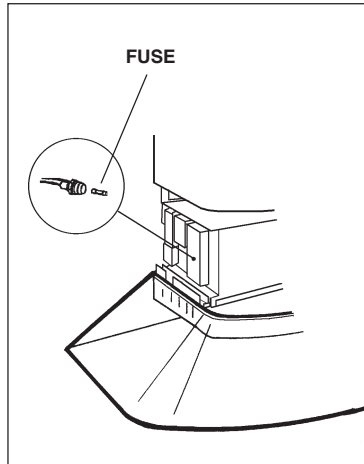
## FUSE REPLACEMENT

### SWITCH OFF THE ELECTRICITY SUPPLY.

Push the lower flue upwards.

Open the electrical box.

Replace with the same type of fuse (5x20mm, 4A, 125V).



## WARRANTY

### BROAN-NUTONE LLC ONE YEAR LIMITED WARRANTY

Broan-NuTone LLC warrants to the original consumer purchaser of its products that such products will be free from defects in materials or workmanship for a period of one year from the date of original purchase. THERE ARE NO OTHER WARRANTIES, EXPRESS OR IMPLIED, INCLUDING, BUT NOT LIMITED TO, IMPLIED WARRANTIES OR MERCHANTABILITY OR FITNESS FOR A PARTICULAR PURPOSE.

During this one-year period, Broan-NuTone LLC will, at its option, repair or replace, without charge, any product or part which is found to be defective under normal use and service.

THIS WARRANTY DOES NOT EXTEND TO FLUORESCENT LAMP STARTERS, TUBES, HALOGEN AND INCANDESCENT BULBS. This warranty does not cover (a) normal maintenance and service or (b) any products or parts which have been subject to misuse, negligence, accident, improper maintenance or repair (other than by Broan-NuTone LLC), faulty installation or installation contrary to recommended installation instructions.

The duration of any implied warranty is limited to the one-year period as specified for the express warranty. Some states do not allow limitation on how long an implied warranty lasts, so the above limitation may not apply to you.

BROAN-NUTONE LLC'S OBLIGATION TO REPAIR OR REPLACE, AT BROAN-NUTONE LLC'S OPTION, SHALL BE THE PURCHASER'S SOLE AND EXCLUSIVE REMEDY UNDER THIS WARRANTY. BROAN-NUTONE LLC SHALL NOT BE LIABLE FOR INCIDENTAL, CONSEQUENTIAL OR SPECIAL DAMAGES ARISING OUT OF OR IN CONNECTION WITH PRODUCT USE OR PERFORMANCE. Some states do not allow the exclusion or limitation of incidental or consequential damages, so the above limitation or exclusion may not apply to you.

This warranty gives you specific legal rights, and you may also have other rights, which vary from state to state. This warranty supersedes all prior warranties.

To qualify for warranty service, you must (a) notify Broan-NuTone LLC at the address stated below or telephone: 1-800-637-1453, (b) give the model number and part identification and (c) describe the nature of any defect in the product or part. At the time of requesting warranty service, you must present evidence of the original purchase date.

**Broan-NuTone LLC.** 926 West State Street, Hartford, WI 53027 (1-800-637-1453)  
**NuTone, Inc.,** 4820 Red Bank Road, Cincinnati, OH 45227 (1-800-543-8687)

# LISEZ ET CONSERVEZ CES INSTRUCTIONS

 **SEULEMENT POUR UTILISATION DOMESTIQUE** 

## **AVERTISSEMENTS**

**POUR REDUIRE LES RISQUES D'INCENDIE, DE DECHARGES ELECTRIQUES OU DE DOMMAGES AUX PERSONNES, OBSERVEZ LES INSTRUCTIONS SUIVANTES:**

1. N'utilisez cet appareil que comme cela est indiqué par le constructeur. Si vous avez des problèmes, contactez le fabricant à l'adresse ou au numéro de téléphone indiqués dans la garantie.
2. Avant de pouvoir à l'entretien ou au nettoyage de votre appareil, éteignez-le au tableau des commandes ou bloquez le tableau des commandes afin d'éviter de le mettre en marche accidentellement. Si vous ne pouvez pas bloquer le système permettant d'éteindre votre appareil, appliquez un avertissement extérieur d'une façon sûre, comme par exemple un panneau, sur le tableau des commandes.
3. L'assemblage et la connexion électrique doivent être faits par des personnes qualifiées en respectant les normes et règlements en vigueur, y compris les normes et règlements concernant les possibilités d'incendie.
4. Il est indispensable qu'il y ait suffisamment d'air pour que la combustion et l'évacuation des gaz à travers le tuyau du brûleur du combustible ait lieu sans retour de flamme. Suivez les indications données par le fabricant du brûleur ainsi que les normes de sécurité comme celles qui sont publiées par l'Association Nationale pour la Protection contre les Incendies National Fire Protection Association (NFPA) et la American Society for Heating, Refrigeration and Air Conditioning Engineers (ASHRAE), et les autorités locales en matière de normes.
5. Quand vous coupez ou percez des trous dans le mur ou le plafond, n'abîmez pas les fils électriques ou autres.
6. Le ventilateur canalisé doit toujours évacuer l'air vers l'extérieur.
7. N'utilisez pas cet appareil avec un appareil contrôlant la vitesse à état solide.
8. Afin de diminuer tout risque d'incendie n'utilisez que des conduits en métal.
9. Votre appareil doit être relié à la terre.

**ATTENTION - POUR REDUIRE LES RISQUES D'INCENDIE DES MATIERES GRASSES QUI SONT EN TRAIN DE CUIRE:**

- A. Ne laissez jamais ni vos éléments chauffants, ni vos casseroles ou poêles sur le feu sans les contrôler si vous réglez l'apport de chaleur sur une position élevée. Si vos casseroles ou poêles débordent cela provoque de la vapeur et des éclaboussures de graisse qui peuvent prendre feu. Chauffez les huiles lentement à feu bas ou moyen.
- B. Faites toujours fonctionner votre hotte quand vous cuisez à des températures élevées ou quand vous cuisinez des plats flambés. (par ex. crêpes Suzette, Cerises "Jubilé", Steak au poivre flambé).
- C. Nettoyez régulièrement les ailes de vos ventilateurs. Ne permettez pas que la graisse s'accumule sur le ventilateur ou sur le filtre.
- D. Utilisez des casseroles de taille appropriée. Utilisez toujours des ustensiles de cuisson dont la taille est appropriée à la surface de votre élément de cuisson.

## **AVERTISSEMENTS**

**POUR REDUIRE LES RISQUES DE DOMMAGES AUX PERSONNES AU CAS OÙ VOTRE CUISINIÈRE PRENDRAIT FEU, OBSERVEZ LES INSTRUCTIONS SUIVANTES:\***

1. **ETEINDRE LES FLAMMES** à l'aide d'un couvercle le plus hermétique possible, une plaque à gâteaux, ou un plateau en métal, puis éteindre le brûleur. **ATTENTION à NE PAS VOUS BRÛLER.** Si les flammes ne s'éteignent pas immédiatement, **SORTEZ ET APPELEZ LES POMPIERS.**
2. **NE PRENEZ JAMAIS EN MAIN UNE POÊLE OU UNE CASSEROLE QUI A PRIS FEU** - Vous pourriez vous brûler.
3. **N'UTILISEZ PAS D'EAU,** ni torchons ou serviettes mouillés - vous provoqueriez une violente explosion de vapeur.

4. Utilisez un extincteur SEULEMENT si:
    - A. Vous savez que vous avez un extincteur Classe ABC, et vous en connaissez déjà le mode d'emploi.
    - B. Ce n'est pas un très gros incendie et qu'il se limite à l'endroit où il a explosé.
    - C. Vous êtes en train d'avertir les pompiers.
    - D. Vous avez la possibilité d'essayer d'éteindre l'incendie en ayant le dos tourné vers une issue.
- \* D'après les "Suggestions concernant la Sécurité contre les incendies des cuisines" publiées par NFPA.

## ATTENTION

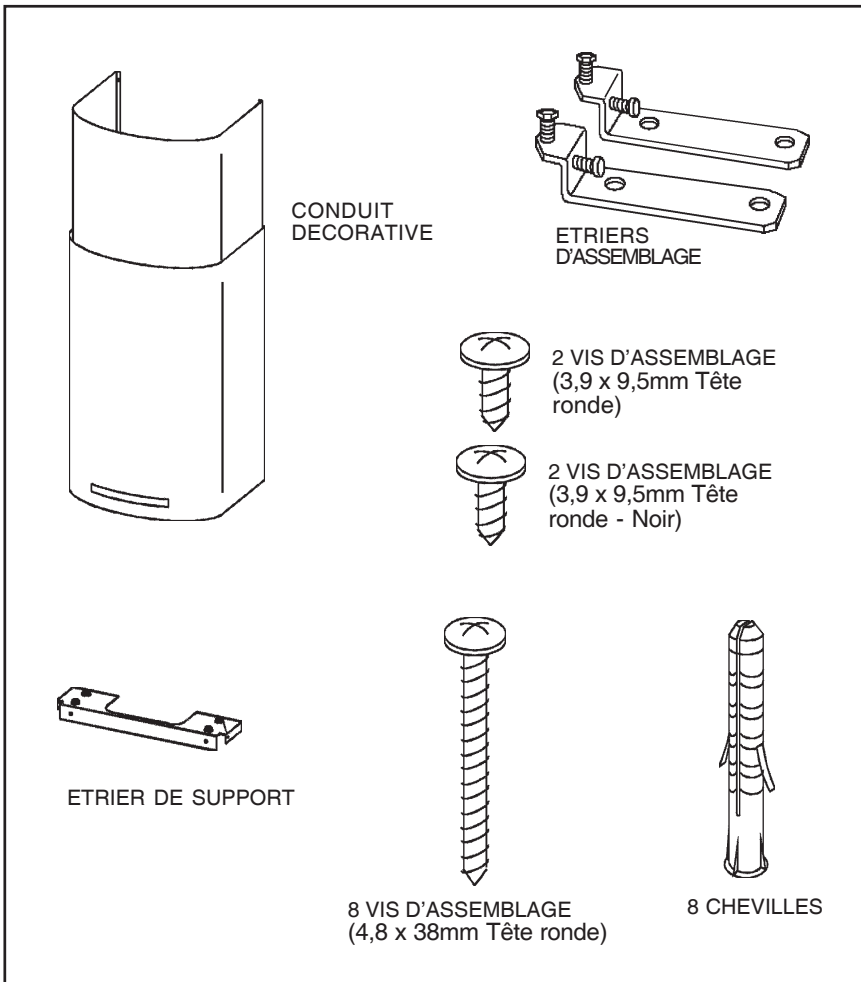
1. Pour réduire tout risque d'incendie et pour évacuer correctement l'air, assurez-vous de prévoir un conduit de ventilation extérieur. Ne videz pas l'air dans les espaces limités par des murs ou des plafonds, les combles, les passages étroits ou les garages.
2. Faites très attention quand vous utilisez des produits de nettoyage ou des détergents.
3. Évitez d'utiliser des aliments pouvant s'enflammer sous la Range Hood.
4. N'utilisez cet appareil que pour une ventilation générale. Ne l'utilisez pas pour évacuer des matières ou des vapeurs dangereuses ou qui peuvent exploser.
5. Pour éviter de causer des dommages au moteur et de rendre les rotors bruyants et/ou non équilibrés, évitez que les sprays pour murs secs, la poussière de construction entrent en contact avec la partie électrique.
6. Le moteur de votre hotte a un thermostat qui éteindra automatiquement le moteur s'il est surchauffé. Le moteur se remettra en marche lorsqu'il se sera refroidi. Si le moteur continue à s'éteindre et à se remettre en marche, faites vérifier votre hotte.
7. Pour mieux capturer les impuretés de cuisine, le bas de votre hotte devrait être à une distance minimum de 24" et à une distance maximum de 30" au-dessus du plan de cuisson.
8. Vu que cette hotte est grande et lourde, il est recommandé de confier l'installation de cette hotte à deux personnes.
9. Ce produit est doté d'un thermostat qui active automatiquement le moteur. Pour réduire le risque de dommages et éviter l'activation accidentelle, positionner l'interrupteur du panneau de service sur la position OFF et bloquer le panneau de service ou mettre un avertissement externe, par exemple une plaquette.
10. Utiliser uniquement avec un kit de connexion pour alimentation homologué.
11. Nous vous recommandons de lire l'étiquette indiquant les caractéristiques de votre hotte pour de plus amples informations et exigences.

## PREPAREZ LA HOTTE

Enlever la hotte dans l'emballage et contrôler le contenu.

Vous devez recevoir :

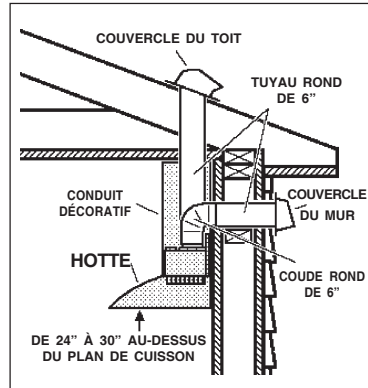
- 1 - Hotte
- 1 - Conduit décoratif
- 1 - Sachet (B080810285) avec:
  - 2 - Étriers d'assemblage
  - 8 - Vis d'assemblage (4,8 x 38mm Tête ronde)
  - 8 - Chevilles
  - 2 - Vis d'assemblage (3,9 x 9,5mm Tête ronde)
  - 2 - Vis d'assemblage (3,9 x 9,5mm Tête ronde Noir)
  - 1 - Étrier de support
- 1 - Instructions pour l'installation



# INSTALLATION DU SYSTEME D'EVACUATION

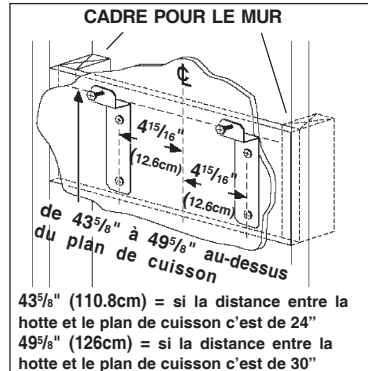
**REMARQUE: Pour réduire les risques d'incendie, n'utilisez que des tuyaux en métal.**

1. Décidez où le tuyau doit être installé, entre votre hotte et l'extérieur.
2. Un tuyau droit et court permettra à votre hotte de fonctionner d'une façon plus efficace.
3. Un tuyau long avec des coudes et des transitions réduira le bon fonctionnement de votre hotte. En utiliser le moins possible.
4. Installez un couvercle sur le toit ou au mur. Reliez un tuyau en métal rond de 6" au couvercle et faites-le aller jusqu'à l'emplacement de votre hotte. Rendez les jonctions du tuyau hermétiques au moyen d'un ruban pour tuyaux.



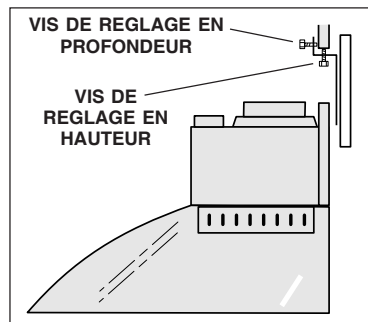
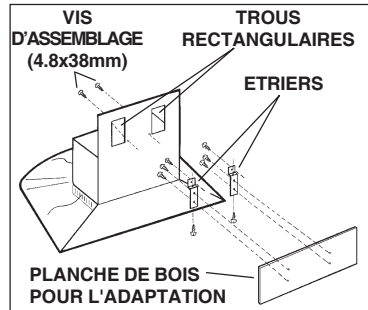
# INSTALLATION DES ETRIER D'ASSEMBLAGE

1. Construisez un **cadre** en bois pour le mur dont les vis-pivot ne dépassent pas. Assurez-vous:
  - a) que le cadre est centré au-dessus de l'emplacement de l'installation.
  - b) la hauteur du cadre permettra que les **étriers d'assemblage** soient fixés au cadre en respectant les dimensions indiquées.
2. Après avoir terminé la surface du mur, fixez les **étriers d'assemblage** au cadre en respectant les dimensions qui sont indiquées.



# INSTALLATION DE VOTRE HOTTE

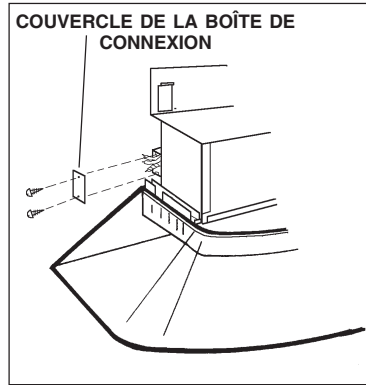
1. Accrochez votre hotte aux étriers par les **trous rectangulaires** qui se trouvent derrière votre hotte. Les trous sont plus grands que les étriers afin de vous permettre d'ajuster le tout horizontalement. Le fond de votre hotte devrait être à entre 24" et 30" au-dessus de la surface de cuisson.
2. Les **vis de réglage en hauteur** permettent de régler verticalement.
3. Les **vis de réglage en profondeur** permettent de régler horizontalement.
4. Fixez votre hotte avec des **vis d'assemblage** (4.8x38mm). Utilisez des chevilles pour mur à sec, qui vous sont fournies, si vous ne trouvez pas les vis-pivot ou le cadre.



## INSTALLATION ELECTRIQUE

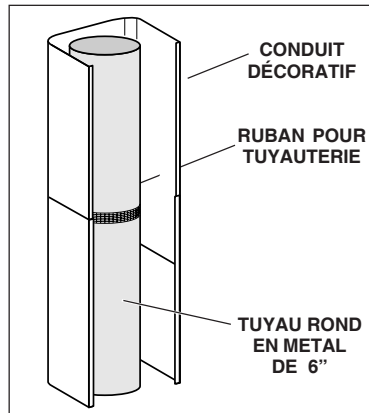
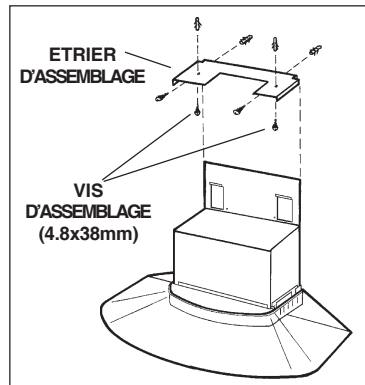
**Remarque: Ce modèle de hotte doit être relié à la terre correctement. Cet article devrait être installé par un électricien qualifié selon les lois nationales et locales en matière d'électricité.**

1. Enlevez le couvercle de la **boîte de connexion électrique**. Ouvrez un trou de la boîte de connexion électrique.
2. Fixer le "conduit" au boîtier de connexion à l'aide d'un connecteur approprié pour ce "conduit".
3. Faites le raccordement électrique. Reliez le blanc au blanc, le noir au noir et le vert au vert.
4. Remettez le couvercle de la boîte de connexion et les vis. Assurez-vous que les fils se sont pas coincés entre le couvercle et la boîte.



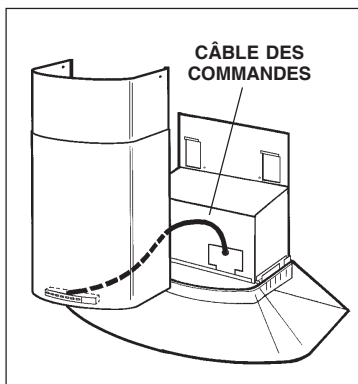
## CONNEXION DU SYSTEME D'EVACUATION

1. Fixez l'**étrier d'assemblage** du conduit au plafond ou au mur, comme cela est indiqué, à l'aide des vis (4.8x38mm) et des chevilles (qui vous sont fournies).
2. Utilisez un **tuyau rond en métal de 6"** pour relier le collier du tuyau qui se trouve sur votre hotte au système d'évacuation qui se trouve au-dessus.
3. Utilisez du **ruban pour tuyauterie** pour que les jonctions soient sûres et étanches.

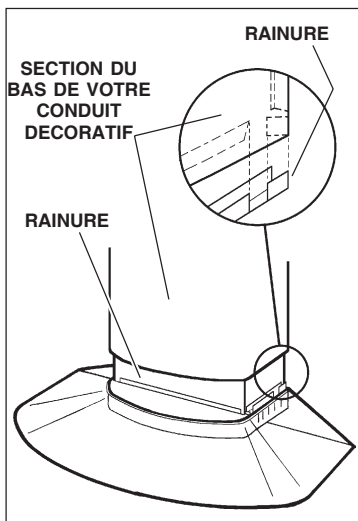


## INSTALLATION DU CONDUIT DECORATIF

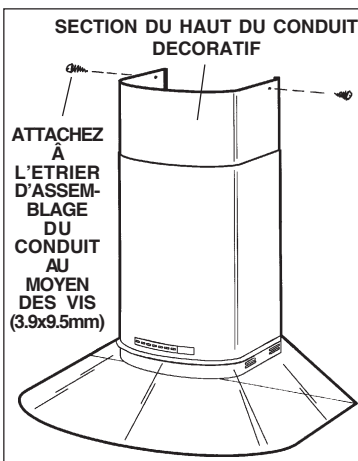
1. Tenez le conduit décoratif près du haut de votre hotte. Reliez le **câble des commandes** de votre hotte au conduit décoratif, comme cela est indiqué.



2. Faites glisser la **section du bas** de votre conduit décoratif vers le bas, dans les **rainures** de votre hotte.



3. Tenez la **section du haut** de votre conduit décoratif et attachez-le à l'**étrier d'assemblage** du conduit au moyen des vis (qui vous sont fournies) - 3.9x9.5mm.





## ENTRETIEN

Un bon entretien de votre hotte garantira une excellente performance.

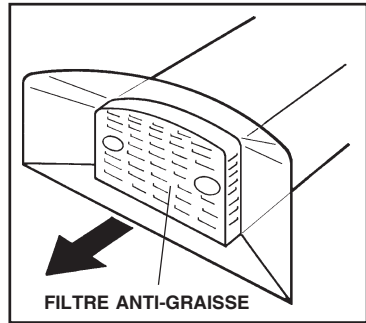
### **Filtere anti-graisse**

Nettoyez le **filtere anti-graisse** fréquemment. Enlevez le filtere anti-graisse en le tirant vers le bas.

Utilisez une solution détergente tiède. Les filteres anti-graisse peuvent être lavés au lave-vaisselle.

Une fois le filtere anti-graisse nettoyé, procéder comme suit pour son remontage:

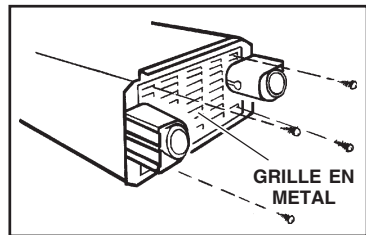
- 1.Retirer les ampoules halogènes.
- 2.Remonter le filtere anti-graisse.
- 3.Remettre en place les ampoules halogènes.



### **Nettoyage de l'intérieur de votre hotte**

DEBRANCHEZ VOTRE HOTTE AVANT DE LA NETTOYER!

1. Enlevez le filtere anti-graisse comme cela est indiqué plus haut.
2. Enlevez les ampoules. (Voir "AMPOULES HALOGENES" à la page suivante).
3. Enlevez la **grille en métal** en dévissant les quatre (4) vis qui la fixent.
4. Lavez l'intérieur de votre hotte au moyen d'un chiffon doux imprégné d'une solution contenant un détergent neutre.
5. Remonter le filtere anti-graisse.
6. Remettre en place les ampoules halogènes.



### **Nettoyage de l'extérieur de votre hotte**

L'acier inoxydable est une des matières les plus faciles à nettoyer. Un entretien de temps en temps permettra de le conserver en parfait état. Conseils pour le nettoyage:

- Eau chaude et savon ou détergent est tout ce qui est normalement nécessaire.
- Après chaque nettoyage, rincez bien à l'eau claire. Essuyez avec un chiffon propre et doux afin d'éviter les taches d'eau.
- Si des décolorations ou des dépôts persistent, utilisez un nettoyant domestique non abrasif ou de la poudre pour l'acier inoxydable et un peu d'eau et un chiffon doux.
- Dans les cas difficiles, utilisez une éponge en plastique ou une brosse douce avec du nettoyant et de l'eau. Frottez légèrement en suivant la direction du polissage ou du "grain" de l'acier inoxydable. Evitez de frotter trop fort afin de ne pas abîmer la surface.
- **NE LAISSEZ PAS** les taches trop longtemps.
- **N'UTILISEZ PAS** de laines d'acier ordinaires ou des brosses en acier. Des débris d'acier pourraient adhérer à la surface et causer de la rouille.
- **NE PERMETTEZ PAS** que des solutions salées, des désinfectants, des blanchissants ou des produits nettoyants restent en contact avec l'acier pendant longtemps. Beaucoup de ces produits contiennent des produits chimiques qui pourraient causer des dommages. Rincez à l'eau immédiatement s'ils entrent en contact et essuyez avec un chiffon humide.

Les surfaces peintes doivent être nettoyées avec de l'eau tiède additionnée d'un détergent doux seulement.

### Nettoyage du verre

Utilisez seulement un chiffon doux et un produit nettoyant pour le verre!  
N'UTILISEZ PAS d'éponges abrasives, de laine d'acier ou de produits dégraissants  
N'UTILISEZ PAS de solutions nettoyantes fortes ni de poudres abrasives.

## FONCTIONNEMENT

### Commandes

Votre hotte fonctionne grâce aux (7) boutons sur lesquels vous devez appuyer et qui se trouvent au niveau de vos yeux, sur le devant du conduit décoratif.

Le **bouton de la lumière** allume et éteint les lampes halogènes. En pressant 1 fois la touche, la lumière s'allume au 1<sup>er</sup> niveau; en pressant 2 fois la touche, la lumière du 2<sup>ème</sup> niveau s'allume (éclairage plus intense); en pressant encore une fois la touche, la lumière s'éteint.

Le **bouton ON-bas/OFF** du ventilateur fait fonctionner le ventilateur à la vitesse qu'il avait auparavant. Le ventilateur doit être en marche pour vous servir de ce bouton. Arrêtez le ventilateur en appuyant une deuxième fois.

Le **bouton vitesse plus basse** du ventilateur diminue la vitesse du ventilateur. Ce bouton ne fonctionne que si le ventilateur fonctionne déjà.

Le **bouton vitesse plus haute** du ventilateur augmente la vitesse du ventilateur. Ce bouton ne fonctionne que si le ventilateur fonctionne déjà. Le **bouton vitesse plus élevée** du ventilateur augmente la vitesse au maxim.

Ce bouton fonctionne à tout moment.

Le **bouton du timer** permet que le ventilateur fonctionne de 10 à 20 minutes avant qu'il ne s'arrête tout seul. Appuyez sur le bouton une fois pour le régler sur 10 minutes - deux fois pour le régler sur 20 minutes. Ce bouton ne fonctionne que si le ventilateur est en marche.

Le voyant lumineux qui se trouve au-dessus du **bouton reset** s'allumera au bout de 30 heures de fonctionnement du ventilateur. Cela vous rappelle que vous devez nettoyer le filtre anti-graisse. Après avoir nettoyé et remis en place le filtre anti-graisse, appuyer sur le bouton reset pour éteindre le voyant lumineux et faire qu'il recommence à compter 30 heures.

### HEAT SENTRY<sup>MC</sup>

Votre hotte est munie d'un thermostat HEAT SENTRY<sup>MC</sup>. Ce thermostat est un dispositif qui actionnera ou augmentera la vitesse du ventilateur s'il détecte une chaleur excessive au-dessus de la surface de cuisson.

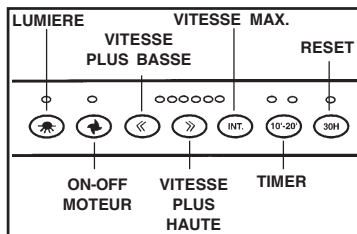
1) Si le ventilateur n'est pas en marche - il actionnera le ventilateur en haute vitesse.

2) Si le ventilateur fonctionne en basse vitesse - le ventilateur tournera en haute vitesse.

Lorsque la température revient à la normale, le ventilateur retourne à sa vitesse d'origine.

### AVERTISSEMENT

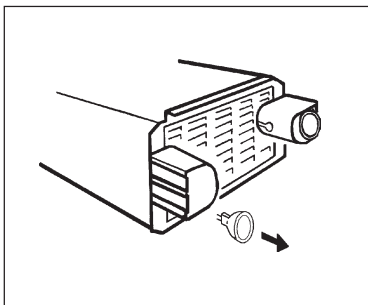
**Le thermostat HEAT SENTRY<sup>MC</sup> peu actionner la hotte même si la hotte est arrêtée. Si tel est le cas, il est impossible de l'arrêter avec l'interrupteur. Si vous devez arrêter le ventilateur, faites-le à partir du panneau électrique principal.**



## AMPOULES HALOGENES

Ce modèle de hotte a deux ampoules halogènes (Type MR16, 12V, 20W) Pour changer les ampoules:

1. Enlever le filtre anti-graisse
2. Enlever les ampoules en les tirant tout droit vers le bas. Ne pas faire tourner les ampoules.
3. Remonter le filtre anti-graisse.
4. Remettre les ampoules en alignant les fiches des ampoules avec les cavités à l'intérieur desquelles elles doivent être insérées et en poussant les ampoules vers le haut.



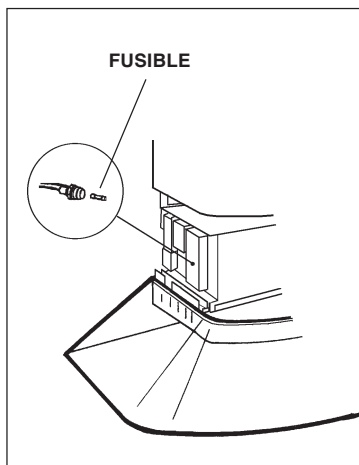
## REPLACEMENT FUSIBLE

### DÉBRANCHEZ L'APPAREIL.

Poussez vers le haut le conduit inférieur.

Ouvrir le boîtier installation électrique.

Remplacez par un fusible du même type (5x20mm, 4A, 125V).



## GARANTIE

### GARANTIE BROAN-NUTONE LLC LIMITÉE À UN AN

Broan-NuTone LLC garantit au consommateur-acheteur de ses produits que ces produits seront sans défauts concernant les matières employées et concernant la fabrication pendant une période d'un an à partir de la date d'achat. IL N'Y A AUCUNE AUTRE GARANTIE, EXPLICITE OU IMPLICITE, Y COMPRIS, MAIS NON PAS LIMITEE A, LES GARANTIES IMPLICITES OU CONCERNANT LA CAPACITE COMMERCIALE OU LA CONVENANCE POUR TOUT BUT PARTICULIER. Pendant cette période d'un an, Broan-NuTone LLC réparera ou remplacera, s'il le jugera nécessaire, gratuitement, tout article ou toute pièce qui résulteront défectueux à condition qu'ils aient été utilisés et entretenus correctement.

CETTE GARANTIE NE S'ETEND PAS AUX INTERRUPTEURS DES NEON, NEON, LAMPES HALOGENES, AMPOULES d'ILLUMINATION. Cette garantie ne couvre pas (a) l'entretien normal ni (b) tout article ou toute pièce qui aient subi une utilisation erronée, une négligence, un accident, un entretien erroné ou une réparation (autre que de la part de Broan-NuTone LLC), une installation défectueuse ou bien une installation ne respectant pas les instructions d'installation recommandées. La durée de toute garantie implicite est limitée à un an comme cela est spécifié dans la garantie explicite. Quelques états ne permettent pas de limites quant à la durée d'une garantie implicite, par conséquent la limitation indiquée ci-dessus peut ne pas vous concerner.

L'OBLIGATION DE REPARER OU DE REMPLACER DE LA PART DE BROAN-NUTONE LLC SERA LE SEUL ET EXCLUSIF REMEDE DE L'ACHETEUR COUVERT PAR CETTE GARANTIE. BROAN-NUTONE LLC NE SERA PAS RESPONSABLE DES DOMMAGES ACCIDENTELS, CONSEQUENTIELS OU SPECIAUX DUS A L'UTILISATION DU PRODUIT OU A SA PERFORMANCE OU EN ETANT LA CONSEQUENCE. Quelques états ne permettent pas l'exclusion ou la limitation des dommages accidentels ou consécutifs, par conséquent la limitation indiquée ci-dessus peut ne pas vous concerner.

Cette garantie vous donne des droits légaux spécifiques, et vous pouvez aussi avoir d'autres droits, qui varient d'Etat à Etat. Cette garantie dépasse toute garantie précédente. Pour avoir droit à la garantie, vous devez (a) avertir la Maison Broan-NuTone LLC à l'adresse indiquée ci-dessous ou téléphoner : 1-800-637-1453, (b) donner le numéro du modèle et l'identification de la pièce défectueuse et (c) décrire la nature de tout défaut de l'article ou de la pièce. Au moment où vous demandez le service de garantie, vous devez présenter la preuve d'achat avec la date.

**Broan-NuTone LLC**, 926 West State Street, Hartford, WI 53027 (1-800-637-1453)  
**NuTone, Inc.**, 4820 Red Bank Road, Cincinnati, OH 45227 (1-800-543-8687)

# LEA Y CONSERVE ESTAS INSTRUCCIONES

 **INDICADO PARA EL USO EN COCINAS DOMESTICAS** 

  **ADVERTENCIA**

**PARA EVITAR EL RIESGO DE INCENDIO, CORTOCIRCUITO O DAÑO PARA LAS PERSONAS, OBSERVE ATENTAMENTE LAS SIGUIENTES NORMAS:**

1. Use esta unidad solamente de la manera indicada por el fabricante; si tiene dudas, póngase en contacto con éste a la dirección o teléfono indicados en la garantía.
2. Antes de hacer una revisión o de limpiar la unidad, desconéctela de la red para evitar que se encienda de manera accidental. En el caso de que éste no pueda ser desactivado, se indicará nel panel de servicio.
3. El montaje y la instalación eléctrica debe hacerlos un técnico especializado siguiendo las normas estándar e incluyendo aquellas de construcción anti incendio.
4. Necesita aire suficiente para una apropiada combustión y escape de gases a través del tubo del depósito de quema de combustible. Para evitar que el humo aspirado vuelva a la cocina, siga las directivas del fabricante y las normas estándar de seguridad así como las normas publicadas por la Asociación de prevención de incendios (NFPA) y la Sociedad americana de especialistas en calefacción, refrigeración y aire acondicionado y además las normas de las autoridades locales.
5. Hacer un corte o un taladro en la pared o en el techo no debe dañar la instalación eléctrica u otras instalaciones ocultas en la pared.
6. Los conductos ventiladores deben siempre desalojar al exterior.
7. No use esta unidad con dispositivo de control de la velocidad a estado sólido.
8. Para evitar el riesgo de incendio, use solamente conductos de metal.
9. Esta unidad tiene que ser conectada a tierra.

**PARA EVITAR EL RIESGO DE FUEGO POR ALTO NIVEL DE GRASA:**

- A. Nunca abandone los quemadores con el fuego alto. La cocción causa humo y restos de grasa que pueden arder. Caliente el aceite a fuego medio o bajo.
- B. Encienda siempre la campana cuando cocine a fuego alto o cuando cocine alimentos fácilmente inflamables. (por ejemplo Crepes Suzette, Cerezas Jubilee, Ternera flambeada con granos de pimienta).
- C. Limpie con frecuencia los ventiladores. No se debe acumular grasa en el ventilador o en el filtro.
- D. Usa el tamañ de cazuela apropiado. Use siempre utensilios de cocina de tamaño y material adecuados.

  **ADVERTENCIA**

**PARA EVITAR EL RIESGO DE DAÑOS A PERSONAS EN CASO DE FUEGO POR ALTO NIVEL DE GRASA, TENGA EN CUENTA LO SIGUIENTE:\***

1. SOFOQUE LA LLAMA con una tapadera apropiada, una bandeja metálica ó un utensilio de cocina que pueda cubrirla, despues, apague el quemador. ACTÚE CON PRECAUCIÓN PARA EVITAR QUEMADURAS. Si la llama no se extingue inmediatamente, SALGA Y LLAME A LOS BOMBEROS.
2. NUNCA COJA UNA SARTEN EN LLAMAS, porque corre el riesgo de quemarse.
3. NO USE AGUA ni paños o toallas húmidas porque puede provocarse una violenta humareda.
4. Use un extintor SOLAMENTE si:
  - A. Posee un extintor de clase ABC y sabe perfectamente cómo usarlo.
  - B. El fuego es pequeño y está controlado en el mismo sitio en que empezó.
  - C. Ha llamado con anterioridad a los bomberos.
  - D. Puede combatir el fuego retrocediendo hacia la salida.

\* Basado en "Seguridad antifuego en la cocina" publicado por NFPA.



## ADVERTENCIA

---

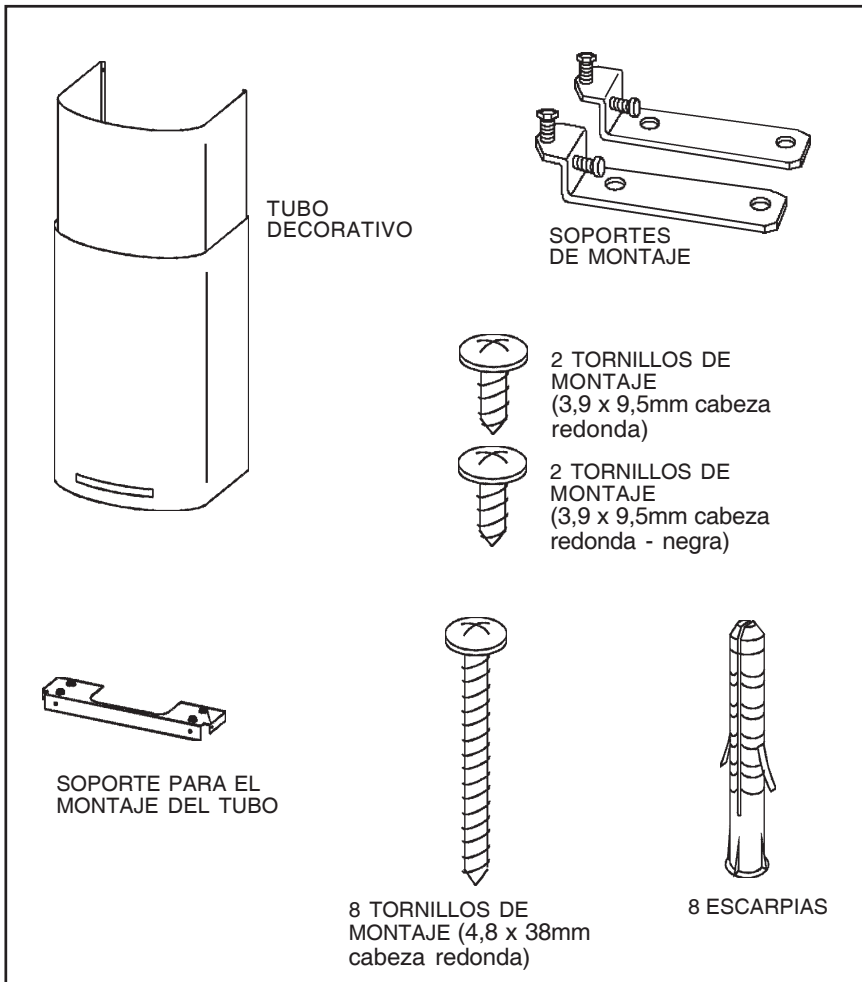
1. Para reducir el riesgo de incendios y para evacuar correctamente los humos, asegurarse de haber realizado una conducción del aire hasta el exterior. No expulsar los humos en espacios cerrados por paredes o techos, áticos, espacios angostos o garajes.
2. Prestar la máxima atención al utilizar productos de limpieza o detergentes.
3. Evitar el uso de productos alimentarios que puedan inflamarse bajo la campana.
4. Sólo para ventilación total. No use gases de escape peligrosos o materiales y vapores explosivos.
5. Para evitar daños en el funcionamiento del motor e impulsores ruidosos y/o desequilibrados, mantenga alejados de la unidad de encendido pulverizadores en seco o polvo.
6. El motor tiene un nivel de sobrecarga térmica que apaga automáticamente el motor cuando se ha recalentado excesivamente. El motor se pone de nuevo en funcionamiento cuando la temperatura baja. Si el motor comienza a encenderse y a apagarse, deberá hacer una revisión de éste.
7. Para limpiar mejor las impurezas al cocinar, la distancia entre la parte inferior de la campana y la zona de cocción debe ser mínimo 24" - máximo 30".
8. Debido a su gran tamaño y peso, se recomienda su montaje por parte de dos técnicos especializados.
9. Este producto está dotado de un termostato que pone en marcha automáticamente el motor. Para reducir el riesgo de daños y evitar que se encienda accidentalmente, colocar el interruptor del panel de servicio en la posición OFF y bloquear el panel de servicio o colocar una advertencia externa como por ejemplo un letrero o una chapita.
10. Use solamente con juego de conexión para alimentación aprobado.
11. Se recomienda leer la placa de características del producto para ulterior información.

## PREPARE LA CAMPANA

Sacar la campana de l'embalaje y controlar el contenido.

Recivireis:

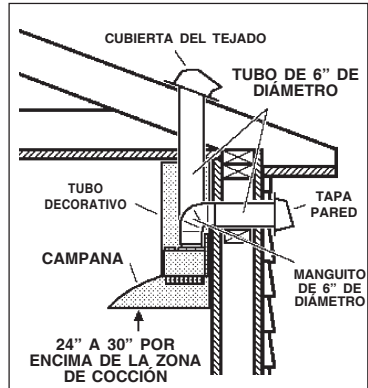
- 1 - Campana
- 1 - Tubo decorativo
- 1 - Bolsita (B080810285) con:
  - 2 - Soportes de montaje
  - 8 - Tornillos de montaje (4,8 x 38mm cabeza redonda)
  - 8 - Escarpías
  - 2 - Tornillos de montaje (3,9 x 9,5mm cabeza redonda)
  - 2 - Tornillos de montaje (3,9 x 9,5mm cabeza redonda - negra)
  - 1 - Soporte para el montaje del tubo
- 1 - Instrucciones para instalación



# INSTALACION DEL TUBO DE EXTRACCION

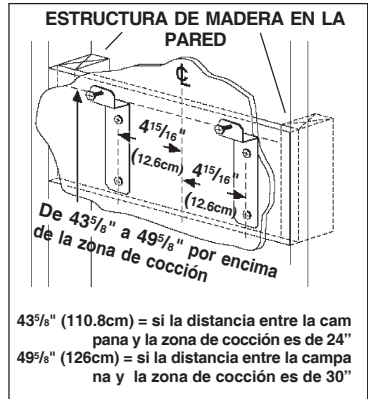
**NOTA:** para evitar el riesgo de incendio, use solamente material de metal.

1. Decida donde va a colocar el tubo de extracción entre la campana y la parte exterior.
2. Un recorrido de tubo corto y recto permitirá a la campana funcionar de manera más eficaz.
3. Los recorridos largos de tubo, codos y manguitos impiden el buen funcionamiento de la campana. Use el menor número de ellos posible.
4. Instale una cubierta ó una tapa. Una el tubo de metal de 6" de diámetro a la cubierta y retroceda hasta la posición de la campana. Use una cinta para precintar las juntas entre las partes del entubado.



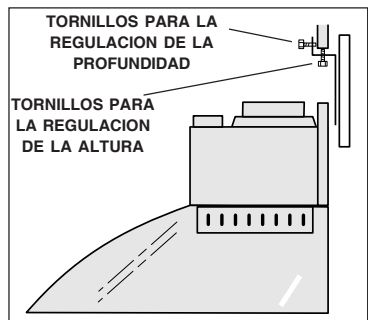
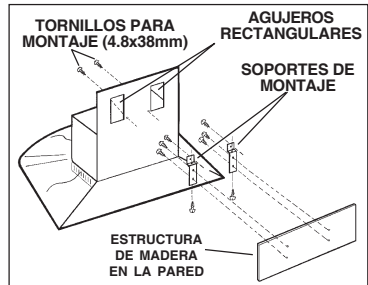
# INSTALACION DE LOS SOPORTES PARA EL MONTAJE

1. Construya una **estructura de madera** en la pared que quedará nivelada con la parte interior de los tacos en la pared. Asegúrese de que:
  - a) La estructura se encuentra centrada por encima de la instalación del tubo.
  - b) La altura de la estructura permite fijar los **soportes** para el montaje en esta estructura siguiendo las dimensiones indicadas.
2. Una vez que la superficie de la pared esté acabada, sujete los soportes para el montaje siguiendo las dimensiones indicadas.



# INSTALACION DE LA CAMPANA

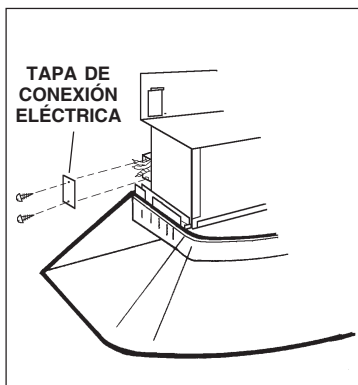
1. Cuelgue la campana de los **soportes** por los **agujeros rectangulares** situados detrás de la campana. Los agujeros son más grandes que los soportes para permitir el ajuste en horizontal. La parte inferior de la campana debe estar a una distancia de 24" ó 30" por encima de la zona de cocción.
2. Los **tornillos para la regulación de la altura** permiten un ajuste en vertical.
3. Los **tornillos para la regulación de la profundidad** permiten un ajuste en horizontal.
4. Sujete la campana con **tornillos para montaje** (4.8x38mm). Use escarpas si no dispone de tacos o de la estructura de soporte en madera.



## INSTALACION ELECTRICA

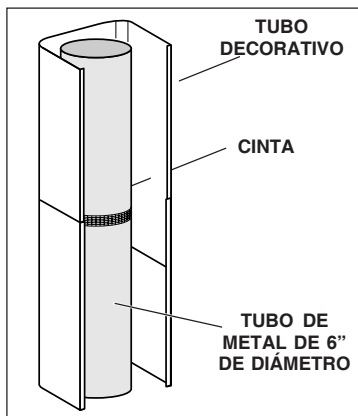
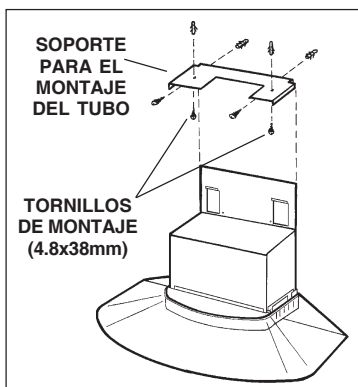
**Nota:** Este tipo de campana tiene que ser conectada a tierra cuidadosamente. La unidad debe instalarla un técnico electricista siguiendo las normas nacionales y locales.

1. Quite la **tapa de la caja de conexión eléctrica** y saque un cable.
2. Fije el "conduit" a la caja de conexión por medio de un conector idóneo para el "conduit".
3. Haga las conexiones eléctricas, una blanco con blanco, negro con negro y verde con verde.
4. Vuelva a conectar la tapa de la caja de conexión. Compruebe que los cables no queden pillados.



## ENTUBADO DE CANALIZACION

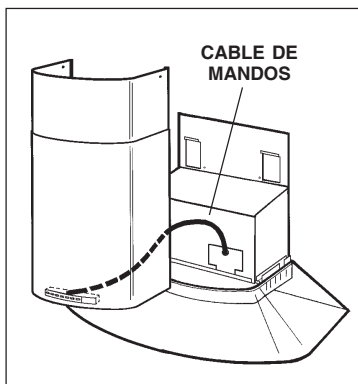
1. Use tornillos (4.8x38mm) y escarpas (adjuntos), para fijar en el techo o en la pared el **soporte para el montaje** del tubo como se indica.
2. Use el **tubo de metal de 6" de diámetro** para unir el casquillo situado arriba de la campana al tubo que está arriba.
3. Use la **cinta** para unir todas las juntas y que el tubo quede hermético.



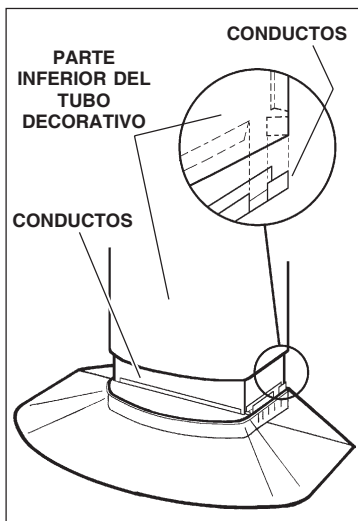


## INSTALACION DEL TUBO DECORATIVO

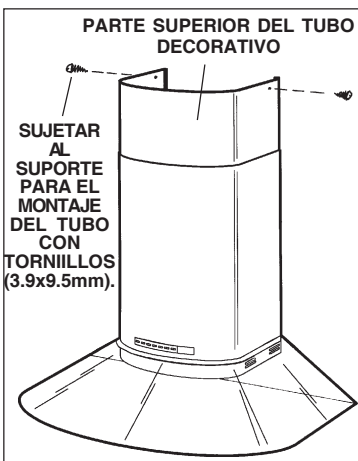
1. Mantenga el tubo decorativo cerca de la parte superior de la campana. Enchufe el **cable de mandos** de la campana al tubo decorativo como se indica.



2. Deslice la **parte inferior del tubo decorativo** hacia abajo e introdúzcala en los **conductos** de la campana.



3. Suba la **parte superior del tubo decorativo** y engánchela en el **soporte para el montaje del tubo** por medio de tornillos (adjuntos) - 3.9x9.5mm.



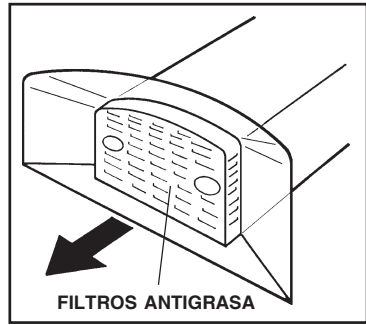
## MANTENIMIENTO

Un mantenimiento adecuado de la campana asegura el funcionamiento correcto del aparato.

### **Filtros antigrasa**

Limpie el **filtro antigrasa** con frecuencia. Tire de él hacia abajo para extraerlo y limpiarlo. Use un detergente que no sea fuerte. Los filtros antigrasa se pueden meter en el lavavajillas. Una vez limpiado el filtro anti-grasa, proceda de la siguiente manera para volver a montarlo:

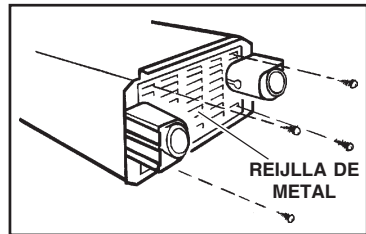
1. Quite las lámparas halógenas.
2. Monte el filtro anti-grasa.
3. Monte las lámparas halógenas.



### **Limpieza del interior de la campana**

ANTES DE LIMPIAR LA CAMPANA, DESCONECTELA DE LA RED.

1. Extraiga el filtro antigrasa como se ha indicado anteriormente
2. Extraiga las lamparas halógenas (Consulte el capítulo "LAMPARAS HALOGENAS").
3. Extraiga la **rejilla de metal** sujeta con cuatro tornillos
4. Use un paño suave y un detergente que no sea fuerte para limpiar la parte interna de la campana.
5. Monte el filtro anti-grasa.
6. Monte las lámparas halógenas.



### **Limpieza del exterior de la campana**

El acero inoxidable es uno de los materiales más fáciles de limpiar, pero sería aconsejable un especial cuidado en su uso para mantenerla en buen estado.

La campana se puede limpiar de las siguientes maneras:

- Agua caliente con jabón o detergente es la mejor manera para limpiarla.
- Aclárela con agua corriente, séquela con un paño suave y limpio para evitar las huellas que deja el agua.
- Para las manchas o restos de grasa que persistan, use un producto químico doméstico que no raye ó un limpiador para acero inoxidable con poca agua y un paño suave.
- Si las manchas persisten, use un estropajo y un cepillo de cerdas suaves con un producto limpiador y agua. Frote suavemente en el sentido del pulido o de las "vetas" del remate del inoxidable. No apriete demasiado porque podría dañar la superficie.
- No deje que las manchas se acumulen durante mucho tiempo.
- No use utensilios o cepillos de acero. Pequeñas partículas de acero pueden adherirse y oxidarse.
- No use soluciones salinas, desinfectantes, lejías, o productos de limpieza que permanezcan en contacto con el acero inoxidable durante largos periodos de tiempo. Muchos de estos productos contienen componentes químicos que podrían resultar nocivos. Aclare con agua y seque con un paño limpio.

Las superficies lacadas deben limpiarse solamente con agua tibia y detergente no muy fuerte.

## Limpieza del cristal

Use un paño suave y un producto limpiacristales solamente

No use paños fuertes, esponjas de acero o estropajos.

No use productos de limpieza fuertes o abrasivos.

## FUNCIONAMIENTO

### Mandos

La campana se pone en funcionamiento utilizando los (7) mandos situados a la altura de los ojos en la parte delantera del tubo decorativo.

El **interruptor luz** enciende y apaga las lámparas halógenas. Pulsando la tecla una vez, la luz se enciende a intensidad 1, pulsándolo una segunda vez, la luz se enciende a intensidad 2 (luz más intensa) y, pulsándolo otra vez más, la luz se apaga completamente.

El **mando de encendido - mínimo - apagado del aspirador**, pone éste a una velocidad inicial. El aspirador se pone en funcionamiento accionando este mando. Para apagar el aspirador, accione otra vez dicho mando.

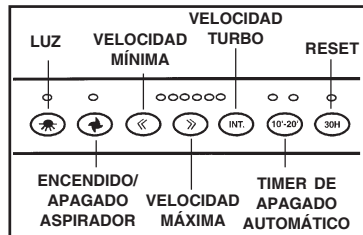
El **mando de velocidad mínima del aspirador** hace descender la velocidad inicial. Sólo funciona cuando el aspirador está ya funcionando.

El **mando de velocidad máxima del aspirador** aumento la velocidad de éste. Este mando sólo funciona cuando el aspirador ya se ha puesto en marcha.

El **mando de velocidad turbo** pone el aspirador a su velocidad más alta. Este mando funciona aunque el aspirador no esté en marcha.

El **mando con timer** hace funcionar el aspirador durante 10 ó 20 minutos antes de apagarse automáticamente. Accione el mando una vez para indicar 10 minutos y dos veces si quiere indicar 20 minutos. Este mando funciona solamente cuando el aspirador está en marcha.

El piloto situado encima del mando “reset” se iluminará cuando el aspirador haya funcionado durante 30 horas. Entonces tendrá que cambiar el filtro antigrasa. Una vez que el filtro haya sido cambiado y colocado en su sitio, accione el conmutador para que se apague la luz y empiece a contar otras 30 horas.



### HEAT SENTRY<sup>MR</sup>

Su campana esta equipada con termostato HEAT SENTRY<sup>MR</sup>. Este termostato tiene un mecanismo que se encenderáo aceleraráel ventilador si se detecta un calor excesivo encima de la cocina.

1) Si el ventilador esta apagando - el se prenderá a una velocidad máxima.

2) Si el ventilador esta encendido a una velocidad minima - el se prenderá a una velocidad máxima.

Cuando la temperatura disminuye a un nivel normal, el ventilador vuelve a la función de origen.

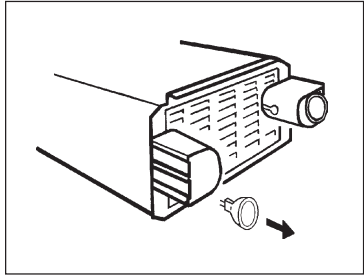
### AVERTENCIA

**El HEAT SENTRY<sup>MR</sup> termostato puede comenzar a funcionar al igual si la campana esta parada. En este caso, es imposible parar el ventilador con los interruptores. Si usted para la campana, halago a partir del panel eléctrico principal.**

## LAMPARAS HALOGENAS

Este tipo de campana necesita dos lámparas halógenas (Tipo MR16, 12V, 20W). Para cambiar las lámparas:

1. Extraiga el filtro antigrasa.
2. Extraiga las lámparas tirando de ellas hacia abajo. No trate de sacarlas a rosca.
3. Monte el filtro anti-grasa.
4. Coloque las lámparas metiendo las clavijas de éstas en los agujeros y empujando las lámparas hacia arriba.



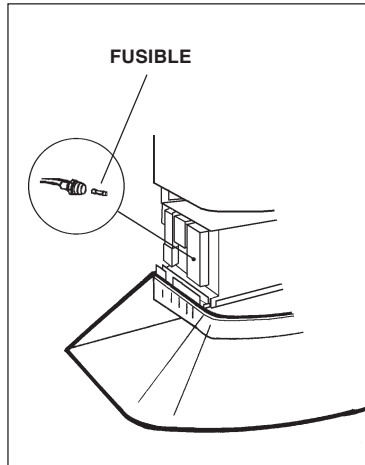
## SUSTITUCION FUSIBLE

### DESCONECTAR EL APARATO.

Empuje el tubo decorativo hacia arriba.

Abrir la caja de la instalación eléctrica.

Sustituir por un fusible del mismo tipo (5x20mm, 4A, 125V).



## GARANTIA

### GARANTIA BROAN-NUTONE LLC POR UN AÑO

Broan-NuTone LLC garantiza al consumidor-comprador de sus productos que dichos productos no tendrán defectos en los materiales o fabricación, durante un periodo de un año a partir de la fecha de la compra. NO HAY OTRO TIPO DE GARANTIAS QUE INCLUYAN O SE LIMITEN EXCLUSIVAMENTE A GARANTIAS IMPLICITAS O DE CAPACIDAD COMERCIAL O CONVENIENCIA PARA UN PROPOSITO ESPECIFICO.

Durante el periodo de un año, Broan-NuTone LLC, si lo estima conveniente, reparará o reemplazará sin gastos para el usuario cualquier producto o parte de éste que sea defectuosos habiéndose usado correctamente. ESTA GARANTIA NO CUBRE: ESTARTER DE NEON, NEON, LAMPARAS HALOGENAS, LAMPARAS DE ILUMINACION. Tampoco cubre el mantenimiento ni los productos o partes de éstos que hayan sido usados de forma incorrecta, con negligencia, rotos accidentalmente o por una incorrecta manutención ó reparación (distinta da la realizada por Broan-NuTone LLC), montaje incorrecto ó instalación que no se ajuste a las instrucciones de montaje indicadas. Le duración de la garantía se limita al periodo de un año como está especificado en la garantía explicita. Algunos países no permiten un límite en la duración de la garantía implícita; si es así en su caso, esta limitación arriba indicada podría no aplicarse. LA PRESENTE GARANTIA CUBRIRÁ EXCLUSIVAMENTE AL COMPRADOR LOS SERVICIOS DESCRITOS ANTERIORMENTE. BROAN-NUTONE LLC NO SE HACE RESPONSABLE DE DAÑOS PRODUCIDOS DE MANERA ACCIDENTAL O RELACIONADOS CON EL USO INCORRECTO DEL PRODUCTO O SU FUNCIONAMIENTO. Algunos países no permiten la exclusión o limitación de los daños producidos de manera accidental, si es así en su caso, esta limitación arriba indicada podría no aplicarse. Esta garantía le da derechos legales específicos y podría también disponer de otros derechos que varían de país a país. Esta garantía supera otras garantías dadas con anterioridad. Para disfrutar de la garantía usted deberá a) Avisar a la dirección abajo indicada ó bien llamar por teléfono al número 1-800-637-1453 b) Dar el número de serie del modelo correspondiente o bien una descripción de la parte averiada, c) Descripción del defecto en el producto o bien en una de sus partes. Para requerir un servicio en garantía debe presentar el justificante con la fecha de la compra.

**Broan-NuTone LLC.** 926 West State Street, Hartford, WI 53027 (1-800-637-1453)  
**NuTone, Inc.,** 4820 Red Bank Road, Cincinnati, OH 45227 (1-800-543-8687)

## SERVICE PARTS

**NP62000 SERIES RANGE HOOD** - Parts for stainless steel models shown. For service parts for black or white models, call Broan Customer Service.

KEY NO.	PART NO.	DESCRIPTION
2	B03118083	Blower Unit
5	BE3401653	Filter Assembly
6	B020002340	Filter Spring
14	B02300233	Motor Capacitor
19	B03295005	Transformer Protection
26	B02300774	Halogen Lamp Bulb
37	B02300787	Heat Sentry
38	B03292357	Wiring Box
39	B03294033	Wiring Box Cover
42	B03295001	Filter Support
48	B02310184	Motor
49	B03295071	Blower Wheel
53	B03204177	Rubber Washer
62	BE3334551	Blower Unit Cover
65	BE3403483	Metal Grille
67	B02300206	Controls Wire
68	B02011258	Right Blower Housing
69	B02011259	Left Blower Housing
110	B03202430	Flue Gasket
111	B03204094	Glass Gasket
115	BE3334250	Wiring Box
116	BE3334252	Wiring Box Cover
118	B08091225	Decorative Flue Bottom
119	BE3400561	Decorative Flue Top
120	BE3334555	Flue Mounting Bracket
144	B03292287	Wire Clamp
165	B03295008	Fuse Box
166	B08086697	Control Board
199	B02300727	Lamp Socket
200	B03292296	Lamp Shroud
208	B02300783	Transformer
222	B08088323	Switch Assembly
312	BE3401651	Back Panel
332	BE3234559	Cover
420	BE3342289	Halogen Bulb Support
472	BE3342302	Right Glass Bracket
473	BE3342303	Left Glass Bracket
477	B03295006	Transformer Protection Cover
998	B080810285	Hardware Package
ARU	B08092518	Duct Connector Assembly (Includes Key Nos. 56, 57)
*	B06002019	Blower Assembly (Includes Key Nos. 48, 49, 53, 68, 69, 42)
-	B02300782	Fuse
-	B02300674	Fuse Holder

\* Not shown assembled.

## LISTE PIECES DE RECHANGE

**NP62000 SERIES RANGE HOOD** - Ci-dessous liste pièces de rechange pour hottes en inox.  
 Pour les pièces de rechange des modèles de couleurs noir ou blanc, contacter Broan Customer Service.

N.	PART N.	DESCRIPTION
2	B03118083	Groupe moteur
5	BE3401653	Ensemble filtre
6	B020002340	Ressort du filtre
14	B02300233	Condensateur
19	B03295005	Protection transformateur
26	B02300774	Lampe halogène
37	B02300787	Capteur
38	B03292357	Boîte installation électrique
39	B03294033	Couvercle boîte installation électrique
42	B03295001	Support filtre
48	B02310184	Moteur
49	B03295071	Turbine du moteur
53	B03204177	Pare chocs
62	BE3334551	Couvercle groupe moteur
65	BE3403483	Grille en métal
67	B02300206	Cable commandes
68	B02011258	Cocue moteur droite
69	B02011259	Cocue moteur gauche
110	B03202430	Garniture tube
111	B03204094	Garniture verre
115	BE3334250	Boîte de alimentation
116	BE3334252	Couvercle boîte de alimentation
118	B08091225	Tube inférieur
119	BE3400561	Tube supérieur
120	BE3334555	Etrier montage tube
144	B03292287	Serre cable
165	B03295008	Boîte fusible
166	B08086697	Curcuit imprimé installation électrique
199	B02300727	Support ceramique lampe
200	B03292296	Protection lampe
208	B02300783	Transformateur
222	B08088323	Ensemble commandes
312	BE3401651	Panneau intérieur
332	BE3234559	Couvercle
420	BE3342289	Support ampoule halogène
472	BE3342302	Etrier droit verre
473	BE3342303	Etrier gauche verre
477	B03295006	Couvercle protection transformateur
998	B080810285	Accessoires de fixation
ARU	B08092518	Ensemble bride de raccordement (Comprenant n. 56, 57)
*	B06002019	Ensemble moteur (Comprenant n. 48, 49, 53, 68, 69, 42)
-	B02300782	Fusible
-	B02300674	Porte-fusible

\* Illustrées separement.

## LISTA DE PIEZAS DE RECAMBIO

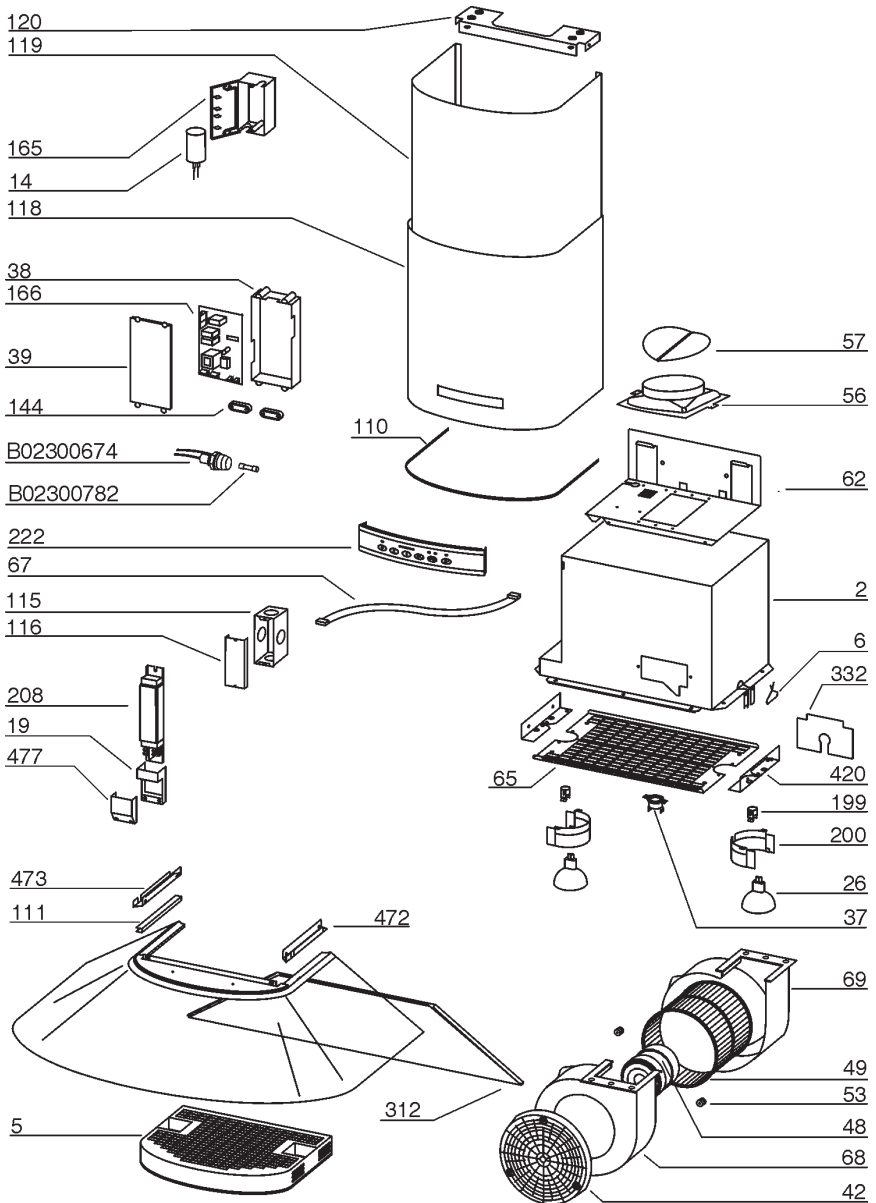
**NP62000 SERIES RANGE HOOD** - Aquí aparecen solamente las piezas de recambio para campanas de acero inoxidable, si desean las piezas de recambio de los modelos en blanco ó negro, pónganse en contacto con el servicio al cliente de Broan.

CÓD. N.	PIEZA N.	DESCRIPCIÓN
2	B03118083	Grupo motor
5	BE3401653	Conjunto filtro
6	B020002340	Muelle del filtro
14	B02300233	Condensador
19	B03295005	Protección transformador
26	B02300774	Lámpara halógena
37	B02300787	Sensor
38	B03292357	Caja base de instalación eléctrica
39	B03294033	Tapa de la caja base de instalación eléctrica
42	B03295001	Soporte filtro
48	B02310184	Motor
49	B03295071	Manilla del motor
53	B03204177	Almohadille del motor
62	BE3334551	Tapa grupo motor
65	BE3403483	Reijlla de metal
67	B02300206	Cabo mandos
68	B02011258	Lado derecho del motor
69	B02011259	Lado izquierdo del motor
110	B03202430	Guarnición
111	B03204094	Guarnición del cristal
115	BE3334250	Caja de alimentación
116	BE3334252	Tapa de la caja de alimentación
118	B08091225	Tubo decorativo inferior
119	BE3400561	Tubo decorativo superior
120	BE3334555	Soporte de montaje del tubo
144	B03292287	Sujeta cabos
165	B03295008	Caja fusible
166	B08086697	Base para instalación eléctrica
199	B02300727	Soporte de cerámica de la lámpara
200	B03292296	Protección de la lámpara
208	B02300783	Transformador
222	B08088323	Conjunto de mandos
312	BE3401651	Pomo interior
332	BE3234559	Tapa
420	BE3342289	Soporte de la lámpara
472	BE3342302	Soporte derecho del cristal
473	BE3342303	Soporte izquierdo del cristal
477	B03295006	Tapa protección transformador
998	B080810285	Accesorios para el montaje
ARU	B08092518	Conjunto conector del tubo (Incluye los N. 56, 57)
*	B06002019	Conjunto motor (Incluye los N. 48, 49, 53, 68, 69, 42)
-	B02300782	Fusible
-	B02300674	Portafusible

\* Se encuentran por separado.

# SERVICE PARTS - LISTE PIECES DE RECHANGE - LISTA DE PIEZAS DE RECAMBIO

## NP62000 SERIES RANGE HOOD



04307653/1N



## Free Manuals Download Website

<http://myh66.com>

<http://usermanuals.us>

<http://www.somanuals.com>

<http://www.4manuals.cc>

<http://www.manual-lib.com>

<http://www.404manual.com>

<http://www.luxmanual.com>

<http://aubethermostatmanual.com>

Golf course search by state

<http://golfingnear.com>

Email search by domain

<http://emailbydomain.com>

Auto manuals search

<http://auto.somanuals.com>

TV manuals search

<http://tv.somanuals.com>