

Belt Driven Whole House Ventilator

MODELS: WHV-30BD & WHV-36BD

For use with louver models: WHL-30 & WHL-36

IMPORTANT SAFETY INSTRUCTIONS

WARNING: TO REDUCE THE RISK OF FIRE, ELECTRIC SHOCK, OR INJURY TO PERSONS, OBSERVE THE FOLLOWING:

- (A) Use this unit only in the manner intended by the manufacturer. If you have questions, contact the manufacturer.
- (B) Before servicing or cleaning unit, switch power off at service panel and lock service panel to prevent power from being switched on accidentally.
When the service disconnecting means cannot be locked, securely fasten a prominent warning device, such as a tag, to the service panel.

CAUTION: For general ventilating use only. Do not use to exhaust hazardous or explosive materials and vapors.

CAUTION: This unit has an unguarded impeller. Do not use in locations readily accessible to people or animals.

INSTALLATION INSTRUCTIONS

WARNING: TO REDUCE THE RISK OF FIRE, ELECTRIC SHOCK, OR INJURY TO PERSONS, OBSERVE THE FOLLOWING:

- (A) Installation work and electrical wiring must be done by qualified person(s) in accordance with all applicable codes and standards, including fire-rated construction.
- (B) Sufficient air is needed for proper combustion and exhausting of gases through the flue (chimney) of fuel burning equipment to prevent back drafting. Follow the heating equipment manufacturer's guideline and safety standards such as those published by the National Fire Protection Association (NFPA), and the American Society for Heating, Refrigeration, and Air Conditioning Engineers (ASHRAE), and the local code authorities.
- (C) When cutting or drilling into wall or ceiling, do not damage electrical wiring and other hidden utilities.
- (D) Ducted fans must always be vented to the outdoors.
- (E) If this unit is to be installed over a tub or shower, it must be marked as appropriate for the application.
- (F) **NEVER** place a switch where it can be reached from a tub or shower.

WARNING: To reduce the risk of fire or shock, do not use with solid state speed controls. This fan is intended for installation facing an unoccupied space only.

IMPORTANT: Read each step completely before beginning your installation.

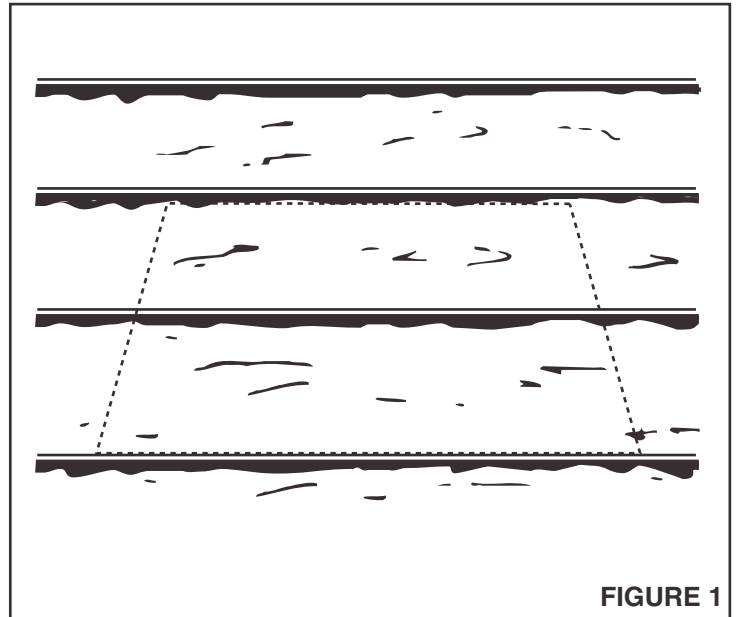


FIGURE 1

INSTALLATION

Refer to Figure 1.

1. Decide upon desired location in central hallway.
2. Remove attic insulation from area where the Whole-House Ventilator will be installed. Make sure the attic floor is free of electrical wiring or plumbing pipes. There should be approximately 36" of clearance between the top of ceiling joists and the roof. This will prevent back pressure which can reduce efficiency and increase noise level.
3. **Using the template provided on the louver carton**, determine the desired location and orientation of the louver. Drive a small nail up through the ceiling at one corner of the template.
4. Locate nail from above. Using this point as a reference, layout louver cutout.

WHL-36	34¼" x 36"
WHL-30	34¼" X 29"

INSTALLATION (continued)

- After layout is complete, drill a small hole down through ceiling at each corner of cutout. From below, connect these four holes with straight lines to mark cutout on ceiling. Using sabre saw or keyhole saw, cut and remove sheetrock.
 - Refer to Figures 2 and 3.** Before cutting joists, lay a 2" x 4" across joists to be cut and adjacent joists, approximately 8" from end of opening. Nail 2 x 4's securely to joists. Cut and remove joist(s) 1½" back from opening.
- NOTE:** Use caution not to cut sheetrock when you cut joists.
- Refer to Figure 4.** Using lumber the same height as joists, insert two brace back pieces that tie into cut-through joists and fasten to intact joists at either end of opening. Install headers of same size lumber between the two braces as necessary to complete framing of opening.
 - Refer to Figure 5.** Nail 2" x 6" lumber laid flat, around the framed opening to form a platform for the fan. If ceiling joists are 2" x 6" or larger, 1" x 6" lumber can be used.
 - Refer to Figure 6.** Install louver at this time. Louver must be installed with ½" clearance on all sides. To accomplish this, place small marks ¾" from edge of cutout in ceiling. Use these marks to locate shutter and secure with hardware provided with the louver. Install louver opening assist springs. Springs should extend approximately 6" at a 30° angle above louver connecting bar (See illustration). Install nails in frame to hold springs. Allow nail head to protrude ½". Install springs between nails and holes in connecting rods.
 - Center fan over opening in attic floor. Align fan so that air through louvers flows toward motor. This will extend the life of the motor.

NOTE: For added quietness, you may attach ½" thick rubber stripping to bottom of fan frame.

- Refer to Figure 7.** Capture the fan frame on all four sides by nailing wooden blocks to platform. Rubber padding can be used between block and frame to eliminate any possible vibration.
- Unbolt the motor carriage from the fan struts. Flip the motor up and rebolt to fan struts. Attach fan belt and slide the motor carriage as necessary to achieve proper belt tension.

CAUTION: Too much belt tension can cause motor to overheat.

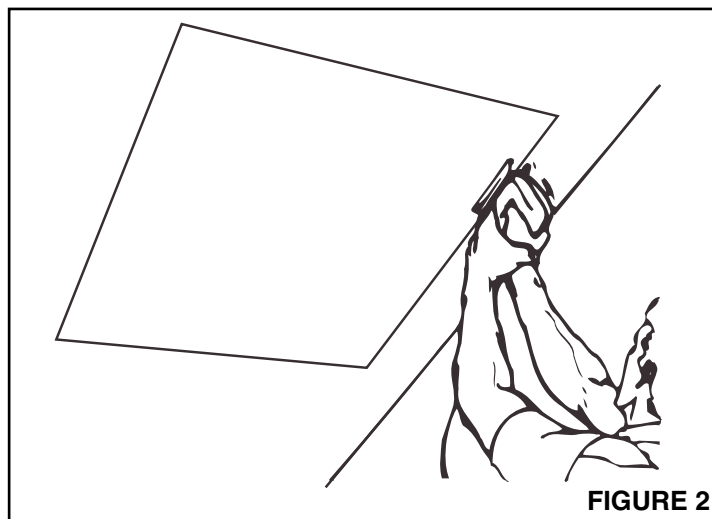


FIGURE 2

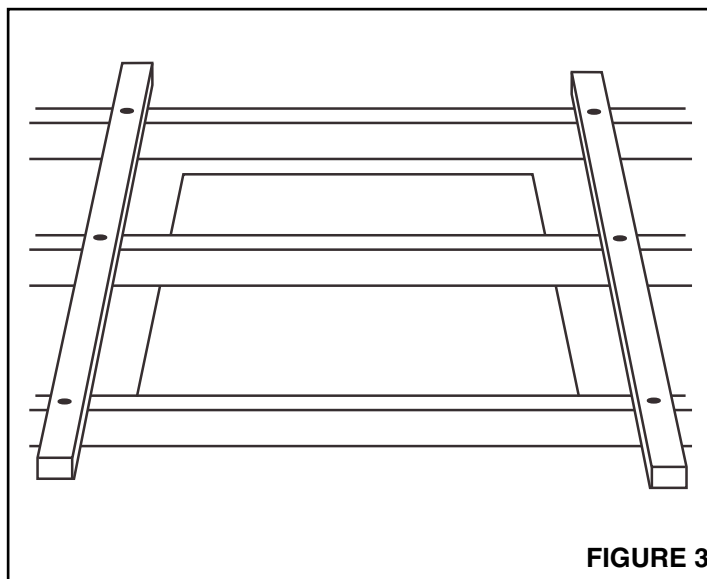


FIGURE 3

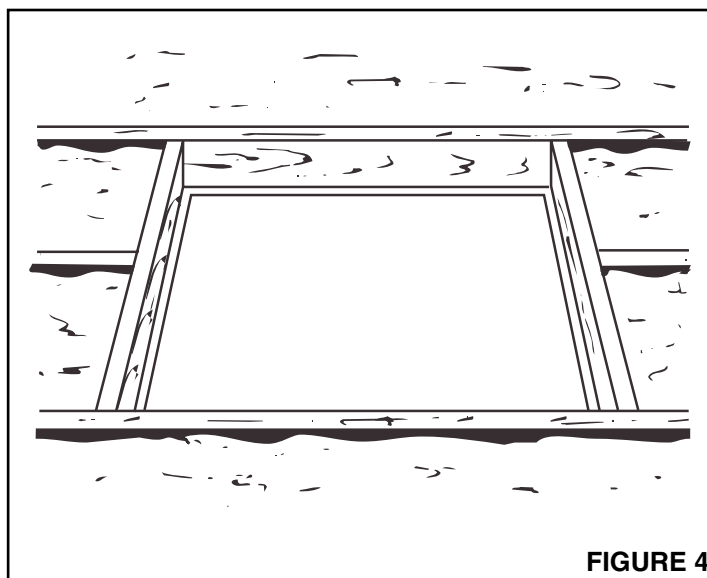


FIGURE 4

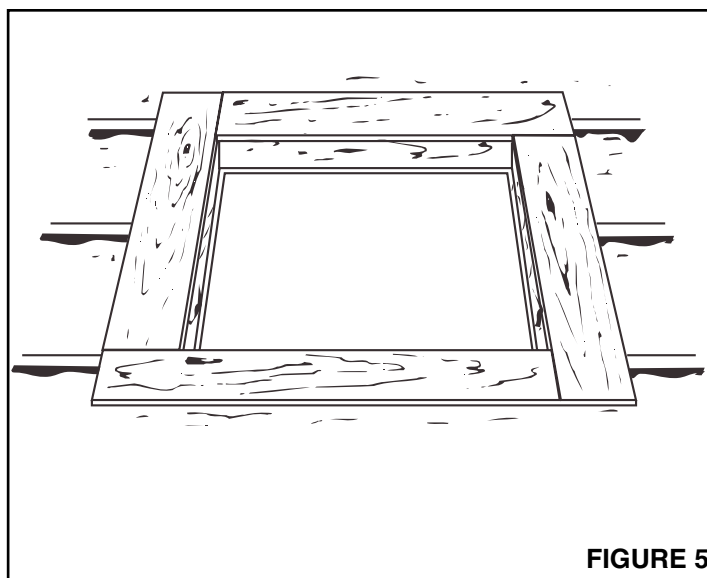


FIGURE 5

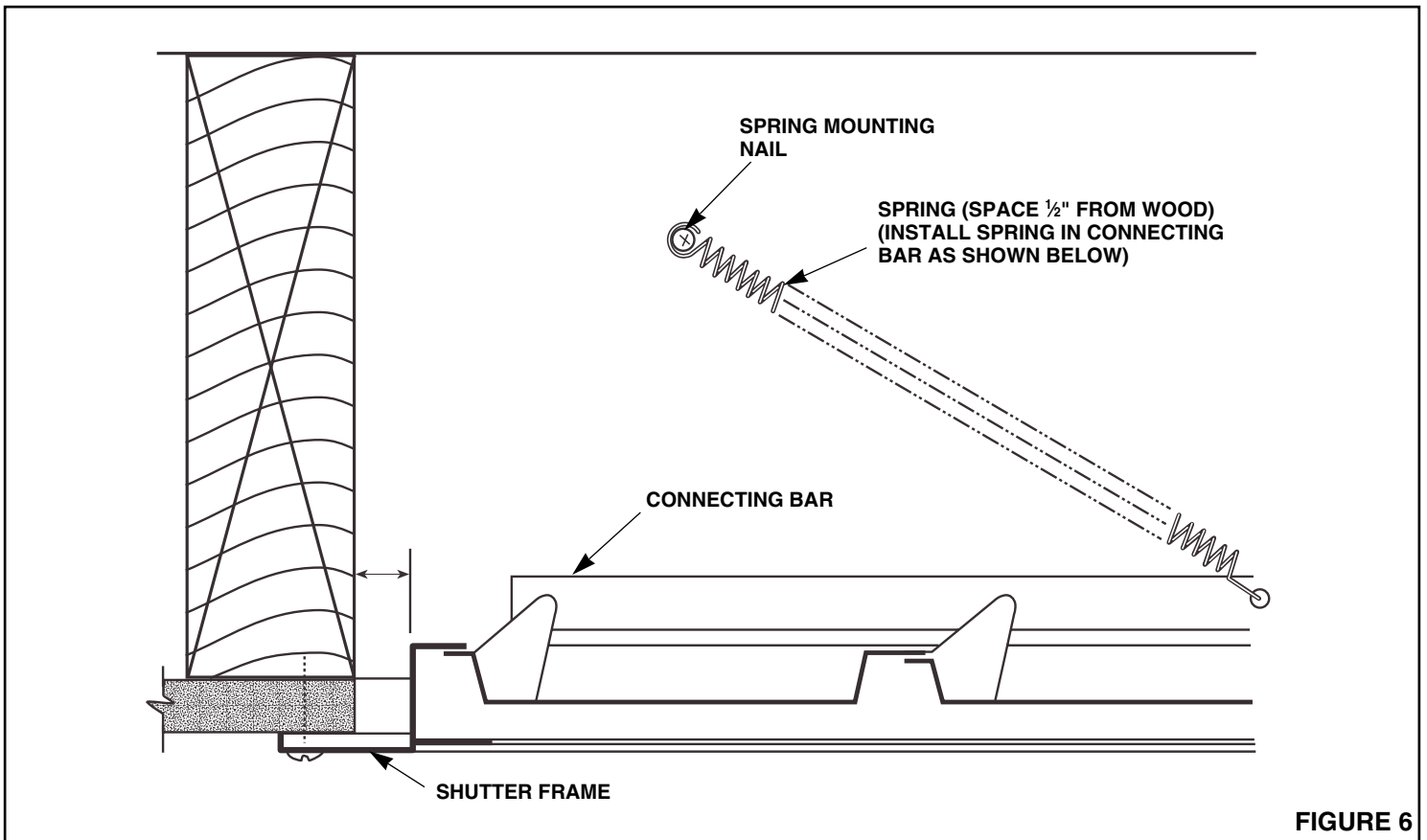


FIGURE 6

WIRING

- **CAUTION:** Electrical connections and all wiring should be in accordance with the National Electrical Code and all local codes that may apply.
- **WARNING:** To avoid possible injury or electrical shock, disconnect power at fuse or circuit breaker box before attempting to wire this fan.
- Incorrect wiring may cause motor failure and possible fire. If necessary, engage the services of a qualified electrician to wire fan.

Connect electrical wiring from wall switch to motor leads in motor junction box. If two speed switch is not used, make sure red lead of motor (low speed) is capped with a wire nut.

IMPORTANT: Be sure to ground fan by connecting ground wire to ground screw of junction box.

OPERATING FAN

Before turning fan on, open windows and interior doors to insure proper air intake through rooms to be ventilated. If you have a fireplace, be certain the flue damper is closed to prevent chimney dirt and soot from being brought into the house by the fan. Always start fan on high speed and allow louver to open fully before switching to low speed.

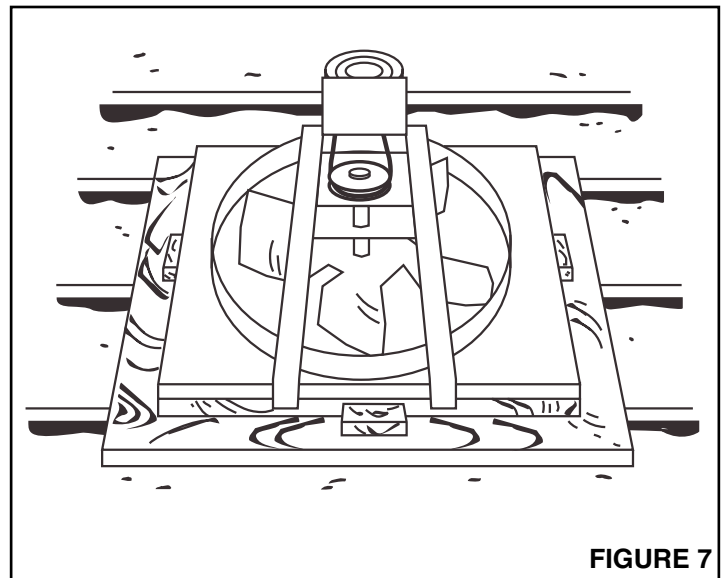


FIGURE 7

NuTone®

One Year Limited Warranty

WARRANTY OWNER: NuTone warrants to the original consumer purchaser of its products that such products will be free from defects in materials or workmanship for a period of one (1) year from the date of original purchase. **THERE ARE NO OTHER WARRANTIES, EXPRESS OR IMPLIED, INCLUDING, BUT NOT LIMITED TO, IMPLIED WARRANTIES OF MERCHANTABILITY OR FITNESS FOR A PARTICULAR PURPOSE.**

During this one year period, NuTone will, at its option, repair or replace, without charge, any product or part which is found to be defective under normal use and service. THIS WARRANTY DOES NOT EXTEND TO FLUORESCENT LAMP STARTERS OR TUBES, FILTERS, DUCT, ROOF CAPS, WALL CAPS AND OTHER ACCESSORIES FOR DUCTING. This warranty does not cover (a) normal maintenance and service or (b) any products or parts which have been subject to misuse, negligence, accident, improper maintenance or repair (other than by NuTone), faulty installation or installation contrary to recommended installation instructions.

The duration of any implied warranty is limited to the one year period as specified for the express warranty. Some states do not allow limitation on how long an implied warranty lasts, so the above limitation may not apply to you.

NUTONE'S OBLIGATION TO REPAIR OR REPLACE, AT NUTONE'S OPTION, SHALL BE THE PURCHASER'S SOLE AND EXCLUSIVE REMEDY UNDER THIS WARRANTY. NUTONE SHALL NOT BE LIABLE FOR INCIDENTAL, CONSEQUENTIAL OR SPECIAL DAMAGES ARISING OUT OF OR IN CONNECTION WITH PRODUCT USE OR PERFORMANCE. Some states do not allow the exclusion or limitation of incidental or consequential damages, so the above limitation or exclusion may not apply to you. This warranty gives you specific legal rights, and you may also have other rights, which vary from state to state. This warranty supersedes all prior warranties.

WARRANTY SERVICE: To qualify for warranty service, you must (a) notify NuTone at the address stated below or telephone 1/800-543-8687, (b) give the model number and part identification and (c) describe the nature of any defect in the product or part. At the time of requesting warranty service, you must present evidence of the original purchase date.

Date of Installation

Builder or Installer

Model No. and Product Description

IF YOU NEED ASSISTANCE OR SERVICE:

For the location of your nearest NuTone Independent Authorized Service Center:

Residents of the contiguous United States Dial Free 1-800-543-8687

Please be prepared to provide:

Product model number • Date and Proof of purchase • The nature of the difficulty

Residents of Alaska or Hawaii should write to: NuTone Inc. Attn: Department of National Field Service, 4820 Red Bank Road, Cincinnati Ohio 45227-1599.

Residents of Canada should write to: Broan-NuTone Canada, 1140 Tristar Drive, Mississauga, Ontario, Canada L5T 1H9.

Rev. 03/2001

Product specifications subject to change without notice.

NuTone®

4820 Red Bank Road, Cincinnati, Ohio 45227
Printed in U.S.A., Rev. 3/02, Part No. k3585

Free Manuals Download Website

<http://myh66.com>

<http://usermanuals.us>

<http://www.somanuals.com>

<http://www.4manuals.cc>

<http://www.manual-lib.com>

<http://www.404manual.com>

<http://www.luxmanual.com>

<http://aubethermostatmanual.com>

Golf course search by state

<http://golfingnear.com>

Email search by domain

<http://emailbydomain.com>

Auto manuals search

<http://auto.somanuals.com>

TV manuals search

<http://tv.somanuals.com>