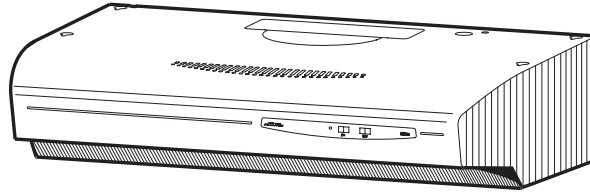


## ALLURE™ WS1 SERIES RANGE HOODS



Page 1

Patent No.:  
US D450, 829 S

### READ AND SAVE THESE INSTRUCTIONS

#### ! FOR DOMESTIC COOKING ONLY !

#### WARNING

##### TO REDUCE THE RISK OF FIRE, ELECTRIC SHOCK, OR INJURY TO PERSONS, OBSERVE THE FOLLOWING:

1. Use this unit only in the manner intended by the manufacturer. If you have questions, contact the manufacturer at the address or telephone number listed in the warranty.
2. Before servicing or cleaning unit, switch power off at service panel and lock the service disconnecting means to prevent power from being switched on accidentally. When the service disconnecting means cannot be locked, securely fasten a prominent warning device, such as a tag, to the service panel.
3. Installation work and electrical wiring must be done by a qualified person(s) in accordance with all applicable codes and standards, including fire-rated construction codes and standards.
4. Sufficient air is needed for proper combustion and exhausting of gases through the flue (chimney) of fuel burning equipment to prevent backdrafting. Follow the heating equipment manufacturer's guideline and safety standards such as those published by the National Fire Protection Association (NFPA), and the American Society of Heating, Refrigeration and Air Conditioning Engineers (ASHRAE), and the local code authorities.
5. When cutting or drilling into wall or ceiling, do not damage electrical wiring and other hidden utilities.
6. To reduce the risk of fire or electric shock, do not use this range hood with an additional speed control device.
7. Ducted fans must always be vented to the outdoors.
8. To reduce the risk of fire, use only metal ductwork.
9. Use with approved cord-connection kit only.
10. This unit must be grounded.

##### TO REDUCE THE RISK OF A RANGE TOP GREASE FIRE:

1. Never leave surface units unattended at high settings. Boilovers cause smoking and greasy spillovers that may ignite. Heat oils slowly on low or medium settings.
2. Always turn hood ON when cooking at high heat or when cooking flaming foods.
3. Clean ventilating fans frequently. Grease should not be allowed to accumulate on fan or filter.
4. Use proper pan size. Always use cookware appropriate for the size of the surface element.

##### TO REDUCE THE RISK OF INJURY TO PERSONS IN THE EVENT OF A RANGE TOP GREASE FIRE, OBSERVE THE FOLLOWING:\*

1. SMOTHER FLAMES with a close-fitting lid, cookie sheet, or metal tray, then turn off the burner. BE CAREFUL TO PREVENT BURNS. If the flames do not go out immediately, EVACUATE AND CALL THE FIRE DEPARTMENT.
2. NEVER PICK UP A FLAMING PAN — You may be burned.
3. DO NOT USE WATER, including wet dishcloths or towels - violent steam explosion will result.
4. Use an extinguisher ONLY if:
  - A. You know you have a Class ABC extinguisher and you already know how to operate it.
  - B. The fire is small and contained in the area where it started.
  - C. The fire department is being called.
  - D. You can fight the fire with your back to an exit.

\* Based on "Kitchen Fire Safety Tips" published by NFPA.

#### CAUTION

1. For general ventilating use only. Do not use to exhaust hazardous or explosive materials and vapors.
2. To avoid motor bearing damage and noisy and/or unbalanced impellers, keep drywall spray, construction dust, etc. off power unit.
3. For best capture of cooking impurities, your range hood should be mounted so that the top of the hood is 24-30" above the cooking surface.
4. Please read specification label on product for further information and requirements.

**Installer: Leave this manual with the homeowner.**

**Homeowner: Operating and Cleaning information on page 5.**

#### NOTE

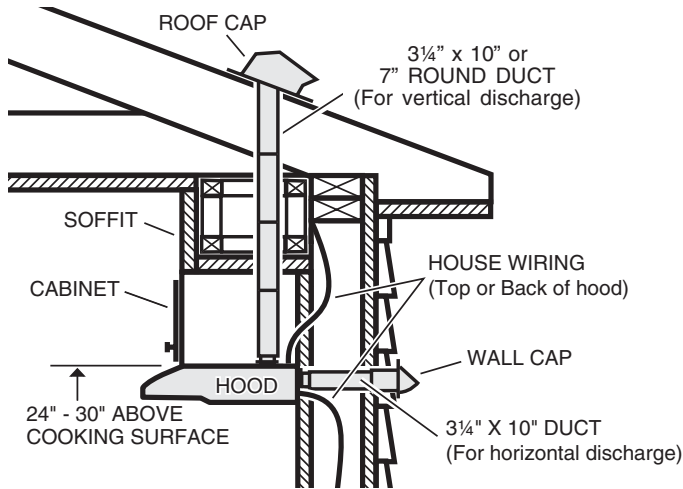
- If hood is to be installed Non-Ducted:
- Purchase a set of (2) non-ducted filters from your local distributor or retailer and attach them to the aluminum mesh filters.

### TABLE OF CONTENTS

This manual is divided into sections as follows:

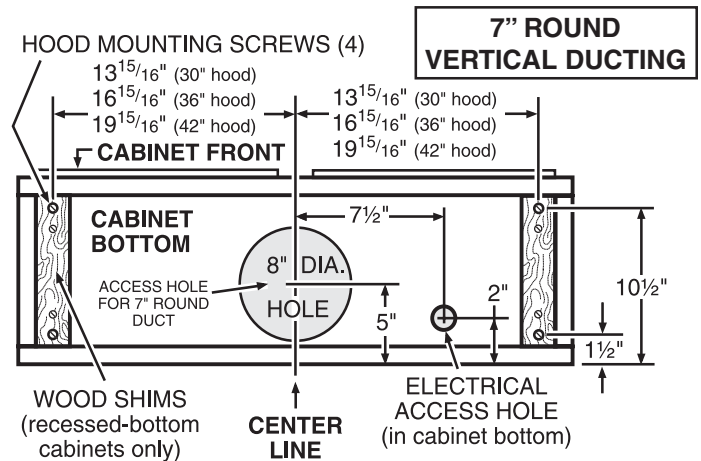
- **"PREPARE HOOD LOCATION"**  
Run ductwork from roof or wall cap, and electrical wiring from service panel - to installation location
- **"PREPARE THE HOOD"**  
Get your hood ready for installation
- **"CONNECT WIRING"**  
Make electrical wiring connections to hood
- **"INSTALL HOOD"**  
Secure hood to cabinet and ductwork - install bulbs and filters
- **"OPERATION"**  
How to use the hood controls
- **"CLEANING"**  
Keep your hood in top working condition
- **"SERVICE PARTS"**  
Part numbers and exploded view of hood components
- **"WARRANTY"**  
One-year limited warranty and how to contact us

## PREPARE HOOD LOCATION



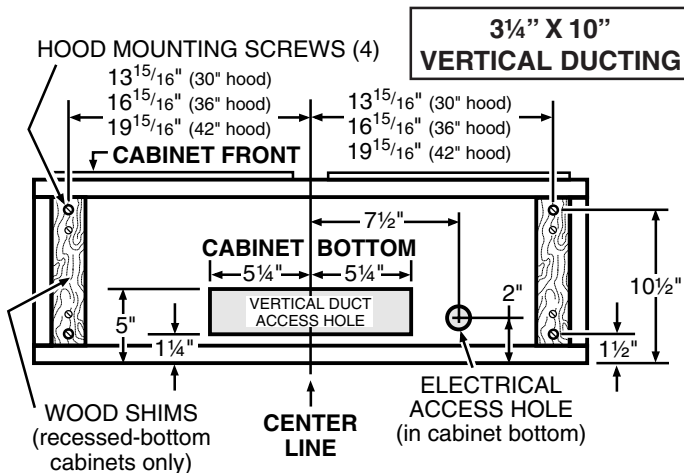
- 1 Determine whether hood will discharge vertically (3/4" x 10" or 7" Round), horizontally (3/4" x 10" only) or non-ducted. For vertical or horizontal discharge, run ductwork between the hood location and a roof cap or wall cap. For best results, use a minimum number of transitions and elbows.
- 2 Use diagrams, below, for proper placement of ductwork and electrical cutout in cabinet or wall. For a non-ducted installation, DO NOT cut a duct access hole.

## PREPARE HOOD LOCATION

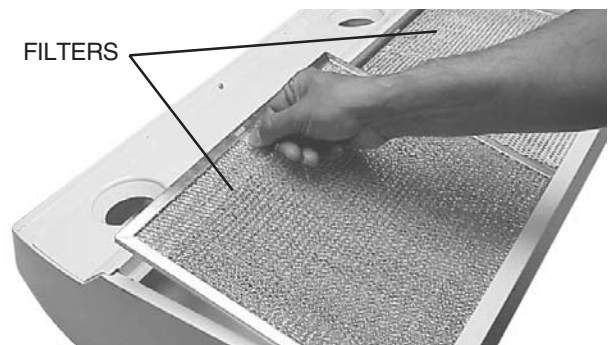
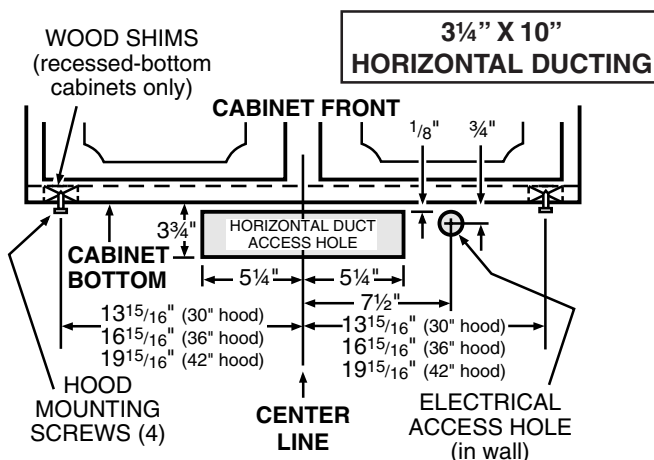


- 3 Run house wiring between service panel and hood location.

## PREPARE THE HOOD



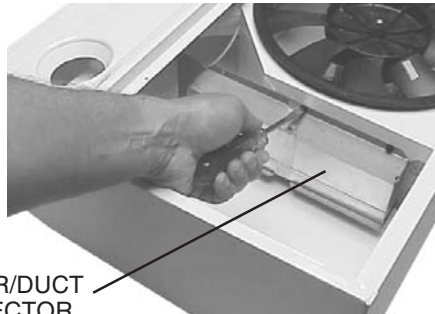
- 1 Remove **7" Round Duct Plate** from top of hood. Set duct plate aside - with mounting screws.



- 2 Remove tape holding **Filters** in place. Pull down on filter tabs and lift filters out. Set filters aside.

## PREPARE THE HOOD

- 3** Remove **Damper/Duct Connector** from inside the hood. Set connector aside - with mounting screws and parts bag.



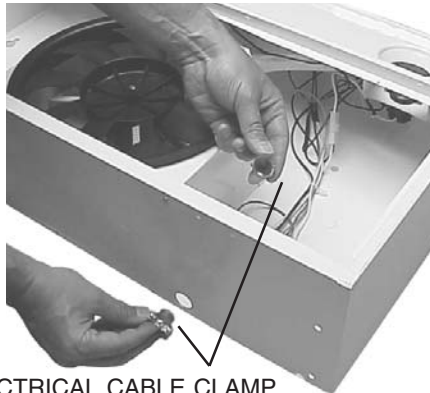
DAMPER/DUCT CONNECTOR

- 4** Remove **Wiring Cover** from inside the hood. Set cover and mounting screw aside.



WIRING COVER

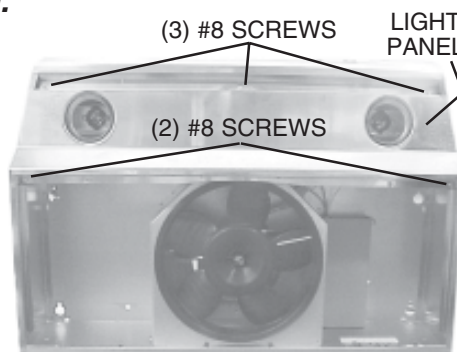
- 5** Remove either top or back wiring knockout and install approved **Electrical Cable Clamp**.



ELECTRICAL CABLE CLAMP

**Non-Ducted Installation - Skip to "Connect Wiring" section.**

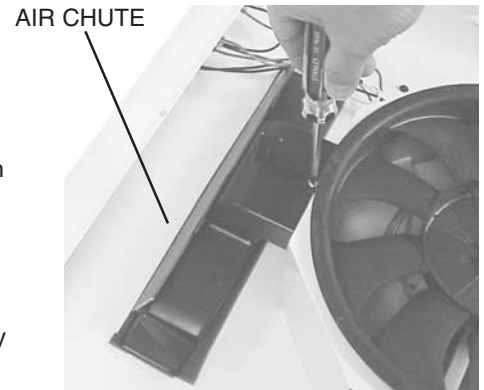
**The following Steps (6 thru 13) are for DUCTED INSTALLATION ONLY.**



- 6** Remove **Light Panel** - held in place with (3) #8 screws and (2) #8 screws. Disconnect light assembly wire harness (white connector).

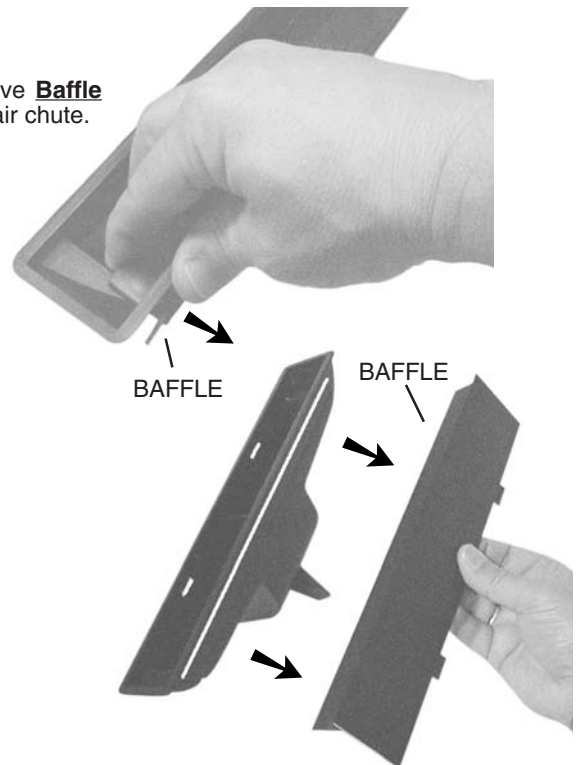
## PREPARE THE HOOD

- 7** Remove **Air Chute** - held in place with one (1) screw.

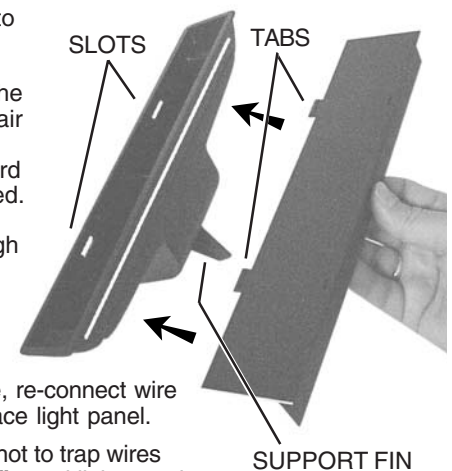


NOTE: Be careful not to disconnect any wires.

- 8** Remove **Baffle** from air chute.



- 9** Rotate baffle. Reinsert baffle into air chute (as shown) so that baffle **tabs** fit all the way into **slots** in air chute. An audible "click" will be heard when fully installed. This will close off the air flow through the non-ducted slots on top of hood.



- 10** Re-install air chute, re-connect wire harness, and replace light panel.

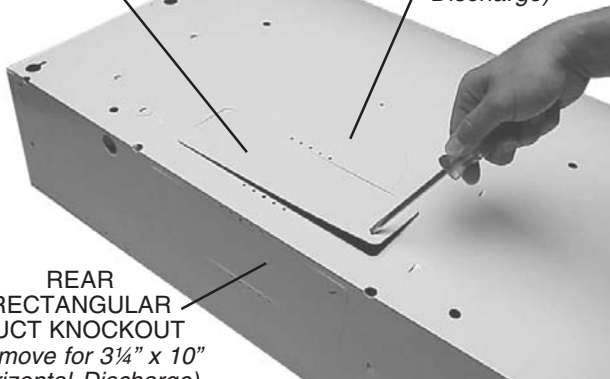
NOTE: Be careful not to trap wires between **support fin** and light panel.

## PREPARE THE HOOD

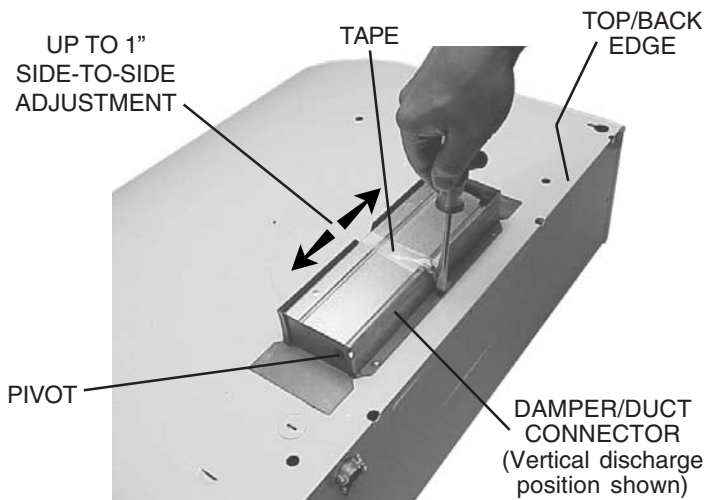
TOP RECTANGULAR  
DUCT KNOCKOUT  
(Remove for 3¼" x 10"  
Vertical & for 7" Round  
Discharge)

SEMI-CIRCULAR  
DUCT KNOCKOUT  
(Remove for 7" Round  
Discharge)

REAR  
RECTANGULAR  
DUCT KNOCKOUT  
(Remove for 3¼" x 10"  
Horizontal Discharge)



- 11** Remove appropriate **Duct Knockout(s)** from top or back of hood.



- 12** 3¼" x 10" Ducted Discharge Only: Attach **Damper/Duct Connector** over knockout opening. Make sure damper **Pivot** is nearest to **Top/Back Edge** of hood. Remove **Tape** from damper flap.

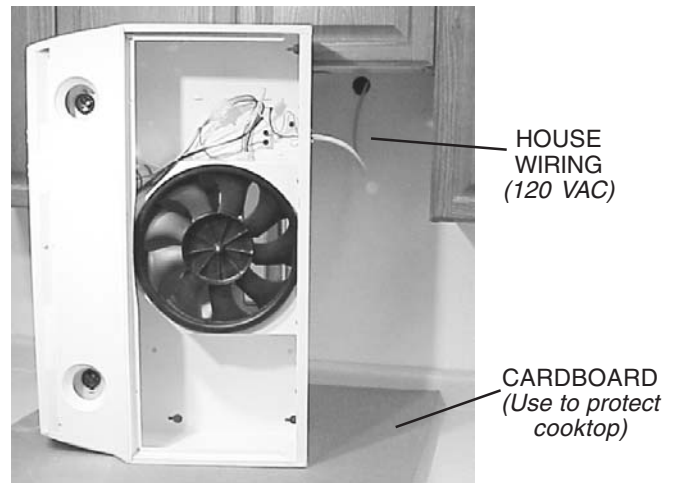
- 13** 7" Round Ducted Discharge Only: Re-install **7" Round Duct Plate** removed in Step #1 under "PREPARE THE HOOD" section. Install a 7" round damper (purchase separately). Damper flap must open freely in direction of air flow (away from range hood).

**NOTE** To accommodate off-center ductwork, the Damper/Duct Connector can be installed up to 1-inch on either side of hood center or the 7" Round Duct Plate can be installed up to ½" on either side of hood center. In extreme off-center installations, one end of the duct connector may need to be trimmed to clear the electrical cable clamp.

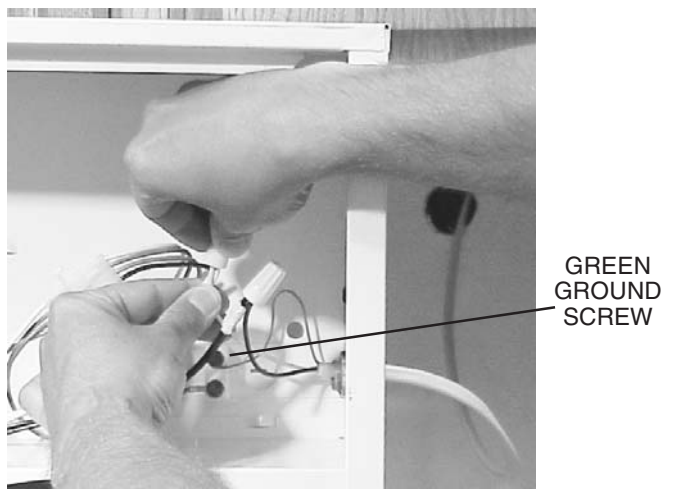
## CONNECT WIRING



**WARNING:** To reduce the risk of electric shock, make sure power is switched off at the service panel. Lock or tag service panel to prevent power from being switched on accidentally.



- 1** Connect **House Wiring** (120 VAC) to hood. Use a piece of **Cardboard** to protect the cooktop, if necessary.



- 2** Connect house black to hood black wire, house white to hood white wire, and house ground under **Green Ground Screw**. Securely tighten cable clamp onto house wiring.

- 3** Replace wiring cover.



### INSTALL HOOD

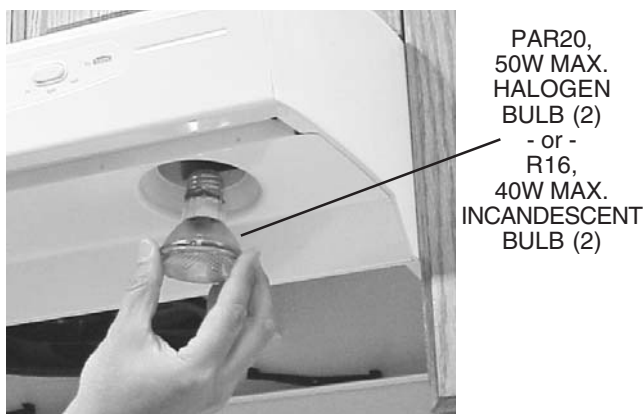


- 1 Hang hood from (4) **Mounting Screws** (from parts bag). Slide hood towards wall until mounting screws are engaged in narrow end of (4) **Keyholes**. Tighten mounting screws securely.

**CAUTION** DO NOT PUSH ON FAN BLADE. Pushing on the blade may cause it to interfere with other hood parts.



- 2 Connect ductwork to hood. Use **Duct Tape** to make joints secure and air tight.



- 3 Install (2) PAR20, 50 W Maximum **Halogen Bulbs** or (2) R16, 40 W Maximum **Incandescent Bulbs**. Purchase bulbs separately.

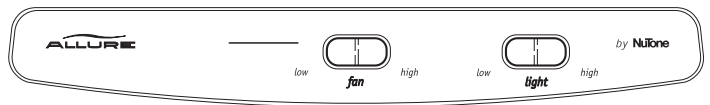
**CAUTION:** Bulbs may be hot! Refer to bulb packaging for further information.

- 4 Replace filters and make sure fan blade turns freely. Turn on power at service panel, and test for proper operation.

### NON-DUCTED FILTERS

If hood is to be installed Non-Ducted:  
Purchase a set of (2) non-ducted filters from your local distributor or retailer and attach them to the aluminum mesh filters.

### OPERATION



**Fan:** The 3-position rocker switch (on the left) controls the fan. The left position is low speed, center position is off, and right position is high speed. An indicator light shows that the fan is on.

**Light:** The 3-position rocker switch (on the right) controls the lights. The left position is low light intensity, center position is off, and right position is high light intensity.

### CLEANING

**WARNING:** To reduce the risk of electric shock, disconnect from power supply before cleaning.

**Aluminum mesh filters:** Clean frequently using hot water and a mild detergent. Filters are dishwasher safe.

**Charcoal filters:** Clean filter surfaces frequently with a damp cloth and a mild detergent. DO NOT immerse filters in water or put in dishwasher. The special "Clean Sense" feature indicates when the filter is to be replaced. The blue and yellow strips will blend to green when it is time to change the filter. The "Clean Sense" feature works best when facing toward the cooking surface.

**To clean hood:** Remove filters. Use a damp cloth and a mild detergent to wipe all grease-laden surfaces. Use care when cleaning fan blade - it must not become bent or misaligned. DO NOT ALLOW WATER TO ENTER MOTOR. Make sure all surfaces are completely dry before re-installing filters and restoring power.

Motor is permanently lubricated. Do not oil or disassemble motor.

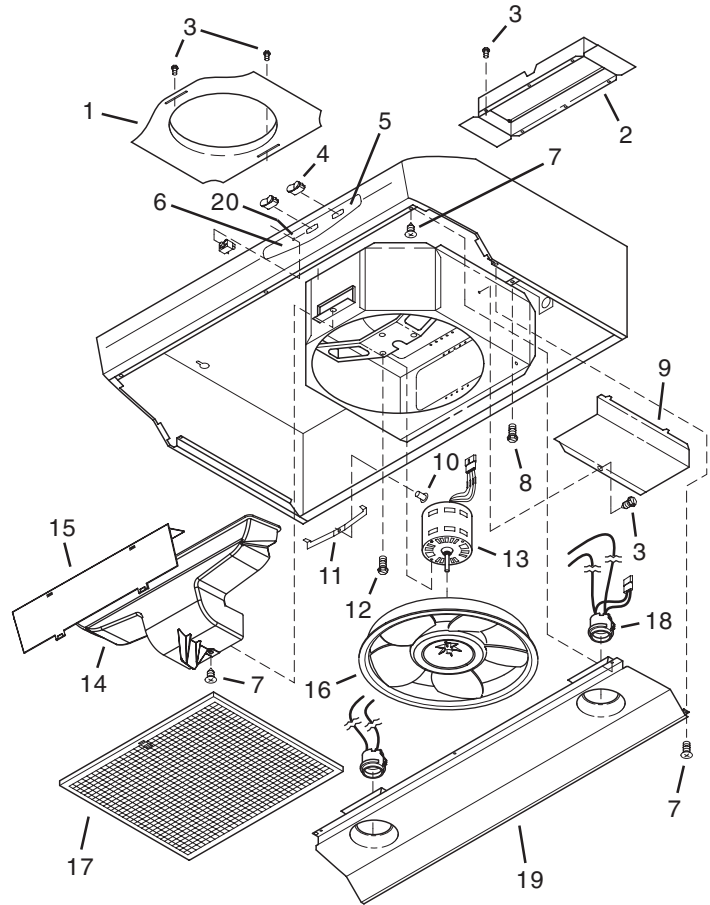
### SERVICE PARTS

KEY NO.	PART NO.	DESCRIPTION
1	R680508	7" Round Duct Plate (includes hardware)
2	R740013	Damper/Duct Connector (includes hardware)
3	R602017	Screw, #8-18 x 1/4 Hex* (2 in package)
4	R561115	Rocker Switch, Almond (2 in package)
	R561116	Rocker Switch, White (2 in package)
	R561117	Rocker Switch, Black (2 in package)
	R561119	Rocker Switch, Biscuit (2 in package)
5	R627518	Nameplate, White
	R627519	Nameplate, Almond
	R627520	Nameplate, Stainless
	R627533	Nameplate, Biscuit
	R627579	Nameplate, Black
6	R607657	Lens
7	R602534	Screw, 8-18 x 3/8* (2 in package)
8	R602533	Ground Screw (2 req.)
9	R680504	Wiring Cover (includes hardware)
10	*	Rivet, Pop .125 dia.
11	R169016	Filter Spring Kit
12	R169002	Motor Mounting Screw (3 each part)
13	R99080535	Motor (includes Motor Mounting Kit)
14	R401647	Air Chute Assembly (includes Key No. 15 & hardware)
15	R401646	Baffle
16	R531075	Fan Blade (Includes hairpin clip)
**	R99420635	Hairpin Clip
17	99010299	Filter Kit, for 30" Hood (2 per bag)
	99010300	Filter Kit, for 36" Hood (2 per bag)
	99010301	Filter Kit, for 42" Hood (2 per bag)
18	R111630	Lamp Socket Harness
19	R7201621	Light Panel, White, for 30" Hood
	R7201651	Light Panel, White, for 36" Hood
	R7201671	Light Panel, White, for 42" Hood
	R7201622	Light Panel, Almond, for 30" Hood
	R7201652	Light Panel, Almond, for 36" Hood
	R7201672	Light Panel, Almond, for 42" Hood
	R7201624	Light Panel, Black, for 30" Hood
	R7201654	Light Panel, Black, for 36" Hood
	R7201674	Light Panel, Black, for 42" Hood
	R720163	Light Panel, Stainless, for 30" Hood
	R720166	Light Panel, Stainless, for 36" Hood
	R720168	Light Panel, Stainless, for 42" Hood
	R7201625	Light Panel, Biscuit, for 30" Hood
	R7201655	Light Panel, Biscuit, for 36" Hood
	R7201675	Light Panel, Biscuit, for 42" Hood
20	R169004	Indicator Light (includes 2 wire nuts and lens)
**	R169010	Light Diode Assembly (includes wire nut)
**	R111626	Wire Harness
**	99010308	Non-Ducted Filter Kit, 30" (2 per bag)
**	99010309	Non-Ducted Filter Kit, 36" (2 per bag)
**	99010310	Non-Ducted Filter Kit, 42" (2 per bag)

Order replacement parts by PART NO. - not by KEY NO.

\* Standard hardware - may be purchased locally.

\*\* Not illustrated.



### WARRANTY

#### NUTONE ONE YEAR LIMITED WARRANTY

NuTone warrants to the original consumer purchaser of its products that such products will be free from defects in materials or workmanship for a period of one year from the date of original purchase. THERE ARE NO OTHER WARRANTIES, EXPRESS OR IMPLIED, INCLUDING, BUT NOT LIMITED TO, IMPLIED WARRANTIES OF MERCHANTABILITY OR FITNESS FOR A PARTICULAR PURPOSE.

During this one-year period, NuTone will, at its option, repair or replace, without charge, any product or part which is found to be defective under normal use and service.

THIS WARRANTY DOES NOT EXTEND TO FLUORESCENT LAMP STARTERS AND TUBES. This warranty does not cover (a) normal maintenance and service or (b) any products or parts which have been subject to misuse, negligence, accident, improper maintenance or repair (other than by NuTone), faulty installation or installation contrary to recommended installation instructions.

The duration of an implied warranty is limited to the one-year period as specified for the express warranty. Some states do not allow limitation on how long an implied warranty lasts, so the above limitation may not apply to you.

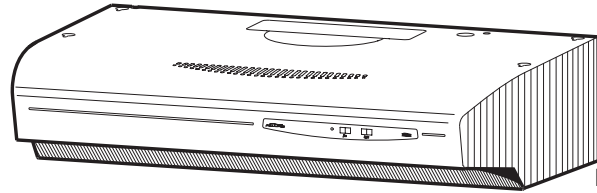
NUTONE'S OBLIGATION TO REPAIR OR REPLACE, AT NUTONE'S OPTION, SHALL BE THE PURCHASER'S SOLE AND EXCLUSIVE REMEDY UNDER THIS WARRANTY. NUTONE SHALL NOT BE LIABLE FOR INCIDENTAL, CONSEQUENTIAL OR SPECIAL DAMAGES ARISING OUT OF OR IN CONNECTION WITH PRODUCT USE OR PERFORMANCE. Some states do not allow the exclusion or limitation of incidental or consequential damages, so the above limitation may not apply to you.

This warranty gives you specific legal rights, and you may also have other rights, which vary from state to state. This warranty supersedes all prior warranties.

To qualify for warranty service, you must (a) notify NuTone at the address or telephone number below, (b) give the model number and part identification and (c) describe the nature of any defect in the product or part. At the time of requesting warranty service, you must present evidence of the original purchase date.

**NuTone, Inc.**, 4820 Red Bank Road, Cincinnati, OH 45227 (1-800-543-8687)

## CAMPANA EXTRACTORA SERIE WS1 ALLURE™



Página 7

Patent No.:  
US D450, 829 S

### LEA Y CONSERVE ESTAS INSTRUCCIONES

**⚠ PARA COCINAR DOMÉSTICO SOLAMENTE. ⚠**

#### ADVERTENCIA

**PARA REDUCIR EL RIESGO DE INCENDIO, CHOQUE ELECTRICO, O LESION A PERSONAS, PROCURE LO SIGUIENTE:**

1. Utilice esta unidad sólo en la manera prescrita por el fabricante. Si tiene usted alguna pregunta, comuníquese con el fabricante a la dirección o el teléfono indicados en la garantía.
2. Antes de efectuar algún servicio o limpieza, se debe desconectar la corriente eléctrica en el armario de circuitos y asegurarlo con llave para evitar que la corriente sea conectada accidentalmente. Cuando no se puedan inmovilizar los medios de desconexión de servicio, pégue con seguridad un dispositivo de advertencia prominente, tal como una etiqueta, en el tablero de servicio.
3. Todo trabajo de instalación y cableado eléctrico debe ser realizado por personal calificado y de acuerdo con todos los códigos y normas pertinentes, incluyendo los códigos y normas relacionados con construcción clasificada para incendio.
4. Aire suficiente es necesario para facilitar la combustión adecuada y la salida apropiada de gases por la chimenea de la unidad y para evitar corrientes de aire invertidas. Siga las instrucciones y medidas de seguridad del fabricante del equipo y de las sociedades profesionales de equipos de calentadores y los reglamentos de seguridad locales.
5. A cortar o perforar la pared o el techo, no dañe el cableado eléctrico u otros servicios públicos ocultos a la vista.
6. Para reducir el riesgo de incendio o de descarga eléctrica, no utilice este ventilador con ningún dispositivo de una control de velocidad de estado sólido adicional.
7. Los abanicos con ducto deberán siempre tener una salida hacia el exterior.
8. Para reducir el riesgo de incendio, use sólo ductos de metal.
9. Uso con el kit aprobado del la conexión de la cuerda solamente.
10. Esta unidad se debe instalar con tierra efectiva.

**PARA REDUCIR EL RIESGO DE UN INCENDIO POR GRASA EN EN LA ESTUFA:**

1. Nunca deje sin atender las unidades de superficie cuando tengan ajustes altos. Los reboses pueden provocar humo y derrames grasosos que se pueden incendiar. Caliente lentamente el aceite en un ajuste bajo o medio.
2. Siempre ENCIENDA la campana cuando cocine con alta temperatura o cuando cocine alimentos que se puedan incendiar.
3. Limpie con frecuencia los ventiladores. No debe permitir que la grasa se acumule en el ventilador ni en el filtro.
4. Utilice un sartén de tamaño adecuado. Siempre utilice el utensilio adecuado al tamaño del elemento de superficie.

**PARA REDUCIR EL RIESGO DE LESION A PERSONAS RESULTADO DE UN INCENDIO DEBIDO A GRASA ACUMULADA EN LAS HORNILLAS, PROCURE LO SIGUIENTE:\***

1. AHOGUE LAS LLAMAS con una tapa ajustada o charola de metal, después apague la hornilla. TENGA CUIDADO A FIN DE EVITAR QUEMADURAS. Si las llamas no se apagan de inmediato, EVACUE Y AVISE A LOS BOMBEROS.
2. NO LEVANTE NUNCA UNA SARTEN QUE ESTE EN LLAMAS - Usted se podrá quemar.
3. NO UTILICE AGUA, incluyendo toallas de cocina mojadas - puede resultar una explosión de vapor violenta.
4. Utilice un extinguidor SOLAMENTE si:
  - A. Usted sabe que tiene un extinguidor de clas ABC y lo sabe utilizar.
  - B. El incendio es pequeño y contenido dentro del área donde se inició.
  - C. Los bomberos han sido avisados.
  - D. Usted puede combatir el incendio con una salida a su espalda.

\* Basado en las recomendaciones para "Seguridad en la Cocina" publicadas por la NFPA de los EEUU.

#### PRECAUCION

1. Solamente para uso general de ventilación. No utilice para descargar materiales o vapores riesgosos o explosivos.
2. Para evitar daños al motor y evitar que las navajas del abanico emitan mucho ruido o estén fuera de balance, mantenga el motor libre de pelusa, polvo, etc.
3. Para obtener mejores resultados en la captura de los vapores de la estufa, el parte superior del extractor debe montarse a entre 45.7 a 60.9 cm sobre las hornillas de la estufa.
4. Por favor lea la etiqueta con las especificaciones del equipo para otros requisitos y mayor información.

**A la persona que realiza la instalación: Deje este manual con el dueño de la casa.  
Al dueño de la casa: Las instrucciones de operación y limpieza se encuentran en la página 11.**

**NOTA** Si la campana se va a instalar en un sistema sin conductos:

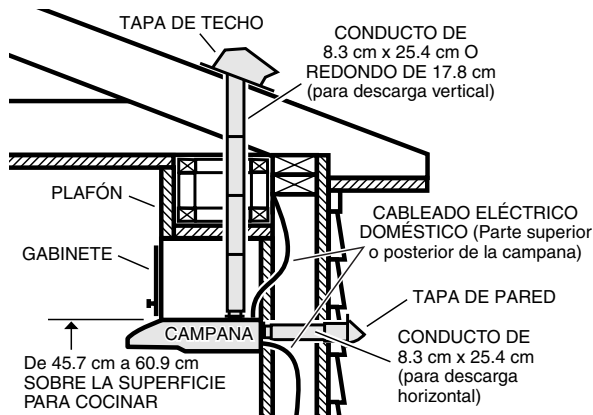
- Compre un juego de (2) filtros para sistemas sin conductos en la tienda distribuidora o minorista de su localidad y móntelos en los filtros de malla de aluminio.

### CONTENIDO

Este manual se divide en las siguientes secciones:

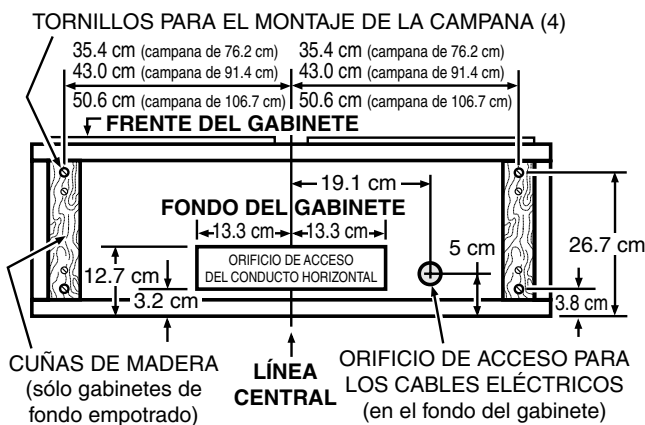
- **"PREPARACIÓN DEL LUGAR DONDE SE VA A INSTALAR LA CAMPANA"**  
Tienda de los conductos desde el techo o la tapa de pared, y haga la conexión eléctrica desde el panel de servicio hasta el sitio de la instalación.
- **"PREPARACIÓN DE LA CAMPANA"**  
Prepare la campana para su instalación
- **"CONEXIÓN ELÉCTRICA"**  
Haga las conexiones eléctricas hacia la campana
- **"INSTALACIÓN DE LA CAMPANA"**  
Asegure la campana en el gabinete y en el sistema de conductos. Instale focos y filtros.
- **"OPERACIÓN"**  
Cómo usar los controles de la campana
- **"LIMPIEZA"**  
Mantenga su campana en condiciones óptimas de funcionamiento
- **"PIEZAS DE REPUESTO"**  
Número de las piezas y vista ampliada de los componentes de la campana
- **"GARANTÍA"**  
Garantía limitada de un año y cómo comunicarse con nosotros

### PREPARACIÓN DEL LUGAR DONDE SE VA A INSTALAR LA CAMPANA

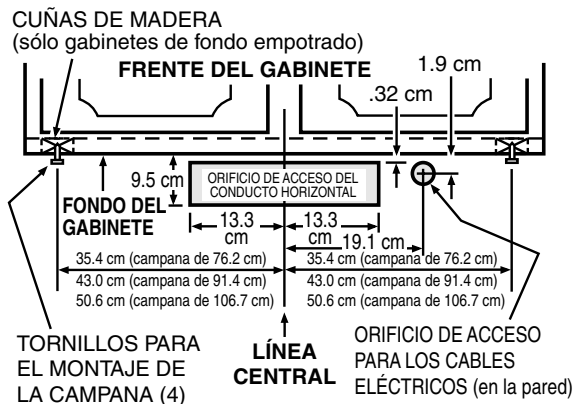


- 1 Determine si la descarga de la campana va a ser vertical [conducto de 8.3 cm x 25.4 cm (3 1/4" x 10") o conducto redondo de 17.8 cm (7")], horizontal [sólo conducto de 8.3 cm x 25.4 cm (3 1/4" x 10")] o si es un sistema sin conductos. En el caso de descarga vertical u horizontal, tienda los conductos entre el lugar donde va a instalar la campana y la tapa de techo o la tapa de pared. Para obtener los mejores resultados, utilice el número mínimo de transiciones y codos.
- 2 Utilice los siguientes diagramas para colocar adecuadamente los conductos y hacer el corte exacto para la conexión eléctrica en el gabinete o en la pared. En el caso de aquellas instalaciones en sistemas sin conductos, NO haga ningún orificio de acceso para el conducto.

#### SISTEMA VERTICAL DE CONDUCTOS DE 8.3 cm x 25.4 cm (3 1/4" x 10")

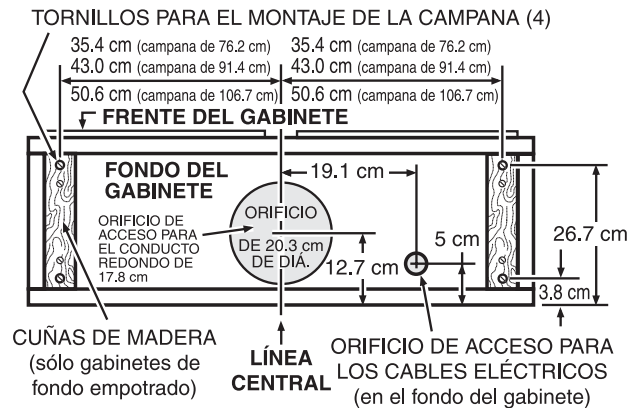


#### SISTEMA HORIZONTAL DE CONDUCTOS DE 8.3 cm x 25.4 cm (3 1/4" x 10")



### PREPARACIÓN DEL LUGAR DONDE SE VA A INSTALAR LA CAMPANA

#### SISTEMA VERTICAL DE CONDUCTOS REDONDOS DE 17.8 CM (7")

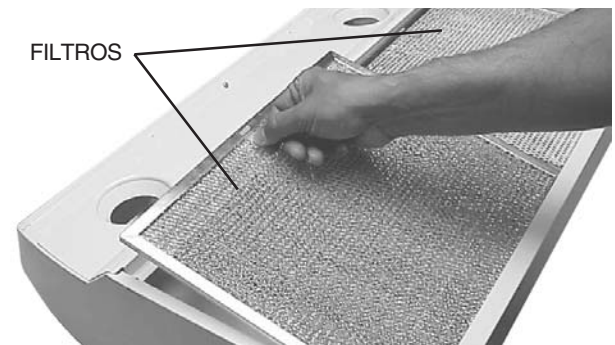


- 3 Haga las conexiones del cableado doméstico entre el panel de servicio y el lugar donde va a instalar la campana.

### PREPARACIÓN DE LA CAMPANA



- 1 Quite la **placa del conducto redondo de 17.8 cm (7")** de la parte superior de la campana. Colóquela aparte, con los tornillos de montaje.

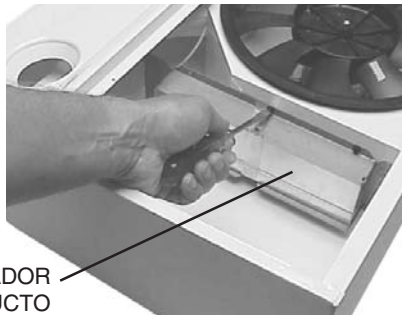


- 2 Quite la cinta que sujeta los filtros en su lugar. Tire hacia abajo de las lengüetas del filtro y sáquelos levantándolos. Coloque los filtros a un lado.



## PREPARACIÓN DE LA CAMPANA

- 3** Quite el conector del **regulador de tiro/ conector** del interior de la campana. Ponga aparte el conector, con los tornillos de montaje y la bolsa de piezas.



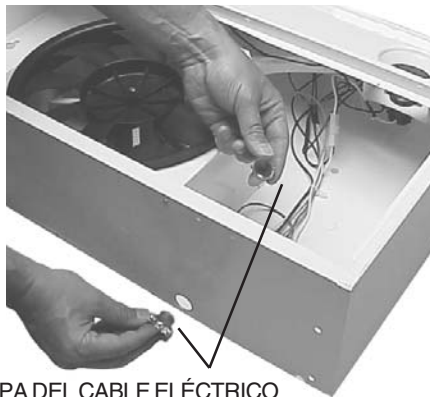
CONECTOR DEL REGULADOR DE TIRO/CONDUCTO

- 4** Quite la **cubierta de la conexión eléctrica** del interior de la campana. Ponga aparte la cubierta y los tornillos de montaje.



CUBIERTA DE LA CONEXIÓN ELÉCTRICA

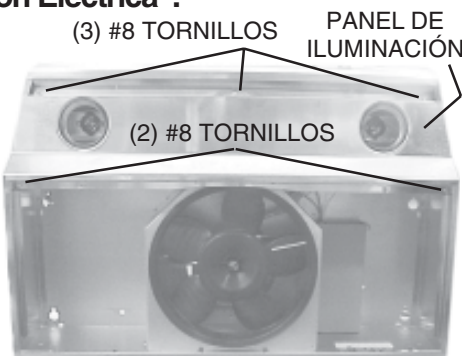
- 5** Quite el agujero ciego para los cables eléctricos, ya sea el superior o el posterior, e instale una **grapa para cable eléctrico** aprobada.



GRAPA DEL CABLE ELÉCTRICO

Para instalaciones sin conducto, pase a la sección "Conexión Eléctrica".

Los siguientes pasos (del 6 al 13) son SÓLO PARA INSTALACIONES CON CONDUCTO.

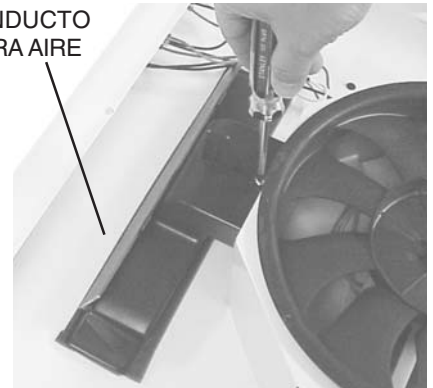


- 6** Quite el **panel de iluminación** - fijado con (3) #8 tornillos y (2) #8 tornillos. Desconecte el juego del arnés del alambre (conector blanco).

## PREPARACIÓN DE LA CAMPANA

- 7** Quite el **conducto para aire** - fijado con un (1) tornillo.

CONDUCTO PARA AIRE



NOTA: Tenga cuidado de no desconectar ningún cable.

- 8** Quite el **deflector** del conducto para aire.



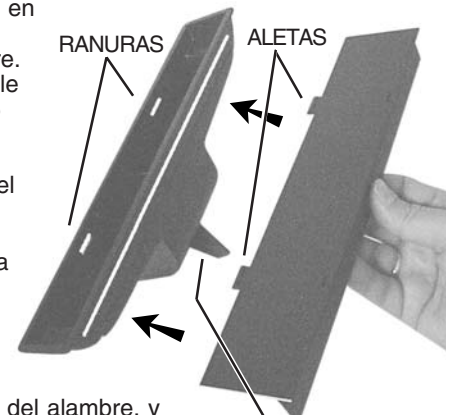
DEFLECTOR

DEFLECTOR

- 9** Gire el deflector. Vuelva a insertar el deflector en el conducto para aire de manera (según lo demostrado) que las **aletas** entren totalmente en las **ranuras** del conducto para aire. Un "tecleo" audible será oído cuando está instalado completamente. Esto se cerrará del aire atraviesa las ranuras sin conductos encima de la campana.

RANURAS

ALETAS



- 10** Reinstale el conducto para aire, vuelva al conectar el arnés del alambre, y substituya el panel de iluminación.

ALETA DE APOYO

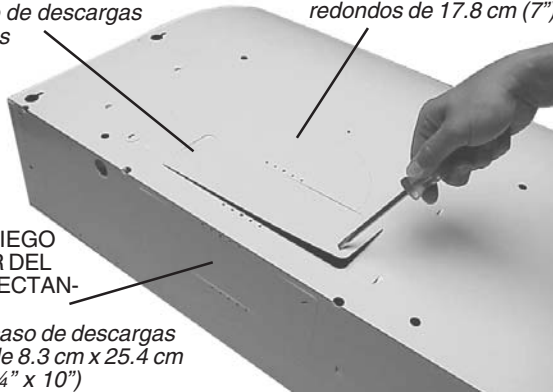
NOTA: Tenga cuidado de que ninguno de los cables quede atrapado entre la **aleta de apoyo** y el panel de iluminación.

## PREPARACIÓN DE LA CAMPANA

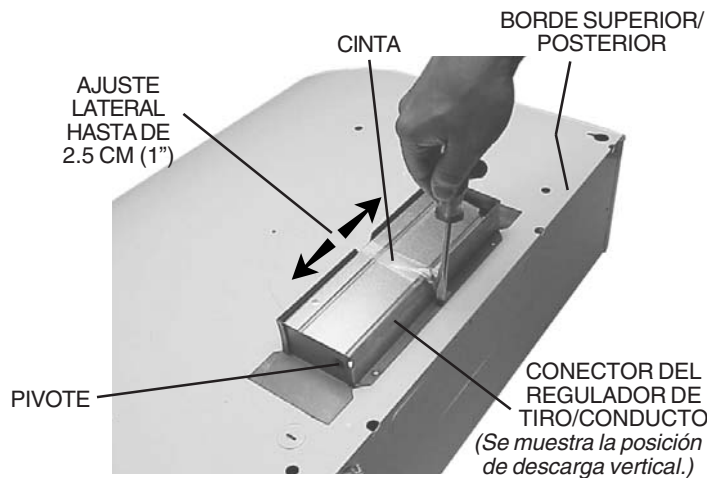
AGUJERO CIEGO SUPERIOR DEL CONDUCTO RECTANGULAR  
(Quite en el caso de descargas verticales de 8.3 cm x 25.4 cm (3 ¼" x 10") o de descargas con conductos redondos de 17.8 cm (7"))

AGUJERO CIEGO PARA CONDUCTO SEMICIRCULAR  
(Quite en el caso de descargas con conductos redondos de 17.8 cm (7"))

AGUJERO CIEGO POSTERIOR DEL CONDUCTO RECTANGULAR  
(Quite en el caso de descargas horizontales de 8.3 cm x 25.4 cm (3 ¼" x 10"))



- 11** Quite el agujero o agujeros ciegos para los conductos apropiados de la parte superior o de la parte posterior de la campana.



- 12** Sólo para descargas con conductos de 8.3 cm x 25.4 cm (3 ¼" x 10"): Coloque el **conector del regulador de tiro/conducto** sobre la abertura del agujero ciego. Asegúrese de que el **pivote** del regulador de tiro quede lo más cerca posible del **borde superior/posterior** de la campana. Quite la **cinta** de la aleta del regulador de tiro.

- 13** Sólo para descargas con conducto redondo de 17.8 cm (7"): Vuelva a instalar la **placa del conducto redondo de 17.8 cm (7")** que quitó en el paso 1 de la sección "PREPARACIÓN DE LA CAMPANA". Instale un regulador de tiro redondo de 7" (se compra por separado). La aleta del regulador se debe abrir libremente en dirección del flujo de aire (en sentido contrario a la campana de la estufa).

**NOTA** Para acomodar los conductos descentrados, el conector del regulador de tiro/conducto se pueden instalar a una distancia hasta de 2.5 cm (1") desde el centro de la campana hacia cualquier lado o la placa del conducto redondo de 17.8 cm (7") se pueden instalar a una distancia hasta de 1.3 cm (½") desde el centro de la campana hacia cualquier lado. En instalaciones excéntricas extremas, un extremo del conector de regulador de conducto puede necesitar ser cortado al claro la grapa para cable eléctrico.

## CONEXIÓN ELÉCTRICA



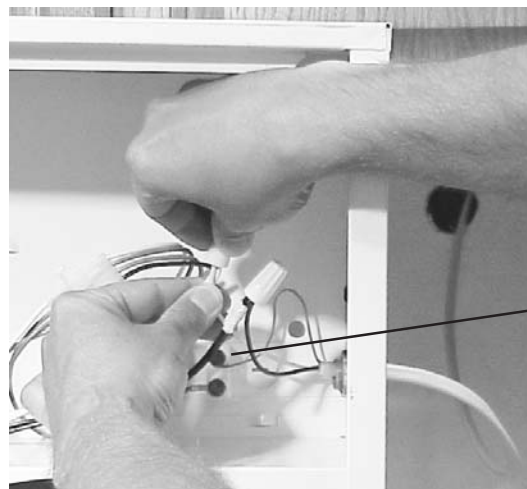
**ADVERTENCIA:** Para reducir el riesgo de descargas eléctricas, asegúrese de apagar el interruptor de alimentación eléctrica en el panel de servicio. Bloquee o rotule el panel de servicio para evitar que alguien conecte accidentalmente la energía eléctrica.



CABLEADO DOMÉSTICO (120 VCA)

CARTÓN (Para proteger la superficie de la estufa.)

- 1** Haga la **conexión eléctrica del suministro doméstico** (120 VCA) en la campana. Si es necesario, use un pedazo de **cartón** para proteger la superficie de la estufa.



TORNILLO VERDE DE CONEXIÓN A TIERRA

- 2** Conecte el cable negro del suministro doméstico con el cable negro de la campana, el cable blanco del suministro doméstico con el cable blanco de la campana y la conexión a tierra del suministro doméstico debajo del **tornillo verde de conexión a tierra**. Apriete fijamente una grapa para cable eléctrico a cableado doméstico.

- 3** Vuelva a instalar la cubierta de la conexión eléctrica.

### INSTALACIÓN DE LA CAMPANA



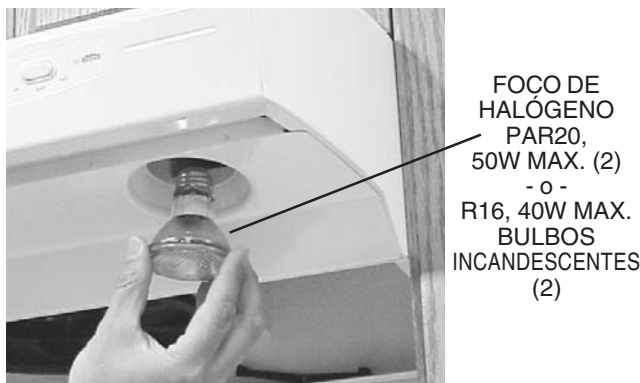
- 1 Cuelgue la campana de los (4) **orificios de montaje** (que se encuentran en la bolsa de piezas). Deslice la campana hacia la pared hasta que los orificios de montaje queden conectados en el extremo angosto de los (4) **orificios tipo bacallave**. Apriete fijamente los tornillos de montaje.

#### **PRECAUCIÓN** NO EMPUJE EN LA HOJA DEL VENTILADOR.

El empujar en la aspa del ventilador puede hacerla interferir con otras piezas de la capilla.



- 2 Conecte el sistema de conductos en la campana. Use **cinta para conductos** para fijar y sellar las uniones.



- 3 Instale (2) **focos de halógeno** PAR20, de 50 W máximo o (2) R16 **bulbos incandescentes** del máximo de 40W. Compre los bulbos por separado.

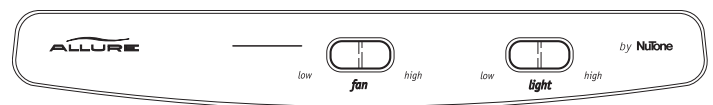
**PRECAUCIÓN: ¡Los bulbos pueden ser calientes!** Refiera a la empaqueta del bulbo para la información adicional.

- 4 Vuelva a colocar los filtros, y asegúrese de que la hoja de ventilador gira libremente. Conecte la energía en el panel de servicio y revise el funcionamiento adecuado de la campana.

### FILTROS SIN CONDUCTOS

Si la campana se va a instalar en un sistema sin conductos: Compre un juego de (2) filtros para sistemas sin conductos en la tienda distribuidora o minorista de su localidad y sujete a los filtros de malla de aluminio.

### OPERACIÓN



**Ventilador:** El interruptor oscilante de 3 posiciones (de la izquierda) controla el ventilador. La posición hacia la izquierda es la velocidad baja, la posición central es apagado y la posición hacia la derecha es la velocidad alta. Una luz indicadora se ilumina cuando el ventilador está encendido.

**Luz:** El interruptor oscilante de 3 posiciones (de la derecha) controla las luces. La posición de la izquierda es luz de baja intensidad, la posición central es apagado y la posición a la derecha es luz de alta intensidad.

### LIMPIEZA

**ADVERTENCIA:** Para reducir el riesgo de una descarga eléctrica, desconecte el suministro eléctrico antes de limpiar la unidad.

**Filtros de malla de aluminio:** Limpie frecuentemente los filtros con agua caliente y un detergente suave. Los filtros se pueden lavar en lavaplatos.

**Filtros de carbón:** Limpie frecuentemente los filtros con agua caliente y un detergente suave. NO sumerja los filtros en agua ni los coloque en el lavaplatos. La característica especial "Clean Sense" (Detección de limpieza) indica cuando se debe reemplazar el filtro. Las líneas azules y amarillas se combinarán produciendo un color verde cuando sea el momento de cambiar el filtro. La característica "Clean Sense" funciona mejor cuando se coloca orientada hacia la superficie para cocinar.

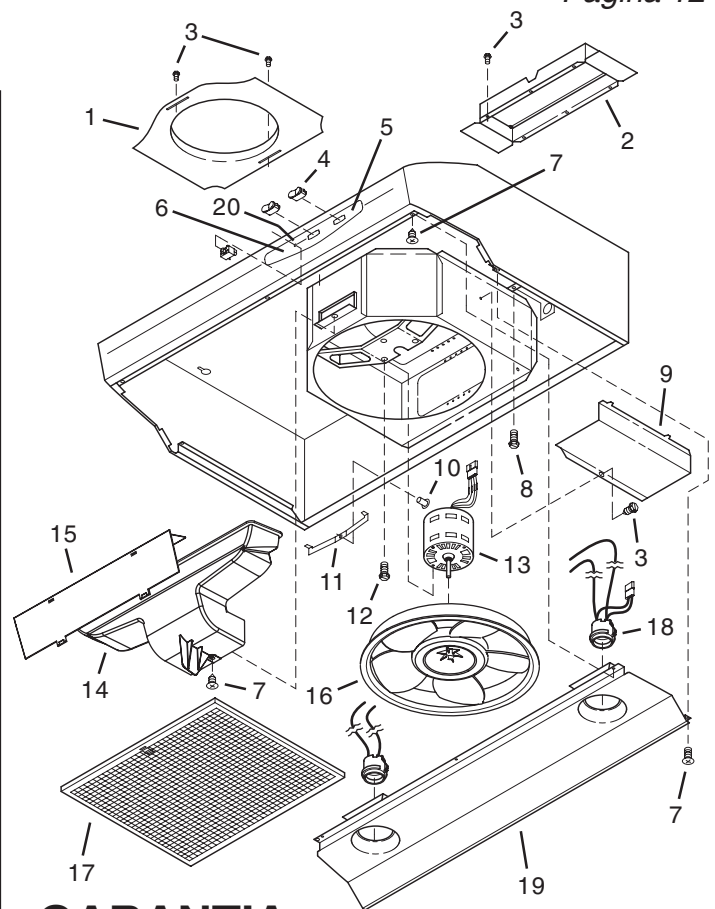
**Para limpiar la campana:** Quite los filtros. Use un paño húmedo y un detergente suave para limpiar las superficies con grasa. Tenga cuidado cuando limpie la hoja del ventilador. No se debe doblar ni desalinear. NO PERMITA LA ENTRADA DE AGUA EN EL MOTOR. Asegúrese de que todas las superficies estén completamente secas antes de volver a colocar los filtros y conectar la energía eléctrica.

El motor está permanentemente lubricado. No lubrique ni desmonte el motor.



### PIEZAS DE SERVICIO

CLAVE NO.	PIEZA NO.	DESCRIPCIÓN
1	R680508	Placa para conducto redondo de 17.8 cm (incluye herraje)
2	R740013	Conector de regulador de tiro/conducto (incluye herraje)
3	R602017	Tornillo, #8-18 x 1/4 hexagonal* (2 en el paquete)
4	R561115	Interruptor oscilante, color almendra (2 en el paquete)
	R561116	Interruptor oscilante, color blanco (2 en el paquete)
	R561117	Interruptor oscilante, color negro (2 en el paquete)
	R561119	Interruptor oscilante, cerámica (2 en el paquete)
5	R627518	Placa de identificación, color blanco
	R627519	Placa de identificación, color almendra
	R627520	Placa de identificación, inoxidable
	R627533	Placa de identificación, cerámica
	R627579	Placa de identificación, color negro
6	R607657	Lentes
7	R602534	Tornillo, 8-18 x 3/8* (2 en el paquete)
8	R602533	Tornillo de conexión a tierra
9	R680504	Cubierta para la conexión eléctrica (incluye herraje)
10	*	Remache, .125 dia.
11	R169016	Juego de resorte de filtro
12	R169002	Tornillo de montaje del motor (3 cada pieza)
13	R99080535	Motor (incluye juego de montaje de motor)
14	R401647	Juego de conducto para aire (incluye claves no. 15 y herraje)
15	R401646	Deflector
16	R531075	Hoja del ventilador (incluye sujetador de horquilla)
**	R99420635	Sujetador de horquilla
17	R531075	Juego de filtros, para campanas de 76.2 cm (2 por bolsa)
	99010300	Juego de filtros, para campanas de 91.4 cm (2 por bolsa)
	99010301	Juego de filtros, para campanas de 106.7 cm (2 por bolsa)
18	R111630	Cableado preformado para el receptáculo del foco
19	R7201621	Panel de iluminación, blanco, para campanas de 76.2 cm
	R7201651	Panel de iluminación, blanco, para campanas de 91.4 cm
	R7201671	Panel de iluminación, blanco, para campanas de 106.7 cm
	R7201622	Panel de iluminación, almendra, para campanas de 76.2 cm
	R7201652	Panel de iluminación, almendra, para campanas de 91.4 cm
	R7201672	Panel de iluminación, almendra, para campanas de 106.7 cm
	R7201624	Panel de iluminación, negro, para campanas de 76.2 cm
	R7201654	Panel de iluminación, negro, para campanas de 91.4 cm
	R7201674	Panel de iluminación, negro, para campanas de 106.7 cm
	R720163	Panel de iluminación, inoxidable, para campanas de 76.2 cm
	R720166	Panel de iluminación, inoxidable, para campanas de 91.4 cm
	R720168	Panel de iluminación, inoxidable, para campanas de 106.7 cm
	R7201625	Panel de iluminación, cerámica, para campanas de 76.2 cm
	R7201655	Panel de iluminación, cerámica, para campanas de 91.4 cm
	R7201675	Panel de iluminación, cerámica, para campanas de 106.7 cm
20	R169004	Luz indicadora (incluye 2 tuercas de alambres y lentes)
**	R169010	Montaje de diodo de la luz (incluye tuerca de alambre)
**	R111626	Arnés de alambres
**	99010308	Juego de filtros para sin conductos, 76.2 cm (2 por bolsa)
**	99010309	Juego de filtros para sin conductos, 91.4 cm (2 por bolsa)
**	99010310	Juego de filtros para sin conductos, 106.7 cm (2 por bolsa)



### GARANTIA

#### GARANTIA NUTONE LIMITADA POR UN AÑO

NuTone garantiza al consumidor comprador original de sus productos que dichos productos carecerán de defectos en materiales o en mano de obra por un período de un año a partir de la fecha original de compra. NO EXISTEN OTRAS GARANTÍAS, EXPLÍCITAS O IMPLÍCITAS, INCLUYENDO, PERO NO LIMITADAS A, GARANTÍAS IMPLÍCITAS DE COMERCIALIZACION O APTITUD PARA UN PROPOSITO PARTICULAR.

Durante el período de un año, y a su propio criterio, NuTone reparará o reemplazará, sin costo alguno cualquier producto o pieza que se encuentre defectuosa bajo condiciones normales de servicio y uso.

ESTA GARANTIA NO SE APLICA A TUBOS Y ARRANCADORES DE LAMPARAS FLUORESCENTES. Esta garantía no cubre (a) mantenimiento y servicio normales o (b) cualquier producto o piezas que hayan sido utilizadas de forma errónea, negligente, que hayan causado un accidente, o que hayan sido reparadas o mantenidas inapropiadamente (por otras compañías que no sean NuTone), instalación defectuosa, o instalación contraria a las instrucciones de instalación recomendadas.

La duración de cualquier garantía implícita se limita a un período de un año como se especifica en la garantía expresa. Algunos estados no permiten limitaciones en cuanto al tiempo de expiración de una garantía implícita, por lo que la limitación antes mencionada puede no aplicarse a usted.

LA OBLIGACION DE NUTONE DE REPARAR O REEMPLAZAR, SIGUIENDO EL CRITERIO DE NUTONE, DEBERA SER EL UNICO Y EXCLUSIVO RECURSO LEGAL DEL COMPRADOR BAJO ESTA GARANTIA. BROAN NO SERA RESPONSABLE POR DAÑOS INCIDENTALES, CONSIGUIENTES, O POR DAÑOS ESPECIALES QUE SURJAN A RAIZ DEL USO O DESEMPEÑO DEL PRODUCTO. Algunos estados no permiten la exclusión o limitación de daños incidentales o consiguientes, por lo que la limitación antes mencionada puede no aplicarse a usted.

Esta garantía le proporciona derechos legales específicos, y usted puede también tener otros derechos, los cuales varían de estado a estado. Esta garantía reemplaza todas las garantías anteriores.

Para calificar en la garantía de servicio, usted debe (a) notificar a NuTone al domicilio o número de teléfono na abajo, (b) dar el número del modelo y la identificación de la pieza, y (c) describir la naturaleza de cualquier defecto en el producto o pieza. En el momento de solicitar servicio cubierto por la garantía, usted debe de presentar evidencia de la fecha original de compra.

**NuTone, Inc., 4820 Red Bank Road, Cincinnati, OH 45227 (1-800-543-8687)**

Pida piezas de repuesto dando como referencia el N°. DE PIEZA, no el N°. DE CLAVE

\* Herraje estándar: se puede comprar en la ferretería de la localidad.

\*\* No ilustrado.



## Free Manuals Download Website

<http://myh66.com>

<http://usermanuals.us>

<http://www.somanuals.com>

<http://www.4manuals.cc>

<http://www.manual-lib.com>

<http://www.404manual.com>

<http://www.luxmanual.com>

<http://aubethermostatmanual.com>

Golf course search by state

<http://golfingnear.com>

Email search by domain

<http://emailbydomain.com>

Auto manuals search

<http://auto.somanuals.com>

TV manuals search

<http://tv.somanuals.com>