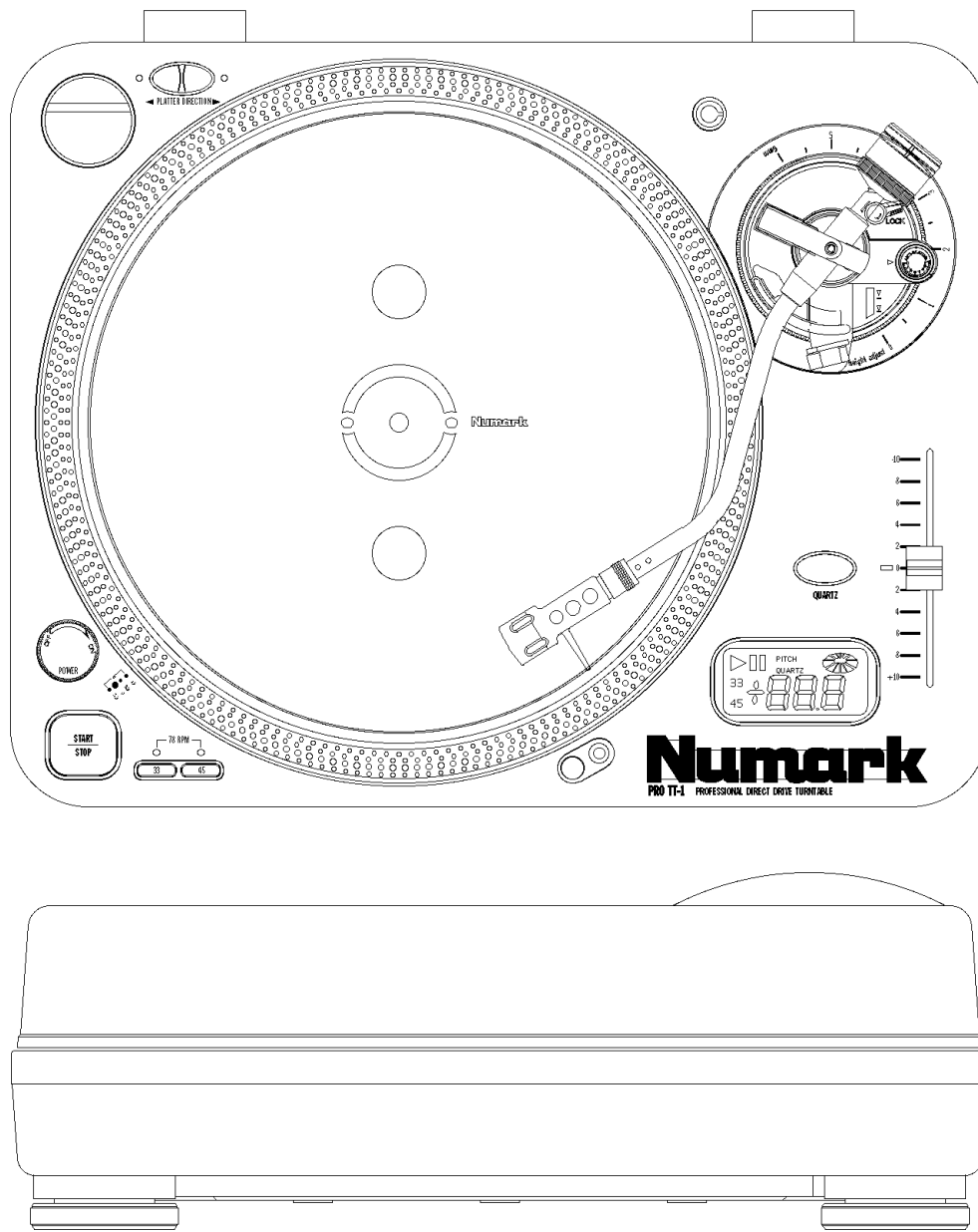




# Numark®

Professional Disc Jockey Products

## PRO TT-1 PROFESSIONAL DIRECT DRIVE TURNTABLE OWNER'S MANUAL



## Safety Information and Product Registration

	<b>CAUTION</b>	
<b>RISK OF ELECTRIC SHOCK DO NOT OPEN</b>		
<p>CAUTION: TO REDUCE THE RISK OF ELECTRIC SHOCK DO NOT REMOVE ANY COVER. NO USER- SERVICEABLE PARTS INSIDE. REFER SERVICING TO QUALIFIED SERVICE PERSONNEL ONLY.</p> <p>The lightning flash with arrowhead symbol within the equilateral triangle is intended to alert the user to the presence of un-insulated "dangerous voltage" within the product's enclosure that may be of sufficient magnitude to constitute a risk of electric shock to persons.</p> <p>The exclamation point within the equilateral triangle is intended to alert the user to the presence of important operating and maintenance (servicing) instructions in the literature accompanying this appliance.</p>		

<b>CAUTION</b>
FOR USA & CANADIAN MODELS ONLY
<p>TO PREVENT ELECTRIC SHOCK DO NOT USE THIS (POLARIZED) PLUG WITH AN EXTENSION CORD, RECEPTACLE OR OTHER OUTLET UNLESS THE BLADES CAN BE FULLY INSERTED TO PREVENT BLADE EXPOSURE.</p>

### SAFETY INSTRUCTIONS

1. **Read Instructions** - All the safety and operating instructions should be read before this product is connected and used.
2. **Retain Instructions** - The safety and operating instructions should be kept for future reference.
3. **Heed Warnings** - All warnings on this product and in these operating instructions should be followed.
4. **Follow Instructions** - All operating and other instructions should be followed.
5. **Water and Moisture** - This product should be kept away from direct contact with liquids.
6. **Heat** - Avoid placing this product too close to any high heat sources such as radiators.

7. **Power Sources** - This product should be connected to a power supply only of the type described in these operating instructions, or as marked on the unit.

8. **Power Cord Protection** - Power supply cords should be routed so that they are not likely to be walked upon or pinched by items placed on or against them. When removing the cord from a power outlet be sure to remove it by holding the plug attachment and not by pulling on the cord.

9. **Object and Liquid Entry** - Take care that objects do not fall into and that liquids are not spilled into the inside of the turntable.

10. **Damage Requiring Service** - This product should be serviced only by qualified personnel. If you have any questions about service please contact **Numark** at the number(s) shown on the back cover of this manual.

11. **Grounding or Polarization** - Precautions should be taken so that the grounding or polarization means built into the turntable is not defeated.

12. **Internal/External Voltage Selectors** - Internal or external voltage selector switches, if any, should only be reset and re-equipped with a proper plug for alternative voltage by a qualified service technician. Do not attempt to alter this yourself.

**NOTE:** This apparatus does not exceed the Class A/Class B (whichever is applicable) limits for radio noise emissions from digital apparatus as set out in the radio interference regulations of the Canadian Department of Communications.

**WARNING:** To reduce the risk of fire or electric shock, do not expose this appliance to moisture. Electrical equipment should **NEVER** be kept or stored in damp environments.

Please record the serial number of your unit as shown on the back of the chassis as well as the name of the dealer from whom you purchased the unit. Retain this information for your records. Please return the warranty card enclosed to register your product with us.

MODEL: <b>PRO TT-1</b>	PURCHASED FROM: _____
SERIAL NUMBER: _____	DATE OF PURCHASE: _____

---



---

# Numark PRO TT-1 Professional Turntable

---



---

## INDEX

Safety Information Product Registration	Page 2
System Precautions	Page 4
Introduction	Page 5
Features and Assembly Instructions	Page 6
Operating Instructions Routine Maintenance	Page 10
Specifications	Page 11
Warranty and Service	Page 12

### ***Contents of this package***

Please check outer packing material for hidden parts

1. Main Unit	1
2. Turntable platter	1
3. Rubber mat	1
4. Slip mat	1
5. Dust cover	1
6. 45-rpm adaptor	1
7. Counterweight	1
8. Headshell	1
8. Operating instructions	1
9. Registration Card	1

## IMPORTANT INFORMATION...

*Please read this entire manual before connecting the PRO TT-1 to your system.*

### *For optimum performance:*

- Always make sure that AC power is OFF while making any connections.
- **Do not force the platter to stop moving while the motor is engaged. Quality slipmats should be used to hold records in position. Forcing the motor to stop can damage the motor assembly.**
- **Never use spray cleaners or oils on the slide control. Residues cause excessive dirt build-up and this will void your warranty. In normal use slide controls can last for many years. If they malfunction (usually because of a dirty or dusty environment)**
- Never attempt to make any adjustments or repairs other than those described in this manual. Take the **PRO TT-1** to your dealer or to an authorized **Numark** Service Center.
- Do not place the unit in a location where it will be exposed to direct sun light or near a heating appliance.
- Do not place the unit in a location where there is high humidity or a lot of dust.
- Cartridge may pick up slight sound pressure or vibrations of the speakers coming along the floor or through the air resulting in howling. Find a location which is very stable and free of vibration.
- The legs have functions for adjusting the height of the unit itself. Adjust the legs to stabilize the main body horizontally.

### A NOTE ON CABLES:

Quality cable makes a *big* difference in audio fidelity and punch. See your **Numark** dealer or an electronics or audio specialist store if you are not sure which cables to get.

## GENERAL SYSTEM PRECAUTIONS

- Use appropriate cables throughout your system: Quality shielded audio cables and terminated shielded video cables, low-capacitance preferred. Speaker cables must be 14-gauge minimum; 12- or 10-gauge is better.
- Be sure plugs and jacks are tightly mated. Loose connections can cause hum, noise or intermittents that could easily damage your speakers.
- Reliability will be enhanced through the use of banana connectors on the speaker wires. Observe correct speaker wire polarity. If in doubt, consult your **Numark** dealer or a qualified technician.
- Take care to connect only one cable at a time. Pay attention to the color-coded, labelled Input and Output jacks.
- ALWAYS remember: **“TURN AMPS ON LAST AND OFF FIRST”**. Begin with master faders or volume controls on minimum and the amplifier gain/input control(s) down. Wait 8 to 10 seconds before turning up the volume. This prevents transients which may cause severe speaker damage.
- Use restraint when operating controls. Try to move them slowly. Rapid adjustments could damage speakers due to amplifier clipping.
- **Avoid amplifier “clipping” at all costs:** this occurs when the red LEDs (usually on the front panel of most professional power amplifiers) start flashing. **“Clipping”** is when the power amplifier is distorting and working beyond it’s limits. Amplifier distortion is THE major cause of speaker failure.
- To prevent fire or shock hazard, do not expose the unit to rain or moisture. **Never place cans of beer, soda, glasses of water or anything wet on top of the turntable!**

## **CONGRATULATIONS!**

You are now the owner a **Numark** PRO TT-1 Professional Turntable, the ultimate tool for todays skilled turntablist. This unit has been designed by DJs for DJs. With it's super high-torque platter and large back lit display the **Numark** PRO TT-1 gives the professional absolute total control. Enjoy this turntable and remember:

***BE CREATIVE!***

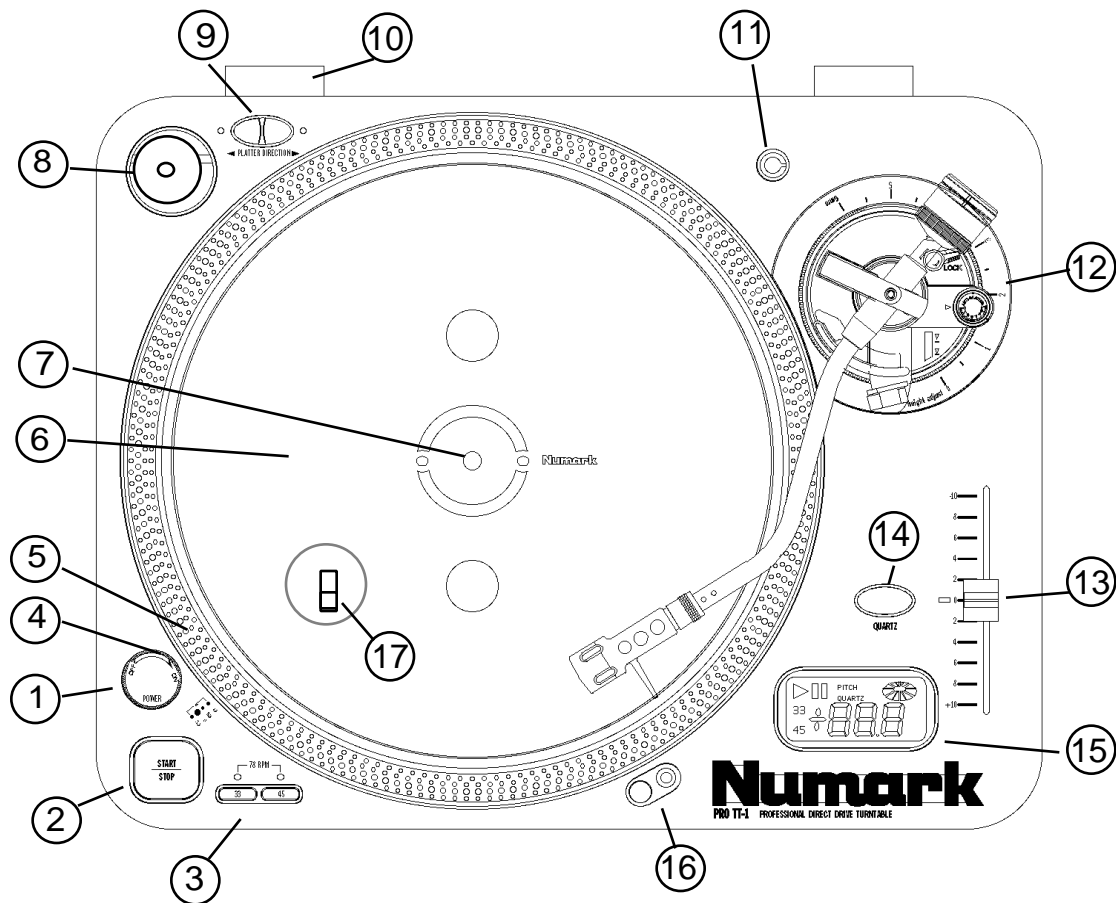
***Thank you for buying Numark DJ products!***

### FEATURES:

- $\pm$  10% pitch adjustment
- High Torque Platter Motor
- Start/Stop Button
- High Torque Braking
- 33/45/78 RPM speeds
- Forward and Reverse Platter Direction
- Unique Top Plate LCD Display indicating:
  - Play/Pause Mode
  - Pitch Change Percentage
  - Platter Speed
  - Quartz Lock Mode
  - Rotating 12 segment circular display indicating the spinning actions of the platter at all times
- S Shaped Tone arm assembly with:
  - Counterweight
  - Height Adjustment
  - Skating Adjustment
  - Height Lock
  - Lever lift with height adjustment
  - Tone arm holder with locking mechanism
- Pop-up Stylus Target Light
- Quartz Lock of 0% speed position
- 45RPM adapter and holder
- Extra Stylus Holder
- Output for:
  - Audio {Left Right & Ground}
  - Platter Speed - to be used with external process devices
  - External START/STOP control
- Adjustable Feet for Leveling
- Easily removable smoked plastic lid

**Numark** - The Leader in DJ Technology

# FEATURES, OPERATING, & ASSEMBLY INSTRUCTIONS...



To fully appreciate the features of the **Numark PRO TT-1**, please read this entire manual before you begin operation. The **PRO TT-1** should be placed on a level sturdy surface. Keep in mind that there are a few features you may never have seen before on a turntable of this type that you will need to read about to use properly.

Start by removing all parts from the package and place on a level surface. Carefully check all packing material for hidden parts. Use the contents guide for reference.

**Do not discard any packing materials!**

**1. Power Dial**

- On - Rotate Right
- Off - Rotate Left

**2. START/STOP** - Pressing once engages high torque motor pressing again engages brake.

**3. Platter Revolution Speed Buttons**

- 33rpm - Press 33
- 45rpm - Press 45
- 78rpm - Press 33 and 45

**4. Strobe Light** - This Pulses a beam of light at the Strobe Dots (5). By doing so the large dots will seem not to move in Quartz Lock mode.

**5. Strobe Dots** - Four rows of dots that indicate various stages in pitch adjust.

- 3.3% - outer row
- 0% - large dots
- +3.3% - next row
- +6% - inner row

**6. Platter** - Place this on the Center Spindle (7) and carefully position with the Alignment Pins (17)

**7. Center Spindle** - Keeps platter and records centered. Place the supplied slipmat on the Center Spindle now.

**Numark** - The Leader in DJ Technology

8. 45 Adapter - Place on Center Spindle (7) for playing 7" records with large center holes.

9. Forward/Reverse Buttons - These determine the direction the platter will spin.

10. Lid Hinge Holder - Place the bottom tabs of your lid hinges in here after you finish assembly.

11. Extra Stylus Holder - Place extra headshells here.

12. Tone Arm Assemble - Explained in tonearm section

13. Pitch Adjust - use this to change the speed of the platter when quartz lock is inactive. You can adjust the revolutions by  $\pm 10\%$ .

14. Quartz Lock

On - will hold the revolution speed at exactly the specified speed (3)

Off - will allow use of the Pitch Adjust (13)

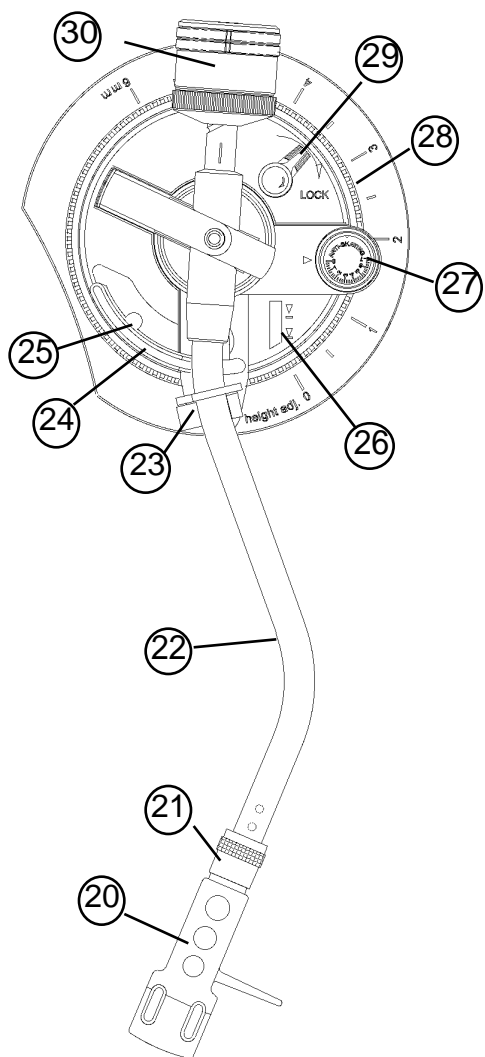
15. LCD Display - Explained in Display Section

16. Target Light - Press the button to the right and a light will pop up directed at the stylus position.

17. Voltage Selector - with unit unplugged set the desired voltage for your location using a screw driver.



## STONE ARM ASSEMBLY



20. Headshell - Attach the cartridge here.

*When installing a cartridge, refer to the installation instructions supplied by the manufacturer of that cartridge. During installation, attach the stylus protector to guard the stylus tip from damage.*

Attach wires as follows:

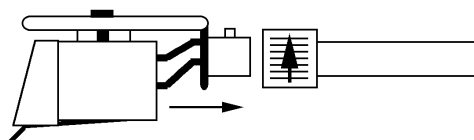
White (L+)Left channel+

Blue (L-)Left channel

Red (R+)Right channel+

Green (R-)Right channel

21. Headshell Locking Nut - Attach headshell by inserting into the front end of the tonearm, then turn the locking nut clockwise with the head shell firmly held horizontally.



22. S-Shaped Tone Arm

23. Tone Arm Clamp and Rest - Use this rest the tone arm and clamp it in position during transportation.

24. Tone Arm Lift - This elevates the tone arm above the record surface

25. Tone Arm Lift Adjust Screw - Controls the amount of lift

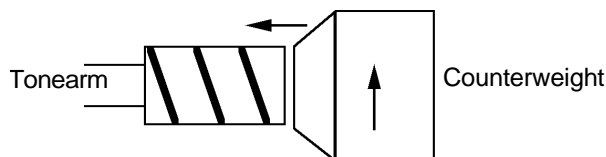
26. Tone Arm Lever - Controls the up and down action of the Tone Arm Lift

27. Anti-Skate Control - This applies inward force to the tonearm so it doesn't skip outward across the record due to the centrifugal force of the record spinning. Cartridge manufacturers usually specify the proper setting of this.

28. Tone Arm Height Adjust - This allows the tone arm to be properly align with the platter surface.

29. Height Lock - Prevents accidental adjustment if the height.

30. Counterweight - Adjustment creates the proper downward pressure of the stylus to the record. Attach now by sliding the counterweight onto the rear of the tonearm. Twist it lightly and it will screw onto the rear shaft of the tonearm.



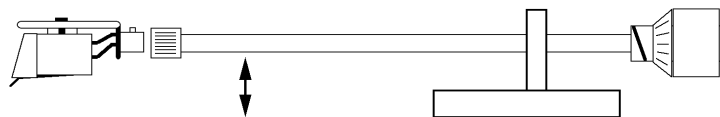
The following explains proper counterweight and anti-skating set up. Cartridge manufacturers usually specify the proper settings.

(1) Remove the stylus protector, do not touch the stylus tip during the adjustment.

(2) Set the cueing lever to the lower position so it does not effect tone arm height.

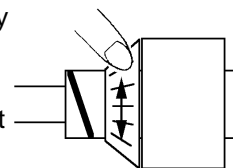
(3) Release the arm clamp and lift the tonearm from the arm rest so it moves freely.

(4) Rotate the counterweight until the tonearm is approximately balanced horizontally (floats freely).

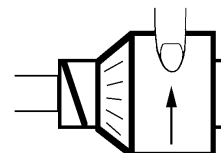


(5) Refasten the tonearm with the arm clamp.

(6) Hold the counterweight stationary with one hand and rotate only the stylus-pressure ring to bring the number "0" of the ring into alignment with the center line on the tonearm rear shaft.



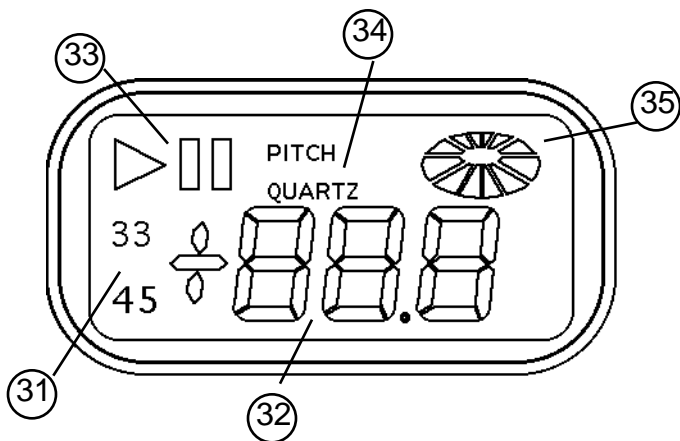
(7) Rotate the counterweight with scale ring clockwise to the correct stylus pressure following the manufacture's recommendation.



*Note: Failure to follow recommended stylus pressure can damage both the stylus and record. This can also seriously degrade performance.*

(8) Set the anti-skating control knob (27) to the same value as the stylus pressure, unless your manufacturer specifies otherwise.

## LCD DISPLAY



31. Speed Indication

33 - 33 rpm

45 - 45 rpm

33 + 45 - 78 rpm

32. Speed Adjust Indication - This will display up to  $\pm 10\%$  adjustment in speed.

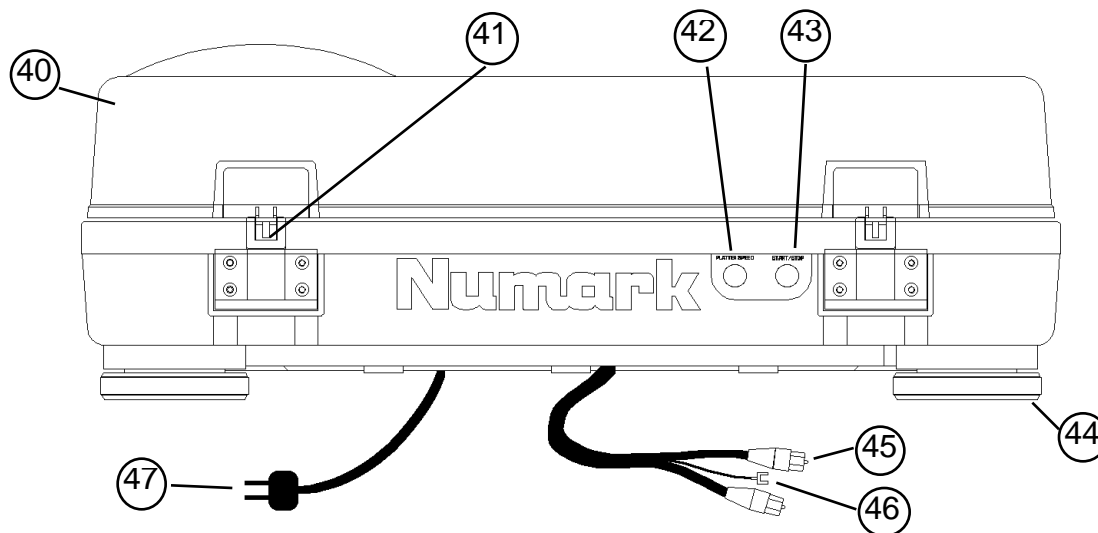
33. Play/Pause - Indicates current state of the platter

34. Pitch/Quartz I indicates current mode of operation

35. Platter Wheel - simulates all actions of speed and direction of the platter.



## REAR PANEL DIAGRAM...



40. Removable Lid - Protects the turntable from dirt and dust.

41. Hinge Assembly - Holds the lid and turntable together. Attach now by sliding the bottom tabs of the Hinge Assembly into the Hinge Holders (10).

42. Platter Speed Output - This output is to be used with external devices that require platter speed information.

43. Remote Start/Stop - This is used with external control devices.

*Tech note: This circuit is a normally open, use a momentary switch and a 1/4" mono plug to change play states of the unit.*

44. Adjustable Feet - Turn feet to level the platter surface.

45. Phono Output - Plug these into your mixer or preamplifiers' turntable input.

46. Ground Cable - Attach to the ground screw on your mixer or preamplifier to prevent turntable hum.

47. Power Cord - Plug this into an appropriate power outlet after checking your power setting switch (18) under the platter.

*Note: Please refer to CAUTION on page 2 concerning proper use of power*

**Your assembly should now be complete. Place your turntable on a vibration free level surface and attach to your mixer or preamplifier. If you are using the turntable for slip cueing or mixing music you will want to use the slipmat and not the rubber mat.**

## GENERAL OPERATING INSTRUCTIONS...

1. Turn the power dial to turn on, the speed indicator and the strobe-illuminator will light up.
2. Turn on and raise the target light for illuminating the stylus tip by pushing the target light button.
3. Place a record on the turntable mat, when playing a 45rpm record with a large center hole, place the 45-rpm adaptor on the center spindle.
4. Set the rotation speed (33/45/78) to match the record.
5. Release the arm clamp.
6. Set the cueing lever to the up position.
7. Press the Start/Stop button, the turntable platter will start to rotate.
8. Move the tonearm over the desired groove.
9. Set the cueing lever to the down position, the tonearm will descend slowly onto the record and play begins.
10. Adjust the pitch to a desirable speed. The pitch control is variable in a range of +/- 10%. During play, observe the strobe dots, if the strobe dots appear to the right, the pitch is slower than the rated speed, if flow to the left, the pitch is faster than the rated speed, if the strobe dots appear stationary, which means the platter is in normal turntable speed. Move the pitch control slider up or down to adjust the speed.
11. To suspend play, lift tone arm with cueing lever.
12. When play is finished, raise the cueing lever, move the tonearm to the arm rest, secure the tonearm with the arm clamp.
13. Turn off the target light off by pushing the light back down.
14. Press the Start/Stop button to stop the platter rotating, turn the power dial to turn off the power.

## Maintenance..

Routine maintenance should be performed by cleaning the stylus periodically with a soft brush to prevent the accumulation of dust. When the sound becomes distorted or noisy, check the stylus. If it is worn out, replace with a new one. From time to time, the dust cover and turntable cabinet should be wiped with a soft, dry cloth. Use of any volatile materials as alcohol, thinner, benzine, etc., may remove the paint or damage the luster and should not be used.

# SPECIFICATIONS...

## TURNTABLE SECTION

Type	3-speed, full manual
Driving method	Direct drive
Motor	12 Pole, 3 Phase, Brushless DC Motor
Turntable platter	Aluminum diecast 330mm dia.
Turntable speed	33-1/3 , 45, and 78 rpm
Pitch Variance	±10%
Starting Torque	more than 2.2kgf.cm
Braking	Electronic

## OUTPUT

Wow and flutter	0.13%
S/N ratio	50dB (DIN-B)
Output Difference	2.3dB
Output Level	1.7 - 3.5 mV
Channel Separation	16dB
Pitch	675±1Hz with 33 1/3 rpm 1170±1Hz with 78 rpm

## TONARM SECTION

Type	Static Balanced S-shaped with detachable headshell
Effective length	234mm
Overhang	20mm
Tracking Force	0-4g
Anti-Skate	0-7g
Cartridge Weight	6-10g

## GENERAL

Power supply	AC110-127V / 220-240V, 50/60Hz
Power consumption	15 Watts
Dimension (W x D x H)	450 x 352 x 148.5 mm 17 3/4" x 13 3/4" x 5 7/8"
Weight	10.8Kgs 24 lbs

*Specifications and design may be changed without notice due to continual product improvement.*

# Numark®

## LIMITED PRODUCT WARRANTY

- 1. What is covered and for how long?** NUMARK INDUSTRIES LCC ("NUMARK") warrants to the original purchaser that NUMARK'S DJ mixers and amplifiers are free from defects in material and workmanship under normal use and service for the period commencing upon the date of purchase from an authorized NUMARK dealer and continuing for the following period of time after that date for **(2) Years**. The warranty is extended to **(3) Years** with the completion of the warranty card provided that the warranty card is completed and returned within (30) days from the date of purchase.  
All other NUMARK products are warranted for **(1) Year** including but not limited to CD players, turntables, preamplifiers, beatkeepers, equalizers, microphones, headphones, and all other accessories.
- 2. What is not covered?** This Limited Warranty is conditioned upon proper use of the product by the purchaser.  
This Limited Warranty does not cover: (a) defects or damage resulting from accident, misuse, abuse, neglect, unusual physical or electrical stress, modification of any part of the product, or cosmetic damage; (b) equipment that has the serial number removed or made illegible; (c) all plastic surfaces and other externally exposed parts that are scratched or damaged due to normal use; (d) defects or damage from improper testing, operation, maintenance, installation, adjustment, or service of the mixers; (e) crossfaders.
- 3. What are NUMARK'S obligations?** During the applicable warranty period, NUMARK will repair or replace, at NUMARK'S sole discretion, without charge to the purchaser, any defective component part of the mixer. To obtain service under this Limited Warranty, purchaser must first contact NUMARK and obtain a return authorization number ("RA#"). Purchaser must then return the mixer to NUMARK in an adequate container for shipping, accompanied by purchaser's sales receipt or comparable proof of sale showing the date of purchase, the serial number of the product, and the seller's name and address. To obtain an RA# and assistance on where to return the mixer, contact NUMARK customer service at 401-295-9000. Upon receipt, NUMARK will repair or replace the defective products. NUMARK may, at NUMARK'S sole discretion, use rebuilt, reconditioned, or new parts or components when repairing any product or replace a product with a rebuilt, reconditioned or new product. Repaired mixers will be warranted for a period equal to the remainder of the original Limited Warranty on the original mixer or for (90) days, whichever is longer. All replaced parts, components, boards and equipment become the property of NUMARK. If NUMARK determines that any mixer is not covered by this Limited Warranty, purchaser must pay all parts, shipping, and labor charges for the repair or return of such mixer.
- 4. What are the limits on NUMARK'S liabilities?** THE WARRANTIES GIVEN IN THIS LIMITED WARRANTY, TOGETHER WITH ANY IMPLIED WARRANTIES COVERING NUMARK MIXERS, INCLUDING WITHOUT LIMITATION ANY WARRANTIES OF MERCHANTABILITY OR FITNESS FOR A PARTICULAR PURPOSE, ARE LIMITED TO THE DURATION OF THIS LIMITED WARRANTY. EXCEPT TO THE EXTENT PROHIBITED BY APPLICABLE LAW, NUMARK SHALL NOT BE LIABLE FOR ANY SPECIAL, INCIDENTAL, CONSEQUENTIAL, INDIRECT OR SIMILAR DAMAGES, LOSS OF PROFITS, DAMAGES TO PURCHASER'S PROPERTY, OR INJURY TO PURCHASER OR OTHERS ARISING OUT OF THE USE, MISUSE OR INABILITY TO USE ANY NUMARK MIXER, BREACH OF WARRANTY, OR NEGLIGENCE, INCLUDING BUT NOT LIMITED TO NUMARK'S OWN NEGLIGENCE, EVEN IF NUMARK OR ITS AGENT HAS BEEN ADVISED OF SUCH DAMAGES, OR FOR ANY CLAIM BROUGHT AGAINST PURCHASER BY ANY OTHER PARTY. THIS LIMITED WARRANTY IS THE COMPLETE WARRANTY FOR NUMARK'S MIXERS, AND IS GIVEN IN LIEU OF ALL OTHER EXPRESS WARRANTIES. THIS LIMITED WARRANTY SHALL NOT EXTEND TO ANYONE OTHER THAN THE ORIGINAL PURCHASER OF THIS PRODUCT AND STATES PURCHASER'S EXCLUSIVE REMEDY. IF ANY PORTION OF THIS LIMITED WARRANTY IS ILLEGAL OR UNENFORCEABLE BY REASON OF ANY LAW, SUCH PARTIAL ILLEGALITY OR UNENFORCEABILITY SHALL NOT AFFECT THE ENFORCEABILITY OF THE REMAINDER OF THIS LIMITED WARRANTY WHICH PURCHASER ACKNOWLEDGES IS AND WILL ALWAYS BE CONSTRUED TO BE LIMITED BY ITS TERMS OR AS LIMITED AS THE LAW PERMITS.  
This Limited Warranty allocates risk of product failure between purchaser and NUMARK, and NUMARK'S product pricing reflects this allocation of risk and the limitations of liability contained in this Limited Warranty. The agents, employees, distributors, and dealers of NUMARK are not authorized to make modifications to this Limited Warranty, or make additional warranties binding on NUMARK. Accordingly, additional statements such as dealer advertising or presentation, whether oral or written, do not constitute warranties by NUMARK and should not be relied upon.
- 5. How does state law apply to this warranty?** SOME STATES DO NOT ALLOW THE EXCLUSION OR LIMITATIONS OF INCIDENTAL OR CONSEQUENTIAL DAMAGES OR HOW LONG AN IMPLIED WARRANTY LASTS, SO THE ABOVE LIMITATIONS OR EXCLUSIONS MAY NOT APPLY TO PURCHASER.

This Limited Warranty gives you specific legal rights. You may also have other rights, which vary from one jurisdiction to another.

## RETURN INFORMATION

1. A Return Authorization number must be obtained from Numark through the address or phone numbers below.
2. A copy of the original sales receipt must also be included for the equipment to be repaired under warranty.
3. The faulty equipment must be packed in its original packaging.
4. One additional outer layer of packaging must be included to ensure product safety. Failure to do so may inadequately protect the equipment in transit and, therefore, jeopardize the customer's warranty.
5. **Numark will not accept COD shipments and no call tags will be issued for merchandise return.**
6. Numark will not return repaired merchandise to customers by priority service, unless by written request at the customer's cost. Requests must be submitted in writing with merchandise returned.
7. The defective Numark equipment should be sent, FREIGHT PREPAID with Return Authorization number clearly printed on the outer packaging and original sales receipt enclosed to:

**Numark** INDUSTRIES  
Attention: Service Department  
11 Helmsman Avenue  
North Kingstown, RI 02852 USA

Phone: +1 (401) 295-9000  
Fax: +1 (401) 295-5200  
E-mail: numark@numark.com

## Free Manuals Download Website

<http://myh66.com>

<http://usermanuals.us>

<http://www.somanuals.com>

<http://www.4manuals.cc>

<http://www.manual-lib.com>

<http://www.404manual.com>

<http://www.luxmanual.com>

<http://aubethermostatmanual.com>

Golf course search by state

<http://golfingnear.com>

Email search by domain

<http://emailbydomain.com>

Auto manuals search

<http://auto.somanuals.com>

TV manuals search

<http://tv.somanuals.com>