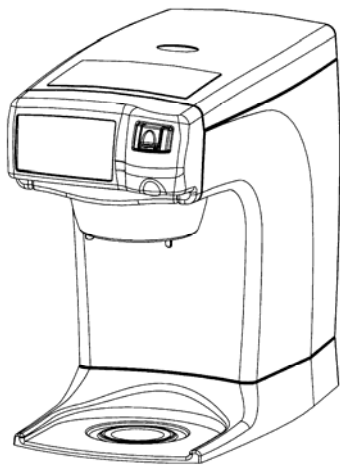


FreshStart™

by OASIS

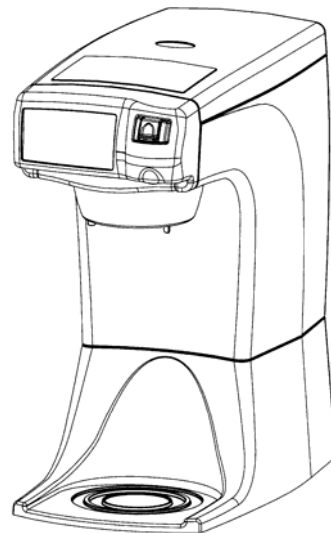
INSTALLATION / OPERATION MANUAL FSTB-A SERIES BREWERS



FSTB-A60 *FSTB-A60C

Length 20-1/2
Height 16-7/8
Width 9-7/8

1430 Watts
12 Amps
120 Volts



FSTB-A80

Length 20-1/2
Height 21-1/2
Width 10-1/4

1430 Watts
12 Amps
120 Volts

*Model includes carafe



OASIS CORPORATION
265 N. Hamilton Road
P. O. Box 3150 • Columbus, OH 43213-0150
1-800-64-OASIS (1-800-646-2747)
www.OasisWaterCoolers.com

Manual PN 30099-256

CAUTION: READ INSTALLATION / OPERATION INSTRUCTIONS PRIOR TO INSTALLING AND OPERATING THE FRESHSTART BREWER

INSTALLATION INSTRUCTIONS

A. INSPECTION

Brewer comes complete with brew basket, detachable power cord and installation/operation manual (carafe may be included, but is sold separately).

1. Inspect the carton and brewer for evidence of rough handling and concealed damage. Damage claims should be filed with the carrier.
2. Remove top cover.
3. Remove float cap assembly from the feed reservoir. Inspect float arms to ensure they are moving freely (shipping may cause floats to catch against the side of the float cap). If float arm is caught, pull arm down and ensure it is moving freely.
4. Replace float cap assembly to the feed reservoir.
5. Check that the spray head tube from the solenoid valve to the spray head is securely connected (see Figure 8).
6. Replace top cover.

B. CONNECTING WATER SUPPLY TO BREWER

IMPORTANT: Unit must be installed on a water line with water pressure between 20 PSI and 90 PSI. If water pressure exceeds 90 PSI or has the ability to spike beyond 90PSI a pressure regulator should be installed.

Flush water line prior to installing brewer. Brewer should be connected to a COLD WATER LINE.

1. Place brewer on a level surface.
2. Insert water supply tube into external fitting (see figure 1). Brewer is equipped with an external fitting (located at rear) capable of accepting a 3/8" tube.

NOTE: Brewers are shipped with a plug in the external fitting. Plug must be removed before installing the water supply tube.

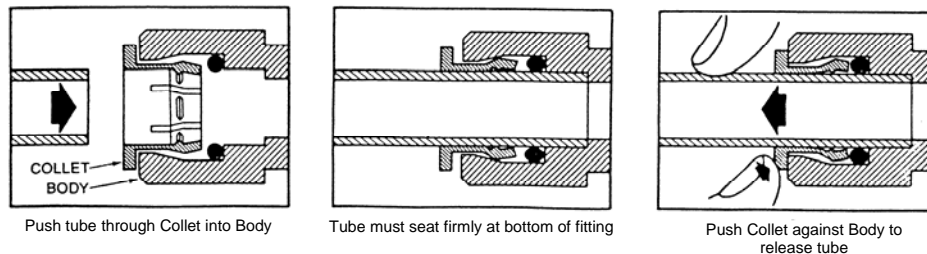
PLASTIC TUBING

- Cut tube ends square and straight. Do not deform the tube (i.e., cause tube to compress its diameter so it is no longer round).
- Make sure the outer surface of the tube is clear of marks or scratches for a length equal to twice the tube diameter. This allows the "O" ring to seat properly against the tube (See Figure 1).
- Avoid sharp changes in direction when routing the tubing. Sharp turns cause the tubing to flex and deform which reduces its flow capacity.

QUICK-CONNECT FITTINGS

- Fittings consist of two parts: a body and a collet (See Figure 1).
- To install a tube, push it through the collet until it seats firmly at the bottom of the fitting.
- To remove a tube, push and hold the collet against the body while pulling the tube out.

Figure1
How to Use Quick-Connect Fittings



3. Open water supply. The tank will immediately begin to fill. Tank fill time is approximately 3-5 minutes and is complete when the sound of flowing water has stopped.

C. ELECTRICAL CONNECTION

1. When tank has completed the water fill cycle, insert the IEC side of the electrical cord into the receptacle at the rear of the brewer.
2. Plug the three prong electrical cord in 120 Volts outlet capable of carrying 15 AMPS – 1600 Watts.

WARNING: WATER TANK MUST BE FILLED BEFORE PLUGGING MACHINE INTO ELECTRICAL OUTLET

VOLUME PROGRAM PROCEDURE

A. ENERGIZE BREWER / HOT TANK HEAT UP

1. To power up brewer and start the hot tank, push the *ON/OFF MAIN POWER* switch, at rear of the brewer, to the **ON** position (See Figure 2).



Figure 2
ON/OFF MAIN POWER switch illustration (switch located at rear of brewer)

2. Turn the front control panel on by pressing the *ON/OFF BREW CANCEL* button. The red light above this button will illuminate indicating that the front control panel is on.
3. Hot tank must reach full temperature. From a cold start, final temperature will be reached in 10-15 minutes and is indicated when the green *OPTIMUM WATER TEMPERATURE* light is illuminated.
4. Once hot tank has reached final temperature, the expanded water must be released. To do so, place the appropriate empty carafe into position under brew basket, start a brew cycle by pressing the *BREW (FULL POT)* button and let it run for about (20 seconds). To stop the brew cycle, press the *ON/OFF BREW CANCEL* button.

NOTE: Brewer is pre-programmed at the factory for a (6 oz.) brew cycle. Program procedure must be completed to set required pot volume.

B. INITIATE VOLUME PROGRAM PROCEDURE

1. Make sure power is shut off to the brewer by pushing the *ON/OFF MAIN POWER* switch to the **OFF** position.
2. Press and hold down the *BREW (FULL POT)* button on the front control panel.
3. While holding down the *BREW (FULL POT)* button, push the *ON/OFF MAIN POWER* switch at the rear of the unit to the **ON** position.
4. Once the *ON/OFF MAIN POWER* switch has been pushed to the **ON** position, the *BREW (FULL POT)* button can be released.

The brewer is now in the volume set up mode and is indicated by a flashing red light above the *BREW (FULL POT)* button.

C. PROGRAM POT SIZE

1. Remove brew basket.
2. Place measuring pitcher on base under the spray head (*spray head must be attached for accurate volume*).
3. Press the *BREW (FULL POT)* button to start water flow (*red light will continue to blink*).
4. Allow measuring pitcher to fill to the required volume.
5. Press the *BREW (FULL POT)* button to stop water flow when it has reached the required volume.
6. Press the *BREW (FULL POT)* button again to lock the volume into memory.

NOTE: Programmed volume will remain in memory even with loss of power or if unplugged, until the volume program procedure is initiated and volume is reprogrammed.

Half pot function is automatically calculated and set to exactly half of the programmed volume.

CAUTION: THE FILTER LOCATED ON THE FLOAT CAP MUST REMAIN COMPLETELY DRY AT ALL TIMES. TAKE SPECIAL CARE IN TRANSPORTING A BREWER WITH A FULL UPPER RESERVOIR AS IT MAY CAUSE THE FILTER TO GET WET.

OPERATION INSTRUCTIONS

A. BREWING COFFEE

1. Remove brew basket from brewer.
2. Place one (1) standard commercial filter (9.5 inch diameter) into brew basket.
3. Put required amount of coffee grounds into filter and shake brew basket to level off coffee grounds.
4. Return brew basket to brewer.

NOTE: Brew basket is designed to click into place when properly installed. This action secures the brew basket to the cabinet.

5. Place appropriate *EMPTY* thermal carafe into position below the brew basket.
6. Press the *BREW (FULL POT)* button for full pot volume or the *BREW (HALF POT)* button for half pot volume.

NOTE: The corresponding light above the chosen *BREW* button will blink for the duration of the brew cycle. When light has stopped blinking, the brew cycle is complete and it is safe to remove the carafe.

7. After brewing is complete, remove brew basket and discard used coffee grounds and filter.
8. Rinse brew basket and return to brewer.

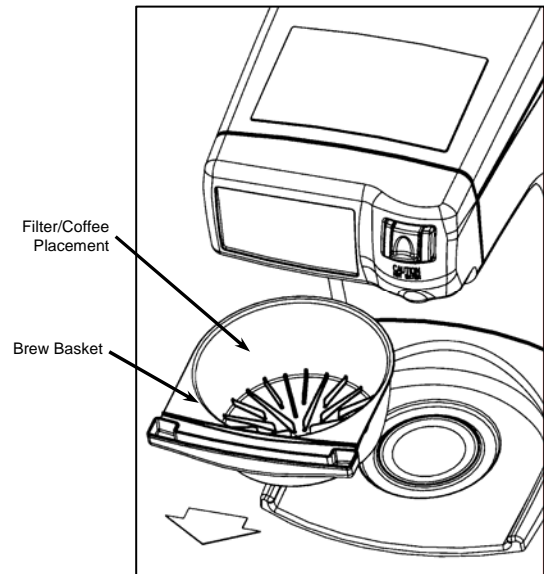


Figure 3
Brew Basket Illustration

B. CANCELLING A BREW CYCLE

To cancel a brew cycle that is in process, press the *ON/OFF BREW CANCEL* button located on the front control panel. When canceling a brew cycle, water is shut off to the spray head, but the brew basket will continue to drain until depleted.

C. CUP DRAW FROM SAFETY FAUCET

CAUTION: WATER FROM SAFETY FAUCET IS HOT

To draw a cup of hot water from the safety hot faucet (red button located on the front panel of the brewer):

1. Place an empty cup directly under the non-textured bump out located directly under the *CAUTION HOT WATER* label (see figure 4).
2. Push the red button down and forward to start the flow of hot water.
3. When finished, release button. Button will return to original position and hot water will stop flowing.

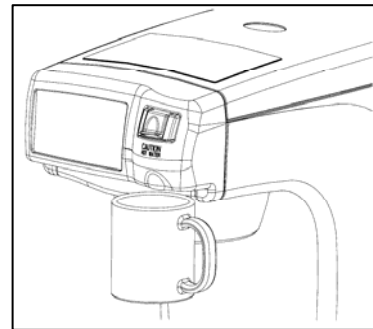


Figure 4
Safety Faucet Illustration

SERVICE INSTRUCTIONS

A. ADJUSTING HOT TANK THERMOSTAT

Whenever thermostat adjustment becomes necessary, complete the following procedure:

1. Disconnect power cord from electrical outlet.
2. Remove (2) screws and rear panel (see figure 5).
3. Use a bladed screwdriver to adjust the thermostat knob (see figure 5). Turn clockwise for hotter water temperature and counter clockwise for cooler water temperature.
4. Replace rear panel and (2) screws.
5. Plug power cord into electrical outlet and follow steps 1-3 in ENERGIZE BREWER/HOT TANK HEAT UP

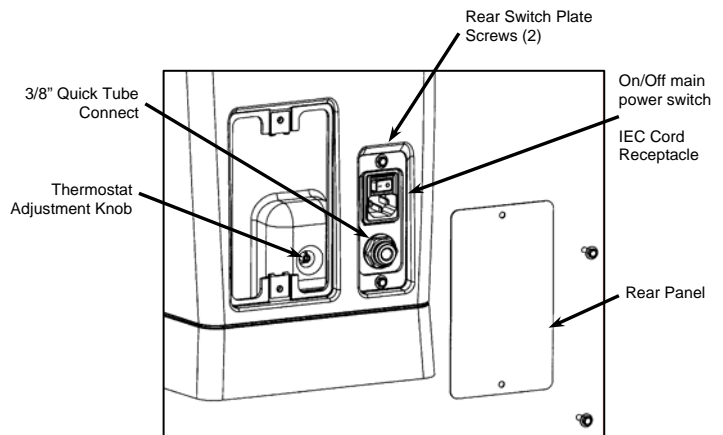


Figure 5
Thermostat Adjustment Illustration

B. CLEANING THE SPRAYHEAD

Over time mineral build up may develop around the (6) spray holes on the spray head which may lead to pot volume variances. Periodic inspection and cleaning of the spray head is recommended.

1. Turn spray head counter clockwise a quarter turn until it stops (see figure 6).
2. The spray head and the brew basket rail will drop straight down to remove.
3. Remove gasket from spray head when cleaning.
4. Reassemble spray head and brew basket rail using reverse procedure. Make sure spray head detents (clicks) into place when reassembling.

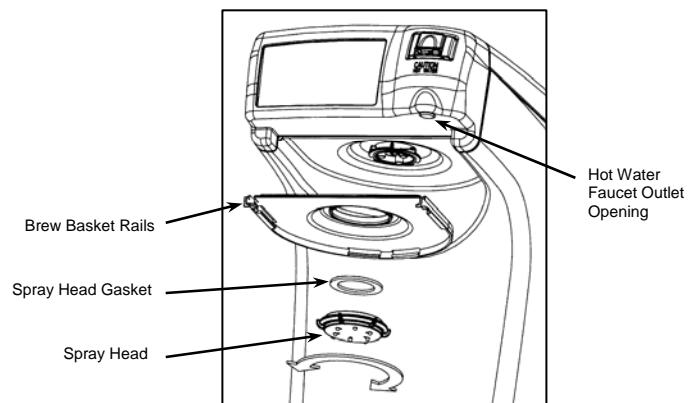


Figure 6
Spray head removal illustration

C. REMOVING HOT TANK ASSEMBLY FROM CABINET ASSEMBLY

1. Turn the main water supply to brewer OFF.
2. Disconnect the power cord from both the electrical outlet and the IEC plug located at the rear of the brewer (see figure 5).
3. Disconnect 3/8 inch supply tube from quick tube connect (see Figure 5).

NOTE: If hot tank is full, water will dribble from the external tube fitting. It is recommended that the fitting be plugged with the provided 3/8 inch plug.

4. Remove cover from cabinet assembly.
5. Remove (2) screws and rear panel (see figure 5).
6. Pull drain tube out rear access opening.
7. Remove plug from end of drain tube.

CAUTION: HOT WATER WILL IMMEDIATELY FLOW FROM DRAIN TUBE.

8. Remove ribbon cable for circuit board.
9. Let tank completely drain of water.
10. When finished draining tank, replace the drain tube plug.
11. Remove silicone tube from hot water faucet fitting.
12. Remove molded silicone tube from spray head top.
13. Remove (2) screws from rear switch plate (see figure 5).
14. Remove hot tank assembly from cabinet by lifting from the upper plastic reservoir (see figure 7).

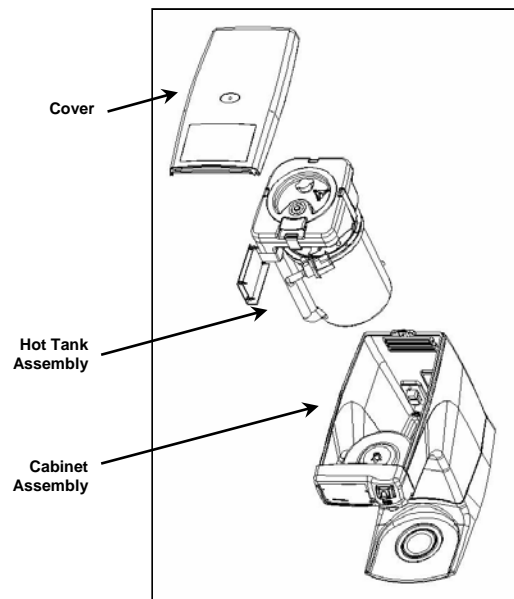


Figure 7
Hot Tank / Cabinet Assembly

D. SERVICING THE MECHANICAL FLOATS

Resetting the Safety Float

1. Remove cover from cabinet.
2. Press down on the safety float re-set button (see figure 8).

Float arm inspection

1. Remove float cap from top reservoir.
2. Float arms should move up and down freely and should not bind or catch (see figure 9).

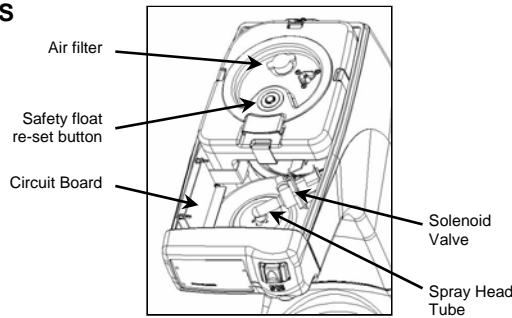


Figure 8
Open Cover



Figure 9
Mechanical Float Cap Assembly

E. INSPECT AND REPLACE CIRCUIT BOARD FUSE

1. Disconnect power cord from electrical outlet.
2. Remove cover from cabinet.
3. Locate fuse at the lower right side of the circuit board (see figure 8) and inspect the fuse filament for breakage.
4. If fuse appears to have blown, carefully remove it from the circuit board and check it for continuity.
5. If fuse is blown, replace it with a 25 volt, 5 AMP, slow blow fuse.

F. INSPECT AND REPLACE DUMP SOLENOID VALVE

1. Disconnect power cord from electrical outlet.
2. Remove cover from cabinet.
3. Locate dump solenoid (see figure 8) and visually inspect clear solenoid valve body for mineral build up or debris.
4. If build up or obstruction has occurred, remove the hot tank assembly from the outer cabinet (see section C).
5. Remove both sets of wires from the solenoid valve.
6. Remove from the solenoid valve both the silicone tube from the hot tank and the angled silicone tube going to the spray head.
7. Remove the dump solenoid by loosening the two screws that hold it to the bracket assembly. Once the screws have been loosened, the solenoid valve can be removed from the bracket slots (see figure 10).
8. If replacement is required, assemble a new or refurbished dump solenoid valve in the reverse order.

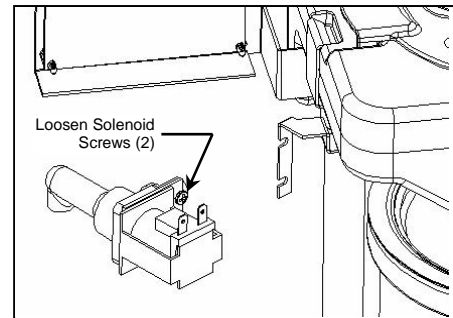


Figure 10
Dump Solenoid Valve

G. THERMOSTAT REPLACEMENT

Primary Thermostat (see figure 11)

1. Disconnect the power cord from both the electrical outlet and the IEC plug located at the rear of the brewer (see figure 5).
 2. Remove the hot tank assembly from the outer cabinet (see section C).
 3. Remove both wires from the anti boil thermostat.
 4. Loosen tie wire and remove the rear half of the insulation from the hot tank.
 5. Using an 11/32 inch nut driver, remove nut from thermostat threaded weld stud. Nut secures thermostat and cover.
 6. Remove thermostat cover.
 7. Remove thermostat from threaded weld stud.
 8. Remove both wires from thermostat.
 9. Replace using the reverse order as above.
- NOTE: When threading the nut back to the weld stud (the reverse of step 5) a torque value of 18 inch pounds must be applied for proper assembly.

Anti-Boil Thermostat (see figure 11)

1. Follow steps (1-4) from Primary Thermostat.
2. Using a 1/4 inch nut driver remove both screws from bracket.
3. Replace using the reverse order.

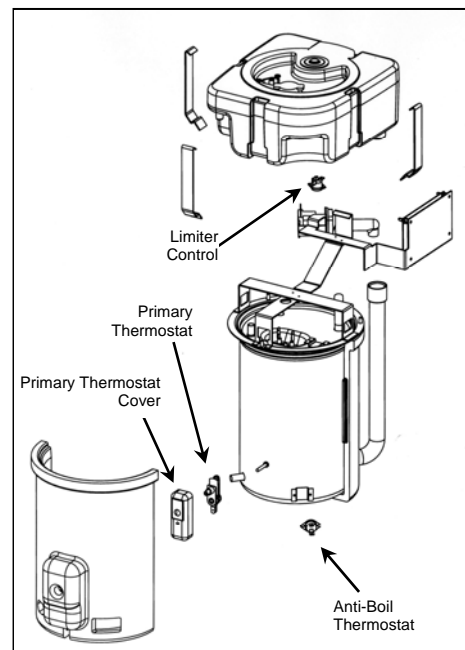


Figure 11
Thermostat Locations

G. THERMOSTAT REPLACEMENT (CONTINUED)

Limitter Control (see figure 11)

1. Follow steps 1 and 2 from Primary Thermostat.
2. Remove tank feed and vent silicone tubing from reservoir bottom.
3. Remove upper reservoir by releasing the (3) clips.
4. Remove both wires from limiter thermostat.
5. Using a ¼ inch nut driver remove both screws from bracket.
6. Replace limiter control using the reverse order.

H. INSPECT AND REPLACE HOT FAUCET

Mineral build up may occur over time causing a slower than normal flow rate from hot faucet. Periodically inspect the faucet outlet (see figure 6) for mineral build up. Also check for mineral build up, obstruction or kinking of the silicone tube from the hot tank to the hot faucet. If build up is abundant, the hot faucet may need to be replaced. For replacement see instructions below.

1. Drain hot tank (see Section C steps 1-8)
2. Remove silicone tube from hot faucet.
3. Remove (4) front panel assembly screws from inside cabinet.
4. Remove (2) faucet bracket screws from front panel assembly.
5. Loosen hot faucet nut and remove faucet from bracket.
6. Replace hot faucet using the reverse order.

NOTE: If dripping from hot faucet occurs, the bonnet (see Figure13) may be too loose. To tighten, turn bonnet one quarter turn clockwise.

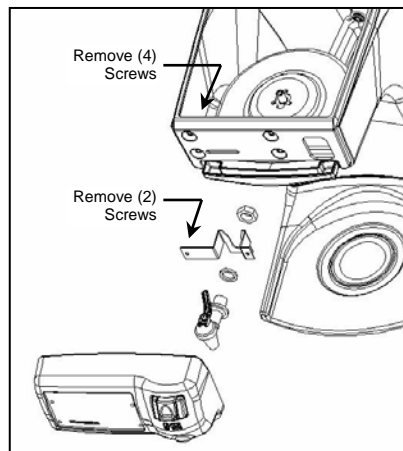


Figure12
Hot Faucet Assembly

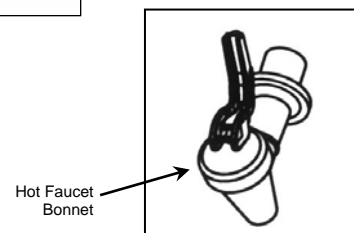


Figure 13
Hot Faucet

I. FLOAT CAP AIR FILTER (see figure 8)

NOTE: If brewer is moved while filled with water, splashing from the upper reservoir may cause the air filter on the float cap to get wet. When moving or transporting brewers, make sure the tank is drained enough that the upper feed reservoir is not holding any water.

NOTE: Make sure the air filter is completely dry of before setting the pot volume.

If the filter media inside the air filter is wet during the programming of a pot volume, it may cause variances in pot volumes for subsequent brew cycles. Make sure the air filter is completely dry of before setting the pot volume.

If the filter media inside the air filter gets wet anytime after the programming of pot volume, it may cause erratic pot volumes.

J. HOT TANK MAINTENANCE

NOTE: Over time the hot tank and hot water ways may develop mineral build up which can narrow waterways affecting pot volumes and hot faucet draws. Mineral build up may occur sooner or later depending on the TDS level of the supply water to the brewer.

TROUBLE SHOOTING GUIDE

PROBLEM	RESOLUTION
Brew Cycle Will Not Start	<ul style="list-style-type: none"> • Check that the power cord is properly plugged into the IEC receptacle located at the back of the brewer (see Figure 5). • Check that the power cord is plugged into a proper electrical outlet (see Service Instructions Section C). • Check that the power switch is in the “on” position (see figure 2). • Check that the water supply line to the brewer is connected properly and turned on (see Service Instructions Section B). • Check/ replace fuse on circuit board (see Service Instructions Section E). • Re-set safety float (see Service Instructions Section D). • Check for mineral build up, clogs or kinks to water lines and fittings. • Clean spray head (see Service Instructions Section B). • Check solenoid valve for mineral build up or blockage (see Service Instructions Section F). • Replace solenoid valve (see Service Instructions Section G). • Verify that the volume program procedure was completed correctly according to the manual (see Volume Program Procedure).
No Hot Water or Not Hot Enough Hot Water	<ul style="list-style-type: none"> • Check that brewer is getting power • Adjust thermostat (see Service Instructions Section A). • Replace primary thermostat (see Service Instructions Section G). • Replace heating element.
Carafe Overflows	<ul style="list-style-type: none"> • Verify carafe is empty before brewing fresh pot. • Verify supply line pressure – if needed add a pressure regulator. • Check that float arms are moving up and down freely and are not binding (see Service Instructions Section D). • Check for mineral buildup, clogs or kinks to water lines and fittings. • Remove and dry (air) filter (see Service Instructions Section I). • Check hot tank for mineral build up (see Service Instructions Section J). • Re-set pot size (see Volume Program Procedure).
Weak Coffee	<ul style="list-style-type: none"> • Adjust thermostat to provide hotter water (see Service Instructions Section B). • Clean spray head (see Service Instructions Section B). • Modify coffee roast, blend, grind or filter.
Hot Faucet Dripping	<ul style="list-style-type: none"> • Tighten hot faucet bonnet one quarter turn (see Service Instructions Section H). • Replace hot faucet (see Service Instructions Section H).
Slow Flow Rate from Hot Faucet	<ul style="list-style-type: none"> • Check for mineral build up at the faucet outlet (see Service Instructions Section H). • Check for mineral build up, obstructions or kinks to silicone tube from hot tank outlet to hot faucet (see Service Instructions Section H).
Dry Coffee Remaining in Brew Basket	<ul style="list-style-type: none"> • Clean spray head (see service instructions section B). • Sift grounds flat to set filter (see operation instructions section A). • Check for mineral build up, clogs or kinks to water lines and fittings.

Free Manuals Download Website

<http://myh66.com>

<http://usermanuals.us>

<http://www.somanuals.com>

<http://www.4manuals.cc>

<http://www.manual-lib.com>

<http://www.404manual.com>

<http://www.luxmanual.com>

<http://aubethermostatmanual.com>

Golf course search by state

<http://golfingnear.com>

Email search by domain

<http://emailbydomain.com>

Auto manuals search

<http://auto.somanuals.com>

TV manuals search

<http://tv.somanuals.com>