

# Océ Operations Guide

English version




## Océ OP14 Printing System Set-up

*Operations Guide*



## Trademark Information

- PRESCRIBE is a registered trademark of Kyocera Corporation.
- PRESCRIBE 2e and KPDL2 are trademarks of Kyocera Corporation.
- MS-DOS, Windows and Windows NT are trademarks of Microsoft Corporation.
- PCL and PjL are registered trademarks of Hewlett-Packard Company.
- PostScript is a registered trademark of Adobe Systems Incorporated.
- Ethernet is a registered trademark of Xerox Corporation.
- Novell and NetWare are registered trademarks of Novell, Inc.
- Centronics is a trademark of Centronics Data Computer Corporation.
- IBM and IBM PC-AT are trademarks of International Business Machines Corporation.
- PowerPC is a trademark of International Business Machines Corporation of America and other corporations.
- TrueType and Macintosh are registered trademarks of Apple Computer, Inc.
- AppleTalk is a trademark of Apple Computer, Inc.
- This product was developed using Tornado, the real-time operating system (ROTS) general development environment from Wind River Systems, Inc.
- This printer uses PeerlessPrintXL, a PCL compatibility system developed by Peerless Group, to emulate the HP LaserJet Printer Control Language (PCL6). PeerlessPrintXL is a trademark of Peerless Group (Redondo Beach, CA 90278, U.S.A.).
- **AGFA**  Contains UFST™ and MicroType® from Agfa Corporation.

All other company and product names contained in this Instruction Handbook are trademarks or registered trademarks of their respective companies. The designations ™ and ® will not be used in this handbook.

All rights reserved. No part of this material may be reproduced or transmitted in any form or by any means, electronic or mechanical, including photocopying, recording or by any information storage and retrieval system, without permission in writing from the Publisher.

### Legal Restriction On Copying

- It may be prohibited to copy copyrighted material without permission of the copyright owner.
- It is prohibited under any circumstances to copy domestic or foreign currencies.
- Copying other items may be prohibited.

## IBM PROGRAM LICENSE AGREEMENT

THE DEVICE YOU HAVE PURCHASED CONTAINS ONE OR MORE SOFTWARE PROGRAMS ("PROGRAMS") WHICH BELONG TO INTERNATIONAL BUSINESS MACHINES CORPORATION ("IBM"). THIS DOCUMENT DEFINES THE TERMS AND CONDITIONS UNDER WHICH THE SOFTWARE IS BEING LICENSED TO YOU BY IBM. IF YOU DO NOT AGREE WITH THE TERMS AND CONDITIONS OF THIS LICENSE, THEN WITHIN 14 DAYS AFTER YOUR ACQUISITION OF THE DEVICE YOU MAY RETURN THE DEVICE FOR A FULL REFUND. IF YOU DO NOT SO RETURN THE DEVICE WITHIN THE 14 DAYS, THEN YOU WILL BE ASSUMED TO HAVE AGREED TO THESE TERMS AND CONDITIONS.

The Programs are licensed not sold. IBM, or the applicable IBM country organization, grants you a license for the Programs only in the country where you acquired the Programs. You obtain no rights other than those granted you under this license.

The term "Programs" means the original and all whole or partial copies of it, including modified copies or portions merged into other programs. IBM retains title to the Programs. IBM owns, or has licensed from the owner, copyrights in the Programs.

### 1. License

Under this license, you may use the Programs only with the device on which they are installed and transfer possession of the Programs and the device to another party. If you transfer the Programs, you must transfer a copy of this license and any other documentation to the other party. Your license is then terminated. The other party agrees to these terms and conditions by its first use of the Program.

You may not:

- 1) use, copy, modify, merge, or transfer copies of the Program except as provided in this license;
- 2) reverse assemble or reverse compile the Program; or
- 3) sublicense, rent, lease, or assign the Program.

### 2. Limited Warranty

The Programs are provided "AS IS."

THERE ARE NO OTHER WARRANTIES COVERING THE PROGRAMS (OR CONDITIONS), EXPRESS OR IMPLIED, INCLUDING, BUT NOT LIMITED TO, THE IMPLIED WARRANTIES OF MERCHANTABILITY AND FITNESS FOR A PARTICULAR PURPOSE.

Some jurisdictions do not allow the exclusion of implied warranties, so the above exclusion may not apply to you.

SUPPLEMENT TO AGREEMENT FOR SOFTWARE BUNDLING AND DISTRIBUTION FOR ALDC

### 3. Limitation of Remedies

IBM's entire liability under this license is the following:

- 1) For any claim (including fundamental breach), in any form, related in any way to this license, IBM's liability will be for actual damages only and will be limited to the greater of ;
  - a) the equivalent of U.S.\$25,000 in your local currency; or
  - b) IBM's then generally available license fee for the Program

This limitation will not apply to claims for bodily injury or damages to real or tangible personal property for which IBM is legally liable.

IBM will not be liable for any lost profits, lost savings, or any incidental damages or other economic consequential damages, even if IBM, or its authorized supplier, has been advised of the possibility of such damages. IBM will not be liable for any damages claimed by you based on any third party claim. This limitation of remedies also applies to any developer of Programs supplied to IBM. IBM's and the developer's limitations of remedies are not cumulative. Such developer is an intended beneficiary of this Section. Some jurisdictions do not allow these limitations or exclusions, so they may not apply to you.

### 4. General

You may terminate your license at any time. IBM may terminate your license if you fail to comply with the terms and conditions of this license. In either event, you must destroy all your copies of the Program. You are responsible for payment of any taxes, including personal property taxes, resulting from this license. Neither party may bring an action, regardless of form, more than two years after the cause of action arose. If you acquired the Program in the United States, this license is governed by the laws of the State of New York. If you acquired the Program in Canada, this license is governed by the laws of the Province of Ontario. Otherwise, this license is governed by the laws of the country in which you acquired the Program.

## Typeface Trademark Acknowledgement

All resident fonts in this printer are licensed from Agfa Corporation.

Helvetica, Palatino and Times are registered trademarks of Linotype-Hell AG.

ITC Avant Garde Gothic, ITC Bookman, ITC ZapfChancery and ITC Zapf Dingbats are registered trademarks of International Type-face Corporation.

## Agfa Japan License Agreement

1. "Software" shall mean the digitally encoded, machine readable, scalable outline data as encoded in a special format as well as the UFST Software.
2. You agree to accept a non-exclusive license to use the Software to reproduce and display weights, styles and versions of letters, numerals, characters and symbols ("Typefaces") solely for your own customary business. Agfa Japan retains all rights, title and interest to the Software and Typefaces and no rights are granted to you other than a License to use the Software on the terms expressly set forth in this Agreement.
3. To protect proprietary rights of Agfa Japan, you agree to maintain the Software and other proprietary information concerning the Typefaces in strict confidence and to establish reasonable procedures regulating access to and use of the Software and Typefaces.
4. You agree not to duplicate or copy the Software or Typefaces, except that you may make one backup copy.
5. This License shall continue until the last use of the Software and Typefaces, unless sooner terminated. This License may be terminated by Agfa Japan if you fail to comply with the terms of this License and such failure is not remedied within thirty (30) days after notice from Agfa Japan. When this License expires or is terminated, you shall either return to Agfa Japan or destroy all copies of the Software and Typefaces and documentation as requested.
6. You agree that you will not modify, alter, disassemble, decrypt, reverse engineer or decompile the Software.
7. Agfa Japan warrants that for ninety (90) days after delivery, the Software will perform in accordance with Agfa Japan-published specifications. Agfa Japan does not warrant that the Software is free from all bugs, errors and omissions. THE PARTIES AGREE THAT ALL OTHER WARRANTIES, EXPRESSED OR IMPLIED, INCLUDING WARRANTIES OF FITNESS FOR A PARTICULAR PURPOSE AND MERCHANTABILITY, ARE EXCLUDED.
8. Your exclusive remedy and the sole liability of Agfa Japan in connection with the Software and Typefaces is repair or replacement of defective parts, upon their return to Agfa Japan. IN NO EVENT WILL AGFA JAPAN BE LIABLE FOR LOST PROFITS, LOST DATA, OR ANY OTHER INCIDENTAL OR CONSEQUENTIAL DAMAGES, OR ANY DAMAGES CAUSED BY ABUSE OR MISAPPLICATION OF THE SOFTWARE AND TYPE-FACES.
9. New York, U.S.A. law governs this Agreement.
10. You shall not sublicense, sell, lease, or otherwise transfer the Software and/or Typefaces without the prior written consent of Agfa Japan.
11. Use, duplication or disclosure by the Government is subject to restrictions as set forth in the Rights in Technical Data and Computer Software clause at FAR 252-227-7013, subdivision (b)(3)(ii) or subparagraph (c)(1)(ii), as appropriate. Further use, duplication or disclosure is subject to restrictions applicable to restricted rights software as set forth in FAR 52.227-19 (c)(2).
12. YOU ACKNOWLEDGE THAT YOU HAVE READ THIS AGREEMENT, UNDERSTAND IT, AND AGREE TO BE BOUND BY ITS TERMS AND CONDITIONS. NEITHER PARTY SHALL BE BOUND BY ANY STATEMENT OR REPRESENTATION NOT CONTAINED IN THIS AGREEMENT. NO CHANGE IN THIS AGREEMENT IS EFFECTIVE UNLESS WRITTEN AND SIGNED BY PROPERLY AUTHORIZED REPRESENTATIVES OF EACH PARTY.

## **About this Instruction Handbook**

This Instruction Handbook <Set-up Edition> is meant to be read when the Printer Board is installed in your copier and the copier is to be used mainly as a local printer. It contains explanations on set-up procedures for using the copier as a printer.

As the required set-up and configurations for the printer may differ depending upon the environment in use in the connected computer, please read those sections related to your specific computer environment and perform the appropriate set-up and configuration explained there.

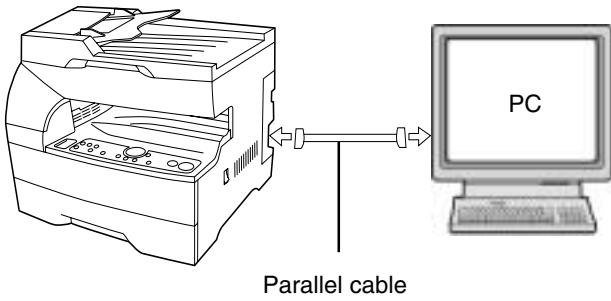
This handbook should also be read and used together with the On-Line Manual that is on the included CD-ROM. That On-Line Manual contains explanations on printing, performing certain settings and configurations, and the procedures required at your computer.

## **About the On-Line Manual**

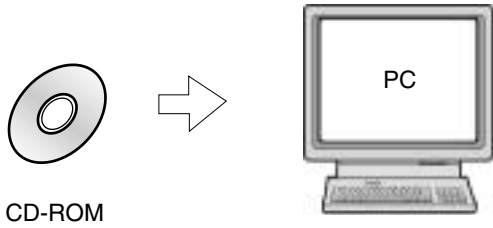
The On-Line Manual for this Instruction Handbook is a PDF (Portable Document Format) file and is located on the CD-ROM that is included with this product. The Adobe Acrobat Reader software is required in order to access the On-Line Manual. The installer for Adobe Acrobat Reader is also included on the CD-ROM so the software can be installed onto your hard disk from there.

# Getting connected

## When connecting the printer directly to your computer (with a parallel cable) ...



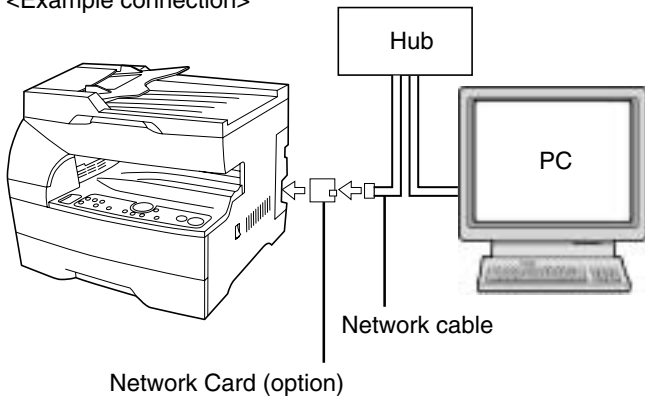
① Connecting the printer directly to your computer with a parallel cable ..... Page 3



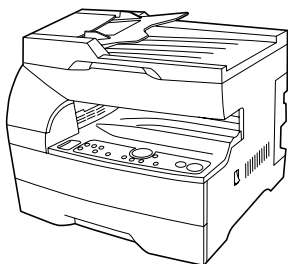
② Installing the printer driver into your computer ... Refer to the On-Line Manual

## When connecting the printer to a network (the optional Network Card must be installed)...

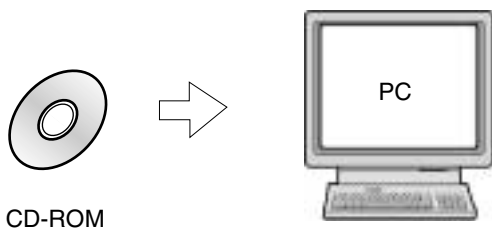
<Example connection>



① Connecting a network cable (100Base-TX, 10Base-T, etc.) to the printer ..... Page 3



② Performing network (TCP/IP) settings at the printer ..... Page 4



③ Installing the printer driver into your computer ... Refer to the On-Line Manual

# Table of contents

---

<b>1. Preparations .....</b>	<b>1</b>
1-1 Accessories .....	1
1-2 Required items .....	1
1-3 Name of parts (main body) .....	1
1-4 Name of parts (operation panel) .....	2
<b>2. Set-up .....</b>	<b>3</b>
2-1 Connecting the printer cable .....	3
2-2 Installing the software .....	3
2-3 Network (TCP/IP) settings .....	4
<b>3. Troubleshooting .....</b>	<b>5</b>
3-1 Canceling printing .....	5
3-2 When an error code or error messages appears... ..	6
3-3 Basic troubleshooting chart .....	8
<b>4. Specifications .....</b>	<b>9</b>

# 1. Preparations

## 1-1 Accessories

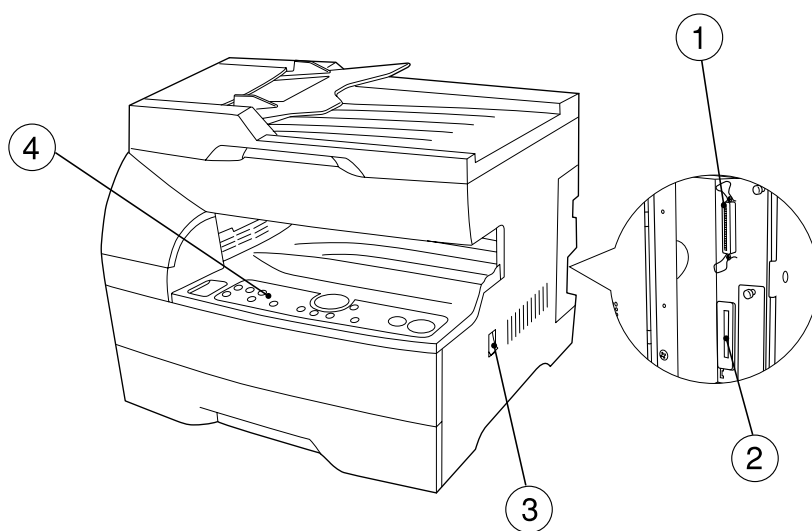
- 1 CD-ROM
- This Instruction Handbook

## 1-2 Required items

- Parallel cable

## 1-3 Name of parts (main body)

- ① Parallel interface connector  
Connect a bi-directional parallel cable here.
- ② Memory Card slot  
Insert the optional Memory Card here.
- ③ Main switch  
Turn this switch ON ( I ) first, prior to using the printer.  
Always turn this switch OFF ( O ) when connecting the printer cable, etc.
- ④ Operation panel  
Use when performing settings, etc., at the printer itself.

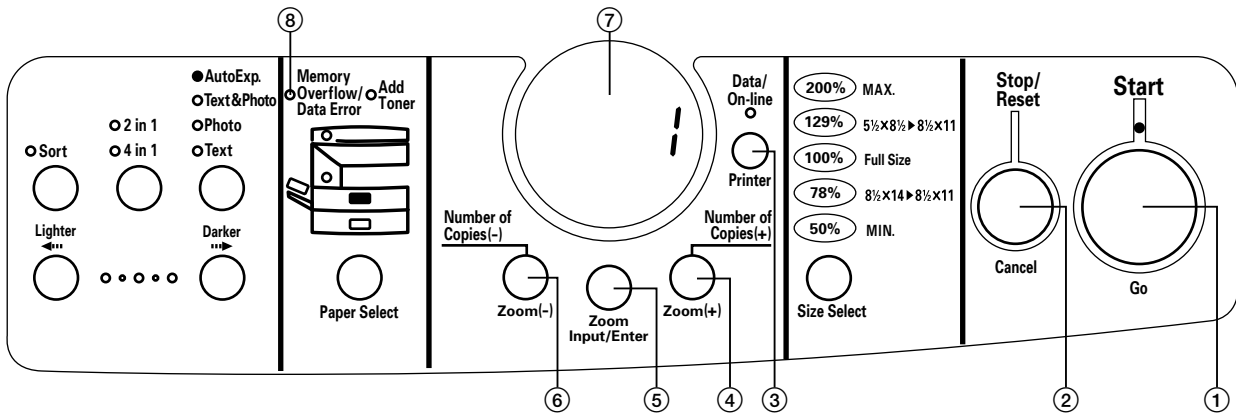




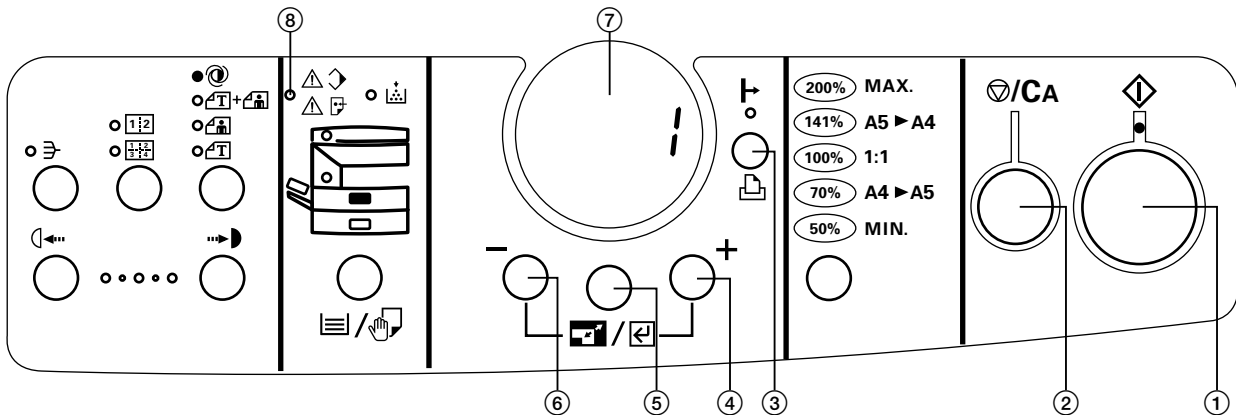
# 1. Preparations

## 1-4 Name of parts (operation panel)

### Inch specifications



### Metric specifications



- ① Start [GO] key  
Press this key when you want to restart printing, as well as when you want to initiate the operation for form feed. This key is also used to switch the printer on- and off-line. When the printer is on-line, the Data On-line indicator will be lit.
- ② Stop/Reset [CANCEL] key  
Press this key when you want to stop printing, when you want to cancel a setting midway through it, or when you want to clear an error message.
- ③ Printer key  
Press this key when you want to switch to the printer mode.
- ④ Number of Copies/Zoom(+) key  
Press this key when you want to scroll down among the various functions, settings, etc.
- ⑤ Zoom Input/Enter key  
Press this key when you want to register a setting.
- ⑥ Number of Copies/Zoom(-) key  
Press this key when you want to scroll up among the various functions, settings, etc.
- ⑦ Copy quality/magnification display  
Indicates the status of the printer as well as other settings. "P00" will be displayed when the machine is in the printer mode.
- ⑧ Memory Overflow/Data Error indicator  
Flashes when a printing error has occurred. In this case, "Prt" and "E##" will alternately flash as well in the copy quality/magnification display. Press the Printer key and check the cause of the error. For more detailed information, refer to "3-2 When an error code or error messages appears..." on page 6.

- **The copy quality/magnification display in the printer mode**  
To enter the printer mode, press the Printer key. The indications that appear in the copy quality/magnification display when the machine is in the printer mode are explained in the table below.

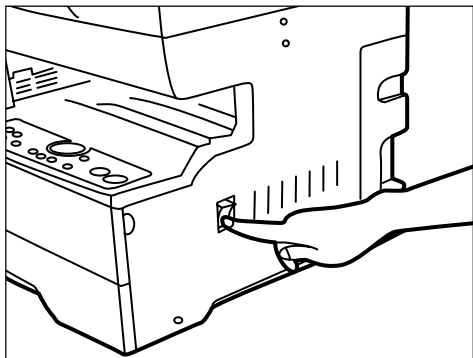
Indication	Meaning
P00	This is the initial display when the machine is in the printer mode.
P##	Indicates the menu number of printer-related settings. The actual menu number of the selected setting will be displayed in place of the ##. For more detailed information, refer to the On-Line Manual.
Prt ↕ E##	"Prt" and "E##" will alternately flash when a printer error occurs. (The corresponding error number will be displayed in place of the ##.) For more detailed information, refer to "3-2 When an error code or error messages appears..." on page 6.
Prt ↕ ##	"Prt" and a 2-digit number will alternately flash to indicate the current status of the printer. The meaning of the flashing numbers is as follows: 01: The printer is in the middle of a self test. This will appear when the main switch is turned ON ( I ) as well as when the printer is reset. 02: The printer is in the process of changing settings. Wait until it has completed the operation. 10: The printer is in the middle of processing data. 15: The printer is waiting for data. 20: A form feed time-out has occurred. 25: The printer is in the process of canceling data.

# 2. Set-up

## 2-1 Connecting the printer cable

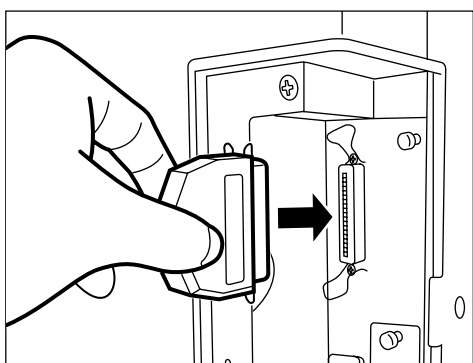
**CAUTION:** ALWAYS turn the main switch to the printer OFF (O) BEFORE connecting the printer cable.

- 1 Turn the main switch located on the right side of the printer OFF (O) and then turn the power off to your computer as well.



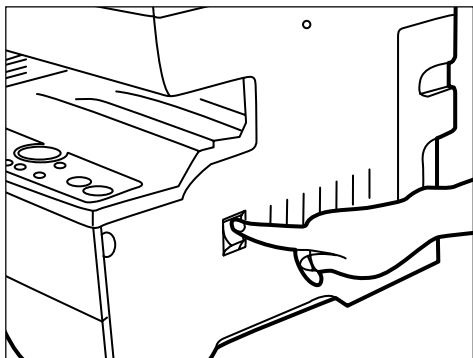
- 2 Remove the cover located at the back of the right side of the printer, and connect the printer cable to the parallel interface connector.

\* If the optional Network Card is installed in the printer, connect the printer cable (100BASE-TX, etc.) and perform the appropriate network settings. Refer to "2-3 Network (TCP/IP) settings" on page 4.



- 3 Connect the other end of the printer cable to the parallel interface connector on your computer.

- 4 Turn the main switch to the printer back ON (I).



## 2-2 Installing the software

Perform the following procedure to install into your computer the printer driver and other software that is appropriate to the operating system in use in that computer. For information on installing the required software, refer to the On-Line Manual that is located on the CD-ROM that is included with this product.

## 2. Set-up

### 2-3 Network (TCP/IP) settings

When the optional Network Card is installed and this machine is to be used as a network printer, it is necessary to set the corresponding IP address for the printer.

#### Notes

- The IP address that should be registered here will differ depending upon your network environment. Check with your network administrator BEFORE performing this setting.
- If you are using a DHCP server to automatically configure the IP address, this setting will not be necessary because DHCP server configuration is already enabled as the factory default setting.
- \* To cancel the setting midway through it, press the Stop/Reset key.

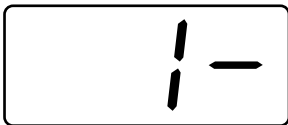
- 1** Press the Printer key. The machine will switch to the printer mode and "P00" will appear in the copy quality/magnification display.



- 2** Use the (+) and (-) keys to select "23" and then press the Enter key. The display will change to "P23" (the TCP/IP ON/OFF setting).



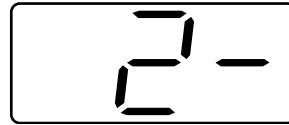
- 3** Use the (+) and (-) keys to select "1" (On) and then press the Enter key. The selected setting will flash twice and will then be registered.



- 4** Use the (+) and (-) keys to select "24" and then press the Enter key. The display will change to "P24" (the DHCP ON/OFF setting).



- 5** Use the (+) and (-) keys to select "2" (Off) and then press the Enter key. The selected setting will flash twice and will then be registered.



- 6** Use the (+) and (-) keys to select "25" and then press the Enter key. The display will change to "P25" (the IP address setting).



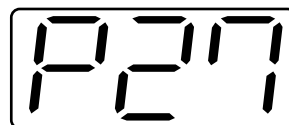
- 7** The (+) and (-) keys will be used to select the 12-digit IP address in blocks of 3 digits each: First, enter the appropriate 3 digits for the first block and then press the Enter key. Repeat this same procedure for the 3 remaining blocks of the address (4 blocks in all). Once the Enter key is pressed for the final 3-digit block, the display will flash twice and the IP address will be registered.



- 8** Use the (+) and (-) keys to select "26" and then press the Enter key. The display will change to "P26" (the Subnet Mask setting). Enter the 12-digit Subnet Mask using the same procedure that you did for entering the IP address.



- 9** Use the (+) and (-) keys to select "27" and then press the Enter key. The display will change to "P27" (the Gateway address setting). Enter the 12-digit Gateway address using the same procedure that you did for entering the IP address.



- 10** Once you are finished making all of the network settings, press the Printer key. The machine will switch back to the copier mode.

# 3. Troubleshooting

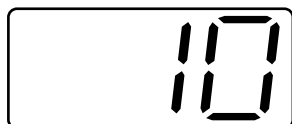
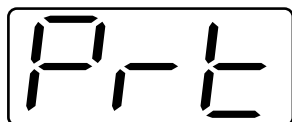
## 3-1 Canceling printing

Perform the following procedure when you want to stop printing or you want to clear data.

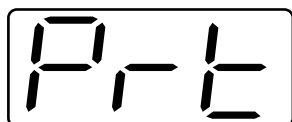
### IMPORTANT!

- By performing this operation you will be canceling ALL print jobs that are currently waiting in the printer's memory to be printed.
- Always cancel the print job at your computer first. If the print job is not canceled in your computer, the data will be sent once again to the printer.

- 1** Press the Printer key. The machine will switch to the printer mode.



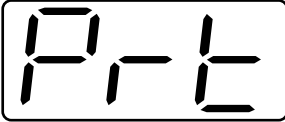
- 2** Press the Stop/Reset key. Printing will be canceled.



### 3. Troubleshooting

## 3-2 When an error code or error messages appears...

If an error code appear on the operation panel, first check the following tables for cause of the trouble and then perform the corresponding procedure. For more detailed information, refer to the Instruction Handbook for your copier as well as the Instruction Handbook for any optional equipment that is installed in your machine.



#### Error Indications in this printer

If "PrE" is displayed and the Memory Overflow/Data Error indicator flashes while the machine is in the copier mode, an error has occurred with the printer functions of this machine. Press the Printer key and check the cause of the error. Refer to the following tables for the corresponding error code and appropriate correction procedure.

Error code	Procedure
E01	A paper jam has occurred. Remove the jammed paper.
E02	The drawer has run out of paper or a paper jam has occurred. Add paper or remove the jammed paper, as appropriate.
E03	One or both drawers are not set properly in the printer. Insert both drawers securely.
E04	The size of paper selected for printing does not match the size of paper in the drawer. Replace the paper in the drawer with that of the correct size. * If you want to force-print onto the current size of paper, press the Start [GO] key. If you want to switch to and print from a different drawer, press the Paper Select key until the desired drawer is selected. If you want to cancel the printing operation completely, press the Stop/Reset key.
E05	The drawer has run out of paper. Add paper.
E06	One of the covers is open. Close the covers securely.
E07	Differ from actual size. Check drawer sizesetting.
E25	The amount of paper stacked in the Inner tray has exceeded the acceptable capacity. Remove all paper from the Inner tray and then press the Start [GO] key to continue printing. * If you want to cancel the printing operation completely, press the Stop/Reset key.
E30	Trouble has occurred within the printer. Contact your service representative or an authorized service center.

Error code	Procedure
E60	A read- or write-error has occurred on the RAM disk. Press the Start [GO] key to erase the error indication.
E70	A read- or write-error has occurred in the Memory Card. Press the Start [GO] key to erase the error indication.
E71	The Memory Card was removed during operation under the menu for printer-related settings. Reinsert the Memory Card. *BE SURE to turn the main switch OFF (O) BEFORE inserting the Memory Card.
E72	The Memory Card could not be detected during an operation in which the printer was reading data from that card. Reinsert the Memory Card. *BE SURE to turn the main switch OFF (O) BEFORE inserting the Memory Card.
E73	Initialization of the Memory Card currently inserted is necessary.
E80	A data overrun error has occurred due to insufficient memory. <ul style="list-style-type: none"> <li>• If you want to force-continue the print job, press the Start [GO] key. If you want to cancel the printing operation completely, press the Stop/Reset key.</li> <li>• If "Auto Continue" (menu: P74) is turned "On" (setting: 1), the printing operation will be restarted automatically after the amount of time specified there.</li> <li>• Once this error message is displayed, "Page Protect" (menu: P42) will be turned "On" (setting: 1) automatically.</li> </ul>
E82	The current print job could not be completed due to insufficient memory in the printer. <ul style="list-style-type: none"> <li>• If you are using a RAM disk, reduce the size of the RAM disk. If this error occurs often, it is recommended that you install additional memory into the printer. For more detailed information on adding memory, contact your service representative or an authorized service center.</li> <li>• If you want to force-continue the print job, press the Start [GO] key. The data that has already been processed will be printed out and the remaining portion of the print job will be printed onto the following page.</li> <li>• If "Auto Continue" (menu: P74) is turned "On" (setting: 1), the printing operation will be restarted automatically after the amount of time specified there.</li> </ul>
E83	The selected interface is currently in use. Wait for a while and then attempt the operation again.
EF1	An error has been detected during operation. Turn the main switch to the printer OFF (O) and then back ON ( I ) again. If the same error message remains, contact your service representative or an authorized service center.
EF2	An error has been detected during operation. Turn the main switch to the printer OFF (O) and then back ON ( I ) again. If the same error message remains, contact your service representative or an authorized service center.

### 3. Troubleshooting

#### 3-3 Basic troubleshooting chart

If you experience trouble while you are using this machine as a printer, refer to the table below to perform minor adjustments. If trouble persists, contact your service representative or an authorized service center.

\* For information in regard to general mechanical trouble with the machine, refer to the Instruction Handbook for your copier.

Problem	Check point	Procedure	Reference page
Nothing is printed out	Is the power cord loose?	Connect the power cord securely to a power source.	—
	Is the power ON ( I ) to the printer?	Turn the main switch to the printer ON ( I ).	3
	Is the printer cable appropriate and is it connected properly?	Be sure to use a compliant printer cable and make sure it is connected properly.	3
	Did you connect the printer cable AFTER you turned the power to the printer ON?	Connect the printer cable BEFORE you turn the power to the printer ON.	—
	Is the printer off-line? (Is the Data On-line indicator out?)	Perform the appropriate procedure to light the Data On-line indicator and put the printer on-line. ① Press the Printer key. The machine will switch to the printer mode. ② Press the Start [GO] key. ③ The Data On-line indicator will light.	2
Text is not printed correctly	Is the printer cable appropriate and is it connected properly?	Be sure to use a compliant printer cable and make sure it is connected properly.	3
Print out is not correct	Is the setting configuration in your computer correct?	Confirm the settings in the printer driver as well as in the software application in use.	—

# 4. Specifications

---

CPU .....	PowerPC 405 (200MHz)
Printing Speed .....	15, 18 ppm copier: 18 pages/min (A4 [8 1/2" x 11"])
Printing Resolution .....	With smoothing OFF: 600 dpi x 600 dpi With smoothing ON: interpolated 2400 dpi x 600 dpi
Maximum Printing Size .....	Legal (8 1/2" x 14"). Folio
RAM Memory Capacity .....	Installed: 8 MB Maximum: 136 MB (with an additional 128 MB of optional memory installed)
Interface .....	One parallel interface (IEEE 1284 compliant)
Installed Fonts .....	80

\* Specifications are subject to change without notice.



## Free Manuals Download Website

<http://myh66.com>

<http://usermanuals.us>

<http://www.somanuals.com>

<http://www.4manuals.cc>

<http://www.manual-lib.com>

<http://www.404manual.com>

<http://www.luxmanual.com>

<http://aubethermostatmanual.com>

Golf course search by state

<http://golfingnear.com>

Email search by domain

<http://emailbydomain.com>

Auto manuals search

<http://auto.somanuals.com>

TV manuals search

<http://tv.somanuals.com>