

Océ | User manual

Océ TDS700

The Océ TDS700 Quick navigation manual



Océ-Technologies B.V.

List of trademarks

Océ, Océ TDS700 are registered trademarks of Océ-Technologies B.V..

Adobe®, Acrobat®, Reader® and Distiller® are registered trademarks of Adobe® Systems Incorporated.

PostScript® 3™ is a registered trademark of Adobe® Systems Incorporated.

Apple®, Mac®, Mac OS® and Macintosh® are registered trademarks of Apple® Computer, Inc.

AutoCAD® and Autodesk® are registered trademarks of Autodesk® Inc.

Microsoft®, Windows®, Windows NT®, Windows 98®, Windows 2000®, Windows XP®, Windows Server 2003® are either registered trademarks or trademarks of Microsoft® Corporation in the United States and/or other countries.

Products in this publication are referred to by their general trade names. In most, if not all cases, these designations are claimed as trademarks or registered trademarks of their respective companies.

Copyright

© 2006, Océ-Technologies B.V. Venlo, The Netherlands.

All rights reserved. No part of this work may be reproduced, copied, adapted, or transmitted in any form or by any means without written permission from Océ.

Océ-Technologies B.V. makes no representation or warranties with respect to the contents hereof and specifically disclaims any implied warranties of merchantability or fitness for any particular purpose.

Further, Océ-Technologies B.V. reserves the right to revise this publication and to make changes from time to time in the content hereof without obligation to notify any person of such revision or changes.

Contents

Chapter 1

Introduction	5
Introduction to the Océ TDS700	6
Overview of the Océ TDS700 system	7
The folder	10
The Océ Double Decker (Pro)	11

Chapter 2

Walk-up user	13
The walk-up user	14
Easy printing and copying	16
Turn on and off the Océ TDS700	16
Concept of the scanner templates	22
Do a basic copy job	24
Do a basic scan-to-file job	26
Do a basic print job	28
Simple maintenance	29
Load rolls of media	29
Refill the toner	33
Solve paper jams on the printer and scanner	40

Chapter 3

CAD manager & CRD manager	41
The CAD manager	42
The CRD manager	44
Print job submission software	46
Print job submission tools that fits your needs	46
Use an Océ printer driver to send a print job	48
Use Océ Print Exec® Workgroup Basic to send a print job	49
Customise your workflow	50
The Océ TDS700 Power Logic controller: a customised and transparent workflow	50
The Océ TDS700 users	52
Software configurations	54
Be ready for the future	55
Advanced queue management	56
Increase your productivity with advanced queue management	56
Concepts of the 'Print jobs' workspace	57
Concept of the 'Scheduled jobs'	59
Concept of the 'Waiting jobs'	60

Concept of the 'Printed jobs'	61
Ease of use	62
The Océ TDS700: an intuitive system	62
Concept of the scanner templates.	64
Original types for the scanner	66
Chapter 4	
The Facility manager	69
The Facility manager	70
The Océ TDS700 key concepts	72
Manage your costs.	75
An overview of Océ Account Center	75
Customise your workflow	77
The Océ TDS700 Power Logic controller: a customised and transparent workflow	77
The Océ TDS700 users	79
Software configurations.	81
Manage productivity	82
Print job submission tools that fits your needs	82
Increase your productivity with advanced queue management	85
Chapter 5	
Network administrator.	87
The Network administrator.	88
Easy integration into your network environment	90
Configuration of the network settings	90
Password protected network settings	91
The Océ TDS700 users	91
Ease of use	94
A dedicated 'Configuration' workspace for system administrators only	94
License management in Océ License Logic	95
Appendix A	
Specifications of the Océ TDS700	97
Available documentation	98
The Océ TDS700 key concepts	102
User interface on the Océ TDS700	105
Printer operator panel	105
Scanner operator panel.	106
Specifications	109
Specifications of the Océ TDS700	109
Specifications Océ Power Logic® controller	116
Specifications Océ Scan Logic®.	119
Specifications drivers and job submission software	122
Software configurations.	124

Chapter 1

Introduction



Introduction to the Océ TDS700

Congratulations with your investment in the Océ TDS700. You made the right decision because in today's technical environments a wide format system has to please everyone. Senior managers want value for money and peace of mind. That means a flexible, low maintenance system that saves time and costs. Users want simplicity and reliability. In other words, an easy-to-use machine that fits current workflows.

The Océ TDS700 meets all these requirements. With a robust, configurable printer, the powerful Océ TDS700 Power Logic[®] controller, a choice of two scanners and a wide range of software, it fits the way you work both now and in the future.

How to use this manual

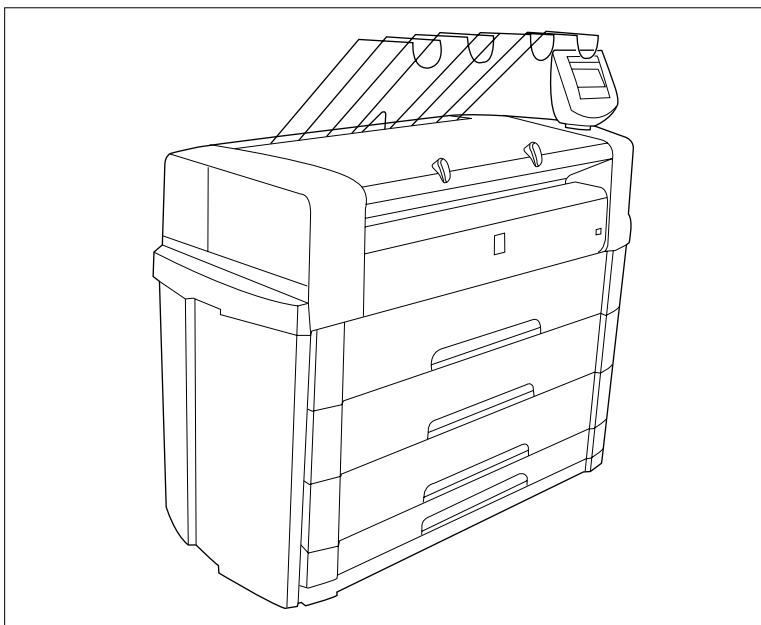
This Quick Navigation manual will guide you through the most important system and user aspects. It will address the immediate needs of the walk-up users, CAD manager, CRD manager, Facility Manager and Network Administrator. In the appendix you will find a comprehensive list with available documentation for the Océ TDS700 and the optional software and hardware solutions ([see 'Available documentation' on page 98](#)).

Overview of the Océ TDS700 system

Introduction

The Océ TDS700 is a wide format mid volume multifunctional system for printing, scanning and copying engineering documents. The Océ TDS700 offers a broad range of print, copy and scan to file functionality. The system is available in various hardware and software configurations. Depending on your needs the Océ TDS700 is available as a printer only, a printer combined with a flexible colour scanner or a printer combined with a productive scanner.

Océ TDS700 printer only configuration

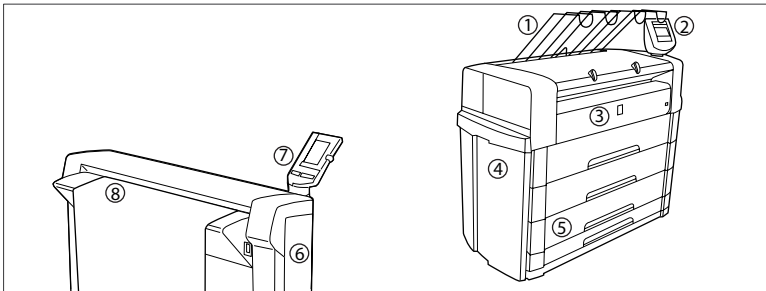


[1] Océ TDS700, 6 roll configuration with one sheetfeeder

The Océ TDS700 supports up to 6 rolls (3 roll drawers) and up to 3 sheet feeders in the following configurations. The Océ TDS700 can combine up to 4 rolls (maximum of 2 rolls per drawer) with a maximum of 3 sheet feeders, 5 or 6 rolls can be combined with 1 sheet feeder. The default configuration includes 1 drawer with 2 rolls.

Paper roll drawer(s)	Number of rolls	Possible combination with sheetfeeder(s)
1	2	0, 1, 2 or 3
2	3	0, 1, 2 or 3
2	4	0, 1, 2 or 3
3	5	0 or 1
3	6	0 or 1

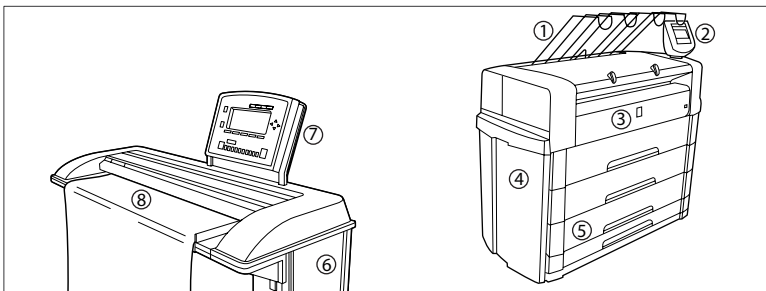
Océ TDS700 configuration with the flexible colour scanner



[2] Océ TDS700 components

Nr	Component
1	Integrated receiving tray
2	Printer operator panel
3	Manual feed section
4	Location of the integrated controller
5	Roll drawers or cut sheet feeders
6	Flexible colour scanner
7	Scanner operator panel
8	Scanner feed table

Océ TDS700 configuration with the productive black and white scanner



[3] Océ TDS700 components

Nr	Component
1	Integrated receiving tray
2	Printer operator panel
3	Manual feed section
4	Location of the integrated controller
5	Roll drawers or cut sheet feeders
6	Productive black and white scanner
7	Scanner operator panel
8	Scanner feed table

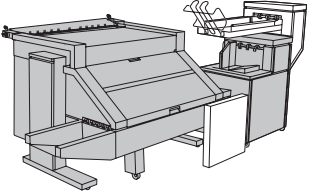
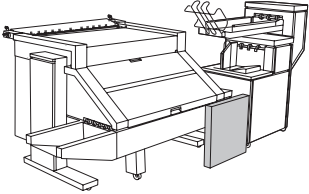
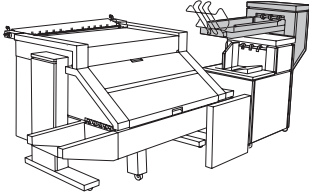
The folder

Introduction

The Océ TDS700 can have a folder to fold your output. The output is folded according to the selected folding width and length with a drawing method. You can only fold paper. Polyester, transparent or vellum media cannot be folded. When you attempt to fold polyester, transparent or vellum media, a media jam will occur. The Océ TDS700 can be configured with the following finishing options.

Finishing options of the folder

[4] Océ TDS700 finishing options

Component	Function	Position of the component
Folder	Folds and stacks the output	 <p>[4] Folder</p>
Reinforcement unit	The optional reinforcement unit adds reinforcement strips to folded output	 <p>[5] Reinforcement unit</p>
Belt unit	The optional belt unit transports the folded output and provides high capacity stacking of the folded output	 <p>[6] Belt unit</p>

The Océ Double Decker (Pro)

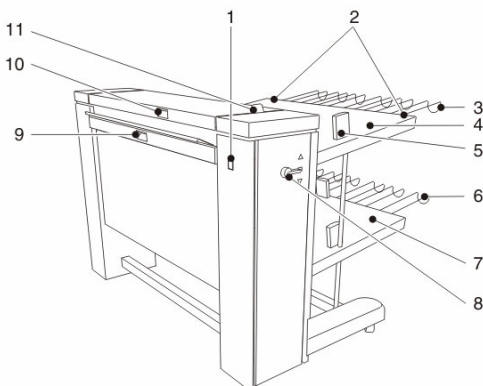
Introduction

The Océ Double Decker is an optional finishing module for the Océ TDS700 to stack high-volume output in an efficient and productive manner. The Océ Double Decker Pro is the advanced version of the Océ Double Decker with additional functionality that can be used through the Océ Power Logic® controller.

The Océ Double Decker (Pro) offers you the following functions.

- Manual tray selection
- Optimised separation methods (Océ Double Decker Pro only)
- Optimised tray selection methods (Océ Double Decker Pro only)
- Error recovery support (Océ Double Decker Pro only)

Illustration



[7] Océ Double decker (Pro)

The function of the components

The following table displays the components and their function.

[5] The components of the Océ Double decker (Pro)

(1 – 2)

Nr.	Component	Function
1	On / off button	Turn the Océ Double decker (Pro) on and off
2	Upper tray handles	Move the Océ Double decker (Pro)
3	Upper tray extension	Increase the size of the media trays for large media

[5] The components of the Océ Double decker (Pro)

(2 – 2)

Nr.	Component	Function
4	Upper tray	Collect the media output
5	Alignment guide	Improve the stack accuracy
6	Lower tray extension	Increase the size of the media trays for large media
7	Lower tray	Collect the media output
8	Tray selection lever	Select the tray manually
9	Side cover handle	Access the inside to remove jammed media
10	Top cover handle	Access the inside to remove jammed media
11	Top cover lever	Close the top cover. The top cover lever only appears when the top cover is open.

Chapter 2

Walk-up user



The walk-up user

I want a printer that is easy to use



[8] The walk-up user

The Océ TDS700 makes life easy for you because it outputs documents fast and on time. When a job is ready for printing, the system reacts instantly and Océ Advanced Queue Management allows you to get your prints when you want them. No waiting, no searching, no waste.

The Océ printer drivers and Océ Print Exec® Workgroup Basic allow you to submit print jobs without leaving your desk.

The smart user interface guides you through the system and user-specific settings can be saved in a template for easy access later. These easy-to-use copy and scan templates mean you do not have to waste time getting the settings right.

Focus points walk-up user

Main point of interest	More information about the topic
Ease of use	<ul style="list-style-type: none">■ Ease printing and copying■ Simple maintenance

Easy printing and copying

Turn on and off the Océ TDS700



Introduction

You can separately turn on and off the Océ TDS700 printer and the Océ TDS700 scanner. The Océ TDS700 Power Logic® controller is incorporated in the printer and is switched on and off separately from the printer. You do not have to use a specific order in which you turn on and off the Océ TDS700 printer and scanner.

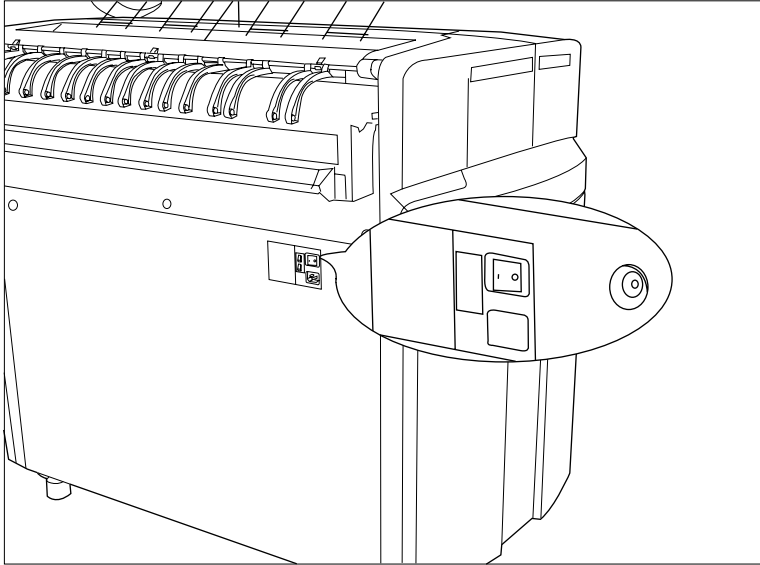
[7] Power On / off options

(1 – 2)

Part	Description
Productive scanner / flexible scanner	<ul style="list-style-type: none"><li data-bbox="391 642 1115 706">■ Use the On/off switch at the front underneath the original feed table on the productive scanner to turn on and off the scanner.<li data-bbox="391 706 1115 802">■ Use the On/Off switch at the front underneath the original feed table on the flexible scanner to turn on and off the scanner.

Part	Description
Printer	<p>Use the On/off switch at the rear of the printer to turn on and off power to the printer. When you are facing the front side of the printer, the power switch is located at the left hand side at the rear of the printer.</p> <p> Note: <i>With this switch you also turn on and off the power for the climate control function of the printer. Keep the power turned on to be able to use the Climate control function. Configure the Sleep mode setting in the Power logic controller application to ensure minimal power consumption when the system switches to sleep mode.</i></p>
Océ TDS700 Power Logic [®] controller	<p>Use the On/off key at the front of the printer to turn on and off the controller that is located inside the printer.</p> <p>When the controller is on: Press the key only once and wait 30-60 seconds. The green LED of the key turns off to indicate that the controller is turned off. Keep the key pressed for 4 seconds to immediately turn off the controller.</p> <p>When the controller is off: Press the key only once to start up the controller. The green LED is turned on when you press the key.</p> <p>You can also shut down the controller in the Océ TDS700 Power Logic[®] controller application. Access the System menu in the top toolbar to do so.</p> <p> Note: <i>Use the power key at the front of the controller when the controller is not placed in the printer but in a separate console.</i></p>

Illustration



[9] On/off switch at the rear of the printer

Turn on and off the printer

1. Set the On/off switch at the rear of the printer to position '1'. The green LED turns on. The message Ready to print appears on the printer operator panel.



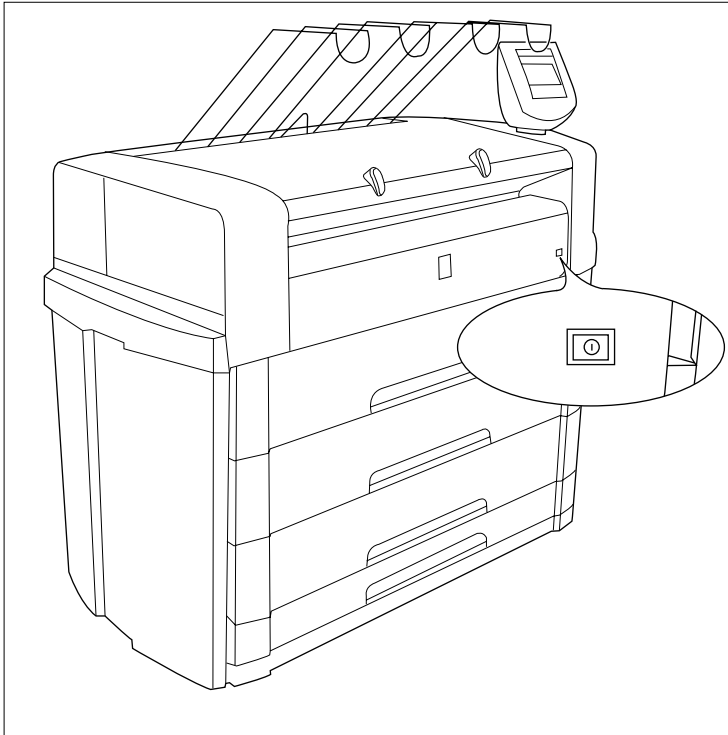
Note: *You must separately switch on the controller that is located inside the printer.*

2. Set the On/off switch at the rear of the printer to position '0'. This action only turns off the printer.



Note: *Before you turn off the printer, make sure that the printer is not printing a job.*

Illustration



[10] On/off button on the incorporated Océ TDS700 Power Logic® controller

Turn on and off the controller

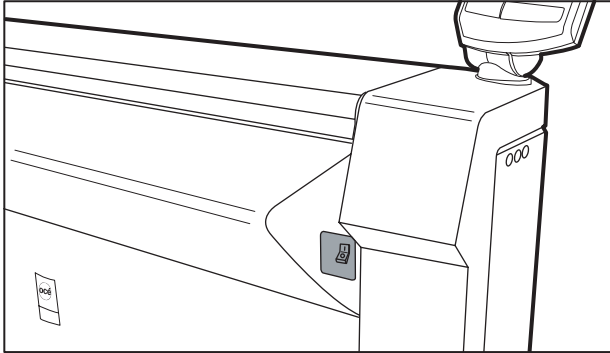
1. The printer can be in standby mode, in sleep mode or it can be turned off completely. Press the On/off key at the front of the printer to turn on the controller inside the printer. The green LED turns on.



Note: *This action only turns on the controller. Separately from this action, you can turn on the printer and scanner.*

2. Press the On/off key at the front of the printer to turn off the controller inside the printer. The green LED turns off 30-60 seconds after you have pressed the key.

Illustration

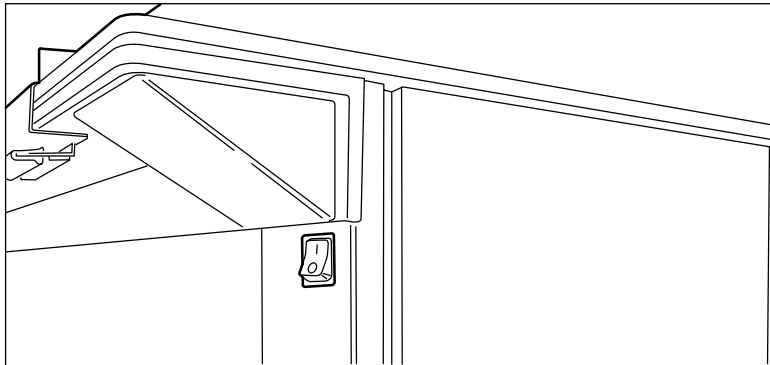


[11] On/off switch on the flexible scanner

Turn on and off the flexible scanner

1. Set the On off switch to position '1'. The green LED turns on. The message Ready to scan' appears.
2. Set the On/off switch to position '0'.

Illustration

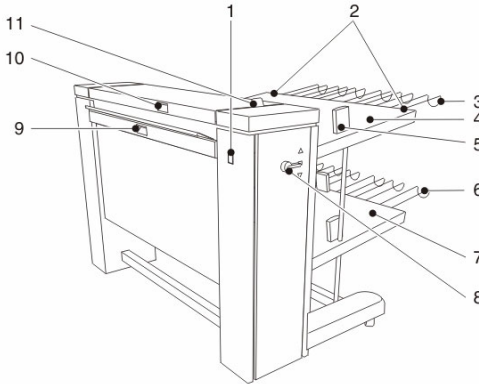


[12] On/off switch on the productive scanner

Turn on and off the productive scanner

1. Set the On/off switch at the front of the scanner to position '1'. The green LED turns on. The message Ready to scan' appears.
2. Set the On/off switch at the front of the scanner to position '0'.

Illustration



[13] The Océ Double decker (Pro)

Turn on and off the Océ Double Decker (Pro)

1. Set the On/off switch (number 1, see illustration above) to position '1'. The green LED turns on. The system is now active.
2. Set the On/off switch to position '0' to turn the system off again.

Turn on and off the folder

1. When you stand in front of the printer, the folder is situated behind the printer. The power switch of the folder is located at the left hand side. Set the On/off switch at the left side of the folder to position '1'. The green LED turns on. The folder is instantly ready.
2. Set the On/off switch at the left side of the folder to position '0'.



Note: *The folder has its own power source and does not depend on the printer's power supply.*

Concept of the scanner templates

'Templates' on the flexible scanner

With a template you can pre-define the settings you need for a copy or scan job. This way you can store a number of settings that are often used. The pre-defined settings are saved in a template. The template can be selected on the scanner operator panel. The scanner operator panel of the flexible scanner offers 5 copy and 5 scan-to-file templates.

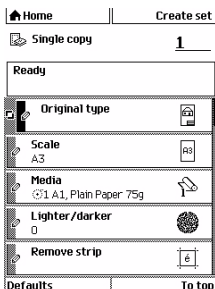
For each template you can define the following items. The template definition is managed by a dedicated user, for example the repro operator in the Océ TDS700 Power Logic® controller application.

[8] Template details

Name	Description
'Template name'	Give each template a unique name.
'Template description'	Give additional information about the template and / or its settings.
'Top 5 settings'	Allows you to display the settings in the order that you prefer. When you can place the settings you use most often at the top of the list you avoid the need to scroll through the list of settings.
Individual settings	Allows you to set the values for each setting, used in the template

Illustration

The illustration below gives an example of a copy template on the scanner operator panel of the flexible scanner. You can see the title and the top 5 settings in the illustration.



[14] Available template on the scanner operator panel of the flexible scanner

'Templates' on the productive scanner

With a template you can pre-define the settings you need for a copy or scan job. You only need to set the job settings once and you can store the settings in a template that is presented on the scanner operator panel. You can re-use the template for each next job without the need to redefine all the settings every time. The scanner operator panel of the productive scanner offers 4 templates for scan-to-file or copy jobs. The scanner operator panel also displays a template with the settings you used last. This Last used template is only visible on the local scanner operator panel. It cannot be displayed in the 'Templates' area of the Océ TDS700 Power Logic® controller application.

The templates function supports the green key principle: the user only needs to select a template and start a job with the required settings instead of having to define all the settings manually for every job.

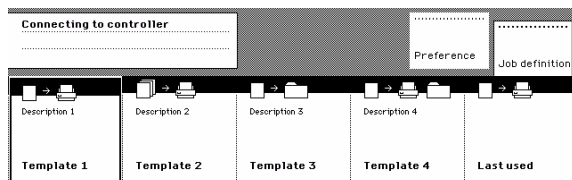
For each template you can define the following items. The template definition is managed by a dedicated user, for example the repro operator in the Océ TDS700 Power Logic® controller application.

[9] Template details

Name	Description
'Template name'	Give each template a unique name.
'Template description'	Give additional information about the template and / or its settings.
'File' mode	Select one of three output types for each template.
'Custom Card'	Allows you to put together on one card the 5 settings that you require, in the order that you prefer.
'Original', 'Print' and 'File' cards	Define the settings in the cards.

Illustration

The illustration below shows the available copy and scan-to-file templates on the scanner operator panel of the productive scanner.



[15] Available templates on the scanner operator panel of the productive scanner

Do a basic copy job

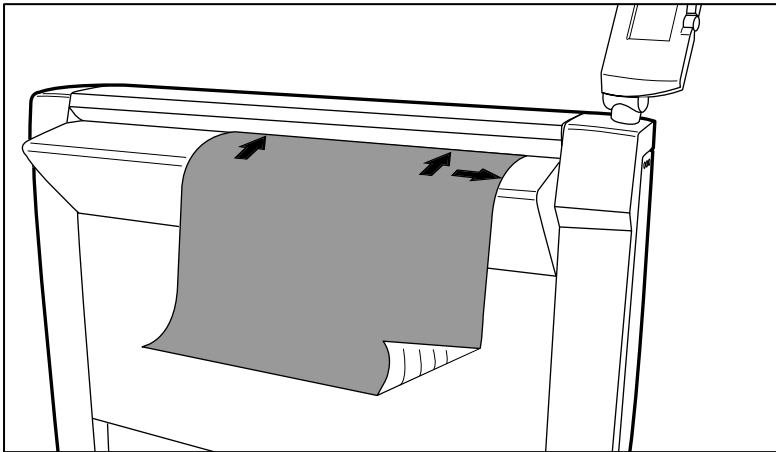
Introduction

The main steps of a basic copy job consists of the following steps.

- Place your original face-down, right aligned along the original guide. Keep the legend at your right hand side.
- Press the green start key.

How to copy on the flexible scanner

1. Place the original face down and right aligned according to the illustration below. The scanner takes the original.



[16] Place the original face down and right aligned

2. Press the green start key. The scanner operator panel shows the copy job number and the status of the copy job.



Note: *You can copy faster when you feed the original in landscape direction.*

Result

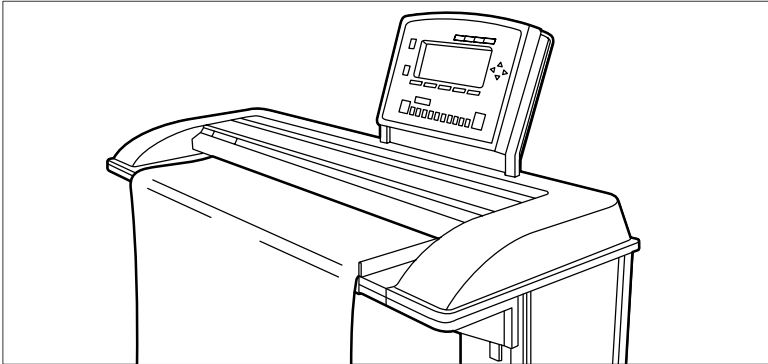
The scanner makes a copy. The copy is sent to the Océ TDS700 printer and will be printed immediately or stored in the 'Waiting jobs' workspace of the Océ TDS700 Power Logic® controller application.

How to copy on the productive scanner

1. Place your original face-down, right aligned along the original guide. Keep the legend at your right hand side.
2. Feed the original.



Note: *When you feed the original, keep it in place until it is transported (about 1 cm) into the machine.*



3. Press the green start key.

Result

The scanner makes a copy. The copy is sent to the Océ TDS700 printer and will be printed immediately or stored in the 'Waiting jobs' workspace of the Océ TDS700 Power Logic® controller application.

Do a basic scan-to-file job

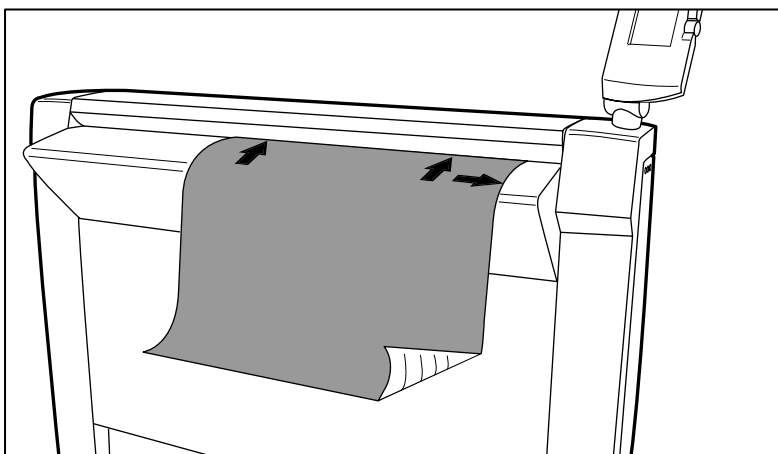
Introduction

The main steps of a basic scan-to-file job consists of the following steps.

- Feed the original.
- Indicate you want to scan-to-file rather than make a copy (select a scan-to-file template).
- Press the green start key.

How to scan-to-file on the flexible scanner

1. Place the original face down and right aligned according to the illustration below. The scanner takes the original.



[18] Place the original face down and right aligned

2. Select 'Scan-to-file' with the upper-left softkey.
3. Press the green start key.

The scanner operator panel shows the scan-to-file job number and the status of the job.



Note: *You can scan faster when you feed the original in landscape direction.*

Result

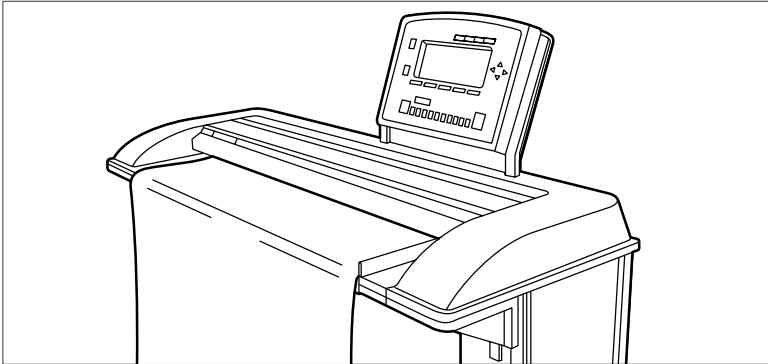
The scanner scans the original and sends the scanned file to the default scan-to-file destination.

How to scan-to-file on the productive scanner

1. Place your original face-down, right aligned along the original guide. Keep the legend at your right hand side.
2. Feed the original.



Note: *When you feed the original, keep it in place until it is transported (about 1 cm) into the machine.*



3. Select the appropriate scanner template.
Make sure the 'Output' mode is set to 'File' or 'Copy&file'.
4. Press the green start key.

Result

The scanner scans the original and the sends the scanned file to the default scan-to-file destination.

Do a basic print job

How to print a drawing on the Océ TDS700

1. Create the document in your application.
2. Select your printer.
3. Define the document format for the selected printer by defining the Page size. In the Page size list you can select a standard Page size, or select a Custom size previously registered.
4. Display the application preview if the function is available.



Note: *The preview only takes into account the settings available in the application. It does not display the driver transformation settings ('Mirror', 'Rotation', 'Alignment', 'Shift'...).*

5. Select File - Print.
6. Send the document directly for printing.
Instead, you can also open 'Properties' to access the printer settings. Then you can modify the driver settings, attach a user identification to the output using the accounting option, define the number of copies, set the layout and image quality before printing.

Result

The document is printed on the Océ TDS700.

Simple maintenance

Load rolls of media

Introduction

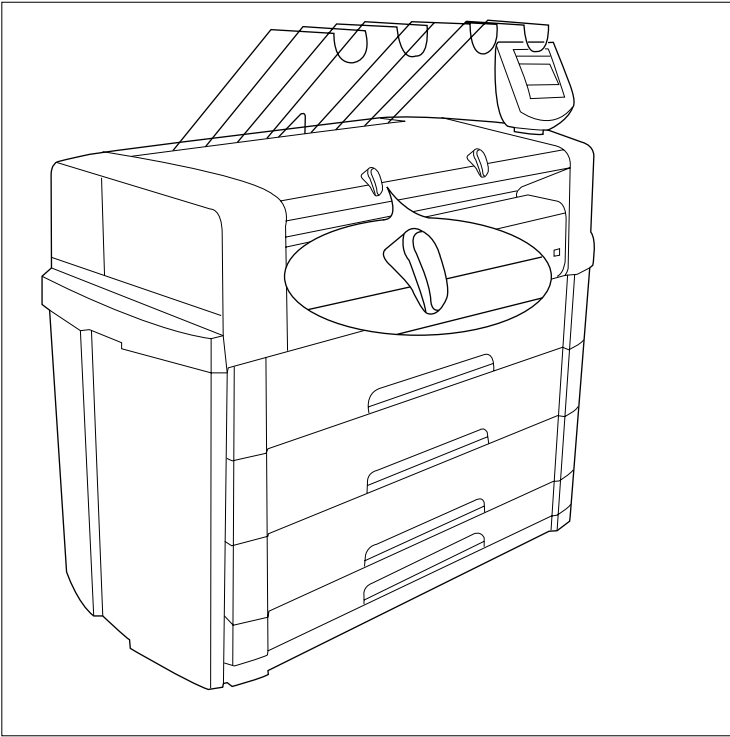
When a roll is empty during a print job, a 'Roll empty' indication is displayed on the printer operator panel and on the status bar of the Océ TDS700 Power Logic® controller application. You then have to load a new roll of media.

If you load new print media, you must tell the system the size of the material and the type of print material (paper, transparent, or polyester).

Currently the following media are supported on the Océ TDS700.

- Plain paper (Red label plus) 64g/m²
- Plain paper (Red label plus) 75g/m²
- Plain paper (Red label) 110g/m²
- Transparent paper 90-95g/m²
- Polyester film (CPRF) 3.5mil
- Polyester film 4.5mil
- Vellum (9020/9022) 20lbs.

When you load the media, you can place one roll at a time conveniently on top of the printer. Two protruding roll retainers prevent the roll from dropping off the printer.



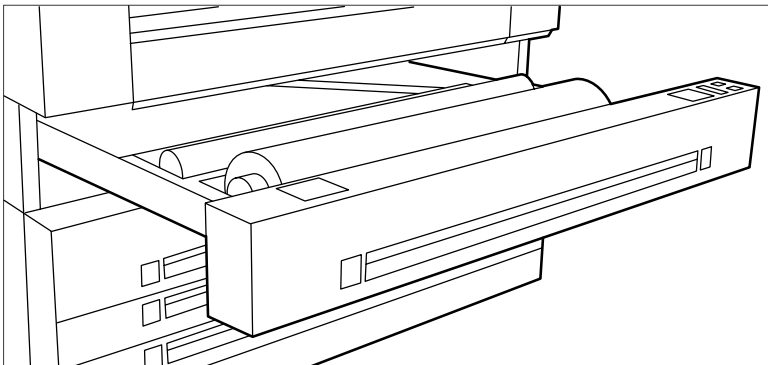
[20] Roll retainer

Load the media

1. Open the appropriate roll drawer.



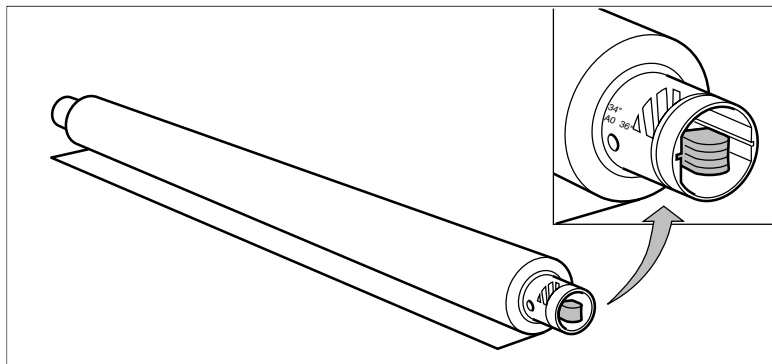
Note: Do not open more than one roll drawer at a time to prevent overbalance of the printer.



[21] Open the drawer

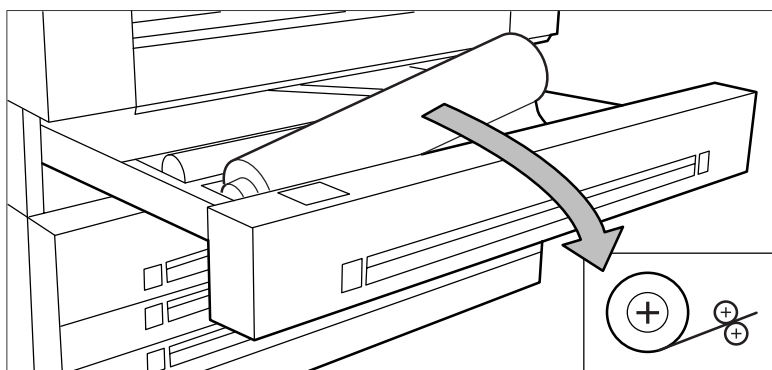
2. If necessary remove any scrap material from the paper roll drawer.

3. Remove the roll holder from the paper roll drawer.
4. Press the green knob inside the roll holder (on the right side) to release the locking mechanism see figure below and remove the core from the holder.



[22] Press the knob

5. Slide the roll holder in the new roll of material while pressing the green knob.
6. Align the roll with the appropriate size indicator on the roll holder and release the locking mechanism. This line has to be completely visible.
7. Use both hands to place the holder in the roll drawer.

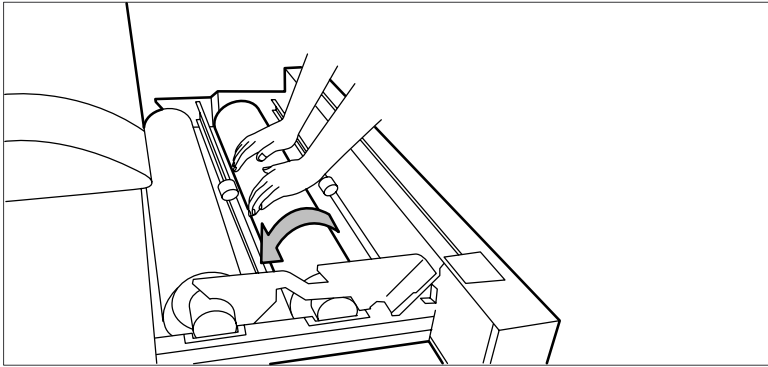


[23] Position the media

8. Use both hands to slide the material under the metal paper guide until it makes contact, as shown in the above figure.

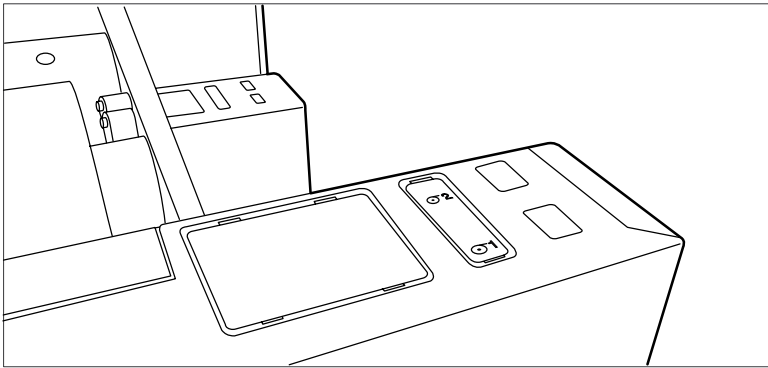


Note: When the media is particularly curled it may be somewhat difficult to slide the material under the paper guide. In that case you can slightly fold back the top few centimetres (no more than 10) of the media to facilitate the load process.



[24] Use both hands

9. Press the appropriate green key inside the paper roll drawer. The material will automatically be fed into the machine. Also refer to the sticker inside the drawer.



[25] Buttons for feeding and cutting the paper

10. Press the green button a second time to cut off the material protruding from the paper path.
11. Remove the scrap material.
12. Close the roll drawer.

Refill the toner

Introduction

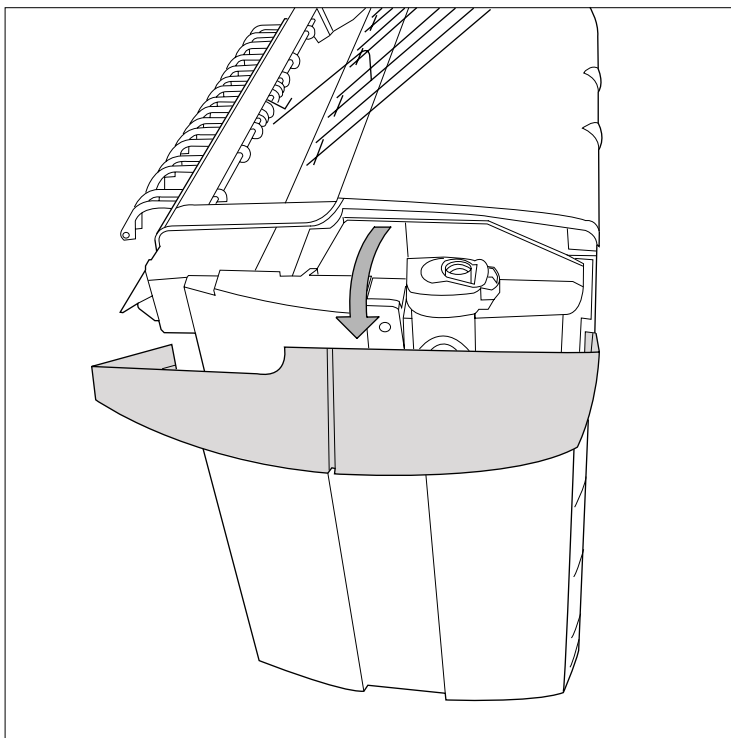
If the 'Refill toner' message appears on the printer panel, you must refill the toner immediately. Use only 1 bottle of Océ TDS700 toner each time the Océ TDS700 indicates the toner must be refilled.



Note: *Every second time you have refilled the toner, you must also replace the waste toner container.*

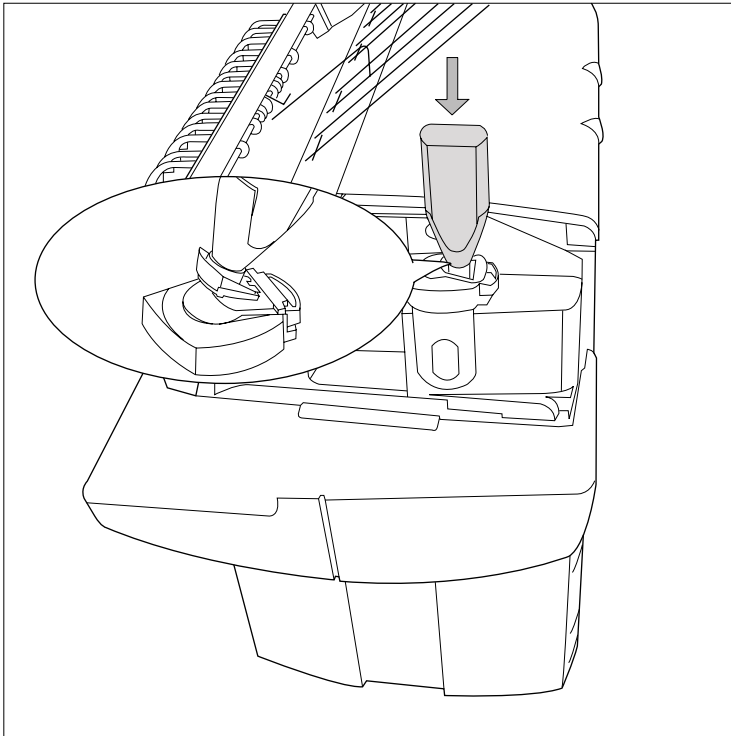
Refill the toner

1. You can leave the printer turned on when you refill the toner.
2. Open the left-hand cover.



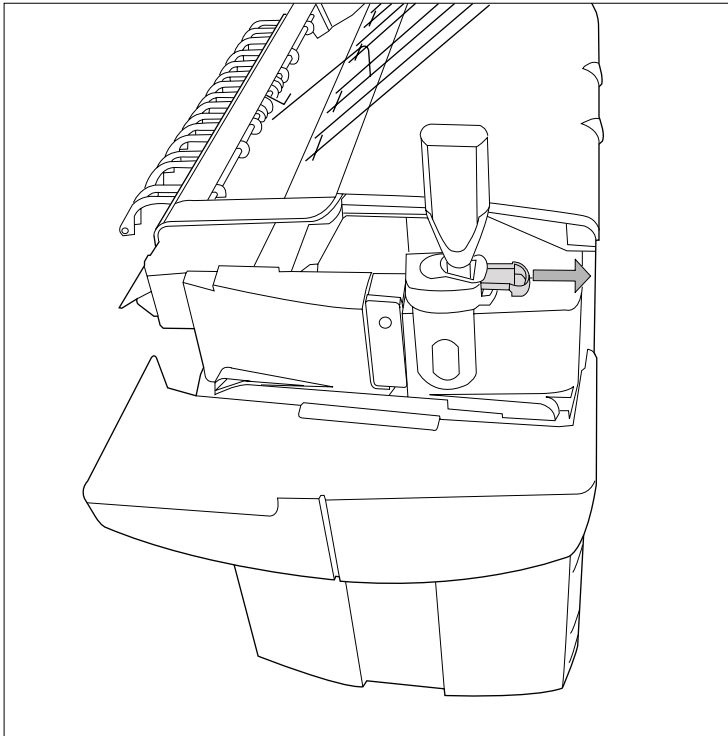
[26] Open the side cover

3. Shake the toner bottle thoroughly. Leave the bottle closed.
4. Place the bottle on the refill opening of the toner unit.

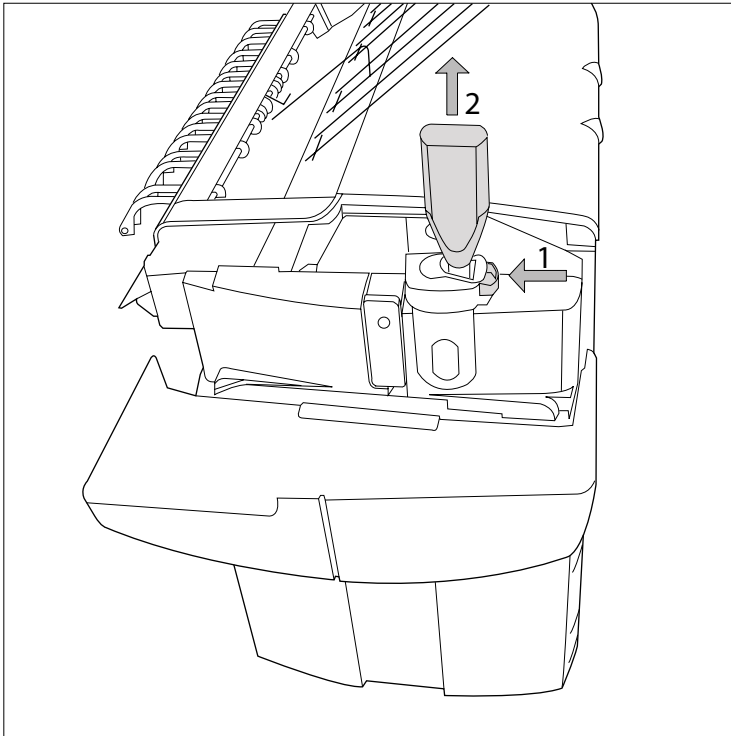


[27] Place the bottle

5. Pull the slider towards you to open both the bottle and the refill opening of the toner unit.



- [28] Open the slider of the toner refill opening
6. Tap the toner bottle gently (sideways) to let the toner flow from the bottle.
 7. When the toner bottle is empty, return the slider of the toner unit to the original position to close the refill opening and the toner bottle. You can now remove the toner bottle from the opening.



[29] Close the slider and remove the bottle

Replace the waste toner container

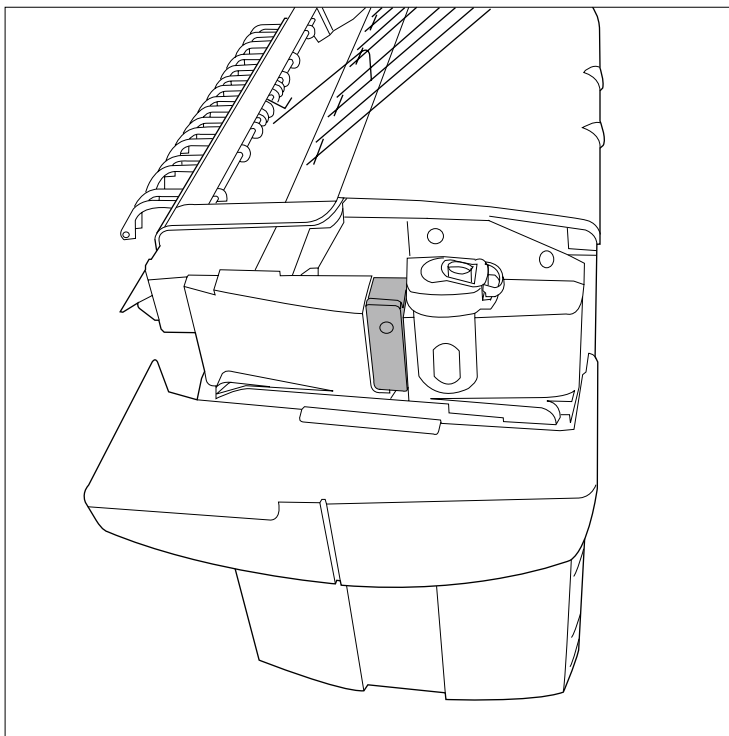


Attention: Replace the waste toner container every second time you refill the toner.

1. Access the location of the waste toner container behind the toner refill unit.

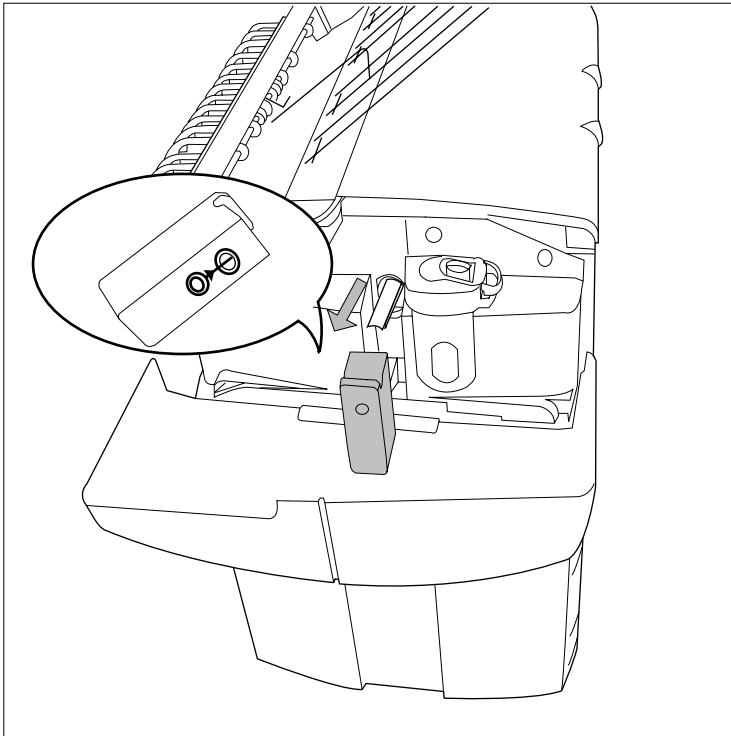


Note: *It is advised to change the waste toner container when the printer is not printing a job.*



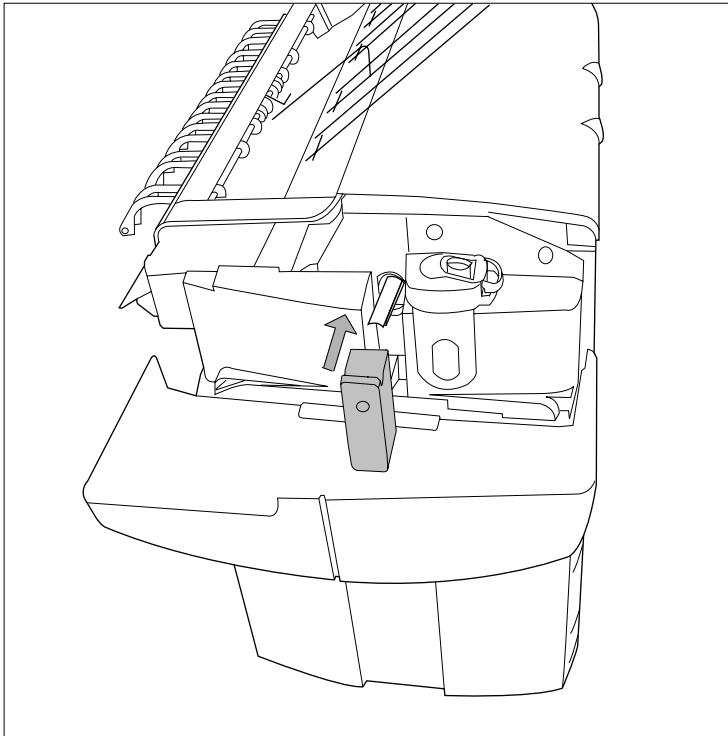
[30] Location of the waste toner container

2. Remove the waste toner container carefully from the waste toner tube and place the cap provided with the container on the opening.



[31] Remove the waste toner container

3. Place a new waste toner container over the waste toner tube and push it into place. Make sure the container is fixed tightly.



- [32] Place a new waste toner container
4. Close the left-hand cover to make the system available again for normal use.

Solve paper jams on the printer and scanner

Introduction

When a paper jam occurs on the printer, the display indicates the following information.

- The nature of the problem.
- The location of the problem.
- The solution to the problem.

Paper jams on the printer

An attention light will flash above the printer operator panel when operator attention is required.

A buzzer can be activated to alert the operator whenever operator intervention is needed.

Normally the paper moves through the system without problems. On the graphic display a cover or door indicates in which part of the system the paper has stopped. The display guides you through a sequence of steps to correct the problem. If a jam occurs in more than one location, the display will continue to instruct you until all jammed paper has been removed. If you corrected the error the display gives instruction how to continue the job.

Stickers on some parts of the system indicate which green handles, green knobs, green bars and covers, etc. you have to lift, press or open to remove any jammed paper.

Paper jams on the scanner

When a paper jam occurs on the scanner a message will appear on the scanner operator panel of the productive black and white scanner and a red light will start to flash at the flexible colour scanner. You can open the top cover and remove the jammed original. For more instructions please refer to the Océ TDS700 Reference manual.

Chapter 3

CAD manager & CRD manager



The CAD manager

I want a printer that is ready when I need it



[33] The CAD manager

The Océ TDS700 makes life easy for you because it outputs documents fast and on time. When a job is ready for printing, the system reacts instantly and Océ Advanced Queue Management allows users to get their prints when they want them. No waiting, no searching, no waste.

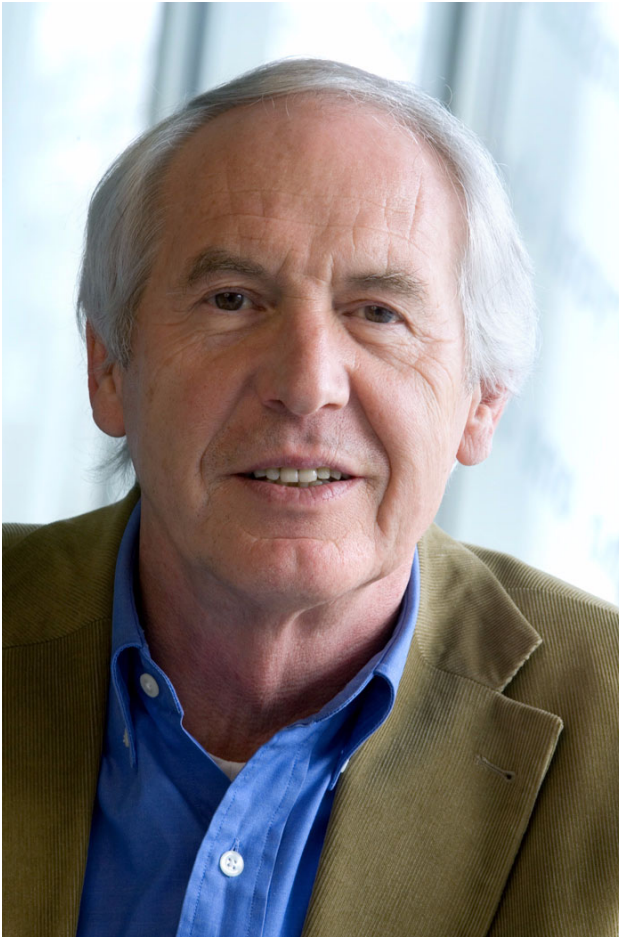
The Océ TDS700 also keeps your CAD department productive. Easy-to-use copy and scan templates mean engineers do not have to waste time getting the settings right. Océ drivers and Océ Print Exec® Workgroup Basic allow users to submit jobs without leaving their desks.

Focus points CAD manager

Main point of interest	More information about the topic
Productivity	<ul style="list-style-type: none">■ Print job submission software to fit your needs■ Customisable workflow■ Advanced Queue management■ Ease of use

The CRD manager

I want a printer that is easy to use



[34] The CRD manager

With the Océ TDS700, you can offer a high level of service to internal customers. Océ Advanced Queue Management allows you to schedule and reorganise jobs as priorities change. Océ Image Logic® ensures right-first-time copying and scanning. And different access modes are password protected so no one can disrupt your workflow. Central repro personnel will have no problems with the Océ TDS700 either. The smart user interface guides people through the system and user-specific settings can be saved for easy access later. The system can be expanded with up to six rolls, a sheet feeder and an inline folder offering a flexible growth path for the future. The Océ TDS700 scanner is also ready for future services like colour scan to archive.

Focus points CRD manager

Main point of interest	More information about the topic
Productivity	<ul style="list-style-type: none">■ Print job submission software to fit your needs■ Customisable workflow■ Advanced Queue management■ Ease of use

Print job submission software

Print job submission tools that fits your needs

The Océ TDS700 offers a wide range of print job submission tools. Easy to use printer drivers that enable your walk-up users to send print jobs to the Océ TDS700. But also advanced software solutions such as Océ Print Exec® Workgroup Basic or Océ Repro Desk which enable a dedicated key operator to create special print jobs, to monitor the printer status to build special print jobs by combining different files and to balance the workload of the printer. You will increase the Océ TDS700 productivity by offering your internal customers a print job tool that fits their needs.

Customer	Print job submission tool	Description
Walk-up user	Océ Windows® Printer driver	Use the Océ Windows Printer Driver (WPD) to print files created with a Windows application. The Océ TDS700 Windows® Printer driver translates the data into HP-GL/2 (graphics language designed by Hewlett-Packard).
Walk-up user	Océ Windows® Raster driver	Use the Océ Windows Raster Driver (WRD) to convert your document into HP-RTL data, the raster transfer language designed by Hewlett-Packard.
Walk-up user	Océ HDI driver (AutoCAD)	Use the Océ HDI driver to print files created with the AutoCAD 2000 application family. The main purpose of the HDI driver is to convert AutoCAD drawings into a set of HP-GL/2 (and RTL) commands. The Océ HDI driver ensures that HP-GL/2 commands generated can be interpreted by the Océ TDS700.
Walk-up user	Océ PostScript3® Printer driver (optional software)	Use the Océ PostScript3® Printer driver to print files created with a wide range of software applications. The PostScript3® driver is based on Adobe® technology and facilitates the printing and creation of Adobe PostScript3® files. It is compatible with the Adobe PostScript3®/PDF option of the Océ Power Logic® Controller.
Dedicated key operator	Océ Print Exec® LT	Use Océ Print Exec® LT for set printing, saving you time and trouble in creating sets of plots or drawings and sending them to any Océ printer.

Customer	Print job submission tool	Description
Dedicated key operator	Océ Print Exec® Workgroup Basic	Use this web-enabled application to create and submit print jobs from your web browser. Whether you are working in an architectural, engineering or manufacturing environment, or running an in-house central printroom, Océ Print Exec® Workgroup Basic will streamline your professional printing work, save you time and support your business processes.
Dedicated key operator	Océ Print Exec® Department	Use Océ Print Exec® Department as a print management solution in a mixed printer environment: Océ and non-Océ, colour and monochrome, wide and small format. Océ Print Exec® Department provides tools to print from applications and to submit sets of documents in an efficient way to the most economical and optimal printer. Océ Print Exec® Department optimizes your business print process and makes printing as easy as can be.
<ul style="list-style-type: none"> ■ Dedicated key operator ■ End user 	Océ Repro Desk	<ul style="list-style-type: none"> ■ Use the Océ Repro Desk Server software to handle receive, process and print your jobs to an Océ 9800, 9700, 9400, 9300 or an Océ TDS800, TDS700, TDS600, TDS400 printer. ■ Use the remote Océ Repro Desk Client software to allow end users to process files, predetermine output options, preview documents, complete a work order form, and digitally submit the job for printing.

Please refer to the related user documentation and on-line help files to get more detailed information about the products mentioned in the above table ([see 'Available documentation' on page 98](#)).

Use an Océ printer driver to send a print job

Before you begin

Make sure that you previously installed the driver and defined the default Device settings.



Note: *Check that the printer measurements units are the same in the application and in the driver.*

How to print a drawing on the Océ TDS700

1. Create the document in your application.
2. Select File - Page setup or File - Print setup.
3. Select your printer.
4. Define the document format for the selected printer by defining the Page size. In the Page size list you can select a standard Page size, or select a Custom size previously registered.
5. Display the application preview if the function is available.



Note: *The preview only takes into account the settings available in the application. It does not display the driver transformation settings ('Mirror', 'Rotation', 'Alignment', 'Shift'...).*

6. Select File - Print.
7. Send the document directly for printing.
Instead, you can also open 'Properties' to access the printer settings. Then you can modify the driver settings, attach a user identification to the output using the accounting option, define the number of copies, set the layout and image quality before printing.

Use Océ Print Exec® Workgroup Basic to send a print job

Introduction

Océ Print Exec® Workgroup Basic is a print job submission application that allows you to send print jobs to the Océ TDS700 through your web browser. You do not need to make unnecessary trips to the printer, because you can preview your files, check the printer status and define your media choice remotely.



Note: For this application a separate Océ Print Exec® Workgroup Basic user manual is available.

When to do

Use Océ Print Exec® Workgroup Basic to do the following.

1. Select and collect the files to print (documents and drawings), in a print job. You can add a maximum of 100 documents or drawings to a print job.
2. Configure the print job.
You can set the document or drawing settings and the print job settings. You can add a banner to the print job and add a settings configuration for a print job.
3. Submit the print jobs to the 'Scheduled jobs' or the 'Waiting jobs' in the Océ TDS700 Power Logic® controller application.
4. Check the print job and the printer configuration status.
You can view the status information of the printer configuration and the available media.

How to connect to Océ Print Exec® Workgroup Basic

1. Enter the following URL in your workstation browser: `http://printer name'`.



Note: 'Printer name' is the name of printer that you use for your print jobs.



Note: If you enter the URL for the first time, the required software is installed automatically at your workstation.

Customise your workflow

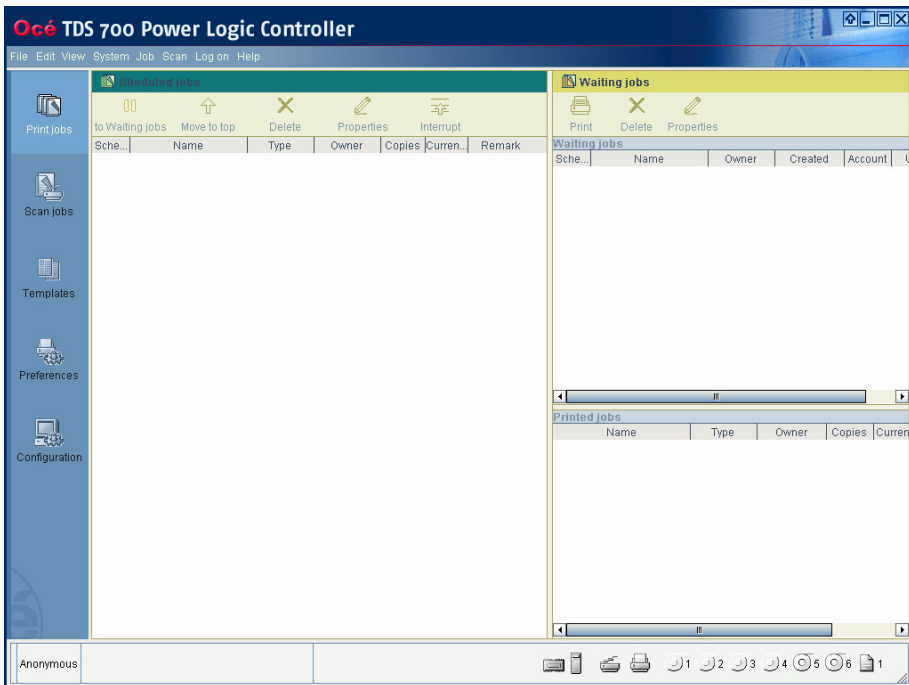
The Océ TDS700 Power Logic controller: a customised and transparent workflow

Definition

The Océ TDS700 Power Logic® controller offers one integrated software application that contains separate work spaces for users that have different permissions and tasks. The users can access their workspaces on the controller or through remote access.

The big advantage of this integrated application is that it combines a number of independent software applications into one powerful application. You only need to logon to one application to have all functionality at your disposal.

Illustration



[35] Print jobs screen

The software application on the Océ TDS700 Power Logic® controller

The software application on the Océ TDS700 Power Logic® controller allows users to perform different tasks, depending on the role they choose to log on. The software application offers the following tasks in separate workspaces, accessible through the vertical icon toolbar in the left hand side of the screen (see illustration above).

Workspace	Description
'Print jobs'	Print and copy job management (Advanced queue management).
'Scan jobs'	Scan job management.
Scanner 'Templates'	Copy and scan templates management (optional Stamps function).
Defaults	If your system does not include the optional scanner templates, you will use this workspace to define the default values for the copy and scan-to-file settings
'Preferences'	System settings management.
'Configuration'	Network management and connectivity settings.
Océ Matrix Logic	Optional copy job submission tool.
Océ Account Logic	Optional accounting module for tracking of costs.

The Océ TDS700 users

Introduction

The Océ TDS700 will be used by various users within your company or department. Depending on the tasks that you need to perform on the Océ TDS700 you may need certain access rights to the Océ TDS700 and the Océ TDS700 Power Logic[®] controller. The access rights are appointed by your company. Please contact the person responsible for the system to find out what rights and user role you need to work with the Océ TDS700. With the appointment of the user roles and the dedicated workspaces you can fully customise the system to fit with your workflow. You can configure the system for example as a centralised or a de-centralised printroom or you can configure a workflow for walk-up users. On the Océ TDS700 the following user roles can be identified.

Overview of user rights per workspace in the Océ TDS700 Power Logic[®] controller

The table below indicates if the users have read rights or only view rights in the 5 main workspaces.

- X: indicates that the user has full rights in this workspace
- 0: indicates that the user is only allowed to view the information in the workspace
- ¹: indicates that the user can switch scanner templates from the template library to the scanner operator panel.
- ²: indicates that the user is allowed to lock or unlock scan destinations.

Workspace → User role	'Print jobs'	'Scan jobs'	Scanner 'Templates'	'Preferences'	'Configuration'
'Anonymous'	X	X	0	0	0
Repro operator	X	X	0 ¹	0	0
Key operator	X	X ²	X	X	0
System administrator	X	0	0	0	X

'Anonymous' user

The 'Anonymous' user is a common user who uses the Océ TDS700 for print jobs, and possibly for walk-up copy or scan jobs. The common or walk-up user has no permission to change the system settings.

In the integrated Power Logic® controller application, the anonymous user can delete his or her own print jobs in the 'Print jobs' workspace and the scan-to-file jobs in the 'Scan jobs' workspace.



Note: *You do not have to logon to the Océ TDS700 Power Logic® controller application when you are an 'Anonymous' user.*

Repro operator

The repro operator is responsible for the daily use of the Océ TDS700 in a central repro department. This person makes prints, copies and scans on the system and is responsible for replacing media and toner, making sure the right media is loaded for jobs, separating jobs for delivery, finishing as required. A repro operator also takes care of the production of priority jobs (printing or copying).

In the integrated Power Logic® controller application, the repro operator has no permission in the 'Preferences' and 'Configuration' workspaces, limited permission in the 'Templates' workspace and full permission in the 'Print jobs' and 'Scan jobs' workspaces.

Key operator

The key operator is responsible for the ongoing management of the system and the availability of the system for all users. In a large organisation he or she will be responsible for the smooth production of documents and scanned files from external departments. The key operator will also have to ensure that the staff of the internal department are able to perform their tasks swiftly and efficiently.

In the integrated Power Logic® controller application, the key operator has full permission in all workspaces ('Print jobs', 'Scan jobs', 'Templates', 'Preferences') except the 'Configuration' workspace, which is the responsibility of the system administrator.

System administrator

The system administrator is responsible for the installation and configuration of the Océ TDS700 in its environment. This person defines the security settings, manages licenses, printer language settings and pen settings. The system administrator can also provide assistance to normal users who need to install the printer drivers on their workstations.

In the integrated Power Logic® controller application, the system administrator has exclusive permission in the 'Configuration' workspace.

Océ Service

Dedicated user mode for service purposes.

Software configurations



The software configurations mentioned in the table below describe the possibilities you have to tailor the Océ TDS700 solution to your needs.

Océ TDS700 licenses	Océ TDS700 flexible colour scanner	Océ TDS700 productive black and white scanner
<ul style="list-style-type: none"> ■ Océ TDS700 Power Logic® Controller ■ Océ TDS700 Advanced Queue Management ■ Océ Print Exec® Workgroup Basic ■ Océ Copy for TDS700 	Base license	Base license
Océ Account Logic	Optional	Optional
Adobe® PostScript® 3 / PDF Adobe®	Optional	Optional
Japanese PostScript® Adobe®	Optional	Optional
Traditional Chinese PostScript® Adobe®	Optional	Optional
Simplified Chinese PostScript®	Optional	Optional
Océ Advanced Security	Optional	Optional
Océ Double Decker Pro	Optional	Optional
Océ Copy Stamping for TDS700	Optional	Optional
Océ Scan Logic® Basic for TDS700	Optional	Optional
Océ Scan Logic® for TDS700	Optional	Optional
Océ Scanner Templates for TDS700	Optional	Optional
Océ Print Exec® Workgroup	Optional	Optional
Océ Matrix Logic® for TDS700 Pro	-	Optional
Océ High Speed Logic for TDS700 Flex	Optional	-
Océ Colour Logic for TDS700 Flex	Optional	-

Be ready for the future

Introduction

The Océ TDS700 gives you a flexible growth path because it is such a versatile system. You can choose various hardware or software options to let the system grow with your company's needs. The table below gives you some suggestions. Your Océ representative will be happy to assist you with more information or a business analysis.

Customise your system by	Find more information in
Choosing a configuration that fits	<p>The Océ TDS700 Quick navigation manual: (see ‘Overview of the Océ TDS700 system’ on page 7)</p> <ul style="list-style-type: none"> ■ You can start with a 2 roll configuration and depending on your (future) needs you can expand your system. ■ You have a choice between 2 scanners: a flexible colour scanner and a productive black and white scanner. Both scanners can be upgraded with additional functions.
Choosing your finishing options	<p>The Océ TDS700 Quick navigation manual: (see ‘The folder’ on page 10) (see ‘The Océ Double Decker (Pro)’ on page 11)</p> <p> Note: Consult the Océ TDS700 Reference manual for detailed information on the finishing options.</p>
Choosing your optional functionality	<p>The Océ TDS700 Quick navigation manual: (see ‘Specifications Océ Scan Logic®’ on page 119) (see ‘Overview of the Océ TDS700 system’ on page 7) (see ‘Software configurations’ on page 54)</p> <p> Note: Consult the Océ TDS700 Reference manual for detailed information on (colour) scan-to-file, scanner templates, stamping and Océ Matrix Logic.</p>


Advanced queue management

Increase your productivity with advanced queue management

Advanced queue management is a very successful concept that is implemented in the Océ TDS700 Power Logic® controller application. Advanced queue management allows you to manage your jobs in three different queues: the Scheduled jobs, where jobs are ready to be printed, the Waiting jobs, a holding area for jobs that need operator intervention and the Printed jobs, where jobs are stored temporarily for re-printing and checking.

From a single overview, the Print jobs workspace, you have full control over all incoming jobs and jobs that are printed. The different workspaces allow you to optimise the workload of your Océ TDS700, you can check all print and copy jobs and track their progression from print job request to completed print job.

The table below gives you an overview of additional information about advanced queue management.

Increase your productivity with	Find more information in
Advanced queue management	<p>The Océ TDS700 Quick navigation manual: (see <i>'Concepts of the 'Print jobs' workspace'</i> on page 57) (see <i>'Concept of the 'Scheduled jobs'</i> on page 59) (see <i>'Concept of the 'Waiting jobs'</i> on page 60) (see <i>'Concept of the 'Printed jobs'</i> on page 61)</p> <p>The Océ TDS700 Reference manual: Chapter 6: The Océ TDS700 Power Logic® controller application</p> <p> Note: Consult the on-line help of the Océ TDS700 Power Logic® controller application for more detailed information on advanced queue management.</p>

Concepts of the 'Print jobs' workspace

Introduction

You submit a print job on a workstation. A print job can be created with a printer driver or with special job submission software (e.g. Océ Print Exec® Workgroup). Next, you send the print job to the Océ TDS700. All the print jobs appear in the 'Print jobs' workspace.

Definition

The 'Print jobs' workspace is the main work area for the key operator and the repro operator of the Océ TDS700. They are in full control of the workflow on the Océ TDS700. He or she can manage all the print and copy jobs on the Océ TDS700. Depending on the status of the jobs and the configuration of the 'Print jobs' area, the jobs are printed directly or held for further processing. It is possible to store completed jobs for reprinting purposes.

'Scheduled jobs'

The 'Scheduled jobs' area displays print jobs and copy jobs (this can also be check plots or scan to file jobs) that are printed directly on the printer without operator interaction.

The 'Scheduled jobs' area allows you to change the order in which the jobs are printed and you can move jobs to the 'Waiting jobs' area. In addition you can hold the active job to process another job first. If a job is currently printing you can interrupt the job in favour of another job. When the other job is ready you can resume the interrupted job without having to resend the job. It is also possible to delete jobs from the 'Scheduled jobs' area.

'Waiting jobs'

The 'Waiting jobs' area is a temporary holding space for jobs that need operator interaction before they are printed. You can send print jobs directly to the 'Waiting jobs' area, you can move jobs from the 'Printed jobs' to the 'Waiting jobs' area or you can set up the system to force all jobs to the 'Waiting jobs'. In the 'Waiting jobs' area the operator has full control over the jobs. It is also possible to delete jobs from the 'Waiting jobs' area.

'Printed jobs'

The 'Printed jobs' contain the jobs that have been printed. The 'Printed jobs' area gives you the opportunity to view and edit the properties of the jobs in the 'Printed

jobs'. It is not necessary to create a print job again, because you can re-print a job directly from the 'Printed jobs'.

The 'Printed jobs' area is not an archive and has only limited space to store printed jobs. The jobs are removed after a pre-defined time and you can limit the number of jobs present in the 'Printed jobs' area.

Concept of the 'Scheduled jobs'

'Scheduled jobs'

The 'Scheduled jobs' receives print jobs and copy jobs that are printed directly on the printer without operator interaction. The main task of the 'Scheduled jobs' is to process the jobs in a productive and efficient way without operator interaction. If necessary, the operator can intervene to manage the jobs in the 'Scheduled jobs' area in the following way.

Toolbar options in the 'Scheduled jobs'

Options in: 'Scheduled jobs'	Description
'to Waiting jobs'	This option moves the selected job from the 'Scheduled jobs' to the 'Waiting jobs'. The job can be edited or deleted in the 'Waiting jobs'.
'Move to top'	This option moves the selected job to another place in the list of jobs. The highest possible position is directly after the job that is currently active.
'Delete'	This option allows you to delete the selected job(s) from the 'Scheduled jobs'.
'Properties'	This option opens a secondary window in which you can view the properties of the selected job.
'Interrupt' 'Exit Interrupt'	Firs move a priority job to the top of the list. Then use this toggle option to interrupt the currently active print job to put the print job on hold. The next job in the list can be printed. When this job is finished, the job on hold can be resumed again and will pick up where it was interrupted.
'Copy priority'	This drop down list enables you to set the 'Copy priority' and to define the print job workflow.
Print jobs workflow	This drop down list allows you to define the destination of the print jobs: 'Always to Waiting jobs', 'Directly to Scheduled jobs' or 'Defined by user'.

If you do not want to use the toolbar options, there are 2 alternative methods to perform the same actions. You can use the menu options in the top toolbar of the Océ TDS700 Power Logic® controller application or you can right-click in the 'Scheduled jobs' to access a menu to perform actions on the selected jobs in the 'Scheduled jobs'.

Concept of the 'Waiting jobs'

Introduction

The 'Waiting jobs' area receives print jobs that do not go directly to the 'Scheduled jobs'. The 'Waiting jobs' also receive all the jobs from the 'Scheduled jobs' that are postponed for example because they have a media request time-out. You can manage the 'Waiting jobs' and the jobs in it with the toolbar options at the top of the 'Waiting jobs'.

Use the 'Waiting jobs' as your central work area to check and edit the job settings and to decide the order in which the jobs are sent to the Scheduled jobs. You can temporarily store jobs in the 'Waiting jobs' for postponed printing.



Note: Use the toolbar options that are available in the 'Waiting jobs' to manage the 'Printed jobs' as well.

Toolbar options of the 'Waiting jobs'

Options in: 'Waiting jobs'	Description
'Print'	Sends the selected job(s) to the 'Scheduled jobs'.
'Delete'	Deletes the selected job(s) from the 'Waiting jobs'.
'Properties'	Opens a secondary window in which you can view the properties of the selected job.
Enable printed jobs	This drop down menu allows you to admit or block jobs from the 'Printed jobs' area. When 'Printed jobs' is enabled the jobs that are printed on the Océ TDS700 are stored there for reprinting.

If you do not want to use the toolbar options, there are 2 alternative methods to perform actions. You can use the menu options in the top toolbar of the Océ TDS700 Power Logic® controller application or you can right-click to access a menu to perform the same actions on the selected jobs in the 'Waiting jobs'.

Concept of the 'Printed jobs'

Introduction

The 'Printed jobs' is a temporary storage area for the jobs that are printed on the Océ TDS700. When the jobs leave the 'Scheduled jobs' they can go to the 'Printed jobs' or they are removed from the system. You can define if the 'Printed jobs' workspace is enabled in the toolbar of the 'Waiting jobs' or in the 'Preferences' workspace.

The main advantage of the 'Printed jobs' is that you can re-print a job that was printed before on the Océ TDS700. It is not necessary to recreate the print job because you can use the stored job in the 'Printed jobs'.

Keep in mind that the storage capacity in the 'Printed jobs' is limited. Therefore, do not use the 'Printed jobs' as an archive. If the capacity of the 'Printed jobs' is reached, you will notice a decreased performance of the Océ TDS700 can occur.

The 'Printed jobs' is managed in the 'Preferences' workspace where you can define a maximum job lifetime and a maximum number of jobs in the 'Printed jobs'.




Note: Use the toolbar options that are available in the 'Waiting jobs' to manage the 'Printed jobs'.



Options in the 'Printed jobs'	Description
'Print'	This option sends the selected job(s) in the 'Printed jobs' to the 'Scheduled jobs' for re-printing. You can even edit some of the job properties of the job in the 'Printed jobs', the copy that is sent to the 'Scheduled jobs' contains the changed settings. When this copy is printed, it also goes to the 'Printed jobs' (provided the 'Printed jobs' destination is enabled).
'Delete'	This option deletes the selected job(s) from the 'Printed jobs'.
'Properties'	This option opens a secondary window in which you can view the properties of the selected job. You can only view one job at a time.

Ease of use

The Océ TDS700: an intuitive system

The Océ TDS700 and the additional software applications are designed to give you maximum functionality and maximum ease of use. You do not need an extensive training to be able to work with the Océ TDS700. The table below offers some examples of the way Océ applies user friendly design and functionality in the Océ TDS700.

Increase your productivity with	Find more information in
Green key principle for scan and copy jobs	The Océ TDS700 Quick navigation manual: (see <i>'Do a basic copy job'</i> on page 24) (see <i>'Do a basic scan-to-file job'</i> on page 26)
Customisable scanner templates for scan and copy jobs	The Océ TDS700 Quick navigation manual: (see <i>'Concept of the scanner templates'</i> on page 22)  Note: Consult the on-line help of the Océ TDS700 Power Logic® controller application and the Océ TDS700 Reference manual for more detailed information on template usage, creation and management.
An easy to use scanner and printer operator panel	The Océ TDS700 Quick navigation manual: (see <i>'Printer operator panel'</i> on page 105) (see <i>'Scanner operator panel'</i> on page 106) The Océ TDS700 Reference manual: Consult chapter 2 'Use the Océ TDS700 to Print a job' for detailed information about the functions of the printer operator panel.

Increase your productivity with	Find more information in
Advanced queue management	<p>The Océ TDS700 Quick navigation manual: (see <i>'Increase your productivity with advanced queue management'</i> on page 56) (see <i>'Concepts of the 'Print jobs' workspace'</i> on page 57) (see <i>'Concept of the 'Scheduled jobs''</i> on page 59) (see <i>'Concept of the 'Waiting jobs''</i> on page 60) (see <i>'Concept of the 'Printed jobs''</i> on page 61)</p> <p> Note: Consult the on-line help of the Océ TDS700 Power Logic® controller application for more detailed information on advanced queue management.</p>
A wide range of print job submission tools to fit your needs	<p>The Océ TDS700 Quick navigation manual: (see <i>'Print job submission tools that fits your needs'</i> on page 46)</p> <p> Note: Consult the user documentation and on-line help files of the print job submission tools for more detailed information.</p>

Concept of the scanner templates

'Templates' on the flexible scanner

With a template you can pre-define the settings you need for a copy or scan job. This way you can store a number of settings that are often used. The pre-defined settings are saved in a template. The template can be selected on the scanner operator panel. The scanner operator panel of the flexible scanner offers 5 copy and 5 scan-to-file templates.

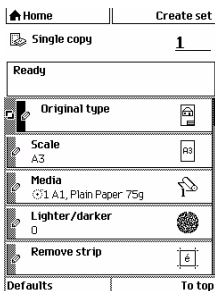
For each template you can define the following items. The template definition is managed by a dedicated user, for example the repro operator in the Océ TDS700 Power Logic® controller application.

[22] Template details

Name	Description
'Template name'	Give each template a unique name.
'Template description'	Give additional information about the template and / or its settings.
'Top 5 settings'	Allows you to display the settings in the order that you prefer. When you can place the settings you use most often at the top of the list you avoid the need to scroll through the list of settings.
Individual settings	Allows you to set the values for each setting, used in the template

Illustration

The illustration below gives an example of a copy template on the scanner operator panel of the flexible scanner. You can see the title and the top 5 settings in the illustration.



[36] Available template on the scanner operator panel of the flexible scanner

'Templates' on the productive scanner

With a template you can pre-define the settings you need for a copy or scan job. You only need to set the job settings once and you can store the settings in a template that is presented on the scanner operator panel. You can re-use the template for each next job without the need to redefine all the settings every time. The scanner operator panel of the productive scanner offers 4 templates for scan-to-file or copy jobs. The scanner operator panel also displays a template with the settings you used last. This Last used template is only visible on the local scanner operator panel. It cannot be displayed in the 'Templates' area of the Océ TDS700 Power Logic® controller application.

The templates function supports the green key principle: the user only needs to select a template and start a job with the required settings instead of having to define all the settings manually for every job.

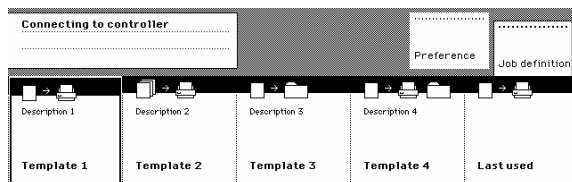
For each template you can define the following items. The template definition is managed by a dedicated user, for example the repro operator in the Océ TDS700 Power Logic® controller application.

[23] Template details

Name	Description
'Template name'	Give each template a unique name.
'Template description'	Give additional information about the template and / or its settings.
'File' mode	Select one of three output types for each template.
'Custom Card'	Allows you to put together on one card the 5 settings that you require, in the order that you prefer.
'Original', 'Print' and 'File' cards	Define the settings in the cards.

Illustration

The illustration below shows the available copy and scan-to-file templates on the scanner operator panel of the productive scanner.









[37] Available templates on the scanner operator panel of the productive scanner

Original types for the scanner

Flexible scanner

The original types that you can use for your flexible colour scanner are listed in the table below.

[24] Original types

Original type	Type	Icon
Black & white / grey	'Line Art'	 [38] Lines / text icon
	'Greys&Lines'	 [39] Greys & lines icon
	'Transparent'	 [40] Transparent icon
	'Blueprint'	 [41] Blueprint icon
	'Dark original'	 [42] Dark original icon
Colour	'Photo'	 [43] Photo icon

Productive scanner

The original types that you can use for your productive black and white scanner are listed in the table below.

Image	After an original is scanned, the following functions are performed.
Lines&text	<ul style="list-style-type: none"> ■ Error diffusion ■ Automatic background compensation (operator choice)
Greys&lines	<ul style="list-style-type: none"> ■ An additional OD in-OD out lookup table is used to get a smooth greyscale. ■ Automatic background compensation is disabled ■ Manual background compensation can be set.
Photo	<ul style="list-style-type: none"> ■ Dithering ■ Automatic background compensation (operator choice)
Printed matter	Printer optimisation to take into account the fact that the original already is a print itself, containing raster information.
Dark original	<ul style="list-style-type: none"> ■ Error diffusion ■ Manual background compensation
Blueprint	<ul style="list-style-type: none"> ■ (Greyscale) image inversion. ■ Optimised error diffusion for blueprints.

Chapter 4

The Facility manager



The Facility manager

I want a printer I can install and forget about



[44] The Facility manager

You will love the way the Océ TDS700 helps you manage costs and productivity. Its future-proof design adapts to changes in document workflow. Océ Image Logic[®] produces excellent copy and print quality, reducing the amount of wasted material. Radiant fusing technology keeps energy costs low. And with full control over all print, copy and scan jobs, the central repro department can deliver the highest possible service.

The Océ TDS700 is kind to the environment as well as your bottom line. Low noise, reduced ozone discharge and negligible heat emission mean more pleasant working conditions and no investment in extra ventilation.

Focus points Facility manager

Main point of interest	More information about the topic
Safe investment	<ul style="list-style-type: none">■ Manage costs and productivity■ Customised workflow■ Manage productivity

The Océ TDS700 key concepts

Printer configuration

The Océ TDS700 is available in a number of printer configurations, ranging from two rolls in a single drawer (the minimum configuration) to a maximum of six rolls with one sheet feeder and four rolls with three sheet feeders. The Océ TDS700 printer can be combined with a flexible colour scanner or a productive black and white scanner. Also a number of optional features are available, including an integrated folder, an output delivery tray, paper roll loaders and a paper switch for supporting customer finishing units.

Copy functionality

The Océ TDS700 offers you a configuration with a flexible colour or a productive black and white scanner. With these Océ TDS700 scanners a large number of copy activities can be performed. A wide variety of original and copy related settings are supported. You can specify particular layout, media, finishing, feeding and quality enhancement options from the scanner operator panel.

Green key principle

The Océ TDS700 is a very user-friendly system. The scanners, in particular, are very easy to operate. Basic copy jobs can be performed by simply pressing the green start key on the scanner operator panel. Only if you want to perform more complex copy jobs, you have to change the default copy settings with the help of the other settings on the scanner operator panel. The scanner templates offer you extended ease of use because you can use them to store preferred combinations of settings.

Scanner templates

Both the flexible colour and the productive black and white scanner offer you a number of customisable templates for the job settings of a copy or scan job. The scanner templates allow you to store your preferred job settings. To start a job you simply select a template on the scanner operator panel and press the green start key. Templates can be managed in the new Océ TDS700 Power Logic® controller application.

Integrated Océ TDS700 Power Logic® controller application

The Océ TDS700 Power Logic® controller application supports a centralised workflow. Only one application with a transparent and intuitive layout where you can perform many tasks based on user role defined access. Separate workspaces give you a full overview and full control on print and scan job management, but also allow you to manage your scanner templates, stamps, system preferences and network connectivity settings.

Océ Scan Logic®

The Océ TDS700 offers optional scan-to-file functionality for both the flexible colour and the productive black and white scanner. Documents are scanned then stored digitally. Ten customised scan destinations are supported. Scan jobs and scan destinations can be managed in the new Océ TDS700 Power Logic® controller application.

Adobe® PostScript® 3™/PDF

The Océ TDS700 fully supports Adobe® PostScript® 3™. For Japanese 5 extra fonts are optional. They can be enabled in Océ License Logic.

Network connectivity

The Océ TDS700 supports a number of popular network protocols. This means that it can be used in multiple networking environments such as TCP/IP, and Novell® Pserver (IPX/SPX). You can configure the system in the network via the Océ TDS700 Power Logic® controller application or via the printer operator panel in the Administrator menu.

Set processing

The Océ TDS700 supports set processing. This means that a job can consist of several files or originals. You can print or scan these files or originals multiple times and in sorted sets. The Océ TDS700 is equipped with a set memory for storing up to 250 A0s which allows for the creation of identical sets that are sorted either by page or by set.

Print and copy jobs

A print and copy job is a job sent to the Océ TDS700 printer from a user application (print job) or from the scanner (copy job). A print or copy job can consist of several sets, which in turn may consist of several pages. Sorting of a job can take place based on sets or on pages.

Spool memory

The Océ TDS700 has a spool memory which provides a queuing system for files you want to print. The spool memory allows multiple users to send print jobs to the Océ TDS700 simultaneously. The print jobs are then placed in the Scheduled jobs of the Océ TDS700 Power Logic® controller application where they will be printed. The job that is put first into the list of Scheduled jobs is printed first.

Job recovery

The Océ TDS700 is equipped with a job recovery function that safeguards users against data loss in case of a printer failure. After a restart, the data submitted to the printer before the crash will be automatically processed and printed. This means that jobs do not have to be re-submitted after a printer malfunction, thus saving valuable time for the users.

Manage your costs

An overview of Océ Account Center

Introduction

Use Océ Account Center to manage the account information of the print, copy and scan-to-file jobs for your Océ TDS and Océ TCS devices.

Definition

Océ Account Center consists of the following two software modules.

- Océ Account Logic

Océ Account Logic runs on the Océ Power Logic® controller. You can connect to Océ Account Logic from a remote workstation through a web browser.

The users use Océ Account Logic to enter the account information. The user can enter the account information for the copy and scan-to-file jobs and for the print jobs. The users can enter the account information at the Océ Power Logic® controller and at the workstation.

The administrator can manage Océ Account Logic from the 'Administration' screen on the application.

- Océ Account Console.

Océ Account Console runs on a PC that functions as a server. You can connect to Océ Account Console from a remote workstation through Internet Explorer.

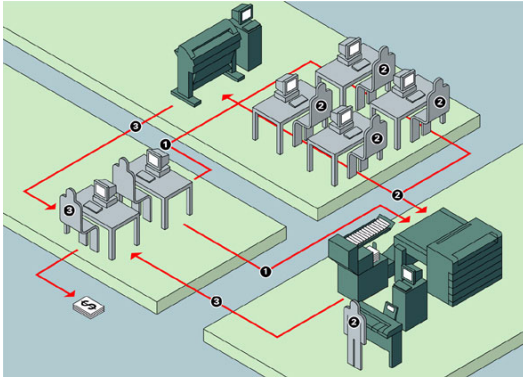
Access to Océ Account Console application is password protected and limited to authorised personnel.

The administrator uses Océ Account Console to create the 'Account information' dialogue. The administrator publishes the 'Account information' dialogue for Océ Account Logic and other applications.

The bookkeeper uses Océ Account Console to retrieve and export the log data.

The bookkeeper uses the log data for accounting purposes.

Illustration



User roles and tasks in Océ Account center

[27] User roles and tasks in Océ Account center

Users	Tasks
1) Administrator	A) Create, manage and delete the account dialogue. B) Publish the account dialogue to the Océ TDS700 Power Logic® controller.
2) Users	C) Use the dialogue of Océ Account Logic or the dialogue in the Océ Windows Printer Driver (WPD) or Océ Print Exec Workgroup to specify the account information for each copy, print and scan-to-file job.
3) Bookkeeper	D) Retrieve and use the account information of the copy, print and scan-to-file jobs that is stored on the Océ TDS700 Power Logic® controller. The log data serves as input for the accounting reports and invoices.

Access to Océ Account Logic

Provided you have a valid license, you can access the application via the vertical icon tollbar in the Océ TDS700 Power Logic® controller application.

Actions to access Océ Account Logic.

- Access the Océ TDS700 Power Logic® controller application.
- Click the Océ Account Logic icon at the bottom of the vertical icon toolbar.
A secondary, smaller window appears on top of the window of the Océ TDS700 Power Logic® controller application. Please note that when you click the screen in the background, the smaller screen with Océ Account Logic disappears to the background. Minimise the screen in the foreground to retrieve the Océ Account Logic screen.
- Access the 2 tabs to define the accounting data for the copy& file and print jobs.

Customise your workflow

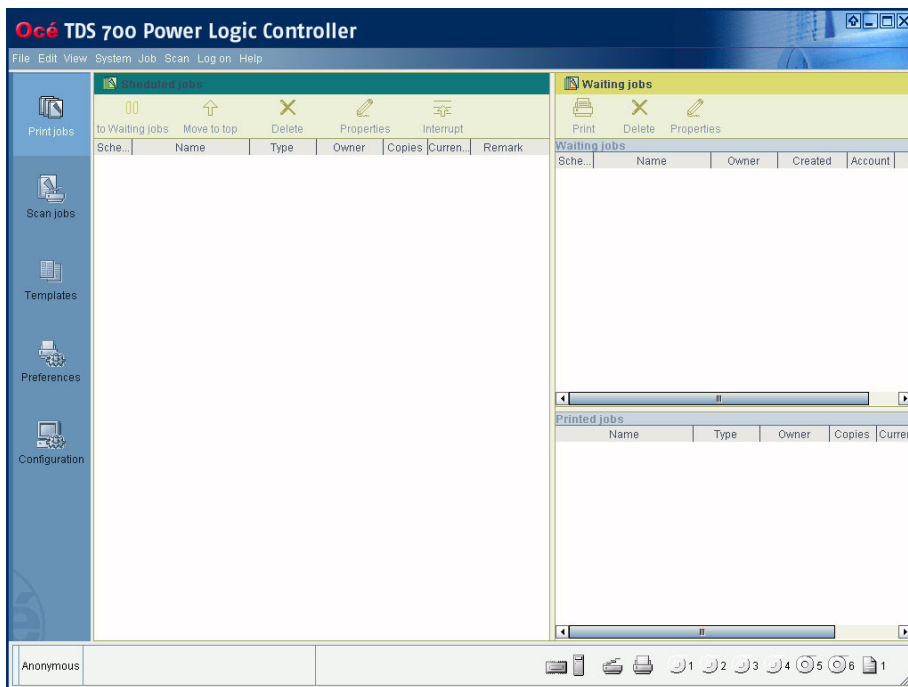
The Océ TDS700 Power Logic controller: a customised and transparent workflow

Definition

The Océ TDS700 Power Logic® controller offers one integrated software application that contains separate work spaces for users that have different permissions and tasks. The users can access their workspaces on the controller or through remote access.

The big advantage of this integrated application is that it combines a number of independent software applications into one powerful application. You only need to logon to one application to have all functionality at your disposal.

Illustration



[46] Print jobs screen

The software application on the Océ TDS700 Power Logic® controller

The software application on the Océ TDS700 Power Logic® controller allows users to perform different tasks, depending on the role they choose to log on.

The software application offers the following tasks in separate workspaces, accessible through the vertical icon toolbar in the left hand side of the screen (see illustration above).

Workspace	Description
'Print jobs'	Print and copy job management (Advanced queue management).
'Scan jobs'	Scan job management.
Scanner 'Templates'	Copy and scan templates management (optional Stamps function).
Defaults	If your system does not include the optional scanner templates, you will use this workspace to define the default values for the copy and scan-to-file settings
'Preferences'	System settings management.
'Configuration'	Network management and connectivity settings.
Océ Matrix Logic	Optional copy job submission tool.
Océ Account Logic	Optional accounting module for tracking of costs.

The Océ TDS700 users

Introduction

The Océ TDS700 will be used by various users within your company or department. Depending on the tasks that you need to perform on the Océ TDS700 you may need certain access rights to the Océ TDS700 and the Océ TDS700 Power Logic® controller. The access rights are appointed by your company. Please contact the person responsible for the system to find out what rights and user role you need to work with the Océ TDS700. With the appointment of the user roles and the dedicated workspaces you can fully customise the system to fit with your workflow. You can configure the system for example as a centralised or a de-centralised printroom or you can configure a workflow for walk-up users. On the Océ TDS700 the following user roles can be identified.

Overview of user rights per workspace in the Océ TDS700 Power Logic® controller

The table below indicates if the users have read rights or only view rights in the 5 main workspaces.

- X: indicates that the user has full rights in this workspace
- 0: indicates that the user is only allowed to view the information in the workspace
- ¹: indicates that the user can switch scanner templates from the template library to the scanner operator panel.
- ²: indicates that the user is allowed to lock or unlock scan destinations.

Workspace → User role	'Print jobs'	'Scan jobs'	Scanner 'Templates'	'Preferences'	'Configuration'
'Anonymous'	X	X	0	0	0
Repro operator	X	X	0 ¹	0	0
Key operator	X	X ²	X	X	0
System administrator	X	0	0	0	X

'Anonymous' user

The 'Anonymous' user is a common user who uses the Océ TDS700 for print jobs, and possibly for walk-up copy or scan jobs. The common or walk-up user has no permission to change the system settings.

In the integrated Power Logic® controller application, the anonymous user can delete his or her own print jobs in the 'Print jobs' workspace and the scan-to-file jobs in the 'Scan jobs' workspace.



Note: *You do not have to logon to the Océ TDS700 Power Logic® controller application when you are an 'Anonymous' user.*

Repro operator

The repro operator is responsible for the daily use of the Océ TDS700 in a central repro department. This person makes prints, copies and scans on the system and is responsible for replacing media and toner, making sure the right media is loaded for jobs, separating jobs for delivery, finishing as required. A repro operator also takes care of the production of priority jobs (printing or copying).

In the integrated Power Logic® controller application, the repro operator has no permission in the 'Preferences' and 'Configuration' workspaces, limited permission in the 'Templates' workspace and full permission in the 'Print jobs' and 'Scan jobs' workspaces.

Key operator

The key operator is responsible for the ongoing management of the system and the availability of the system for all users. In a large organisation he or she will be responsible for the smooth production of documents and scanned files from external departments. The key operator will also have to ensure that the staff of the internal department are able to perform their tasks swiftly and efficiently.

In the integrated Power Logic® controller application, the key operator has full permission in all workspaces ('Print jobs', 'Scan jobs', 'Templates', 'Preferences') except the 'Configuration' workspace, which is the responsibility of the system administrator.

System administrator

The system administrator is responsible for the installation and configuration of the Océ TDS700 in its environment. This person defines the security settings, manages licenses, printer language settings and pen settings. The system administrator can also provide assistance to normal users who need to install the printer drivers on their workstations.

In the integrated Power Logic® controller application, the system administrator has exclusive permission in the 'Configuration' workspace.

Océ Service

Dedicated user mode for service purposes.

Software configurations

The software configurations mentioned in the table below describe the possibilities you have to tailor the Océ TDS700 solution to your needs.

Océ TDS700 licenses	Océ TDS700 flexible colour scanner	Océ TDS700 productive black and white scanner
<ul style="list-style-type: none"> ■ Océ TDS700 Power Logic® Controller ■ Océ TDS700 Advanced Queue Management ■ Océ Print Exec® Workgroup Basic ■ Océ Copy for TDS700 	Base license	Base license
Océ Account Logic	Optional	Optional
Adobe® PostScript® 3 / PDF Adobe®	Optional	Optional
Japanese PostScript® Adobe®	Optional	Optional
Traditional Chinese PostScript® Adobe®	Optional	Optional
Simplified Chinese PostScript®	Optional	Optional
Océ Advanced Security	Optional	Optional
Océ Double Decker Pro	Optional	Optional
Océ Copy Stamping for TDS700	Optional	Optional
Océ Scan Logic® Basic for TDS700	Optional	Optional
Océ Scan Logic® for TDS700	Optional	Optional
Océ Scanner Templates for TDS700	Optional	Optional
Océ Print Exec® Workgroup	Optional	Optional
Océ Matrix Logic® for TDS700 Pro	-	Optional
Océ High Speed Logic for TDS700 Flex	Optional	-
Océ Colour Logic for TDS700 Flex	Optional	-

Manage productivity

Print job submission tools that fits your needs

The Océ TDS700 offers a wide range of print job submission tools. Easy to use printer drivers that enable your walk-up users to send print jobs to the Océ TDS700. But also advanced software solutions such as Océ Print Exec® Workgroup Basic or Océ Repro Desk which enable a dedicated key operator to create special print jobs, to monitor the printer status to build special print jobs by combining different files and to balance the workload of the printer. You will increase the Océ TDS700 productivity by offering your internal customers a print job tool that fits their needs.

Customer	Print job submission tool	Description
Walk-up user	Océ Windows® Printer driver	Use the Océ Windows Printer Driver (WPD) to print files created with a Windows application. The Océ TDS700 Windows® Printer driver translates the data into HP-GL/2 (graphics language designed by Hewlett-Packard).
Walk-up user	Océ Windows® Raster driver	Use the Océ Windows Raster Driver (WRD) to convert your document into HP-RTL data, the raster transfer language designed by Hewlett-Packard.
Walk-up user	Océ HDI driver (AutoCAD)	Use the Océ HDI driver to print files created with the AutoCAD 2000 application family. The main purpose of the HDI driver is to convert AutoCAD drawings into a set of HP-GL/2 (and RTL) commands. The Océ HDI driver ensures that HP-GL/2 commands generated can be interpreted by the Océ TDS700.
Walk-up user	Océ PostScript3® Printer driver (optional software)	Use the Océ PostScript3® Printer driver to print files created with a wide range of software applications. The PostScript3® driver is based on Adobe® technology and facilitates the printing and creation of Adobe PostScript3® files. It is compatible with the Adobe PostScript3®/PDF option of the Océ Power Logic® Controller.
Dedicated key operator	Océ Print Exec® LT	Use Océ Print Exec® LT for set printing, saving you time and trouble in creating sets of plots or drawings and sending them to any Océ printer.
Dedicated key operator	Océ Print Exec® Workgroup Basic	Use this web-enabled application to create and submit print jobs from your web browser. Whether you are working in an architectural, engineering or manufacturing environment, or running an in-house central printroom, Océ Print Exec® Workgroup Basic will streamline your professional printing work, save you time and support your business processes.

Customer	Print job submission tool	Description
Dedicated key operator	Océ Print Exec® Department	Use Océ Print Exec® Department as a print management solution in a mixed printer environment: Océ and non-Océ, colour and monochrome, wide and small format. Océ Print Exec® Department provides tools to print from applications and to submit sets of documents in an efficient way to the most economical and optimal printer. Océ Print Exec® Department optimizes your business print process and makes printing as easy as can be.
<ul style="list-style-type: none">■ Dedicated key operator■ End user	Océ Repro Desk	<ul style="list-style-type: none">■ Use the Océ Repro Desk Server software to handle receive, process and print your jobs to an Océ 9800, 9700, 9400, 9300 or an Océ TDS800, TDS700, TDS600, TDS400 printer.■ Use the remote Océ Repro Desk Client software to allow end users to process files, predetermine output options, preview documents, complete a work order form, and digitally submit the job for printing.


Please refer to the related user documentation and on-line help files to get more detailed information about the products mentioned in the above table ([see 'Available documentation' on page 98](#)).

Increase your productivity with advanced queue management

Advanced queue management is a very successful concept that is implemented in the Océ TDS700 Power Logic® controller application. Advanced queue management allows you to manage your jobs in three different queues: the Scheduled jobs, where jobs are ready to be printed, the Waiting jobs, a holding area for jobs that need operator intervention and the Printed jobs, where jobs are stored temporarily for re-printing and checking.

From a single overview, the Print jobs workspace, you have full control over all incoming jobs and jobs that are printed. The different workspaces allow you to optimise the workload of your Océ TDS700, you can check all print and copy jobs and track their progression from print job request to completed print job.

The table below gives you an overview of additional information about advanced queue management.

Increase your productivity with	Find more information in
Advanced queue management	<p>The Océ TDS700 Quick navigation manual: (see <i>'Concepts of the 'Print jobs' workspace' on page 57</i>) (see <i>'Concept of the 'Scheduled jobs' on page 59</i>) (see <i>'Concept of the 'Waiting jobs' on page 60</i>) (see <i>'Concept of the 'Printed jobs' on page 61</i>)</p> <p>The Océ TDS700 Reference manual: Chapter 6: The Océ TDS700 Power Logic® controller application</p> <p> Note: Consult the on-line help of the Océ TDS700 Power Logic® controller application for more detailed information on advanced queue management.</p>

Chapter 5

Network administrator



The Network administrator

I want a printer that is predictable



[47] The Network administrator

The Océ TDS700 gives you full control over the operation of the system. All administrator settings are password protected so it complies with internal IT standards. And when extreme protection is required, advanced security settings prevent unwanted access.

The Océ TDS700 is powered by a range of software, from an entry level package to a fully loaded configuration. In other words, it fits the way you want it.

Focus points Network manager

Main point of interest	More information about the topic
Comfort / peace of mind	<ul style="list-style-type: none">■ Easy integration into your network environment■ Password protected network settings■ Ease of use

Easy integration into your network environment

Configuration of the network settings

During the installation of the Océ TDS700, the network, system and security settings are configured to fit seamlessly into your environment. Many of these settings need to be configured only once. If the environment or your requirements change, the Océ TDS700 configuration settings change to fit with the new needs. The system is set up in a way that only authorised personnel have access to the protected settings. You do not need to worry about accidental changes that cause connectivity problems. You are in control of the environment of the Océ TDS700 thanks to password protected access in both the Océ TDS700 Power Logic controller® application and the printer operator panel.

The table below describes who is authorised to change the protected settings at the 2 main locations for configuring the system.

Authorised user	Location	Find more information in
System administrator	Océ TDS700 Power Logic controller® application	The 'Configuration' chapter in the on-line help of the Power Logic® controller application Topics: <ul style="list-style-type: none">■ Connectivity and network protocols■ Printer description languages■ Security settings■ Pen settings
Key operator	Printer operator panel	Chapter 2 of the Reference manual explains the Administrator settings. Topics: <ul style="list-style-type: none">■ Password protection on the printer operator panel■ Network settings for the printer

Password protected network settings

The Océ TDS700 users

Introduction

The Océ TDS700 will be used by various users within your company or department. Depending on the tasks that you need to perform on the Océ TDS700 you may need certain access rights to the Océ TDS700 and the Océ TDS700 Power Logic® controller. The access rights are appointed by your company. Please contact the person responsible for the system to find out what rights and user role you need to work with the Océ TDS700. With the appointment of the user roles and the dedicated workspaces you can fully customise the system to fit with your workflow. You can configure the system for example as a centralised or a de-centralised printroom or you can configure a workflow for walk-up users.

On the Océ TDS700 the following user roles can be identified.

Overview of user rights per workspace in the Océ TDS700 Power Logic® controller

The table below indicates if the users have read rights or only view rights in the 5 main workspaces.

- X: indicates that the user has full rights in this workspace
- 0: indicates that the user is only allowed to view the information in the workspace
- ¹: indicates that the user can switch scanner templates from the template library to the scanner operator panel.
- ²: indicates that the user is allowed to lock or unlock scan destinations.

Workspace → User role	'Print jobs'	'Scan jobs'	Scanner 'Templates'	'Preferences'	'Configuration'
'Anonymous'	X	X	0	0	0
Repro operator	X	X	0 ¹	0	0
Key operator	X	X ²	X	X	0
System administrator	X	0	0	0	X

'Anonymous' user

The 'Anonymous' user is a common user who uses the Océ TDS700 for print jobs, and possibly for walk-up copy or scan jobs. The common or walk-up user has no permission to change the system settings.

In the integrated Power Logic® controller application, the anonymous user can delete his or her own print jobs in the 'Print jobs' workspace and the scan-to-file jobs in the 'Scan jobs' workspace.



Note: *You do not have to logon to the Océ TDS700 Power Logic® controller application when you are an 'Anonymous' user.*

Repro operator

The repro operator is responsible for the daily use of the Océ TDS700 in a central repro department. This person makes prints, copies and scans on the system and is responsible for replacing media and toner, making sure the right media is loaded for jobs, separating jobs for delivery, finishing as required. A repro operator also takes care of the production of priority jobs (printing or copying).

In the integrated Power Logic® controller application, the repro operator has no permission in the 'Preferences' and 'Configuration' workspaces, limited permission in the 'Templates' workspace and full permission in the 'Print jobs' and 'Scan jobs' workspaces.

Key operator

The key operator is responsible for the ongoing management of the system and the availability of the system for all users. In a large organisation he or she will be responsible for the smooth production of documents and scanned files from external departments. The key operator will also have to ensure that the staff of the internal department are able to perform their tasks swiftly and efficiently.

In the integrated Power Logic® controller application, the key operator has full permission in all workspaces ('Print jobs', 'Scan jobs', 'Templates', 'Preferences') except the 'Configuration' workspace, which is the responsibility of the system administrator.

System administrator

The system administrator is responsible for the installation and configuration of the Océ TDS700 in its environment. This person defines the security settings, manages licenses, printer language settings and pen settings. The system administrator can also provide assistance to normal users who need to install the printer drivers on their workstations.

In the integrated Power Logic® controller application, the system administrator has exclusive permission in the 'Configuration' workspace.

Océ Service

Dedicated user mode for service purposes.

Ease of use

A dedicated 'Configuration' workspace for system administrators only

Definition

The 'Configuration' workspace allows you to define a number of network and connectivity settings that manage the Océ TDS700. In this workspace you also define the printer protocols and the PDL settings. These settings are usually set during the installation and are not changed often after installation.

The 'Configuration' workspace consists of the following groups of settings. You have to logon as system administrator to be able to edit the settings.

Group	Description
'Network' settings	Allows you to define the standard settings for the following protocols. <ul style="list-style-type: none">■ 'TCP/IP'■ 'FTP'■ 'LPD'■ 'Novell'■ 'IPX/SPX'
'System setup'	Allows you to define the values for the security settings and the settings for the PDLs. <ul style="list-style-type: none">■ 'HP-GL'■ 'HP-GL/2'■ 'CalComp'■ 'PostScript'■ 'NIRS'■ 'C4'■ 'TIFF'■ 'CALs'■ JPEG■ 'ASCII'■ 'Printer PDLs'
'Security'	'Security Level' <ul style="list-style-type: none">■ Low■ Medium■ High

License management in Océ License Logic

Introduction

Océ License Logic is a software application that is dedicated for a single purpose: managing software licenses for your Océ printing system. The application is integrated in the Océ TDS700 Power Logic® controller application and offers password protected access to the system administrator only. Océ License Logic gives you the following options.

Options in Océ License Logic

- View the current active licenses
- Get the host id of the Océ system
- Save the active licenses
- Perform a license activation job.
You can activate new licenses or saved licenses.

For more detailed information regarding Océ License Logic please refer to the on-line help embedded in the application or consult chapter 7 of the Reference manual.

Appendix A

Specifications of the Océ TDS700



Available documentation

Introduction

This manual is part of a complete documentation set. The following table shows a complete overview of the available documentation.

Available documentation

[37] Available documentation

(1 – 3)

Product	Documentation	Medium
The Océ TDS700	Océ TDS700 Reference manual.	CD-ROM, PDF file in 8 main languages.
	Océ TDS700 Quick navigation manual.	CD-ROM, 3 multilingual hardcopy manuals, 3 multilingual PDF files covering 19 languages in total.
	Océ TDS700 Safety manual.	1 manual, PDF file, multilingual.
The Océ TDS700 Power Logic® controller	Océ TDS-TCS connectivity manual.	CD-ROM, as a PDF file in English only.
	Integrated Océ TDS700 Power Logic® controller application on-line help	Embedded in the application, as an on-line help file in 19 languages.
Océ Windows® Printer Driver	Océ Windows® Printer Driver User Manual	CD-ROM, as a PDF file in multiple languages on Océ Driver Pack CD-ROM.
	Océ Windows® Printer Driver on-line help	Embedded in the driver application as on-line help file in multiple languages.
Océ PostScript® 3 driver	Océ PostScript® 3 driver Getting Started	CD-ROM, as a PDF file in multiple languages on Océ Driver Pack CD-ROM.
	Océ PostScript® 3 driver Getting Started	Embedded in the driver application as on-line help file in multiple languages.
Océ HDI Driver	Océ HDI Driver User Manual	CD-ROM, as a PDF file in multiple languages on Océ Driver Pack CD-ROM.
	Océ HDI driver on-line help	Embedded in the driver application as on-line help file in multiple languages.

Product	Documentation	Medium
Océ Windows® Raster Driver	Océ Windows® Raster Driver User Manual	CD-ROM, as a PDF file in multiple languages on Océ Driver Pack CD-ROM.
	Océ Windows® Raster Driver on-line help	Embedded in the driver application as on-line help file in multiple languages.
Océ Account Center	Océ Account Center User Manual	CD-ROM, as a PDF file in multiple languages.
	Océ Account Logic on-line help.	Embedded in the application, as an on-line help file in multiple languages.
	Océ Account Console on-line help.	Embedded in the application, as an on-line help file in multiple languages.
Océ License Logic	Océ License Logic on-line help	Embedded in the application, as an on-line help file in multiple languages.
Océ TDS700 Power Logic® controller Remote	Océ TDS700 Power Logic® controller Remote on-line help	Embedded in the application, as an on-line help file in multiple languages.
Océ Print Exec® Workgroup Basic	Océ Print Exec® Workgroup Basic User Manual	CD-ROM, as a PDF file in multiple languages.
	Océ Print Exec® Workgroup Basic on-line help	Embedded in the application as on-line help file in multiple languages.
Océ Print Exec® Department	Océ Print Exec® Department User Manual	CD-ROM, as a PDF file in multiple languages.
	Océ Print Exec® Department on-line help	Embedded in the application as on-line help file in multiple languages.

[37] Available documentation

(3 – 3)

Product	Documentation	Medium
Océ Repro Desk	Océ Repro Desk User Manual	CD-ROM, as a PDF file in multiple languages.
	Océ Repro Desk on-line help	Embedded in the application as on-line help file in multiple languages.



Note: Visit Océ on the internet at www.oce.com for the latest information.

The Océ TDS700 key concepts

Printer configuration

The Océ TDS700 is available in a number of printer configurations, ranging from two rolls in a single drawer (the minimum configuration) to a maximum of six rolls with one sheet feeder and four rolls with three sheet feeders. The Océ TDS700 printer can be combined with a flexible colour scanner or a productive black and white scanner. Also a number of optional features are available, including an integrated folder, an output delivery tray, paper roll loaders and a paper switch for supporting customer finishing units.

Copy functionality

The Océ TDS700 offers you a configuration with a flexible colour or a productive black and white scanner. With these Océ TDS700 scanners a large number of copy activities can be performed. A wide variety of original and copy related settings are supported. You can specify particular layout, media, finishing, feeding and quality enhancement options from the scanner operator panel.

Green key principle

The Océ TDS700 is a very user-friendly system. The scanners, in particular, are very easy to operate. Basic copy jobs can be performed by simply pressing the green start key on the scanner operator panel. Only if you want to perform more complex copy jobs, you have to change the default copy settings with the help of the other settings on the scanner operator panel. The scanner templates offer you extended ease of use because you can use them to store preferred combinations of settings.

Scanner templates

Both the flexible colour and the productive black and white scanner offer you a number of customisable templates for the job settings of a copy or scan job. The scanner templates allow you to store your preferred job settings. To start a job you simply select a template on the scanner operator panel and press the green start key. Templates can be managed in the new Océ TDS700 Power Logic® controller application.

Integrated Océ TDS700 Power Logic® controller application

The Océ TDS700 Power Logic® controller application supports a centralised workflow. Only one application with a transparent and intuitive layout where you can perform many tasks based on user role defined access. Separate workspaces give you a full overview and full control on print and scan job management, but also allow you to manage your scanner templates, stamps, system preferences and network connectivity settings.

Océ Scan Logic®

The Océ TDS700 offers optional scan-to-file functionality for both the flexible colour and the productive black and white scanner. Documents are scanned then stored digitally. Ten customised scan destinations are supported. Scan jobs and scan destinations can be managed in the new Océ TDS700 Power Logic® controller application.

Adobe® PostScript® 3™/PDF

The Océ TDS700 fully supports Adobe® PostScript® 3™. For Japanese 5 extra fonts are optional. They can be enabled in Océ License Logic.

Network connectivity

The Océ TDS700 supports a number of popular network protocols. This means that it can be used in multiple networking environments such as TCP/IP, and Novell® Pserver (IPX/SPX). You can configure the system in the network via the Océ TDS700 Power Logic® controller application or via the printer operator panel in the Administrator menu.

Set processing

The Océ TDS700 supports set processing. This means that a job can consist of several files or originals. You can print or scan these files or originals multiple times and in sorted sets. The Océ TDS700 is equipped with a set memory for storing up to 250 A0s which allows for the creation of identical sets that are sorted either by page or by set.

Print and copy jobs

A print and copy job is a job sent to the Océ TDS700 printer from a user application (print job) or from the scanner (copy job). A print or copy job can consist of several sets, which in turn may consist of several pages. Sorting of a job can take place based on sets or on pages.

Spool memory

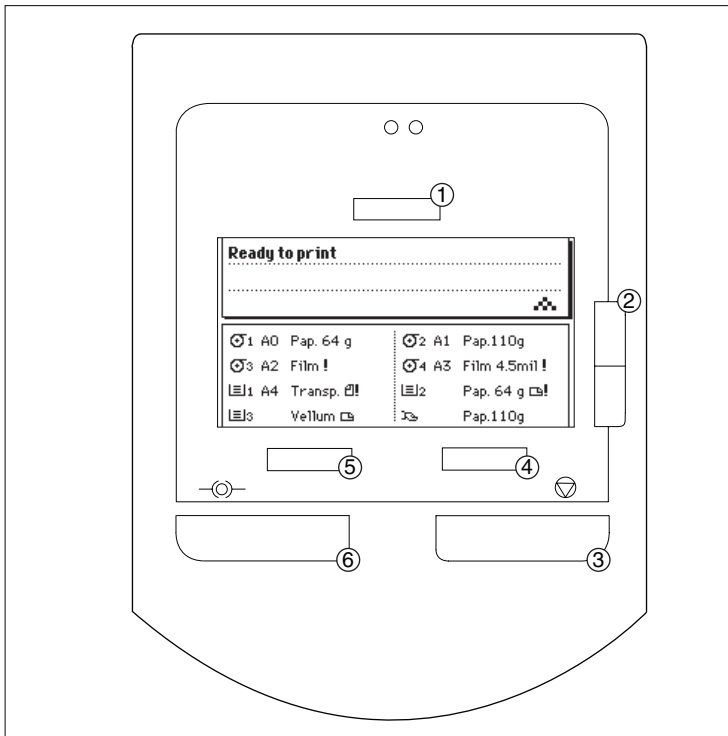
The Océ TDS700 has a spool memory which provides a queuing system for files you want to print. The spool memory allows multiple users to send print jobs to the Océ TDS700 simultaneously. The print jobs are then placed in the Scheduled jobs of the Océ TDS700 Power Logic® controller application where they will be printed. The job that is put first into the list of Scheduled jobs is printed first.

Job recovery

The Océ TDS700 is equipped with a job recovery function that safeguards users against data loss in case of a printer failure. After a restart, the data submitted to the printer before the crash will be automatically processed and printed. This means that jobs do not have to be re-submitted after a printer malfunction, thus saving valuable time for the users.

User interface on the Océ TDS700

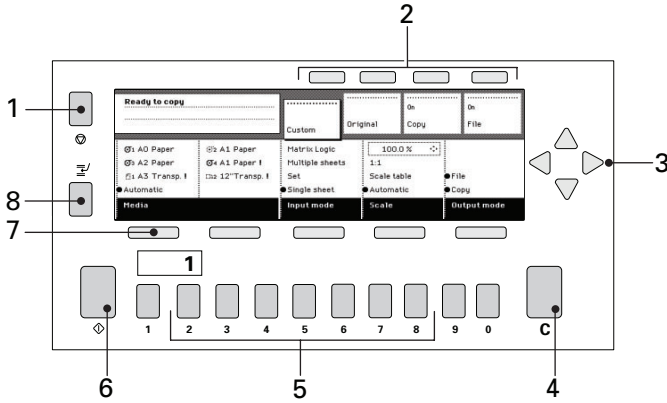
Printer operator panel



Nr	Component
1	Key operator key
2	Up/Down toggle key
3	Stop key
4	Right selection key
5	Left selection key
6	On-line key

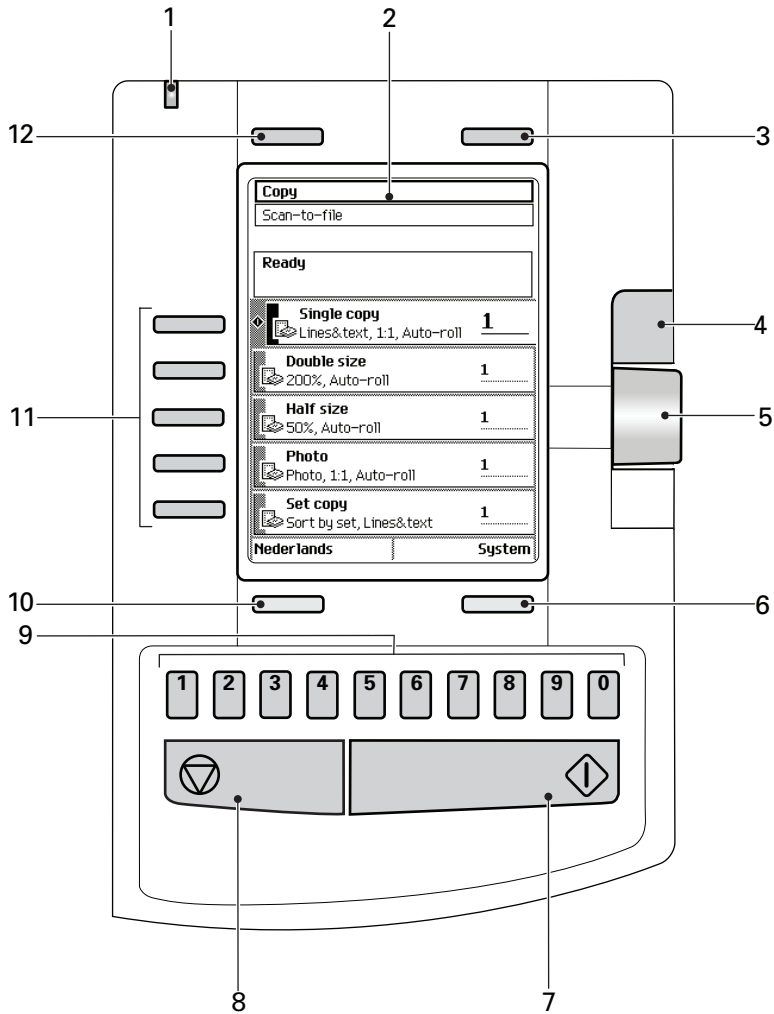
Scanner operator panel

Productive scanner



Nr	Component
1	Stop key
2	Selection keys
3	Arrow keys
4	Correction key
5	Numeric keys
6	Green start key
7	Function keys
8	Job interrupt key

Flexible scanner



Nr	Component
1	LED (green and red attention light)
2	Display
3	Upper softkey
4	Scroll wheel key
5	Scroll wheel
6	Lower softkey
7	Green start key

Scanner operator panel

Nr	Component
8	Stop key
9	Numeric keys
10	Lower softkey
11	Left softkeys
12	Upper softkey

Specifications


Specifications of the Océ TDS700

Introduction

The Océ TDS700 is a wide format, black and white, mid volume multi-functional printer with an optional productive black and white scanner or a flexible colour scanner. The Océ TDS700 offers a broad range of print, copy, and scan-to-file functionality.

The table below gives you more information on the performance of the system, the technical and safety requirements and general information regarding dimensions, weight, power consumption etc.

Printer

Technology	Electrophotographic LED head with organic photoconductor (OPC) drum and closed toner system
Print resolution	600dpi x 1200dpi
Print speed	<ul style="list-style-type: none"> ■ 6.0 m/min, 4.7 A0 portrait /min, 8.5 D-ARCH portrait/min, 9.1 D-ANSI portrait/min for Bulk material ■ 3.6 m/min for heavy materials
Media sources	Several possible configurations from 2 to 6 rolls, up to 3 sheetfeeders, and a manual sheet feed section (<i>see ‘Océ TDS700 printer only configuration’ on page 7</i>).
Output sizes	DIN and ANSI formats from A4 to A0 and 36”, up to 15 meters long
Media types	Plain, transparent, recycled, fluorescent and coloured papers; films and vellums
Output reception	Standard Integrated Receiving Tray (IRT) for 100 prints
Warm up time	None, instant behaviour
Electrical requirements	120/200/230 V, 50/60 Hz
Dimensions	<p>Printer</p> <ul style="list-style-type: none"> ■ Width: 1440 mm ■ Depth: 800 mm ■ Height: 1475 mm <p> Note: <i>Reduced footprint due to an integrated Océ Power logic® controller in the printer</i></p>
Weight	Default configuration: 290 kg

Safety approvals	TüV GS, CETECOM, CE, UL, (c)UL, CB, FCC Class B
Functionality	<ul style="list-style-type: none"> ■ Multiple prints: up to 999 ■ Automatic Language Sensing (ALS) ■ Optional climate control function to prevent the influence of humidity on print quality ■ Auto roll/cassette tray selection and switching ■ Print manipulation: auto positioning, rotation, auto scaling, shift, adding / removing leading and trailing strips, image inversion, horizontal mirroring, and copy stamping ■ File spooling on the controller ■ Set memory: send once, process once, print many ; capacity to store up to 250 A0s and create identical sets sorted by page or by set ■ Concurrent receiving, processing, printing, and finishing of digital jobs ■ Sophisticated local and remote user communication system ■ Improved job management and settings management ■ Improved scanner templates

Flexible scanner

Technology	<ul style="list-style-type: none"> ■ Optional console ■ Océ Image Logic® real-time image processing ■ 1 x Reduction type CCD camera
Scan speed (standard)	<p>Black&white</p> <ul style="list-style-type: none"> ■ 3 m/min. or 2 inch/sec. <p>Greyscale & Colour (STF capability)</p> <ul style="list-style-type: none"> ■ 1 m/min. or 0.7 inch/sec.
Scan speed (option)	<p>Black&white</p> <ul style="list-style-type: none"> ■ up to 5 m/min. or 3.3 inch/sec. <p>Greyscale & Colour</p> <ul style="list-style-type: none"> ■ up to 4 m/min. or 2.8 inch/sec.
Resolution	575 dpi
Camera	3 colour linear CCD 21360 Pixels 24 bits colour
Scan width	914.4 mm
Original feed	Right aligned
Original size	<p>Minimum</p> <ul style="list-style-type: none"> ■ 210 mm x 210 mm (L x W) <p>Maximum</p> <ul style="list-style-type: none"> ■ 6000 mm x 1016 mm (L x W).
Data format	<ul style="list-style-type: none"> ■ TIFF (uncompressed, Packbits, G3, G4 and LZW) ■ PDF (uncompressed, Flate, LZW and G4) ■ CALS
Maximum media thickness	1.5 mm
Scale method	<ul style="list-style-type: none"> ■ Scale to format. Scale range 25% - 400% (0.1% fixed step interval). ■ Custom scale. Scale range 10% - 1000% (0.1% fixed step interval). ■ Exact (1 to 1). No scaling.
Input mode	<ul style="list-style-type: none"> ■ Single sheet ■ Set
Number of copies	1 - 999 (scan once print many)

Colour space	sRGB
Image quality	<ul style="list-style-type: none"> ■ Original type selection (see '<i>Original types for the scanner</i>' on page 66) ■ Colour selection (Black&White / Grey / Colour) ■ Brightness lighter/darker ■ Image optimization for fine details or speed
Image editing	<ul style="list-style-type: none"> ■ Remove strips (leading/trailing/left/right) ■ Mirroring horizontal ■ Delete area
Other functionalities	<ul style="list-style-type: none"> ■ Pre-programming of next job ■ Programmable default settings ■ Synchro cut mode ■ Leading and trailing strip adjustment (0 mm - 400 mm) ■ Concurrent scanning and printing ■ Scan to file Black&White / Grey (option). ■ Scan to file Colour (option).
Interface	Firewire
Voltage	85-264 V
Frequency	47/63 Hz
Power consumption	In operation: < 105 W Standby: < 20 W
Dimensions	<ul style="list-style-type: none"> ■ Width: 1,300 mm ■ Depth: 650 mm ■ Height: 1,300 mm
Weight	70 Kg
Safety approvals	TüV GS, CE, UL, (c)UL, CB, EMC Directive 89/336/EEC, FCC

Productive scanner

Model	<ul style="list-style-type: none"> ■ Optional console ■ Optional: Original delivery tray
Technology	CCD, Océ Image Logic® real-time image processing hardware
Scan speed (standard)	5 linear metres per minute or approximately 4A0s per minute

Scan resolution	Scan resolution is 200 x 400 dpi (400 dpi in transport direction) in grey scale domain. Image logic converts the 200 dpi (CCD resolution) into 400dpi
Warm up time	None, the scanner has an instant start up behaviour.
Original feed	<ul style="list-style-type: none">■ Face down, right aligned■ Automatic feed off/on■ Rewind original to front off/on
Originals	<ul style="list-style-type: none">■ Automatic original size detection■ Image width: 210 - 914 mm■ Original width: 210 - 1020 mm■ Original length:150 mm - 15 m
Data format	<ul style="list-style-type: none">■ TIFF (uncompressed, Packbits, G3, G4 and LZW)■ PDF (uncompressed, Flate, LZW and G4)■ CALS
Maximum thickness	1 mm
Exposure control	<ul style="list-style-type: none">■ Automatic Background Compensation (ABC)■ Background Correction BC■ Monochrome image are produced by halftoning (Error diffusion, dithering)■ Automatic, manual fine adjustment■ Special modes: Lines & Text (default), Photo, Greys & lines, Dark Original, Blueprint, Printed matter■ Bold function to enhance thin lines
Media selection	Manual or automatic, based on original size (autodetect) and scale factor
Reproduction scale	<ul style="list-style-type: none">■ Scale: 25% - 400% (adjustable in 1% and 0.1% steps)■ Programmable fixed steps■ Auto scale to paper size■ Scale table with pre-defined media size conversions
Input mode	<ul style="list-style-type: none">■ Single sheet■ Set (sets processing/set collation)■ Multiple sheets
Number of copies	1 - 999 (scan once print many)

Other operating functions	<ul style="list-style-type: none"> ■ Concurrent scanning and printing ■ Scan to file Black&White ■ Pre-programming of next job ■ Programmable scanner templates ■ Programmable custom card ■ Automatic roll selection ■ Automatic reduction/enlargement ■ Standard cut, synchro cut and custom cut modes ■ Leading and trailing strip adjustment (up to +/- 400 mm) ■ Two languages available on scanner operator panel
Image quality	<ul style="list-style-type: none"> ■ Original type selection (<i>see 'Original types for the scanner' on page 66</i>) ■ Bold, enhancement of fine lines ■ Brightness, lighter/darker ■ Automatic Background compensation
Image editing	<ul style="list-style-type: none"> ■ Image align: Horizontal left, middle, right ■ Image align: Vertical top, centre, bottom ■ Image shift: horizontal/vertical ■ Image mirroring
Voltage	230 V
Frequency	50/60 Hz
Power consumption	In operation: < 200 W Standby: < 12 W
Dimensions	<ul style="list-style-type: none"> ■ Width: 1,314 mm ■ Depth: 583 mm ■ Height: 1,353 mm
Weight	90 Kg
Safety approvals	TüV GS, CETECOM, CE, UL, (c)UL, CB, FCC

Specifications Océ Power Logic® controller

Océ Power Logic® controller hardware

Platform	Océ controller with Windows® XP embedded
Memory	512 Mb, expandable to 1024 Mb for productive scanner 1024 Mb for flexible scanner
Hard disc capacity	80 Gb. Two high speed hard discs, one dedicated to file spooling and one for set memory
Graphical user interface	None, optional keyboard, mouse and monitor
Standard interface	10/100BaseT with RJ45
Optional interfaces	10/100BaseT with RJ45
Network protocols	TCP/IP, SMB (for scan-to-file only), IPX/SPX, FTP, LPD
Power consumption	Controller: < 100 W
Electrical requirements	100-120 / 230 V, 50/60 Hz
Applicable software	Océ Power Logic® controller software

Océ Power Logic® controller software

The Océ Power Logic® controller software consists of a basic module and a print module.

[45] Basic module

Basic functions	File spooling on the controller. Concurrent receiving, processing and printing of digital jobs.
Basic applications	<ul style="list-style-type: none"> ■ Océ TDS700 Power Logic® controller application, one integrated application for print job management, scan job management, system status management, scanner templates, system preferences and network configuration. ■ Océ TDS700 Power Logic® controller Remote ■ Océ Print Exec® Workgroup Basic ■ Océ View Station LT
Optional	<ul style="list-style-type: none"> ■ Océ Account Center ■ Océ Matrix Logic® ■ Océ Scanner Templates ■ Océ Copy Stamping ■ Océ Scan Logic® ■ Océ Scan Logic® Basic ■ Océ High speed Logic ■ Océ Colour Logic

[46] Print module

(1 – 2)

Print processing technology	Océ Image Logic
Number of prints	1 - 999 Set memory: send once, process once, print many
Roll selection and switching	Manual Automatic
Print manipulation	Rotation Auto-scaling Positioning Pen management Trailing strip adjustment; add up to 400 mm
Colour modes	Flexible scanner only <ul style="list-style-type: none"> ■ Black and white ■ Greyscale (STF capability) ■ Colour (STF capability)

[46] Print module

(2 – 2)

Quality modes	Productive scanner only <ul style="list-style-type: none">■ Standard■ Lines & Text■ Poster
Language sensing	Automatic Language Sensing (ALS)
Standard file formats	<ul style="list-style-type: none">■ Vector: HP-GL, HP-GL/2, Calcomp■ Raster: HP-RTL, TIFF 6.0, CALS-I, NIRS, C4, ASCII, JPEG
Cut length	<ul style="list-style-type: none">■ Standard cut■ Synchro cut■ Custom cut
Optional	Adobe® PostScript 3™ PDF printing

Specifications Océ Scan Logic®

Flexible scanner

Océ Scan Logic® offers you a flexible growth path with functionality designed to answer your (future) needs for productivity, quality and advanced functionality.

Application	Scan jobs workspace, part of the Océ TDS700 Power Logic® controller application, integrated scanning solution with Océ View Station LT.
Scan destinations	<p>Maximum of 10 destinations.</p> <ul style="list-style-type: none"> ■ Scan to the local controller ■ Scan to a Microsoft® Windows network location with Server Message Block (SMB) ■ Scan to an internet location with File Transfer Protocol (FTP)
Resolution	72, 150, 200, 300, 400, and 600 dpi.
Supported PDLs	<ul style="list-style-type: none"> ■ HP-GL ■ HP-GL/2 (includes HP-RTL) ■ CalComp 906/907/(951) ■ TIFF 6.0 ■ NIRS ■ C4 ■ Adobe certified PostScript level 3 (Option) ■ Adobe certified PDF 1.6 (Option) ■ CALS-I ■ JPEG
Available file organization types for TIFF files	<ul style="list-style-type: none"> ■ RAW ■ Striped ■ Tiled
Available compression for PDF file type with JPEG compression	<ul style="list-style-type: none"> ■ Maximum (low compression, excellent quality) ■ High ■ Medium ■ Low (high compression, low quality)

<p>Available file compression methods</p>	<p>TIFF file format</p> <ul style="list-style-type: none"> ■ None (uncompressed) ■ Group 3 2D ■ Group 4 ■ Packbits ■ LZW. <p>PDF file format</p> <ul style="list-style-type: none"> ■ JPEG compression ■ Group 4 ■ Flate ■ LZW. <p>CALS-I file format</p> <ul style="list-style-type: none"> ■ Group 4.
<p>Available colour depths</p>	<p>TIFF file format</p> <ul style="list-style-type: none"> ■ Black & white, 1 bit per pixel ■ Greyscale, 8 bits per pixel ■ RGB, 24 bits per pixel. <p>PDF file format</p> <ul style="list-style-type: none"> ■ Black & white, 1 bit per pixel ■ Greyscale, 8 bits per pixel ■ RGB, 24 bits per pixel. <p>CALS-I file format</p> <ul style="list-style-type: none"> ■ Black & white, 1 bit per pixel.
<p>Scan mode</p>	<p>Single scan</p>
<p>File naming</p>	<p>Automatically generate unique file names for each scan.</p>
<p>Viewing</p>	<p>View scans at point of scanning.</p>
<p>Océ Image Logic®</p>	<p>The best scan quality for different image types.</p>
<p>Ease of use</p>	<p>Green key principle Scanner templates Scan to file from the scanner operator panel. Scan directly to a local or a remote destination.</p>
<p>Requirements</p>	<p>Océ TDS700 Power Logic® controller and Océ TDS700 Power Logic® controller Remote to have access to the system.</p>
<p>Options</p>	<p>Océ View Station for editing and enhancement of scanned documents Océ Batch Processor for automated editing.</p>

Productive scanner

Application	Scan jobs workspace, part of the Océ TDS700 Power Logic® controller application, integrated scanning solution with Océ View Station LT.
Scan destinations	<p>Maximum of 10 destinations.</p> <ul style="list-style-type: none"> ■ Scan to the local controller ■ Scan to a Microsoft® Windows network location with Server Message Block (SMB) ■ Scan to an internet location with File Transfer Protocol (FTP)
Resolution	200, 300, 400 dpi.
Supported PDLs	<ul style="list-style-type: none"> ■ HP-GL ■ HP-GL/2 (includes HP-RTL) ■ CalComp 906/907/(951) ■ TIFF 6.0 ■ NIRS ■ C4 ■ Adobe certified PostScript level 3 (Option) ■ Adobe certified PDF 1.6 (Option) ■ CALS-I
Available file organization types for TIFF files	<ul style="list-style-type: none"> ■ RAW ■ Striped ■ Tiled.
Scan modes	Single scan, stream feed productive batch scanning.
File naming	Automatically generate unique file names for each scan.
Viewing	View scans at point of scanning.
Océ Image Logic®	Optimum scan quality with six special original modes.
Ease of use	<p>Green key principle</p> <p>Scanner templates</p> <p>Scan-to-file from the scanner operator panel.</p> <p>Scan directly to a local or a remote destination.</p>
Requirements	Océ TDS700 Power Logic® controller and Océ TDS700 Power Logic® controller Remote to have access to the system.
Options	<p>Océ View Station for editing and enhancement of scanned documents</p> <p>Océ Batch Processor for automated editing.</p>

Specifications drivers and job submission software

Océ drivers

Software environment	Required printer driver	Description
AutoCAD® 14 (for Windows)	ADI Plotter Driver for AutoCAD® 14	The driver allows you to plot from the AutoCAD® R14 application for Windows® 95, Windows® 98, Windows® ME, Windows® NT to Océ printers.
HDI AutoCAD® 2000 family	AutoCAD® 2000 family HDI drivers	The drivers allow you to plot from the AutoCAD® 2000, 2000i, 2002, 2004, 2005 and 2006 based applications to Océ printers.
Graphical application software	Océ TDS/TCS Adobe® Postscript 3 Drivers	The drivers allow you to print from a Windows 95®, Windows 98®, Windows ME®, Windows NT®, Windows 2000®, Windows XP®, Macintosh MacOS 8.6/9.x or Macintosh Mac OS X application to an Océ TDS300, Océ TDS400 Océ TDS400-CS , Océ TDS600, Océ TDS700, Océ TDS800 or Océ TCS400 wide-format printer.
	Océ Windows Printer Driver (TDS), 32 bits and 64 bits	This driver is a mixed raster-vector HP-GL/2 printer driver that allows you to print from any application under Windows NT 4.0, Windows 2000, Windows XP or Windows Server 2003 to your Océ TDS systems.
	Océ Windows Raster Driver (TDS)	The driver allows you to print from a Windows 98®, Windows ME®, Windows NT 4.0®, Windows 2000®, Windows XP® or Windows Server 2003® application to an Océ TDS400, Océ TDS600, Océ TDS700 or an Océ TDS800 wide format printer.
	Océ PostScript® 3 driver	The driver allows you to print from Adobe applications and supports PDF and Adobe.
	Adobe Japanese fonts	Optional
	Adobe Chinese fonts (traditional, simplified)	Optional



Note: Visit Océ on the internet at www.oce.com for the latest information.

Optional application software

Function	Application software
Print job submission	<ul style="list-style-type: none"> ■ Océ Print Exec® Pro ■ Océ Print Exec® Workgroup Full ■ Océ Print Exec® Department ■ Océ Repro Desk®
Advanced copy job submission	Océ Matrix Logic®
Viewing of scanned jobs	<ul style="list-style-type: none"> ■ Océ View Station® LT ■ Océ View Station & Batch Processor
Account data collection	Océ Account Center
License management	Océ License Logic®

Software configurations

The software configurations mentioned in the table below describe the possibilities you have to tailor the Océ TDS700 solution to your needs.

Océ TDS700 licenses	Océ TDS700 flexible colour scanner	Océ TDS700 productive black and white scanner
<ul style="list-style-type: none"> ■ Océ TDS700 Power Logic® Controller ■ Océ TDS700 Advanced Queue Management ■ Océ Print Exec® Workgroup Basic ■ Océ Copy for TDS700 	Base license	Base license
Océ Account Logic	Optional	Optional
Adobe® PostScript® 3 / PDF Adobe®	Optional	Optional
Japanese PostScript® Adobe®	Optional	Optional
Traditional Chinese PostScript® Adobe®	Optional	Optional
Simplified Chinese PostScript®	Optional	Optional
Océ Advanced Security	Optional	Optional
Océ Double Decker Pro	Optional	Optional
Océ Copy Stamping for TDS700	Optional	Optional
Océ Scan Logic® Basic for TDS700	Optional	Optional
Océ Scan Logic® for TDS700	Optional	Optional
Océ Scanner Templates for TDS700	Optional	Optional
Océ Print Exec® Workgroup	Optional	Optional
Océ Matrix Logic® for TDS700 Pro	-	Optional
Océ High Speed Logic for TDS700 Flex	Optional	-
Océ Colour Logic for TDS700 Flex	Optional	-

Index

- A**
- Access Océ Account Logic 76
 - Account Logic
 - Access 76
 - Adobe 73, 103
 - Anonymous user 52, 79, 92
- B**
- Basic copy job 24
 - Basic scan-to-file job 26
 - Belt unit 10
- C**
- CAD manager 42
 - Common user 52, 79, 92
 - Components
 - Finishing options 10
 - Concept of the Printed jobs 61
 - Concept of the Scheduled jobs 59
 - Concept of the templates on the flexible scanner 22, 64
 - Concept of the Waiting jobs 60
 - Configuration 94
 - Controller
 - Software
 - Specifications 116
 - Start up 16
 - Controller Hardware
 - Specifications 116
 - Copy functionality 72, 102
 - Copy jobs
 - Basic copy job 24
 - CRD manager 44
- D**
- Drivers 122
- F**
- Facility manager 70
 - Finishing options 10
 - Belt unit 10
 - Folder 10
 - Reinforcement unit 10
- Flexible scanner**
- Do a basic copy job 24
 - Do a basic scan-to-file job 26
 - Original types 66
 - Specifications 109
 - Folder 10
- G**
- Green key principle 72, 102
- H**
- How to copy on the flexible scanner 24
 - How to copy on the productive scanner 25
 - How to print a drawing 28, 48
 - How to scan-to-file on the flexible scanner 26
 - How to scan-to-file on the productive scanner . . 27
- I**
- Integrated Power Logic controller application .. 72, 102
- J**
- Japan support 72, 102
 - Job history
 - Properties Printed jobs 61
 - Job recovery 74, 104
- K**
- Key operator 53, 80, 92
- L**
- Load media 29
 - Load rolls of media 29
 - Load the media 30

M		Original types	66
Media	29	Specifications	109
N		R	
Network administrator	88	Refill the toner	33
Network connectivity	73, 103	Reinforcement unit	10
		Replace the waste toner container	36
		Repro operator	53, 80, 92
O		S	
Océ Account center		Scan logic	73, 103
Administrator	76	Scanner templates	72, 102
Bookkeeper	76	Scan-to-file jobs	
Users	76	Basic scan-to-file job	26
Océ Power Logic® controller		Scheduled jobs	57, 59
Optional applications	54, 81, 124	Options	59
Océ Print Exec® Workgroup Basic	49	Scheduled jobs properties	
On/Off behaviour printer	16	Copy job priority	59
Operator panel		Set processing	73, 103
Flexible scanner	107	Software configurations	54, 81, 124
Productive scanner	106	Specifications	
Optional software applications	54, 81, 124	Controller Hardware	116
Optional workspaces	54, 81, 124	Controller	
Océ Account Logic®	54, 81, 124	Software	116
Océ Matrix Logic®	54, 81, 124	Drivers	122
Options in the Printed jobs	61	Flexible scanner	107, 109
Options in the Scheduled jobs	59	Optional application software	123
Options in the Waiting jobs	60	Printer	109
Original types for the scanner	66	Productive scanner	106, 109
Overview	75	Scanner operator panel	106
TDS700 printer	7	Specifications flexible scanner	
		Océ Scan Logic®	119
 		Specifications productive scanner	
P		Océ Scan Logic®	121
Paper roll drawers and sheet feeder configuration	7	Spool memory	73, 103
Print		System administrator	53, 80, 93
Océ Print Exec® Workgroup Basic	49		
Print a drawing	28, 48	T	
Print and copy jobs	73, 103	Templates	
Print jobs	57	flexible scanner	22, 64
Printed jobs	57	Productive scanner	23, 65
Options	61	The components of the Océ Double Decker (Pro) 11	
Printer		The Océ TDS700 users	52, 79, 91
Specifications	109	Toner	
Printer configuration	72, 102	Refill	33
Printer operator panel	105	Toolbar options in the Scheduled jobs	59
Productive scanner		Enter Interrupt / Exit interrupt	59
Basic copy job	25		
Basic scan-to-file job	27		
Do a basic copy job	24		
Do a basic scan-to-file job	26		

Move to top	59
Properties	59
Scheduled jobs properties	59
To Waiting jobs	59
Toolbar options of the Waiting jobs	
Delete	60
Print	60
Properties	60
Toolbar options Printed jobs	
Delete	61
Print	61
Properties	61
Turn on	
Controller	16
Printer	16
Scanner	16
Turn on and off	16
Turn on and off the controller	19
Turn on and off the flexible scanner	20
Turn on and off the folder	21
Turn on and off the Océ Double Decker (Pro) ..	21
Turn on and off the printer	18
Turn on and off the productive scanner	20

U

User roles	
Océ Account center	76

W

Waiting jobs	57
Options	60
Walk-up user	14
Waste toner container	
Replace	36
Workflow	76

Free Manuals Download Website

<http://myh66.com>

<http://usermanuals.us>

<http://www.somanuals.com>

<http://www.4manuals.cc>

<http://www.manual-lib.com>

<http://www.404manual.com>

<http://www.luxmanual.com>

<http://aubethermostatmanual.com>

Golf course search by state

<http://golfingnear.com>

Email search by domain

<http://emailbydomain.com>

Auto manuals search

<http://auto.somanuals.com>

TV manuals search

<http://tv.somanuals.com>