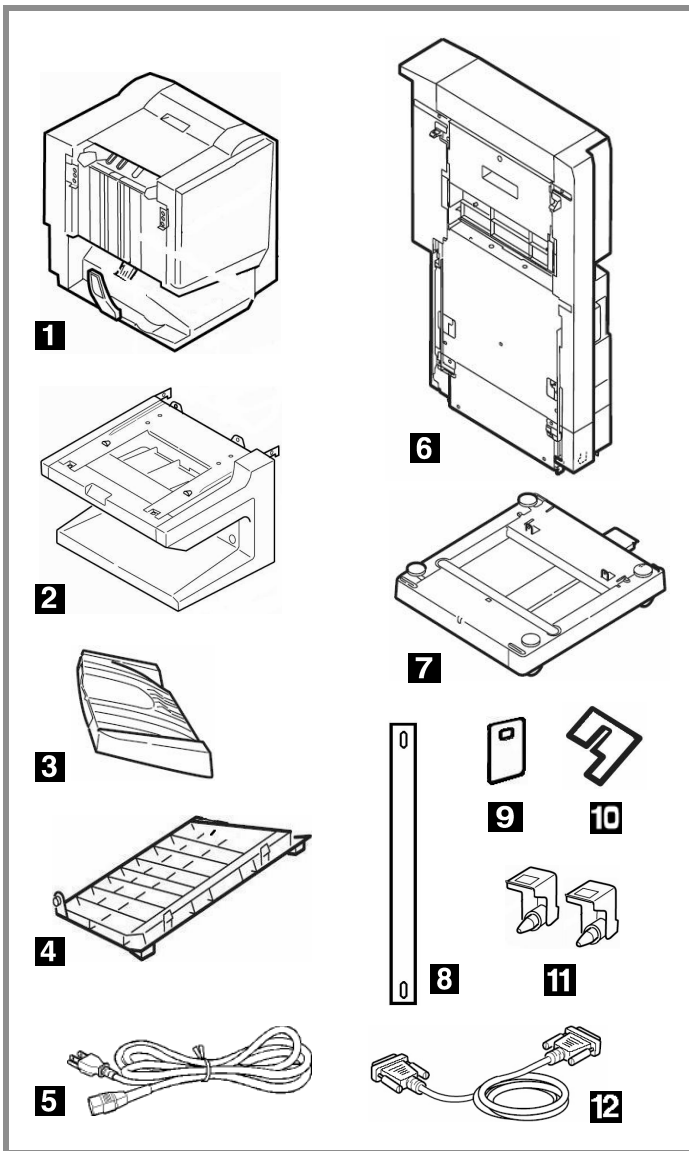


# Finisher Unit Installation Guide

## Components

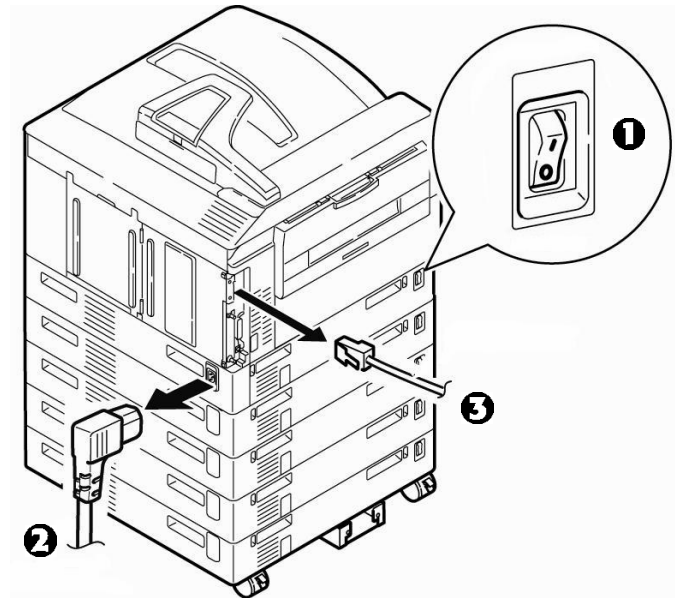


- |                    |                                |
|--------------------|--------------------------------|
| 1 Finisher Unit    | 7 Inverter Stand               |
| 2 Finisher stand   | 8 Clear Band                   |
| 3 Finisher Stacker | 9 Band Stopper, Small          |
| 4 Finisher Cover   | 10 Band Stopper, Large         |
| 5 Power Cord       | 11 Metal Brackets              |
| 6 Inverter Unit    | 12 Cable (inverter to printer) |

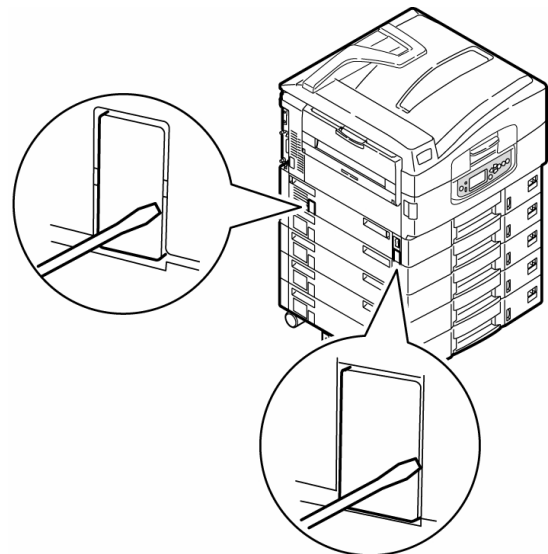
Not illustrated: Screws

## Step 1: Prepare the Printer

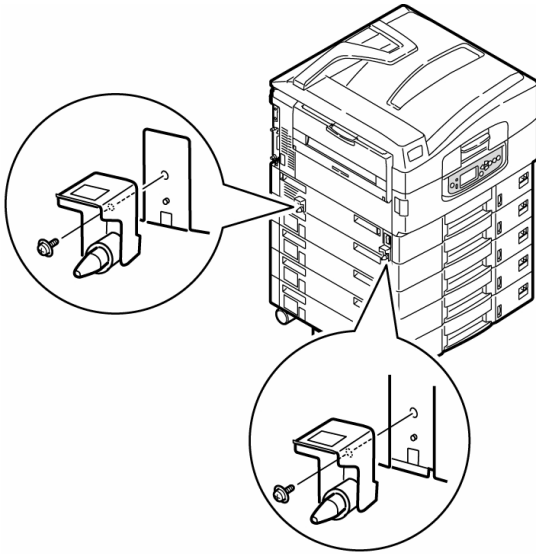
1. Turn the printer off (1) and disconnect the power cord (2) and interface cable (3).



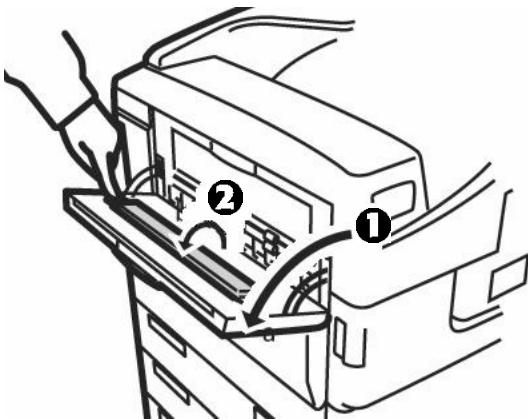
2. Using a screwdriver, remove the breakout panels on the side of the printer.



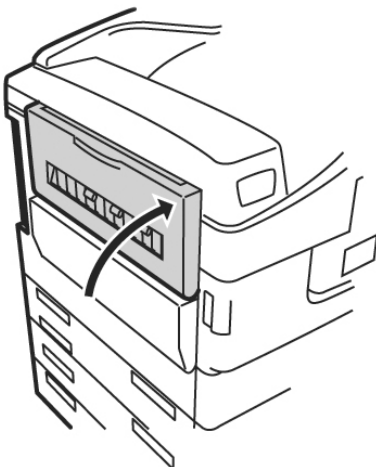
3. Install the metal brackets where the breakout panels were.



4. Open the face-up stacker (❶), then open the flap and press it onto the stacker surface (❷).



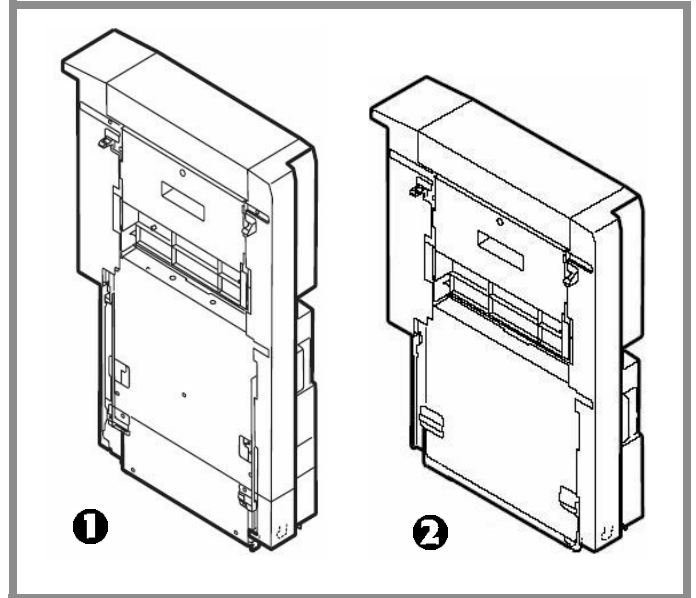
5. Close the stacker.



## Step 2: Prepare the Inverter

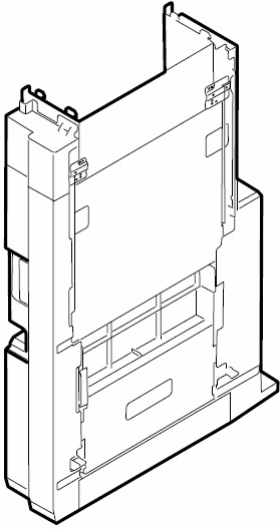
Before assembling the finisher, you must adjust the height of the inverter unit to match the finisher:

- ❶ Inverter as supplied
- ❷ Inverter changed for use with 4-tray finisher.

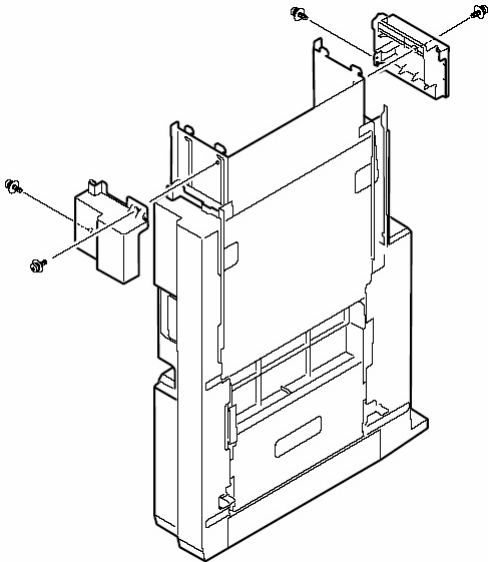


1. Unpack the inverter and remove any packing materials.

2. Remove the two bottom caps:  
a. Turn the inverter over.

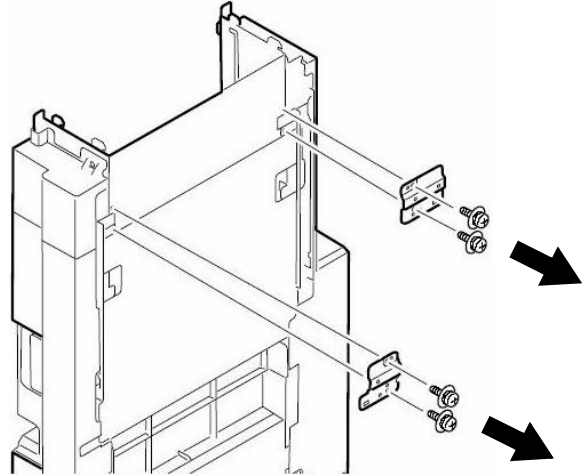


- b. Remove the two screws securing the bottom caps on either side of the inverter.

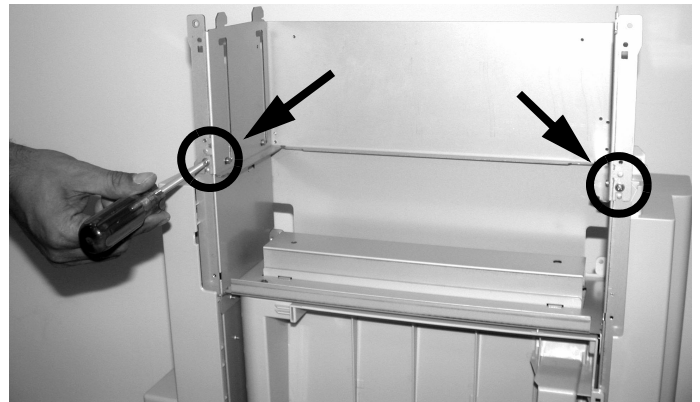


- c. Remove the end caps and store them along with the four screws in case you ever need to convert the unit back.

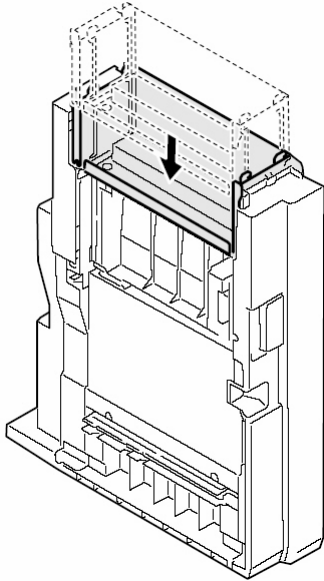
3. Turn the inverter around and remove the screws holding the metal brackets in place. Keep the screws and brackets handy: they are used to help secure the extension plate once it is repositioned.



4. Turn the inverter around and remove the two screws holding the extension plate. Keep them handy to reattach the plate once it is repositioned.



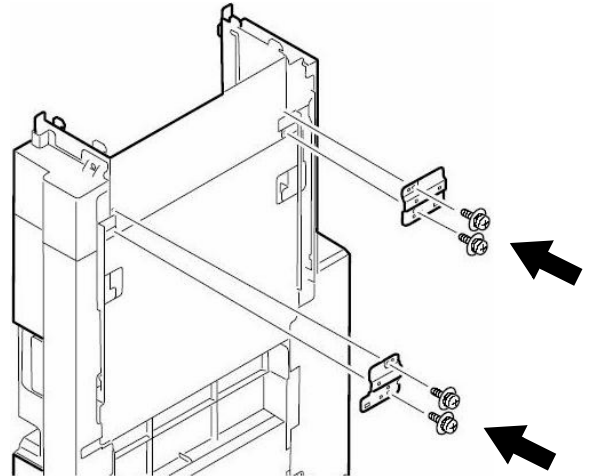
5. Pull forward on the extension plate to disengage the pins from the top channel stops, then slide it down into the inverter and push back to engage the pins on the bottom channel stops.



6. Reattach the extension plate using the screws you removed earlier.

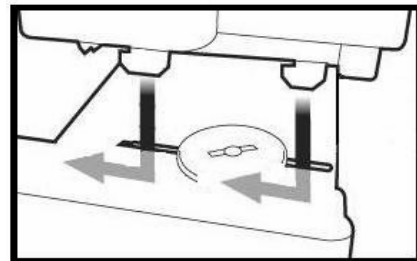
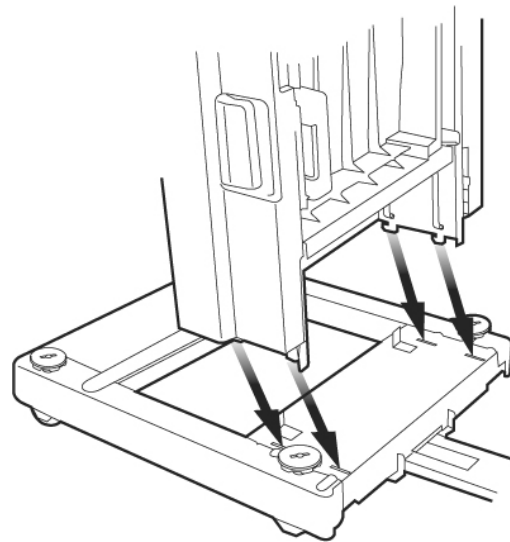


7. Turn the inverter around and reinstall the brackets.

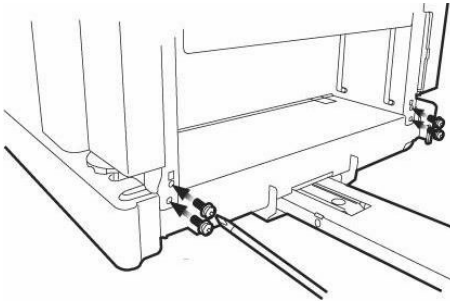


### Step 3: Assemble the Inverter

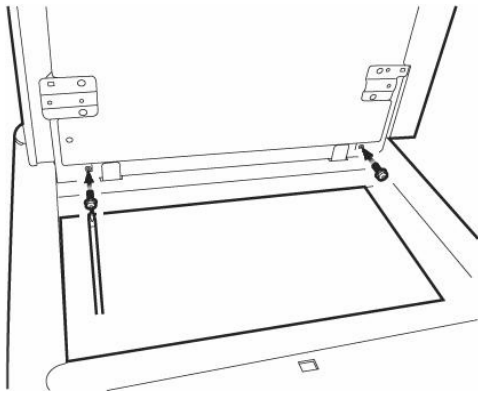
1. Place the hooks on the bottom of the inverter into the slots on the inverter stand, then slide the inverter to lock the hooks in place.



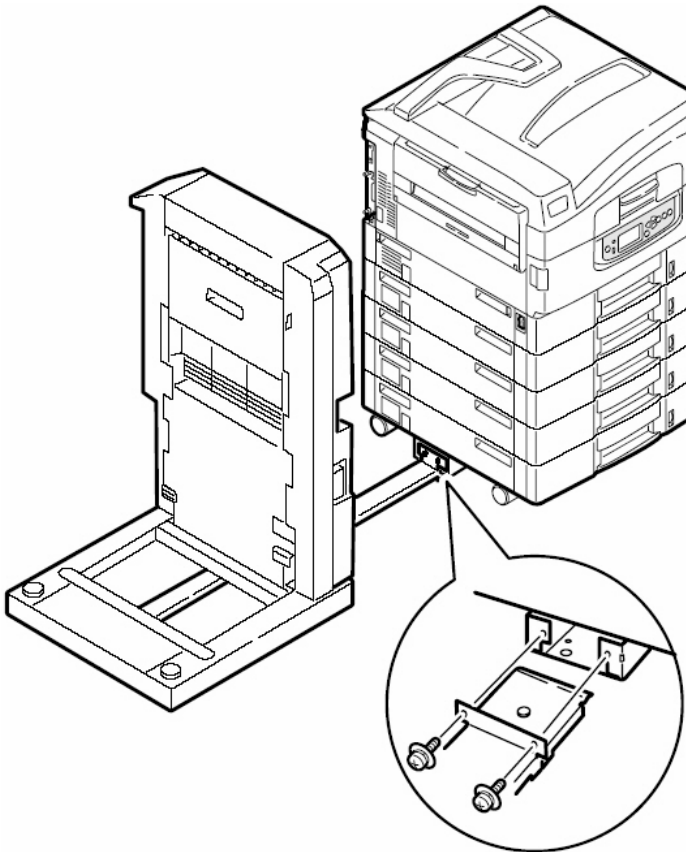
2. Attach the front of the inverter to the stand using two screws on either side.



3. Attach the back of the inverter to the stand using one screw on either side.

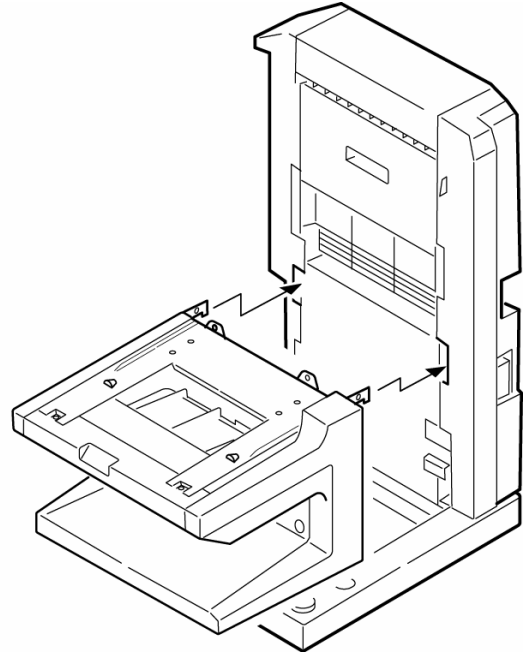


4. Attach the guard rail on the inverter stand to the printer using 2 screws.

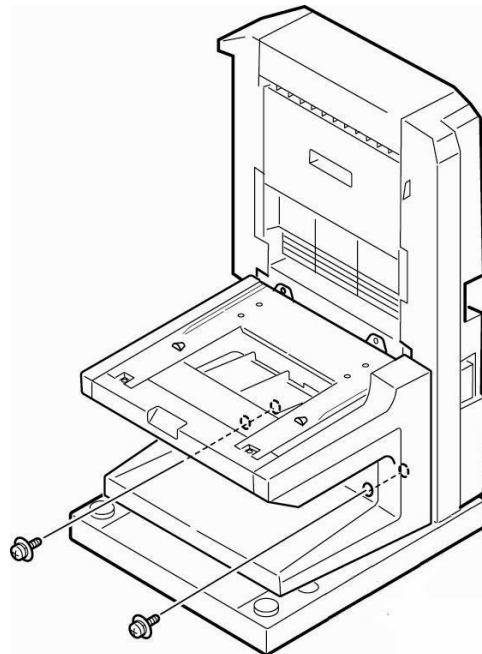


## Step 4: Assemble the Finisher

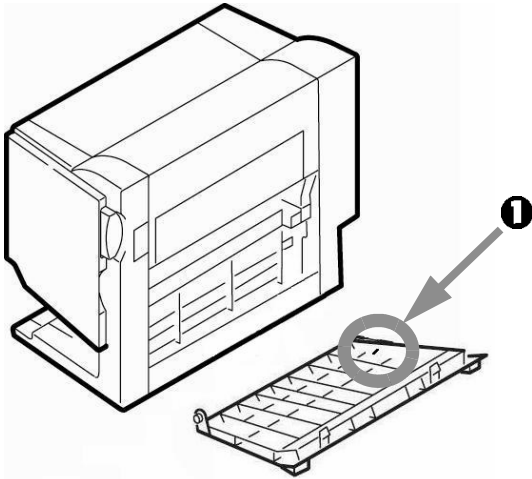
1. Hook the finisher stand onto the inverter.



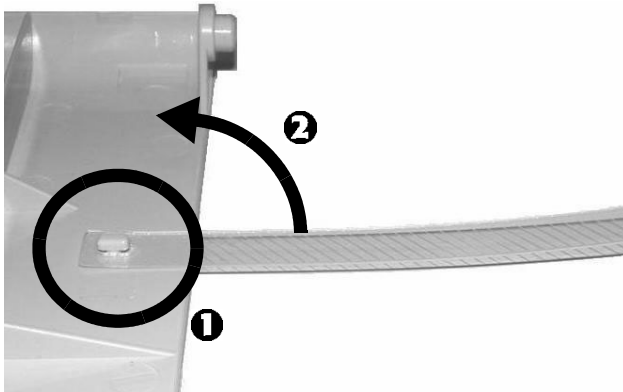
2. Attach the finisher stand to the inverter with 2 screws.



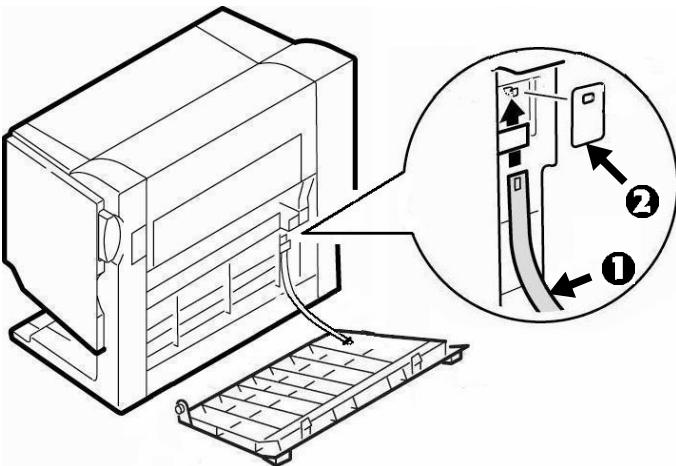
3. Place the finisher cover near the back of the finisher. Locate the tab (1) on the right side of the cover.



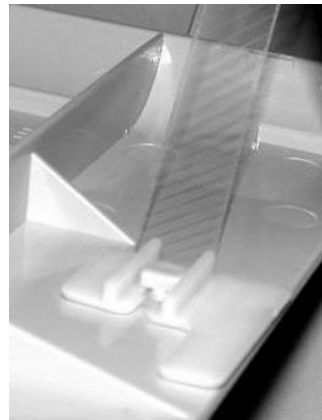
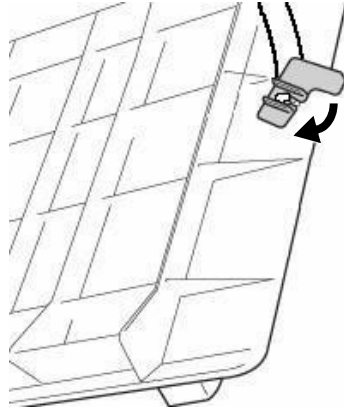
4. Hold the clear band perpendicular to the cover and slip one end over the tab (1), then pivot the band 90 degrees (2) so that it is aimed toward the finisher:



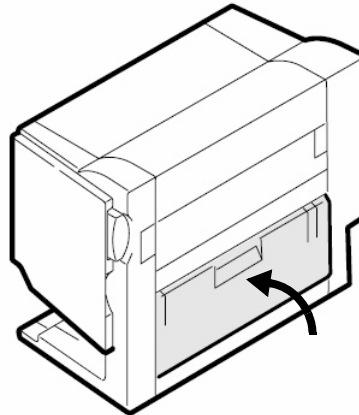
5. Slip the other end of the band (1) through the retainer on the finisher and secure it with the small stopper (2).



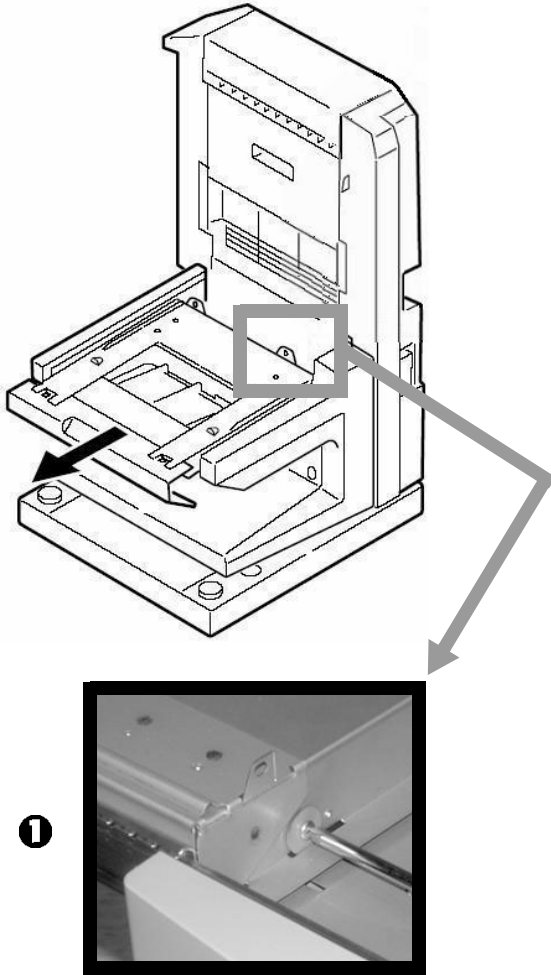
6. Place the large stopper over the tab on the cover and turn it to lock it in position.



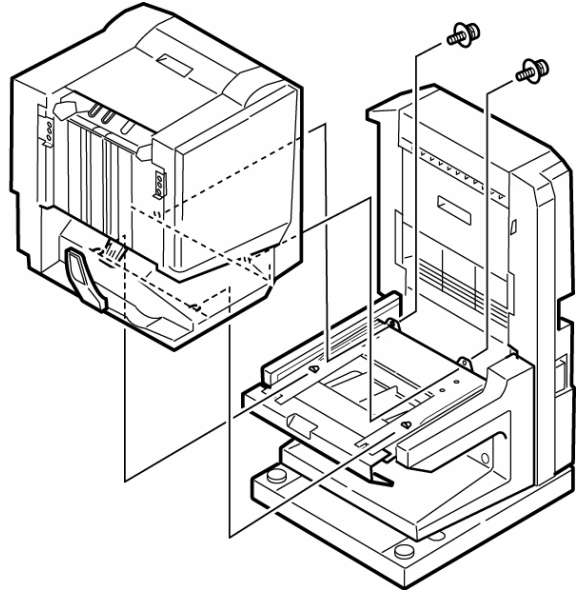
7. Attach the cover to the finisher and close it.



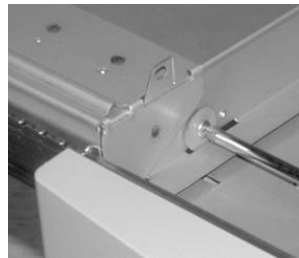
8. Pull the finisher platform about half way out, then loosen the screw on the locking piece (❶: viewed from the opposite direction) so that it drops through the slot below it. This keeps the platform from moving while you attach the finisher to it.



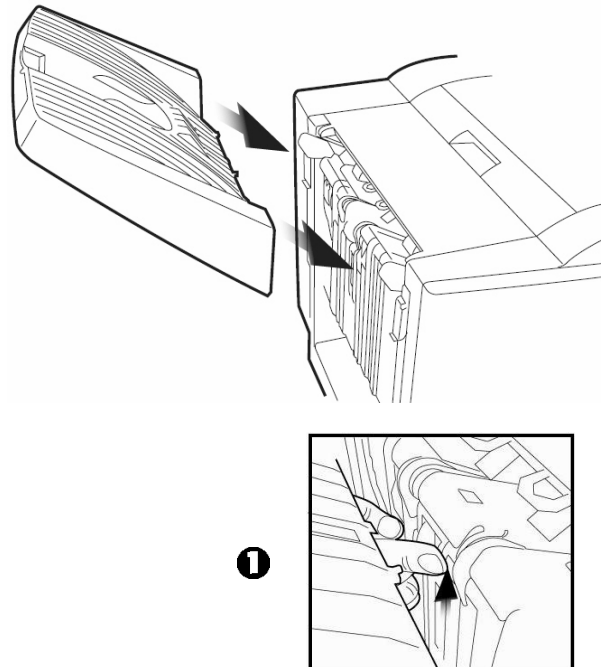
9. Position the finisher on the stand and attach it with two screws from the back.



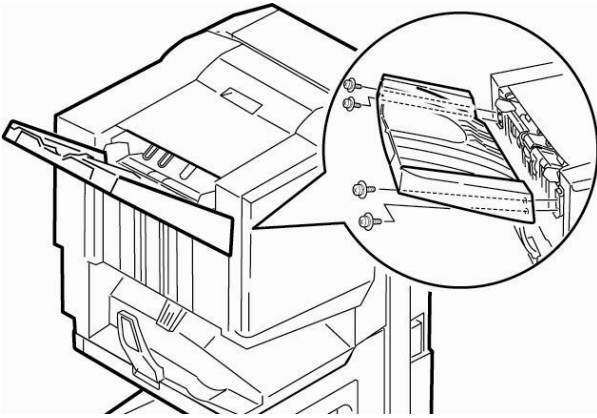
10. Lift the locking piece back up and tighten the screw firmly. Be sure it's out of the way and the screw is tight—otherwise the platform will not move freely.



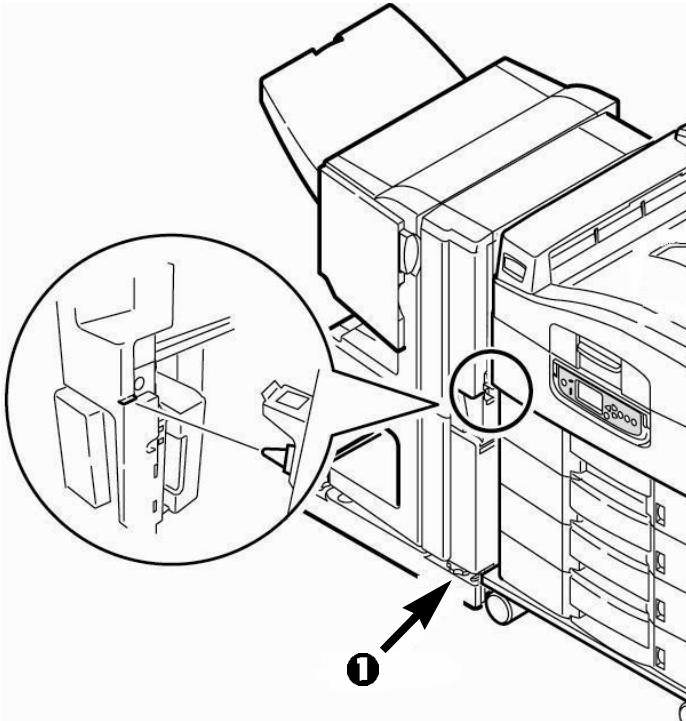
11. Install the stacker, making sure the hooks are firmly engaged and that the lever on the finisher is positioned above the stacker (❶).



12. Secure the stacker with four screws.



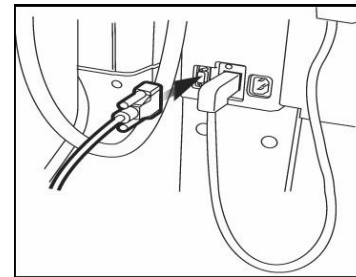
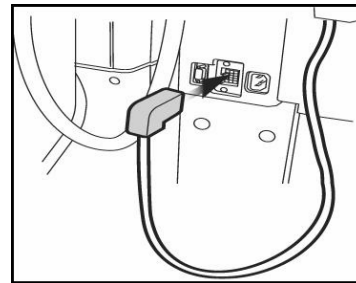
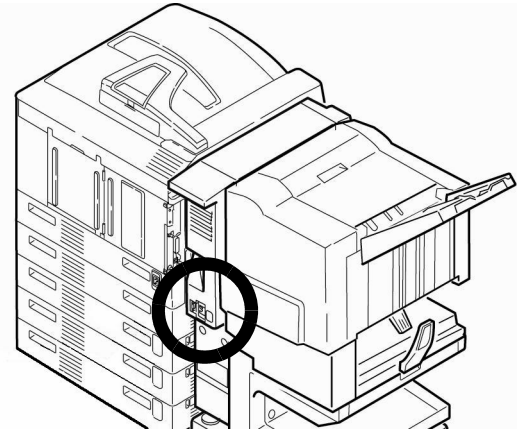
13. Push the finisher against the printer until the prongs on the printer brackets fit into the holes in the finisher.



**Note:** If you need to, turn the levellers (1) on either side of the finisher to raise or lower it so the holes and prongs align properly. Make sure the finisher is level.

## Step 5: Make Connections

1. Connect the finisher's cable to the inverter (1). Use the cable supplied to connect the inverter to the printer (2).



2. Plug the power cord supplied into the inverter, then connect it to a suitable grounded outlet.
3. Reconnect the printer's interface cable.
4. Plug in the printer's power cord and turn on the printer.

**Note:** When the printer is turned on, power is supplied to both the printer and the finisher.



## Free Manuals Download Website

<http://myh66.com>

<http://usermanuals.us>

<http://www.somanuals.com>

<http://www.4manuals.cc>

<http://www.manual-lib.com>

<http://www.404manual.com>

<http://www.luxmanual.com>

<http://aubethermostatmanual.com>

Golf course search by state

<http://golfingnear.com>

Email search by domain

<http://emailbydomain.com>

Auto manuals search

<http://auto.somanuals.com>

TV manuals search

<http://tv.somanuals.com>