



www.oliverisinks.com



Model No:  
**883U & 884U**  
 DOWN UNDER MOUNT SINK



INCLUDED ACCESSORIES



AC09 Basket Waste x 1

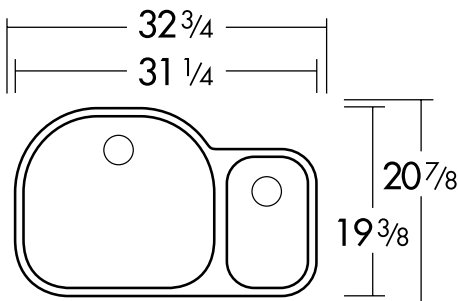


AC75 Basin Protector



Undermount CAD files (DXF & DWG format) can be downloaded from our web site [www.oliverisinks.com](http://www.oliverisinks.com)

Model No. **883U**  
 DIMENSIONS

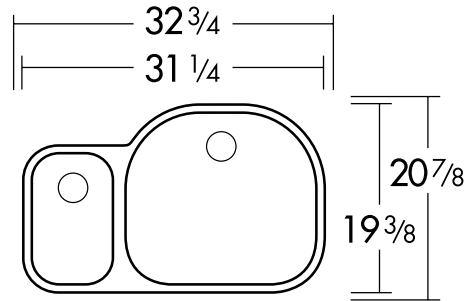


**Super Basin**  
 20 x 18 x 10" deep  
 12.7 Gallon Capacity



**Mini Basin**  
 8 1/2 x 13 3/4 x 6" deep  
 2.4 Gallon Capacity

Model No. **884U**  
 DIMENSIONS



**Super Basin**  
 20 x 18 x 10" deep  
 12.7 Gallon Capacity



**Mini Basin**  
 8 1/2 x 13 3/4 x 6" deep  
 2.4 Gallon Capacity

MATERIAL	CONSTRUCTION	SHIPPING WEIGHT	INSTALLATION METHOD	CABINET
Stainless Steel 304 Grade 18 Gauge	Individual bowls welded into rim	(Packed) 26.5 lb	Includes Template and Installation Clips  Designed to be under-mounted into a solid surface counter	Minimum 36"



Head Office & Manufacturing Plant  
 Tasman Sinkware Pty Ltd  
 51 Naween Road, Regency Park  
 South Australia 5010 AUSTRALIA

US Office  
 PO Box 11120  
 Wilmington NC 28405  
**Email contact**  
[tasmansink@aol.com](mailto:tasmansink@aol.com)

Manufactured in Australia to highest quality standards. Tasman Sinkware is Quality Endorsed to ISO 9001-2000.

## Free Manuals Download Website

<http://myh66.com>

<http://usermanuals.us>

<http://www.somanuals.com>

<http://www.4manuals.cc>

<http://www.manual-lib.com>

<http://www.404manual.com>

<http://www.luxmanual.com>

<http://aubethermostatmanual.com>

Golf course search by state

<http://golfingnear.com>

Email search by domain

<http://emailbydomain.com>

Auto manuals search

<http://auto.somanuals.com>

TV manuals search

<http://tv.somanuals.com>