



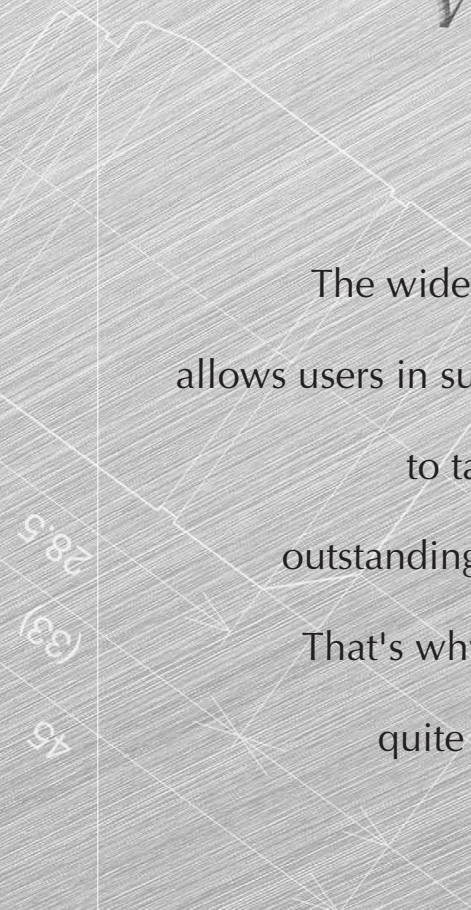
Choosing The Ideal UIS2 Optics Components For Your Equipment






UIS2

World-leading optics



The wide range of Olympus components introduced here allows users in such diverse fields as research, inspection and production to take advantage of the quality, flexibility and outstanding optical performance of the UIS2 Optical System.

That's why installing Olympus microscope components is, quite simply, the right choice for your equipment.



CONTENTS

WELCOME TO UIS2/UIS OPTICS	3 — 4
---	-------

SYSTEM DIAGRAM	5 — 6
-----------------------------	-------

UIS2/UIS OBJECTIVE LENSES	7 — 18
--	--------

NEW M Plan Apochromat	MPLAPON series	8
M Plan SemiApochromat	MPLFLN series	9
Long WD M Plan SemiApochromat	LMPLFLN series	10
M Plan Achromat	MPLN series	11
LCD Long WD M Plan SemiApochromat		
	LCPLFLN-LCD series	12
NEW Super Long WD M Plan Achromat	SLMPLN series	13
IR Long WD M Plan Achromat	LMPlan-IR series	14
IR M Plan Achromat	MPlan-IR	14
M Plan SemiApochromat BD	MPLFLN-BD series	15
M Plan SemiApochromat BDP	MPLFLN-BDP series	16
Long WD M Plan SemiApochromat BD		
	LMPLFLN-BD series	17
M Plan Achromat BD	MPLN-BD series	18

MICROSCOPE SYSTEM BXFM	19 — 22
-------------------------------------	---------

BXFM frame	BXFM-F	19
BXFM	BXFM-F+BXFM-ILH+BXFM-ILHSPU	20
BXFM-S	BXFM-F+BXFM-ILHS	21
Universal stand type 2	SZ2-STU2	22
Compact stand	U-ST	22
Large stand	SZ-STL	22

ILLUMINATION UNITS	23 — 25
---------------------------------	---------

Reflected light illuminator for BF/DF		
	BX-RLA2	23
Universal reflected light illuminator	BX-URA2	23
Reflected light illuminators for BF	BX-KMA/BX-KMA-ESD	24
Reflected light illuminator for BF	U-KMAS	25

LAMP HOUSING & ACCESSORIES	26 — 28
---	---------

75W xenon apo lamp housing	U-LH75XEAP0	26
100W mercury apo lamp housing	U-LH100HGAPO	26
100W mercury lamp housing	U-LH100HG	26
100W halogen lamp housings	U-LH100-3/U-LH100IR/U-LH100L-3	26
External power supply	TH4-100/200	27
Hand switch	TH4-HS	27
Extension cord	U-RMT	27
DF converter for BX-URA2	U-RCV	27
Fiber adapter for reflected light observation		
	U-LGAD	27
Transmitted light guide adapter	SZ-X-TLGAD	27
Light source	LG-PS2	28
Light guide	LG-SF	28
Double lamp house adapter	U-DULHA	28

OBSERVATION TUBES	29 — 30
--------------------------------	---------

Widefield trinocular tube	U-TR30-2	29
Widefield trinocular tube for IR	U-TR30IR	29
Widefield erect image trinocular tube		
	U-ETR-4	29
Single port tube with lens	U-TLU	29
Single port tube with lens for IR	U-TLUIR	29
Super widefield trinocular tube	U-SWTR-3	30
Super widefield erect image trinocular tube		
	U-SWETR	30
Super widefield erect image tilting trinocular tube		
	MX-SWETTR	30

INTERMEDIATE TUBES & ACCESSORIES	31 — 32
---	---------

Magnification changer	U-CA	31
Magnification changer 2x	U-ECA	31
Trinocular intermediate attachment		
	U-TRU	31
Dual port	U-DP	32
Dual port 1x	U-DP1xC	32
Eyepoint adjuster	U-EPA2	32
Arrow pointer	U-APT	32

EYEPIECES/FILAR MICROMETER EYEPIECE	33
--	----

Widefield eyepieces	WHN10x, WHN10x-H, CROSSWHN10x, WH15x	33
Super widefield eyepieces	SWH10x-H, MICROSWH10x, CROSSSWH10x	33
Filar micrometer eyepiece	U-OSM	33

REVOLVING NOSEPIECES	34 — 35
-----------------------------------	---------

Quintuple revolving nosepiece	U-5RE-2	34
Sextuple revolving nosepiece with slider slot for DIC		
	U-D6RE	34
Sextuple revolving nosepiece with slider slot for DIC with ESD treatment		
	U-D6RE-ESD	34
Septuple revolving nosepiece with slider slot for DIC		
	U-D7RE	34
Centerable quadruple revolving nosepiece with slider slot for DIC		
	U-P4RE	34
Centerable sextuple revolving nosepiece with slider slot for DIC		
	U-P6RE	34
Quintuple revolving nosepiece for BF/DF		
	U-5BDRE	35
Quintuple revolving nosepiece for BF/DF with slider slot for DIC		
	U-D5BDRE	35
Sextuple revolving nosepiece for BF/DF with slider slot for DIC/		
	U-D6BDRE	35
Centerable quintuple revolving nosepiece		
	U-P5BDRE	35
Adapter to mount BF objectives		
	BD-M-AD	35

VIDEO CAMERA ADAPTERS	36 — 37
------------------------------------	---------

C-mount video camera ports	U-TV0.25xC, U-TV0.35xC-2, U-TV0.5xC-3, U-TV0.63xC	36
Video camera mount adapters	U-CMAD3, U-BMAD, U-SMAD,	
	U-TMAD, U-FMT	37
Video camera port	U-TV1x-2	37

MOTORIZED UNITS	38 — 41
------------------------------	---------

Motorized BF/DF reflected light illuminator+motorized Nomarski DIC sextuple revolving nosepiece+100W halogen lamp housing		
	BX-RLAA+U-D6REMC+U-LH100-3	38
Motorized universal reflected light illuminator		
	BX-RFAA	38
NEW Motorized sextuple BD revolving nosepiece with slider slot for DIC		
	U-D6BDREMC	39
NEW Motorized centerable quintuple revolving nosepiece with slider slot for DIC		
	U-P5BDREMC	39
Motorized quintuple BD revolving nosepiece with slider slot for DIC		
	U-D5BDREMC	39
Motorized sextuple revolving nosepiece with slider slot for DIC		
	U-D6REMC	39
Motorized centerable quintuple revolving nosepiece with slider slot for DIC		
	U-P5REMC	39
Control unit	BX-UCB	39
Hand switch	U-HSTR2	39
Control box for motorized nosepiece and BF/DF illuminator		
	BX-REMCB	39
AC adapter for BX-REMCB	U-ACAD4515	39
NEW Active auto focus unit	U-AFA2M-VIS	40
Motorized reflected filter wheel	U-FWR	40
Motorized illumination with power focus		
	BX-FMA-F	41

DEEP ULTRAVIOLET OBSERVATION SYSTEM	42
--	----

UV248 compatible intermediate tube		
	U-UVF248IM	42
UV quartz light guide	U-UVF2FV/5FB	42
UV248 compatible light source box + Mercury Xenon lamp housing		
	U-UVF248LB+U-LH80HBXE	42

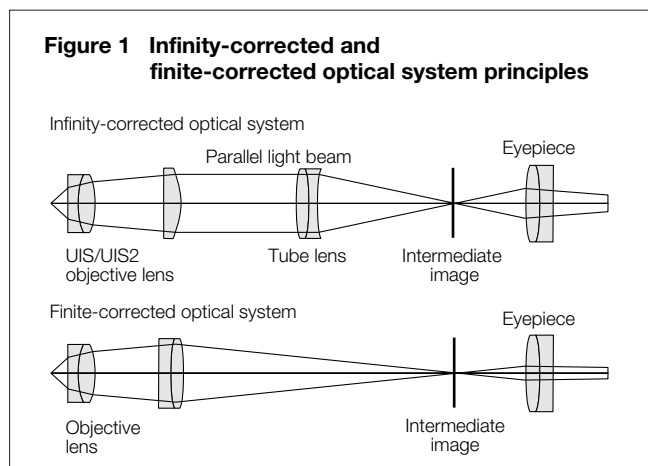
OPTICAL TERMINOLOGY	43 — 47
----------------------------------	---------

UIS2/UIS:

The System That Maximizes The Advantage Of Infinity-Corrected Optics

What's infinity-corrected optics?

UIS2/UIS optics is an infinity-corrected optical system — in other words, a system in which light passes from the specimen through the objective lens without forming an image along the way. Instead, it travels in the form of infinity parallel rays to the tube lens. The tube lens is where the intermediate image is formed, whereas in finite-corrected optics, this is done by the objective lens.



Advantages of infinity-corrected optics

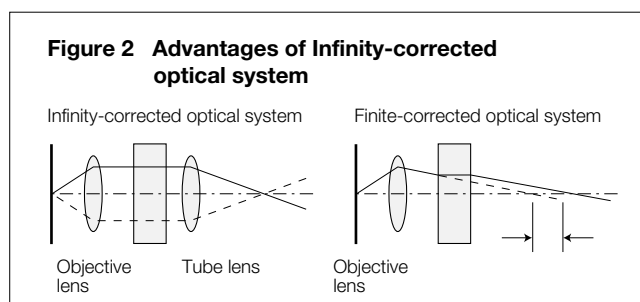
This system, known as "infinity-corrected optics", offers a number of advantages:

- There is no change in magnification even when the distance between the objective lens and tube lens is altered.
- With the total magnification remaining constant, there is no image aberration — even when prisms or sliders are interposed between the objective lens and the tube lens.

As thousands of users have found by experience, these advantages are crucial to composing the ideal microscope optical system. What's more, it is even possible to freely insert or remove intermediate attachments in the parallel rays of

light between the objective lens and tube lens, allowing the creation of user-specific or task-specific optical systems. To establish real flexibility with such a system, it is necessary to eliminate the occurrence of coma aberration.

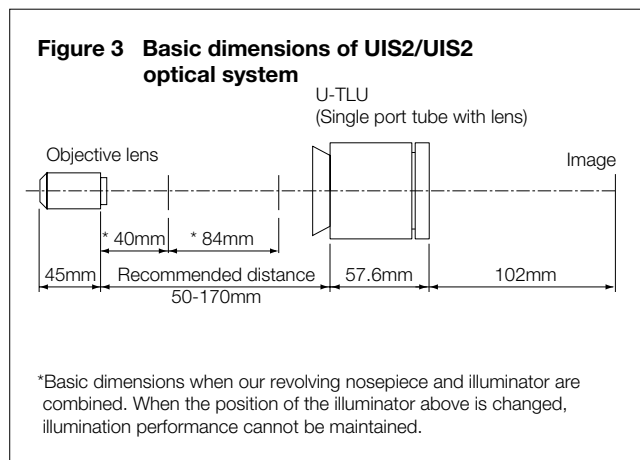
**In UIS2/UIS objective lenses, the parfocal distance is designed at 45mm and the focal length of the tube lens is 180mm.*



Basic dimensions of UIS2/UIS optical system

The UIS2/UIS optical system optimally corrects aberration with a dedicated telan lens and an eyepiece so that the coma aberration and flatness are not degraded even when the telan lens exit pupil position is changed by changing the objective lens and telan distance. This makes it possible to use a distance of 50mm to 170mm from objective lens mounting position to the single port tube with lens.

**Coma aberration: refer to the optical terminology at the end of this document.*



Features of UIS2 objective lenses

UIS2 objective lenses ensure compatibility (screw diameter, optical performance) with the UIS optical system and have the following features compared to conventional objective lenses.

1. Wavefront aberration control

The Olympus UIS2 objective lenses set a new standard, with wavefront aberration control in addition to common performance standards of N.A. and W.D. Olympus challenges farther highest order optics which has not been fulfilled by the conventional standards. We offer excellent performance objective lenses by minimizing the aberrations that lower resolution.

**Wave front aberration: refer to the optical terminology at the end of this document.*

2. Objective lenses with excellent image parcentricity

High power SemiApochromatic UIS2 objective lenses make the centration tolerance between objective lenses on the microscope nosepiece keep the image within the center of the field of view even with digital cameras. (50x or higher power in both MPLFLN and LMPLFLN series)

3. Improvement of color reproducibility

UIS2 objective lenses realize natural color reproduction without any chromatic shifts using stringently selected high transmittance glass and advanced coating technology that provides high transmittance which is flat over an ultra-wide band wavelength. In addition, since the total optical system, including the tube lens is designed to reproduce a natural color, clear images faithful to the specimen are obtained even with digital imaging.

4. Lightening

Weight has been reduced to approximately 2/3 that of conventional products by using an aluminum objective lens barrel cover. This has the effect of lightening the load on the devices at objective lens up/down, suppressing vibrations by lowering the inertial force at objective lens switching, etc. (MPLFLN series, LMPLFLN series)

5. Adoption of eco-lens

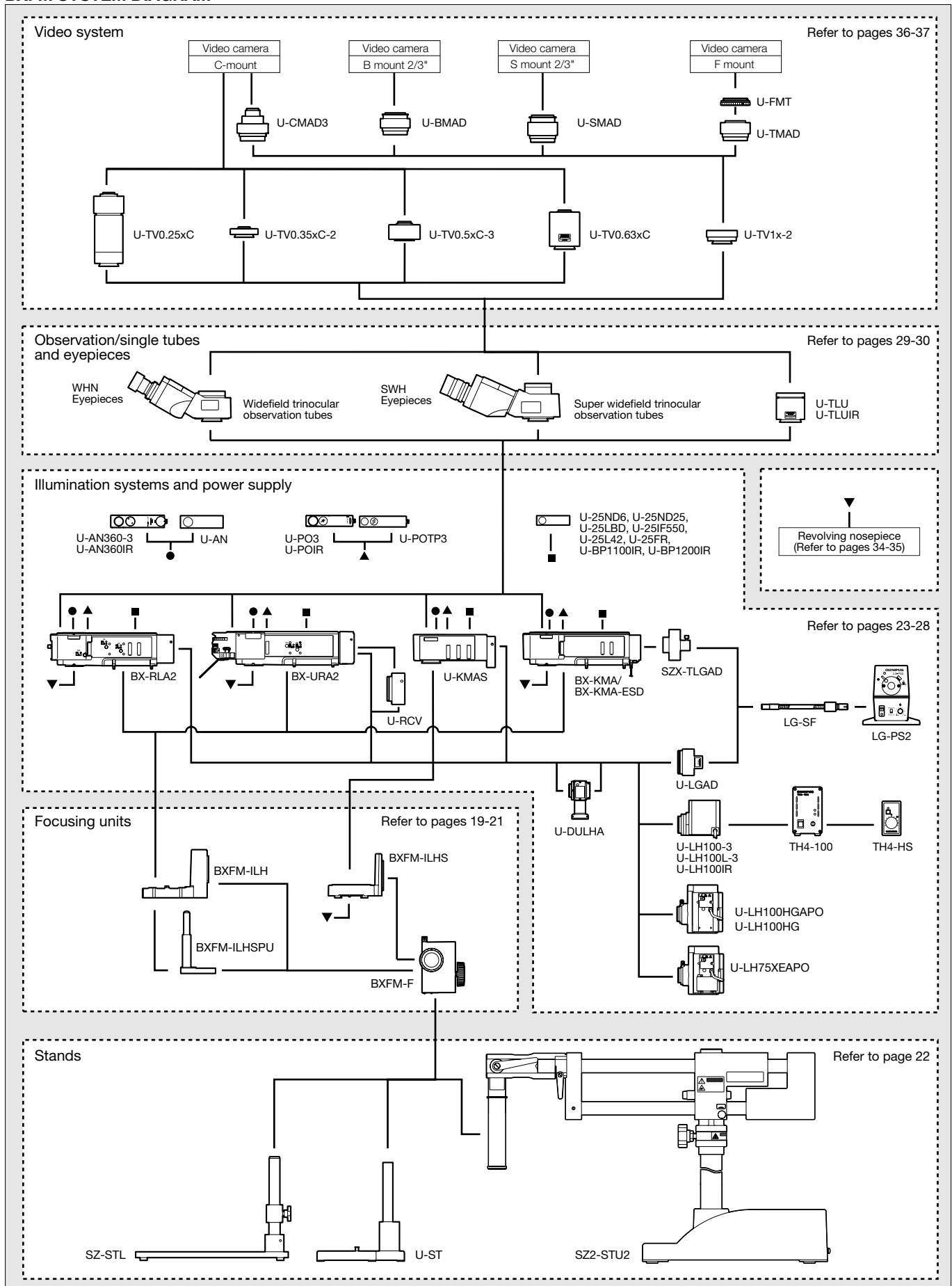
The glass materials of UIS2 objective lenses are all lead- and cadmium-free eco-glass.

Based on our conviction that the UIS2/UIS system is the best way to maximize the advantages of infinity-corrected optical systems, we confidently recommend the UIS2/UIS-featured Olympus microscope units for all your high-precision needs in research, inspection and production equipment.

** Refer to the Olympus home page for detailed objective lenses specifications.*

SYSTEM DIAGRAM

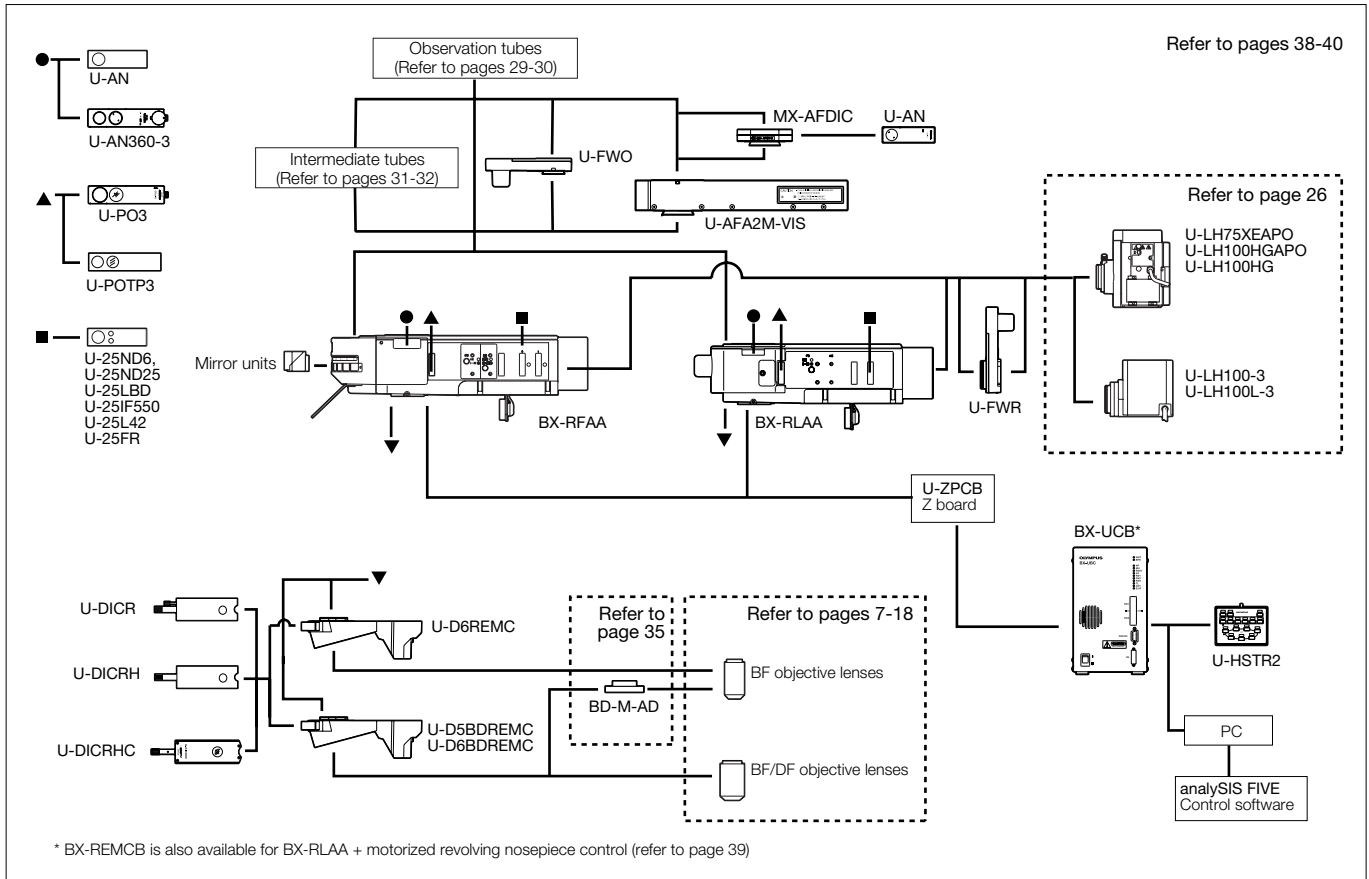
BXFM SYSTEM DIAGRAM



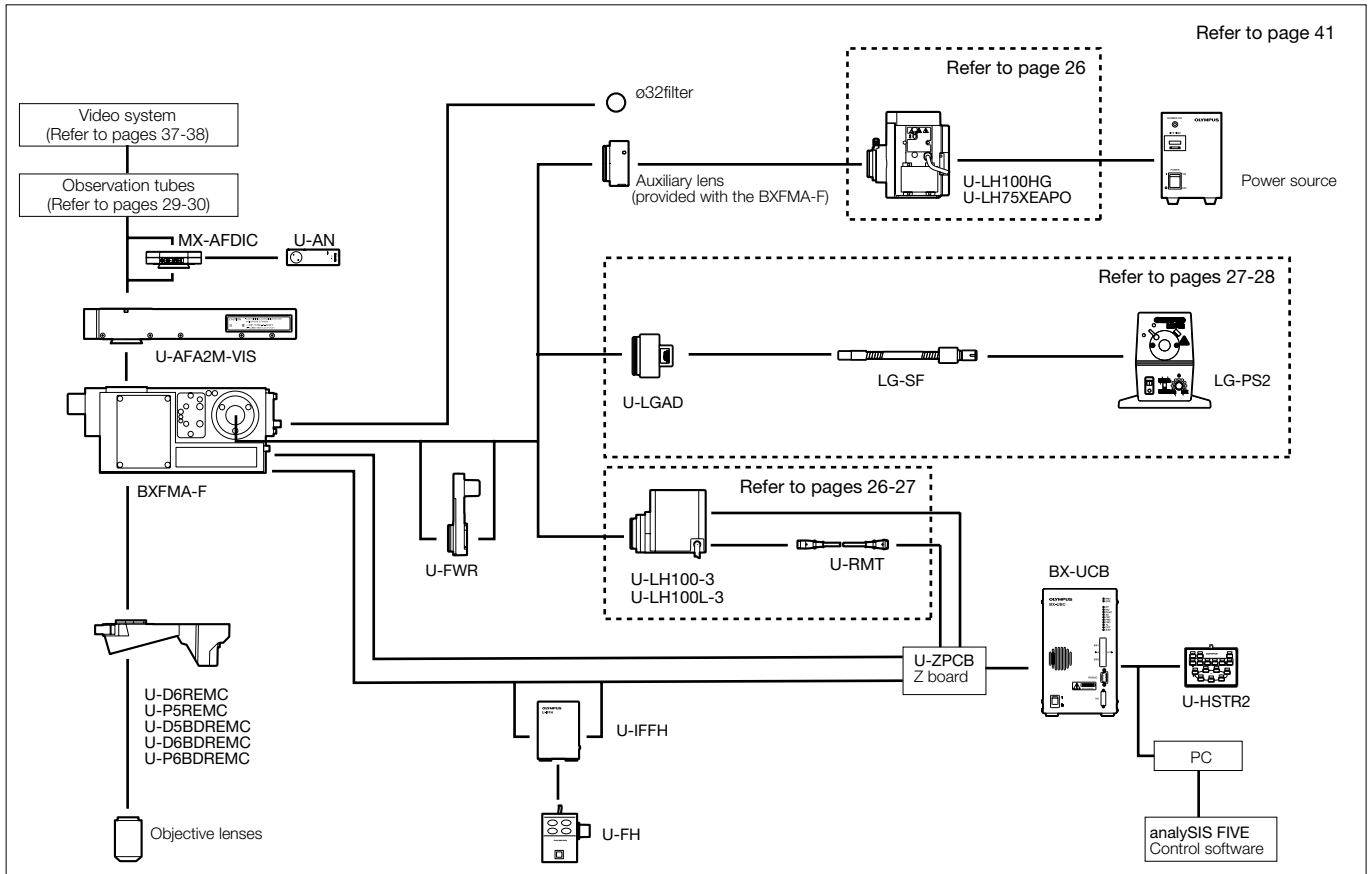
*Different types may be offered in each area.

SYSTEM DIAGRAM

MOTORIZED UNIT SYSTEM DIAGRAM

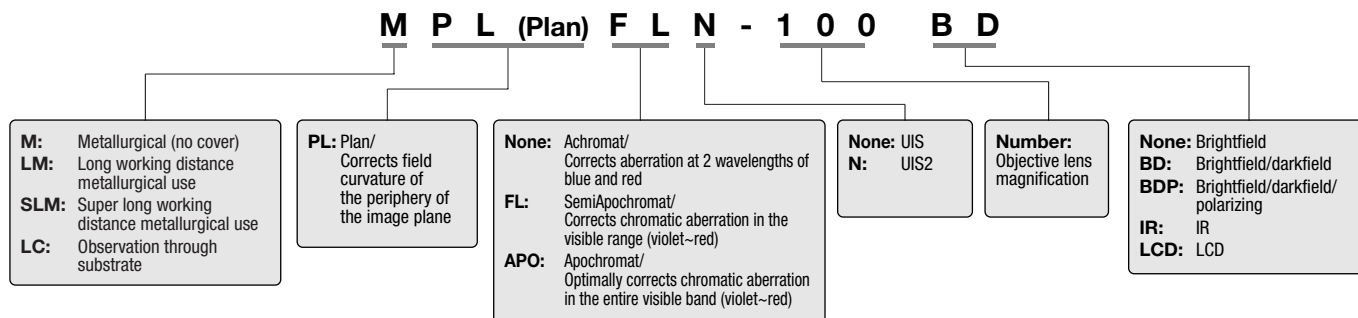


BXFM-A SYSTEM DIAGRAM

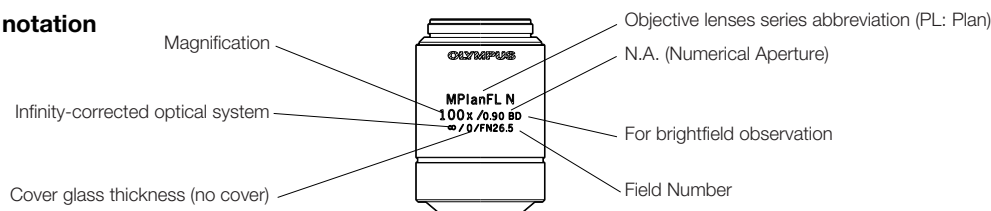


UIS2/UIS OBJECTIVE LENSES

■ Meaning of abbreviations shown on objective lens



■ Objective lens notation



■ Objective lens series list

Series		Magnification	BF	DF	DIC*	POL	FL	F.N. (Field Number)	Remarks
UIS2	MPLAPON	50/100	○		○ U	○		26.5	
	MPLFLN	1.25/2.5	○					1.25x: 22 /2.5x: 26.5	Use together with polarizer and analyzer recommended
		5/10/20/50/100	○		○ U	○	○ ^{*2}	26.5	
	LMPLFLN	5/10/20/50/100	○		○ L	○	○	26.5	
	MPLN	5/10/20/50/100	○					22	
	LCPLFLN-LCD	20/50/100	○		○ L			26.5	For LCD
UIS	SLMPLN	20/50/100	○				26.5		
UIS2	LMPlanIR/MPlanIR	5/10/20/50/100 ^{*4}	○					22	For near-IR observation
	MPLFLN-BD	5/10/20/50/100/150	○	○	○ U	○	○ ^{*2}	26.5	
UIS2	MPLFLN-BDP	5/10/20/50/100	○	○	● U	●	○ ^{*2}	26.5	
	LMPLFLN-BD	5/10/20/50/100	○	○	○ L	○	○	26.5	
	MPLN-BD	5/10/20/50/100	○	○				22	

*1 DIC prism U-DICR: UM/LM position, U-DICRHC: LM position fixed, U-DICRH: UM position fixed. *2 5-20x: U excitation also possible

*3 50x: DIC observation not applicable *4 MPlanIR: available 100x only ○: Responds ●: Optimally responds BF: Brightfield DF: Darkfield

DIC: Differential Interference Contrast POL: Polarized light FL: Fluorescence

■ Features of objective lens series

● MPLAPON: Plan Apochromat — P 8

Plan Apochromat objective lenses that correct chromatic aberrations at the highest level. Olympus guarantees** optical performance (wavefront aberration) with a Strehl ratio*² of 95% or better. They are also designed for use with Olympus' U-AFA2M active AF unit.

*1 Definition of guaranteed values: Measurements assessed with Olympus' Interferometer for Transmitted Wavefront Measurement under specified conditions (measurement: temp. 23°C±1°C; assessment: measurement within the 97% range of the pupil dia.).

*2 Strehl ratio: Indicates in percent (%) the ratio of the proportion of light that an actual optical system can concentrate with respect to the proportion of light concentrated in the image plane (central intensity) by an ideal, aberration-free optical system, with the latter serving as 100%. A higher percentage indicates a higher quality optical system.

● MPLFLN series: M Plan SemiApochromat — P 9

Plan SemiApochromat objective lenses, giving high-level correction for chromatic aberration. The lineup consists of 7 objective lenses ranging from 1.25x to 100x, and secures a W.D. of 1mm or longer. Since the exit pupil position of the 5x-100x objective lenses is standardized, the position of the DIC prism does not have to be switched when changing the magnification. For ultra low magnifications (1.25x, 2.5x), use together with analyzer and polarizer of the reflected light illuminator.

● LMPLFLN series: Long WD M Plan SemiApochromat — P 10

Long working distance Plan SemiApochromat objective lenses, giving high-level correction for chromatic aberration. Suitable with samples having a height difference and in preventing collision, as the working distance is long. Also, since the exit pupil position of the 5x-100x objective lenses is standardized, the position of the DIC prism does not have to be switched when changing the magnification.

● MPLN series: M Plan Achromat — P 11

Plan Achromat objective lenses providing excellent image flatness up to F.N. 22.

● LCPLFLN-LCD series: LCD Long WD M Plan SemiApochromat — P 12

Perfect objective lens series for observation of LCD panels and other samples through a glass substrate. Aberration correction matched to the glass thickness is accomplished using a correction ring.

● SLMPLN series: Super Long WD M Plan Achromat — P 13

Plan Achromat objective lenses with high magnification and super long working distance. Three magnifications, 20x, 50x and 100x are available. For 5x or 10x objective lenses, select from the LMPLFLN Series.

● LMPlan-IR series: IR Long WD M Plan Achromat — P 14

MPlan-IR: IR M Plan Achromat — P 14

IR objective lenses which compensate for aberrations from visible to near infrared light. Ideal for the observations of semiconductor interiors and the back surface of a chip package as well as CSP bump inspection.

● MPLFLN-BD series: M Plan SemiApochromat BD — P 15

Plan SemiApochromat objective lenses, giving high-level correction for chromatic aberration. The series secures a W.D. of 1mm or longer. Since the exit pupil position of the 5x-150x objective lenses is standardized, the position of the DIC prism does not have to be switched when changing the magnification.

● MPLFLN-BDP series: M Plan SemiApochromat BDP — P 16

Plan SemiApochromat objective lenses, giving high-level correction for chromatic aberration. The series secures a W.D. of 1mm or longer. Since the exit pupil position of the 5x-100x objective lenses is standardized, the position of the DIC prism does not have to be switched when changing the magnification. The BDP series optimizing brightfield/darkfield and polarized light characteristics is perfect for Nomarski DIC and polarized light observations.

● LMPLFLN-BD series: Long WD M Plan SemiApochromat BD — P 17

Long working distance Plan SemiApochromat objective lenses, giving high-level correction for chromatic aberration. Suitable with samples having a height difference and in preventing collision, as the working distance is long. Also, since the exit pupil position of the 5x-100x objective lenses is standardized, the position of the DIC prism does not have to be switched when changing the magnification.

● MPLN-BD series: M Plan Achromat BD — P 18

Plan Achromat objective lenses providing excellent image flatness up to F.N. 22.

UIS2 OBJECTIVE LENSES

Plan Apochromat

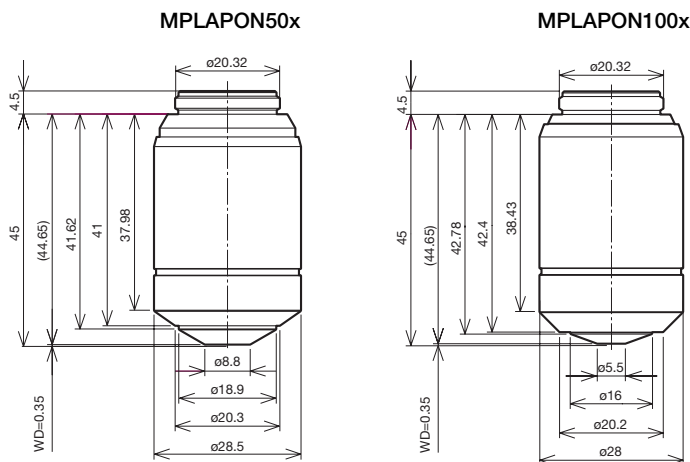
MPLAPON series



Plan Apochromat objective lenses that correct chromatic aberrations at the highest level.

Olympus guarantees*¹ optical performance (wavefront aberration) with a Strehl ratio*² of 95% or better.

They are also designed for use with Olympus' U-AFA2M active AF unit.



*¹ Definition of guaranteed values: Measurements assessed with Olympus' Interferometer for Transmitted Wavefront Measurement under specified conditions (measurement: temp. 23°C±1°C; assessment: measurement within the 97% range of the pupil dia.).

*² Strehl ratio: Indicates in percent (%) the ratio of the proportion of light that an actual optical system can concentrate with respect to the proportion of light concentrated in the image plane (central intensity) by an ideal, aberration-free optical system, with the latter serving as 100%. A higher percentage indicates a higher quality optical system.

Unit: mm

UIS2 objective lenses					Widfield eyepiece WHN10x Field Number 22			Super widefield eyepiece SWH10x Field Number 26.5		
Objective lens (magnification)	Numerical Aperture	Working distance (mm)	Focal distance f (mm)	Weight (g)	Total magnifications	Practical field of view (mm)	Depth of focus (µm)	Total magnifications	Practical field of view (mm)	Depth of focus (µm)
MPLAPON 50x	0.95	0.35	3.6	139	500	0.44	1.0	500	0.53	1.0
MPLAPON 100x	0.95	0.35	1.8	125	1000	0.22	0.67	1000	0.27	0.7

Screw: W20.32x0.706 (0.8"x1/36")

UIS2 OBJECTIVE LENSES

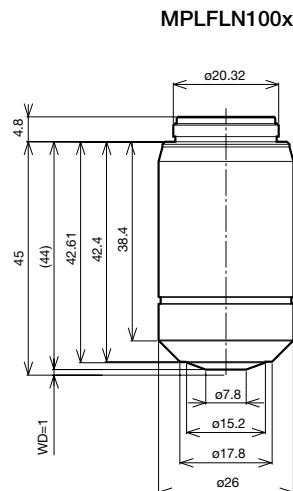
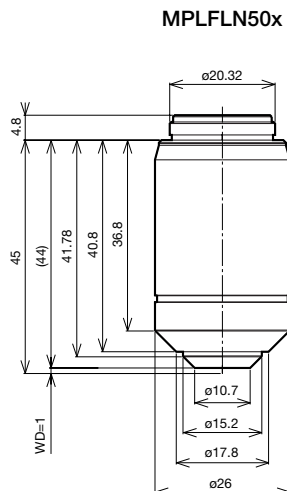
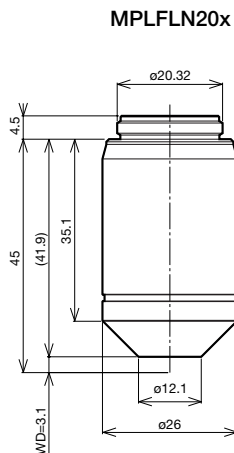
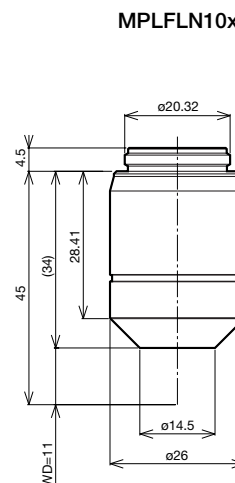
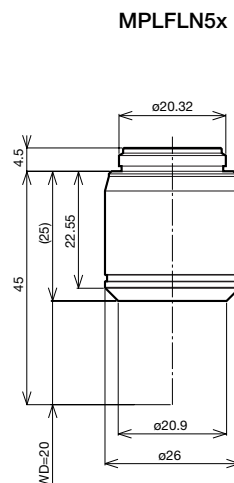
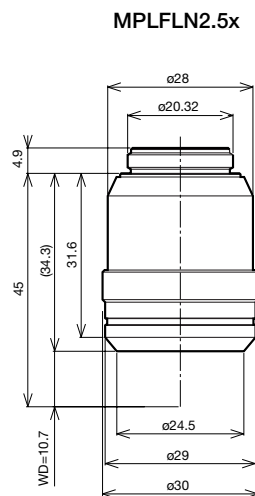
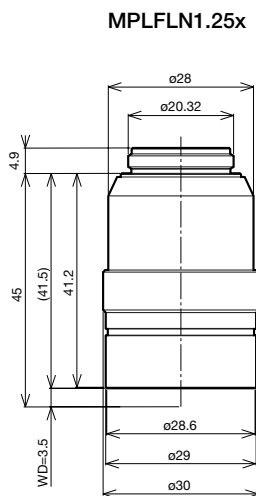
M Plan SemiApochromat

MPLFLN series



Plan SemiApochromat objective lenses, giving high-level correction for chromatic aberration. The lineup consists of 7 objective lenses ranging from 1.25x to 100x, and secures a W.D. of 1mm or longer. Since the exit pupil position of the 5x-100x objective lenses is standardized, the position of the DIC prism does not have to be switched when changing the magnification.

For ultra low magnifications (1.25x, 2.5x), use together with analyzer and polarizer of the reflected light illuminator.



Unit: mm

UIS2 objective lenses					Widfield eyepiece WHN10x Field Number 22			Super widefield eyepiece SWH10x Field Number 26.5		
Objective lens (magnification)	Numerical Aperture	Working distance (mm)	Focal distance f (mm)	Weight (g)	Total magnifications	Practical field of view (mm)	Depth of focus (μm)	Total magnifications	Practical field of view (mm)	Depth of focus (μm)
MPLFLN 1.25x*	0.04	3.5	145	122	12.5	17.6	870	—	—	—
MPLFLN 2.5x*	0.08	10.7	72	106	25	8.8	220	25	10.6	220
MPLFLN 5x	0.15	20.0	36	51.5	50	4.4	59	50	5.3	59
MPLFLN 10x	0.30	11.0	18	68.1	100	2.2	15	100	2.7	15
MPLFLN 20x	0.45	3.1	9	70.4	200	1.1	5.2	200	1.3	5.1
MPLFLN 50x	0.80	1.0	3.6	89.9	500	0.44	1.3	500	0.53	1.3
MPLFLN 100x	0.90	1.0	1.8	90.9	1000	0.22	0.73	1000	0.27	0.73

Screw: W20.32x0.706 (0.8"x1/36")

UIS2 OBJECTIVE LENSES

Long WD M Plan SemiApochromat

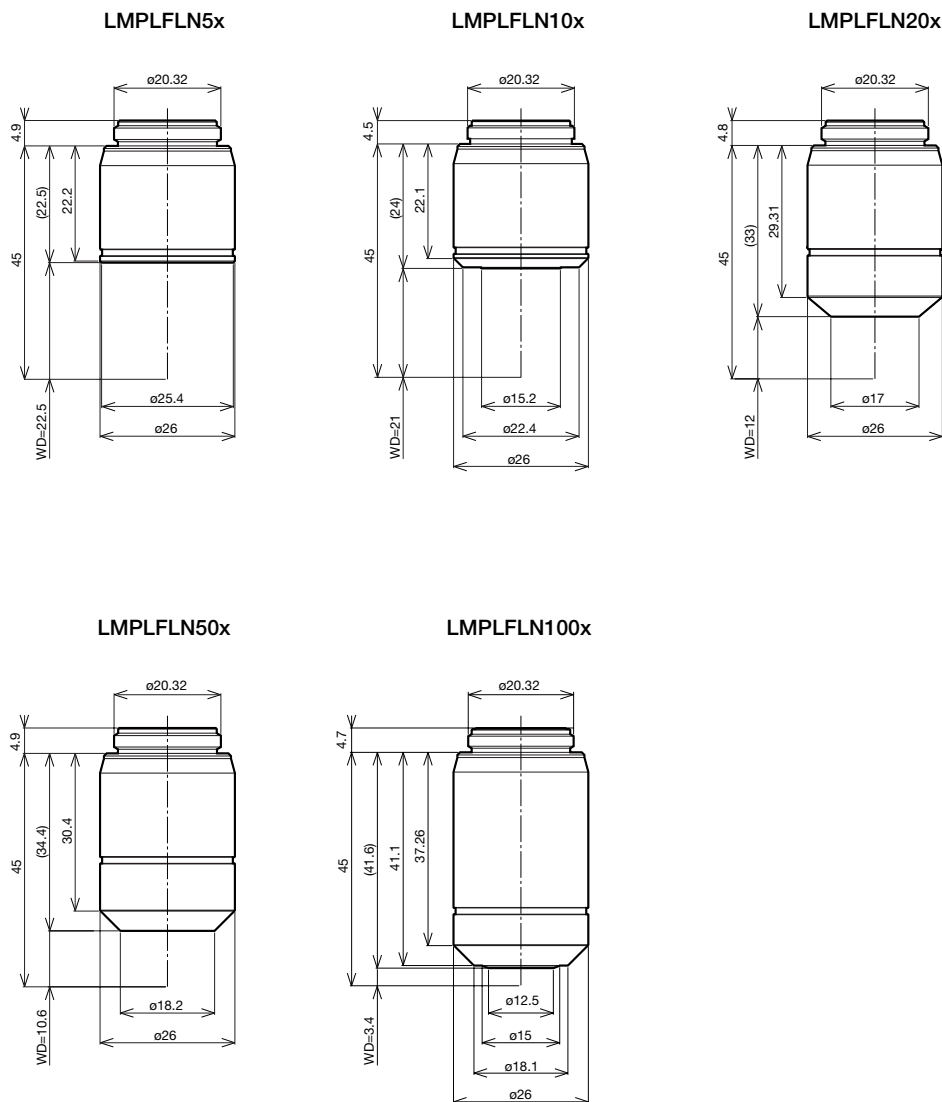
(WD: Working Distance)

LMPLFLN series



Long working distance Plan SemiApochromat objective lenses, giving high-level correction for chromatic aberration. Suitable with samples having a height difference and in preventing collision, as the working distance is long.

Also, since the exit pupil position of the 5x-100x objective lenses is standardized, the position of the DIC prism does not have to be switched when changing the magnification.



Unit: mm

UIS2 objective lenses					Widefield eyepiece WHN10x Field Number 22			Super widefield eyepiece SWH10x Field Number 26.5		
Objective lens (magnification)	Numerical Aperture	Working distance (mm)	Focal distance f (mm)	Weight (g)	Total magnifications	Practical field of view (mm)	Depth of focus (µm)	Total magnifications	Practical field of view (mm)	Depth of focus (µm)
LMPLFLN 5x	0.13	22.5	36	50	50	4.4	70	50	5.3	70
LMPLFLN 10x	0.25	21.0	18	54	100	2.2	18	100	2.7	18
LMPLFLN 20x	0.40	12.0	9	73	200	1.1	6.1	200	1.3	6.1
LMPLFLN 50x	0.50	10.6	3.6	77	500	0.44	2.5	500	0.53	2.5
LMPLFLN 100x	0.80	3.4	1.8	94	1000	0.22	0.87	1000	0.27	0.87

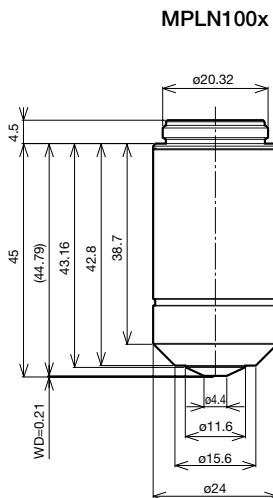
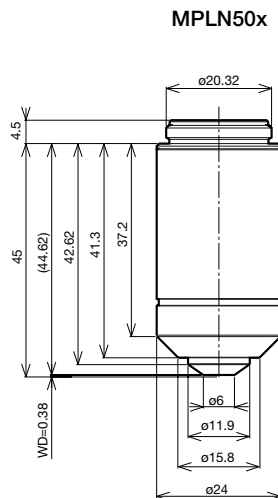
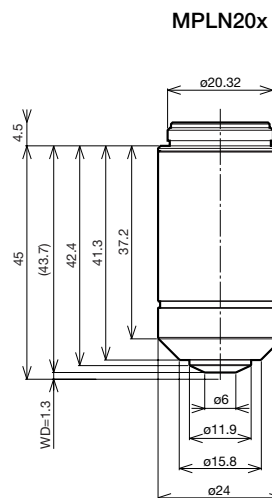
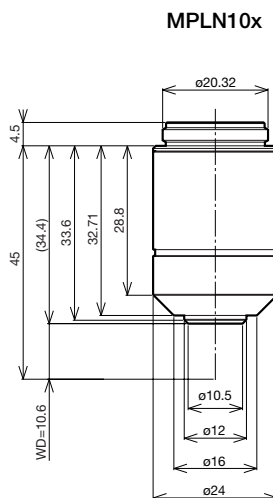
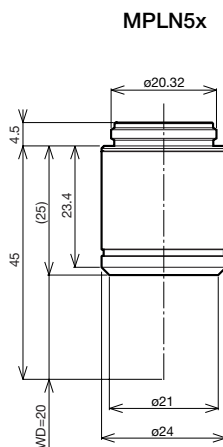
Screw: W20.32x0.706 (0.8"x1/36")

UIS2 OBJECTIVE LENSES

M Plan Achromat

MPLN series

Plan Achromat objective lenses providing excellent image flatness up to F.N. 22.



Unit: mm

UIS2 objective lenses					Widefield eyepiece WHN10x Field Number 22		
Objective lens (magnification)	Numerical Aperture	Working distance (mm)	Focal distance f (mm)	Weight (g)	Total magnifications	Practical field of view (mm)	Depth of focus (μ m)
MPLN 5x	0.10	20.0	36	64	50	4.4	98
MPLN 10x	0.25	10.6	18	80	100	2.2	18
MPLN 20x	0.40	1.3	9	111	200	1.1	6.1
MPLN 50x	0.75	0.38	3.6	113	500	0.44	1.4
MPLN 100x	0.90	0.21	1.8	116	1000	0.22	0.73

Screw: W20.32x0.706 (0.8"x1/36")

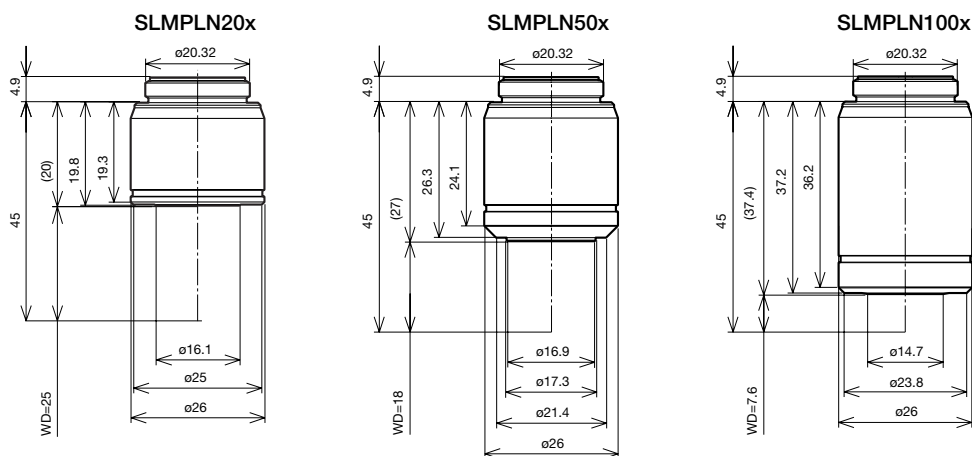
Super Long WD M Plan Achromat

SLMPLN series



Plan Achromat objective lenses with high magnification and super long working distance.

Three magnifications, 20x, 50x and 100x are available. For 5x or 10x objective lenses, select from the LMPLFLN series.



Unit: mm

UIS2 objective lenses					Widefield eyepiece WHN10x Field Number 22			Super widefield eyepiece SWH10x Field Number 26.5		
Objective lens (magnification)	Numerical Aperture	Working distance (mm)	Focal distance f (mm)	Weight (g)	Total magnifications	Practical field of view (mm)	Depth of focus (μm)	Total magnifications	Practical field of view (mm)	Depth of focus (μm)
SLMPLN 20x	0.25	25	9	56	200	1.1	11.4	200	1.3	11.4
SLMPLN 50x	0.35	18	3.6	74	500	0.44	4.2	500	0.53	4.2
SLMPLN 100x	0.6	7.6	1.8	100	1000	0.22	1.3	1000	0.27	1.3

Screw: W20.32x0.706 (0.8"x1/36")

UIS OBJECTIVE LENSES

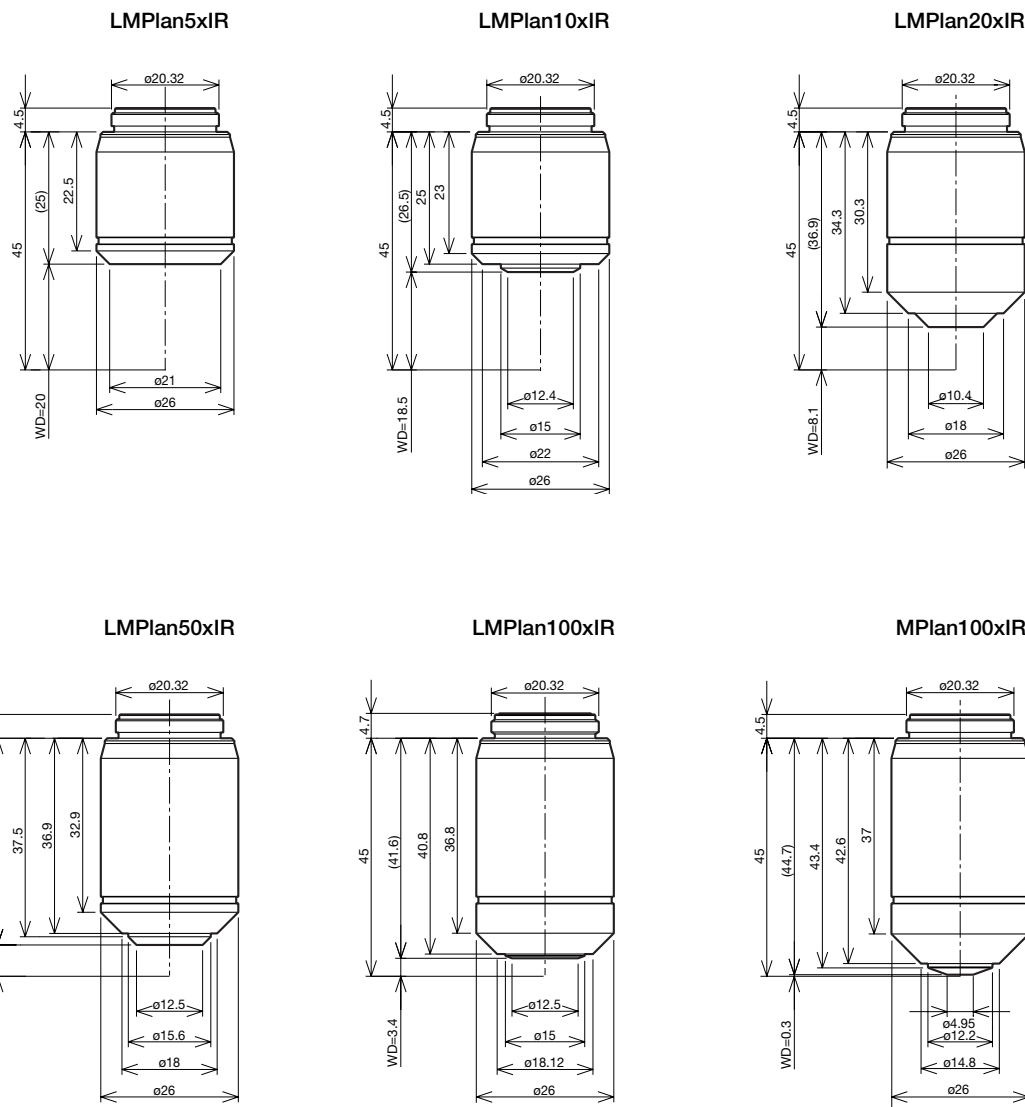
IR Long WD M Plan Achromat/IR M Plan Achromat

LMPlan-IR series/MPlan-IR



IR objective lenses which compensate for aberrations from visible to near infrared light.

Ideal for the observations of semiconductor interiors and the back surface of a chip package as well as CSP bump inspection.



Unit: mm

UIS objective lenses					Widefield eyepiece WHN10x Field Number 22		
Objective lens (magnification)	Numerical Aperture	Working distance (mm)	Focal distance f (mm)	Weight (g)	Total magnifications	Practical field of view (mm)	Depth of focus (μ m)
LMPlan 5xIR	0.10	20.0	36	73	50	4.4	98
LMPlan 10xIR	0.25	18.5	18	73	100	2.2	18
LMPlan 20xIR	0.40	8.1	9	110	200	1.1	6.1
LMPlan 50xIR	0.55	6.0	3.6	115	500	0.44	2.2
LMPlan 100xIR	0.80	3.4	1.8	122	1000	0.22	0.87
MPlan 100xIR	0.95	0.3	1.8	130	1000	0.22	0.67

Screw: W20.32x0.706 (0.8"x1/36")

UIS2 OBJECTIVE LENSES

M Plan SemiApochromat BD

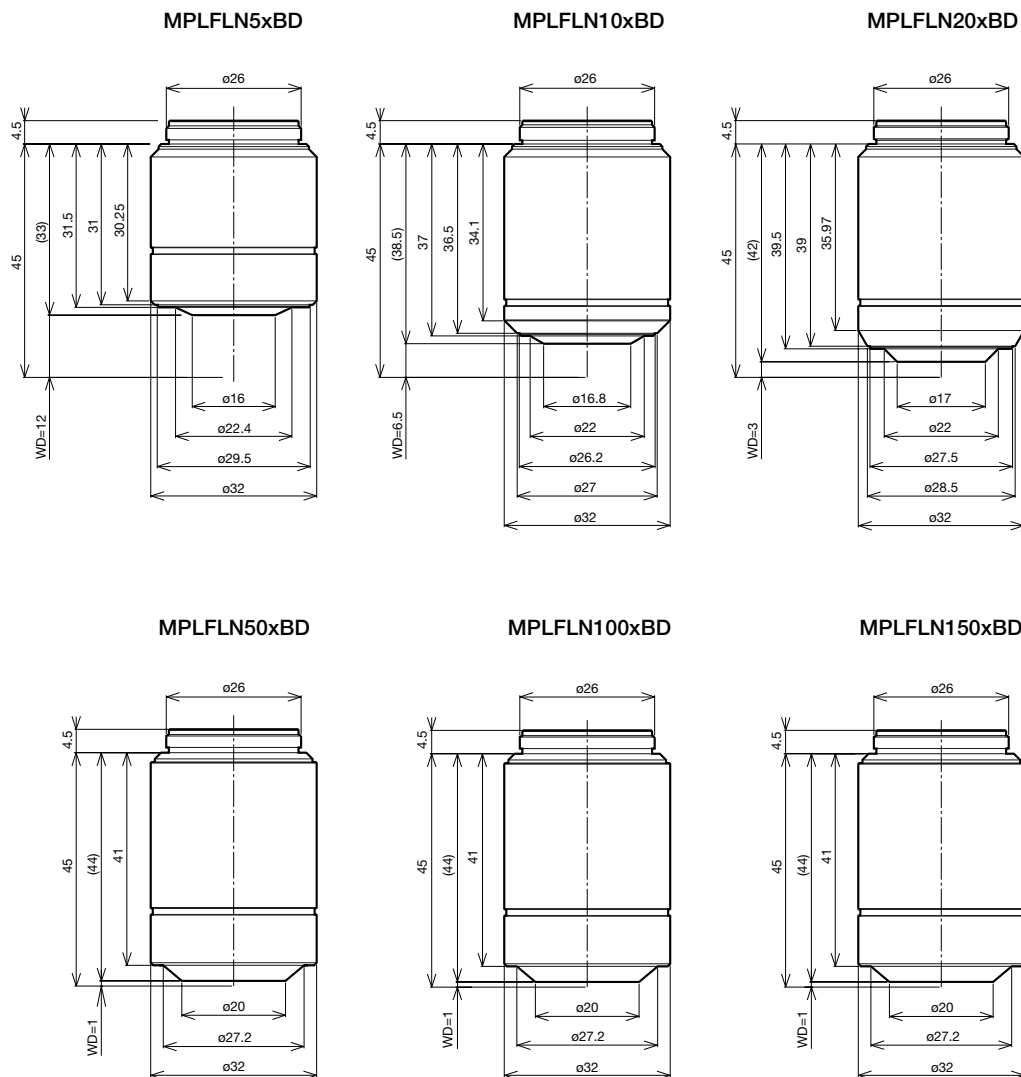
(BD:Brightfield/Darkfield)

MPLFLN-BD series



Plan SemiApochromat objective lenses, giving high-level correction for chromatic aberration.

The series secures a W.D. of 1mm or longer. Since the exit pupil position of the 5x-150x objective lenses is standardized, the position of the DIC prism does not have to be switched when changing the magnification.



Unit: mm

UIS2 objective lenses					Widfield eyepiece WHN10x Field Number 22			Super widefield eyepiece SWH10x Field Number 26.5		
Objective lens (magnification)	Numerical Aperture	Working distance (mm)	Focal distance f (mm)	Weight (g)	Total magnifications	Practical field of view (mm)	Depth of focus (µm)	Total magnifications	Practical field of view (mm)	Depth of focus (µm)
MPLFLN 5xBD	0.15	12.0	36	95.5	50	4.4	59	50	5.3	59
MPLFLN 10xBD	0.30	6.5	18	82.8	100	2.2	15	100	2.7	15
MPLFLN 20xBD	0.45	3.0	9	87.7	200	1.1	5.2	200	1.3	5.2
MPLFLN 50xBD	0.80	1.0	3.6	99.8	500	0.44	1.3	500	0.53	1.3
MPLFLN 100xBD	0.90	1.0	1.8	98.9	1000	0.22	0.73	1000	0.27	0.73
MPLFLN 150xBD	0.90	1.0	1.2	104.8	1500	0.15	0.6	1500	0.18	0.6

Screw: W26x0.706

UIS2 OBJECTIVE LENSES

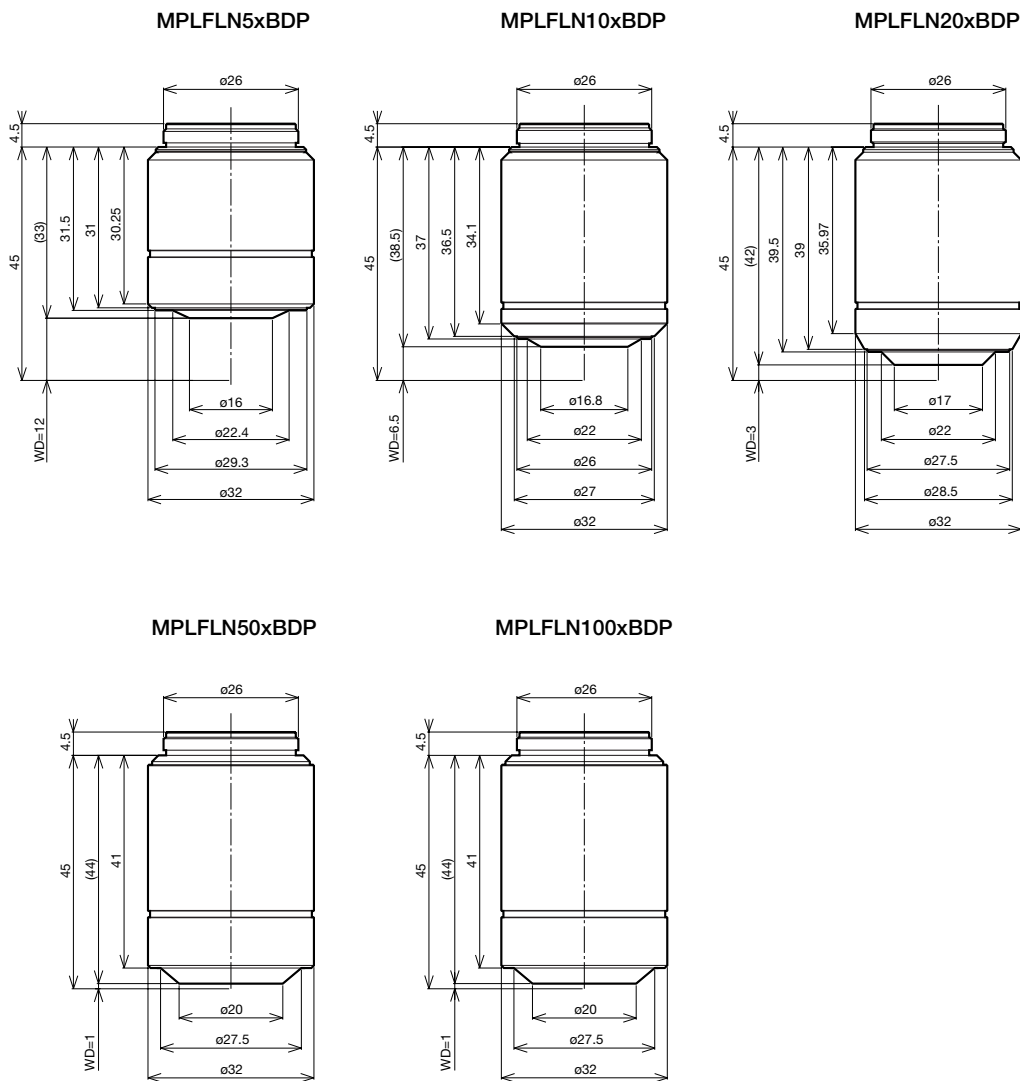
M Plan SemiApochromat BDP

(BDP:Brightfield/Darkfield/Polarizing)

MPLFLN-BDP series



Plan SemiApochromat objective lenses, giving high-level correction for chromatic aberration. The series secures a W.D. of 1mm or longer. Since the exit pupil position of the 5x-100x objective lenses is standardized, the position of the DIC prism does not have to be switched when changing the magnification. The BDP series optimizing brightfield/darkfield and polarized light characteristics is perfect for Nomarski DIC and polarized light observations



Unit: mm

UIS2 objective lenses					Widfield eyepiece WHN10x Field Number 22			Super widefield eyepiece SWH10x Field Number 26.5		
Objective lens (magnification)	Numerical Aperture	Working distance (mm)	Focal distance f (mm)	Weight (g)	Total magnifications	Practical field of view (mm)	Depth of focus (μ m)	Total magnifications	Practical field of view (mm)	Depth of focus (μ m)
MPLFLN 5xBDP	0.15	12.0	36	95.5	50	4.4	59	50	5.3	59
MPLFLN 10xBDP	0.25	6.5	18	83.3	100	2.2	18	100	2.7	18
MPLFLN 20xBDP	0.40	3.0	9	88.5	200	1.1	6.1	200	1.3	6.1
MPLFLN 50xBDP	0.75	1.0	3.6	100.5	500	0.44	1.4	500	0.53	1.4
MPLFLN 100xBDP	0.90	1.0	1.8	101.5	1000	0.22	0.73	1000	0.27	0.73

Screw: W26x0.706

UIS2 OBJECTIVE LENSES

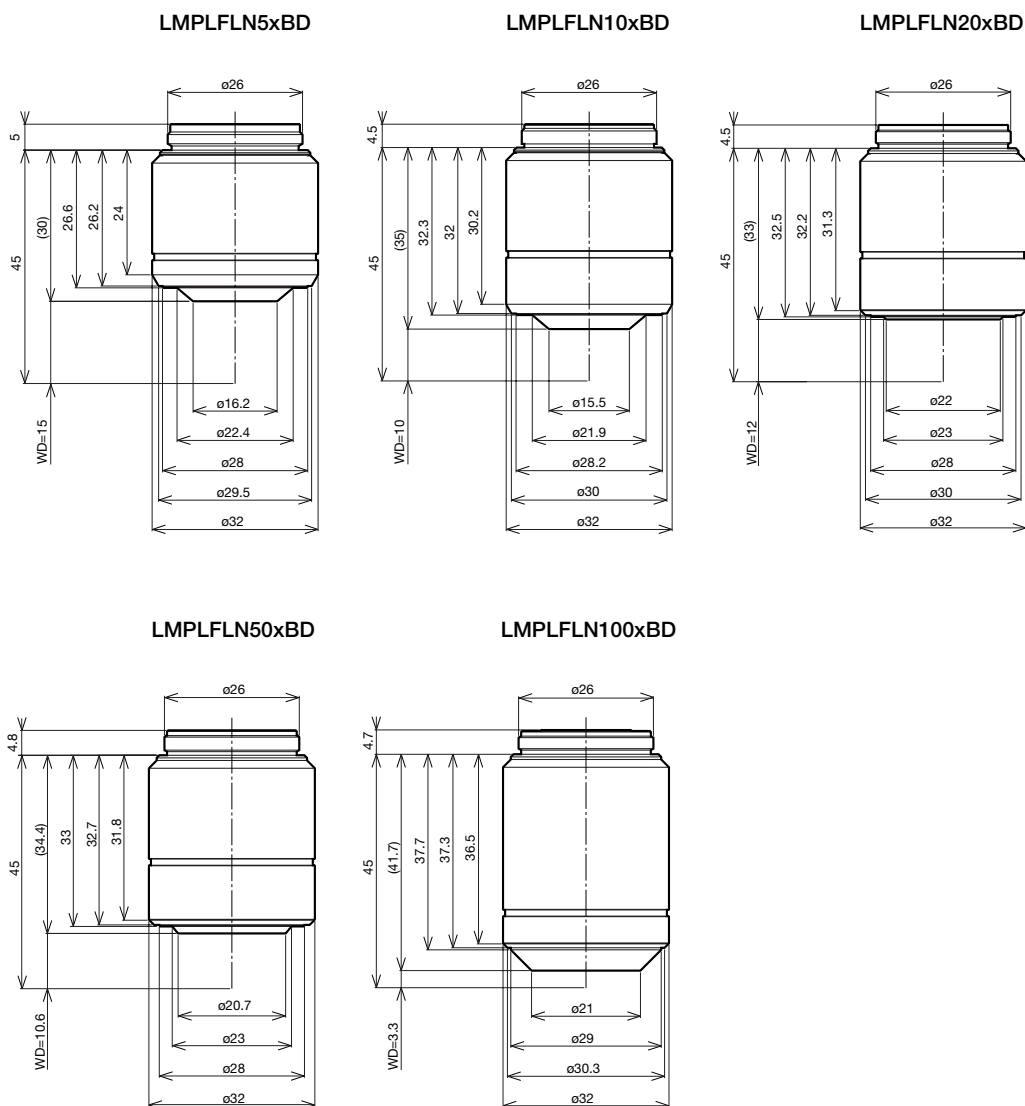
Long WD M Plan SemiAchromat BD

LMPLFLN-BD series



Long working distance Plan SemiAchromat objective lenses, giving high-level correction for chromatic aberration. Suitable with samples having a height difference and in preventing collision, as the working distance is long.

Also, since the exit pupil position of the 5x-100x objective lenses is standardized, the position of the DIC prism does not have to be switched when changing the magnification.



Unit: mm

UIS2 objective lenses					Widefield eyepiece WHN10x Field Number 22			Super widefield eyepiece SWH10x Field Number 26.5		
Objective lens (magnification)	Numerical Aperture	Working distance (mm)	Focal distance f (mm)	Weight (g)	Total magnifications	Practical field of view (mm)	Depth of focus (μm)	Total magnifications	Practical field of view (mm)	Depth of focus (μm)
LMPLFLN 5xBD	0.13	15.0	36	81	50	4.4	70	50	5.3	70
LMPLFLN 10xBD	0.25	10.0	18	84	100	2.2	18	100	2.7	18
LMPLFLN 20xBD	0.40	12.0	9	86	200	1.1	6.1	200	1.3	6.1
LMPLFLN 50xBD	0.50	10.6	3.6	85	500	0.44	2.5	500	0.53	2.5
LMPLFLN 100xBD	0.80	3.3	1.8	102	1000	0.22	0.87	1000	0.27	0.87

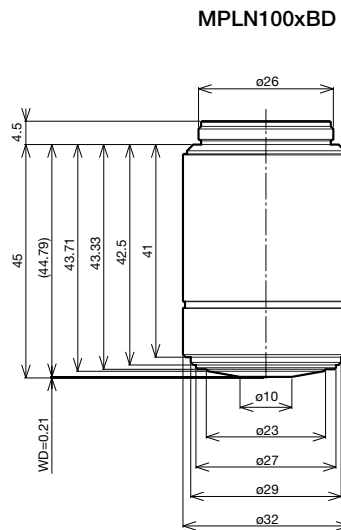
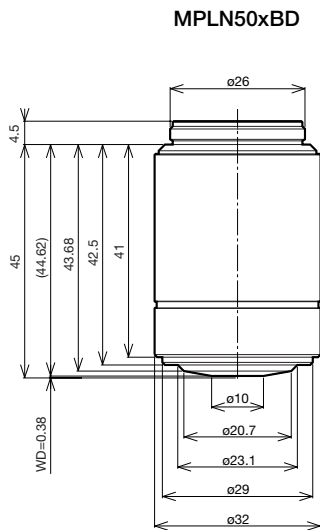
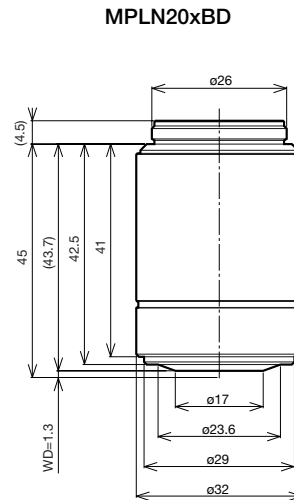
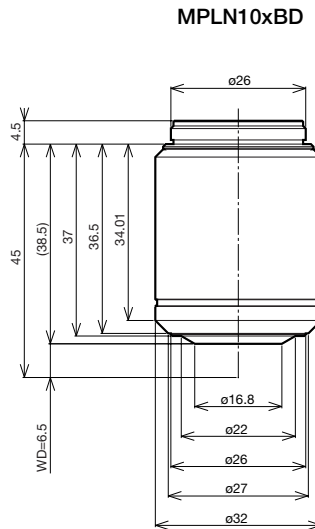
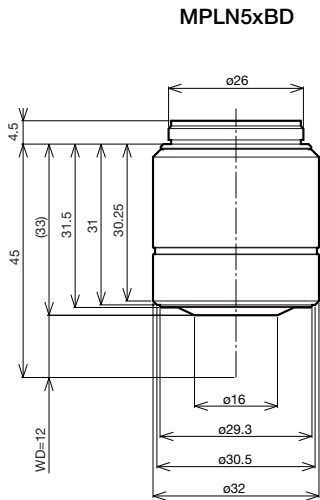
Screw: W26x0.706

UIS2 OBJECTIVE LENSES

M Plan Achromat BD

MPLN-BD series

Plan Achromat objective lenses providing excellent image flatness up to F.N. 22.



Unit: mm

UIS2 objective lenses					Widefield eyepiece WHN10x Field Number 22		
Objective lens (magnification)	Numerical Aperture	Working distance (mm)	Focal distance f (mm)	Weight (g)	Total magnifications	Practical field of view (mm)	Depth of focus (μ m)
MPLN 5xBD	0.10	12.0	36	137	50	4.4	98
MPLN 10xBD	0.25	6.5	18	155	100	2.2	18
MPLN 20xBD	0.40	1.3	9	162	200	1.1	6.1
MPLN 50xBD	0.75	0.38	3.6	157	500	0.44	1.4
MPLN 100xBD	0.90	0.21	1.8	160	1000	0.22	0.73

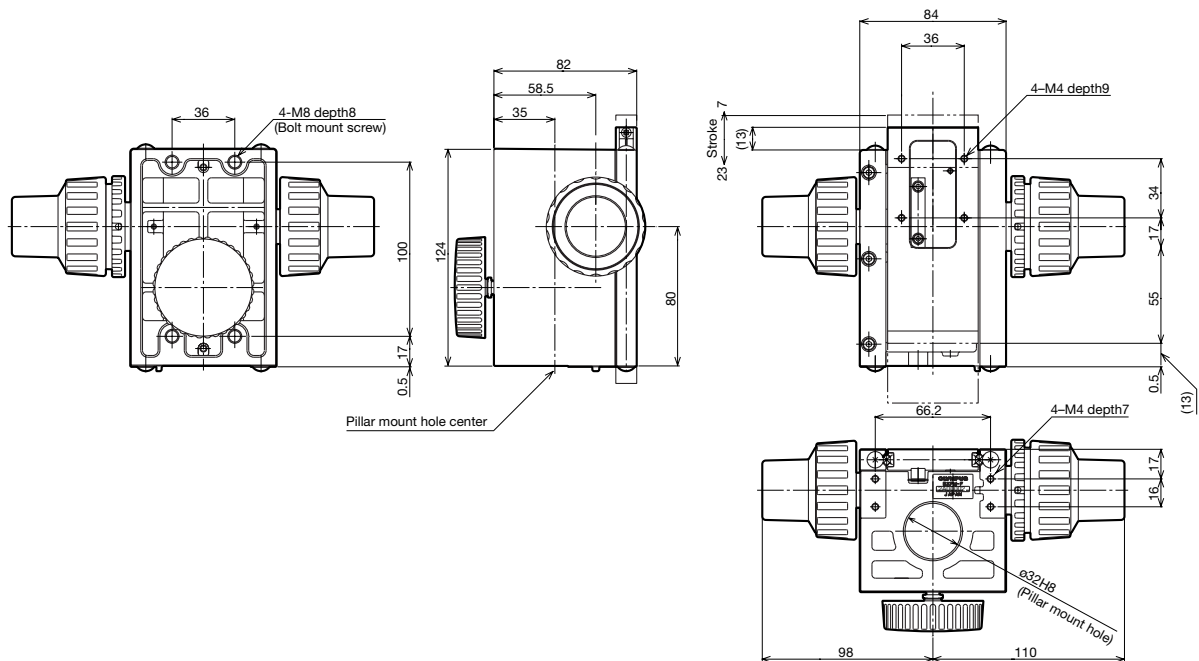
Screw: W26x0.706

MICROSCOPE SYSTEM BXFM

BXFM frame

BXFM-F

Widely used system that allows use in combination with fiber illumination, motorized revolving nosepiece and telan lens unit. Can easily be integrated into other equipment. Attach to the equipment by rear bolt mounting screw or pillar mounting hole.



Weight: 1.9kg

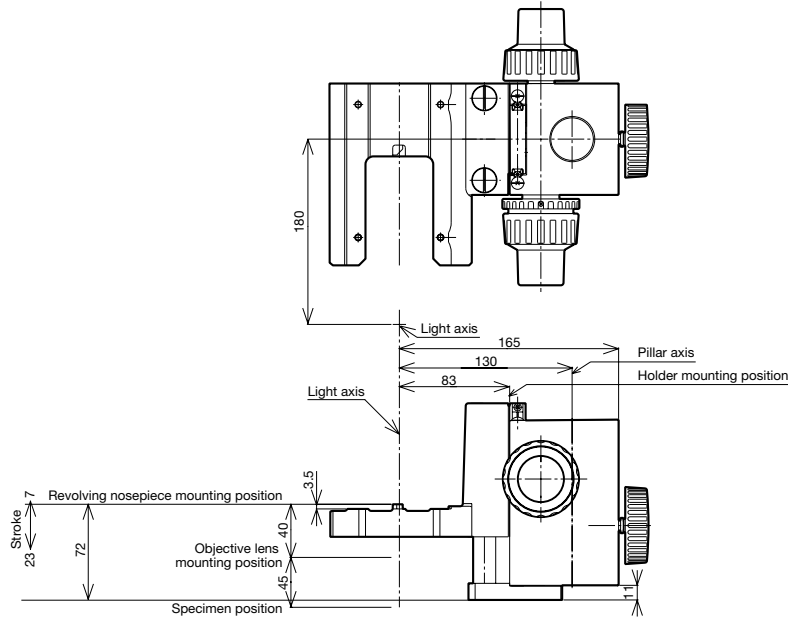
Unit: mm

MICROSCOPE SYSTEM BXFM

BXFM

BXFM-F+BXFM-ILH+BXFM-ILHSPU

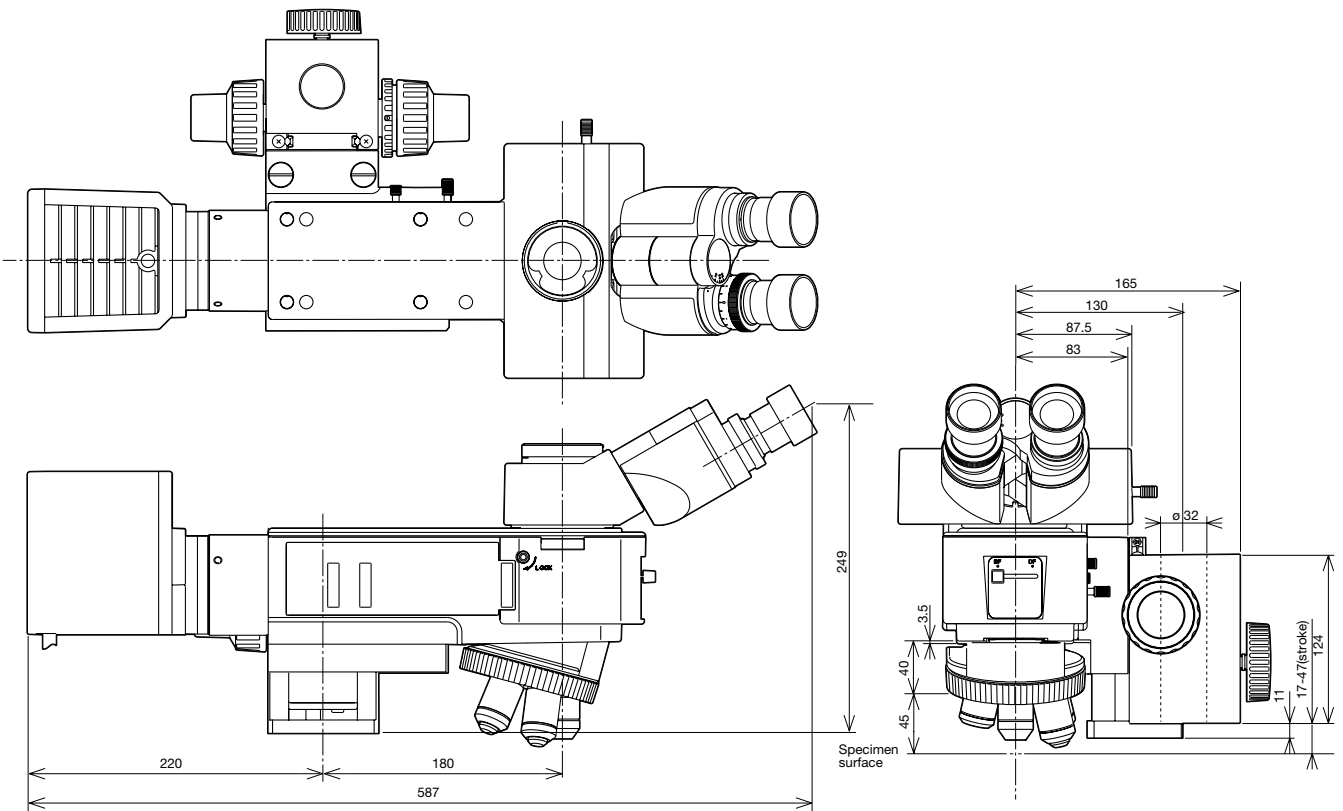
Accommodates the reflected light brightfield/darkfield and fluorescence illuminators.



Weight: 3.2kg

Unit: mm

BXFM combination sample BXFM-F+BXFM-ILH+BXFM-ILHSPU+TR30-2+BX-RLA2+U-LH100L-3



Weight: 8.2kg (exclude objective lens)

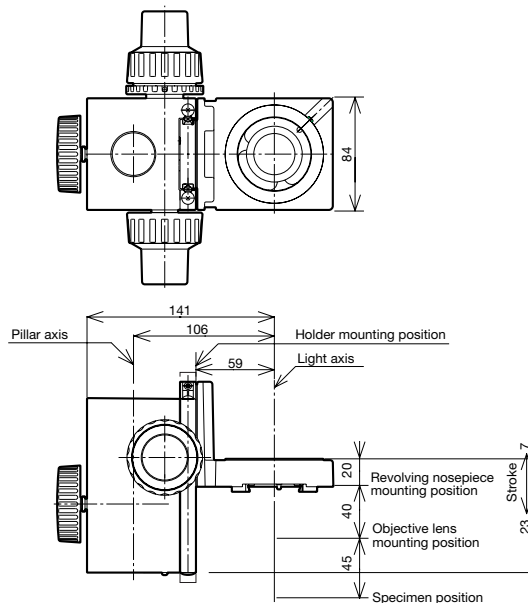
Unit: mm

* For installation dimensions, refer to those for the BXFM-F (page 19).

BXFM-S

BXFM-F+BXFM-ILHS

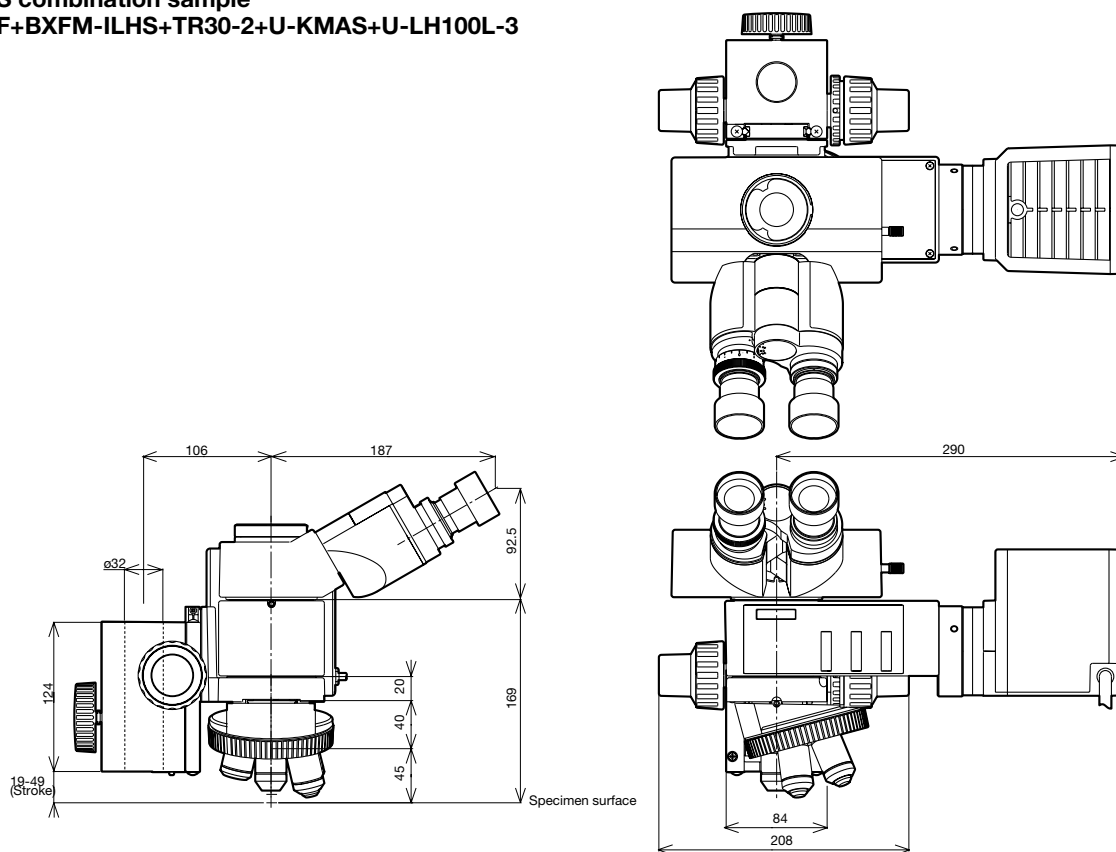
Compact focusing unit suitable for building into existing equipment.



Weight: 2.4kg

Unit: mm

BXFM-S combination sample BXFM-F+BXFM-ILHS+TR30-2+U-KMAS+U-LH100L-3



Weight: 5.5kg (exclude objective lens)

Unit: mm

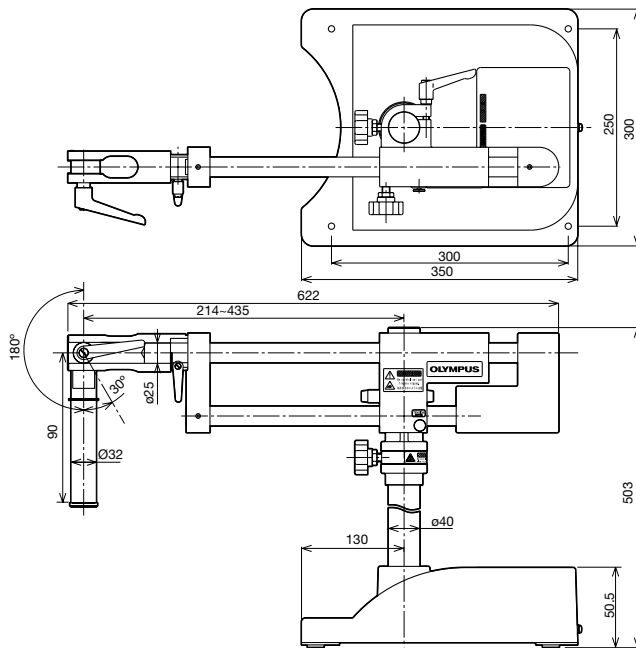
* For installation dimensions, refer to those for the BXFM-F (page 19).

MICROSCOPE SYSTEM BXFM

Stands

A wide variety of stands are available to suit different applications and purposes.

SZ2-STU2
Universal stand type 2

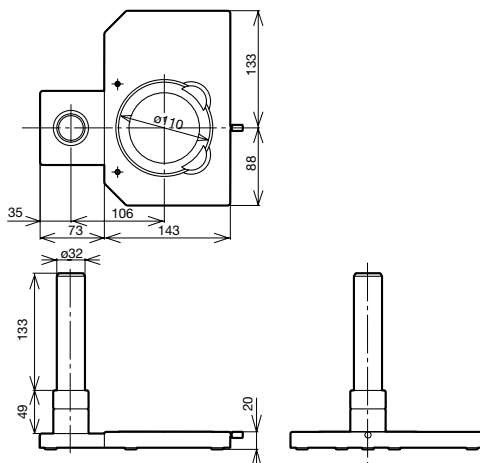


* The rotation angle of the horizontal arm can restrict to 90 degrees with stopper.

Major specifications

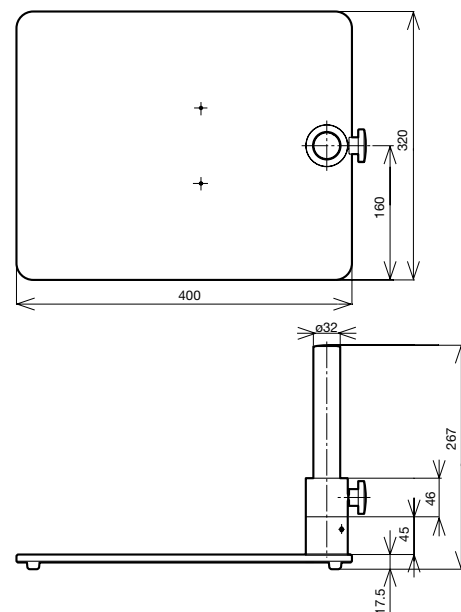
Item	Specifications
1 Diameter of focusing arm or fixing section of tube	ø32mm
2 Vertical pole diameter	ø40mm
3 Horizontal poles diameters	ø25mm (both upper and lower poles)
4 Stroke	Horizontal: 234mm, Vertical: 205mm
5 Movement range	Horizontal: 541 (435+106) mm max. Vertical pole — BXFM-S optical axis)
6 Maximum specimen weight	Forward: 10kg (within 90-degree area) Transverse direction: 6kg Backward direction: 7kg (at maximum stroke)
7 Weight	30kg

U-ST
Compact stand



Weight: 1.8kg

SZ-STL
Large stand



Weight: 5kg

Unit: mm

ILLUMINATION UNITS

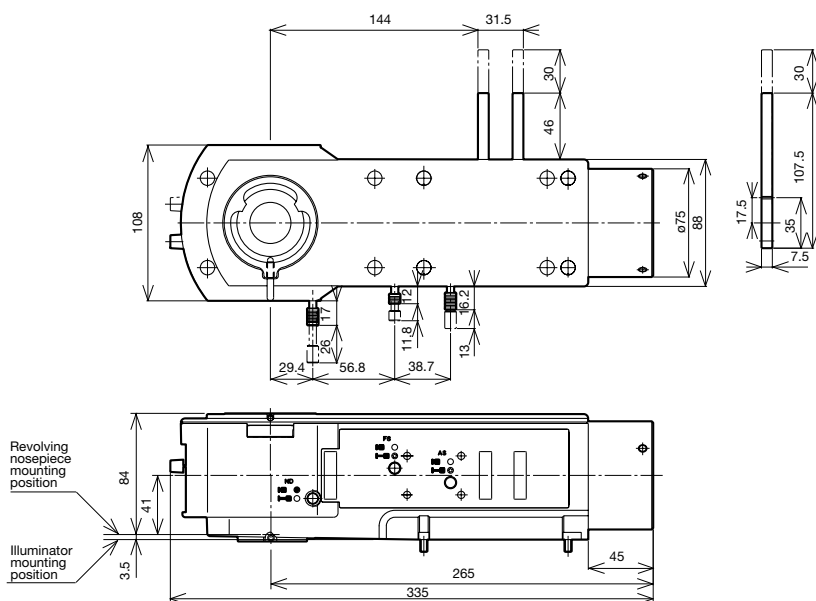
Reflected light illuminator for BF/DF

BX-RLA2

ND filters are linked when exchanging between brightfield and darkfield.

Accessories

Unit name	Description	Weight (g)
U-25LBD	LBD filter slider	20
U-25IF550	IF550 filter slider	20
U-25ND6	ND filter	20
U-25ND25	ND filter	20
U-25FR	Frost filter slider	20
U-25L42	UV-cut filter	20
U-PO3	Polarizer slider for reflected light	71
U-POTP3	Polarizer slider for reflected light with tint plate	71
U-AN360-3	360° rotatable analyzer slider	79
U-AN	Analyzer slider for reflected light	50
U-DICR	DIC slider for reflected light	130
U-DICRH	DIC slider for reflected light (high resolution type)	130
U-DICRHC	DIC slider for reflected light (high contrast type)	130



Weight: 3.4kg

Universal reflected light illuminator

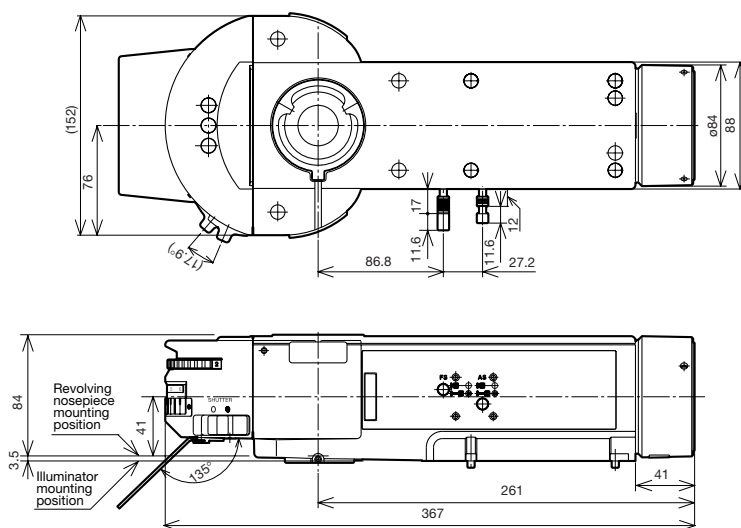
BX-URA2

Suitable for observations ranging from brightfield to fluorescence.

Six mirror units can be attached to this reflected light illuminator simultaneously.

Accessories

Unit name	Description	Weight (g)
U-25LBD	LBD filter slider	20
U-25IF550	IF550 filter slider	20
U-25ND6	ND filter	20
U-25ND25	ND filter	20
U-25FR	Frost filter slider	20
U-25L42	UV-cut filter	20
U-PO3	Polarizer slider for reflected light	71
U-POTP3	Polarizer slider for reflected light with tint plate	71
U-AN360-3	360° rotatable analyzer slider	79
U-AN	Analyzer slider for reflected light	50
U-DICR	DIC slider for reflected light	130
U-DICRH	DIC slider for reflected light (high resolution type)	130
U-DICRHC	DIC slider for reflected light (high contrast type)	130
U-MBF3	Mirror unit for reflected brightfield	80
U-MDF3*	Mirror unit for reflected darkfield	80
U-MDIC3	Mirror unit for reflected DIC	80
U-MBFL3	Mirror unit for reflected brightfield, for high intensity light source	80
U-MWUS3	Fluorescence mirror unit for reflected (U excitation)	80
U-MWBS3	Fluorescence mirror unit for reflected (B excitation)	80
U-MWGS3	Fluorescence mirror unit for reflected (G excitation)	80



Weight: 3.8kg

* U-RCV (DF converter for BX-URA2) is needed with darkfield observation.

Unit: mm

ILLUMINATION UNITS

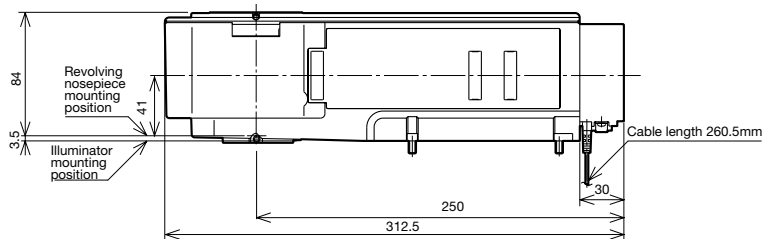
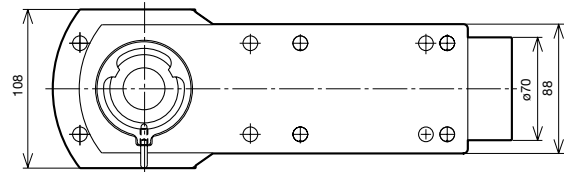
Reflected light illuminators for BF

BX-KMA/BX-KMA-ESD

Enables brightfield, Nomarski DIC and simple polarizing observations. ESD model is also available.

Accessories

Unit name	Description	Weight (g)
U-25LBD	LBD filter slider	20
U-25IF550	IF550 filter slider	20
U-25ND6	ND filter	20
U-25ND25	ND filter	20
U-25FR	Frost filter slider	20
U-25L42	UV-cut filter	20
U-PO3	Polarizer slider for reflected light	71
U-POTP3	Polarizer slider for reflected light with tint plate	71
U-AN360-3	360° rotatable analyzer slider	79
U-AN	Analyzer slider for reflected light	50
U-DICR	DIC slider for reflected light	130
U-DICRH	DIC slider for reflected light (high resolution type)	130
U-DICRHC	DIC slider for reflected light (high contrast type)	130

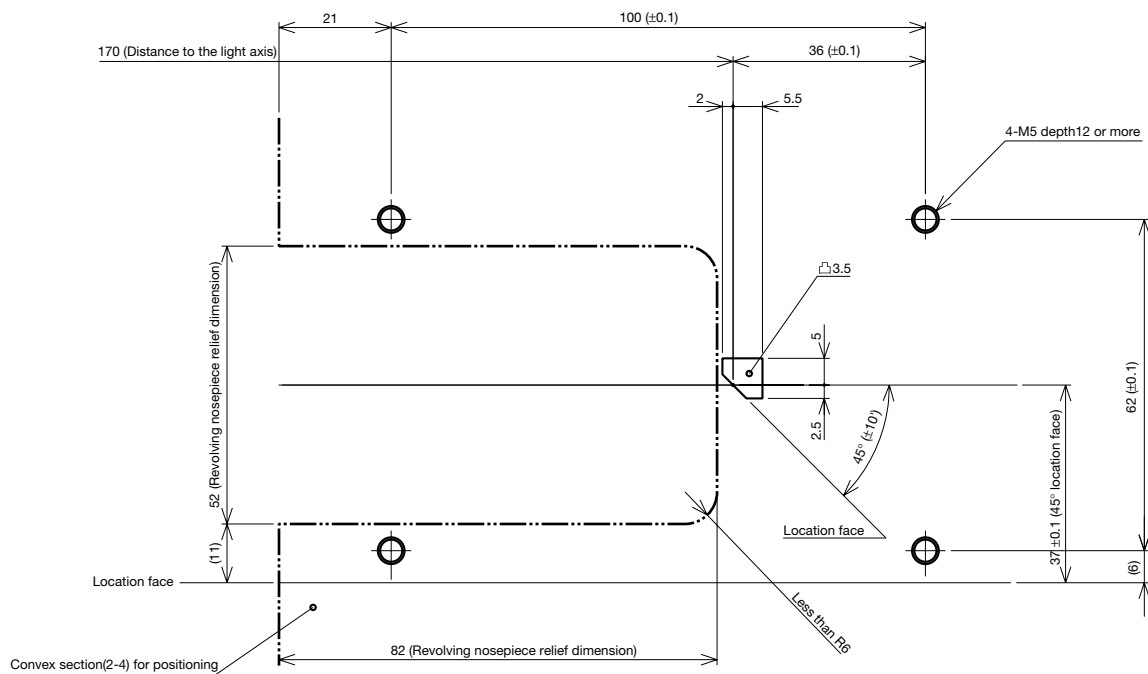


* Combine SZX-TLGAD when using fiber illumination.

Weight: 3.1kg

Unit: mm

MOUNTING DIMENSIONS OF ILLUMINATORS (BX-RLA2, BX-URA2 and BX-KMA/BX-KMA-ESD)



Fix illuminator using four M5 screws and projection for fastening.

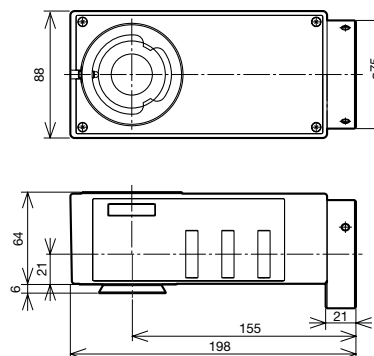
Unit: mm

Reflected light illuminator for BF U-KMAS

Very compact reflected light illuminator with reduced depth.

Accessories

Unit name	Description	Weight (g)
U-25LBD	LBD filter slider	20
U-25IF550	IF550 filter slider	20
U-25ND6	ND filter	20
U-25ND25	ND filter	20
U-25FR	Frost filter slider	20
U-25L42	UV-cut filter	20
U-PO3	Polarizer slider for reflected light	71
U-POTP3	Polarizer slider for reflected light with tint plate	71
U-AN360-3	360° rotatable analyzer slider	79
U-AN	Analyzer slider for reflected light	50
U-DICR	DIC slider for reflected light	130
U-DICRH	DIC slider for reflected light (high resolution type)	130
U-DICRHC	DIC slider for reflected light (high contrast type)	130



Weight: 1.2kg

Unit: mm

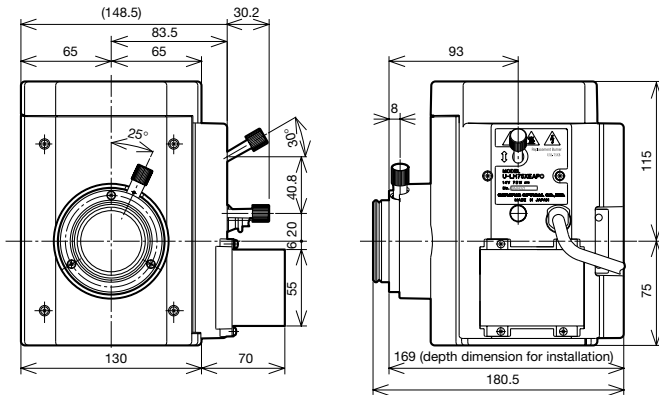
LAMP HOUSING & ACCESSORIES

Lamp housings

Various different lamp housings are available, for use with different light sources: choose to suit the intended purpose.

* If you use the units in your production line, please consult your nearest Olympus representative in your region about the use conditions beforehand.

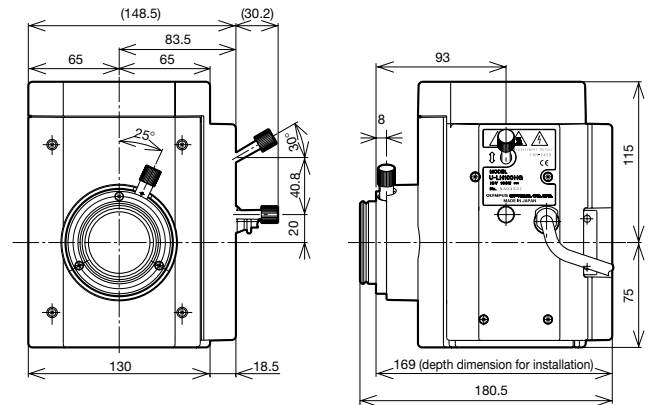
U-LH75XEAP0
75W xenon apo lamp housing



Cable length 2,000mm Accepted lamp: UXL-75XB Weight: 3.1kg

*Power supply unit (U-RX-T200) and power cable (UYCP) are necessary for 75W xenon lamp housing. These items are sold separately.
U-RX-T200 dimensions: 115(W)x195(D)x260(H), weight approx. 3kg

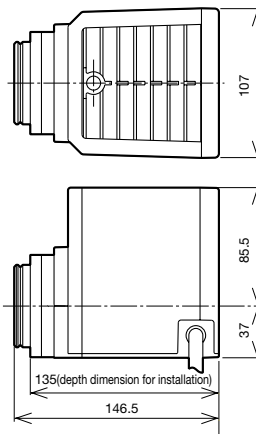
U-LH100HGAPO
100W mercury apo lamp housing
U-LH100HG
100W mercury lamp housing



Cable length 2,000mm Accepted lamp: USH-103OL Weight: 2.7kg

* Power supply unit (U-RFL-T200) and power cable (UYCP) are necessary for 100W mercury lamp housings. These items are sold separately.
U-RFL-T200 dimensions: 150(W)x295(D)x200(H), weight approx. 4.8kg

U-LH100-3/U-LH100IR/U-LH100L-3
100W halogen lamp housings



Cable length U-LH100-3: 290mm Weight: 880g
U-LH100IR: 290mm
U-LH100L-3: 800mm

Accepted lamp: 12V100WHAL (high intensity lamp)
12V100WHAL-L (long life lamp)

* External power supply (TH4-100 or TH4-200) and power cable (UYCP) are necessary for 100W halogen lamp housings. These items are sold separately. For TH4-100/200 installation dimensions, refer to the next page.

Unit: mm

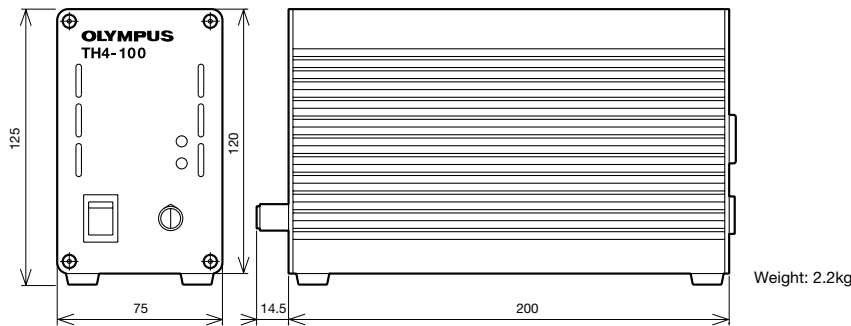
LAMP HOUSING & ACCESSORIES

Lamp housing accessories

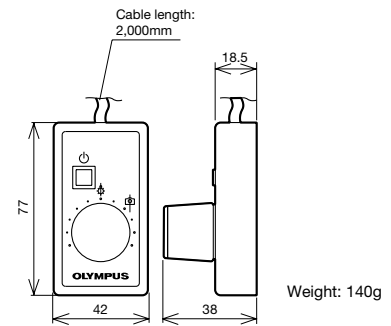
For the 100W halogen lamp, the external power supply TH4-100/200 with an intensity adjustment switch and an ON/OFF switch, both are located close to the operator's hand, are provided. All Olympus reflected light illuminators can be used with fiber illumination.

* If you use the units in your production line, please consult your nearest Olympus representative in your region about the use conditions beforehand.

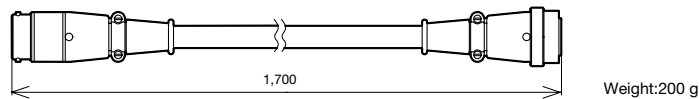
TH4-100/200
External power supply



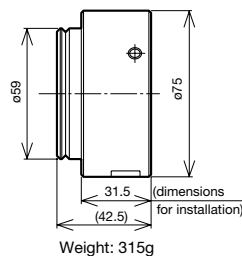
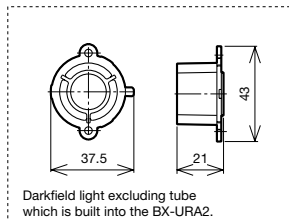
TH4-HS
Hand switch



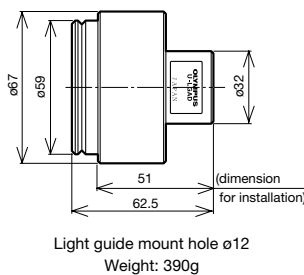
U-RMT
Extension cord



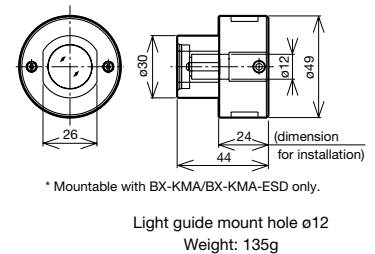
U-RCV
DF converter for BX-URA2



U-LGAD
Fiber adapter for reflected light observation



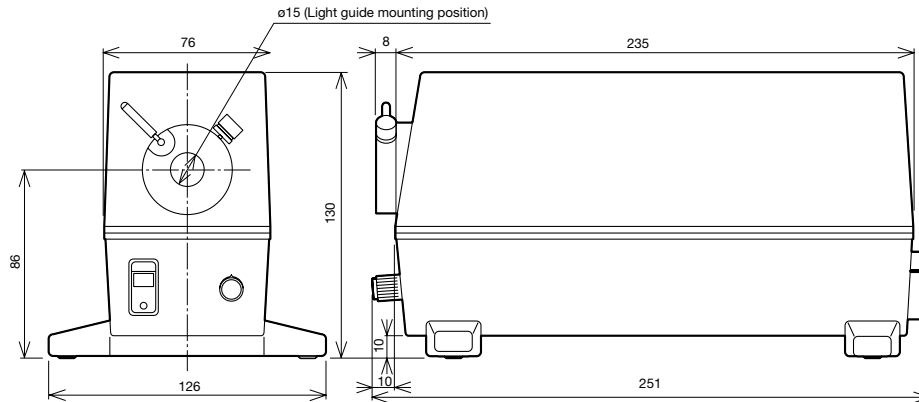
SZX-TLGAD
Transmitted light guide adapter



Unit: mm

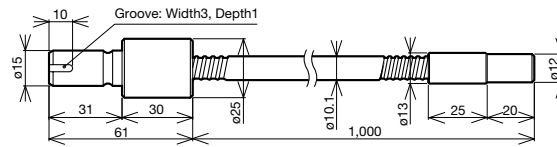
LAMP HOUSING & ACCESSORIES

LG-PS2*
Light source



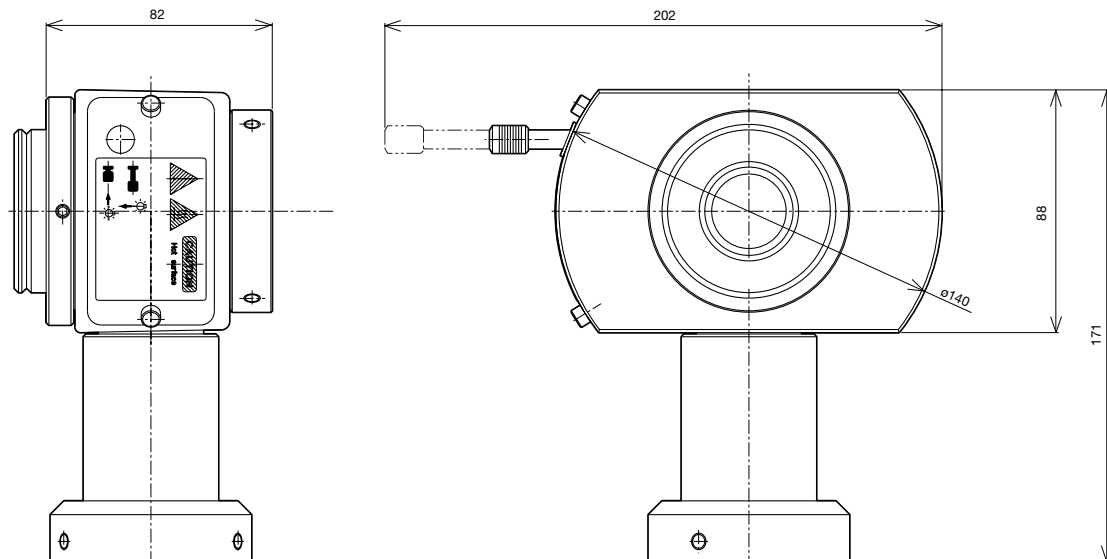
*The types of model varies by country in use.
Weight: 1.6kg

LG-SF
Light guide



Weight: 210g

U-DULHA
Double lamp house adapter



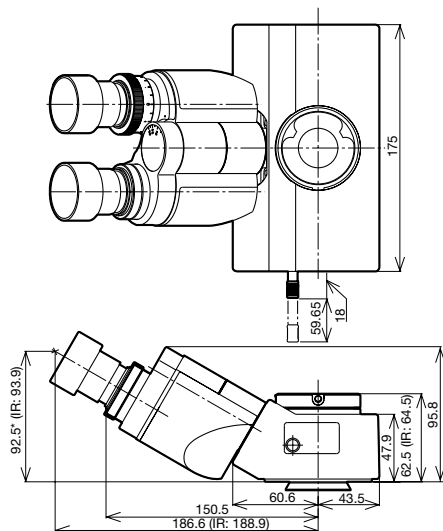
Weight: 1.2kg Unit: mm

OBSERVATION TUBES

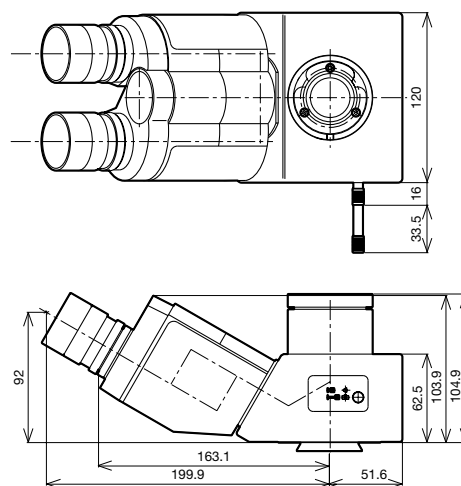
Widefield trinocular observation tubes

Trinocular observation tubes with widefield of view. Compatible with F.N. 22.

**U-TR30-2/
Widefield trinocular tube
U-TR30IR
Widefield trinocular tube for IR**



**U-ETR-4
Widefield erect image trinocular tube**



Unit: mm

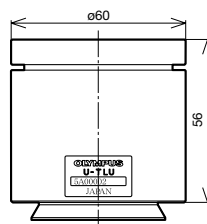
Name	Field Number (F.N.)	Inclination angle (degree)	Interpupillary distance (mm)	Light path selector (eyepiece/video port)	Observation image	Weight (g)
U-TR30-2	22	30	50-76	100/0, 20/80, 0/100	Inverted	1600
U-TR30IR	22	30	50-76	100/0, 0/100	Inverted	1600
U-ETR-4	22	30	50-76	100/0, 0/100	Erect	1900

Length marked with an asterisk () may vary according to interpupillary distance. The distance for figure shown is 62mm.

Single port tube with lens

When the visual observation is not needed and only video observation is required, a single port tube with a built-in telan lens can be attached directly to the video port.

**U-TLU
Single port tube with lens
U-TLUIR
Single port tube with lens for IR**



Weight: 350g

- For attachable video camera adapters, refer to video camera adapters system diagram page (pages 5-6).

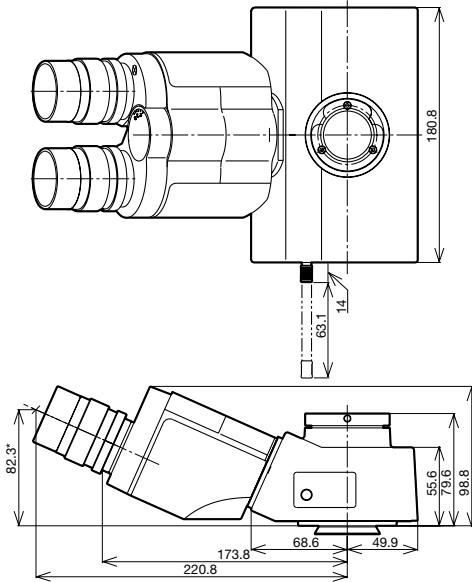
Unit: mm

OBSERVATION TUBES

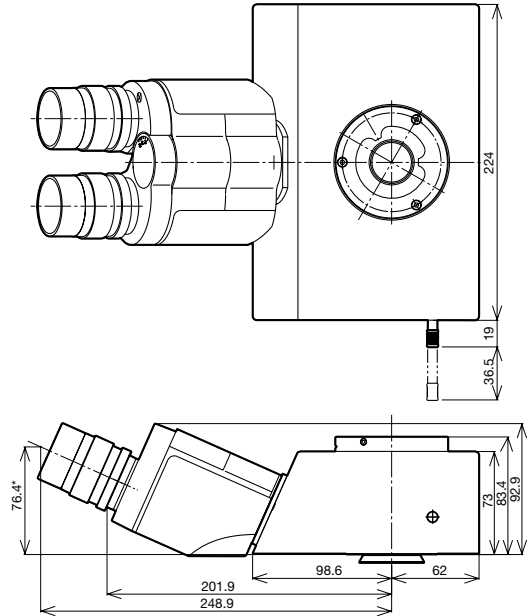
Super widefield trinocular observation tubes

Trinocular observation tubes with super widefield of view. Compatible with F.N. 26.5.

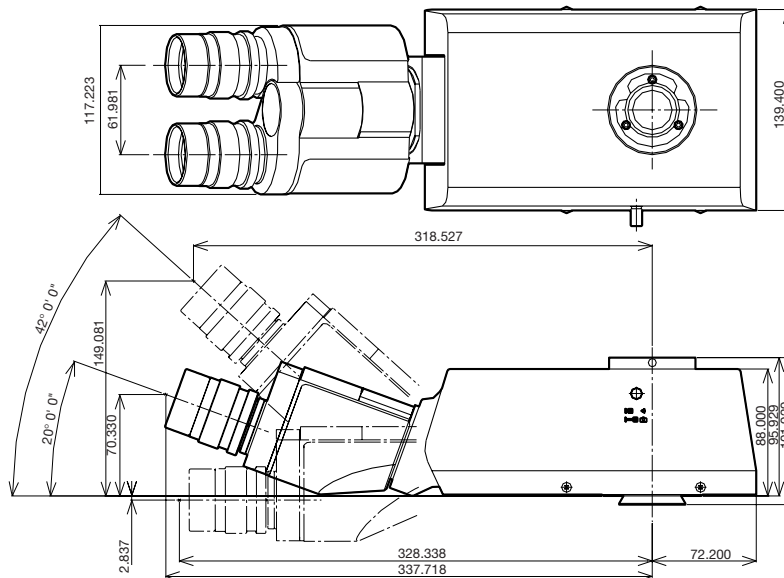
U-SWTR-3
Super widefield trinocular tube



U-SWETR
Super widefield erect image trinocular tube



MX-SWETTR
Super widefield erect image tilting trinocular tube



Unit: mm

Name	Field Number (F.N.)	Inclination angle (degree)	Interpupillary distance (mm)	Light path selector (eyepiece/video port)	Observation image	Weight (g)
U-SWTR-3	26.5	24	50-76	100/0, 20/80, 0/100	Inverted	2300
U-SWETR	26.5	24	50-76	100/0, 0/100	Erect	4200
MX-SWETTR	26.5	0-42	50-76	100/0, 0/100	Erect	4200

Length marked with an asterisk () may vary according to interpupillary distance. The distance for figure shown is 62mm.

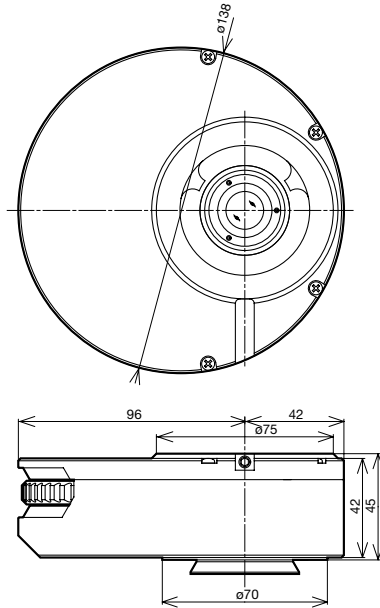
INTERMEDIATE TUBES & ACCESSORIES

Intermediate tubes

Various accessories for various observation need.

U-CA Magnification changer

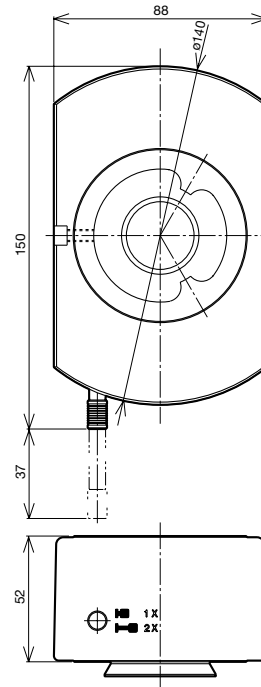
Provides 1x, 1.2x, 1.6x and 2x intermediate magnifications.



Weight: 1.3kg

U-ECA Magnification changer 2x

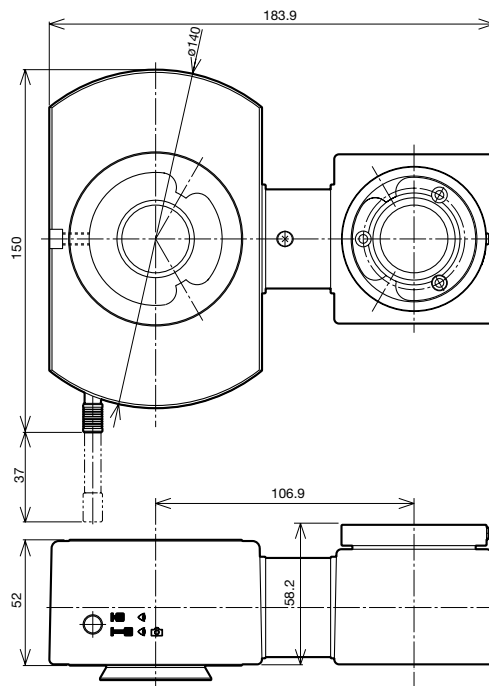
Provides 1x and 2x intermediate magnifications.



Weight: 1.3kg

U-TRU Trinocular intermediate attachment

Intermediate attachment which divides the light path, allowing attachment of both digital and video cameras.



BI:PT=100:0/20:80

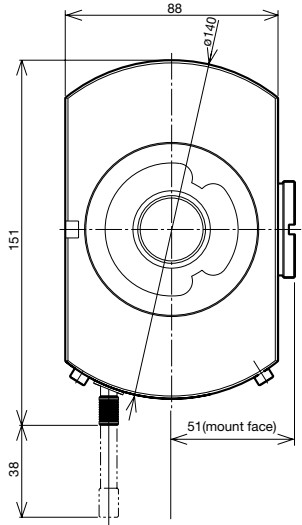
Weight: 1.3kg

Unit: mm

INTERMEDIATE TUBES & ACCESSORIES



U-DP Dual port

Use this intermediate tube to divide the light path.



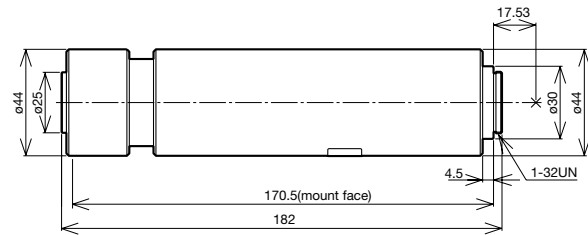
Weight: 1kg

Light path selector by mirror unit

-  Transmitted side port: side port = 100:0
-  Transmitted side port: side port = 70:30 (with use of U-MBF3)

U-DP1xC Dual port 1x

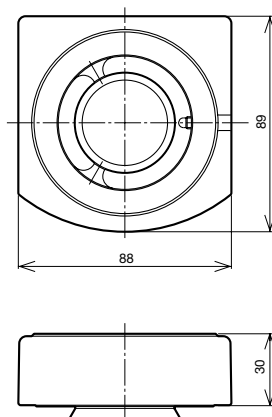
Combine with U-DP to obtain a 1x image.



Weight: 500g

U-EPA2 Eyepoint adjuster

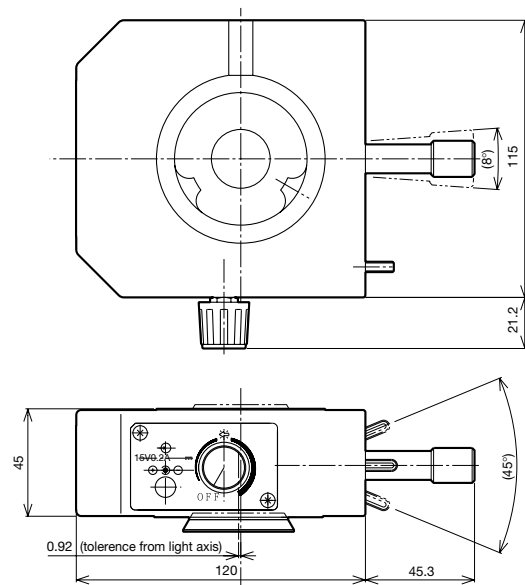
Raises eyepoint by 30mm.



Weight: approximately 500g

U-APT Arrow pointer

Projects an arrow into the field of view.



Weight: 1.2kg

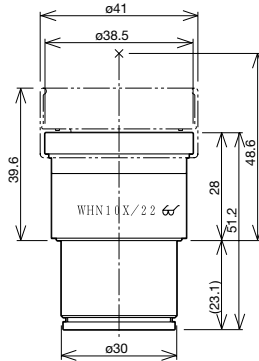
Unit: mm

EYEPIECES/FILAR MICROMETER EYEPIECE

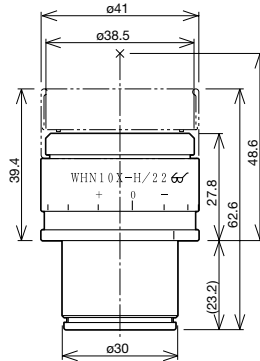
Eyepieces

Eyepieces for UIS2 optical system.

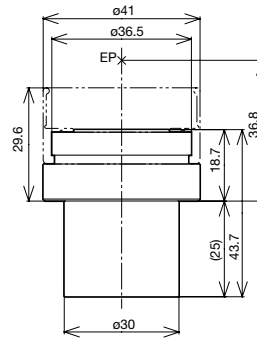
WHN10x
Widefield eyepiece



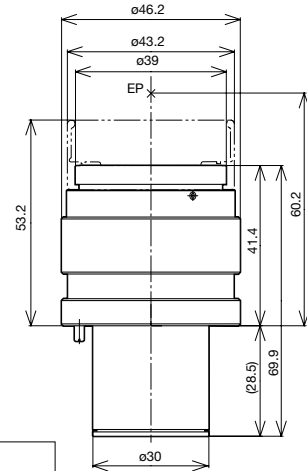
WHN10x-H
CROSSWHN10x
Widefield eyepieces



WH15x
Widefield eyepiece



SWH10x-H
MICROSSWH10x
CROSSSWH10x
Super widefield eyepieces



Name	Field Number	Diopter adjustment range (1/m)	Micrometer diameter (mm)	Weight (g)	Remarks
WHN10x	22	—	24	90	
WHN10x-H	22	-8 — +5	24	170	With adjustable diopter
CROSSWHN10x	22	-8 — +5	—	170	With cross lines and adjustable diopter
WH15x	14	—	24	90	
SWH10x-H	26.5	-8 — +2	—	210	With adjustable diopter
MICROSSWH10x	26.5	-8 — +2	—	210	With micrometer and adjustable diopter
CROSSSWH10x	26.5	-8 — +2	—	210	With cross lines and adjustable diopter

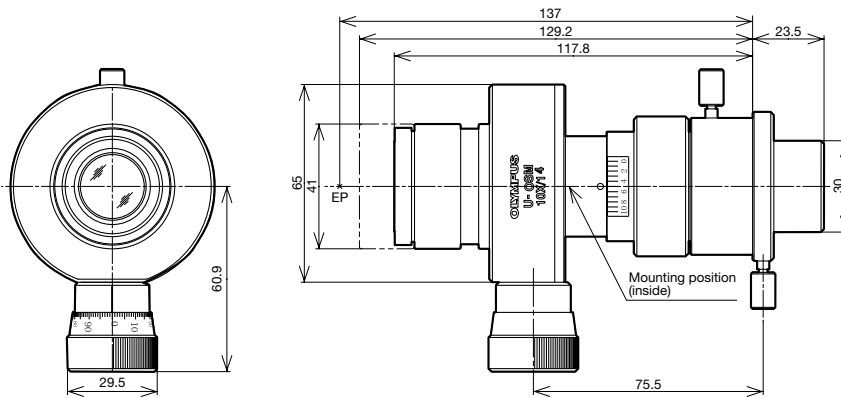
*EP=eyepoint

Unit: mm

Filar micrometer eyepiece

U-OSM

Used for precise measurement in the field of view.



Weight: 580g

Eyepiece	Magnification 10X, erect image (inverted when used with erect image observation tube), F.N. 14. Diopter adjustment range: ± 5 1/m. Provided with rubber eye shade.
Measuring scale	Scale lines graduated in increments of 1mm in the entire 10mm length. Shift of scale lines: 1mm per rotation of the shift ring, the circumference of which is divided into 100 graduations.
Measuring range	10mm/objective lens magnification
Compensation limit for objective lens magnification tolerance	$\pm 5\%$ by combined use of the zoom compensation ring and the provided stage micrometer. Compensation ring clamping screw. Magnification compensation scale.
Actual size	Actual size (mm) = $\frac{\text{Measured value (mm)}}{\text{Objective lens magnification}}$
Repeatability	Repeatability error $\pm \frac{0.007}{A}$ mm (A ... Objective lens magnification)
Accuracy	*Measuring error (A ... Objective lens magnification: L ... Measured length in mm) $\pm [(0.0002 \times A + 0.002) L + \frac{0.007}{A}]$ mm

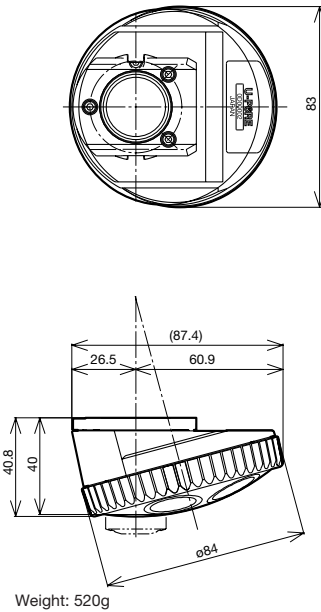
Unit: mm

REVOLVING NOSEPIECES

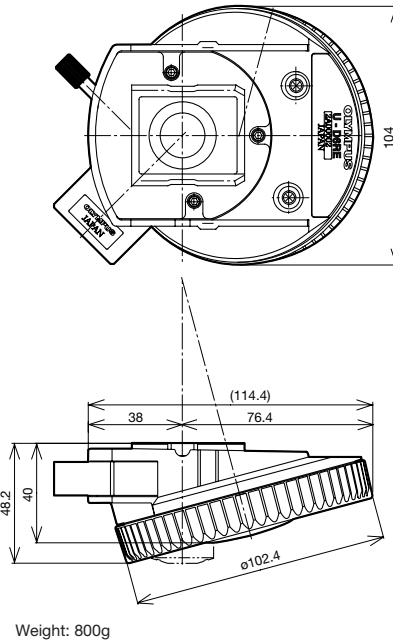
Revolving nosepieces for BF objective lenses

Choose from following 6 types. For motorized nosepieces, refer to motorized unit page.

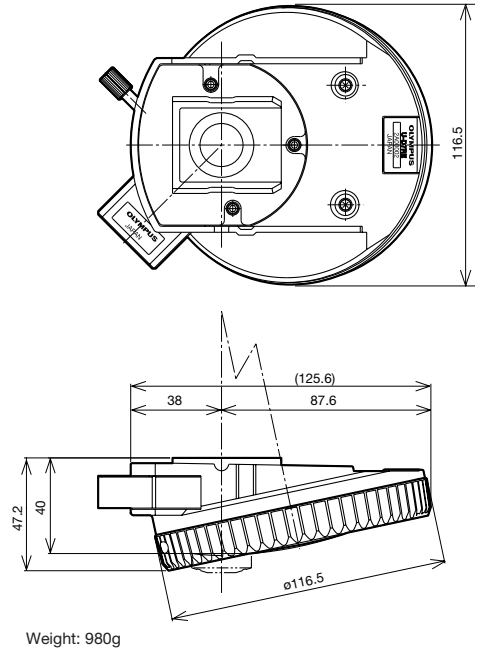
U-5RE-2
Quintuple revolving nosepiece



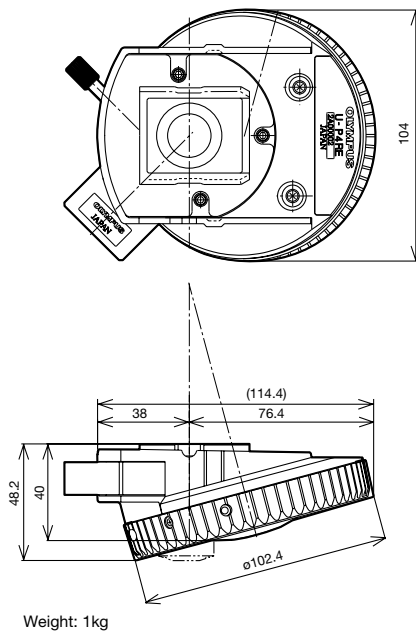
U-D6RE
Sextuple revolving nosepiece with slider slot for DIC
U-D6RE-ESD
Sextuple revolving nosepiece with slider slot for DIC
with ESD treatment



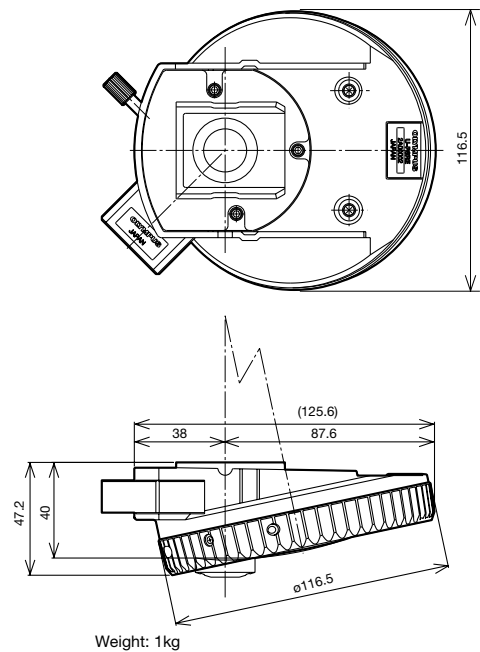
U-D7RE
Septuple revolving nosepiece with slider slot for DIC



U-P4RE
Centerable quadruple revolving nosepiece with
slider slot for DIC



U-P6RE
Centerable sextuple revolving nosepiece with slider slot for DIC



Insert the DIC dummy when not using the DIC slider

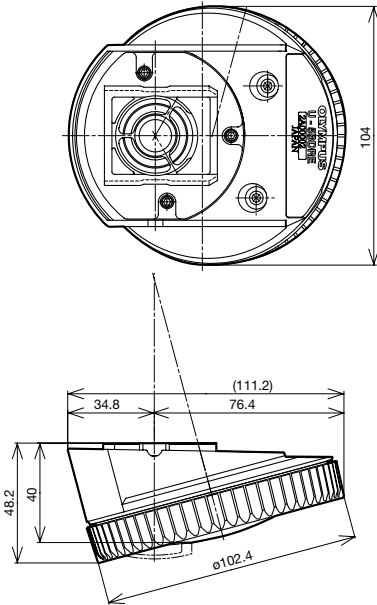
Unit: mm

REVOLVING NOSEPIECES

Revolving nosepieces for BF/DF objective lenses

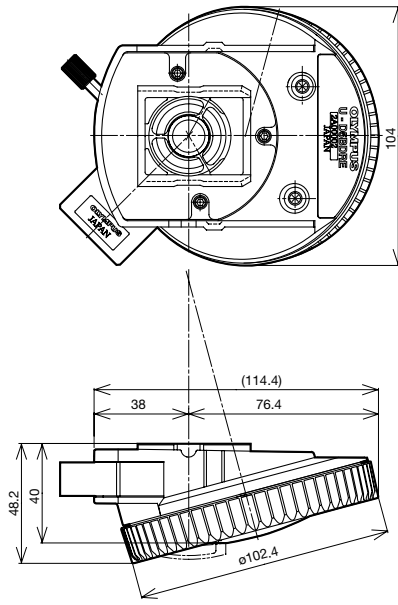
Choose from following 3 types. Use of adapter to mount BF objectives (BD-M-AD) enables attachment of brightfield objective lenses. For motorized nosepieces, refer to motorized unit page.

U-5BDRE
Quintuple revolving nosepiece for BF/DF



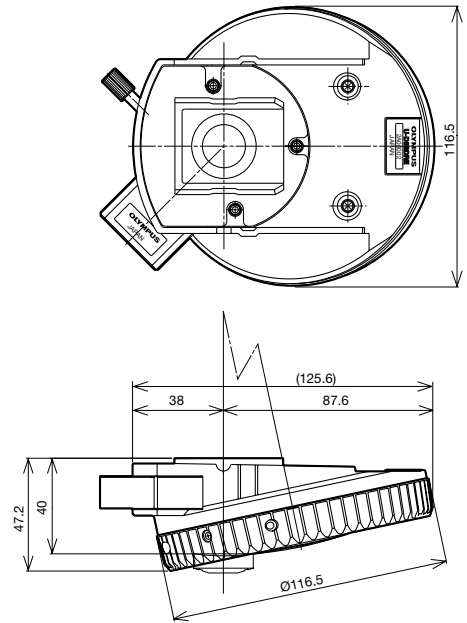
Weight: 800g

U-D5BDRE
Quintuple revolving nosepiece for BF/DF
with slider slot for DIC



Weight: 800g

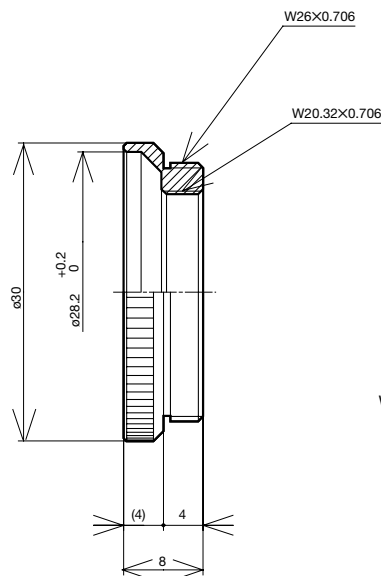
U-D6BDRE
Sextuple revolving nosepiece for BF/DF
with slider slot for DIC/
U-P5BDRE
Centerable quintuple revolving nosepiece



Weight: 1kg

Insert the DIC dummy when not using the DIC slider

BD-M-AD
Adapter to mount BF objectives



Weight: 10g

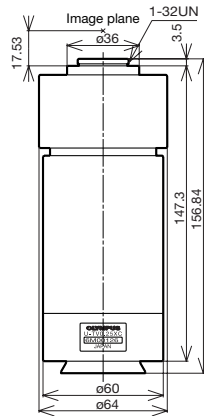
Unit: mm

VIDEO CAMERA ADAPTERS

C-mount video camera ports

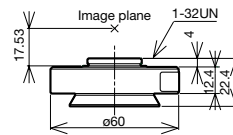
Allows direct attachment of a C-mount video camera. Four types are provided: 0.63x, 0.5x, 0.35x and 0.25x. All models feature a focus adjustment function

U-TV0.25xC
C-mount video port with 0.25x lens



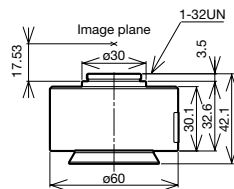
Weight: 1.2kg

U-TV0.35xC-2
C-mount video port with 0.35x lens



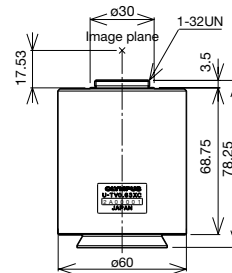
Weight: 100g

U-TV0.5xC-3
C-mount video port with 0.5x lens

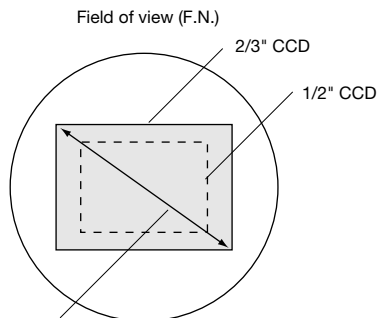


Weight: 200g

U-TV0.63xC
C-mount video port with 0.63x lens



Weight: 430g



Projection area

Unit: mm

Video camera adapter (Projection lens)	Projection magnifications	Projection area (F.N.)		
		2/3" CCD	1/2" CCD	1/3" CCD
U-TV1x-2	1x	11	8	6
U-TV0.63xC	0.63x	17.5	12.7	9.5
U-TV0.5xC-3	0.5x	22	16	12
U-TV0.35xC-2	0.35x	—	22	17.1
U-TV0.25xC	0.25x	—	—	24

$$\text{Practical field of view (mm)} = \frac{\text{Projection area (Field Number)}}{\text{Objective lens magnifications}}$$

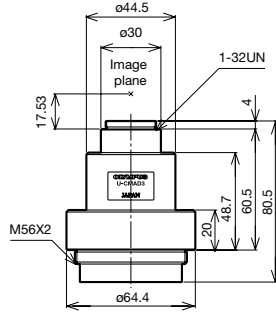
Focus the video camera adapter to prevent defocusing the eyepiece image and defocusing by magnification switching. Generally, the video camera adapter is focused by switching to a low magnification after focusing at a high magnification objective lens.

VIDEO CAMERA ADAPTERS

Video camera mount adapters

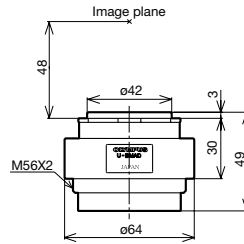
Allows attachment to video cameras with C, Bayonet, Sony and F mounts.
Use with the U-TV1x-2. Focus by amount of screwing into U-TV1x-2.

U-CMAD3
C-mount adapter



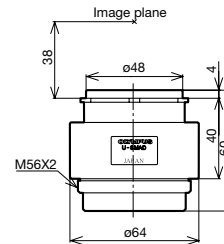
Weight: 165g

U-BMAD
Bayonet mount adapter



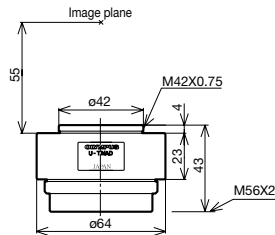
Weight: 80g

U-SMAD
Sony mount adapter



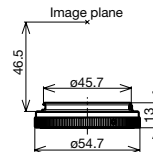
Weight: 90g

U-TMAD
T mount adapter



Weight: 70g

U-FMT
F/T mount adapter *



Weight: 30g

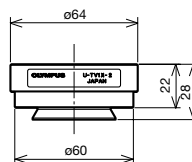
* It must be combined with U-TMAD

Unit: mm

Video camera port

This port can be attached directly to the trinocular observation tube as well as to the single port tube with lens.

U-TV1x-2
Video port 1x



Weight: 150g

Unit: mm

MOTORIZED UNITS

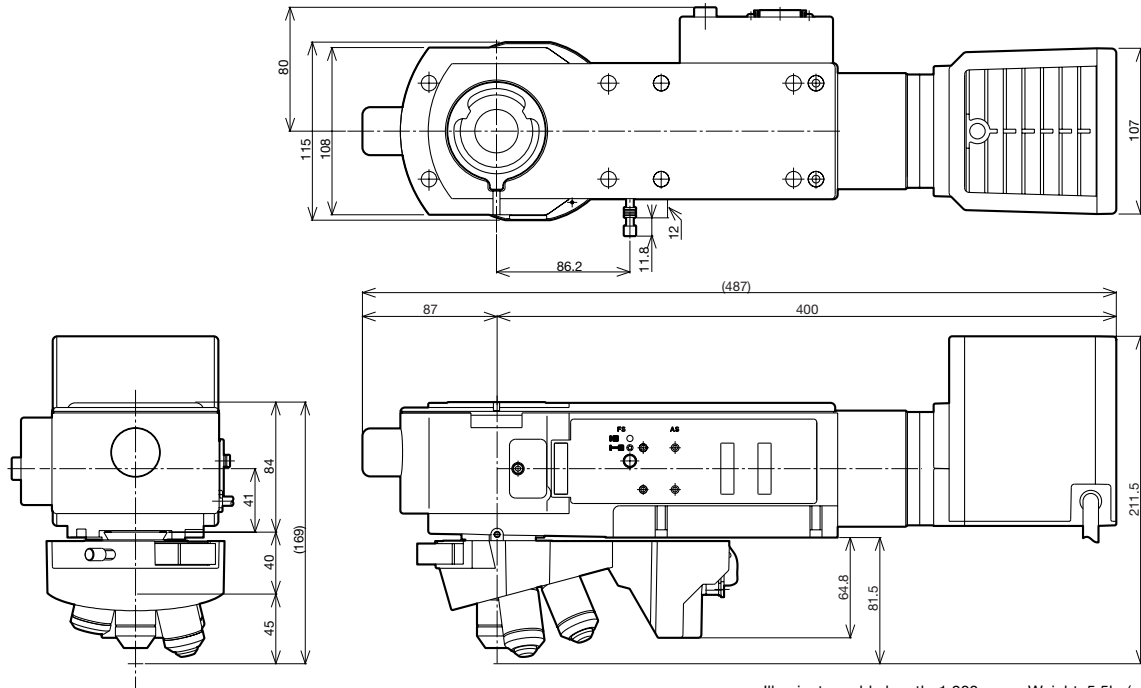
Motorized units

Various motorized units, perfect for automation of equipment, are available.

BX-RLAA+U-D6REMC+U-LH100-3

Motorized BF/DF reflected light illuminator+motorized Nomarski DIC sextuple revolving nosepiece+100W halogen lamp housing

Enables motorized exchange of objective lenses, selection between brightfield and darkfield observations as well as aperture diaphragm closing/opening. The BX-UCB control unit has an RS232C connector, allowing control via a PC. For method of attaching illuminator, refer to page 24.

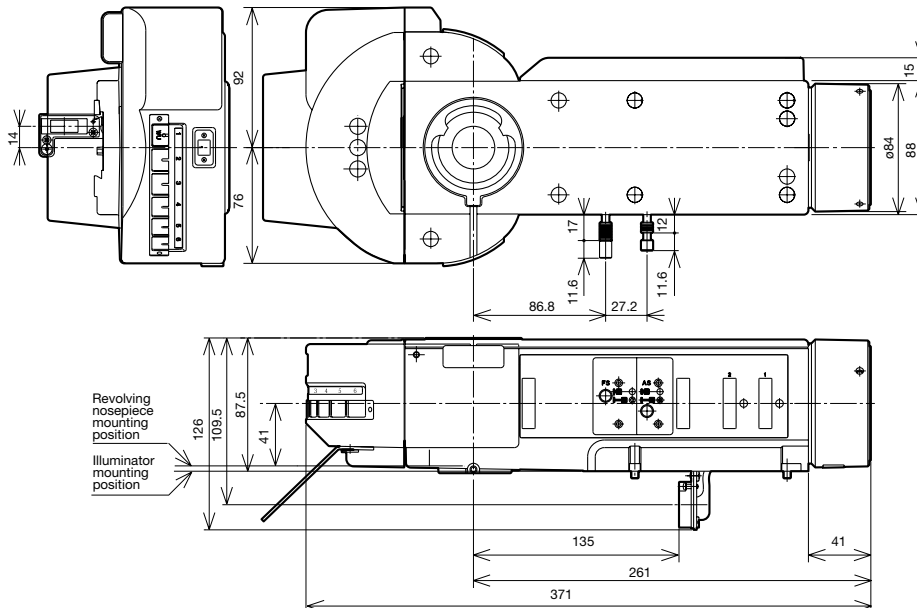


Illuminator cable length: 1.800mm Weight: 5.5kg(exclude objective lens)

BX-RFAA

Motorized universal reflected light illuminator

Reflected light fluorescence illuminator with simultaneous attachment of six mirror units. Incorporates motorized mirror unit changeover and shutter.



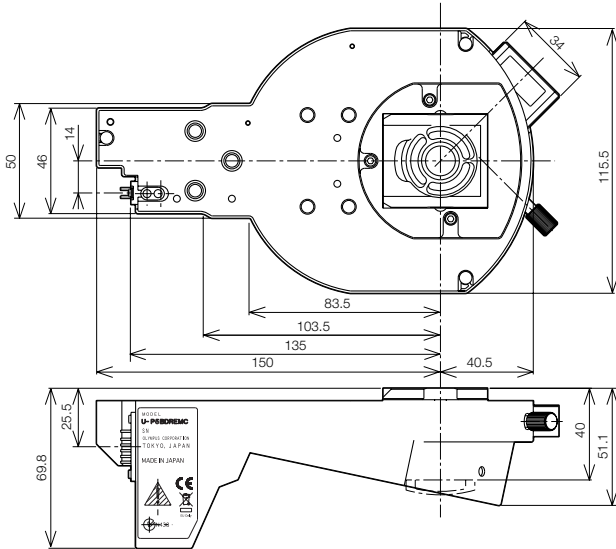
Illuminator cable length: 1.800mm Weight: 4.3kg

Unit: mm

MOTORIZED UNITS

U-D6BDREMC
Motorized sextuple BD revolving nosepiece with slider slot for DIC

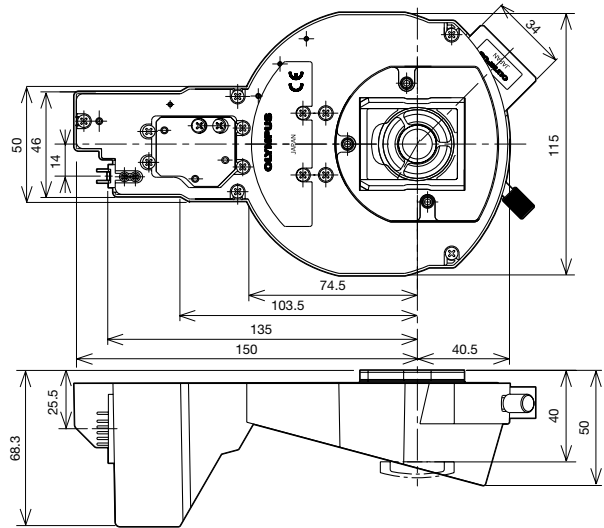
U-P5BDREMC
Motorized centerable quintuple BD revolving nosepiece with slider slot for DIC



Weight: 1.4 kg

U-D5BDREMC
Motorized quintuple BD revolving nosepiece with slider slot for DIC

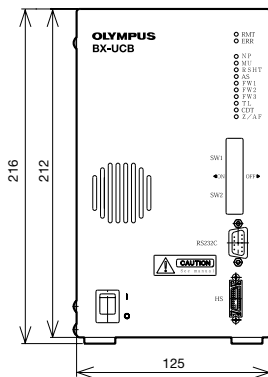
U-D6REMC
Motorized sextuple revolving nosepiece with slider slot for DIC
U-P5REMC*
Motorized centerable quintuple revolving nosepiece with slider slot for DIC



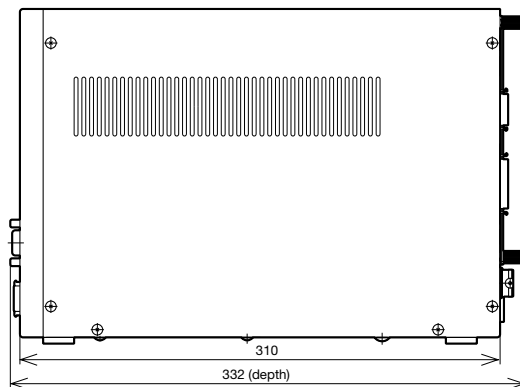
*Please contact Olympus for the availability. Weight: 1.1kg

BX-UCB Control unit

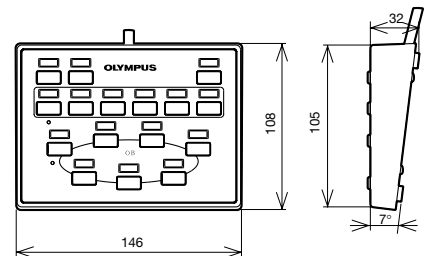
Motorized units including motorized illuminator and auto focus unit can be totally controlled from BX-UCB



Weight: 1.0kg



U-HSTR2 Hand switch



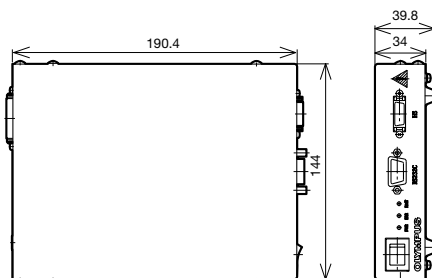
Cable length 2000mm Weight: 370g

* Extension cord U-RMT (1700mm) should be used to connect the lamp housing (U-LH100-3) to the BX-UCB.

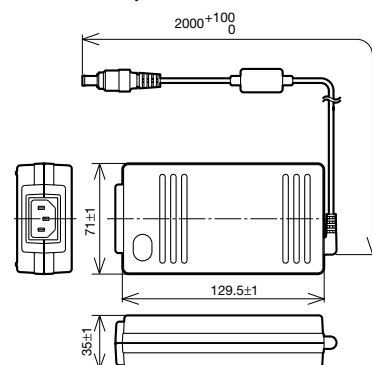
BX-REMCB Control box for motorized nosepiece and BF/DF illuminator

BX-RLAA and U-D5BDREMC/U-D6REMC/U-P5REMC can be controlled from U-HSTR2, or direct from the computer keyboard via an RS232C connector.

* BX-RFAA and U-D5BDREMC/U-D6REMC combination not applicable.



U-ACAD4515 AC adapter for BX-REMCB

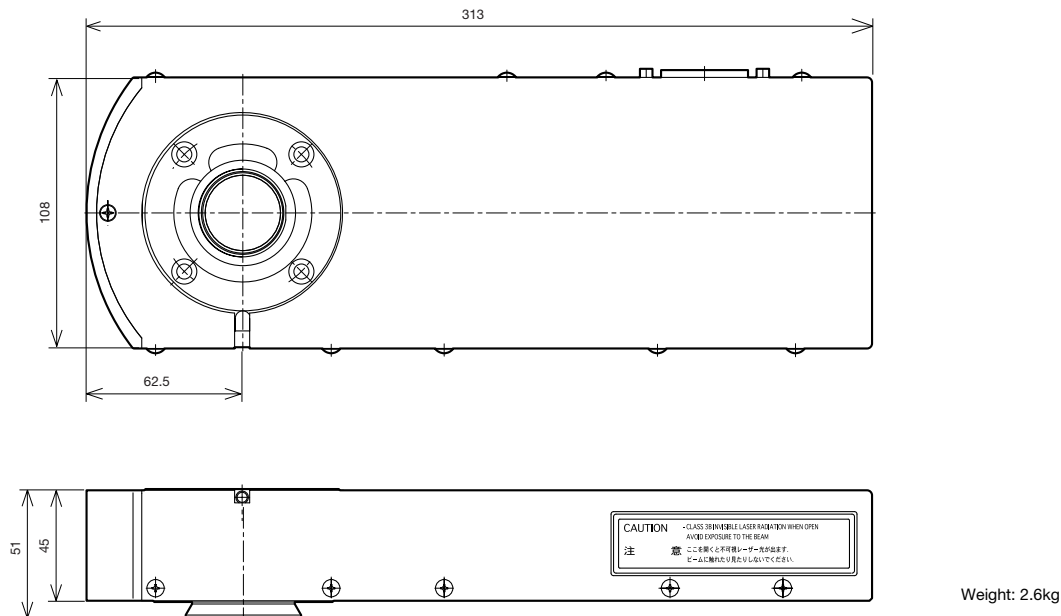


Unit: mm

MOTORIZED UNITS

U-AFA2M-VIS Active auto focus unit

Featuring an AF laser light source in wavelength 785 nm. The multiple-spots sensor enables the high-speed and stable focusing of specimens with variable height differences.

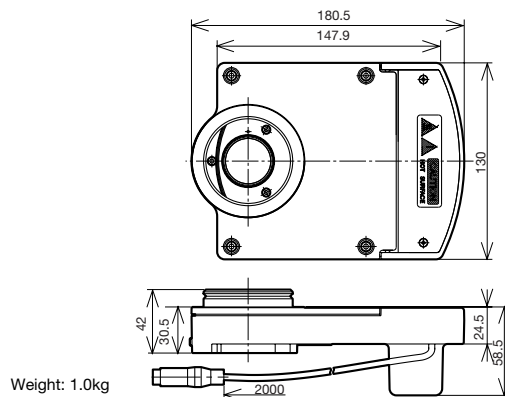


Cable
 AFA2M-CBL2M Weight: 0.23kg length: 2m
 AFA2M-CBL3M Weight: 0.36kg length: 3m

* Consult your Olympus dealer about the motorized focus.

U-FWR Motorized reflected filter wheel

Accomplish maximum 6 filter position exchange



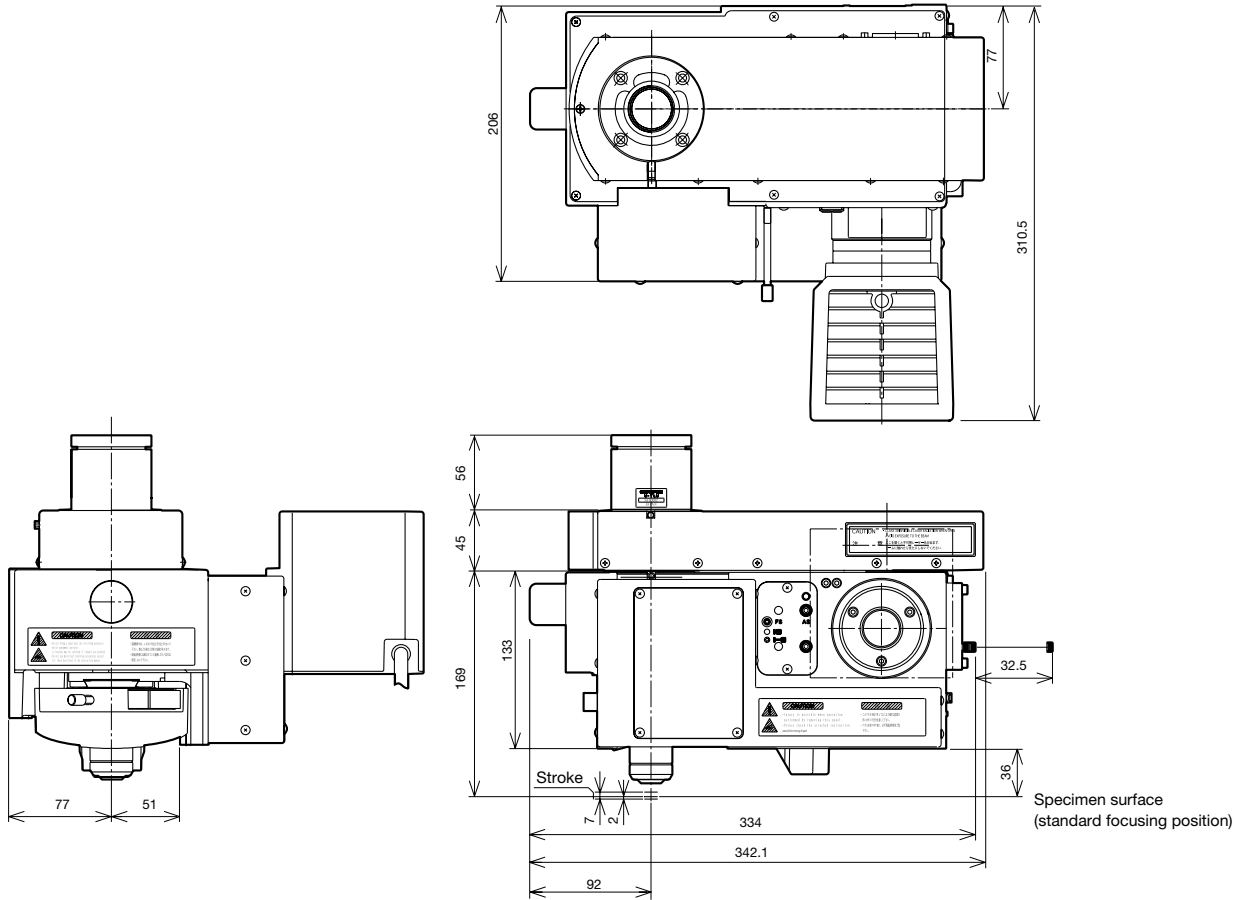
Unit: mm

MOTORIZED UNITS

BXFMA-F

Motorized illumination with power focus

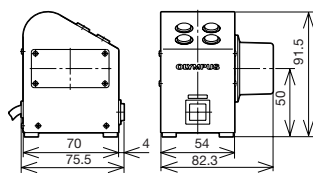
A motorized microscope unit for integration with your equipment. Motorized operations such as revolving nosepiece up/down, objective lens switching, aperture diaphragm open/close, and brightfield/darkfield switching are accomplished with this component. Several microscopic operations are totally controlled from an external unit by combining this component with an auto focus unit. This is the configuration combined with Active Auto Focus Unit U-AFA2M-VIS, Single Port Tube with Lens U-TLU, a lamphousing, a motorized nosepiece and objective lenses.



* Consult your Olympus dealer about the mounting dimensions.

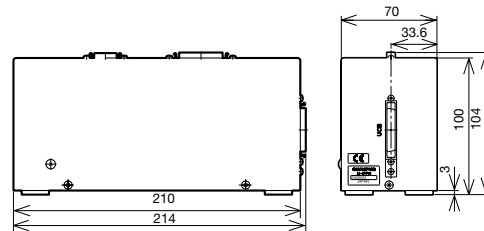
Weight: 13kg
(BXFMA-F frame 7.6kg)

U-FH
Focus adjustment knob unit



Weight: 760g

U-IFFH
Focus adjustment knob interface



Weight: 1450g

Unit: mm

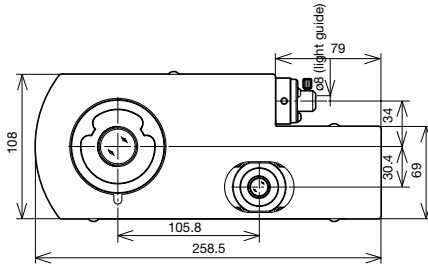
DEEP ULTRAVIOLET OBSERVATION SYSTEM

Deep ultraviolet observation system

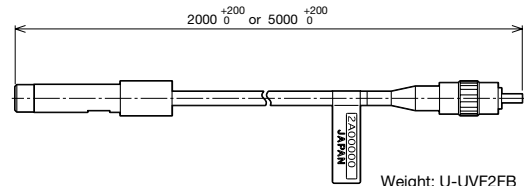
This module adds a deep ultraviolet (248nm) optical system to a general microscope.

An ultra-high resolution observation is executed by using an extremely short wavelength ray.

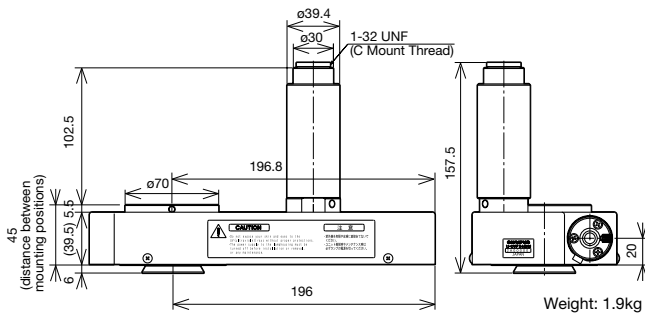
U-UVF248IM
UV248 compatible intermediate tube



U-UVF2FB/5FB
UV quartz light guide

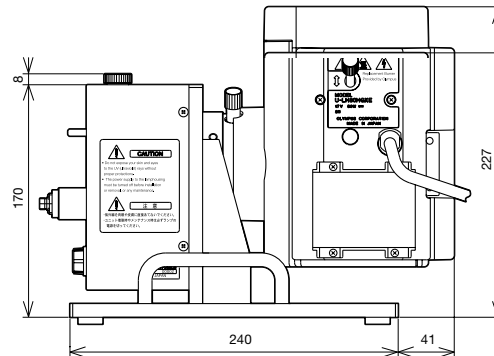
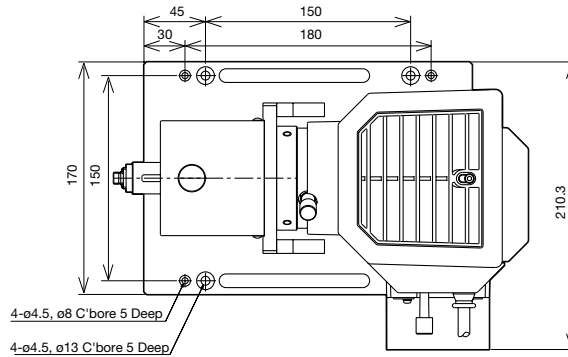


Weight: U-UVF2FB 50g
U-UVF5FB 80g



Weight: 1.9kg

U-UVF248LB+U-LH80HGXE
UV248 compatible light source box + Mercury Xenon lamp housing



Weight: 6.5kg

Unit: mm

OPTICAL TERMINOLOGY

1. Field Number (F.N.) and Practical Field of View

The field number (F.N.) is referred to as the diaphragm size of eyepiece in mm unit which defines the image area of specimen. The diaphragm diameter actually seen through eyepiece is known as the practical field of view (F.O.V.) which is determined by the formula:

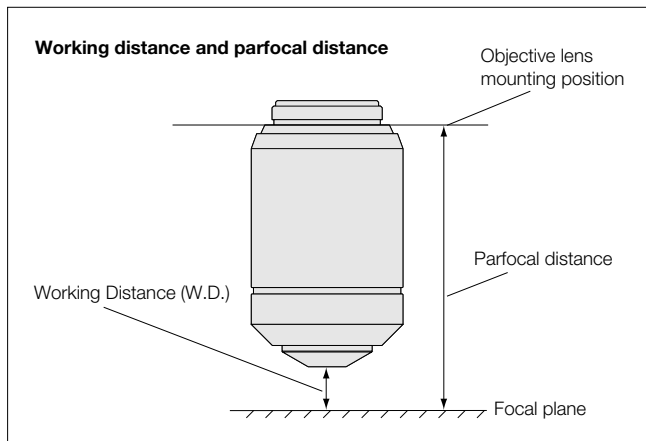
$$\text{F.O.V.} = \frac{\text{Eyepiece F.N.}}{\text{Objective lens magnification}} \text{ (mm)}$$

2. Working Distance (W.D.)

The distance between the front edge of the objective lens and the specimen surface (with the surface of the cover glass in case of the cover glass objective lens) when the specimen is focused.

3. Parfocal Distance

It is the distance between the objective lens mounting plane and the specimen. In UIS2/UIS objective lenses, the parfocal distance is designed at 45mm.



For parfocal distance of the LCPLFLN-LCD series objective lenses, refer to the appropriate objective lens page.

4. Relationship between the objective lens's focal length and magnifications

Indicated magnifications of UIS2/UIS objective lenses are the values when the focal length of the tube lens is 180 mm.

$$M_{(ob)} = \frac{\text{Focal length of tube lens}}{f}$$

$M_{(ob)}$: Objective lens magnification
 f : Objective lens's focal length

5. Total Magnification

5.1 Observation through eyepiece (binocular observation)

$$M_{(bino)} = M_{(ob)} \times M_{(oc)}$$

$M_{(bino)}$: Total magnification for binocular observation
 $M_{(ob)}$: Objective lens magnification
 $M_{(oc)}$: Eyepiece magnification

5.2 Video monitor observation

● Total magnification for video monitor

$$M_{(video\ monitor)} = M_{(ob)} \times M_{(video\ camera\ adapter)} \times \text{Monitor magnification}^*$$

$M_{(video\ monitor)}$: Total magnification on the video monitor
 $M_{(ob)}$: Objective lens magnification
 $M_{(video\ camera\ adapter)}$: Projected magnification for video camera adapter including photo eyepiece
 (refer to Figure 1)

* Refer to Figure 3 for "Monitor magnification"

● Practical field of view for video monitor observation

$$\text{Practical field of view for video monitor observation} = \frac{\text{Image device size}^*}{M_{(ob)} \times M_{(video\ camera\ adapter)}}$$

$M_{(ob)}$: Objective lens magnification
 $M_{(video\ camera\ adapter)}$: Projected magnification for video camera adapter including photo eyepiece
 (refer to Figure 1 for projected magnifications)

* Refer to Figure 2 for image device size

Figure 1 Video camera adapter and projection magnifications

Video camera adapter (Projection lens)	Projection magnifications
U-TV1x-1 + video camera mount adapters	1x
U-TV0.63xC	0.63x
U-TV0.5xC-3	0.5x
U-TV0.35xC-2	0.35x
U-TV0.25xC	0.25x

Figure 2 Imaging device size

Camera format	Diagonal	Horizontal	Vertical
1/3"	6.0mm	4.8mm	3.6mm
1/2"	8.0mm	6.4mm	4.8mm
2/3"	11.0mm	8.8mm	6.6mm

The above table is for standard image device sizes. Check your device size for precise calculation.

Figure 3 Imaging device size and monitor magnifications

Camera format	Monitor size (diagonal)				
	10"	15"	17"	19"	21"
1/3"	42.3x	63.5x	72.0x	80.4x	88.9x
1/2"	31.8x	47.6x	54.0x	60.3x	66.7x
2/3"	23.1x	34.6x	39.3x	43.9x	48.5x

Example

What is total magnifications for video monitor when objective lens is 50x, video camera adapter U-TV0.5xC, 2/3" video camera and 21" monitor are used ?

OPTICAL TERMINOLOGY

- Total magnification on the video monitor:

$M_{(ob)}=50\times$, $M_{(video\ camera\ adapter)}$ is $0.5\times$ from Figure 1 and monitor magnification is $48.5\times$ from Figure 3.

$M_{(monitor\ observation)}=M_{(ob)}\times M_{(video\ camera\ adapter)}\times$ monitor magnification
 $=50\times 0.5\times 48.5=1213\times$

- Practical field of view for video observation (horizontal side):

$M_{(ob)}=50\times$, $M_{(video\ camera\ adapter)}$ is $0.5\times$ from Figure 1 and horizontal side of $2/3"$ imaging device is 8.8mm from Figure 2

$$\begin{aligned} \text{Practical field of view} &= \frac{\text{Image device size}}{M_{(ob)} \times M_{(video\ camera\ adapter)}} \\ \text{for video observation} &= \frac{8.8\text{ (mm)}}{50 \times 0.5} = 352\mu\text{m} \end{aligned}$$

6. Numerical Aperture (N.A.)

The numerical aperture is a key factor to the performance of objective lens (resolving power, focal depth and brightness).

The N.A. is determined by the following formula:

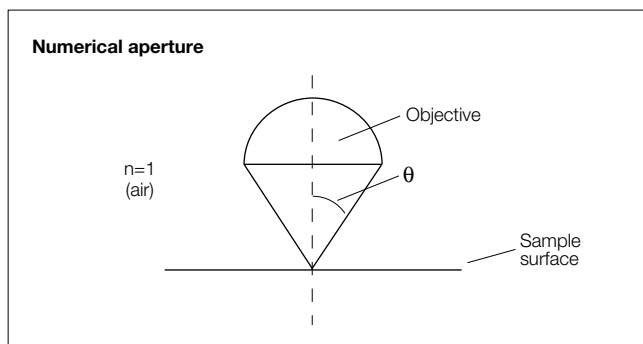
$$N.A. = n \times \sin\theta$$

n = Refraction rate of the medium between specimen and objective lenses. (Air: $n=1$, oil: $n=1.515$)

θ : Angle which is made by the optical axis and refraction of the light farthest from the center of the lens.

The visual field brightness (B) of the microscope is determined by the following formula in relation to the objective lens magnification (M). The larger the N.A. and the lower the objective magnification, brightness will increase in the factor of the second power.

$$B \propto \frac{N.A.^2}{M^2}$$



7. Resolving Power

The resolving power of an objective lens is measured by its ability to differentiate two lines or points in an object. The greater the resolving power, the smaller the minimum distance between two lines or points that can still be distinguished. The larger the N.A., the higher the resolving power.

- Resolving power formula

The following formula is generally used for determining resolution.

$$\epsilon = 0.61 \times \frac{\lambda}{N.A.} \text{ (Reyleigh formula)}$$

λ : Wavelength or radiation in use

($\lambda=0.55\mu\text{m}$ is used for visible light)

N.A.: Objective lens N.A.

Example

MPLFLN100x(N.A.=0.90), $\lambda=0.55\mu\text{m}$

$$\epsilon = 0.61 \times \frac{\lambda}{N.A.} = \frac{0.3355}{N.A.} = \frac{0.3355}{0.90} = 0.37\mu\text{m}$$

8. Focal depth of Microscope

The focal depth refers to the depth of the specimen layer which is in sharp focus at the same time, even if the distance between the objective lens and the specimen plane is changed when observing and shooting the specimen plane by microscope. As human eyes are individually different in the ability of their focus adjustment, each person's perception of the focal depth varies. At present, the Berek formula is generally used, because it gives a focal depth value that often coincides with that obtained through experiments.

Focal depth formula

- Visual observation (Berek formula)

$$\pm D.O.F. = \frac{\omega \times 250,000}{N.A. \times M} + \frac{\lambda}{2(N.A.)^2} (\mu\text{m})$$

D.O.F.: Depth Of Focus

ω : Resolving power of eyes 0.0014
 (when optical angle is 0.5 degrees)

M : Total magnification
 (objective lens magnification \times eyepiece magnification)

$$\rightarrow \pm D.O.F. = \frac{350}{N.A. \times M} + \frac{0.275}{N.A.^2} (\lambda=0.55\mu\text{m})$$

This indicates that the focal depth becomes smaller as the numerical aperture becomes larger.

Example

With MPLFLN100x(N.A.=0.90), WHN10x:

$$\pm D.O.F. = \frac{350}{0.90 \times 1,000} + \frac{0.275}{0.81} = 0.39 + 0.34 = 0.73\mu\text{m}$$

- Video camera

In the case of a video camera, the focal depth will vary according to number of pixels of CCD, optical magnification, and numerical aperture. The above-mentioned formula is used as a rough guide only.

OPTICAL TERMINOLOGY

9. Aberrations

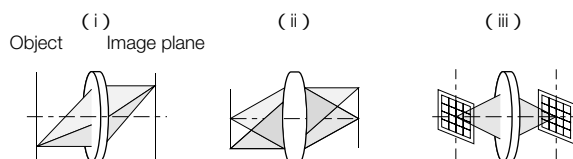
A difference between an ideal image and an actual image that passes through an optical system is called an “aberration.”

9.1 Requirements for Ideal Image Formation

The following three requirements must be satisfied to form an image with no aberration, or an ideal image.

- (i) All the light rays coming from a single point and passing through an image formation optical system converge on a single point.
- (ii) Image points, which correspond to object points on the same plane perpendicular to the optical axis, are present on the same plane.
- (iii) The planar shape of an object and the planar shape of an image that are on the same plane perpendicular to the optical axis have a similarity relation.

Figure 9-1 Requirements for Ideal Image Formation



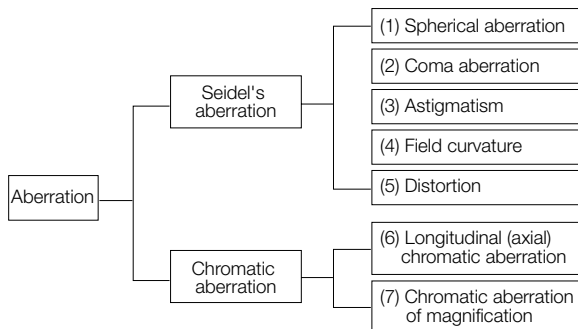
In an actual optical system, however, it is very difficult to strictly meet the requirements for ideal image formation and this causes “aberrations” that interfere with image forming performance.

9.2 Classification of Aberrations

Aberrations that interfere with image forming performance are classified as shown below in Figure 9-2.

Seidel’s aberration = “Expansion of a point image” + “Curvature of image plane” + “Deformation”

Figure 9-2 Classification of Aberrations



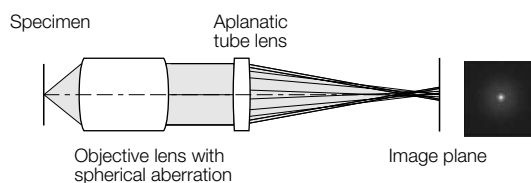
Types (1) to (3) correspond to “expansion of a point image” that goes against requirement (i) for ideal image formation in Figure 9-1. Type (4) corresponds to “curvature of image plane” that goes against requirement (ii) in Figure 9-1. Type (5) corresponds to “deformation” that goes against requirement (iii) in Figure 9-1. Types (6) and (7) correspond to “color blur” of images caused by

characteristics of glass materials used for the optical system. “Expansion of a point image” can also be expressed by “wavefront aberration” that regards the light as “waves” and takes account of the phase to include the influence of diffraction.

(1) Spherical aberration

When light rays coming out of an axial object point enter a lens, the light rays with a larger numerical aperture (N.A.) are subjected to stronger refraction power and cross the optical axis in positions with larger differences from the ideal image formation position. The aberration caused this way by different image forming positions due to differences in N.A. of axial light rays is called “spherical aberration.” (“Spherical aberration” is proportional to the cube of N.A.)

Figure 9-3 Spherical Aberration

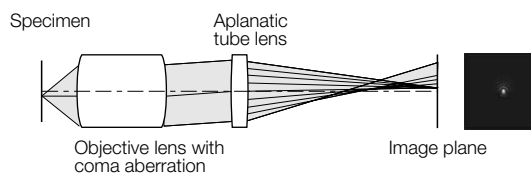


It is said that objective lenses with larger N.A. have better resolution but worsen spherical aberration. Our advanced design and manufacturing techniques have realized good optical performance even with large numerical aperture.

(2) Coma aberration

Even though spherical aberration is compensated to be very small, there are cases where light rays coming out of an off-axis object point are not condensed to a single point on the image plane but generate asymmetric blur just like a comet leaving traces. This is called coma aberration.

Figure 9-4 Coma Aberration and Spot Shape on the Image Plane

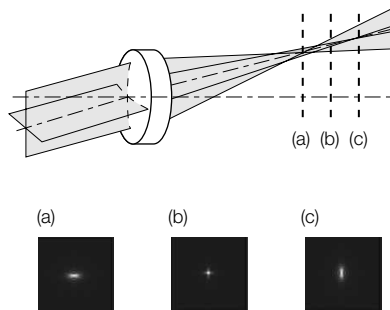


(3) Astigmatism

Even though a lens is compensated for spherical aberration and coma aberration, there are cases where an image of an off-axis object point is not focused to a single point but separated to a concentric line image and a radial line image. This is called “astigmatism.” When astigmatism is present, a point image blurs vertically and horizontally, before and after the focus position.

OPTICAL TERMINOLOGY

Figure 9-5 Astigmatism and Change in Spot Shape in Different Focus Positions



(4) Field curvature

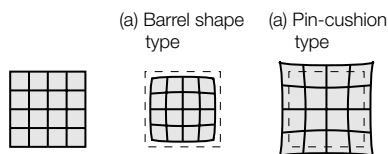
An image plane of an object on a plane perpendicular to an optical axis does not always become a plane perpendicular to the optical axis, but it generally becomes a curved plane. This symptom is called "field curvature."

When field curvature is present, the image is more displaced as it becomes closer to the periphery of the visual field. Therefore, when the center of an image is brought into focus, blur occurs in the peripheral areas of the image. To bring the entire image, including the periphery, into clear focus, it is necessary to adequately compensate for this type of aberration.

(5) Distortion

When there is no similar relation between a planar shape on an object and a shape on the image plane, this is called "distortion." When distortion is present, a square image appears in a shape of a barrel or pin-cushion as shown in Figure 9-6.

Figure 9-6 Distortion



The microscope optical system contains some distortion. When distortion is present, it can bring erroneous results of shape measurements. When a microscope is used for precision measurements, pay close attention to this aberration, for example, by providing it with an aberration compensation function.

(6) Chromatic aberration

Glasses used for optical systems have different refractive indexes depending on the wavelength. This causes differences in focal length between wavelengths and generates displacement of image forming position. This phenomenon is called "chromatic aberration," which is sometimes subdivided into axial displacement on the optical axis, called "axial chromatic aberration" (or lateral chromatic aberration) and displacement on the image plane, called "chromatic

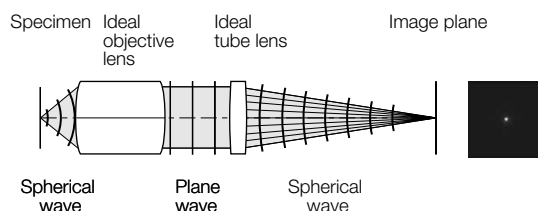
aberration of magnitude."

Many special glass materials are used, e.g., for apochromats (MPlanApo in Olympus), to eliminate chromatic aberration in a wide range from violet light (g-rays with wavelength of 435 nm) to red light (c-rays with wavelength of 656 nm).

9.3 Wavefront Aberration

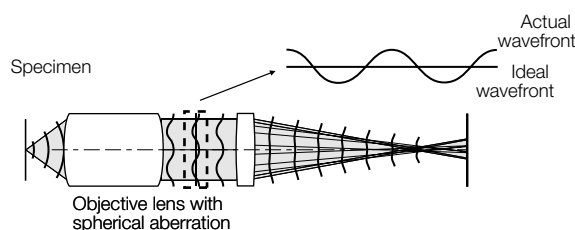
Since a long time ago, aberrations have been used in "geometric optics," which considers light as "light rays." Microscope optical systems are often used for observation of very small specimens at a wavelength level, and sometimes adopt "wave optics," which regards light as "waves" and handles the phase information, taking account of the influence of diffraction. In such a case, "wavefront aberration" is used for evaluation. As shown below, when requirements for ideal imaging are satisfied in a microscope optical system, the spherical wavefront (spherical waves) coming from a single point on an object (specimen) is converted to plane waves through an ideal objective lens. The plane waves are converted to spherical waves through an ideal tube lens, and condensed to a single point. The wavefront of these waves is called the "ideal wavefront."

Figure 9-7 Ideal Microscope Optical System



Based on the figure indicated for (1) spherical aberration, the behavior of the wavefront in an optical system that has an aberration is described below.

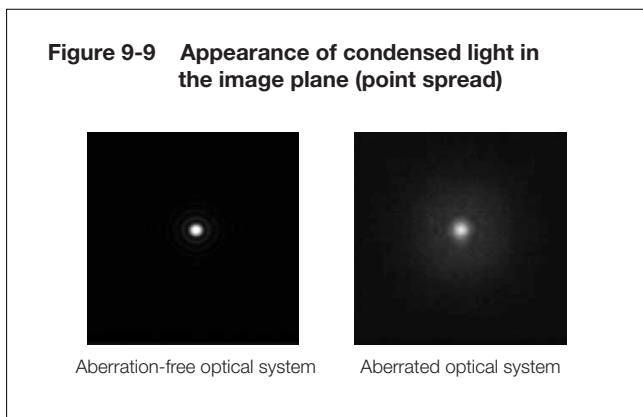
Figure 9-8 Illustration of Wavefront Aberration



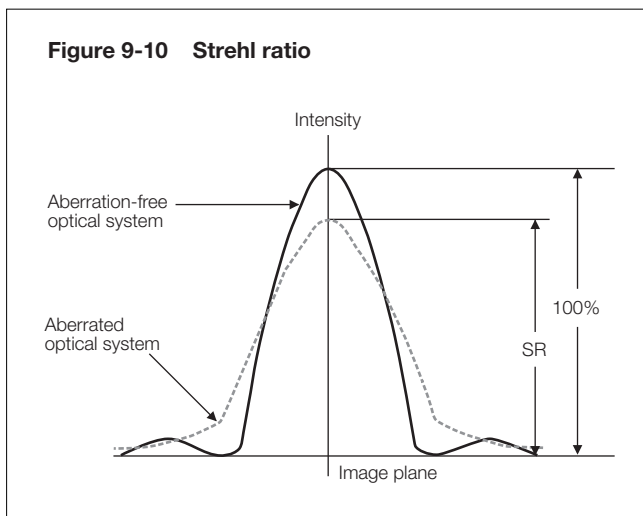
A difference (a degree of disagreement) between the ideal wavefront and the actual wavefront shown above is called "wavefront aberration."

9.4 Strehl ratio

When a point light source is observed with an aberration-free optical system and an aberrated optical system, the former concentrates the focal point to a point at the image formation position. In contrast, the latter fails to produce a focal point, instead causing a spread in the intensity distribution of the point image (this is known as "point spread"). The specific appearance of such a point image (i.e. point spread) is shown in Fig. 9-9.



With the proportion of light concentrated in the image plane (intensity of light concentrated in the Airy disk) by an aberration-free optical system serving as 100%, the proportion of light concentrated by an aberrated optical system is known as the Strehl ratio. When graphed, the Strehl ratio reveals peaks in intensity as shown in Fig. 9-10. The higher the SR, the closer an optical system is to being aberration-free.



A Strehl ratio of 80% is typically called the diffraction limit, and lenses with a lower ratio lack the performance required to serve as an objective lens. A ratio of over 95% means that the lens' performance in general observations is comparable to that of an aplanatic lens (which is corrected for spherical aberrations and coma).

Note) A laser interferometer is used for actual assessment of optical performance, so assessment is done at a single wavelength. Unless otherwise noted, Strehl ratio measurements are at the e-line (544nm).

OLYMPUS CORPORATION has obtained ISO9001/ISO14001

*Illumination devices for microscope have suggested lifetimes. Periodic inspections are required.
Visit our Website for details.*

Specifications are subject to change without any obligation on the part of the manufacturer.

OLYMPUS®

www.olympus.com

OLYMPUS CORPORATION
Shinjuku Monolith, 3-1, Nishi Shinjuku 2-chome, Shinjuku-ku, Tokyo, Japan

OLYMPUS LIFE SCIENCE EUROPA GMBH
Postfach 10 49 08, 20034, Hamburg, Germany

OLYMPUS SURGICAL & INDUSTRIAL AMERICA INC.
One Corporate Drive, Orangeburg, NY 10962, U.S.A.

OLYMPUS AUSTRALIA PTY. LTD.
31 Gilby Road, Mt. Waverley, VIC 3149, Melbourne, Australia.

OLYMPUS LATIN AMERICA, INC.
5301 Blue Lagoon Drive, Suite 290 Miami, FL 33126, U.S.A.

Free Manuals Download Website

<http://myh66.com>

<http://usermanuals.us>

<http://www.somanuals.com>

<http://www.4manuals.cc>

<http://www.manual-lib.com>

<http://www.404manual.com>

<http://www.luxmanual.com>

<http://aubethermostatmanual.com>

Golf course search by state

<http://golfingnear.com>

Email search by domain

<http://emailbydomain.com>

Auto manuals search

<http://auto.somanuals.com>

TV manuals search

<http://tv.somanuals.com>