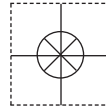


1 YEAR
WARRANTY

OMEGA CARE™
Extended Warranty
Program



User's Guide



Shop online at

omega.com®

Ω OMEGA®

omega.com

e-mail: info@omega.com

*For latest product manuals:
omegamanual.info*

ISO 9001
CERTIFIED
CORPORATE QUALITY

STAMFORD, CT

ISO 9002
CERTIFIED
CORPORATE QUALITY

MANCHESTER, UK

OMB-DAQBOARD-500 Series **16-Bit, 200-KHz PCI Data Acquisition Boards**



OMEGAnet® Online Service
omega.com

Internet e-mail
info@omega.com

Servicing North America:

U.S.A.:
ISO 9001 Certified

One Omega Drive, P.O. Box 4047
Stamford, CT 06907-0047
TEL: (203) 359-1660 FAX: (203) 359-7700
e-mail: info@omega.com

Canada:

976 Bergar
Laval (Quebec) H7L 5A1, Canada
TEL: (514) 856-6928 FAX: (514) 856-6886
e-mail: info@omega.ca

For immediate technical or application assistance:

U.S.A. and Canada: Sales Service: 1-800-826-6342 / 1-800-TC-OMEGA®
Customer Service: 1-800-622-2378 / 1-800-622-BEST®
Engineering Service: 1-800-872-9436 / 1-800-USA-WHEN®

Mexico:

En Español: (001) 203-359-7803 e-mail: espanol@omega.com
FAX: (001) 203-359-7807 info@omega.com.mx

Servicing Europe:

Benelux:

Postbus 8034, 1180 LA Amstelveen, The Netherlands
TEL: +31 (0)20 3472121 FAX: +31 (0)20 6434643
Toll Free in Benelux: 0800 0993344
e-mail: sales@omegaeng.nl

Czech Republic:

Frystatska 184, 733 01 Karviná, Czech Republic
TEL: +420 (0)59 6311899 FAX: +420 (0)59 6311114
Toll Free: 0800-1-66342 e-mail: info@omegashop.cz

France:

11, rue Jacques Cartier, 78280 Guyancourt, France
TEL: +33 (0)1 61 37 2900 FAX: +33 (0)1 30 57 5427
Toll Free in France: 0800 466 342
e-mail: sales@omega.fr

Germany/Austria:

Daimlerstrasse 26, D-75392 Deckenpfronn, Germany
TEL: +49 (0)7056 9398-0 FAX: +49 (0)7056 9398-29
Toll Free in Germany: 0800 639 7678
e-mail: info@omega.de

United Kingdom:

ISO 9002 Certified

One Omega Drive, River Bend Technology Centre
Northbank, Irlam, Manchester
M44 5BD United Kingdom
TEL: +44 (0)161 777 6611 FAX: +44 (0)161 777 6622
Toll Free in United Kingdom: 0800-488-488
e-mail: sales@omega.co.uk

It is the policy of OMEGA Engineering, Inc. to comply with all worldwide safety and EMC/EMI regulations that apply. OMEGA is constantly pursuing certification of its products to the European New Approach Directives. OMEGA will add the CE mark to every appropriate device upon certification.

The information contained in this document is believed to be correct, but OMEGA accepts no liability for any errors it contains, and reserves the right to alter specifications without notice.

WARNING: These products are not designed for use in, and should not be used for, human applications.

Warnings, Cautions, Notes, and Tips



Refer all service to qualified personnel. This symbol warns of possible personal injury or equipment damage under noted conditions. Follow all safety standards of professional practice and the recommendations in this manual. Using this equipment in ways other than described in this manual can present serious safety hazards or cause equipment damage.



This warning symbol is used in this manual or on the equipment to warn of possible injury or death from electrical shock under noted conditions.



This ESD caution symbol urges proper handling of equipment or components sensitive to damage from electrostatic discharge. Proper handling guidelines include the use of grounded anti-static mats and wrist straps, ESD-protective bags and cartons, and related procedures.



This symbol indicates the message is important, but is not of a Warning or Caution category. These notes can be of great benefit to the user, and should be read.



In this manual, the book symbol always precedes the words “Reference Note.” This type of note identifies the location of additional information that may prove helpful. References may be made to other chapters or other documentation.



Tips provide advice that may save time during a procedure, or help to clarify an issue. Tips may include additional reference.

Specifications and Calibration

Specifications are subject to change without notice. Significant changes will be addressed in an addendum or revision to the manual. As applicable, we calibrate our hardware to published specifications. Periodic hardware calibration is not covered under the warranty and must be performed by qualified personnel as specified in this manual. Improper calibration procedures may void the warranty.

Your order was carefully inspected prior to shipment. When you receive your order, carefully unpack all items from the shipping carton and check for physical signs of damage that may have occurred during shipment. Promptly report any damage to the shipping agent and your sales representative. Retain all shipping materials in case the unit needs returned to the factory.

CAUTION



Using this equipment in ways other than described in this manual can cause personal injury or equipment damage. Before setting up and using your equipment, you should read *all* documentation that covers your system. Pay special attention to Warnings and Cautions.

Note: During software installation, Adobe® PDF versions of user manuals will automatically install onto your hard drive as a part of product support. The default location is in the **Programs** group, which can be accessed from the *Windows Desktop*. Initial navigation is as follows:

Start [Desktop “Start” pull-down menu]
⇒ **Programs**
⇒ **Omega DaqX Software**

You can also access the PDF documents directly from the data acquisition CD by using the <**View PDFs**> button located on the opening screen.

Refer to the PDF documentation for details regarding both hardware and software.

A copy of the Adobe Acrobat Reader® is included on your CD. The Reader provides a means of reading and printing the PDF documents. Note that hardcopy versions of the manuals can be ordered from the factory.

Table of Contents

OMB-DAQBOARD-500 Series, Installation Guide

1 – Introduction

- Basic Information 1-1*
- Block Diagram 1-2*
- Board Features 1-3*

2 – Connections and Pinouts

- Overview 2-1*
- 68-Pin SCSI Type III Connector 2-2*
- Signal Definitions 2-3*
- TB-100 Terminal Connector Option 2-6*
- External Connections 2-7*

3 – Configuration

- Configuration through Software 3-1*
- Analog Input Configuration 3-1*
- ADC Ranges 3-1*
- DAC Ranges 3-2*

4 – Software and Board Operation

- Overview 4-1*
- Out-of-the-Box Software4-1*
- Drivers for Third-Party, Icon Driven Software 4-2*
- DaqCOM Driver 4-2*
- Theory of Operation 4-3*

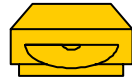
5 – CE-Compliance

- Overview 5-1*
- CE Standards and Directives 5-1*
- Safety Conditions 5-2*
- Emissions/Immunity Conditions 5-2*

6 – Specifications

Glossary

This product requires one of the following Operating Systems:



Windows 2000
Windows XP

This guide tells how to complete the following steps for a successful installation.

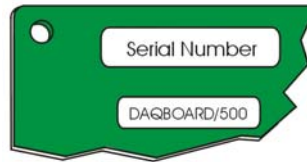
- Step 1 – Install Software** page 2
- Step 2 – Install Boards in Available PCI Bus-Slots** page 3
- Step 3 – Configure Boards** page 5
- Step 4 – Test Hardware** page 6



Reference Note:

After you have completed the installation you should refer to the electronic documents that were automatically installed onto your hard drive as a part of product support. The default location is in the **Programs** group, which can be accessed from the Windows Desktop.

You should keep your DaqBoard’s serial number and your DaqView/500 authorization code (if applicable) with this document. Space is provided below for recording up to 4 board numbers and their PCI bus-slot locations. The board serial number and board type (500 or 505) is located on the solder-side of the board.



Board Identity on “Solder-Side” of the Board

	Board Type (e.g. /500, /505)	Serial Number	PCI Bus-Slot Location
Board 1			
Board 2			
Board 3			
Board 4			

The host PC can support up to four Boards.

DaqView/500 Authorization Code _____

Customers who ordered DaqView/500 can find their authorization code on the *authorization code sheet* located inside the sleeve of the install CD.

Customers who did not order DaqView/500 can run a *30-day free trial version*, as discussed elsewhere in the User’s Manual.

CAUTION	
<p>ATTENTION ESD PRECAUTIONS FOR HANDLING ELECTRONIC DEVICES</p>	<p>Take ESD precautions (packaging, proper handling, grounded wrist strap, etc.)</p> <p>Use care to avoid touching board surfaces and onboard components. Only handle boards by their edges (or ORBs, if applicable). Ensure boards do not come into contact with foreign elements such as oils, water, and industrial particulate.</p>



Reference Notes:

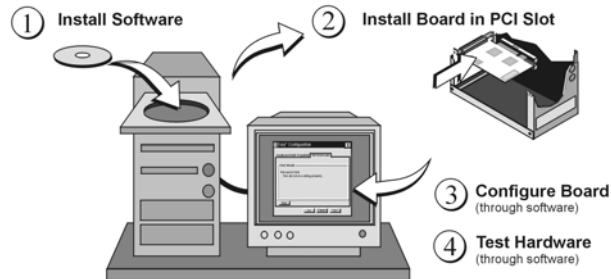
Each DaqBoard/500 Series plugs into a PCI bus-slot. Consult your PC owner's manual as needed.



Reference Note: Adobe PDF versions of user manuals will automatically install onto your hard drive as a part of product support. The default location is in the **Programs** group, which can be accessed from the *Windows Desktop*. Refer to the PDF documentation for details regarding both hardware and software. Note that hardcopy versions of the manuals can be ordered from the factory.

Minimum System Requirements

- PC system with Pentium® 3 Processor
- 500 MHz
- 128 M-byte RAM
- Windows 2000 or XP Operating System



Installation, A Pictorial Overview

Step 1 – *Install Software*



IMPORTANT: Software must be installed before installing hardware.

1. Remove previous version Daq drivers, if present. You can do this through Microsoft's **Add/Remove Programs** feature.
2. Place the Data Acquisition CD into the CD-ROM drive. *Wait for PC to auto-run the CD. This may take a few moments, depending on your PC.* If the CD does not auto-run, use the Desktop's Start/Run/Browse feature and run the **Setup.exe** file.
3. After the intro-screen appears, follow the screen prompts.

Upon completing the software installation, continue with step 2, *Install Boards in available PCI Bus-slots.*

Step 2 – Install Boards in available PCI Bus-slots



IMPORTANT: Software must be installed before installing hardware.

CAUTION



Turn off power to, and **UNPLUG** the host PC and externally connected equipment prior to removing the PC's cover and installing the DaqBoard. Electric shock or damage to equipment can result even under low-voltage conditions.



Take ESD precautions (packaging, proper handling, grounded wrist strap, etc.)

Use care to avoid touching board surfaces and onboard components. Only handle boards by their edges (or ORBs, if applicable). Ensure boards do not come into contact with foreign elements such as oils, water, and industrial particulate.

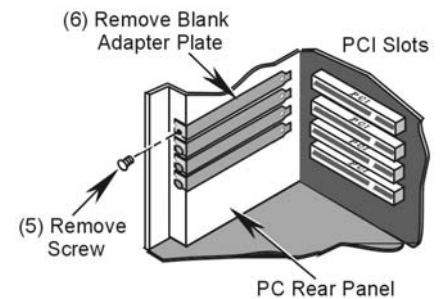


IMPORTANT: Bus Mastering DMA *must be Enabled*.

For a DaqBoard/500 Series board to operate properly, Bus Mastering DMA *must be Enabled* on the PCI slot [for which the board is to be installed]. Prior to installation, verify that your computer is capable of performing Bus Mastering DMA for the applicable PCI slot. Note that some computers have BIOS settings that enable [or disable] Bus Mastering DMA. If your computer has this BIOS option, ensure that Bus Mastering DMA is *Enabled* on the appropriate PCI slot.

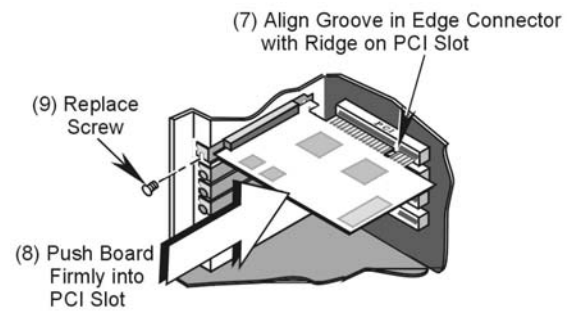
Refer to your PC Owner's Manual for additional information regarding your PC and enabling Bus Mastering DMA for PCI slots.

1. Turn **off** power to, and **UNPLUG** the host PC and externally connected equipment.
2. Remove the PC's cover. *Refer to your PC Owner's Manual as needed.*
3. Choose an available PCI bus-slot.
4. Carefully remove the DaqBoard from its anti-static protective bag. If you have not already done so, write down the serial number of your board at this time.
5. Refer to the figure at the right. Remove the screw that secures the blank adapter plate, which is associated with the PCI slot you will be using. *Refer to your PC Owner's Manual if needed.*
6. Remove the blank adapter plate.



Removing a Blank Adapter Plate

7. Refer to the figure at the right. Align the groove in the DaqBoard's PCI edge-connector with the ridge of the desired PCI slot, and with the PC's corresponding rear-panel slot.
8. Push the board firmly into the PCI slot. The board will snap into position.
9. Secure the board by inserting the rear-panel adapter-plate screw.
10. Using the previous steps, install additional boards into available PCI bus-slots, if applicable to your application.
11. Replace the computer's cover.
12. Plug in all cords and cables that were removed in step 1.
13. Apply power to, and start up the PC.

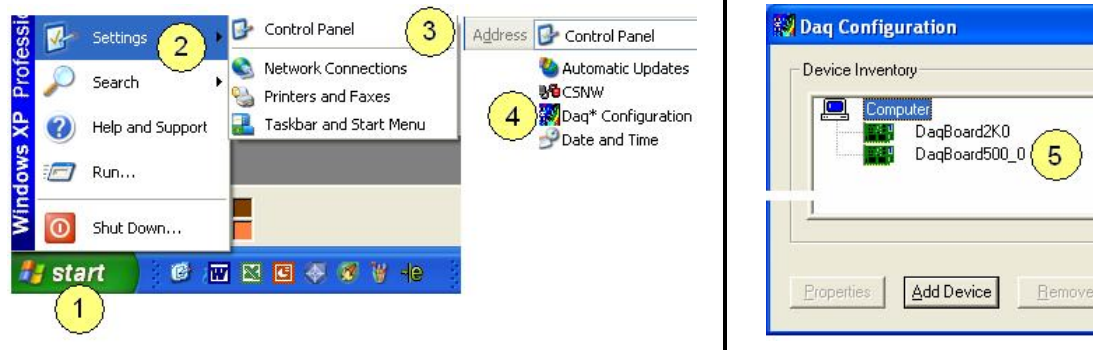


Installing a DaqBoard/500 Series Board

Note: At this point some PCs may prompt you to insert an installation disk. While this is rare, if you do receive such a prompt simply place the install CD-ROM into the disk drive and follow additional screen prompts.

Step 3 – Configure Boards

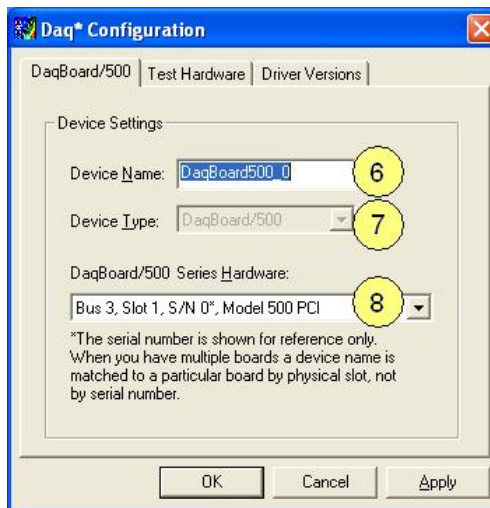
DaqBoard/500 Series Boards have no jumpers or switches to set. Configuration is performed entirely through software. Refer to the following figure and steps to complete the configuration. The numbers in the figure correspond to the numbered steps.



1. Open the “Start” menu from the Windows desktop.
2. Select “Settings.”
3. Select “Control Panel.”
4. Double-click “Daq Configuration.” This opens the Daq Configuration window.
5. Double-click on the Device Inventory’s DaqBoard/500 Series icon. In the figure above the DaqBoard/500 appears as “DaqBoard500_0.”

The DaqBoard’s Properties tab will appear (following figure).

Note: If the DaqBoard icon is not present, skip to the upcoming section, *Using ‘Add Device.’*



Accessing the DaqBoard/500 Properties Tab

6. Enter a “**Device Name**” in the text box, or use the default, e.g., DaqBoard500_0. The Name is for identifying the specific DaqBoard, but actually refers to the PCI slot.
7. Verify that the “Device Type” shows the correct board, i.e., “DaqBoard/500 or DaqBoard/505.” Other devices, if available can be viewed via the pull-down list.
8. Confirm that the DaqBoard’s text box shows a **Bus #, Slot #, and Serial Number**.

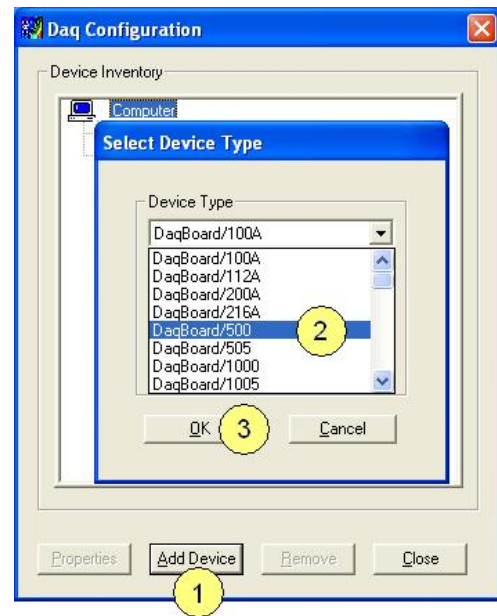
If this text box is empty, use its pull-down list and select the serial number that matches the one for your board.

Using “Add Device”

This method is for users who have accessed the **Daq Configuration** control panel applet, but have no DaqBoard/500 Series device icon.

1. After accessing the Daq Configuration control panel applet, click on the **<Add Device>** button (see figure, right). The *Select Device Type* window will appear.
2. Using the *Device Type*'s pull-down list, select the applicable board. In the example at the right **DaqBoard/500** is selected.
3. Click the **<OK>** button. The board's Properties tab will appear. The tab applies to all boards in the series.

At this point, complete steps 6 through 8 on page IG-5.



Using “Add Device”

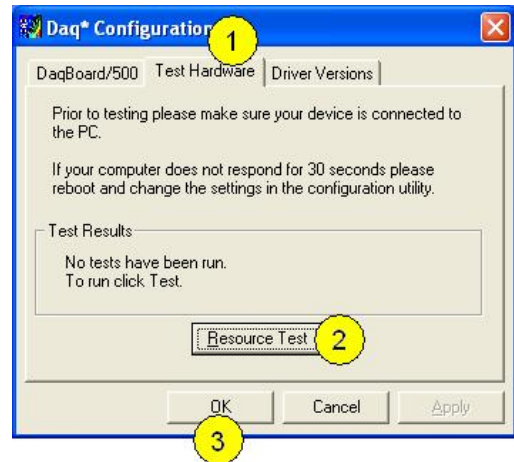
Step 4 – Test Hardware

Use the following steps to test the DaqBoard. Note that these steps are continued from those listed under the previous section, “Configure Board.”

1. Select the “**Test Hardware**” tab.
2. Click the **<Resource Test>** button.
3. After the test is complete, click **<OK>**.”

System capability is now tested for the DaqBoard and a list of test results will appear.

Note: If you experience difficulties, please consult your user documentation (included on your CD) before calling for technical support.



Test Hardware Tab
(Condensed Screen Image)

At this point we are ready to connect signals. For DaqBoard/500 Series boards, connection is typically made via a terminal board, such as the optional TB-100.



Reference Notes:

During software installation, Adobe® PDF versions of user manuals are automatically installed onto your hard drive as a part of product support. The default location is in the **Programs** group, which can be accessed from the Windows Desktop. A copy of the Adobe Acrobat Reader® is included on your CD. The Reader provides a means of reading and printing the PDF documents. Note that hardcopy versions of manuals can be ordered from the factory.

The **DaqBoard/500** and **DaqBoard/505** have 16 single-ended or 8 differential analog inputs multiplexed to a 16-bit A/D converter with maximum throughput of 200 kHz, programmable gains of 1, 2, 4 or 8, one counter input channel, two timer output channels, and 24 lines of digital I/O. In addition, **DaqBoard/500** includes two clocked DACs.

The boards feature a DMA engine for optimum performance in supported Windows environments. Board connections are terminated in a 68-pin “high density” SCSI III connector at the rear of the PC.



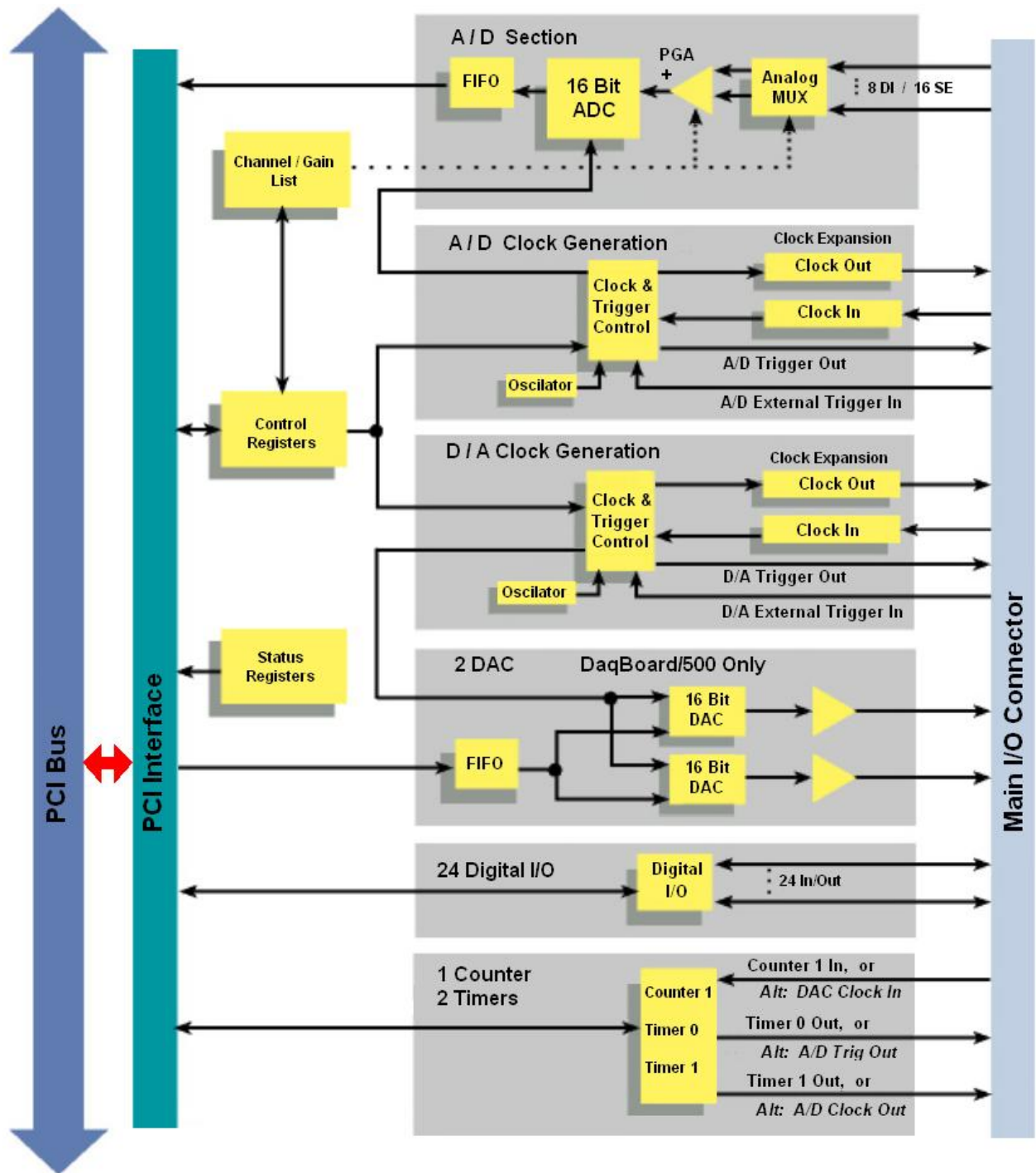
A digital calibration method is used for both analog-to-digital and digital-to-analog conversions. Please contact the factory should you believe your board to be in need of calibration.

Basic Information

Analog Inputs	16 Single-Ended or 8 Differential	
Ranges	Unipolar	Bipolar
	0 to 10V	± 10V
	0 to 5V	± 5V
	0 to 2.5V	± 2.5V
	0 to 1.25V	± 1.25V
Resolution	16-bit	
A/D Sample Rate	200 kHz	
Gains (Programmable)	x1, x2, x4, x8	
D/A Outputs (16-Bit)*	2 Clocked DACs (DaqBoard/500 only)	
Digital I/O	24	
Counters (16-Bit)	1	
Timers	2	
Associated Terminal Board	TB-100 (optional)	
Associated Cables	CA-G55:	68 Pin SCSI III Cable, 3 ft.
	CA-G56:	68 Pin SCSI III Cable, Shielded, 3 ft.
	CA-G56-6:	68 Pin SCSI III Cable, Shielded, 6 ft.

*D/A Outputs do not apply to DaqBoard/505.

Block Diagram



DaqBoard/500 Series Block Diagram

Board Features

Analog I/O

DaqBoard/500 Series boards support 16 single-ended or 8 differential analog inputs multiplexed to a 16-bit A/D converter. The input multiplexer is supported by a 176 element channel gain RAM which allows the board to select gain on a per channel basis and to access channels in any order. The 16-bit A/D has a maximum throughput of 200 kHz. An A/D Pacer clock is provided to allow sampling rates from 0.0009 Hz to 200 kHz. The DaqBoard/500 includes two DACs for analog output.*

Digital I/O

DaqBoard/500 Series boards have 24 lines of TTL level digital I/O programmable in three 8-bit ports as either inputs or outputs. All 24 lines are brought out via the main 68-pin SCSI III connector.

Counter 1

Counter 1 (CNTR1) can provide either cumulative or incremental counting capabilities. The counter is capable of counting 5 V LSTTL rising edges to a maximum count of 131071 decimal.

Timer 0 and Timer 1

Timer0 (TMR0) and Timer1 (TMR1) provide a 50% duty cycle square wave 5 V LSTTL output with an output frequency range of 7.7 Hz to 500 kHz. The Timer's output frequency is based on a 1 MHz oscillation with a divisor of 1 to 65536 decimal.

PCI Interface

DaqBoard/500 Series boards communicate to the PCI bus through an interface controller. The boards are fully *plug-and-play* and have no switches, potentiometers, or jumpers. The boards feature digitally calibrated A/D and D/A's, and *plug-and-play* compatibility to provide automatic integration into the PC's configuration when first installed.

The PCI interface provides access to all on-board registers for software configuration of all on-board functions. For maximum performance, the boards feature a 32-bit bus-mastering DMA engine on the ADC and DAC hardware to provide high-speed transfers between the board and system memory.

DMA Engine

Interrupt latency on the PCI bus can be extremely inefficient for high-speed data acquisition. For this reason, DaqBoard/500 and DaqBoard/505 each use an onboard DMA engine. The engine [analogous to the older ISA type DMA controller] supports *scatter/gather* (buffer chaining) with a pair of chain address registers. These registers point to system memory for use in the buffered transfer.

The DMA controller is loaded with the previously allocated physical addresses of the buffers and only generates interrupt requests when the current transfer buffer has been completed. This reduces the burden of CPU interrupt intervention.

Both analog input and analog output channels* have on-board DMA engine support for high-speed data transfers. The two analog output channels have individual DMA engines and clocking methods available. The DAC1 clocking source may be set to the DAC0 clocking source to allow simultaneous DAC transfers.


All PCI bus transfers are 32-bit operations. Analog input and analog output transfers are each independently software selectable to allow either 16-bit or 32-bit data transfers. An immediate improvement of *twice the memory bandwidth* can be achieved by transferring two analog input data points [or two analog output data points] into memory as a single 32-bit PCI transfer.


* The DAC analog output channels apply to DaqBoard/500 only.



Notes

- Overview 2-1*
- 68-Pin SCSI Type III Connector 2-2*
- Signal Definitions 2-3*
- TB-100 Terminal Connector Option 2-6*
- External Connections 2-7*

WARNING	
	<p>Always turn the computer power OFF and unplug it before connecting or disconnecting a screw terminal panel or a cable to the PCI card. Failure to do so could result in electric shock, or equipment damage.</p>

CAUTION	
	<p>The discharge of static electricity can damage some electronic components. Semiconductor devices are especially susceptible to ESD damage. You should always handle components carefully, and you should never touch connector pins or circuit components unless you are following ESD guidelines in an appropriate ESD controlled area. Such guidelines include the use of properly grounded mats and wrist straps, ESD bags and cartons, and related procedures.</p>

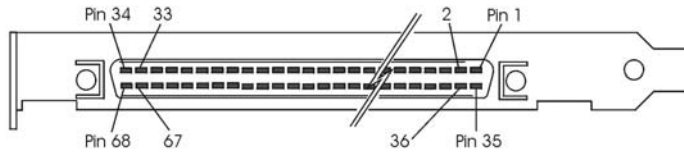
Overview

DaqBoard/500 Series boards communicate [external from the host PC] through a 68-pin SCSI III connector. An optional TB-100 terminal board offers convenient screw-terminal connections for all signal I/O.

Pinouts for both the DaqBoard/500 Series connector and the TB-100 follow.

The TB-100 option can be easily connected to a DaqBoard/500 or DaqBoard/505 via one of three 68-conductor cables. These are: CA-G55, a 3 ft. unshielded cable; CA-G56, a 3 ft. shielded cable; and CA-G56-6, a 6 ft. shielded cable.

68-Pin SCSI Type III Pinout



Standard 68-Pin SCSI Type III, Socket (Female) Connector with Orb

Pin	Signal	Description / Comments	Pin	Signal	Description / Comments
1	DACLKIN/ CNTRI See Pin 39 [Note]	External DAC Clock In or Counter 1. Rising or Falling Edge Sensitive.	35	DGND	Digital Ground
2	ADCLKIN See Pin 5 [Note 3]	External ADC Clock In	36	DGND	Digital Ground
3	ADTRGOUT/ TMR0	Internal ADC Trigger Output/ Timer 0 Clock Output	37	ADCLKOUT/ TMR1	Internal ADC Clock Output/ Timer 1 Clock Output
4	--	Reserved	38	DATRGIN	DAC0 External Gate (Level Controlled), or External Trigger (Edge Active).
5	ADCLKIN See Pin 2 [Note 3]	External ADC Clock In	39	DACLKIN/ CNTRI See Pin 1 [Note 4]	External DAC Clock In, or Counter 1. Rising or Falling Edge Sensitive.
6	ADTRGIN	ADC Trigger	40	DGND	Digital Ground
7	C6	TTL Level Digital I/O Ch. C6	41	C7	TTL Level Digital I/O Ch. C7
8	C4	D TTL Level Digital I/O Ch. C4	42	C5	TTL Level Digital I/O Ch. C5 D
9	C2	I TTL Level Digital I/O Ch. C2	43	C3	TTL Level Digital I/O Ch. C3 I
10	C0	G TTL Level Digital I/O Ch. C0	44	C1	TTL Level Digital I/O Ch. C1 G
11	B6	I TTL Level Digital I/O Ch. B6	45	B7	TTL Level Digital I/O Ch. B7 I
12	B4	T TTL Level Digital I/O Ch. B4	46	B5	TTL Level Digital I/O Ch. B5 T
13	B2	A TTL Level Digital I/O Ch. B2	47	B3	TTL Level Digital I/O Ch. B3 A
14	B0	L TTL Level Digital I/O Ch. B0	48	B1	TTL Level Digital I/O Ch. B1 L
15	A6	TTL Level Digital I/O Ch. A6	49	A7	TTL Level Digital I/O Ch. A7
16	A4	I TTL Level Digital I/O Ch. A4	50	A5	TTL Level Digital I/O Ch. A5 I
17	A2	O TTL Level Digital I/O Ch. A2	51	A3	TTL Level Digital I/O Ch. A3 O
18	A0	TTL Level Digital I/O Ch. A0	52	A1	TTL Level Digital I/O Ch. A1
19	+5 VDC	Power	53	DGND	Digital Ground
20	ARET 1 [Note 2]	Analog Return 1	54	ARET 0 [Note 2]	Analog Return 0
21	AOUT 1 [Note 2]	DAC1 , Analog Out 1	55	AGND	Analog Ground
22	AOUT 0 [Note 2]	DAC0 , Analog Out 0	56	AGND	Analog Ground
ANALOG INPUTS For Single Ended			ANALOG INPUTS For Single Ended		
For Differential			For Differential		
23	AIN 15	Ch. 15	57	AIN 7	Ch. 7
24	AGND	Analog Ground	58	AIN 14	Ch. 14
25	AIN 6	Ch. 6	59	AGND	Analog Ground
26	AIN 13	Ch. 13	60	AIN 5	Ch. 5
27	AGND	Analog Ground	61	AIN 12	Ch. 12
28	AIN 4	Ch. 4	62	SGND	Signal Ground
29	AGND	Analog Ground	63	AIN 11	Ch. 11
30	AIN 3	Ch. 3	64	AGND	Analog Ground
31	AIN 10	Ch. 10	65	AIN 2	Ch. 2
32	AGND	Analog Ground	66	AIN 9	Ch. 9
33	AIN 1	Ch. 1	67	AGND	Analog Ground
34	AIN 8	Ch. 8	68	AIN 0	Ch. 0

Notes to this table appear on the following page.

SCSI III Pinout Notes *(Apply to the preceding table.)*

- Note 1:** AOUT 1 (DAC1) applies to DaqBoard/500 only. The clock source of the secondary DAC1 channel may be software command, DAC1 Pacer clock, or Channel 0 clock source. Likewise, the return line (ARET 1) only applies to the DaqBoard/500.
- Note 2:** AOUT 0 (DAC0) applies to DaqBoard/500 only. The clock source of the primary DAC0 channel may be software command, DAC0 Pacer clock, or an external event (DACLKIN). Likewise, the return line (ARET 0) only applies to the DaqBoard/500.
- Note 3:** Pins 2 and 5 (ADCLKIN) are redundant signal connections. Only one of these pins is to be used at time.
- Note 4:** Pins 1 and 39 (DACLKIN/CNTR1) are redundant signal connections. Only one of these pins is to be used at time. Use must be for either External DAC Clock In or Counter 1.

Signal Definitions

The following is a description of each of the signals available at the 68-pin SCSI Type III connector, as indicated in the preceding pinout.

Analog Input Channels

These channel signals are over-voltage protected to 20 V above or below the ± 15 V power supply. The channel inputs can withstand input voltages of up to ± 20 volts when the power to the system is off.

Differential Channels, Pin Reference		
	HI (+) Pin #	LO (-) Pin #
Ch 0	68	33
Ch 1	65	30
Ch 2	28	60
Ch 3	25	57
Ch 4	34	66
Ch 5	31	63
Ch 6	61	26
Ch 7	58	23

Analog Outputs *(applicable to DaqBoard/500 only)*

AOUT 0, AOUT 1 - These signals are the voltage output signals from **DAC0** and **DAC1**, respectively.

ARET 0, ARET 1 - These signals are the return lines for the voltage outputs. These inputs are essentially tied to **AGND** (Analog Ground) on the board.

Digital I/O Lines (24 total)

A total of 24 digital I/O lines exist in three groups of eight. The groups are:

- **A0** through **A7**
- **B0** through **B7**
- **C0** through **C7**

Each group of eight TTL level digital control lines (A, B, and C) is configurable as 8 bit input or output.

ADCLKIN – Uses pin #2 or pin #5. **ADCLKIN** is the ADC External Pacer Clock Input. This input recognizes TTL level signals and is edge sensitive. The active edge is selectable as either rising or falling.



The **ADCLKIN** signal connection can be made at either pin #2 or pin #5, but **NOT** both at the same time.

ADCLKOUT/TMR1 – Uses pin #37 for one of the following two functions.

ADCLKOUT is the ADC's External Clock Output. Each time the ADC is clocked from any of the available clocking sources the **ADCLKOUT** signal pulses high for a period of 1 micro-second. This output can be used to synchronize multiple A/D converters on different PCI cards allowing simultaneous A/D conversions by connecting the **ADCLKOUT** to the **ADCLKIN** input of each PCI card.

TMR1 is an LSTTL output signal that provides a second clock source with characteristics identical to **TIMER0**. The connection makes use of a separate [and independent] **TMR1** internal software pacer clock.



The **ADCLKOUT** signal line is shared with the on-board **TMR1** Clock Output signal, pin #37 on the 68-pin SCSI III connector. Only one output signal may be generated to the **ADCLKOUT** / **TMR1** pin (or associated terminal) at any given time. **TIMER 1** is automatically disabled in hardware when the **ADCLKOUT** is enabled.

ADTRGIN – Uses pin #6. **ADTRGIN** is the External ADC Trigger/Gate Input. This input recognizes TTL level signals and is used to start or stop the ADC acquisition process. The input is selectable as either rising/falling edge or active high/low level sensitivity.

ADTRGOUT/TMR0 – Uses pin #3 for one of the following two functions.

ADTRGOUT is the internal ADC's Trigger Output. Each time the ADC is triggered from any of the available triggering sources the **ADTRGOUT** signal pulses high for a period of 1 μ s. This output can be used to synchronize multiple A/D converters on different cards allowing simultaneous A/D triggering by connecting the **ADTRGOUT** to the **ADTRGIN** input of each PCI card.

The **TMR0** LSTTL output signal provides a 50% duty cycle square wave derived from an independent **TMR0** internal software pacer clock. The pacer clock period can be set from 1 us to 65535 us, producing an output clock rate from 500 KHz down to approximately 7.6295 Hz.



The **ADTRGOUT** signal line is shared with the on-board **TIMER 0** Clock Output signal (**TMR0**) pin #3 on the 68-pin SCSI III connector. Therefore only one output signal may be generated to the **ADTRGOUT** / **TMR0** terminal at any given time. The **TIMER 0** is automatically disabled in hardware when the **ADTRGOUT** is enabled.

DACLKIN/CNTR1 – Uses pin # 1 or pin # 39 for one of the following two functions.

DACLKIN is the External DAC Pacer clock input. This input recognizes TTL level signals and is edge sensitive. The active edge is selectable as either rising or falling.

CNTR1 is the general purpose Counter 1 clock input. This input recognizes TTL level signals and is rising edge sensitive. The input clock rate cannot exceed 500 kHz. The clock source must provide a minimum pulse width of 100 ns.



The **DACLKIN** signal line is shared with the on-board **COUNTER 1** Clock Input signal (CNTR1). This is true for both pin #1 and pin # 39 on the 68-pin SCSCI III connector.

Only one input signal may be connected to the DACLKIN/CNTR1 pin (or associated terminal) at any given time; and the signal can only be connected to pin # 1 or pin # 39, NOT both.

Attempting to use COUNTER 1 when the DAC Pacer Clock Source is set for an External Clock Input would not be possible unless COUNTER 1 was being used to count the DAC's External Clock Input signal.

DATGRIN – Uses pin # 38. **DATGRIN** is the External DAC0 Trigger/Gate Input. This input recognizes TTL level signals and is used to start or stop the DAC acquisition process. The input is selectable as either rising/falling active edge or active high/low level sensitivity.

Ground Lines

SGND - This signal is the reference ground used for A/D conversions. If you are measuring from a fully floating source in differential mode, it would be beneficial to tie one of the channel inputs to this point. This signal should not be used for sinking large amounts of current. This signal also acts as the common reference line when the board is configured for single-ended inputs.

AGND - This signal can be used just like SGND. In some environments AGND can also be used for tying cable shields to reduce analog noise.

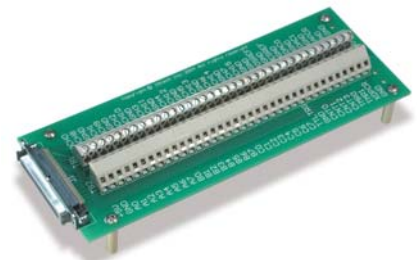
DGND - This signal is the +5 V power return line. It is generally noisier than AGND and is a good logic low reference point.

Power Line

+5 V This signal is sourced directly from the PCI Bus. These lines are fused @ 1 Amp.

TB-100 Terminal Connector Option

The TB-100 Terminal Connector option can be used to connect all signal I/O lines that are associated with a DaqBoard/500 or /505. TB-100 can connect to either board's 68-pin SCSI III connector via a 3 ft., 68-conductor cable (CA-55 or the shielded CA-56); or via a 6 ft. shield cable (CA-56-6).



TB-100 Pinout			The "Pin" column refers to the pin no. on the 68-Pin SCSI III Connector.		
Screw Terminals for TB2 Side		Pin	Screw Terminals for TB1 Side		Pin
+5V	Vcc (+5 VDC)	19	ACH0	Analog Input Channel 0	68
GND	Digital Common	Note 1	ACH8	Analog Input Channel 8	34
A0	Digital I/O Line A0	18	AGND	Analog Common	Note 2
A1	Digital I/O Line A1	52	ACH1	Analog Input Channel 1	33
A2	Digital I/O Line A2	17	ACH9	Analog Input Channel 9	66
A3	Digital I/O Line A3	51	AGND	Analog Common	Note 2
A4	Digital I/O Line A4	16	ACH2	Analog Input Channel 2	65
A5	Digital I/O Line A5	50	ACH10	Analog Input Channel 10	31
A6	Digital I/O Line A6	15	AGND	Analog Common	Note 2
A7	Digital I/O Line A7	49	ACH3	Analog Input Channel 3	30
B0	Digital I/O Line B0	14	ACH11	Analog Input Channel 11	63
B1	Digital I/O Line B1	48	AGND	Analog Common	Note 2
B2	Digital I/O Line B2	13	ACH4	Analog Input Channel 4	28
B3	Digital I/O Line B3	47	ACH12	Analog Input Channel 12	61
B4	Digital I/O Line B4	12	AGND	Analog Common	Note 2
B5	Digital I/O Line B5	46	ACH5	Analog Input Channel 5	60
B6	Digital I/O Line B6	11	ACH13	Analog Input Channel 13	26
B7	Digital I/O Line B7	45	AGND	Analog Common	Note 2
C0	Digital I/O Line C0	10	ACH6	Analog Input Channel 6	25
C1	Digital I/O Line C1	44	ACH14	Analog Input Channel 14	58
C2	Digital I/O Line C2	9	AGND	Analog Common	Note 2
C3	Digital I/O Line C3	43	ACH7	Analog Input Channel 7	57
C4	Digital I/O Line C4	8	ACH15	Analog Input Channel 15	23
C5	Digital I/O Line C5	42	XDAC3	Analog Output, DAC3	56
C6	Digital I/O Line C6	7	SGND	Low Level Sense Common	62
C7	Digital I/O Line C7	41	POSREF	+5 VDC Positive Reference	20
TTLTRG	ADTRGIN - External ADC Trigger/Gate Input	6	XDAC2	Analog Output, DAC2	55
GND	Digital Common	Note 1	NEGREF	- 5 VDC Negative Reference	54
CNT0	ADCLKIN (ADC Clock)	5 Note 4	AGND	Analog Common	Note 2
CNT1	DACLKIN (DAC Clock), or CNTR1 (Counter 1)	39 Note 5	XDAC0	Analog Output, DAC0	22
CNT2	----- Reserved -----	4	AGND	Analog Common	Note 2
CNT3	DATRGIN (DAC trigger/gate input)	38	XDAC1	Analog Output, DAC1	21
TMR0	ADTRGOUT (ADC Trigger Output), or TMR0 (Timer Output 0)	3	AGND	Analog Common	Note 2
TMR1	ADCLKOUT (ADC Pacer Clock), or TMR1 (Timer Output 1)	37	XAPCR	ADCLKIN (A/D Pacer Clock)	2 Note 4
XDPCR	DACLKIN (DAC Pacer Clock), or CNTR1 (Counter 1)	1 Note 5	GND	Digital Common	Note 1
GND	Digital Common	Note 1	EGND	Earth Ground	N/A

Notes, including a table for Differential Analog Input, appear on the following page.

TB-100 Notes *(Apply to the preceding table.)*

- Note 1:** Digital Common Pins on the SCSI III connector are: 35, 36, and 40.
- Note 2:** Analog Common Pins on the SCSI III connector are: 24, 27, 29, 32, 59, 64, and 67.
- Note 3:** References are not provided for DaqBoard/500 Series devices. For this reason POSREF and NEGREF are tied to the Analog Return signals. POSREF connects to ARET1 (Pin 20 on the DaqBoard) and NEGREF connects to ARET0 (Pin 54 on the DaqBoard).
- Note 4:** In regard to DaqBoard/500 and DaqBoard/505: TB-100 connectors labeled "XAPCR" and "CNT0" are both used for ADCLKIN (ADC Clock) and therefore cannot be used at the same time. The XAPCR connector is assigned to SCSI-68 connector pin 2. The TB-100 connector labeled "CNT0" [used for ADCLKIN] is assigned to SCSI-68 connector pin 5. Note that DaqBoard/500 Series devices have only one counter implemented, i.e., Counter 1. Counter 0 is not implemented.
- Note 5:** In regard to DaqBoard/500 and DaqBoard/505: TB-100 connectors labeled "CNT1" and "XDPCR" are the same dual-function signal (DACKLIN/CNTR1) and therefore cannot be independently driven. CNT1 is assigned to SCSI-68 connector pin 39. XDPCR is assigned to SCSI-68 connector pin 1.
- Note 6:** The following table provides screw terminal reference for connecting analog channels *differentially*, as opposed to *single-ended*.

Differential Channels, Screw Terminal Reference		
	HI (+)	LO (-)
Ch 0	ACH0	ACH1
Ch 1	ACH2	ACH3
Ch 2	ACH4	ACH5
Ch 3	ACH6	ACH7
Ch 4	ACH8	ACH9
Ch 5	ACH10	ACH11
Ch 6	ACH12	ACH13
Ch 7	ACH14	ACH15

External Connections

WARNING



Always turn the computer power OFF and unplug it before connecting or disconnecting a screw terminal panel or a cable to the PCI card. Failure to do so could result in electric shock, or equipment damage.

The DaqBoard/500 Series boards bring out +5 V to the main I/O connector [J1]. This power line is fused to protect the boards. Connecting or disconnecting cables or screw terminal panels (as well as any user connections to the power line) may blow a fuse, or worse, cause damage to the board. If you are getting incorrect data readings check that the fuse is not blown.

The power line fuse for the +5V to J1 is designated as F3. It is a "Pico Fuse" with a 1.0A, 125V rating.

Connecting User Wiring

Incorrect connection of user wiring is one of the most common problems experienced by users of data acquisition boards. To ensure proper results, you must first determine what type of signal source you are measuring (Ground Referenced Source or Floating Source), and then choose the appropriate input configuration on your data acquisition board (Differential or Single-Ended).

Signal Types

Floating Sources

A Floating Source is a signal that has no connection to the building's power ground. Examples of Floating Sources are thermocouples, batteries and battery powered devices, and signals from optically isolated devices. When connecting Floating Sources to a data acquisition board, the ground reference of the signal **must be tied to the analog ground (AGND)** in order to establish a common reference point.

Ground Referenced Sources

A Ground Referenced Source is one that is connected to the same common ground as the host PC, and therefore has the same ground as the data acquisition boards. An example is equipment that plugs into the same building power source as the host PC.



Due to differences in a building's power system, the Ground Referenced Source and the data acquisition board's ground may be at different voltage levels. This difference is referred to as a Common Mode Voltage. Common Mode Voltage can be eliminated by using Differential (DI) input configurations on the data acquisition board.

Choosing A/D Input Configuration

Once you have determined what type of input signal source you have, and the voltage level, you then need to select the proper input configuration on your data acquisition board.

Single-Ended

Applications with a Floating Source are typically wired to a data acquisition board configured for Single-Ended (SE) configuration. Since only one wire from each input signal is connected to a multiplexed input of the A/D, the Single-Ended configuration provides a larger number of inputs per board than Differential (see below) configuration. Grounded Signal Sources can be wired in Single-Ended configuration only when signal leads are less than 12 feet **AND** when all signals share a common ground (the signals must be local to one another).

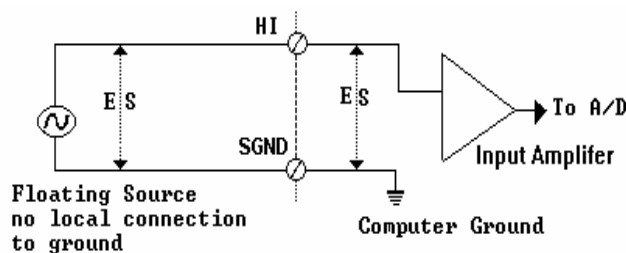
With the Single-Ended configuration, the input signals are tied to the Channel Hi side of an analog input, and all signal low sides are tied to the SGND ground on the data acquisition board.

Single-Ended configuration should only be used when:

- ⊕ Channel-to-channel isolation is not required
- ⊕ Ground isolation is not required
- ⊕ Signal leads are less than 12 feet

Of the two possible input configurations, Single-Ended offers the least amount of noise rejection. Because of this, Low Level signals should only be wired in Single-Ended configuration when you are certain that there is little or no noise being introduced to the signal from the system, or the environment.

The following figure depicts proper wiring for Single-Ended configuration.



Single-Ended Configuration

Not recommended for Low Level Signals

Differential for Floating Signal Sources

Floating Signal Sources are typically wired to a data acquisition board in Single-Ended configuration. However, when the Floating Source signal leads pass through an electrically noisy environment, Differential configuration will give the best performance.

When wiring Floating Signal sources in Differential configuration, a resistor can be connected from the low side of the sources to analog ground (AGND). These resistors create a return path to AGND for the bias currents of the instrumentation amplifier and can reduce the common mode noise.

All DaqBoard/500 Series boards provide 10 M Ω of resistance between each analog input and ground. In most cases the 10 M Ω of resistance is sufficient for the return of bias current.

Resistor Connection Scenarios

If the Input Signal is DC Coupled

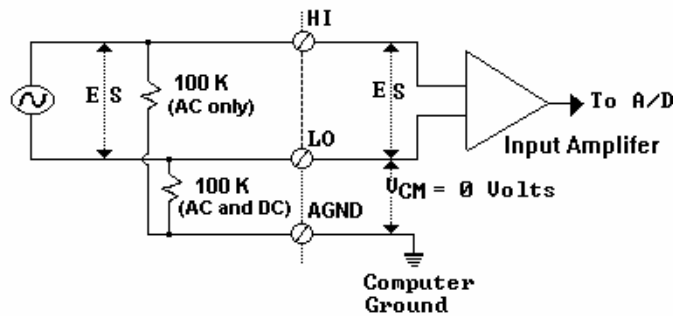
Use a Resistor Value from: 10 K Ω to 100 K Ω
Connect the resistor between:
Input Signal Return (ARET) and AGND

If the Input Signal is AC Coupled

Use resistors with values from: 10 K Ω to 100 K Ω
(a) Connect one resistor between:
Input Signal High and Input Signal Low
(b) Connect a second resistor between:
Input Signal Low and AGND

Making resistor connections as indicated will significantly increase the load on the measurement source, possibly reducing the measured voltage. A trial and error approach may be required when trying to reduce common mode noise.

The following figure shows how to properly wire a Floating Source Signal in Differential configuration.



Differential Configuration for Floating Sources

Configuration through Software

DaqBoard/500 Series boards have no hardware jumpers or switches. All data-acquisition settings such as analog input, data collection rates, input voltage range, and operating modes are configured through application software. A DaqView software driver provides an application level software interface to Windows NT, 2000, and XP. Software packages such as LabVIEW can also be used. These packages configure and collect, or output, acquisition data in a GUI based interface.

Analog Input Configuration

The analog inputs are impedance buffered and drive a differential gain amplifier that can be referenced in a number of ways allowing for Single-Ended or Differential programmable input configurations.

A “1 to 176” element channel configuration RAM is provided to allow each ADC channel to be set with a different Gain, Range, Thermocouple Type and Input Configuration selection combination.

ADC Ranges

The analog inputs may be configured for either ± 10 V bipolar or 0 to 10 V unipolar operation. The input range is programmable on a channel by channel basis in a 176-element channel configuration RAM. Note that the range selection also applies to expansion channels.

The programmable gain circuitry must also be taken into account in defining the usable error free input range. The boards provide a wide range of programmable ranges and resolutions. The following tables indicate the maximum resolution under different conditions. Note that resolution is not accuracy. Resolution defines the minimum definable voltage increment. Absolute DC accuracy and relative accuracy defines exactly how close the reading will be to the actual voltage input.

ADC INPUT DaqBoard/500 Series Range Resolution		
Bipolar		
Programmable Gain	Full Scale Range	Microvolt Resolution
x1	± 10.00 V	310.140 μ V/bit
x2	± 5.00 V	155.070 μ V/bit
x4	± 2.50 V	77.535 μ V/bit
x8	± 1.25 V	38.768 μ V/bit
Unipolar		
Programmable Gain	Full Scale Range	Microvolt Resolution
x1	0 to 10.00 V	155.070 μ V/bit
x2	0 to 5.00 V	77.535 μ V/bit
x4	0 to 2.50 V	38.768 μ V/bit
x8	0 to 1.25 V	19.384 μ V/bit

DAC Ranges

The output range of the DaqBoard/500 DACs [DAC0 and DAC1] can be independently set to either ± 10 V, or 0 to 10 V.

The following table indicates the maximum resolution for each range. Note that resolution is not accuracy. Resolution defines the minimum definable voltage increment. Absolute DC accuracy and relative accuracy define exactly how close the actual voltage output will be to the expected output.

DAC OUTPUT DaqBoard/500 DAC Range Resolution		
Range Configuration	Full Scale Range	Microvolt Resolution
BIPOLAR	± 10.00 V	305.600 μ V/bit
UNIPOLAR	0 to 10.00 V	152.800 μ V/bit

- Overview 4-1
- Out-of-the-Box™ Software 4-1
- Drivers for Third-party, Icon-driven Software 4-2
- DaqCOM Driver 4-2
- Theory of Operation 4-3

Overview

DaqBoard/500 Series boards have several software options. Three types of software are available:

- ✦ *Out-of-the-box* graphical programs, e.g., DaqView, ViewXL, and post acquisition data analysis programs such as eZ-PostView, eZ-TimeView, and eZ-FrequencyView.
- ✦ drivers for third-party, icon-driven software such as LabVIEW.
- ✦ various language drivers to aid custom programming using API; includes DaqCOM™ ActiveX/COM support.

Out-of-the-Box™ Software

Out-of-the-Box programs are convenient for fill-in-the-blank applications that do not require programming for basic data acquisition and display:

- ✦ **DaqView** is a Windows-based program for basic set-up and data acquisition. DaqView lets you select desired channels, gains, and a host of other parameters with a click of a mouse. DaqView lets you stream data to disk and display data in numerical or graphical formats.
- ✦ **ViewXL** allows you to interface directly with Microsoft Excel to enhance data handling and display. Within Excel you have a full-featured Daq control panel and all the data display capabilities of Excel.
- ✦ **eZ-PostView** provides a simple method of graphically viewing acquired data. Up to 8 windows can be displayed on one screen, with up to 16 channels overlaid on each window. eZ-PostView makes it simple to visually inspect acquired waveforms from multiple channels within seconds of acquiring the data. Documentation, in Adobe PDF format, is provided on the CD. Refer to the *PostAcquisition Analysis.PDF*.
- ✦ **eZ-TimeView & eZ-FrequencyView**
eZ-TimeView and eZ-FrequencyView are optional post-acquisition analysis packages, which are related to eZ-PostView, but include more features. eZ-TimeView is targeted at time-domain analysis, including min/max, peak-peak, mean, RMS, plus a wide variety of plotting and waveform viewing capabilities. eZ-FrequencyView is targeted at post-acquisition frequency-domain analysis, including FFT's, octave analysis, plus dozens of other analysis features. Documentation, in Adobe PDF format, is provided on the CD. Refer to the *PostAcquisition Analysis.PDF*.
- ✦ The **Daq Configuration control panel** allows for interface configuration, testing, and troubleshooting.



DaqView can only be used with one DaqBoard at a time.
LabVIEW can be used with multiple boards.

For multiple board use (via custom programming) refer to the *Using Multiple Devices* section of the *Programmer's Manual* or to *DaqCOM* documentation.



Reference Notes:

The software documents: *DaqView*, *ViewXL*, and *Post Acquisition Data Analysis User's Guide*, are available in PDF version.

During software installation, Adobe® PDF versions of user manuals will automatically install onto your hard drive as a part of product support. The default location is in the **Programs** group, which can be accessed from the *Windows Desktop*. Refer to the PDF documentation for details regarding both hardware and software.

Note that the PDF documents can be read directly from the CD by using the <**View PDFs**> button located on the opening install screen.

A copy of the Adobe Acrobat Reader® is included on your CD. The Reader provides a means of reading and printing the PDF documents. Note that hardcopy versions of the manuals can be ordered from the factory.

Drivers for Third-party, Icon-driven Software



DaqView can only be used with one DaqBoard at a time.
LabVIEW can be used with multiple boards.

For multiple board use (via custom programming) refer to the *Using Multiple Devices* section of the *Programmer's Manual* or to *DaqCOM* documentation.

LabVIEW®

The DaqBoard/500 Series boards are fully supported by our data acquisition VIs for LabVIEW and include engineering data conversion, data display and logging capabilities.

DaqCOM Driver

The DaqCOM™ suite of programming allows applications developers to rapidly develop and deploy custom systems by leveraging COM (Component Object Model) technology. DaqCOM does this by providing a powerful easy-to-use interface to most programming languages including, Visual Basic®, VBA, C++, and J++. In addition, DaqCOM supports the new Windows.NET architecture and includes examples for VisualBasic.NET and C++. Support for VisualStudio.NET is accomplished via the COMInterop feature within VisualStudio.NET.

Theory of Operation

Process Definitions

In order to best understand how to operate the various board functions, it is important to first understand the language that will be used to describe the board processes. The following is a list of pertinent terms and definitions used in this document.

ADC Analog to Digital Converter, also referred to as A/D. This is the circuitry that samples the voltage present at one of the inputs and translates that reading to a number that is representative of the input voltage. The number supplied by the ADC is referred to as the ADC DATA or RAW DATA and its units are bits or binary digits.

DAC Digital to Analog Converter, also referred to as D/A. This is the circuitry that translates a binary data word to a specific voltage level. The two DACs on the DaqBoard/500 are specified for DC accuracy. The DACs can be clocked and triggered. The DAC outputs are updated as soon as they receive new data.

Note: DaqBoard/505 has no DACs.

ADC Channel One of 16 analog input channels (see ADC).

ADC [Raw] Data This is the *unscaled number* returned by the ADC. It will be in the range of 0 to +65536, regardless of whether the data coding is for unipolar or bipolar inputs. The number is typically multiplied by a scale factor to convert it to useful engineering units. For example: the bipolar ± 10 V input uses a scale factor of .005 V/bit. An ADC reading of +1000, when multiplied by .005 V, results in +5.000 V. Similarly, the 16-bit scale factor for the ± 10 V scale is .000130140 V/bit.

DAC [Raw] Data This is the *unscaled number* sent to each DAC channel. It will be in the range of 0 to +65536, regardless of whether the data coding is for unipolar or bipolar inputs. The number is typically multiplied by a scale factor to convert it to useful engineering units. For example: An input in the range of 0 to 10 V uses a scale factor of 0.000152800V/bit. A DAC DATA value of 32723, when multiplied by 0.00015280, results in 5.000044 V at the DAC output line.

ADC Conversion This is the process of sampling a single input or transducer's voltage and generating a representative data value.

DAC Conversion This is the process of outputting a single voltage generated from representative data value.

ADC Acquisition This term refers to a series of A/D conversions. This series may consist of sampling a single channel several times or sampling several channels sequentially one or more times. An acquisition has a clearly defined Starting point and Ending point. Thus an acquisition may be STARTED and STOPPED.

DAC Acquisition This term is used to refer to a series of D/A conversions. This series may consist of outputting a single DAC channel several times or outputting both channels simultaneously one or more times. An acquisition has a clearly defined Starting point and Ending point. Thus an acquisition may be STARTED and STOPPED.

ADC and DAC Clock This is the signal or impetus that initiates an A/D or D/A conversion. To CLOCK the ADC or DAC is to start an A/D conversion. The term clock is used for this process because typically a clock signal consists of a series of pulses that are periodic or evenly timed. If the conversions are evenly spaced it is then possible to digitally reconstruct the input waveform without distorting its component frequencies.

ADC and DAC PACER Clock This is a timed periodic signal that may either directly clock the ADC/DAC or initiate a burst of ADC conversions. Thus the PACER clock is exclusive to both the ADC and DAC channels.

ADC and DAC Trigger This is the signal or impetus that initiates or terminates an Acquisition. Essentially the Trigger Starts or Stops the ADC or DAC PACER Clock.

ADC Channel Configuration RAM This is the term used for the ADC's Channel, Gain, Range, and Input Configuration lookup table. The length of this table can be anywhere from 1 element to 176 elements. When an ACQUISITION is in process, the board will sequentially go through this list to determine the channel and gain setting for the next conversion. Thus, channels may be sampled in any order and at any gain. Note, however, that for maximum performance, it is recommended that channels with like gains be grouped together in the sample sequence.

ADC and DAC DMA Short for Direct Memory Access, DMA is the most self-sufficient of the Acquisition Modes available over the PCI bus. In this mode, data from each conversion is automatically transferred directly from the board to [or from] a pre-specified block of system memory. DMA allows the acquisition process to run in the background with virtually no software overhead.

Clocking the ADC

The source of the ADC clock can be a Pacer Clock or an External Event (ADCLKIN).

ADC Pacer Clocking

A series of A/D conversions may be controlled by the on-board pacer clock. This timer can be programmed to generate a periodic clock rate up to the ADC's maximum rate or as slow as 4 samples per hour.

ADC External Event Clocking

Conversions may also be caused by an external event. ADCLKIN is an edge sensitive input that can be programmed to cause conversions. The ADCLKIN is selectable as either rising or falling edge sensitive. Once an ADC clock is received, the Analog input is immediately sampled. Converted data will become available within 5 microseconds (max). Any attempt to clock the ADC while an A/D conversion is currently running will result in a Clock Error.

ADC Maximum Clock Rate

The maximum rate which the ADC should be clocked and retain optimal accuracy will vary depending on several factors. These include ADC resolution (16-bits), gain setting, and sampling mode.

DaqBoard/500 Series boards use 16-bit ADC chips. The chips sample at rates up to 200 kilo-samples per second. These limits may not be exceeded. If the sample clock runs faster some of the clock pulses will be ignored by the circuitry, and a clock error will be generated.

The second factor involves the front-end circuitry. The bandwidth of the front-end will vary depending on the gain setting (and the required resolution). The bandwidth will limit the maximum signal frequency the board can pass. Essentially, when sampling a single channel repeatedly, the ADC may be operated up to its maximum speed, but the front-end will filter out any frequency components of the input signal that exceeds the bandwidth of the system.

When changing channels [even if the input signal is static] the front-end is required to respond to a changing input each time the channel is changed. The net effect is that the maximum sampling speed of the ADC is limited to the bandwidth of the front-end when changing channels.

Each time a conversion is initiated, the ADC goes into hold mode and the front-end begins to settle on the next channel.

Starting (Triggering) an ADC Acquisition

There are several methods that can be used to initiate an acquisition, all of these are achieved by triggering or gating the ADC clock as mentioned previously. Note that a trigger is an edge active event and a gate is a level controlled enable.

An acquisition can be initiated via the following:

- Software
- External Gate (ADTRGIN)
- External Trigger (ADTRGIN)

ADC Software

Software can be used to start and stop the on-board ADC pacer clock.

ADC External Gate

An ADC clock may be “switched On” (and Off) with the external ADTRGIN input. The input is level sensitive and selectable as either active high or active low control. If the on-board pacer clock drives the ADC, the external gate input is used to enable and disable the ADC’s pacer clock after being polarity conditioned. The ADC clock will be enabled as long as the gate input is in the active state.

ADC External Trigger

The external gate/trig input (ADTRGIN) may also be configured as a rising or falling edge sensitive input to trigger the start of the ADC clock. External triggers are ignored until the ADC is enabled. Once the ADC is enabled, the next active edge signal on ADTRGIN will enable the ADC Clock source. To disable the clock, refer to the following section, *Stopping an ADC Acquisition (CLOCK)*.

Stopping an ADC Acquisition (CLOCK)

Typical ways of halting an acquisition involve use of one of the following:

- Software
- External Gate (ADTRGIN)
- External Trigger (ADTRGIN)

ADC Software

The acquisition can be stopped by software control.

ADC External Gate

An ADC clock may also be “switched off” with the external trig/gate input (ADTRGIN). Refer to the section entitled *ADC External Gate* (on page 4-5) for additional information about this mode.

ADC External Trigger

The external gate/trig input (ADTRGIN) may also be used to stop an acquisition. In this mode, referred to as ABOUT Trigger Mode, the ADC is disabled after a certain number of conversions are performed following a trigger. The number of conversions may be anywhere from 1 to 65,536, which represents the number of post trigger conversions. Once triggered the ADC Conversion Counter immediately increments after each conversion until it reaches 0, whereupon ADC conversions are automatically disabled. If the timer is loaded with a value of -1 the ADC will be stopped after one valid clock. If this register is loaded with the value 0 the full count (65,536 conversions) will occur.

Note that the Software and External Gate modes described in the section entitled *Starting (Triggering) an ADC Acquisition* (page 4-5) are ignored, i.e., the trigger source is always external when in the ABOUT Trigger Mode.

If the External Trigger input is disabled, conversions are enabled as soon as the ADC is enabled and the next valid trigger will enable the internal counter to count conversions. If the External Trigger input is enabled, the first external trigger will start the conversions and the next valid trigger will enable the internal counter to count conversions.

ADC Clock and FIFO Errors

If the ADC is running in DMA operating modes the board will automatically interrupt if clock errors or FIFO overflows become active.

The DaqBoard/500 includes two DAC channels.

The clock source of the primary DAC0 channel may be any of the following:

- DAC0 Pacer Clock
- External Event (DACLKIN).

The clock source for the secondary DAC1 channel is limited to the following sources:

- DAC1 Pacer Clock
- Channel 0 Clock Source.

DAC Software Update

A single D/A conversion may be initiated by an asynchronous software update. The DAC will output the data sample for the selected DAC channel.

DAC Pacer Clocking

A series of DAC conversions may be controlled by the on-board pacer clock. This timer may be programmed to generate a periodic clock rate as high as 100 kHz or as slow as 4 samples per hour.

DAC External Event Clocking

Conversions may also be caused by an external event. DACLKIN is an edge sensitive input that can be programmed to cause conversions. The DACLKIN is selectable as either rising or falling edge sensitive.

DAC Maximum Clock Rate

The maximum rate which the DAC should be clocked and retain optimal accuracy is limited by the DAC chip itself. These limits may not be exceeded. If the pacer clock is run faster, some of the clock pulses will be ignored by the circuitry, and the clock error flag will set.

Digital Acquisition

The boards support 24 bits of LSTTL compatible digital I/O. All ports are terminated to +5 V with 4.7 K Ω pull-up resistors. The digital I/O ports operate with positive logic, in other words “0” represents TTL Low and “1” represents TTL High.

Digital Input/Output -- Ports A, B, and C

The 24 digital I/O signals from three 8-bit ports [A, B, and C] are available at the main 68-pin I/O connector. The port channel groupings are:

- **A0** through **A7**
- **B0** through **B7**
- **C0** through **C7**

For pin identities refer to the pinout in chapter 2.

Each of the three ports can be individually programmed as either an input or output.



Overview5-1
CE Standards and Directives 5-1
Safety Conditions5-2
Emissions/Immunity Conditions5-2

Overview

CE standards were developed by the European Union (EU) dating from 1985 and include specifications both for safety and for EMI emissions and immunity. Now, all affected products sold in EU countries must meet such standards. Although not required in the USA, these standards are considered good engineering practice since they enhance safety while reducing noise and ESD problems.

In contracted and in-house testing, most Daq products met the required specifications. Those products not originally in compliance were redesigned accordingly. In some cases, alternate product versions, shield plates, edge guards, special connectors, or add-on kits are required to meet CE compliance.



CE-compliant products bear the “CE” mark and include a *Declaration of Conformity* stating the particular specifications and conditions that apply. The test records and supporting documentation that validate the compliance are kept on file at the factory.

CE Standards and Directives

The electromagnetic compatibility (EMC) directives specify two basic requirements:

1. The device must not interfere with radio or telecommunications.
2. The device must be immune from electromagnetic interference from RF transmitters, etc.

The standards are published in the *Official Journal of European Union* under direction of CENELEC (European Committee for Electrotechnical Standardization). The specific standards relevant to Daq* equipment are listed on the product's Declaration of Conformity and include: CISPR22:1985; EN55022:1988 (Information Technology Equipment, Class A for commercial/industrial use); and EN50082-1:1992 for various categories of EMI immunity.

The safety standard that applies to Daq products is EN 61010-1 : 1993 (*Safety Requirements for Electrical Equipment for Measurement, Control, and Laboratory Use, Part 1: General Requirements*).

Environmental conditions include the following:

- indoor use
- altitude up to 2000 m
- temperature 5°C to 40°C (41°F to 104°F)
- maximum relative humidity 80% for temperatures up to 31°C (87.8°F) decreasing linearly to 50% relative humidity at 40°C (104°F)
- mains supply voltage fluctuations not to exceed $\pm 10\%$ of the nominal voltage
- other supply voltage fluctuations as stated by the manufacturer
- transient overvoltage according to installation categories (overvoltage categories) I, II and III
For mains supply, the minimum and normal category is II
- pollution degree I or II in accordance with IEC 664

For clarification, terms used in some Declarations of Conformity include:

- **pollution degree:** any addition of foreign matter, solid, liquid or gaseous (ionized gases) that may produce a reduction of dielectric strength or surface resistivity. **Pollution Degree I** has no influence on safety and implies: the equipment is at operating temperature with non-condensing humidity conditions; no conductive particles are permitted in the atmosphere; warm-up time is sufficient to avert any condensation or frost; no hazardous voltages are applied until completion of the warm-up period. **Pollution Degree II** implies the expectation of occasional condensation.
- **overvoltage (installation) category:** classification with limits for transient overvoltage, dependent on the nominal line voltage to earth. **Category I** implies signals without high transient values. **Category II** applies to typical mains power lines with some transients.

Safety Conditions

Users must comply with all relevant safety conditions in the user's manual and the Declarations of Conformity. This manual and Daq hardware make use of the following Warning and Caution symbols: If you see either of these symbols on a product, carefully read the related information and be alert to the possibility of personal injury.



This warning symbol is used in this manual or on the equipment to warn of possible injury or death from electrical shock under noted conditions.



This warning/caution symbol is used to warn of possible personal injury or equipment damage under noted conditions.



Take ESD precautions (packaging, proper handling, grounded wrist strap, etc.) Use care to avoid touching board surfaces and onboard components. Only handle boards by their edges (or ORBs, if applicable). Ensure boards do not come into contact with foreign elements such as oils, water, and industrial particulate.

Daq products contain no user-serviceable parts; refer all service to qualified personnel. The specific safety conditions for CE compliance vary by product; but general safety conditions include:

- The operator must observe all safety cautions and operating conditions specified in the documentation for all hardware used.
- The host computer and all connected equipment must be CE compliant.
- All power must be off to the device and externally connected equipment before internal access to the device is permitted.
- Isolation voltage ratings: do not exceed documented voltage limits for power and signal inputs. All wire insulation and terminal blocks in the system must be rated for the isolation voltage in use. Voltages above 30 Vrms or ± 60 VDC must not be applied if any condensation has formed on the device.
- Current and power use must not exceed specifications. Do not defeat fuses or other over-current protection.

Emissions/Immunity Conditions

The specific immunity conditions for CE compliance vary by product; but general immunity conditions include:

- Cables must be shielded, braid-type with metal-shelled connectors. Input terminal connections are to be made with shielded wire. The shield should be connected to the chassis ground with the hardware provided.
- The host computer must be properly grounded.
- In low-level analog applications, some inaccuracy is to be expected when I/O leads are exposed to RF fields or transients over 3 or 10 V/m as noted on the Declaration of Conformity.



A *digital calibration* method is used for both analog-to-digital and digital-to-analog conversions. Please contact the factory should you believe your board to be in need of calibration.

General

Function: High speed, 16 channel multiplexed 16 Bit Analog-to-Digital converter (ADC) with programmable gain, and 24 digital I/O lines for PC compatibles. DaqBoard/500 includes two Digital-to-Analog Converters (DAC0 and DAC1)

Board Configuration: Completely software configurable: Host PC sets all Bus-related selections. All data acquisition-related configuration is done by the user via software.

Analog Inputs

Number of Inputs: 16 Single-ended or 8 Differential programmable on per channel basis

Resolution: 155.070 μ V/bit on 0 to 10 V range

Acquisition Rate: 200 kHz max

A/D Full Scale Ranges: ± 10 V; 0 to 10 V

Programmable Gain: x1, x2, x4, x8

ADC Nonlinearity (Integral): ± 1 LSB

ADC Nonlinearity (Differential): ± 3 LSB, no missing codes

Input Ranges

	Range	Accuracy*	Settling Time
Bipolar	± 10 V	± 0.008 V	5 μ s
	± 5 V	± 0.006 V	5 μ s
	± 2.5 V	± 0.004 V	20 μ s
	± 1.25 V	± 0.0025 V	20 μ s
Unipolar	0 to 10 V	± 0.006 V	5 μ s
	0 to 5 V	± 0.004 V	5 μ s
	0 to 2.5 V	± 0.0025 V	20 μ s
	0 to 1.25 V	± 0.00125 V	20 μ s

*Accuracy 1 year, 18 to 28°C, excluding noise.

Gain Drift: ± 7 ppm/ °C

Zero Drift: ± 2 ppm/ °C

Note: Specifications subject to change without notice.

Signal to Noise and Distortion:	S/(N+D) 73 dB min. @ gain = 1
Total Harmonic Distortion:	80 dB (typical) @ gain = 1, measured to 5th harmonic
Full Power Bandwidth:	1 MHz
Input Impedance Shunt Res. to Ground:	10 M ohm
Shunt Capacitance:	28 pf
Overvoltage Protection:	±25 V
Acceptable Operating Limit:	Signal Plus Common Mode: ±12 V
Gain/Channel Selection:	176 element

Analog Input Triggering/Clocking

- Clock Sources:
- on-board programmable pacer
 - user defined external TTL

- External Clock Input Latency:
- 5us max

Trigger Sources

- software command
- External (TTL)
- software Analog as follows:
 - above level
 - below level
 - rising above level
 - falling below level
 - inside window
 - outside window

Stop Sources

- software command
- software Analog as follows:
 - above level
 - below level
 - rising above level
 - falling below level
 - inside window
 - outside window
 - scan count

- External TTL Trigger Latency:
- 5us max

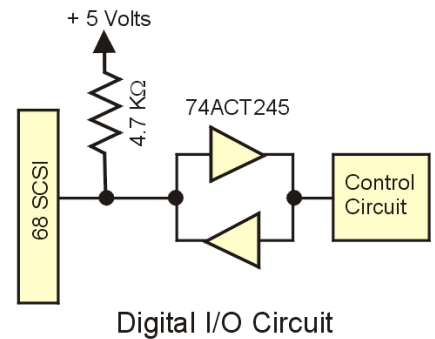
- Software Analog Trigger Latency
- One scan period max

Analog Outputs **DaqBoard/500 Only**

Channels	2; two clocked DACs designated as DAC0 and DAC1
Resolution:	16 bit
Output Voltage Ranges:	± 10 V, 0 to 10 V
Settling time to 0.006% of FSR:	10 μ sec for 20 V step
Differential Linearity:	± 0.25 LSB @ 25° guaranteed monotonic
Accuracy:	± 0.001 V
Data Storage:	Internal FIFO/PC Memory
Clock/Update Sources:	<ul style="list-style-type: none"> ○ Asynchronous ○ Internal Pacer ○ External TTL
Max update rate/channel	100khz
Waveform Triggering:	<ul style="list-style-type: none"> ○ Software Command ○ External Trigger TTL
Output Current:	± 5 mA

Digital Inputs / Outputs

Channels	24 accessible from main I/O connector
Ports	3x8-bit Ports
I/O Direction Select:	Software selectable per three 8-bit ports (Ports A,B, and C)
Input Level:	5.0V/3.3V CMOS/LSTTL compatible with 4.7 K ohm pull-up resistor
High Level Input Voltage:	2 V min.
Low Level Input Voltage:	0.8 V max.
High Level Output Voltage:	2.4 V
Low Level Output Voltage:	0.4 V
Maximum Output Current:	Low: 12 mA (sinking) High: 12 mA (sourcing)



Counter – 1 Counter designated as CNTR1

Channels	1
Pin Connections:	
SCSI-68	CNTR1 – Pin 1 or Pin 39; Shared with DACLKIN
TB-100 (Option)	Connector – CNT1 or XDPCR; Shared with DACLKIN
Input Delay:	100ns max
Max. Count	65536
Max. Input Frequency:	900 Khz max
Input Levels:	5 V CMOS/TTL with 4.7 K ohm pull-up resistor
High Level Input Voltage:	2 V min. (High level input voltage)
Low Level Input Voltage:	0.8 V max. (Low level input voltage)

Timers (Frequency Pulse Generators) – 2 Timers designated as TMR0 and TMR1

Channels	2
Pin Connections:	
TMR0	
SCSI-68	Pin 3; Shared with ADTRGOUT
TB-100 (Option)	Connector TMR0 (Shared with ADTRGOUT)
TMR1	
SCSI-68	Pin 37; Shared with ADCLKOUT
TB-100 (Option)	Connector TMR1 (Shared with ADCLKOUT)
Output Rates:	7.6 Hz to 500 Khz 50 % Duty Cycle Square Wave
Output Levels:	5 V CMOS/TTL with 4.7 K ohm pull-up resistor
High Level Output Voltage:	2.4 V
Low Level Output Voltage:	0.5 V
Maximum Output Current:	Low: 24 mA (sinking) High: 24 mA (sourcing)

Physical & Environmental

Size:	165 x 15x 108 mm (6.5 x 0.6 x 4.2 in.)
Connector:	68 pin standard "SCSI Type III" female connector
Operating Temperature:	32°F to 140°F (0 °C to 60 °C)
Vibration:	MIL STD 810E Category 1 and 10

Glossary

Acquisition	A collection of scans acquired at a specified rate as controlled by the sequencer.
Analog	A signal of varying voltage or current that communicates data.
Analog-to-Digital Converter (ADC)	A circuit or device that converts analog values into digital values, such as binary bits, for use in digital computer processing.
API	Application Program Interface. The interface program within the Daq system's driver that includes function calls specific to Daq hardware and can be used with user-written programs (several languages supported).
Bipolar	A range of analog signals with positive and negative values (e.g., -5 to +5 V); see <i>unipolar</i> .
Buffer	<p><i>Buffer</i> refers to a circuit or device that allows a signal to pass through it, while providing isolation, or another function, without altering the signal. <i>Buffer</i> usually refers to:</p> <ul style="list-style-type: none">(a) A device or circuit that allows for the temporary storage of data during data transfers. Such storage can compensate for differences in data flow rates. In a FIFO (First In - First Out) buffer, the data that is stored first is also the first data to leave the buffer.(b) A follower stage used to drive a number of gates without overloading the preceding stage.(c) An amplifier which accepts high source impedance input and results in low source impedance output (effectively, an impedance buffer).
Buffer Amplifier	An amplifier used primarily to match two different impedance points, and isolate one stage from a succeeding stage in order to prevent an undesirable interaction between the two stages. (Also see, <i>Buffer</i>).
Channel	<p>In reference to Daq devices, <i>channel</i> simply refers to a single <i>input</i>, or <i>output</i> entity.</p> <p>In a broader sense, an <i>input channel</i> is a signal path between the transducer at the point of measurement and the data acquisition system. A channel can go through various stages (buffers, multiplexers, or signal conditioning amplifiers and filters). Input channels are periodically sampled for readings.</p> <p>An <i>output channel</i> from a device can be digital or analog. Outputs can vary in a programmed way in response to an input channel signal.</p>
Common mode	Common mode pertains to signals that are identical in amplitude and duration; also can be used in reference to signal components.
Common mode voltage	Common mode voltage refers to a voltage magnitude (referenced to a common point) that is shared by two or more signals. <i>Example</i> : referenced to common, Signal 1 is +5 VDC and Signal 2 is +6 VDC. The common mode voltage for the two signals is +5.5 VDC $[(5 + 6)/2]$.
Crosstalk	An undesired transfer of signals between systems or system components. Crosstalk causes signal interference, more commonly referred to as <i>noise</i> .
Digital	A digital signal is one of discrete value, in contrast to a varying signal. Combinations of binary digits (0s and 1s) represent digital data.
Digital-to-Analog Converter (DAC)	A circuit or device that converts digital values (binary bits), into analog signals.
DIP switch	A DIP switch is a group of miniature switches in a small <i>Dual In-line Package</i> (DIP). Typically, users set these switches to configure their particular application.
Differential mode	The differential mode measures a voltage between 2 signal lines for a single channel. (Also see <i>single-ended mode</i>).

Differential mode voltage	<p>Differential mode voltage refers to a voltage difference between two signals that are referenced to a common point. Example: Signal 1 is +5 VDC referenced to common. Signal 2 is +6 VDC referenced to common.</p> <p>If the +5 VDC signal is used as the reference, the differential mode voltage is +1 VDC (+ 6 VDC - +5 VDC = +1 VDC).</p> <p>If the +6 VDC signal is used as the reference, the differential mode voltage is -1 VDC (+ 5 VDC - +6 VDC = -1 VDC).</p>
ESD	Electrostatic discharge (ESD) is the transfer of an electrostatic charge between bodies having different electrostatic potentials. This transfer occurs during direct contact of the bodies, or when induced by an electrostatic field. ESD energy can damage an integrated circuit (IC).
Excitation	Some transducers [e.g. strain gages, thermistors, and resistance temperature detectors (RTDs)] require a known voltage or current. Typically, the variation of this signal through the transducer corresponds to the condition measured.
Gain	The degree to which an input signal is amplified (or attenuated) to allow greater accuracy and resolution; can be expressed as $\times n$ or $\pm \text{dB}$.
Isolation	<p>The arrangement or operation of a circuit so that signals from another circuit or device do not affect the <i>isolated</i> circuit.</p> <p>In reference to Daq devices, <i>isolation</i> usually refers to a separation of the direct link between the signal source and the analog-to-digital converter (ADC). Isolation is necessary when measuring high common-mode voltage.</p>
Linearization	Some transducers produce a voltage in linear proportion to the condition measured. Other transducers (e.g., thermocouples) have a nonlinear response. To convert nonlinear signals into accurate readings requires software to calibrate several points in the range used and then interpolate values between these points.
Multiplexer (MUX)	A device that collects signals from several inputs and outputs them on a single channel.
Sample (reading)	The value of a signal on a channel at an instant in time. When triggered, the ADC reads the channel and converts the sampled value into a 12- or 16-bit value.
Scan	A series of measurements across a pre-selected sequence of channels.
Sequencer	A programmable device that manages channels and channel-specific settings.
Simultaneous Sample-and-Hold	An operation that gathers samples from multiple channels at the same instant and holds these values until all are sequentially converted to digital values.
Single-ended mode	The single-ended mode measures a voltage between a signal line and a common reference that may be shared with other channels. (Also see <i>differential mode</i>).
Trigger	An event to start a scan or mark an instant during an acquisition. The event can be defined in various ways; e.g., a TTL signal, a specified voltage level in a monitored channel, a button manually or mechanically engaged, a software command, etc. Some applications may use pre- and post-triggers to gather data around an instant or based on signal counts.
TTL	Transistor-Transistor Logic (TTL) is a circuit in which a multiple-emitter transistor has replaced the multiple diode cluster (of the diode-transistor logic circuit); typically used to communicate logic signals at 5 V.
Unipolar	A range of analog signals that is always zero or positive (e.g., 0 to 10 V). Evaluating a signal in the right range (unipolar or bipolar) allows greater resolution by using the full-range of the corresponding digital value. See <i>bipolar</i> .

Notes:

Notes:

WARRANTY/DISCLAIMER

OMEGA ENGINEERING, INC. warrants this unit to be free of defects in materials and workmanship for a period of **13 months** from date of purchase. OMEGA's WARRANTY adds an additional one (1) month grace period to the normal **one (1) year product warranty** to cover handling and shipping time. This ensures that OMEGA's customers receive maximum coverage on each product.

If the unit malfunctions, it must be returned to the factory for evaluation. OMEGA's Customer Service Department will issue an Authorized Return (AR) number immediately upon phone or written request. Upon examination by OMEGA, if the unit is found to be defective, it will be repaired or replaced at no charge. OMEGA's WARRANTY does not apply to defects resulting from any action of the purchaser, including but not limited to mishandling, improper interfacing, operation outside of design limits, improper repair, or unauthorized modification. This WARRANTY is VOID if the unit shows evidence of having been tampered with or shows evidence of having been damaged as a result of excessive corrosion; or current, heat, moisture or vibration; improper specification; misapplication; misuse or other operating conditions outside of OMEGA's control. Components in which wear is not warranted, include but are not limited to contact points, fuses, and triacs.

OMEGA is pleased to offer suggestions on the use of its various products. However, OMEGA neither assumes responsibility for any omissions or errors nor assumes liability for any damages that result from the use of its products in accordance with information provided by OMEGA, either verbal or written. OMEGA warrants only that the parts manufactured by the company will be as specified and free of defects. OMEGA MAKES NO OTHER WARRANTIES OR REPRESENTATIONS OF ANY KIND WHATSOEVER, EXPRESSED OR IMPLIED, EXCEPT THAT OF TITLE, AND ALL IMPLIED WARRANTIES INCLUDING ANY WARRANTY OF MERCHANTABILITY AND FITNESS FOR A PARTICULAR PURPOSE ARE HEREBY DISCLAIMED. LIMITATION OF LIABILITY: The remedies of purchaser set forth herein are exclusive, and the total liability of OMEGA with respect to this order, whether based on contract, warranty, negligence, indemnification, strict liability or otherwise, shall not exceed the purchase price of the component upon which liability is based. In no event shall OMEGA be liable for consequential, incidental or special damages.

CONDITIONS: Equipment sold by OMEGA is not intended to be used, nor shall it be used: (1) as a "Basic Component" under 10 CFR 21 (NRC), used in or with any nuclear installation or activity; or (2) in medical applications or used on humans. Should any Product(s) be used in or with any nuclear installation or activity, medical application, used on humans, or misused in any way, OMEGA assumes no responsibility as set forth in our basic WARRANTY/DISCLAIMER language, and, additionally, purchaser will indemnify OMEGA and hold OMEGA harmless from any liability or damage whatsoever arising out of the use of the Product(s) in such a manner.

RETURN REQUESTS/INQUIRIES

Direct all warranty and repair requests/inquiries to the OMEGA Customer Service Department. BEFORE RETURNING ANY PRODUCT(S) TO OMEGA, PURCHASER MUST OBTAIN AN AUTHORIZED RETURN (AR) NUMBER FROM OMEGA'S CUSTOMER SERVICE DEPARTMENT (IN ORDER TO AVOID PROCESSING DELAYS). The assigned AR number should then be marked on the outside of the return package and on any correspondence.

The purchaser is responsible for shipping charges, freight, insurance and proper packaging to prevent breakage in transit.

FOR **WARRANTY** RETURNS, please have the following information available BEFORE contacting OMEGA:

1. Purchase Order number under which the product was PURCHASED,
2. Model and serial number of the product under warranty, and
3. Repair instructions and/or specific problems relative to the product.

FOR **NON-WARRANTY** REPAIRS, consult OMEGA for current repair charges. Have the following information available BEFORE contacting OMEGA:

1. Purchase Order number to cover the COST of the repair,
2. Model and serial number of the product, and
3. Repair instructions and/or specific problems relative to the product.

OMEGA's policy is to make running changes, not model changes, whenever an improvement is possible. This affords our customers the latest in technology and engineering.

OMEGA is a registered trademark of OMEGA ENGINEERING, INC.

© Copyright 2005 OMEGA ENGINEERING, INC. All rights reserved. This document may not be copied, photocopied, reproduced, translated, or reduced to any electronic medium or machine-readable form, in whole or in part, without the prior written consent of OMEGA ENGINEERING, INC.

Where Do I Find Everything I Need for Process Measurement and Control? **OMEGA...Of Course!** *Shop online at omega.com*

TEMPERATURE

- ☑ Thermocouple, RTD & Thermistor Probes, Connectors, Panels & Assemblies
- ☑ Wire: Thermocouple, RTD & Thermistor
- ☑ Calibrators & Ice Point References
- ☑ Recorders, Controllers & Process Monitors
- ☑ Infrared Pyrometers

PRESSURE, STRAIN AND FORCE

- ☑ Transducers & Strain Gages
- ☑ Load Cells & Pressure Gages
- ☑ Displacement Transducers
- ☑ Instrumentation & Accessories

FLOW/LEVEL

- ☑ Rotameters, Gas Mass Flowmeters & Flow Computers
- ☑ Air Velocity Indicators
- ☑ Turbine/Paddlewheel Systems
- ☑ Totalizers & Batch Controllers

pH/CONDUCTIVITY

- ☑ pH Electrodes, Testers & Accessories
- ☑ Benchtop/Laboratory Meters
- ☑ Controllers, Calibrators, Simulators & Pumps
- ☑ Industrial pH & Conductivity Equipment

DATA ACQUISITION

- ☑ Data Acquisition & Engineering Software
- ☑ Communications-Based Acquisition Systems
- ☑ Plug-in Cards for Apple, IBM & Compatibles
- ☑ Datalogging Systems
- ☑ Recorders, Printers & Plotters

HEATERS

- ☑ Heating Cable
- ☑ Cartridge & Strip Heaters
- ☑ Immersion & Band Heaters
- ☑ Flexible Heaters
- ☑ Laboratory Heaters

ENVIRONMENTAL MONITORING AND CONTROL

- ☑ Metering & Control Instrumentation
- ☑ Refractometers
- ☑ Pumps & Tubing
- ☑ Air, Soil & Water Monitors
- ☑ Industrial Water & Wastewater Treatment
- ☑ pH, Conductivity & Dissolved Oxygen Instruments



M4261/1106

Free Manuals Download Website

<http://myh66.com>

<http://usermanuals.us>

<http://www.somanuals.com>

<http://www.4manuals.cc>

<http://www.manual-lib.com>

<http://www.404manual.com>

<http://www.luxmanual.com>

<http://aubethermostatmanual.com>

Golf course search by state

<http://golfingnear.com>

Email search by domain

<http://emailbydomain.com>

Auto manuals search

<http://auto.somanuals.com>

TV manuals search

<http://tv.somanuals.com>