

Where Do I Find Everything I Need for Process Measurement and Control? **OMEGA...Of Course!**

Shop online at www.omega.com

TEMPERATURE

- Thermocouple, RTD & Thermistor Probes, Connectors, Panels & Assemblies
- Wire: Thermocouple, RTD & Thermistor
- Calibrators & Ice Point References
- Recorders, Controllers & Process Monitors
- Infrared Pyrometers

PRESSURE, STRAIN AND FORCE

- Transducers & Strain Gages
- Load Cells & Pressure Gages
- Displacement Transducers
- Instrumentation & Accessories

FLOW/LEVEL

- Rotameters, Gas Mass Flowmeters & Flow Computers
- Air Velocity Indicators
- Turbine/Paddlewheel Systems
- Totalizers & Batch Controllers

pH/CONDUCTIVITY

- pH Electrodes, Testers & Accessories
- Benchtop/Laboratory Meters
- Controllers, Calibrators, Simulators & Pumps
- Industrial pH & Conductivity Equipment

DATA ACQUISITION

- Data Acquisition & Engineering Software
- Communications-Based Acquisition Systems
- Plug-in Cards for Apple, IBM & Compatibles
- Datalogging Systems
- Recorders, Printers & Plotters

HEATERS

- Heating Cable
- Cartridge & Strip Heaters
- Immersion & Band Heaters
- Flexible Heaters
- Laboratory Heaters

ENVIRONMENTAL MONITORING AND CONTROL

- Metering & Control Instrumentation
- Refractometers
- Pumps & Tubing
- Air, Soil & Water Monitors
- Industrial Water & Wastewater Treatment
- pH, Conductivity & Dissolved Oxygen Instruments

Four Zone Temperature Monitor and Alarm

Models:

OMA-VM520

OMA-VM520-DCP



Manual and Installation Instructions

User's Guide

Shop online at

omega.com[®]

Ω OMEGA

omega.com

*e-mail: info@omega.com
For latest product manuals:
omegamanual.info*



M4548-0607

OMEGAnet® Online Service
www.omega.com

Internet e-mail
info@omega.com

Servicing North America:

USA: One Omega Drive, Box 4047
Stamford CT 06907-0047
Tel: (203) 359-1660 FAX: (203) 359-7700
ISO 9001 Certified e-mail: info@omega.com

Canada: 976 Bergar
Laval (Quebec) H7L 5A1
Tel: (514) 856-6928 FAX: (514) 856-6886
e-mail: info@omega.ca

For immediate technical or application assistance:

USA and Canada: Sales Service: 1-800-826-6342 / 1-800-TC-OMEGA®
Customer Service: 1-800-622-2378 / 1-800-622-BEST®
Engineering Service: 1-800-872-9436 / 1-800-USA-WHEN®
TELEX: 996404 EASYLINK: 62968934 CABLE: OMEGA

Mexico: En Español: (001) 203-359-7803 e-mail: espanol@omega.com
FAX: (001) 203-359-7807 info@omega.com.mx

Servicing Europe:

Benelux: Postbus 8034, 1180 LA Amstelveen, The Netherlands
Tel: +31 (0)20 3472121 FAX: +31 (0)20 6434643
Toll Free in Benelux: 0800 0993344
e-mail: sales@omegaeng.nl

Czech Republic: Rudé armády 1868, 733 01 Karviná 8
Tel: +420 (0)69 6311899 FAX: +420 (0)69 6311114
Toll Free: 0800-1-66342 e-mail: czech@omega.com

France: 9, rue Denis Papin, 78190 Trappes
Tel: +33 (0)130 621 400 FAX: +33 (0)130 699 120
Toll Free in France: 0800-4-06342
e-mail: sales@omega.fr

Germany/Austria: Daimlerstrasse 26, D-75392 Deckenpfronn, Germany
Tel: +49 (0)7056 9398-0 FAX: +49 (0)7056 9398-29
Toll Free in Germany: 0800 639 7678
e-mail: info@omega.dl

United Kingdom: One Omega Drive, River Bend Technology Centre
ISO 9002 Certified Northbank, Irlam, Manchester
M44 5BD United Kingdom
Tel: +44 (0)161 777 6611 FAX: +44 (0)161 777 6622
Toll Free in United Kingdom: 0800-488-488
e-mail: sales@omega.co.uk

It is the policy of OMEGA to comply with all worldwide safety and EMC/EMI regulations that apply. OMEGA is constantly pursuing certification of its products to the European New Approach Directives. OMEGA will add the CE mark to every appropriate device upon certification.

The information contained in this document is believed to be correct, but OMEGA Engineering, Inc. accepts no liability for any errors it contains, and reserves the right to alter specifications without notice.

WARNING: These products are not designed for use in, and should not be used for, patient-connected applications.

OMEGA ENGINEERING, INC. warrants this unit to be free of defects in materials and workmanship for a period of **13 months** from date of purchase. OMEGA's WARRANTY adds an additional one (1) month grace period to the normal **one (1) year product warranty** to cover handling and shipping time. This ensures that OMEGA's customers receive maximum coverage on each product.

If the unit malfunctions, it must be returned to the factory for evaluation. OMEGA's Customer Service Department will issue an Authorized Return (AR) number immediately upon phone or written request. Upon examination by OMEGA, if the unit is found to be defective, it will be repaired or replaced at no charge. OMEGA's WARRANTY does not apply to defects resulting from any action of the purchaser, including but not limited to mishandling, improper interfacing, operation outside of design limits, improper repair, or unauthorized modification. This WARRANTY is VOID if the unit shows evidence of having been tampered with or shows evidence of having been damaged as a result of excessive corrosion; or current, heat, moisture or vibration; improper specification; misapplication; misuse or other operating conditions outside of OMEGA's control. Components in which wear is not warranted, include but are not limited to contact points, fuses, and triacs.

OMEGA is pleased to offer suggestions on the use of its various products. However, OMEGA neither assumes responsibility for any omissions or errors nor assumes liability for any damages that result from the use of its products in accordance with information provided by OMEGA, either verbal or written. OMEGA warrants only that the parts manufactured by the company will be as specified and free of defects. OMEGA MAKES NO OTHER WARRANTIES OR REPRESENTATIONS OF ANY KIND WHATSOEVER, EXPRESSED OR IMPLIED, EXCEPT THAT OF TITLE, AND ALL IMPLIED WARRANTIES INCLUDING ANY WARRANTY OF MERCHANTABILITY AND FITNESS FOR A PARTICULAR PURPOSE ARE HEREBY DISCLAIMED. LIMITATION OF LIABILITY: The remedies of purchaser set forth herein are exclusive, and the total liability of OMEGA with respect to this order, whether based on contract, warranty, negligence, indemnification, strict liability or otherwise, shall not exceed the purchase price of the component upon which liability is based. In no event shall OMEGA be liable for consequential, incidental or special damages.

CONDITIONS: Equipment sold by OMEGA is not intended to be used, nor shall it be used: (1) as a "Basic Component" under 10 CFR 21 (NRC), used in or with any nuclear installation or activity; or (2) in medical applications or used on humans. Should any Product(s) be used in or with any nuclear installation or activity, medical application, used on humans, or misused in any way, OMEGA assumes no responsibility as set forth in our basic WARRANTY/DISCLAIMER language, and, additionally, purchaser will indemnify OMEGA and hold OMEGA harmless from any liability or damage whatsoever arising out of the use of the Product(s) in such a manner.

RETURN REQUESTS/INQUIRIES

Direct all warranty and repair requests/inquiries to the OMEGA Customer Service Department. BEFORE RETURNING ANY PRODUCT(S) TO OMEGA, PURCHASER MUST OBTAIN AN AUTHORIZED RETURN (AR) NUMBER FROM OMEGA'S CUSTOMER SERVICE DEPARTMENT (IN ORDER TO AVOID PROCESSING DELAYS). The assigned AR number should then be marked on the outside of the return package and on any correspondence.

The purchaser is responsible for shipping charges, freight, insurance and proper packaging to prevent breakage in transit.

FOR **WARRANTY** RETURNS, please have the following information available BEFORE contacting OMEGA:

1. Purchase Order number under which the product was PURCHASED,
2. Model and serial number of the product under warranty, and
3. Repair instructions and/or specific problems relative to the product.

FOR **NON-WARRANTY** REPAIRS, consult OMEGA for current repair charges. Have the following information available BEFORE contacting OMEGA:

1. Purchase Order number to cover the COST of the repair,
2. Model and serial number of the product, and
3. Repair instructions and/or specific problems relative to the product.

OMEGA's policy is to make running changes, not model changes, whenever an improvement is possible. This affords our customers the latest in technology and engineering.

OMEGA is a registered trademark of OMEGA ENGINEERING, INC.

© Copyright 2005 OMEGA ENGINEERING, INC. All rights reserved. This document may not be copied, photocopied, reproduced, translated, or reduced to any electronic medium or machine-readable form, in whole or in part, without the prior written consent of OMEGA ENGINEERING, INC.

http://{Device IP Address}/ltx_conf.html

Click on the "Server Properties" button.

Enter the Subnet Mask and/or Gateway Address and click "Update Settings"

Be sure to enter the correct Subnet Mask and Gateway Address for the network the OMA-V520-DCP is on.

If the status web page does not display/load correctly (DCP units)

Verify that you have the latest version of Java loaded on your computer.

Go to www.Java.com to download the latest version.

FCC PART 68 INFORMATION

This equipment complies with Part 68 of the FCC Rules. The FCC Part 68 Label is located on the bottom of the unit. This label contains the FCC Registration Number and Ringer Equivalence Number (REN) for this equipment. If requested, this information must be provided to your telephone company.

The REN is useful to determine the quantity of devices you may connect to your telephone line and still have all of those device ring when your telephone number is called. In most, but not all areas, the sum of the RENs of all devices connected to one line should not exceed five (5.0). To be certain of the number of devices you may connect to your line, as determined by the REN, you should contact your local telephone company to determine the maximum REN for your calling area.

Connection to the telephone network should be made by using standard modular telephone jacks, type RJ11. The plug and/or jacks used must comply with FCC Part 68 rules. If this telephone equipment causes harm to the telephone network, the telephone company will notify you in advance that temporary discontinuance of service may be required. But if advance notice isn't practical, the telephone company will notify the customer as soon as possible. Also, you will be advised of your right to file a complaint with the FCC if you believe it is necessary.

The telephone company may make changes in its facilities, equipment, operations or procedures that could affect the proper functioning of your equipment. If they do, you will be notified in advance in order for you to make necessary modifications to maintain uninterrupted service.

This equipment may not be used on coin service provided by the telephone company. Connection to party lines is subject to tariffs.

If trouble is experienced with this unit, for repair or warranty information, please contact customer service at the address and phone listed below. If the equipment is causing harm to the network, the telephone company may request that you disconnect the equipment until the problem is resolved.

DO NOT DISASSEMBLE THIS EQUIPMENT. It does not contain any user serviceable components.

General Description

The Four Zone Temperature Monitor and Alarm is a complete temperature monitor and alarm system with integrated autodialer.

The Four Zone Temperature Monitor and Alarm monitors up to four (4) K-type thermocouple temperature sensors, one (1) dry contact alarm input, and power.

The Four Zone Temperature Monitor and Alarm has programmable high and low temperature limits and an alarm time delay for each sensor. An identification message can be recorded for each sensor, indicating where the sensor is located to allow a quick response to a problem. The Four Zone Temperature Monitor and Alarm has numerous options that allow it to be configured for any application.

The Four Zone Temperature Monitor and Alarm can monitor any switch, relay, or dry contact with its dedicated dry contact input. A time delay can be programmed, enabling a contact to be closed a maximum amount of time before the buzzer is activated and the Four Zone Temperature Monitor and Alarm begins its alarm procedures.

The Four Zone Temperature Monitor and Alarm will turn on the alarm relay and buzzer and begin making emergency notification calls when the temperature of any sensor is out of limits for greater than the alarm time delay or if the dry contact input is active.

The Ethernet Data Collection Package version (VM520-DCP) allows you to collect data across your LAN and store readings on PC. Also, alert emails can be sent out to alert staff to temperature issues. A built-in web server allows you to use a simple web browser to check the temperatures by entering the IP address of the device into a web browser.

Model Details:

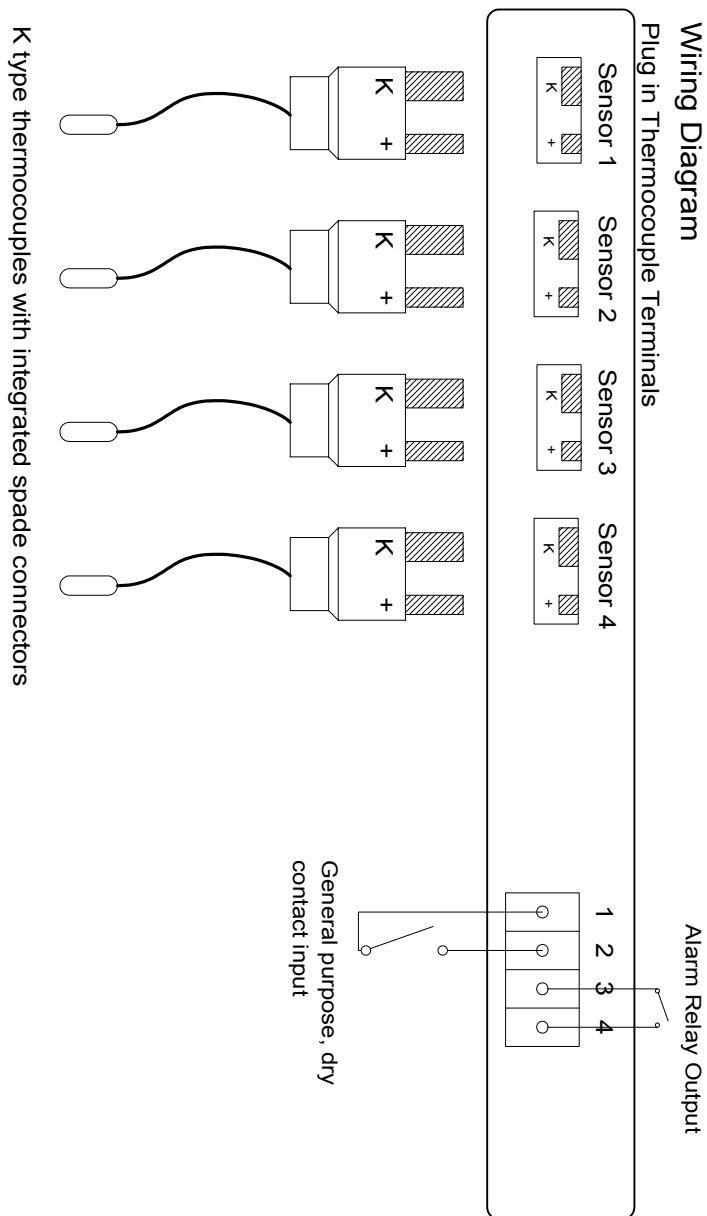
Model: OMA-VM520, OMA-VM520-DCP

Maximum Temperature Sensor Range: 0°C to 1000°C

Measurement resolution: 1°

Sensor Type: K-Type Thermocouple

Connection Type: Miniature thermocouple connectors



8 Watch the display and note any messages present.

If the Four Zone Temperature Monitor and Alarm does not answer the phone

Verify that the phone line is a standard analog telephone line. Digital phone lines are not compatible with the Four Zone Temperature Monitor and Alarm. Verify that the phone line is working. Connect a standard phone to the line intended for the Four Zone Temperature Monitor and Alarm. Verify that there is a dial tone.

Check that the phone line is plugged in securely. Verify that the Four Zone Temperature Monitor and Alarm is powered up and some data is being displayed on the display.

If the Four Zone Temperature Monitor and Alarm does not call out

Perform the telephone communication verification procedure. Connect a phone to the line intended for the Four Zone Temperature Monitor and Alarm. Verify that there is a dial tone.

Check that the phone line is plugged in securely. Verify that the Four Zone Temperature Monitor and Alarm is powered up and the status light is blinking. Verify that the Four Zone Temperature Monitor and Alarm is programmed correctly. Call up the Four Zone Temperature Monitor and Alarm and verify the programmed phone numbers and limits.

Optional 20 / 30 Hour Extended Batteries

If your unit has been ordered with an extended battery, it is installed at the factory and is inside the OMA-VM520.

Standard 4 hour / 20 / 30 Hour Batteries

The rechargeable batteries used in the Four Zone Temperature Monitor are trickle charged and can take up to a week to reach full capacity. The batteries are charging whenever the monitor is powered on.

Verifying Network Connectivity (DCP units)

When first plugging in the unit or connecting the LAN cable, the LEDs on the Ethernet jack will begin to blink first orange and then green. When fully powered up the left LED will be on steady green and the right LED will blink green.

| Link LED (Left Side) | | Activity LED (Right Side) | |
|----------------------|----------|---------------------------|-------------|
| Color | Meaning | Color | Meaning |
| Off | No Link | Off | No Activity |
| Amber | 10 Mbps | Amber | Half-Duplex |
| Green | 100 Mbps | Green | Full-Duplex |

Accessing advanced network setup

To set either the Subnet Mask or Gateway Address of the device, access the advanced network setup by entering:

Temperature Monitor and Alarm will repeat the warning message. This warning message can be repeated up to 2 times by changing the programmed value. See the **Programming Repeat Warning Messages** section.

If the correct PIN number is not entered the Four Zone Temperature Monitor and Alarm will call the next programmed contact telephone number.

If the Four Zone Temperature Monitor and Alarm has called all programmed contact numbers without having the correct PIN number entered, it will wait 20 minutes and repeat the sequence until the alarm condition goes away or the Four Zone Temperature Monitor and Alarm receives confirmation either locally or remotely.

How can I connect the Four Zone Temperature Monitor and Alarm to a Phone Line which has a fax or answering machine connected to it?

Program the Four Zone Temperature Monitor and Alarm to answer after one more ring than the other device. This allows the other device to always answer first. To call and access the Four Zone Temperature Monitor and Alarm

1. Dial the phone number
2. Hang up one ring before the other device answers.
3. Wait no longer than 30 seconds, then dial the phone number again.
4. The Four Zone Temperature Monitor and Alarm will answer.

For Example:

A fax machine on the same line as the Four Zone Temperature Monitor and Alarm is set to answer after 4 rings. The Four Zone Temperature Monitor and Alarm is programmed to answer after 5 rings. To access the Four Zone Temperature Monitor and Alarm, dial the number, let it ring three times, then hang up. Wait 20 seconds and call again. After two rings, the Four Zone Temperature Monitor and Alarm will answer.

Troubleshooting

Verifying telephone communication

To verify telephone communications, perform the following test.

- 1 Using another phone line, call the Four Zone Temperature Monitor and Alarm and verify that it answers the phone.
- 2 Verify at least one programmed telephone number.
- 3 Hang up.
- 4 Call the Four Zone Temperature Monitor and Alarm again.
- 5 Enter #999 for the PIN.
- 6 Hang up.
- 7 The Four Zone Temperature Monitor and Alarm will perform a test call to your programmed telephone number's.
 - ▶ Do not enter your PIN if you would like the Four Zone Temperature Monitor and Alarm to continue calling any remaining programmed telephone numbers.

Installing the Four Zone Temperature Monitor and Alarm

- Select a location with access to 120 VAC power, an analog telephone line, and a network drop (DCP models).
- Mount the Four Zone Temperature Monitor and Alarm to the wall.
- Connect the phone line to an active **analog** telephone jack.
A surge suppresser must be used for the phone line.
- Connect the RJ45 patch cord to an active network drop and into the LAN jack. (DCP models)
- Plug the power jack into the **POWER INPUT** before plugging the power pack into a wall outlet.
A surge suppresser must also be used for the power line.
- **Connect Sensors and Inputs**
Temperature Sensors must be installed before turning on the unit.
- Turn on the Four Zone Temperature Monitor and Alarm by moving the power switch to the left of the terminal blocks to the "1" position.

Getting Started with OMA-VM520-DCP (optional data logging package)

- Download and install the DCP software from:
<http://www.Omega.com>
- **Set the IP address of your Four Zone Temperature Monitor and Alarm**
Run the IP Setup program.
Click on the red button to find all of the Four Zone Temperature Monitor and Alarm devices on your network. A list of their IP address' are displayed. Click on the IP address of the Four Zone Temperature Monitor and Alarm device which you are setting with a new IP address. The selected IP address will turn yellow.
Type in a free and **valid** static IP address (contact your IT Administrator for assistance.)
Click on the green button to set the selected Four Zone Temperature Monitor and Alarm's current IP address to the new static IP address. You will be prompted to confirm this change. Click OK to proceed. This process will take approximately 2 minutes.
The program will once again find all of the Four Zone Temperature Monitor and Alarms on your network. Please verify that the IP address has been changed. If not repeat the above procedure.
See the Troubleshooting section for assistance with network issues.
- **Collect data from your Four Zone Temperature Monitor and Alarm**
Please see the Data Capture Manual for detailed instructions on using the Data Capture Program.

Accessing the Four Zone Temperature Monitor over the phone

- 1 From another phone line call the Four Zone Temperature Monitor and Alarm. The device will pick up after the programmed number of rings (Default is 1).
- 2 To access all functions, enter the 4-digit "Full Access" PIN. (Factory default is 0000). To access only the "Acknowledge Only" functions, enter the 4-digit "Acknowledge Only" PIN 1234.
The "Acknowledge Only" functions are:
 - A) Confirming Alarm Conditions Remotely
 - B) Checking Sensor Inputs Remotely
- 3 You will hear the Main Menu options:

| Main Menu | |
|-----------|--|
| Option | Function |
| 1 | Status |
| 2 | Set Limits |
| 3 | Program |
| # | <i>Repeat Warning message (if any input is in alarm condition)</i> |
| 0 | Exit (Hang Up the phone) |

NOT SPOKEN MENU ITEM

Programming Temperature Sensor Parameters

Each temperature sensor has four (4) programmable parameters as well as a programmable temperature correction.

Sensor Identification Message. The Sensor ID message will be played when the Four Zone Temperature Monitor and Alarm is reporting the status of that Sensor.

Sensor Low and High Temperature limits. The low and high temperature limit values are programmed in degrees. When a sensor's temperature exceeds either the high or low limit for longer than the programmed callout time delay, that sensor will be in alarm condition. For OMA-VM520-DCP units this value can also be programmed using the Data Capture Software.

Sensor callout time delay. A sensor's temperature must be out of limits for greater than the callout delay time for the sensor to be in alarm condition. For VM520-DCP units this value can also be programmed using the Data Capture Software.

Frequently Asked Questions

When does the Four Zone Temperature Monitor and Alarm callout?

The Four Zone Temperature Monitor and Alarm will callout when any sensor/input is in an alarm condition and has not been confirmed.

When an alarm condition first occurs, the Four Zone Temperature Monitor and Alarm turns on the alarm relay and buzzer, and then waits two minutes to allow local personnel time to react to the alarm.

When is a sensor/input in alarm condition?

When a temperature sensor has been out of limits for greater than the programmed time delay.

When a temperature sensor opens or shorts after having been connected.
When a door sensor has been open longer than the programmed time delay.

When the power has been out for greater than five minutes.

What happens when the Four Zone Temperature Monitor and Alarm calls?

- 1 The Four Zone Temperature Monitor and Alarm will dial the contact number exactly as it was programmed.
 - ▶ If the contact number was programmed as a pager number (* is the first digit). The Four Zone Temperature Monitor and Alarm will dial all digits following the *.
- 2 The Four Zone Temperature Monitor and Alarm will wait for a person or voice mail system to answer the call.
- 3 The Four Zone Temperature Monitor and Alarm will beep while it waits for a person to stop speaking or the voice mail system's outgoing message to stop.
- 4 For voice contact numbers, the Four Zone Temperature Monitor and Alarm will play the recorded personal identification message.
For pager contact numbers, the Four Zone Temperature Monitor and Alarm will print the Local Identification number on the pager screen.
The Four Zone Temperature Monitor and Alarm will then hang up and call the next programmed contact number.
- 5 The Four Zone Temperature Monitor and Alarm will report any alarm conditions (i.e. "Warning, Sensor 2, *sensor 2 recorded message*", *is 89 degrees and has been out of limits for, x hours and y minutes*).
- 6 The Four Zone Temperature Monitor and Alarm will ask for the PIN number.

Once the PIN number has been entered, the Four Zone Temperature Monitor and Alarm will not call again because the current alarm condition has been acknowledged, unless the alarm still exists and the reminder call has been enabled.

If the correct PIN number is not entered within 4 seconds the Four Zone

Sensor Reading After Callouts

If the Four Zone Temperature Monitor has called all programmed telephone numbers and not made contact it will wait 20 minutes before attempting to callout again. Periodically, the time before callouts resume will be displayed.

| | |
|--------------------|--------------|
| 1: 510 > | CALL- |
| 2: 200 | OUTS |
| 3: | IN |
| 4: | 17:25 |

Programming Sensor Parameters

1. Accessing the Sensor Configuration

- From the Main Menu, press 2 to Set Limits
 - The "Full Access" PIN will be requested if the "Acknowledge Only" PIN was entered initially. If the correct "Full Access" PIN is not entered, the Four Zone Temperature Monitor and Alarm will hang up.
- You will hear "Enter Sensor Number"
- Enter the sensor you want to program (1-4)
 - To return to the Main Menu press 0
- Proceed to Step 2.a.

2. Programming the Sensor ID message

- You will hear "Sensor x message is"
- You will hear "Press 1 to change"
- Press 1 to change the message
 - Press 2 to skip and proceed to step 3.a or press 0 to stop programming this sensor and return to step 1.b
- You will hear a tone



TIP Record something specific that will allow the people receiving the

alarm calls to understand where the problem is.

- Begin speaking after the tone. The Four Zone Temperature Monitor and Alarm will record for about 3 1/2 seconds
- After 3 1/2 seconds you will hear the tone again, marking the end of your message
- You will hear the message you recorded
- Proceed to step 3.a

3. Programming the Lower and Upper Temperature Limits

- You will hear "Sensor x lower limit is" and the current low temperature limit for that sensor (i.e. 35°)
- You will hear "Press 1 to change"
- Press 1 to change the limit
 - Press 2 to skip and proceed to step 3.g or press 0 to stop programming this sensor and return to step 1.b
- You will hear "Enter number then press pound"
- Enter the value then press #.
 - Use * to program a negative number (i.e. *20 = -20°)
 - Acceptable range is -999 to 999
- You will hear the value you just entered (i.e. 39°)
- You will hear "Sensor x upper limit is" and the current high temperature limit for the selected sensor (i.e. 60°)
- You will hear "Press 1 to change"
- Press 1 to change the limit
 - Press 2 to skip and proceed to step 3.g or press 0 to stop program-

- ming this sensor and return to step 1.b
- j) You will hear "Enter number then press pound"
- k) Enter the value then press #.
 - ▶ Use * to program a negative number (i.e. *20 = -20°)
 - ▶ Acceptable range is -999 to 999
- l) You will hear the value you just entered (i.e. 50°)
- m) Proceed to step 4.a

4. Programming the callout delay time

- a) You will hear "Callout time delay is x minutes press 1 to change" (default 0 minutes)
 - b) Press 1 to make a change
 - ▶ Press 2 to skip and return to step 1.b
 - c) You will hear "Enter number then press pound"
 - d) Enter the time delay in minutes (i.e. 15 for 15 minutes or 0 minutes for an immediate callout)
 - ▶ Acceptable range is 0 to 900 minutes
 - e) You will hear the value you just entered
 - f) Proceed to step 1.b
- Repeat the steps 1 to 4 for each additional sensor.

Programming Temperature Corrections

The Four Zone Temperature Monitor allows the user to correct for small temperature measurement errors due to sensor cable extension length for each sensor. A calibrated standard must be used to obtain the actual temperature.

- a) From the Main Menu, press 2 to Set Limits
- b) You will hear "Enter Sensor Number"
- c) Enter #
- d) You will hear "Enter Sensor Number to Adjust"
- e) Enter the number of the sensor you want to correct (1-8)
 - ▶ To return to the Set Limits Menu press 0
- f) You will hear "Enter Sensor Number x Actual Temperature, then press pound"
- g) Enter the actual temperature measured using the standard, then press #.
 - ▶ The maximum the temperature measurement can be corrected is +-25° from the currently displayed temperature. (i.e. If the temperature currently being displayed is 100°, the max correction is 125° and the min correction is 75°. An "invalid" message is played for larger corrections.)
- h) You will hear the corrected temperature and the corrected temperature will be displayed on the display.

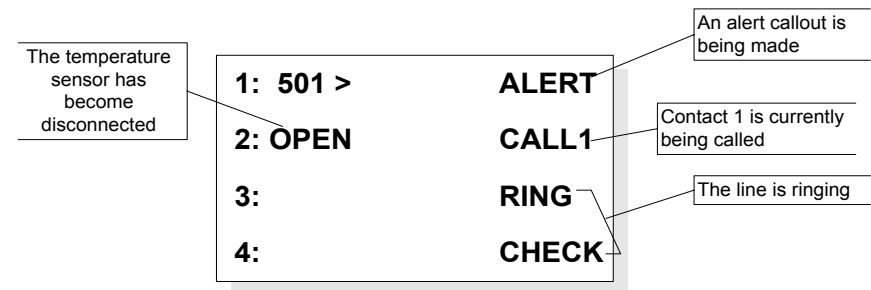
Alarm Conditions

When an alarm condition occurs, the alarm relay and buzzer are activated and the Four Zone Temperature Monitor waits 2 minutes before making callouts. The time remaining before alarm callouts commence is displayed. During this time, onsite personnel can cancel the emergency by pressing the black alarm acknowledge button on the face of the Four Zone Temperature Monitor.

| | |
|---------|-------|
| 1: 51 > | CALL- |
| 2: 28 | OUTS |
| 3: | IN |
| 4: | 01:58 |

Alarm Callouts

When the Four Zone Temperature Monitor is making callouts, the status is displayed in the right side of the screen. While the Four Zone Temperature Monitor is making telephone calls, the display is not updated with new temperature readings.



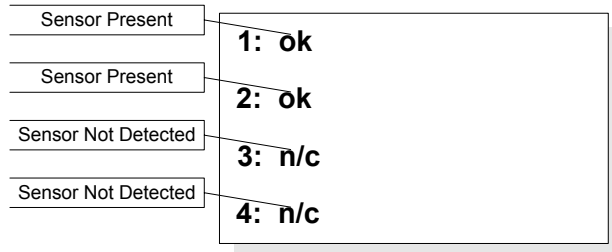
Interpreting the Display

Start Up

When starting up, the Four Zone Temperature Monitor checks each temperature sensor input to verify that a sensor is connected.

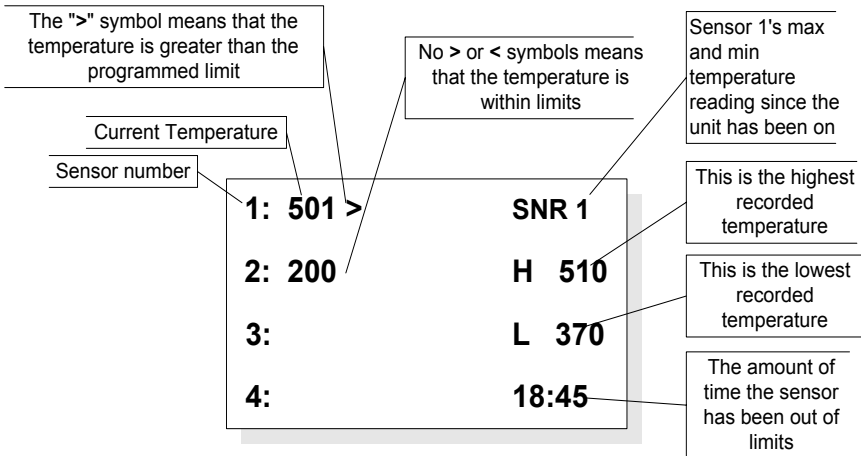
If a sensor is connected and has a reading within range, "ok" will be printed next to that sensors label.

If a sensor is not connected or has a reading out of range, "n/c" will be printed next to that sensors label.



Sensor Reading

The Four Zone Temperature Monitor continuously displays all temperature measurements, and the highest and lowest recorded temperatures of each sensor on the right hand side of the screen.



Programming the Alarm Input

The Alarm Input is a dry contact alarm input which will go into alarm condition and generate alert callouts if a switch or contact is closed across the input for longer than the programmed alarm time delay. Note that when system power is off, the relay and alarm will not operate.

- From the Main Menu, press 2 to set Limits
- You will hear "Enter Sensor Number"
- Enter 5
 - To return to the Main Menu press 0
- You will hear "Alarm Input callout time delay is xx minutes press 1 to change" (default 0 minutes)
- Press 1 to make a change or press any other button to not make a change
- You will hear "Enter number then press pound"
- Enter the time delay in minutes (i.e. 15 for 15 minutes or 0 minutes for an immediate callout)
 - Acceptable range is 0 to 900 minutes
 - You will hear the value you just entered
- You will be returned to the Set Limits Menu

Programming the Autodialer Functions

Accessing the Program Menu

From the Main Menu, press 3

- ▶ The "Full Access" PIN will be requested if the "Acknowledge Only" PIN was entered initially. If the correct "Full Access" PIN is not entered, the Four Zone Temperature Monitor and Alarm will hang up.

| Program Menu | |
|--------------|--|
| Option | Function |
| 1 | Program Contact Telephone Numbers |
| 2 | Program Local ID Number |
| 3 | Record Unit ID Message |
| 4 | Program Number of Rings |
| 5 | Change "Full Access" PIN |
| 6 | Program Reminder Calls |
| 7 | Program Repeat Warning Messages |
| 8 | Set Temperature Readout Units (°C or °F) |
| 9 | Program Power Outage Delay Time |
| * | Change Callout Time Delay |
| # | Change "Acknowledge Only" PIN |
| 0 | Exit (return to Main Menu) |

NOT SPOKEN

NOT SPOKEN

NOT SPOKEN

NOT SPOKEN

NOT SPOKEN

NOT SPOKEN

Programming Contact Telephone/Pager Numbers

The Four Zone Temperature Monitor and Alarm stores up to four (4) contact telephone or pager numbers.

- From the Program Menu, Select **1** to set telephone numbers.
- You will hear "*Select contact one to four*"
- Select **1** for the first contact number, **2** for the second contact number, **3** for the third contact number, or **4** for the fourth contact number.
 - ▶ Press 0 to return to the Program Menu.
- You will hear "*Contact x is xxxxxxxx*" or "*Contact x is Empty, press one to change*"
- Press **1** to make a change or enter a telephone number.
- You will hear "*Enter number then press pound*"
- Enter the number, followed by a **#**
 - ▶ For pager numbers, enter * as the first digit of the number
 - ▶ Enter the full telephone number (**1 + area code if necessary**)
 - ▶ If an extra delay between digits or after dialing is required, entering *

- Press **#**
- You will hear "Enter Sensor Number to Change"
- Enter the number of the sensor whose min and max readings you wish to reset to the current temperature.

Confirming Alarm Conditions Remotely

During callouts, the Four Zone Temperature Monitor and Alarm will prompt you to enter a PIN number, enter either the Full Access PIN or "1234", the Acknowledge Only PIN.

If you have received a page or a voice mail message regarding an alarm condition that you wish to confirm. Simply call the Four Zone Temperature Monitor and Alarm and enter either the Full Access PIN or "1234", the Acknowledge Only PIN, The alarm relay will de-energize, and the Four Zone Temperature Monitor and Alarm will stop making callouts for the current alarm condition. **This action does not override the Reminder Call feature.**

Confirming Alarm Conditions Locally

To confirm an alarm condition locally push the black button on the left side of the Four Zone Temperature Monitor and Alarm. The alarm relay will de-energize, and the Four Zone Temperature Monitor and Alarm will stop making callouts for the current alarm condition. **This action does not override the Reminder Call feature.**

Changing the Callout Delay Time

When a refrigerator or freezer's temperature is out of range the Four Zone Temperature Monitor and Alarm will wait this programmable amount of time before making telephone alert calls. (Default 2 minutes)

- 1 From the Program Menu, press *
- 2 You will hear "Callout Time Delay is 2 minutes"
- 3 You will hear "Press one to change."
- 4 Press 1 to change this setting, or 2 to return to the Program Menu.
- 5 You will hear "Enter number then press pound"
- 6 Enter the time delay in minutes (i.e. 60 for 1 hour)
- 7 You will hear the value you just entered
- 8 You will be automatically returned to the Program Menu

Checking Sensor Inputs Locally

All temperature sensors connected will have their temperature readings displayed next to the sensor number on the display. High and low readings are displayed on the right side of the display in the status window at 2 second intervals.

Checking Status Remotely with a telephone call

- 1 Call the Four Zone Temperature Monitor and Alarm
- 2 Enter your PIN number
- 3 From the main menu press 1
- 4 You will hear "Enter Sensor Number"
- 5 Enter the number of the sensor you wish to hear (i.e. 1) or enter 9 to hear the status of the Dry Contact Input
- 6 For Temperature Sensor Inputs, you will hear the sensor's temperature and the highest and lowest reading, and how long the sensor has been out of limits in minutes.
For the Dry Contact Inputs, you will hear the status of the input, unless power is out.
- 7 You will hear the current power status

Checking Status Remotely with a web browser (VM520-DCP)

- 1 Open a web browser such as Internet Explorer.
- 2 Enter the IP address of the device for the URL address.
- 3 The status of all connected sensors will be displayed.

Clearing High and Low Temperature Readings Locally

High and low temperature readings can be cleared by holding the black pushbutton on the front of the enclosure down for at least 5 seconds while that sensor's data is being displayed.

Clearing High and Low Temperature Readings Remotely

- 1 Call the Four Zone Temperature Monitor and Alarm
- 2 Enter the "Full Access" PIN number
- 3 From the main menu press 1
- 4 You will hear "Enter Sensor Number"

will provide a two second delay. Do not enter * for the first digit unless programming a pager number.

- ▶ Entering only the # key will erase the currently programmed contact telephone number.
- 8 You will hear the telephone number you just entered.
 - 9 You will be prompted to select another contact to program.
 - ▶ Press 0 to return to the Program Menu.

Programming a Local Identification Number For Pagers

The local ID number is printed on a pager's display, when calls are made to a pager. The ID number can be up to 20 digits long.

- 1 From the Program Menu, press 2 for the local ID
- 2 You will hear the programmed number or the Four Zone Temperature Monitor and Alarm will say "Empty"
- 3 You will hear "Press one to change"
- 4 Press 1 to make a change or 2 to return to the Program Menu
- 5 You will hear "Enter number, then press pound"
- 6 Enter the number, followed by a #
- 7 You will hear the number you just entered.
- 8 You will be automatically returned to the Program Menu

Recording a Unit Identification Message

During callouts, this message is played to identify the unit. Record a message to help ID where the Four Zone Temperature Monitor and Alarm is located.

- 1 From the Program Menu, press 3 to record a message
- 2 If this is the first time setup, go to step 4
- 3 You will hear the recorded message
- 4 You will hear "Press one to change."
- 5 Press 1 to make a change or 2 to return to the Program Menu
- 6 You will hear a tone



TIP

Record something to identify where the monitor is located to allow people receiving the alarm calls to understand what is calling them.

- 7 Begin speaking after the tone. The Four Zone Temperature Monitor and Alarm will record for about 4 seconds
- 8 After 4 seconds you will hear the tone again, marking the end of your message
- 9 You will hear the message you recorded
- 10 You will be automatically returned to the Program Menu

Programming the Number of Rings

The Four Zone Temperature Monitor answers the telephone line after the programmed number of rings. Valid rings are 1 – 25. The setting can be used to enable the Four Zone Temperature Monitor to share a line with an-

other device. See the Frequently Asked Questions section for details.

- 1 From the Program Menu, press **4** to set the number of rings
- 2 You will hear the programmed number of rings
- 3 You will hear *"Press one to change."*
- 4 Press **1** to make a change or **2** to return to the Program Menu
- 5 You will hear *"Enter number then press pound"*
- 6 Enter the number of rings, then press **#**
- 7 You will hear the number of rings you entered
- 8 You will be automatically returned to the Program Menu

Programming the "Full Access" PIN Number

The Four Zone Temperature Monitor and Alarm has a programmable "Full Access" 4-digit PIN number (0000-9999) to allow users to access the Set Limits option and Program sub-menu, and to confirm alarm conditions.

PIN number must be 4 digits and must not include a # sign.

- 1 From the Program Menu, press **5** to change the "Full Access" PIN
- 2 You will hear the programmed PIN number
- 3 You will hear *"Press one to change."*
- 4 Press **1** to make a change or **2** to return to the Program Menu
- 5 You will hear *"Enter number"*
- 6 Enter a four digit number
- 7 You will hear the PIN number you just entered
- 8 You will be automatically returned to the Program Menu

Programming the "Acknowledge Only" PIN Number

The Four Zone Temperature Monitor has a programmable "Acknowledge Only" 4-digit PIN number (0000-9999) to allow users to only to confirm alarm conditions.

PIN number must be 4 digits and must not include a # sign.

- 1 From the Program Menu, press **#** to change the "Acknowledge Only" PIN
 - 2 You will hear the programmed PIN number
 - 3 You will hear *"Press one to change."*
 - 4 Press **1** to make a change or **2** to return to the Program Menu
 - 5 You will hear *"Enter number"*
 - 6 Enter a four digit number
 - 7 You will hear the PIN number you just entered
- You will be automatically returned to the Program Menu

Programming Reminder Calls

If a temperature is out of limits or a High Temperature door remains open after the alarm has been acknowledged, the Four Zone Temperature Monitor can make "reminder calls". This feature alerts personnel that a problem still exists, and has not been fixed. The reminder call delay can be programmed from 15 to 900 minutes.

- 1 From the Program Menu, press **6**
- 2 You will hear "Off"
- 3 You will hear *"Press one to change."*

- 4 Press **1** to change this setting, or **2** to return to the Program Menu.
- 5 You will hear "On"
- 6 You will hear "Callout time delay is XX minutes press 1 to change" (Default value is 60 minutes)
- 7 Press **1** to make a change or press **2** to not make a change
- 8 You will hear "Enter number then press pound"
- 9 Enter the time delay in minutes (i.e. 120 for 2 hours)
- 10 You will hear the value you just entered
- 11 You will be automatically returned to the Program Menu

Programming Warning Message Repetitions

During callouts the Four Zone Temperature Monitor will repeat the local ID message and warning conditions a programmable number of times (Default 1 repetition)

- 1 From the Program Menu, press **7**
- 2 You will hear "Warning Reminder is 1"
- 3 You will hear *"Press one to change."*
- 4 Press **1** to change this setting, or **2** to return to the Program Menu.
- 5 You will hear "Enter number then press pound"
- 6 Enter the number of times (0,1, or 2) that you would like the warning message repeated.
- 7 You will hear the value you just entered
- 8 You will be automatically returned to the Program Menu

Set Temperature Readout Units (°C or °F)

The Four Zone Temperature Monitor and Alarm can display and report temperature readings in degrees Celsius or Fahrenheit.

- 1 From the Program Menu, press **8**
- 2 You will hear *"Degrees is 32, press one to change"*, indicating the temperature reading at freezing in its current mode. (Default is Fahrenheit)
- 3 Press **1** to switch to Celsius Temperature Readout, or **2** to return to the Program Menu.
- 4 You will hear *"Degrees is 0"*
- 5 You will be automatically returned to the Program Menu

Program Power Outage Delay Time

The Four Zone Temperature Monitor and Alarm can delay a programmable amount of time before alarming due to a power outage. The default time is 5 minutes.

- 1 From the Program Menu, press **9**
- 2 You will hear *"Power callout time delay is 5 minutes press 1 to change"*
- 3 Press **1** to change, or **2** to return to the Program Menu
- 4 You will hear *"Enter number then press pound"*
- 5 Enter the time delay in minutes (i.e. 15 for 15 minutes or 0 minutes for an immediate callout)
 - ▶ Acceptable range is 0 to 120 minutes
- 6 You will hear the value you just entered
- 7 You will be automatically returned to the Program Menu

Free Manuals Download Website

<http://myh66.com>

<http://usermanuals.us>

<http://www.somanuals.com>

<http://www.4manuals.cc>

<http://www.manual-lib.com>

<http://www.404manual.com>

<http://www.luxmanual.com>

<http://aubethermostatmanual.com>

Golf course search by state

<http://golfingnear.com>

Email search by domain

<http://emailbydomain.com>

Auto manuals search

<http://auto.somanuals.com>

TV manuals search

<http://tv.somanuals.com>