

**1 YEAR**  
WARRANTY

MADE IN  
**USA**



# User's Guide

**Shop online at**

**omega.com<sup>®</sup>**

Ω OMEGA<sup>®</sup>

*omega.com*

*e-mail: info@omega.com*

*For latest product manuals:  
omegamanual.info*

**ISO 9001**  
CERTIFIED  
CORPORATE QUALITY  
STAMFORD, CT

**ISO 9002**  
CERTIFIED  
CORPORATE QUALITY  
MANCHESTER, UK



## DIN-190 and DIN-192 Series Converter Boxes



<b>OMEGAnet® Online Service</b> <b>omega.com</b>	<b>Internet e-mail</b> <b>info@omega.com</b>
---	---

### Servicing North America:

**U.S.A.:** One Omega Drive, Box 4047  
ISO 9001 Certified Stamford, CT 06907-0047  
Tel: (203) 359-1660 FAX: (203) 359-7700  
e-mail: info@omega.com

**Canada:** 976 Bergar  
Laval (Quebec) H7L 5A1, Canada  
Tel: (514) 856-6928 FAX: (514) 856-6886  
e-mail: info@omega.ca

### For immediate technical or application assistance:

**U.S.A. and Canada:** Sales Service: 1-800-826-6342 / 1-800-TC-OMEGA®  
Customer Service: 1-800-622-2378 / 1-800-622-BEST®  
Engineering Service: 1-800-872-9436 / 1-800-USA-WHEN®

**Mexico:** En Español: (001) 203-359-7803 e-mail: espanol@omega.com  
FAX: (001) 203-359-7807 info@omega.com.mx

### Servicing Europe:

**Benelux:** Postbus 8034, 1180 LA Amstelveen, The Netherlands  
Tel: +31 (0)20 3472121 FAX: +31 (0)20 6434643  
Toll Free in Benelux: 0800 0993344  
e-mail: sales@omegaeng.nl

**Czech Republic:** Frystatska 184, 733 01 Karviná, Czech Republic  
Tel: +420 (0)59 6311899 FAX: +420 (0)59 6311114  
Toll Free: 0800-1-66342 e-mail: info@omegashop.cz

**France:** 11, rue Jacques Cartier, 78280 Guyancourt, France  
Tel: +33 (0)1 61 37 2900 FAX: +33 (0)1 30 57 5427  
Toll Free in France: 0800 466 342  
e-mail: sales@omega.fr

**Germany/Austria:** Daimlerstrasse 26, D-75392 Deckenpfronn, Germany  
Tel: +49 (0)7056 9398-0 FAX: +49 (0)7056 9398-29  
Toll Free in Germany: 0800 639 7678  
e-mail: info@omega.de

**United Kingdom:** One Omega Drive, River Bend Technology Centre  
ISO 9002 Certified Northbank, Irlam, Manchester  
M44 5BD United Kingdom  
Tel: +44 (0)161 777 6611 FAX: +44 (0)161 777 6622  
Toll Free in United Kingdom: 0800-488-488  
e-mail: sales@omega.co.uk

---

It is the policy of OMEGA Engineering, Inc. to comply with all worldwide safety and EMC/EMI regulations that apply. OMEGA is constantly pursuing certification of its products to the European New Approach Directives. OMEGA will add the CE mark to every appropriate device upon certification.

The information contained in this document is believed to be correct, but OMEGA accepts no liability for any errors it contains, and reserves the right to alter specifications without notice.

**WARNING:** These products are not designed for use in, and should not be used for, human applications.

**DIN-191 and DIN-192 SERIES  
CONVERTER BOXES  
USERS MANUAL**

**REVISED: 10-30-00**

**Omega Engineering  
One Omega Drive  
P O Box 4047  
Stamford, CT 06907  
Phone: 1-800-DAS-IEEE  
Fax: 203-359-7990  
e-mail: [das@omega.com](mailto:das@omega.com)  
[www.omega.com](http://www.omega.com)**

The information in this publication has been carefully checked and is believed to be accurate; however, no responsibility is assumed for possible inaccuracies or omissions. Applications information in this manual is intended as suggestions for possible use of the products and not as explicit performance in a specific application. Specifications may be subject to change without notice.

### 3 DIN-191 & DIN-192 USERS MANUAL

#### **GENERAL DESCRIPTION**

The DIN-191 and DIN-192 series converter boxes convert RS-232 communications signal levels to the correct electrical signals required by RS-485. The RS-485 communications standard is recommended when many modules, or other addressable devices, must be connected to a host computer over long distances. The DIN-191 and DIN-192 converters allow communications bus lengths up to 4,000 meters and baud rates up to 115K baud using one twisted pair of wires.

The RS-485 communications standard is half-duplex; therefore data can be transmitted in only one direction at a time. To determine the direction of data on the RS-485 bus, many products require external handshaking signals to control the bus direction when transmitting or receiving data. This technique often requires that host RS-232 software be written, or modified, to accurately control handshaking signals for proper system operation. The DIN-191 and DIN-192 automatically control the bus direction without external handshaking signals from the host. Therefore, host software written for RS-232 may be used without modification. RS-485 bus control is completely transparent to the user.

The DIN-192 is an RS-485 repeater. Repeaters are required to extend communications bus lengths or allow more than 32 RS-485 devices to be connected to a communications bus. A repeater simply re-amplifies, or boosts, existing RS-485 signals transmitted over long distances.

The DIN-191 and DIN-192 are each isolated between the RS-232 port and/or RS-485 ports and require a regulated +5Vdc power supply.

**SPECIFICATIONS**

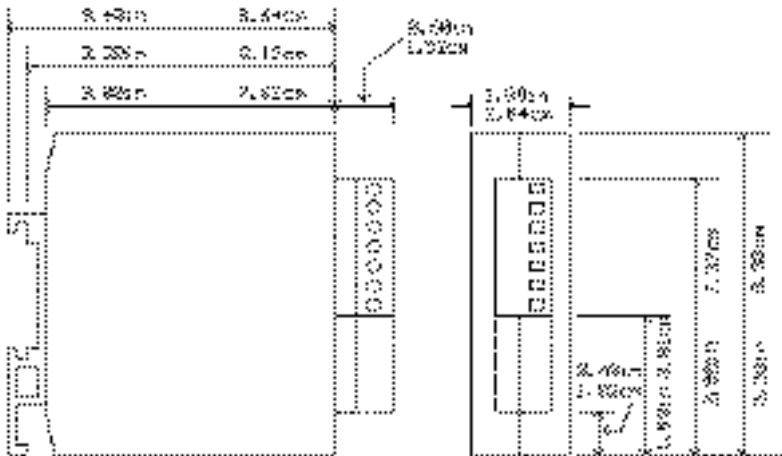
Max common mode voltage: 500Vrms, 60s duration.  
 Baud rates: 300, 600, 1200, 2400, 4800, 9600, 19200, 38400, 57600, 115200 (Dip -switch selectable).  
 Temperature range (operating & storage): -25 to +70°C.  
 Relative humidity: 0 - 95% noncondensing.  
 Warranty: 12 months on workmanship and materials.

**Power Specifications**

Power requirements: Regulated +5Vdc.  
 Power consumption: 1.0W Max (RS-485 driver on).

**MECHANICALS AND DIMENSIONS**

Case: ABS case with screw terminal barrier plug (supplied).  
 RS-485 Connectors: Phoenix screw terminal barrier plug (supplied).  
 Replace with Phoenix MSTB 2.5/4 ST 5.08 or equivalent.  
 Warranty: 12 months on workmanship and materials.



**DIN-191 CONNECTORS**

The DIN-191 contains two connectors: a four-pin screw terminal plug and a female DB-9 RS-232 connector.

The four -pin screw terminal plug pin designations are located on the label of each module. The screw terminals will accept up to #14 gauge wire (AWG). This connector is used for +5.0Vdc regulated power supply input and the RS-485 data lines.

## 5 DIN-191 & DIN-192 USERS MANUAL

The DIN-191 female RS-232 connector utilizes five connections:

Transmit	pin 2
Receive	pin 3.
Ground	pin 5.
Data Set Ready (DSR)	pin 6
Clear To Send (CTS)	pin 8

Both the Data Set Ready (DSR) input pin #6 and Clear To Send (CTS) input pin #8 are internally biased to their active state thru a 330 resistor to +5Vdc.

To easily connect to any host PC computer, a straight thru RS-232 cable can be used. The RS-232 input Ground and signals are isolated by up to 500VRMS from the power supply ground. Cable CA-1 is a male-to-male DB-9 communications cable available for purchase from us.

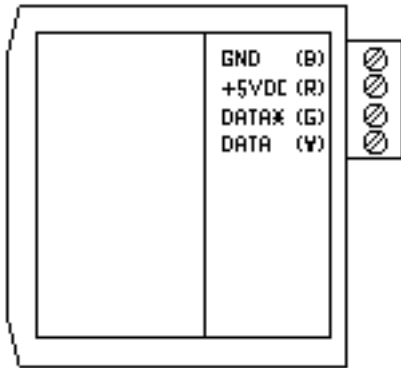


Figure 1A Connections for DIN-191.

An RS-485 repeater is necessary to extend the length of an RS-485 network, or connect more than 32 RS-485 devices on an RS-485 network.

The DIN-192 repeater contains a seven-pin screw terminal plug. The pin designations are located on the label of each module. The screw terminals will accept up to #14 gauge wire (AWG). This connector is used for +5.0Vdc regulated power supply input and both pairs of RS-485 data lines. The isolated RS-485 input data lines are clearly marked and their ground reference is isolated by up to 500VRMS from the power supply ground. The isolated RS-485 input data lines should be attached to the end of an existing RS-485 network. The serial data received on the

isolated RS-485 input data lines will be re-amplified and retransmitted on the RS-485 OUT data lines.

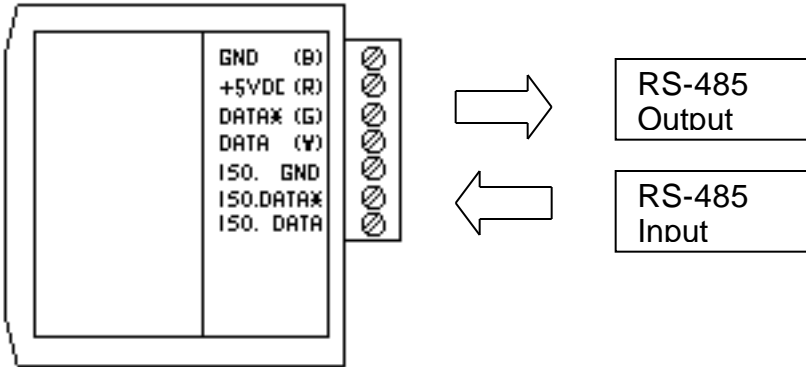


Figure 1B Connections for DIN-192.

## BAUD RATE

The DIN-191 and DIN-192 series converters contain a 10-position DIP switch located on the bottom of each unit. The DIP switch is used to select the correct communications baud rate and must be set to the same value as the devices connected to the RS-485 data lines. Each position on the DIP switch is labeled from 1 to 10. Switch position 1 selects 300 baud. Switch positions 2 thru 9 select standard baud rates from 600 to 57.6K respectively. Switch position 10 selects 115.2K baud rate. Only one baud rate switch may be turned on (up position) at one time for proper operation.

## RS-485 TERMINATIONS

The proper termination techniques for any RS-485 system require two biasing resistors and two termination resistors. The 1k $\Omega$  biasing resistors are connected from the DATA line to +5Vdc and from the DATA\* line to ground. The biasing resistors are normally positioned at the HOST end of the cable. The RS-485 standard also requires two resistors across the data lines for proper termination. Two 220 $\Omega$  resistors should be connected between the DATA and DATA\* lines. The resistors should be placed at each end of the RS-485 cable. Please refer to Figure 2 for a typical RS-485 system application.

The DIN-191 and DIN-192 each contain the biasing and termination resistors necessary to interface any equipment on an RS-485 network. These resistors are jumper-selectable making it easier to interface the DIN-191 and DIN-192 to other pieces of equipment that may or may not contain the biasing and/or termination resistors.

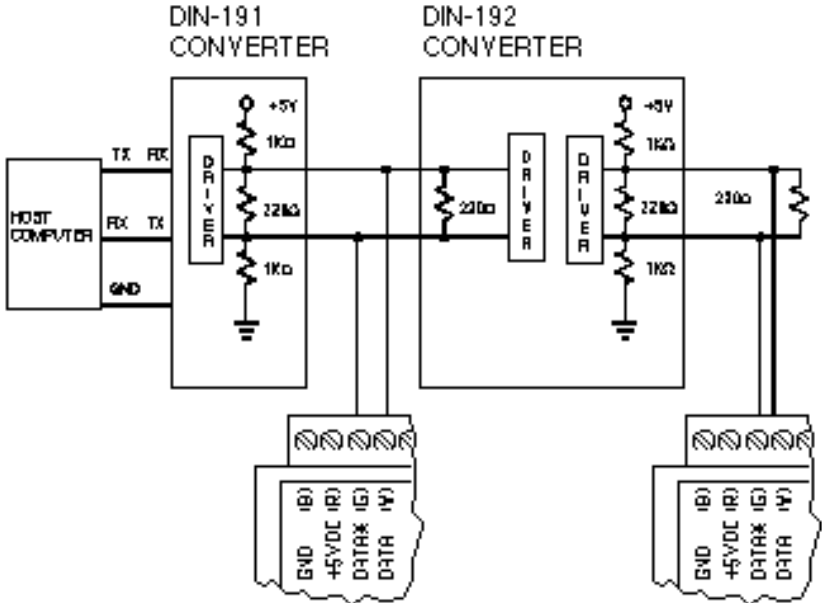


Figure 2. RS-485 biasing & termination resistors.

**RS-485 TERMINATION & BIASING SETTINGS**

Proper termination and biasing of any RS-485 based system can be performed by properly enabling the correct resistors inside each DIN-191 or DIN-192. Figures 3.0 and 4.0 show the location of the jumpers on the printed circuit board. The jumpers are shown in their factory set locations to enable the selected resistors. Insert or remove the jumpers as required to properly terminate any RS-485 system.

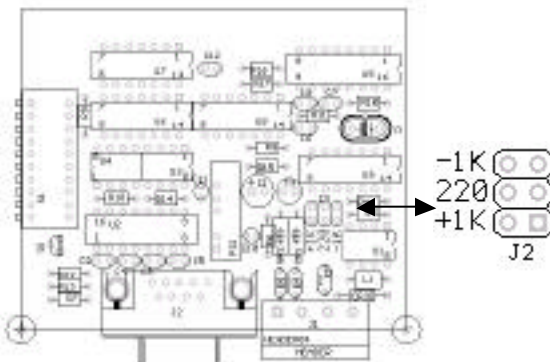


Figure 3. DIN-192 jumper locations.



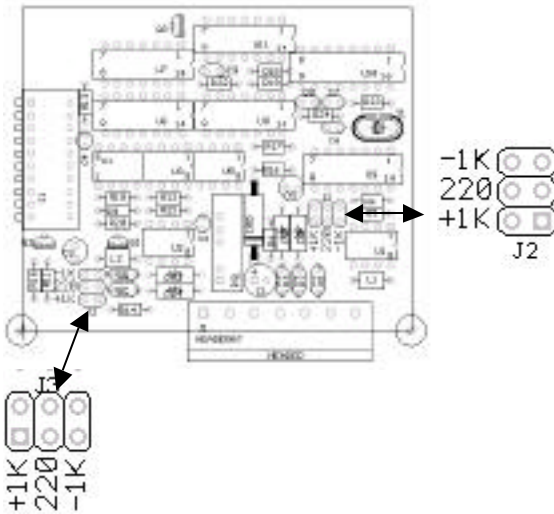


FIGURE 4. DIN-192 jumper locations.

### FACTORY RS-485 TERMINATION SETTINGS

Each DIN-191 and DIN-192 contains internal pin strips for enabling the internal termination and biasing resistors. Each pc board is clearly marked with the jumper designators adjacent to each row of pins. The jumper designators are +1K, 220 and -1K. To enable any resistor, place a jumper over the pins next to the required designator. The factory switch and jumper settings are outlined below.

#### DIN-191:

Baud Rate: 300 baud switch up.

Biasing Resistors: +1K, -1K jumpers installed.

Termination Resistor: 220 jumper installed.

#### DIN-192:

Baud Rate: 300 baud switch up.

RS-485 (J3): Biasing Resistors: +1K, -1K jumpers installed.

Termination Resistor: 220 jumper installed.

Isolated RS-485 (J2): Biasing Resistors: +1K, -1K jumpers installed.

Termination Resistor: 220 jumper not installed.



## WARRANTY/DISCLAIMER

OMEGA ENGINEERING, INC. warrants this unit to be free of defects in materials and workmanship for a period of **13 months** from date of purchase. OMEGA's WARRANTY adds an additional one (1) month grace period to the normal **one (1) year product warranty** to cover handling and shipping time. This ensures that OMEGA's customers receive maximum coverage on each product.

If the unit malfunctions, it must be returned to the factory for evaluation. OMEGA's Customer Service Department will issue an Authorized Return (AR) number immediately upon phone or written request. Upon examination by OMEGA, if the unit is found to be defective, it will be repaired or replaced at no charge. OMEGA's WARRANTY does not apply to defects resulting from any action of the purchaser, including but not limited to mishandling, improper interfacing, operation outside of design limits, improper repair, or unauthorized modification. This WARRANTY is VOID if the unit shows evidence of having been tampered with or shows evidence of having been damaged as a result of excessive corrosion; or current, heat, moisture or vibration; improper specification; misapplication; misuse or other operating conditions outside of OMEGA's control. Components in which wear is not warranted, include but are not limited to contact points, fuses, and triacs.

**OMEGA is pleased to offer suggestions on the use of its various products. However, OMEGA neither assumes responsibility for any omissions or errors nor assumes liability for any damages that result from the use of its products in accordance with information provided by OMEGA, either verbal or written. OMEGA warrants only that the parts manufactured by the company will be as specified and free of defects. OMEGA MAKES NO OTHER WARRANTIES OR REPRESENTATIONS OF ANY KIND WHATSOEVER, EXPRESSED OR IMPLIED, EXCEPT THAT OF TITLE, AND ALL IMPLIED WARRANTIES INCLUDING ANY WARRANTY OF MERCHANTABILITY AND FITNESS FOR A PARTICULAR PURPOSE ARE HEREBY DISCLAIMED. LIMITATION OF LIABILITY: The remedies of purchaser set forth herein are exclusive, and the total liability of OMEGA with respect to this order, whether based on contract, warranty, negligence, indemnification, strict liability or otherwise, shall not exceed the purchase price of the component upon which liability is based. In no event shall OMEGA be liable for consequential, incidental or special damages.**

CONDITIONS: Equipment sold by OMEGA is not intended to be used, nor shall it be used: (1) as a "Basic Component" under 10 CFR 21 (NRC), used in or with any nuclear installation or activity; or (2) in medical applications or used on humans. Should any Product(s) be used in or with any nuclear installation or activity, medical application, used on humans, or misused in any way, OMEGA assumes no responsibility as set forth in our basic WARRANTY/DISCLAIMER language, and, additionally, purchaser will indemnify OMEGA and hold OMEGA harmless from any liability or damage whatsoever arising out of the use of the Product(s) in such a manner.

## RETURN REQUESTS/INQUIRIES

Direct all warranty and repair requests/inquiries to the OMEGA Customer Service Department. **BEFORE RETURNING ANY PRODUCT(S) TO OMEGA, PURCHASER MUST OBTAIN AN AUTHORIZED RETURN (AR) NUMBER FROM OMEGA'S CUSTOMER SERVICE DEPARTMENT (IN ORDER TO AVOID PROCESSING DELAYS).** The assigned AR number should then be marked on the outside of the return package and on any correspondence.

The purchaser is responsible for shipping charges, freight, insurance and proper packaging to prevent breakage in transit.

FOR **WARRANTY** RETURNS, please have the following information available BEFORE contacting OMEGA:

1. Purchase Order number under which the product was PURCHASED,
2. Model and serial number of the product under warranty, and
3. Repair instructions and/or specific problems relative to the product.

FOR **NON-WARRANTY** REPAIRS, consult OMEGA for current repair charges. Have the following information available BEFORE contacting OMEGA:

1. Purchase Order number to cover the COST of the repair,
2. Model and serial number of the product, and
3. Repair instructions and/or specific problems relative to the product.

OMEGA's policy is to make running changes, not model changes, whenever an improvement is possible. This affords our customers the latest in technology and engineering.

OMEGA is a registered trademark of OMEGA ENGINEERING, INC.

© Copyright 2005 OMEGA ENGINEERING, INC. All rights reserved. This document may not be copied, photocopied, reproduced, translated, or reduced to any electronic medium or machine-readable form, in whole or in part, without the prior written consent of OMEGA ENGINEERING, INC.

# Where Do I Find Everything I Need for Process Measurement and Control? **OMEGA...Of Course!** *Shop online at [omega.com](http://omega.com)*

## **TEMPERATURE**

- ☑ Thermocouple, RTD & Thermistor Probes, Connectors, Panels & Assemblies
- ☑ Wire: Thermocouple, RTD & Thermistor
- ☑ Calibrators & Ice Point References
- ☑ Recorders, Controllers & Process Monitors
- ☑ Infrared Pyrometers

## **PRESSURE, STRAIN AND FORCE**

- ☑ Transducers & Strain Gages
- ☑ Load Cells & Pressure Gages
- ☑ Displacement Transducers
- ☑ Instrumentation & Accessories

## **FLOW/LEVEL**

- ☑ Rotameters, Gas Mass Flowmeters & Flow Computers
- ☑ Air Velocity Indicators
- ☑ Turbine/Paddlewheel Systems
- ☑ Totalizers & Batch Controllers

## **pH/CONDUCTIVITY**

- ☑ pH Electrodes, Testers & Accessories
- ☑ Benchtop/Laboratory Meters
- ☑ Controllers, Calibrators, Simulators & Pumps
- ☑ Industrial pH & Conductivity Equipment

## **DATA ACQUISITION**

- ☑ Data Acquisition & Engineering Software
- ☑ Communications-Based Acquisition Systems
- ☑ Plug-in Cards for Apple, IBM & Compatibles
- ☑ Datalogging Systems
- ☑ Recorders, Printers & Plotters

## **HEATERS**

- ☑ Heating Cable
- ☑ Cartridge & Strip Heaters
- ☑ Immersion & Band Heaters
- ☑ Flexible Heaters
- ☑ Laboratory Heaters

## **ENVIRONMENTAL MONITORING AND CONTROL**

- ☑ Metering & Control Instrumentation
- ☑ Refractometers
- ☑ Pumps & Tubing
- ☑ Air, Soil & Water Monitors
- ☑ Industrial Water & Wastewater Treatment
- ☑ pH, Conductivity & Dissolved Oxygen Instruments

M3648/0605

## Free Manuals Download Website

<http://myh66.com>

<http://usermanuals.us>

<http://www.somanuals.com>

<http://www.4manuals.cc>

<http://www.manual-lib.com>

<http://www.404manual.com>

<http://www.luxmanual.com>

<http://aubethermostatmanual.com>

Golf course search by state

<http://golfingnear.com>

Email search by domain

<http://emailbydomain.com>

Auto manuals search

<http://auto.somanuals.com>

TV manuals search

<http://tv.somanuals.com>