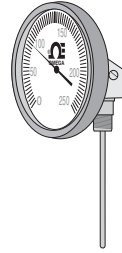


omega.com[®]

Ω OMEGA[®]

MODEL J DIALTEMP™



INSTRUCTION
SHEET

M0102/0902

INTRODUCTION

The Model J Dialtemp™ is a non electronic thermometer that features a 360 degree swivel neck with a 90 degree tilt range of it's large easy-to-read 5 inch dial face. The heliarc stainless steel welded construction provides a moisture-proof bond, while preventing the possibility of rust and corrosion. The temperature sensing device consists of sensitive bi-metal coils. They are wound to pre-determined standards and are individually trimmed and tested for full-scale accuracy, contributing minimum pointer vibration and maximum heat transfer. One external reset screw enables fast and simple recalibration. This superior DialTemp instrumentation design combines high precision with durability and dependability, making the Model J Thermometer ideal for a wide variety of applications.

UNPACKING INSTRUCTIONS

Remove the packing list and verify that all equipment has been received. If there are any questions about the shipment, please call the OMEGA Customer Service Department at 1-800-622-2378 or (203) 359-1660.

Upon receipt of shipment, inspect the container and equipment for signs of damage. Take particular note of any evidence of rough handling in transit. Immediately report any damage to the shipping agent.

NOTE

The carrier will not honor any claims unless all shipping material is saved for their examination. After examining and removing contents, save packing material in event reshipment is necessary.

HEAD ADJUSTMENT INSTRUCTIONS

Adjust the angle of the head before installing the Model J Thermometer. Refer to Figure 1 to locate the adjustment screws.

NOTE

Install the thermometer so that the maximum ambient head temperature remains below 300°F (149°C) at all times.

1. Adjust the rotational position of the head by loosening the two bracket bolts and rotating the bracket until the head is in the desired position.

NOTE: Observe that the head and stem must be in the full upright position in order to rotate the head. Tighten the bracket bolts securely.

2. Adjust the tilt angle of the head by loosening the two hinge screws and tilting the head to the desired position. Tighten the hinge screws securely.

TO RESET THE DIAL

1. Determine the room temperature by using a reference thermometer of known accuracy.
2. Locate the reset screw on the back of the head (see Figure 1).
3. The numbered dial face inside the head will rotate as the screw is turned. Use a slotted screwdriver or a 1/8" hex wrench to adjust the setting.
4. Align the pointer with the correct temperature on the numbered dial face. The thermometer is now ready for installation.

INSTALLATION INSTRUCTIONS

The Model J DialTemp Thermometer is supplied with a 1/2" -14 NPT pipe thread for mounting purposes. Carefully screw the thermometer into the fitting by hand until slightly tight. Complete tightening by using a 5/8" wrench on the wrench flats. When using a thermowell, tighten only FINGER TIGHT.

CAUTION

NEVER TIGHTEN BY TWISTING THE HEAD! AVOID HANDLING THE THERMOMETER BY THE STEM OR BENDING THE STEM.

To obtain a positive seal, coat the threads with pipe joint compound or wrap with Teflon tape.

When inserting the DialTemp into a semi-solid material, hold the stem firmly and insert slowly and carefully to avoid bending. When inserting the thermometer into a material, always hold it by the stem, not by the head.

OPERATING INSTRUCTIONS

For correct temperature measurement, the stem of the DialTemp must be immersed at least 2" in fluids and 4" in gases.

RANGES AND DIVISIONS:

Fahrenheit		Celsius	
-40-160°F	2	0-100°C	1
*0-200°F	2	-10-110°C	1
*0-250°F	2	0-150°C	1
50-300°F	2	0-300°C	5
*50-500°F	5		
150-750°F	5		
100-800°F	5		
200-1000°F	10		

* Off-the-shelf ranges/divisions for the 2 1/2" and 6" stem lengths. Not recommended for continuous use above 800°F.

SPECIFICATIONS

ACCURACY: ±1% of full scale
RESPONSE TIME: Readings are stabilized within 40 seconds

Download from [Www.Somanuals.com](http://www.Somanuals.com). All Manuals Search And Download.

RECALIBRATION:	External ¼" nut reset screw
OVERRANGE PROTECTION:	50% up to 500°F
MATERIALS:	
CONSTRUCTION:	Stainless steel welded construction (rust and corrosion-proof, leakproof, hermetically sealed)
PRESSURE RATING:	Rated to 1,000 PSI. Use of thermowell is recommended for higher pressures or for very heavy-duty applications.
HEAD & BEZEL:	Polished Type 302 stainless steel
MOUNTING:	½"-14 NPT, Type 303 stainless steel, ⅝" wrench flats.
DIAL FACE:	Anodized aluminum. Black marks and numbers with stain matte finish background. Easy to read. Minimum parallax.
STEM:	Type 304 stainless steel (highly resistant to corrosion)
CRYSTAL:	Optically clear strong glass.
OPTIONAL:	Unbreakable clear plastic (not recommended for ranges over 300°F)
DIMENSIONS:	
HEAD DIAMETER:	5" dia.
STEM DIAMETER:	¼" dia.
STEM LENGTH:	standard is 2½" or 6". Also available: 4", 9", 12", 15", 18", 24", 30", 36". NOTE: A 4" stem is the shortest length for ranges 0-100°F, 25-125°F, and 0-50°C.
POINTED STEMS:	Optional on all models -excellent for probing asphalt, compost, soil, frozen foods, and other semi-solid materials.
RESET SCREW:	¼" hex nut with slot for screwdriver.
OPTIONAL FEATURES:	½", ¾" NPT Adaptor Bushing (other threads available on special order)

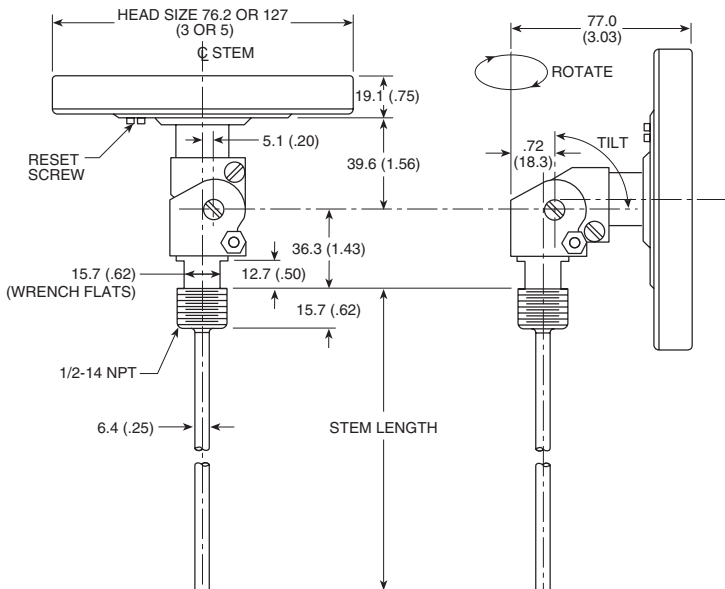


Figure 1. Dimensions Model J



OMEGAnet® Online Service www.omega.com	Internet e-mail info@omega.com
--	--

Servicing North America:

USA: One Omega Drive, Box 407
Stamford CT 06907-0047
Tel: (203) 359-1660 FAX: (203) 359-7700
e-mail: info@omega.com

Canada: 976 Bergar
Laval (Quebec) H7L 5A1
Tel: (514) 856-6928 FAX: (514) 856-6886
e-mail: info@omega.ca

For immediate technical or application assistance:

USA and Canada: Sales Service: 1-800-826-6342 / 1-800-TC-OMEGA®
Customer Service: 1-800-622-2378 / 1-800-622-BEST®
Engineering Service: 1-800-872-9436 / 1-800-USA-WHEN®
TELEX: 996404 EASYLINK: 62968934 CABLE: OMEGA®

Mexico: En Español: (001) 203-359-7803 e-mail:espanol@omega.com
FAX: (001) 203-359-7807 info@omega.com.mx

Servicing Europe:

Benelux: Postbus 8034, 1180 LA Amstelveen, The Netherlands
Tel: +31 (0)20 3472121 FAX: +31 (0)20 6434643
Toll Free in Benelux: 0800 0993344
e-mail: sales@omegaeng.nl

Czech Republic: Rudé armády 1868, 733 01 Karviná 8
Tel: +420 (0)69 6311899 FAX: +420 (0)69 6311114
Toll Free: 0800-1-66342 e-mail: info@omegashop.cz

France: 11, rue Jacques Cartier, 78280 Guyancourt, France
Tel: +33 (0)1 61 37 29 00 FAX: +33 (0)1 30 57 54 27
Toll Free in France: 0800 466 342
e-mail: sales@omega.fr

Germany/Austria: Daimlerstrasse 26, D-75392 Deckenpfronn, Germany
Tel: +49 (0)7056 9398-0 FAX: +49 (0)7056 9398-29
Toll Free in Germany: 0800 639 7678
e-mail: info@omega.de

United Kingdom: One Omega Drive, River Bend Technology Centre
Northbank, Irlam, Manchester
M44 5BD United Kingdom
Tel: +44 (0)161 777 6611 FAX: +44 (0)161 777 6622
Toll Free in United Kingdom: 0800-488-488
e-mail: sales@omega.co.uk

It is the policy of OMEGA to comply with all worldwide safety and EMC/EMI regulations that apply. OMEGA is constantly pursuing certification of its products to the European New Approach Directives. OMEGA will add the CE mark to every appropriate device upon certification.

The information contained in this document is believed to be correct, but OMEGA Engineering, Inc. accepts no liability for any errors it contains, and reserves the right to alter specifications without notice.

WARNING: These products are not designed for use in, and should not be used for, patient-connected applications.

**WARRANTY/DISCLAIMER**

OMEGA ENGINEERING, INC. warrants this unit to be free of defects in materials and workmanship for a period of **13 months** from date of purchase. OMEGA's WARRANTY adds an additional one (1) month grace period to the normal **one (1) year product warranty** to cover handling and shipping time. This ensures that OMEGA's customers receive maximum coverage on each product.

If the unit malfunctions, it must be returned to the factory for evaluation. OMEGA's Customer Service Department will issue an Authorized Return (AR) number immediately upon phone or written request. Upon examination by OMEGA, if the unit is found to be defective, it will be repaired or replaced at no charge. OMEGA's WARRANTY does not apply to defects resulting from any action of the purchaser, including but not limited to mishandling, improper interfacing, operation outside of design limits, improper repair, or unauthorized modification. This WARRANTY is VOID if the unit shows evidence of having been tampered with or shows evidence of having been damaged as a result of excessive corrosion; or current, heat, moisture or vibration; improper specification; misapplication; misuse or other operating conditions outside of OMEGA's control. Components which wear are not warranted, including but not limited to contact points, fuses, and triacs.

OMEGA is pleased to offer suggestions on the use of its various products. However, OMEGA neither assumes responsibility for any omissions or errors nor assumes liability for any damages that result from the use of its products in accordance with information provided by OMEGA, either verbal or written. OMEGA warrants only that the parts manufactured by it will be as specified and free of defects. OMEGA MAKES NO OTHER WARRANTIES OR REPRESENTATIONS OF ANY KIND WHATSOEVER, EXPRESS OR IMPLIED, EXCEPT THAT OF TITLE, AND ALL IMPLIED WARRANTIES INCLUDING ANY WARRANTY OF MERCHANTABILITY AND FITNESS FOR A PARTICULAR PURPOSE ARE HEREBY DISCLAIMED. LIMITATION OF LIABILITY: The remedies of purchaser set forth herein are exclusive, and the total liability of OMEGA with respect to this order, whether based on contract, warranty, negligence, indemnification, strict liability or otherwise, shall not exceed the purchase price of the component upon which liability is based. In no event shall OMEGA be liable for consequential, incidental or special damages.

CONDITIONS: Equipment sold by OMEGA is not intended to be used, nor shall it be used: (1) as a "Basic Component" under 10 CFR 21 (NRC), used in or with any nuclear installation or activity; or (2) in medical applications or used on humans. Should any Product(s) be used in or with any nuclear installation or activity, medical application, used on humans, or misused in any way, OMEGA assumes no responsibility as set forth in our basic WARRANTY/DISCLAIMER language, and, additionally, purchaser will indemnify OMEGA and hold OMEGA harmless from any liability or damage whatsoever arising out of the use of the Product(s) in such a manner.

RETURN REQUESTS / INQUIRIES

Direct all warranty and repair requests/inquiries to the OMEGA Customer Service Department. BEFORE RETURNING ANY PRODUCT(S) TO OMEGA, PURCHASER MUST OBTAIN AN AUTHORIZED RETURN (AR) NUMBER FROM OMEGA'S CUSTOMER SERVICE DEPARTMENT (IN ORDER TO AVOID PROCESSING DELAYS). The assigned AR number should then be marked on the outside of the return package and on any correspondence.

The purchaser is responsible for shipping charges, freight, insurance and proper packaging to prevent breakage in transit.

FOR **WARRANTY RETURNS**, please have the following information available BEFORE contacting OMEGA:

1. Purchase Order number under which the product was PURCHASED,
2. Model and serial number of the product under warranty, and
3. Repair instructions and/or specific problems relative to the product.

FOR **NON-WARRANTY REPAIRS**, consult OMEGA for current repair charges. Have the following information available BEFORE contacting OMEGA:

1. Purchase Order number to cover the COST of the repair,
2. Model and serial number of the product, and
3. Repair instructions and/or specific problems relative to the product.

OMEGA's policy is to make running changes, not model changes, whenever an improvement is possible. This affords our customers the latest in technology and engineering.

OMEGA is a registered trademark of OMEGA ENGINEERING, INC.

© Copyright 2002 OMEGA ENGINEERING, INC. All rights reserved. This document may not be copied, photocopied, reproduced, translated, or reduced to any electronic medium or machine-readable form, in whole or in part, without the prior written consent of OMEGA ENGINEERING, INC.

Free Manuals Download Website

<http://myh66.com>

<http://usermanuals.us>

<http://www.somanuals.com>

<http://www.4manuals.cc>

<http://www.manual-lib.com>

<http://www.404manual.com>

<http://www.luxmanual.com>

<http://aubethermostatmanual.com>

Golf course search by state

<http://golfingnear.com>

Email search by domain

<http://emailbydomain.com>

Auto manuals search

<http://auto.somanuals.com>

TV manuals search

<http://tv.somanuals.com>