

If you are requested by the manufacturer to return the item for repair please complete the enclosed section and send it together with your product and your receipt (proof of purchase) to the service address shown below.



Name: _____

Address: _____

Contact Telephone No.: _____

E-mail: _____

Location of purchase: _____

Fault Description: _____

In order to deal with your enquiry as quickly and efficiently as possible, we ask you to send your enquiry by email (technical@omegawolf.co.uk). Do not forget to include your name, address and a daytime telephone number.

Alternatively, you can contact our freephone service hot-line on the number given below.

Office hours are as follows:

Mon - Fri: 8 am - 6 pm, Sat: 10 am - 2 pm, Sun: 10 am - 4 pm

**UK / NORTHERN IRELAND HELPLINE:
0870 7323023**

**REPUBLIC OF IRELAND HELPLINE:
1800 481005**

**WEB SUPPORT:
www.omegawolf.com/powercraft**

Omega, Interex House, Prospect Close, Lowmoor Business Park
NG17 7LF Kirkby In Ashfield, England

Replacements or repairs under guarantee regulations are free of charge.

User Guide & Warranty

1200W Router



After Sales Support

Now you have purchased a Power Craft product you can rest assured in the knowledge that as well as your 3 year parts and labour warranty you have the added peace of mind of dedicated helplines and web support.

AFTER SALES SUPPORT

UK / NORTHERN IRELAND HELPLINE: 0870 7323023
REPUBLIC OF IRELAND HELPLINE: 1800 481005
WEB SUPPORT: WWW.OMEGAWOLF.COM/POWERCRAFT
MODEL NUMBER: PBF-1200

Contents

- 03 Introduction
- 04 Machine specifications
- 06 Safety instructions
 - General safety instructions
 - Additional safety instructions
- 10 Assembly
 - Mounting and removing cutters
 - Adjusting the parallel fence ruler
 - Mounting the guide bush
 - Mounting the adapter for dust extraction
 - The ON/OFF switch
 - Usage tips
- 13 Operation
 - Height setting of the router column
 - Setting the plunge depth
 - Adjustment using the revolver- depth stop
- 16 Maintenance
- 18 Exploded view
- 19 Warranty

Warranty

EC DECLARATION OF CONFORMITY



We Ferm B.V.
Lingenstraat 6, 8028 PM Zwolle, The Netherlands
declare that the design and construction of the following machine, in the form supplied by us, comply with the requirements of the appropriate EC directives.
Product Description: **1200W Router**
Model: **PBF-1200**
Appropriate EC directives: **98/37EEC, 73/23EEC, 89/336/EEC, 2002/95/EC, 2002/96/EC**
Applicable harmonised norms: **EN60745-1, EN60745-2-17, EN55014-1, EN55014-2, EN61000-3-2, EN61000-3-3**

J.A. Bakker - van Ingen
CEO Ferm B.V.

J. Lodewijk
Quality Manager Ferm Global

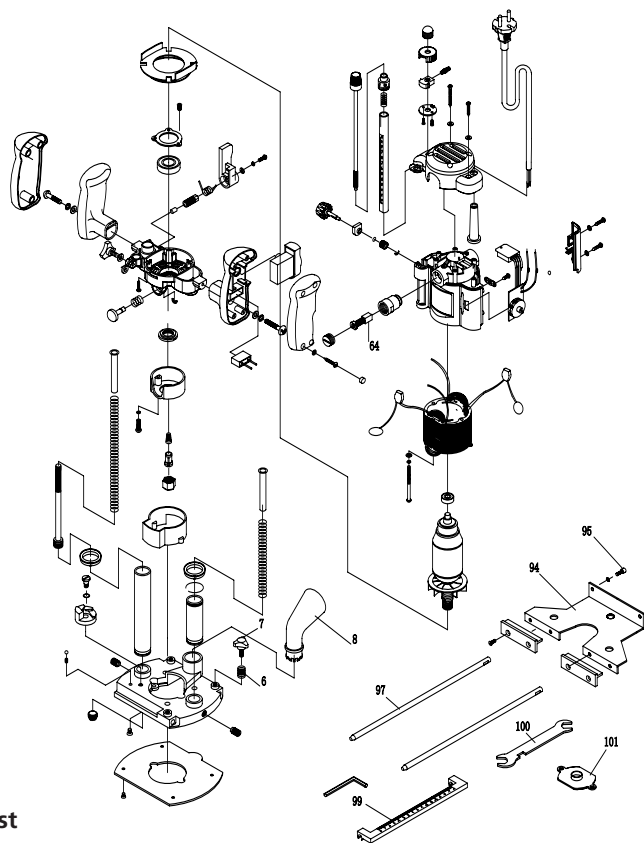
10/2007

WARRANTY CERTIFICATE



Year of manufacture: 00/2007 Router PBF-1200
Congratulations! You have made an excellent choice with the purchase of this Quality product. Our commitment to quality also includes our service. Should you, contrary to expectations, experience defects due to material or manufacturing faults during private use within 36 months of the date of purchase we shall be liable for warranty in accordance with statutory warranty regulations, provided that: - The device was not put to any use other than the intended.- Was not overloaded. - Was not used with the wrong accessories. - Repairs where not carried out by any other than the authorised workshop. The warranty certificate is only valid in connection with the receipt. Please keep both in a safe place. The warranty does not affect your statutory rights.
The product is guaranteed for a period of three years beginning on the day of purchase. Keep your purchase receipt safe as proof of the date of purchase. The guarantee period can only be extended for the duration of any repair required.
During the warranty period, defective devices can be sent **FREIGHT PREPAID** to the service address stated at the end of this booklet. We will, at our discretion either repair or exchange the device in accordance with warranty legislation.
Please include the following when sending in your product for repair:
1. The receipt (proof of purchase)
2. This warranty certificate with your name, address, contact details and a fault description completed overleaf.
If the original receipt is not enclosed the repair will be charged for in all cases. After the warranty has expired you can still send defective devices for repairs **FREIGHT PREPAID** to the address at the end of this booklet. Quotes as well as repairs after warranty period are to be paid for in all cases. Ensure the product is sent well packed as no responsibility can be accepted for items lost or damaged in transit. This warranty does not affect your statutory rights.

Exploded view



Parts list

No.	Description	Position
302112	Locking knob with spring	6 + 7
302111	Dust extraction	8
302123	Carbon brush (set)	64
302114	Parallel guide	94
302005	Guiding rod (set)	95 + 97 (2x)
302121	Ruler	99
302133	Collet wrench	100
302122	Template ring	101

Introduction

Congratulations on choosing to buy a PowerCraft product.

By doing so you now have the assurance and peace of mind that comes with purchasing a product made by one of Europe's leading manufacturers.

All products brought to you by PowerCraft are manufactured to the highest standards of performances and safety, and, as part of our philosophy for customer service and satisfaction, are backed by our comprehensive 3 Year Warranty.

We hope you will enjoy using your purchase for many years to come.



For your own safety and for the safety of others, please read these instructions carefully before using this appliance. It will help you understand your product more easily and avoid unnecessary risks. Keep this instruction manual in a safe place for future use.

Introduction

The router has been designed for professional routing of wood and wood products. Check the machine, for loose parts and accessories from transport damage.

Machine specifications

Technical specifications

Voltage	230 V~
Frequency	50 Hz
Power input	1200 W
No load speed	9000-30000/min
Max. cutter diameter	30 mm
Cutting depth	30 mm
Collet	6 & 8 mm
Weight	4.7 kg
Lpa (sound pressure)	90.9 dB(A)
Lwa (sound power)	101.9 dB(A)
Vibration value	1.77 m/s ²

Product information



Fig. A1

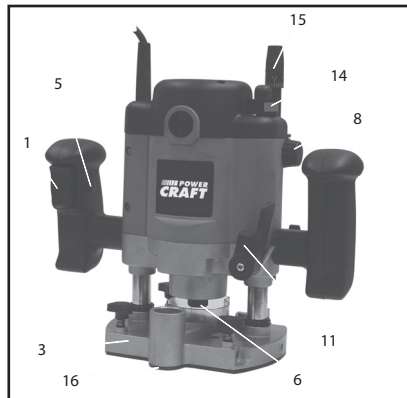


Fig. A2

Maintenance

Faults

Should a fault occur, e.g. after wear of a part, please contact the address on the warranty card. In the back of this manual you find an exploded view showing the parts that can be ordered.

Environment

In order to prevent the machine from damage during transport, it is delivered in a sturdy packaging. Most of the packaging materials can be recycled. Take these materials to the appropriate recycling locations.



Faulty and/or discarded electrical or electronic apparatus have to be collected at the appropriate recycling locations.

Maintenance



Make sure that the machine is not live when carrying out maintenance work on the motor.

The machines have been designed to operate over a long period of time with a minimum of maintenance. Continuous satisfactory operation depends upon proper machine care and regular cleaning.

Cleaning

Regularly clean the machine housing with a soft cloth, preferably after each use. Keep the ventilation slots free from dust and dirt. If the dirt does not come off use a soft cloth moistened with soapy water. Never use solvents such as petrol, alcohol, ammonia water, etc. These solvents may damage the plastic parts.

Troubleshooting

On the next page please find some potential causes and solutions to possible failure.

<ul style="list-style-type: none">• The operating switch is switched on, but the motor is not working	<ul style="list-style-type: none">• The electric circuit is broken• Wires in the mains plug or in the socket are loose• The switch is faulty	<ul style="list-style-type: none">• Have the electric circuit repaired• Have socket and plug checked or repaired• Have the switch repaired
<ul style="list-style-type: none">• Router runs slowly	<ul style="list-style-type: none">• Blunt or damaged cutter• Variable speed set low• Motor is overloaded	<ul style="list-style-type: none">• Re-sharpen or replace cutter• Increase variable speed• Reduce pushing force on router
<ul style="list-style-type: none">• Excessive vibration	<ul style="list-style-type: none">• Bent cutter shank	<ul style="list-style-type: none">• Replace cutter
<ul style="list-style-type: none">• Sparks inside the housing	<ul style="list-style-type: none">• Carbon brushes are worn	<ul style="list-style-type: none">• Replace the carbon brushes

Machine specifications

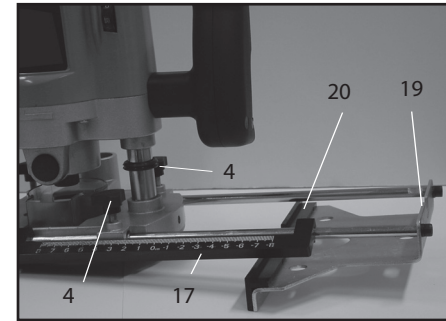


Fig. C

1. On/off switch (Fig. A, page 4)
2. Handle (Fig. A, page 4)
3. Base plate (Fig. A, page 4)
4. Fixing screws for parallel fence (Fig. A, page 4)
5. Switch lock (Fig. A, page 4)
6. Collet nut (Fig. A, page 4)
7. Spindle lock (Fig. A, page 4)
8. Plunge depth adjustment button (Fig. A, page 4)
9. Wing bolt for depth stop (Fig. A, page 4)
10. Depth stop (Fig. A, page 4)
11. Clamping lever (Fig. A, page 4)
12. Plunge depth scale (Fig. A, page 4)
13. Adjusting wheel for electronics speed control (Fig. A, page 4)
14. Height adjustment button (Fig. A, page 4)
15. Plunge depth fine-tuning button (Fig. A, page 4)
16. Dust extraction facility (Fig. A, page 4)
17. Parallel fence ruler (Fig. A, page 4)
18. Zero mark (Fig. A, page 4)
19. Parallel fence (Fig. A, page 4)
20. Guide rod (Fig. C, page 5)
21. Depth stop revolver (Fig. G, page 14)

Contents

1. Machine data
2. Safety instructions
3. Mounting accessories
4. Operation
5. Maintenance

Safety instructions

The following symbols are used in these instructions for use:



Read the instructions carefully.



Conformity with the relevant EU safety directives.



Class II machine - double insulation - earth connection not required.



Danger of life and risk of injury as well as risk of damage to the machine in case of non-adherence to the safety instructions in these instructions of use.



Danger of electric shock.



Remove the plug from the mains socket.



Variable speed control



Wear ear and eye protection



Faulty and/or discarded electrical or electronic machines have to be collected at the appropriate recycling locations.

General safety instructions

Caution! Read all instructions. The non-observation of the instructions mentioned below may cause an electric shock, fire and/or severe injuries. The term “electric tool” mentioned below refers to mains-operated electric tools (with power cord) and to rechargeable electric tools (without power cord). Keep these instructions for use in a safe place.

1) Workplace

- (a) Keep your workplace clean and tidy. Untidy and badly illuminated work areas may lead to accidents.

Operation

depth is set correctly, the groove in question can be routed accurately to within 0.1 mm.

Preparation:

- Place the desired cutter in the tool.
- Loosen the clamping lever (11). The router can then be pushed down against the spring force.
- Push the tool down until the cutter touches the workpiece, then relock it using the clamping lever (11).
- Loosen button 9 (counter-clockwise).
- Set button 15 to zero.
- Use button 8 to set the depth all the way down.
- Tighten button 9 (clockwise). The plunge depth is now set to precisely 0 mm.

Rough setting:

- Read the value from the scale (12).
- Loosen button 9 (counter-clockwise).
- Turn button 8 and re-read the value from the scale. The difference between the two values is the plunge depth setting. For example: If the value on the scale (12) is 8.5 in the zero-setting and the value is 7.0 after button (8) has been turned, then the plunge depth has been set to 1.5 cm.
- Retighten button 9 (clockwise).

Fine adjustment:

- Loosen button 9 (counter-clockwise).
- The top button (15) is still set to zero. Give this button a full counter-clockwise turn, until it is back in the zero position. The plunge depth is now 1.0 mm less.
- If required, the plunge depth can be set accurately to within 0.1 mm.
- Retighten button 9.

Adjustment using the revolver-depth stop

The revolver-depth stop enables you to quickly choose between six different cutting depths. These are also determined by the adjustment of the depth stop (10).

- Adjust the required cutting depth by rotating the revolver-depth stop (21).

Operation

Height setting of the router column

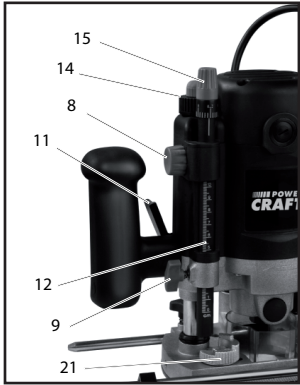


Fig. G

Button (14) is used to set the maximum height of the router. The plunge depth is then fixed. This is usually necessary when using the tool on a special router table.

Rough setting:

- Loosen the clamping lever (11). The router can then be pushed down against the spring force.
- Hold button (14) between your thumb and index finger.
- Push the grey button (14) and use your other hand to push the router down at the same time.
- Release the button. The router is now locked and will no longer return to its original position.

Fine adjustment:

- Turn button (14) clockwise. This causes the router column to slowly move down.
- Turn button (14) counter-clockwise. This causes the router column to slowly move up.

Setting the plunge depth

Fig. G

The plunge depth can be adjusted by using buttons 8, 9, 11 and 15. If the plunge

Safety instructions

- (b) Do not operate this machine in potentially explosive environments containing combustible liquids, gases or dusts. Electric tools send out sparks which may ignite dust or vapours.
- (c) Keep children and other persons away from the electric tool during use. When distracted, you may lose control over the apparatus.

2) Electric safety

- (a) The plug of the machine has to be suitable for the socket. The connector may not be modified in any way. Do not use an adapter plug together with earthed devices. Unchanged connectors and fitting sockets reduce the risk of an electric shock.
- (b) Avoid body contact to earthed surfaces, such as pipes, radiator, stoves and refrigerators. There is a higher risk of an electric shock, if your body is earthed.
- (c) Keep the machine clear of rain or humidity. The penetration of water into an electrical device increases the risk of an electric shock.
- (d) Do not use the cable for unintended purposes, to carry or suspend the machine or to pull the connector out of the socket. Keep the cable clear of heat, oil, sharp edges or any moving parts. Damaged or entangled cables increase the risk of an electric shock.
- (e) When using an electric tool in the open, use an extension cable only which has been approved for outdoor use. The use of an extension cable suitable for use in the open will reduce the risk of an electric shock. Always use an RCD (residual current device or circuit breaker).
- (f) Hold the machine at the insulated gripping surfaces as the belt grinder may hit its own power cord. Damaging a live cable may make metal machine parts live, which may lead to an electric shock.

3) Personal safety

- (a) Please pay attention and watch what you are doing, and carry out the work with the electric tool sensibly. Do not use the machine, when you are tired or under the influence of drugs, alcohol or medicine. A moment of carelessness in the use of the machine could lead to serious injuries.
- (b) Wear your safety equipment and always put on safety goggles. Wearing personal protective gear, such as dust mask, anti-skid safety shoes, hard hat and ear protection, depending on the type of use of the electric tool, will reduce the risk of injury.
- (c) Avoid unintentional operation. Make sure that the switch is in the "OFF" position before you remove the plug from the socket. If you have

Safety instructions

your finger on the switch when carrying the machine or if you connect the running machine to the socket, this may lead to accidents.

- (d) Remove the adjusting tools or the spanners before switching on the machine. A tool or a key which is located in a revolving part of the machine may lead to injuries.
- (e) Concentrate at all times. Ensure a safe stand and keep your balance at all times. In this case you will be able to control the machine better in unexpected situations.
- (f) Wear suitable clothing. Do not wear any loose clothing or jewellery. Keep your hair, clothing and gloves clear of any moving parts.
- (g) If dust extraction or collection devices can be mounted, make sure that they are connected properly and are used in the proper way. The use of these pieces of equipment reduce hazards caused by dust.

4) Careful handling and use of electric tools

- (a) Use the correct tool for the job at hand.
- (b) Do not use an electric tool, if the switch is defective. An electric tool, which cannot be switched on or off, is dangerous and has to be repaired.
- (c) Remove the plug from the socket before setting down the machine, changing accessories or putting the machine aside. This precautionary measure prevents the unintentional start of the machine.
- (d) Keep unused electric tools out of reach of children. Do not permit persons to use the machine who are not familiar with it or who have not read these instructions. Electric tools are dangerous, if they are used by inexperienced persons.
- (e) Maintain the machine with care. Please check whether the movable parts are perfectly operational and do not jam, whether parts have broken or have been damaged in such a way that the function of the machine is impaired. Have damaged parts repaired prior to using the machine. Many accidents are caused by electric tools which are poorly maintained.
- (f) Keep all cutting tools sharp and clean.
- (g) Use the electric tool, the accessories, the insert tools, etc according to these instructions, and in the way described for this special type of apparatus. In the process, take the working conditions and the work to be carried out into consideration. Only use this belt sander for the purpose for which it is intended.
- (h) Use clamps or vice to hold work. It is safer than using your hands and frees both hands to operate the tool.

Operation

The ON/OFF switch

- To switch on the tool, press and hold the on/off switch (1, Fig. A1, page 4).
- If you release the on/off switch (1, Fig. A1, page 4), the tool will be switched off.
- You can lock the on/off switch by pressing the on/off switch (1, Fig. A1, page 4) and then button (5, Fig. A1, page 4). The switch lock can be released by briefly pressing the on/off switch (1, Fig. A1, page 4).
- Do not put the machine down when the motor is still running. Do not place the machine on a dusty surface. Dust particles may enter the mechanism.

Usage tips

- Hold the machine in rest position on the workpiece when switching the machine on or off. Otherwise the cutter in the collet may damage the workpiece. The cutter in the collet may damage the workpiece.
- Clamp the workpiece and make sure that the workpiece cannot slide from under the machine during the cutting activities.
- Hold the machine firmly and move it evenly over the workpiece. Do not force the machine.
- Only use cutters which do not show any signs of wear. Worn cutters have a negative effect on the efficiency of the machine.
- Always switch off the machine first before removing the plug from the wall socket.

Assembly

Mounting the adapter for dust extraction

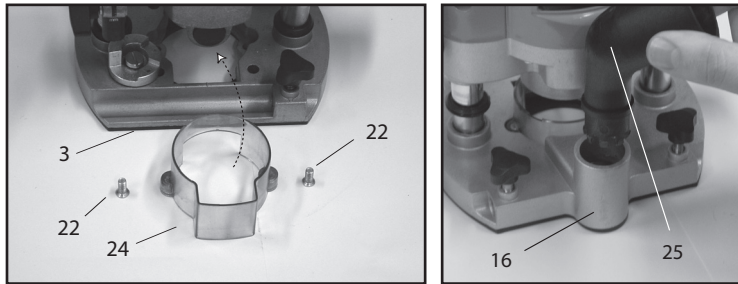


Fig. E

Fig. F

Use the dust adapter for the extraction of dust.

- Mount the dust adapter (24, Fig. E) with the screws (22) on the cutter sole (3).
- Place the dust tube (25) in the dust output (16 Fig. F).
- Place the tube of your vacuum cleaner on the dust tube (25, Fig. F).



Keep the outlet of the machine behind the machine for a good view on the workpiece.

Safety instructions

5) Servicing

- (a) Have your machine repaired by qualified expert staff using original spare parts only.
- (b) Caution! The use of accessories or add-on devices other than those recommended in these instructions may mean a risk of injury. Use original spare parts only.

Additional safety instructions

- Please check workpieces for any obstructions on the surface of the material, such as protruding nails etc., to protect the router head.
- Wait until the router has come to a complete stop before removing any blocked or routed material around the cutter. Use a long stick for this and not your finger.
- Please keep your hands away from the routing surface.
- Immediately switch off the tool if it starts producing any unusual noise or starts vibrating excessively.



Always check that the power supply corresponds to the voltage on the rating plate.



Your machine is double insulated, therefore no earthwire is required.

- Immediately throw away old cables or plugs when they have been replaced by new ones. It is dangerous to insert the plug of a loose cable in the wall outlet.
- Only use an approved extension cable suitable for the power input of the machine. The minimum conductor size is 1.5 mm². When using a cable reel always unwind the reel completely.



Prior to mounting an accessory always unplug the tool.



Wait until the machine has come to a complete standstill and the cutter has cooled down before replacing a cutter.

Assembly

Mounting and removing cutters

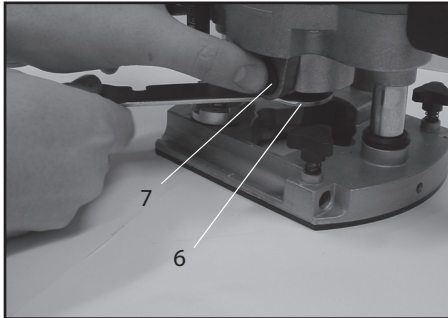


Fig. B

Only use cutters with a shaft diameter which corresponds with the size of the collet. Only use cutters which are suited for the maximum speed of the machine. The cutter diameter should not exceed the maximum diameter (see 'Technical specifications').

- Press the spindle lock (7) and turn the collet nut (6) until it engages in the lock. Keep the spindle lock pressed during this procedure.
- Open the collet nut using the wrench.
- Place the cutter shaft in the collet.
- Tighten the collet nut so that the cutter is locked properly.
- Open the collet nut when you want to replace a cutter.

Adjusting the parallel fence ruler

The parallel fence is a useful tool for precision routing at a fixed distance from the edge of the workpiece.

- Place the desired cutter in the tool.
- Loosen the clamping lever (11, Fig A1, page 4).
- Push the tool down until the cutter sticks out from the base plate, then retighten the clamping lever (11, Fig A1, page 4).
- Place the router onto the workpiece in such a manner that the cutter touches the side of the workpiece. Please ensure that the furthest protruding part of the cutter touches the workpiece (by turning the cutter if necessary).
- Slide the provided guide rods (20, Fig. C, page 5) into the appropriate holes.

Assembly

- Slide the parallel fence onto the mounted rods until it is in full contact with the workpiece. The zero-position is now set.
- Attach the ruler (17, Fig. C, page 5) to the rod of the parallel guide. The zero on the ruler must be aligned with the zero mark (18, Fig. A1, page 4).
- Loosen the parallel fence fixing screw (4, Fig. C, page 5) and move the fence until the desired setting has been reached. Important: when adjusting the parallel fence, please take into account the diameter of the cutter.
- Retighten the fixing screw (4, Fig. C, page 5).

Mounting the guide bush

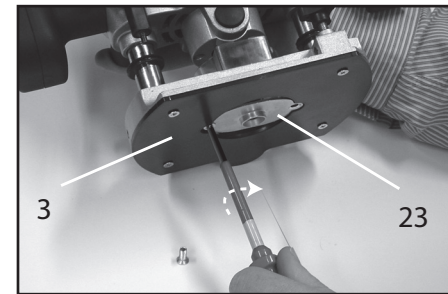


Fig. D

The guide bush is a handy aid for cutting a pattern.

- Mount the guide bush (23) on the router base (3) using the screws (22).

Free Manuals Download Website

<http://myh66.com>

<http://usermanuals.us>

<http://www.somanuals.com>

<http://www.4manuals.cc>

<http://www.manual-lib.com>

<http://www.404manual.com>

<http://www.luxmanual.com>

<http://aubethermostatmanual.com>

Golf course search by state

<http://golfingnear.com>

Email search by domain

<http://emailbydomain.com>

Auto manuals search

<http://auto.somanuals.com>

TV manuals search

<http://tv.somanuals.com>