

# Where Do I Find Everything I Need for Process Measurement and Control? OMEGA...Of Course!

## TEMPERATURE

- Thermocouple, RTD & Thermistor Probes, Connectors, Panels & Assemblies
- Wire: Thermocouple, RTD & Thermistor
- Calibrators & Ice Point References
- Recorders, Controllers & Process Monitors
- Infrared Pyrometers

## PRESSURE, STRAIN AND FORCE

- Transducers & Strain Gauges
- Load Cells & Pressure Gauges
- Displacement Transducers
- Instrumentation & Accessories

## FLOW/LEVEL

- Rotameters, Gas Mass Flowmeters & Flow Computers
- Air Velocity Indicators
- Turbine/Paddlewheel Systems
- Totalizers & Batch Controllers

## pH/CONDUCTIVITY

- pH Electrodes, Testers & Accessories
- Benchtop/Laboratory Meters
- Controllers, Calibrators, Simulators & Pumps
- Industrial pH & Conductivity Equipment

## DATA ACQUISITION

- Data Acquisition & Engineering Software
- Communications-Based Acquisition Systems
- Plug-in Cards for Apple, IBM & Compatibles
- Datalogging Systems
- Recorders, Printers & Plotters

## HEATERS

- Heating Cable
- Cartridge & Strip Heaters
- Immersion & Band Heaters
- Flexible Heaters
- Laboratory Heaters

## ENVIRONMENTAL MONITORING AND CONTROL

- Metering & Control Instrumentation
- Refractometers
- Pumps & Tubing
- Air, Soil & Water Monitors
- Industrial Water & Wastewater Treatment
- pH, Conductivity & Dissolved Oxygen Instruments

M-1972 / 0602



<http://www.omega.com>  
e-mail: [info@omega.com](mailto:info@omega.com)



## LV-510 Series Single Station Vertical Float

**WARNING:** These products are not designed for use in, and should not be used for, patient connected applications. The information contained in this document is believed to be correct but OMEGA Engineering, Inc. accepts no liability for any errors it contains, and reserves the right to alter specifications without notice.

It is the policy of OMEGA to comply with all worldwide safety and EMC/CEM1 regulations that apply. OMEGA is constantly pursuing certification on its products to the European New Approach Directives. OMEGA will add the CE mark to every appropriate device upon certification.

OMEGA is a registered trademark of OMEGA ENGINEERING, INC. All rights reserved. This document may not be reproduced, photocopied, translated or related to any electronic medium or machine-readable form, in whole or in part, without prior written consent of OMEGA ENGINEERING, INC.

OMEGA's policy is to make running changes, whenever an improvement is possible, problems relative to the product.

3. Repair instructions and/or specific problems relative to the product.

2. Model and serial number of product, and of the repair.

1. P.O. number to cover the COST BEFORE contacting OMEGA.

FOR NON-WARRANTY REPAIRS, please have the following information available BEFORE contacting OMEGA.

OMEGA for current repair charges. Have the following information available BEFORE contacting OMEGA.

FOR NON-WARRANTY RETURNS, please have the following information available BEFORE DEPARTMENT (IN ORDER TO AVOID PROCESSING DELAYS). The assigned AR number should then be marked on the outside of the return package and on any correspondence.

The purchaser is responsible for shipping charges, freight, insurance and proper packaging to prevent breakage in transit.

Direct all warranty and repair requests/inquiries to the OMEGA Customer Service Department. RETURN REQUESTS / INQUIRIES

Obtain an AUTHORIZED RETURN (AR) NUMBER FROM OMEGA'S CUSTOMER SERVICE DEPARTMENT (IN ORDER TO AVOID PROCESSING DELAYS). The assigned AR number should then be marked on the outside of the return package and on any correspondence.

CONTRACTS: Equipment sold by OMEGA is not intended to be used, nor shall it be used, in a "Basic Component" under 10 CFR 21 (NRC), used in or with any nuclear installation or activity, or (2) in medical applications or used on humans. Should any Product(s) be used in or with any nuclear installation or activity, the purchaser shall be held responsible for the purchase price of the component, and additionally, purchaser will indemnify OMEGA as set forth in our basic WARRANTY/DISCLAIMER language, and assume no responsibility as set forth in our OMEGA disclaimer.

Such a manner. OMEGA warrants from any liability or damage whatsoever arising out of the use of the Product(s) upon purchase.

OMEGA's WARRANTY does not apply to defects resulting from any action of the purchaser, including but not limited to mishandling, improper operation outside of design limits, improper repair, or unauthorized modification. This WARRANTY is VOID if the unit shows evidence of having been tampered with or repaired. OMEGA warrants only that the parts manufactured by it will be as specified and free of defects from the use of its products in accordance with information provided by OMEGA, either verbal or written. OMEGA assumes responsibility for any omissions or errors in information provided by OMEGA, either verbal or written.

Components which wear are not warranted, including but not limited to contact points, fuses, and traces. OMEGA is pleased to offer suggestions on the use of its various products. However, OMEGA neither assumes responsibility for any omissions or errors in information provided by OMEGA, either verbal or written.

CONTRACTS: Equipment sold by OMEGA is not intended to be used, nor shall it be used, in a "Basic Component" under 10 CFR 21 (NRC), used in or with any nuclear installation or activity, or (2) in medical applications or used on humans. Should any Product(s) be used in or with any nuclear installation or activity, the purchaser shall be held responsible for the purchase price of the component, and additionally, purchaser will indemnify OMEGA as set forth in our OMEGA disclaimer.

Such a manner. OMEGA warrants from any liability or damage whatsoever arising out of the use of the Product(s) upon purchase.

OMEGA's WARRANTY does not apply to defects resulting from any action of the purchaser, including but not limited to mishandling, improper operation outside of design limits, improper repair, or unauthorized modification. This WARRANTY is VOID if the unit shows evidence of having been tampered with or repaired. OMEGA warrants only that the parts manufactured by it will be as specified and free of defects from the use of its products in accordance with information provided by OMEGA, either verbal or written. OMEGA assumes responsibility for any omissions or errors in information provided by OMEGA, either verbal or written.

Components which wear are not warranted, including but not limited to contact points, fuses, and traces. OMEGA is pleased to offer suggestions on the use of its various products. However, OMEGA neither assumes responsibility for any omissions or errors in information provided by OMEGA, either verbal or written.

CONTRACTS: Equipment sold by OMEGA is not intended to be used, nor shall it be used, in a "Basic Component" under 10 CFR 21 (NRC), used in or with any nuclear installation or activity, or (2) in medical applications or used on humans. Should any Product(s) be used in or with any nuclear installation or activity, the purchaser shall be held responsible for the purchase price of the component, and additionally, purchaser will indemnify OMEGA as set forth in our OMEGA disclaimer.

Such a manner. OMEGA warrants from any liability or damage whatsoever arising out of the use of the Product(s) upon purchase.

OMEGA's WARRANTY does not apply to defects resulting from any action of the purchaser, including but not limited to mishandling, improper operation outside of design limits, improper repair, or unauthorized modification. This WARRANTY is VOID if the unit shows evidence of having been tampered with or repaired. OMEGA warrants only that the parts manufactured by it will be as specified and free of defects from the use of its products in accordance with information provided by OMEGA, either verbal or written. OMEGA assumes responsibility for any omissions or errors in information provided by OMEGA, either verbal or written.

Components which wear are not warranted, including but not limited to contact points, fuses, and traces. OMEGA is pleased to offer suggestions on the use of its various products. However, OMEGA neither assumes responsibility for any omissions or errors in information provided by OMEGA, either verbal or written.

CONTRACTS: Equipment sold by OMEGA is not intended to be used, nor shall it be used, in a "Basic Component" under 10 CFR 21 (NRC), used in or with any nuclear installation or activity, or (2) in medical applications or used on humans. Should any Product(s) be used in or with any nuclear installation or activity, the purchaser shall be held responsible for the purchase price of the component, and additionally, purchaser will indemnify OMEGA as set forth in our OMEGA disclaimer.

Such a manner. OMEGA warrants from any liability or damage whatsoever arising out of the use of the Product(s) upon purchase.

OMEGA's WARRANTY does not apply to defects resulting from any action of the purchaser, including but not limited to mishandling, improper operation outside of design limits, improper repair, or unauthorized modification. This WARRANTY is VOID if the unit shows evidence of having been tampered with or repaired. OMEGA warrants only that the parts manufactured by it will be as specified and free of defects from the use of its products in accordance with information provided by OMEGA, either verbal or written. OMEGA assumes responsibility for any omissions or errors in information provided by OMEGA, either verbal or written.

Components which wear are not warranted, including but not limited to contact points, fuses, and traces. OMEGA is pleased to offer suggestions on the use of its various products. However, OMEGA neither assumes responsibility for any omissions or errors in information provided by OMEGA, either verbal or written.

CONTRACTS: Equipment sold by OMEGA is not intended to be used, nor shall it be used, in a "Basic Component" under 10 CFR 21 (NRC), used in or with any nuclear installation or activity, or (2) in medical applications or used on humans. Should any Product(s) be used in or with any nuclear installation or activity, the purchaser shall be held responsible for the purchase price of the component, and additionally, purchaser will indemnify OMEGA as set forth in our OMEGA disclaimer.

Such a manner. OMEGA warrants from any liability or damage whatsoever arising out of the use of the Product(s) upon purchase.

OMEGA's WARRANTY does not apply to defects resulting from any action of the purchaser, including but not limited to mishandling, improper operation outside of design limits, improper repair, or unauthorized modification. This WARRANTY is VOID if the unit shows evidence of having been tampered with or repaired. OMEGA warrants only that the parts manufactured by it will be as specified and free of defects from the use of its products in accordance with information provided by OMEGA, either verbal or written. OMEGA assumes responsibility for any omissions or errors in information provided by OMEGA, either verbal or written.

Components which wear are not warranted, including but not limited to contact points, fuses, and traces. OMEGA is pleased to offer suggestions on the use of its various products. However, OMEGA neither assumes responsibility for any omissions or errors in information provided by OMEGA, either verbal or written.

**OMEGA**  
OMEGA.net™ On-Line Service  
<http://www.omega.com>  
Internet e-mail  
[Info@omega.com](mailto:Info@omega.com)

### Servicing North America:

One Omega Drive, Box 4047  
Stamford, CT 06907-0047  
Tel: (203) 359-1660  
Fax: (203) 359-7700  
e-mail: [info@omega.com](mailto:info@omega.com)

976 Belgium  
Laval (Quebec) HTL 5A1  
Tel: (514) 856-6928  
Fax: (514) 856-6888  
e-mail: [canada@omega.com](mailto:canada@omega.com)

**Canada:**

**USA:**

ISO 9001 Certified

**USA and Canada:**

Sales Service: 1-800-826-8342 / 1-800-TC-OMEGA™  
Customer Service: 1-800-622-2378 / 1-800-USA-WHEN™  
Engineering Service: 1-800-872-9438 / 1-800-USA-WHEN™  
TELE: 996404 EASYLINK: 62968934 CABLE: OMEGA

**Mexico and Latin America:**

En Espanol: (203) 359-1660 ext. 2203  
Tel: (95) 800-TC-OMEGA™  
Fax: (95) 203-359-7807  
e-mail: [espanol@omega.com](mailto:espanol@omega.com)

**Benelux:**

Postbus 8034, 1180 LA Amstelveen, The Netherlands  
Tel: (31) 20 641840  
Tel: (31) 20 6434643  
Fax: (31) 20 6434643  
e-mail: [nl@omega.com](mailto:nl@omega.com)

**Czech Republic:**

Ostravska 767, 733 01 Kavyrna  
Tel: 42 (69) 6311899  
Fax: 42 (69) 6311114  
e-mail: [czech@omega.com](mailto:czech@omega.com)

**France:**

9, rue Denis Papin, 78190 Trappes  
Tel: (33) 130-621-4000  
Fax: (33) 130-699-120  
e-mail: [france@omega.com](mailto:france@omega.com)

**Germany/Austria:**

Dahnlestrasse 26, D-75392 Deckenpfromm, Germany  
Tel: 49 (07056) 3017  
Fax: 49 (07056) 8540  
e-mail: [france@omega.com](mailto:france@omega.com)

**United Kingdom:**

25 Swannington Road,  
Broughton Ashley, Leicestershire,  
Le9 6TU, England  
Tel: 44 (161) 777-6611  
Fax: 44 (161) 777-6622  
e-mail: [uk@omega.com](mailto:uk@omega.com)

Toll Free in England: 0800-488-488

ISO 9002 Certified

# SPECIFICATIONS

## Step One

### Specifications:

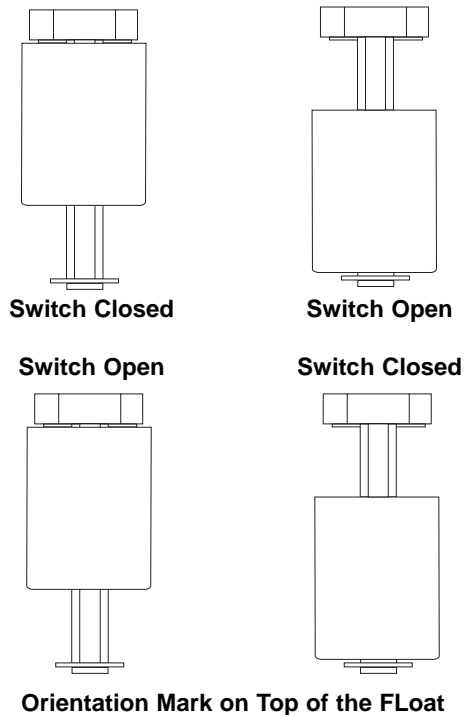
Accuracy:	± 5 mm in water
Repeatability:	± 2 mm in water
Extreme orientation:	±20° from vertical
Specific Gravity Range:	0.8 - 1.2
Reed type:	Dry contact, SPST
Reed rating:	120 VAC, 120 VDC @ 50 VA (CE: 30 Vrms and 42.2 Vpeak or 60 Vdc)
Reed output:	NO or NC
Temperature range:	F: -40° to 194° C: -40° to 90°
Pressure:	10 psi (0.7 bar) max.
Sensor material:	Polypropylene (PP) or Polyvinylidene Fluoride (PVDF)
Mounting threads:	1/8" NPT (1/8" BSP)
Cable type:	2 ft. (61 cm), 2-wire
CE compliance:	EN 50082-2 immunity EN 55011 emission

### Part Number Information:

Part #	Material	Thread
LV-510	PP	1/8" NPT
LV-511	PVDF	1/8" NPT

### Float Orientation:

#### Orientation Mark on Top of the FLoat



#### Orientation Mark on Top of the FLoat

### ⚠ About This Manual:

PLEASE READ THE ENTIRE INSTRUCTION SHEET PRIOR TO INSTALLING OR USING THIS PRODUCT. This Instruction sheet includes information on all models of Vertical Mini-Floats from Omega: LV-510 series. Please refer to the part number located on the sensor label to verify the exact model which you have purchased.

### ⚠ User's Responsibility for Safety:

Omega manufactures a wide range of liquid level sensors and technologies. While each of these sensors is designed to operate in a wide variety of applications, it is the user's responsibility to select a sensor model that is appropriate for the application, install it properly, perform tests of the installed system, and maintain all components. The failure to do so could result in property damage or serious injury.

### ⚠ Proper Installation and Handling:

Because this is an electrically operated device, only properly trained staff should install and/or repair this product. Use a proper sealant with all installations. Never overtighten the sensor within the fitting, beyond being hand tight. Always check for leaks prior to system startup.

### ⚠ Material Compatibility:

The LV-510 series is available in two different wetted materials. Models LV-510 are made of Polypropylene (PP, a polyolefin). Models LV-511 are made of Polyvinylodene Fluoride (PVDF). A Nylon C-ring is also used to secure the float. Make sure that the model which you have selected is compatible with the application liquids. To determine the chemical compatibility between the sensor and its application liquids, refer to the Compass Corrosion Guide, available from Compass Publications (phone 858-589-9636).

### ⚠ Wiring and Electrical:

The Vertical Mini-Float features a two-wire design with a SPST dry contact closure. Electrical wiring of the sensor should be performed in accordance with all applicable national, state, and local codes.

### ⚠ Normally Open/Normally Closed:

The orientation position of the float determines whether the switch is Open or Closed. The top of the float has two concentric circles on each edge of the cylinder. When the float is orientated up, the switch is open when the float is away from the threads and is closed when the float is next to the threads. When the float is orientated down, the switch is closed when the float is away from the threads and is open when the float is next to the threads.

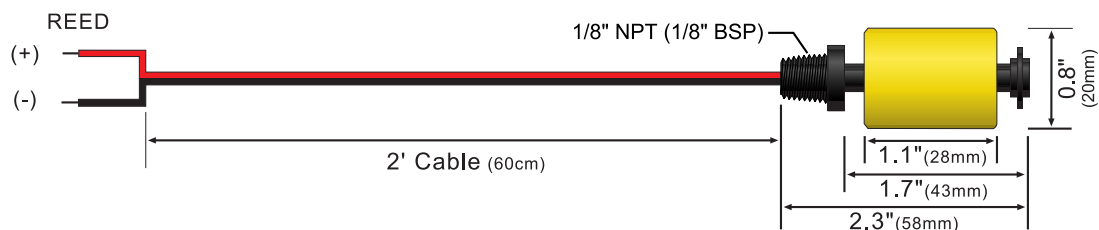
### ⚠ Flammable, Explosive and Hazardous Applications:

The LV-510 series should not be used within flammable or explosive applications. In hazardous applications, use redundant measurement and control points, each having a different sensing technology. Refer to the National Electric Code (NEC) for all applicable installation requirements in hazardous locations.

### ⚠ About Single Station Sensing

Omega's LV-510 series use a magnetic float which rides up and down a stem containing the reed switch. The only moving part is the float. No bearings, packing glands, bellows or electronic gadgets are used. The Vertical Mini-Floats are built rugged to resist shock and vibration. The LV-510 series utilize a low cost, flexible design which allows for vertical mounting at the top or bottom of a tank. The Vertical Mini-Floats can be mounted up, down or up to 20 degrees off vertical.

### Dimensions:



## Free Manuals Download Website

<http://myh66.com>

<http://usermanuals.us>

<http://www.somanuals.com>

<http://www.4manuals.cc>

<http://www.manual-lib.com>

<http://www.404manual.com>

<http://www.luxmanual.com>

<http://aubethermostatmanual.com>

Golf course search by state

<http://golfingnear.com>

Email search by domain

<http://emailbydomain.com>

Auto manuals search

<http://auto.somanuals.com>

TV manuals search

<http://tv.somanuals.com>