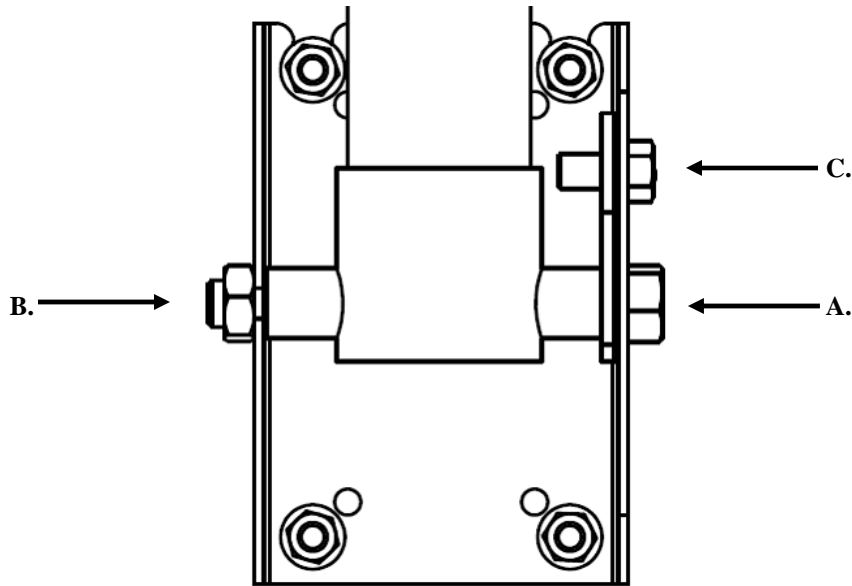


Step 10 — Adjusting Tilt



To adjust tilt

1. Hold A with 3/4" Socket
2. Loosen B with 3/4" Socket
3. Loosen C with 9/16" Socket
4. Position Display
5. Tighten A,B, & C

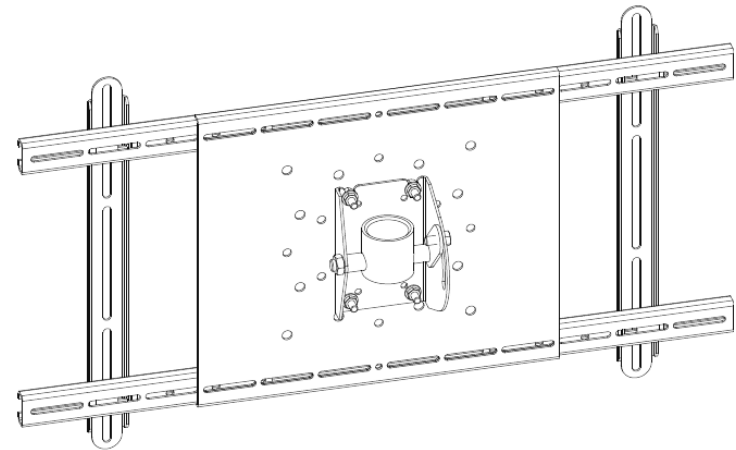
Specifications are subject to change without prior notice.

Every effort has been made to provide accurate and error-free assembly and installation. OmniMount Systems disclaims liability for any difficulties arising from the interpretation of information contained in these instructions. If OmniMount products are used for purposes other than their original intent, OmniMount, its distributors and retailers shall not be held responsible or liable for injuries or property damage, direct, indirect, or consequential, which may arise from the inability to use this product safely, properly, and in the manner for which it has been designed and manufactured. Warranty does not apply to products which have been lost, damaged by misuse, abuse, or accident.

PN —9/05

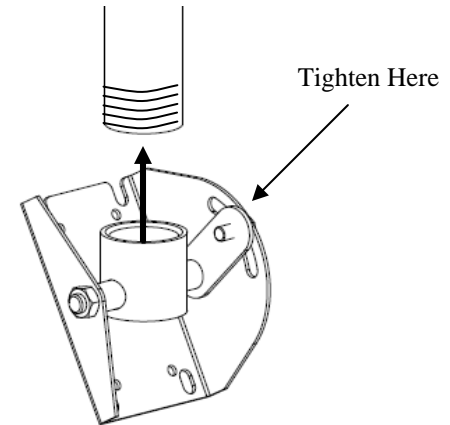
Installation Instructions

TPUM-1: Tilting Pipe Adapter



- Designed for 26" - 55" Flat Panel TV's
- Maximum Weight Capacity: 175 lbs. (79.4 Kg)
- Connects to 1.5" NPT Pipe

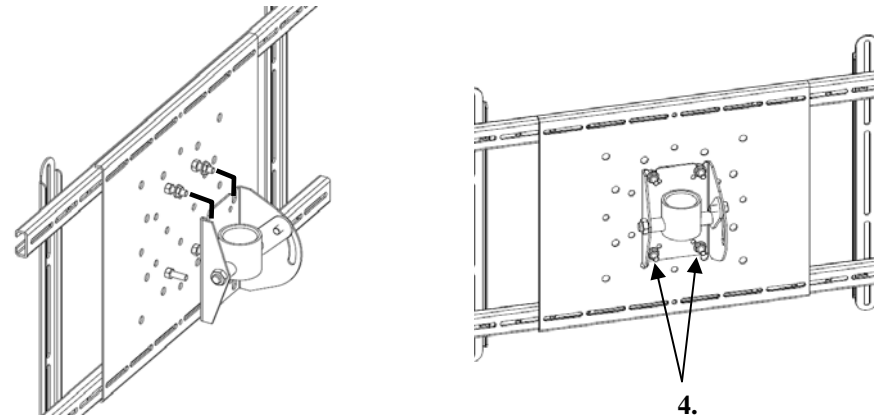
Step 8 — Attaching the Tilt-PA to the Pipe



1. Thread and tighten Tilting Pipe Adapter onto 1.5" NPT Pipe (not included).
2. Tighten Tilt Tension Nut before attaching Adapter.

Step 9 — Attaching the Adapter and Display to the Pipe Adapter

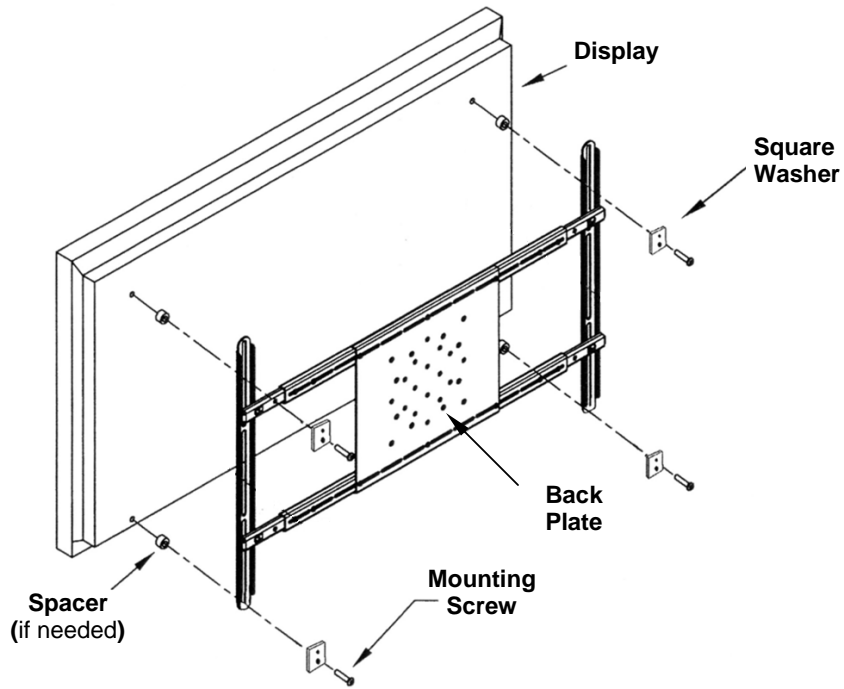
Note: Pipe removed for clarity



3. Align the space between the top Nuts with the grooves in the Tilting Pipe Adapter and gently lower the Adapter.

4. Thread the last Nylock Nuts (2) onto the bottom two Stud Screws.
5. Securely tighten all Nylock Nuts

Step 7 — Attaching the UM1 to the Display



1. Thread Mounting Screw through Square Washer, Rail, Spacer (if needed), and into the Display's Mounting Holes.

NOTE: Ensure Retaining Screws are loose enough to allow for adjustment

2. Center the Back Plate on the Display and securely tighten the Retaining Screws and Mounting Screws

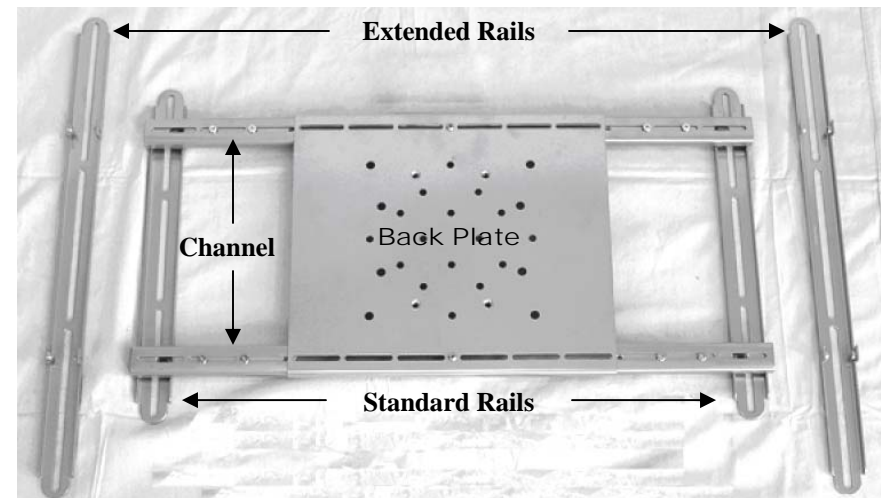
Important

DO NOT over tighten the mounting screws, or the display may be damaged.
NEVER use a power driver to tighten the mounting screws.

Required Tools:

Ratchet and 5/16" Deep Socket
or
5/16" Open Wrench
or
Adjustable Spanner Wrench

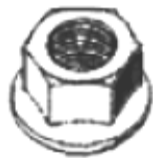
Large Universal Adapter Component Guide



Parts List

ID	Description	Qty
A	Philips Screws M4 x 16mm	4
B	Philips Screws M4 x 36mm	4
C	Philips Screws M4 x 45mm	4
D	Philips Screws M5 x 16mm	4
E	Philips Screws M5 x 36mm	4
F	Philips Screws M5 x 46mm	4
G	Philips Screws M6 x 16mm	4
H	Philips Screws M6 x 36mm	4
I	Philips Screws M6 x 46mm	4
J	Philips Screws M8 x 16mm	4
K	Philips Screws M8 x 36mm	4
L	Philips Screws M8 x 46mm	4
M	5/8" Urethane Spacer	4
N	3/4" Urethane Spacer	4

Description	Qty
6mm x 12mm Screws	8
Square Washer	4
Small Hex Wrench	1
Stud Screws	4
5/16" Flange Nuts	4
5/16" Nylock Jam Nuts	4
Large Hex Wrench	1



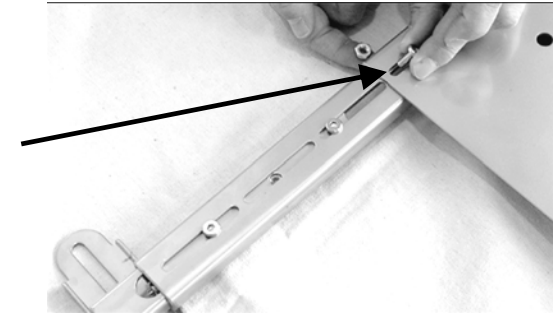
Flange Nut



Nylock Jam Nut

Step 5 — Secure Sliders and Back Plate (continued)

NOTE: The outer corners of the Back Plate must always be secured. Some wide Displays will require the installation of a 6mm Screw and 6mm Lock Nut (not included) to secure the Back Plate.



Step 6 — Hardware Selection

Consult the supplied Hardware Cross Reference list, and locate the appropriate mounting screws (A-L) for your display

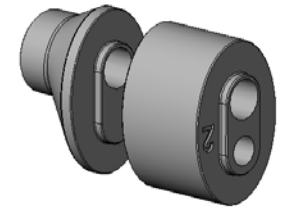
Spacers

Some displays will require the use of a spacer.

There are two spacers provided:

5/8" (16 mm) round nose spacer (M)

3/4" (19 mm) block spacer (N)

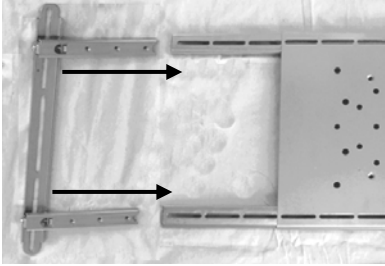


The spacers may be used individually, or may be snapped together to create one large stacked spacer. The spacers have been designed to snap directly into the mounting rail for ease in handling, and also include two different mounting holes to manage the various screw sizes.

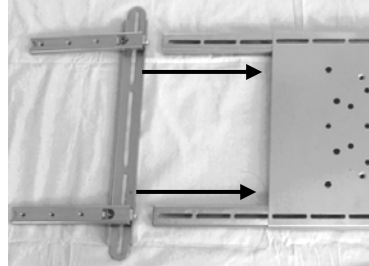
Generally, the 5/8" Spacer (M) is used on displays with slightly curved backs and/or recessed mounting lands. The 3/4" Spacer (N) is used on displays with curved backs, and Stacked Spacers (M&N) will be used on displays with deeply curved backs and/or protruding accessories.

Step 4 — Rail Installation

Standard Configuration

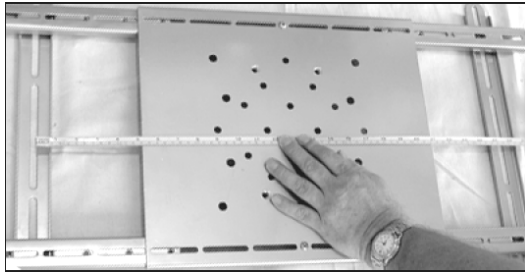


Narrow Configuration

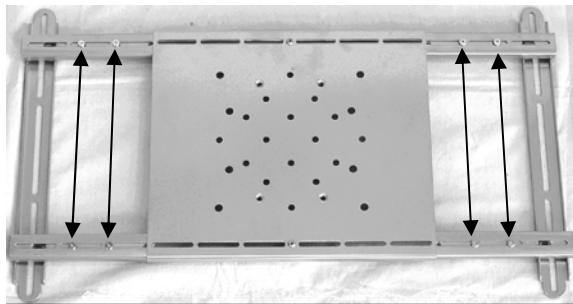


Step 5 — Secure Sliders and Back Plate

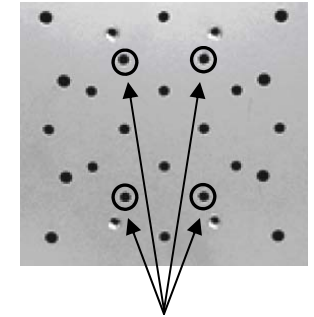
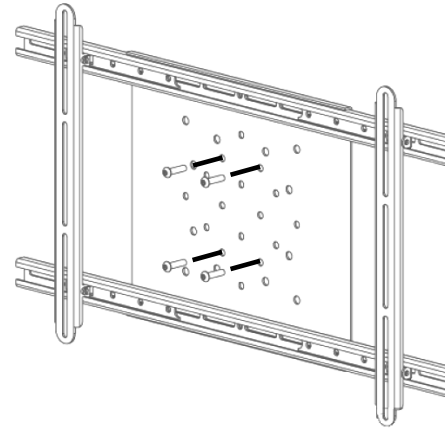
1. Set Rails to horizontal distance between Mounting Holes on Display.



2. Loosely thread Slider Retaining Screws through Channels into Sliders

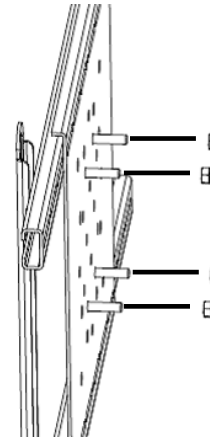


Step 1 — Set Studs in UM-1

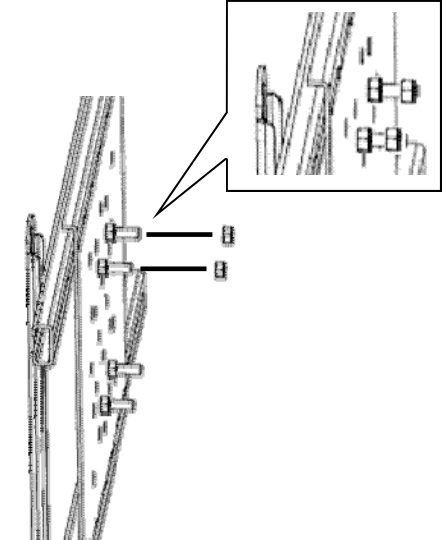


Insert Stud
Screws Here

1. Insert Stud Screws (4) into front of Adapter.



2. Thread Flange Nuts (4)
onto Stud Screws and tighten
using a 5/16" Socket.



3. Thread Nylock Nut (2) onto the
two top Stud Screws leaving space
between Nylock and Flange Nuts.

Step 2 — Determine Rail Selection

Measure the vertical distance between Mounting Holes on Display.

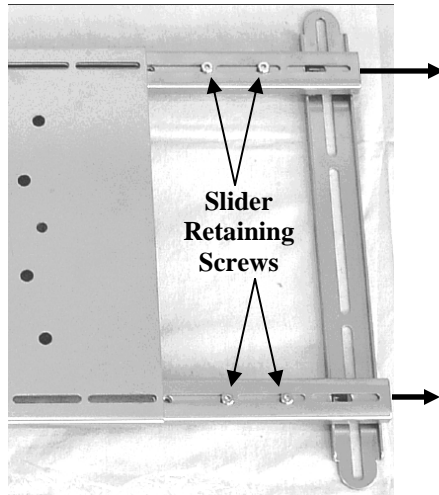
If distance is greater than 19" (48cm) use the supplied Extended Rails.



Extended Rail Installation (only if required)

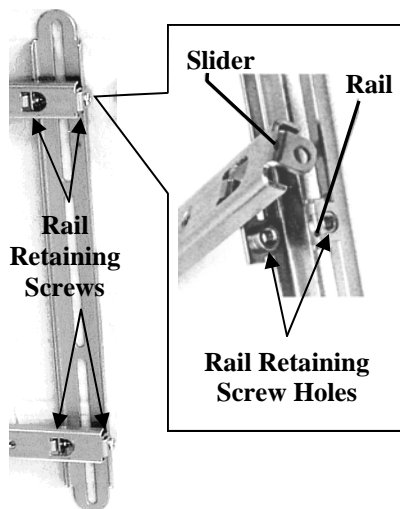
1. Using the Small Hex Wrench unscrew the Slider Retaining Screws (8).

2. Pull to remove the Standard Rail and attached Sliders.



3. Using the Small Hex Wrench unscrew the Rail Retaining Screws (4) and remove the Standard Rail.

4. Replace with the Extended Rail, insert the Rail Retaining Screws and tighten.



Step 3 — Determine Width Configuration

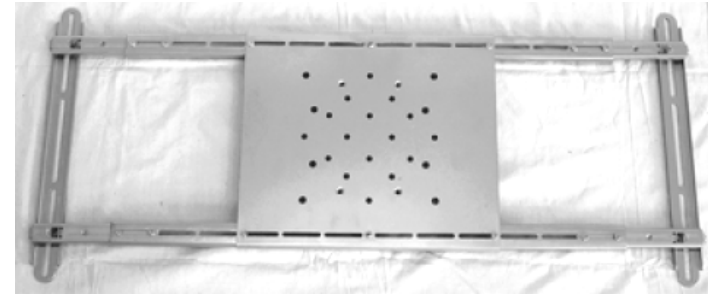
Measure the horizontal distance between Mounting Holes on Display.

See below for Width Configuration details.



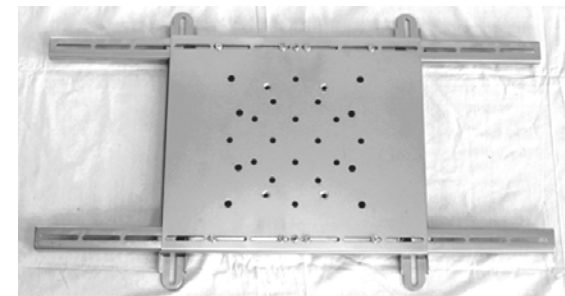
Prior to adjustment, loosen Slider Retaining Screws.

Standard Configuration



Range: 15 3/4" (40cm) to 38 1/2" (98cm)

Narrow Configuration



Range: 3 1/2" (9cm) to 15 1/2" (39cm)

Free Manuals Download Website

<http://myh66.com>

<http://usermanuals.us>

<http://www.somanuals.com>

<http://www.4manuals.cc>

<http://www.manual-lib.com>

<http://www.404manual.com>

<http://www.luxmanual.com>

<http://aubethermostatmanual.com>

Golf course search by state

<http://golfingnear.com>

Email search by domain

<http://emailbydomain.com>

Auto manuals search

<http://auto.somanuals.com>

TV manuals search

<http://tv.somanuals.com>