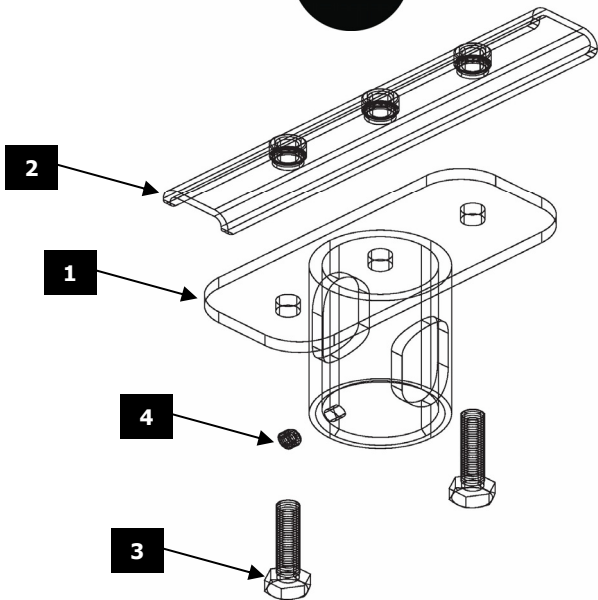


UN-A-B



Part #	Description	Qty
1	MOUNT	1
2	MOUNT PLATE	1
3	HEX SCREW 3/8"-16UNC *1.25"	2
4	BRAKE SCREW 1/4"-20UNC*0.25"	1

Free Manuals Download Website

<http://myh66.com>

<http://usermanuals.us>

<http://www.somanuals.com>

<http://www.4manuals.cc>

<http://www.manual-lib.com>

<http://www.404manual.com>

<http://www.luxmanual.com>

<http://aubethermostatmanual.com>

Golf course search by state

<http://golfingnear.com>

Email search by domain

<http://emailbydomain.com>

Auto manuals search

<http://auto.somanuals.com>

TV manuals search

<http://tv.somanuals.com>