

ONKYO®

Speaker System

D-N10BX

D-N9BX

D-N7BX

Instruction Manual

Thank you for purchasing an Onkyo Speaker System.

Please read this manual thoroughly before using it. Following the instructions in this manual will enable you to obtain optimum performance and listening enjoyment from your new Speaker System.

Please retain this manual for future reference.

Before Using Your New Speakers

- The speaker cabinets are made out of wood and are therefore sensitive to extreme temperatures and humidity. Do not use them in locations subject to direct sunlight or in humid places, such as near an air conditioner, humidifier, bathroom, or kitchen.
- Place the speakers on sturdy, flat surfaces. Putting them on uneven or unstable surfaces where they may fall and cause damage will affect the sound quality.
- Do not keep water or other liquids close to the speakers. If a liquid is spilled over them, the woofer and tweeter inside may be damaged.
- Do not handle the speakers with wet or damp hands.

En

Precautions

In catalogs and on packaging, the letter at the end of the product name indicates the color. Specifications and operation are the same regardless of the color.

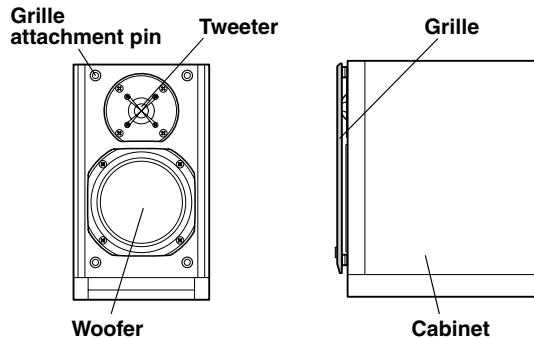
The speakers can handle the specified input power when used for normal music reproduction. If they're fed any of the following signals, even if the input power is within the specified rating, excessive current may flow in the speaker coils, causing burning or wire breakage:

1. Interstation noise from an untuned FM radio.
2. Audio from a cassette that's being fast-forwarded.
3. High-pitched sounds generated by an oscillator, electronic musical instrument, and so on.
4. Amplifier oscillation.
5. Special test tones from audio test CDs and so on.
6. Thumps and clicks caused by connecting or disconnecting audio cables (always turn off your amplifier before connecting or disconnecting cables).
7. Microphone feedback.

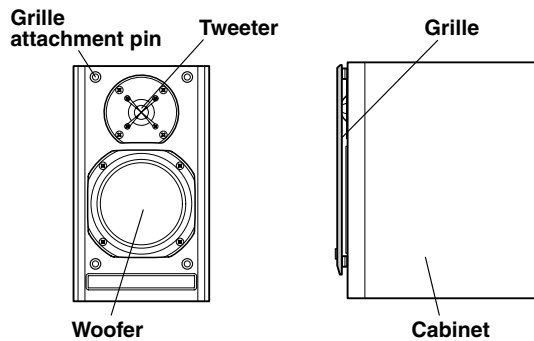
The speakers contain powerful magnets. Do not put metal items, such as screwdrivers, close to the speakers, as they may be attracted toward the magnet, causing injury, or damage to the tweeter diaphragm.

Getting to Know the Speakers

• D-N10BX/D-N9BX



• D-N7BX



The two speakers are identical, so it doesn't matter which one you use on the left or right.

Using Close to a TV or Computer

TVs and computer monitors are magnetically sensitive devices and as such are likely to suffer from discoloration or picture distortion when conventional speakers are placed nearby. To prevent this, the speakers feature internal magnetic shielding. In some situations, however, discoloration may still be an issue. In this case, turn off your TV or monitor, wait 15 to 30 minutes, and then turn it back on again. This normally activates the degaussing function, which neutralizes the magnetic field, thereby removing any discoloration effects. If discoloration problems persist, try moving the speakers away from your TV or monitor. Note that discoloration can also be caused by a magnet or demagnetizing tool that's too close to your TV or monitor.

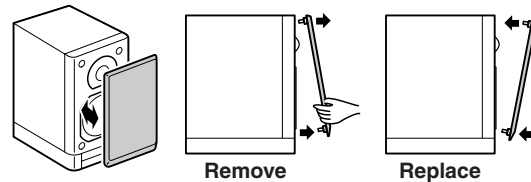
Note:

If the speakers are placed close to a TV or monitor, due to the electromagnetic waves radiated by the TV or monitor, you may hear noise from the speakers even after your amplifier has been turned off. To prevent this, position the speakers away from your TV or monitor.

Removing the Speaker Grilles

You can use the speakers either with or without their grilles, which can be removed as follows.

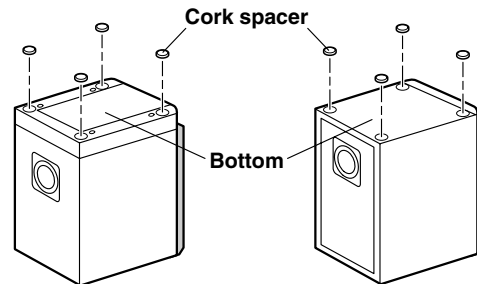
1. Use both hands to gently pull the bottom of the grille away from the speaker.
2. Use both hands to gently pull the top of the grille away from the speaker.
3. To replace the grille, align the four fasteners and gently push the grille toward the speaker.



* D-N10BX/D-N9BX shown here. Grille removal is the same for the D-N7BX.

Using the Included Cork Spacers

You can improve the sound quality by attaching the included cork spacers to raise the speakers off the surface and reduce the contact area. The cork spacers also make the speakers stable and prevent them from slipping.



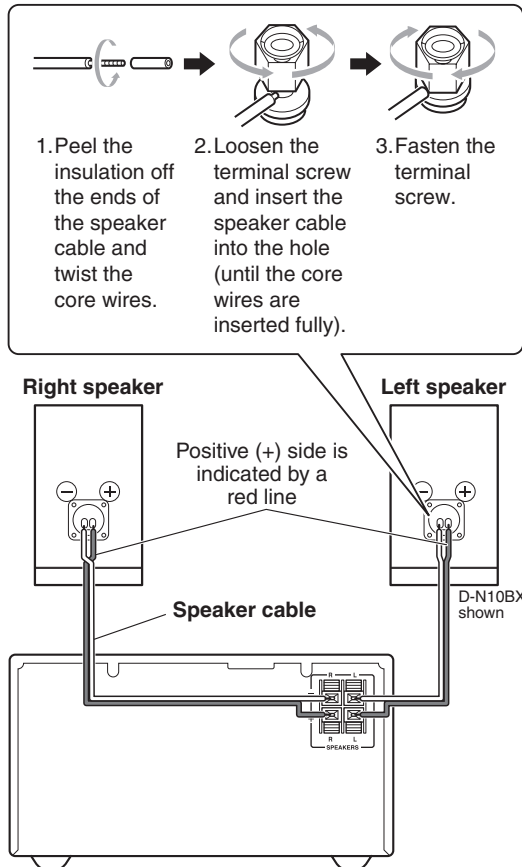
D-N10BX/D-N9BX

D-N7BX

* D-N10BX shown here.

Connecting the Speakers

- Before connecting the speakers, disconnect your amplifier's power cord from the wall outlet and set its volume control to minimum.
- The speaker's rated impedance is 4Ω. Make sure you connect an amplifier that is compatible with a 4Ω impedance.
- Use the supplied speaker cables to connect the speakers to your amplifier as shown.



The type of speaker terminals used on the receiver and their position depends on the model. Refer to the receiver's instruction manual for details on connecting speakers to the receiver.

Before Turning on Your Receiver:

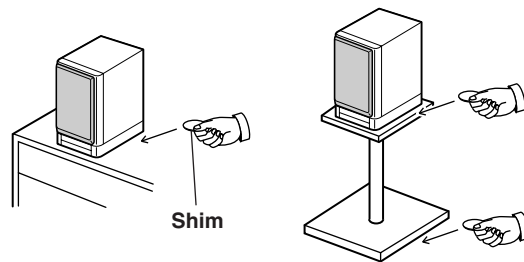
- Make sure the speaker's positive (+) terminals are connected to the amplifier's positive (+) terminals, and the speaker's negative (-) terminals are connected to the amplifier's negative (-) terminals. If you get the polarity reversed, the sound will be unnatural, with a limited bass range and poor stereo image.
- Make sure that the positive (+) and negative (-) wires are not touching each other. If they are, a short circuit may occur, damaging your amplifier.



Speaker Placement

The sound quality of the speakers is directly affected by the size and shape of the room they're used in and its furnishings. When considering where to place your speakers, read the following:

- Where possible, mount the speakers on speaker stands, concrete blocks, bricks, or a sturdy bookshelf. Putting them directly on the floor will emphasize bass sounds, creating a boomy sound.
- If a speaker is placed on an uneven surface where it can wobble or vibrate, bass performance will be adversely affected. You can eliminate speaker wobble by putting a shim made out of cork or metal, such as a coin, underneath the speaker or stand, as shown.



- If you mount the speakers on a flat surface, such as a bookshelf, you can improve the sound quality by inserting cork spacers or coins in between the speaker and the shelf. Raising them off the surface like this will reduce the contact area and improve the sound.
- If you like lots of bass, mount the speakers on low speaker stands and place them in front of a solid wall.
- Walls and furnishings affect sound quality. To achieve a good stereo sound, put the left and right speakers in similar locations at the same distance away from your listening position and at the same height. If you put them in totally different locations, for example, one on the floor and the other on a bookshelf, the stereo imaging will be adversely affected.
- To determine the best positions for your speakers, imagine an equilateral triangle and put the left and right speakers at the ends of the base. The ideal listening position is at or slightly behind the triangle's apex. Angle the speakers toward your listening position.
- Glass doors and smooth walls behind the listening position can reflect the sound from the speakers and can make sounds at certain frequencies louder. You can prevent this by hanging sound-absorbing material, such as thick curtain, on the door or wall.

D-N10BX

- Please note that the speakers' surface features a special finish. An object placed on the speakers for a long period of time may leave a trace or mark. Adhesive tape may also leave a mark.

Care

• D-N9BX/D-N7BX

To maintain the appearance of the speakers, you should periodically wipe them with a soft, dry cloth. Stubborn stains can be removed by using a soft cloth dampened with water and a mild detergent. Dry the speakers immediately afterward with a clean, dry cloth. Do not use abrasive cloths, thinners, alcohol, or other chemical solvents that may damage the finish.

• D-N10BX

From time to time you should wipe off the front and rear panels and the cabinet with a soft cloth. For heavier dirt, dampen a soft cloth in a weak solution of mild detergent and water, wring it out dry, and wipe off the dirt. Following this, dry immediately with a clean cloth. Do not use rough material, thinners, alcohol or other chemical solvents or cloths since these may damage the finish or remove the panel lettering.

Dust in inaccessible places can be removed by carefully using a vacuum cleaner.

To maintain the appearance, use a commercially available piano cleaner designed for glossy surfaces. This will cleanly remove finger marks and smudges, restoring the beautiful luster of the surface. This will also make it more difficult for dust and finger marks to adhere, allowing you to easily remove them with a dry cloth if they should occur.

Specifications

D-N10BX/D-N9BX

Type: 2-way bass reflex
 Impedance: 4 Ω
 Maximum input power: 70 W
 Output sound pressure level: 84 dB/W/m

Frequency response: 45 Hz–100 kHz
 Crossover frequency: 6 kHz
 Cabinet capacity: 8.1 ℓ
 Dimensions (W × H × D): 167 × 298 × 247 mm (incl. grille)
 Weight: D-N10BX: 4.2 kg (9.2 lbs)
 D-N9BX: 4.1 kg (9.0 lbs)
 Speakers: Woofer: 13 cm A-OMF MONO-COQUE type
 Tweeter: 3 cm ring drive
 Terminal: Nut-type binding posts, compatible with banana plugs
 Accessories: 1.8 meter speaker cable × 2
 Cork spacer × 8
 Instruction Manual × 1
 Others: Magnetic shielding

D-N7BX

Type: 2-way bass reflex
 Impedance: 4 Ω
 Maximum input power: 70 W
 Output sound pressure level: 83 dB/W/m
 Frequency response: 50 Hz–100 kHz
 Crossover frequency: 6 kHz
 Cabinet capacity: 8.1 ℓ
 Dimensions (W × H × D): 167 × 290 × 246 mm (incl. grille)
 Weight: 3.9 kg (8.6 lbs)
 Speakers: Woofer: 13 cm A-OMF MONO-COQUE type
 Tweeter: 3 cm ring drive
 Terminal: Nut-type binding posts, compatible with banana plugs
 Accessories: 1.8 meter speaker cable × 2
 Cork spacer × 8
 Instruction Manual × 1
 Others: Magnetic shielding

Specifications and appearance are subject to change for improvement without prior notice.

ONKYO CORPORATION

Sales & Product Planning Div. : 2-1, Nisshin-cho, Neyagawa-shi, OSAKA 572-8540, JAPAN
 Tel: 072-831-8023 Fax: 072-831-8124

ONKYO U.S.A. CORPORATION

18 Park Way, Upper Saddle River, N.J. 07458, U.S.A.
 Tel: 201-785-2600 Fax: 201-785-2650 <http://www.us.onkyo.com/>

ONKYO EUROPE ELECTRONICS GmbH

Liegnitzerstrasse 6, 82194 Groebenzell, GERMANY
 Tel: +49-8142-4401-0 Fax: +49-8142-4401-555 <http://www.eu.onkyo.com/>

ONKYO EUROPE UK Office

Suite 1, Gregories Court, Gregories Road, Beaconsfield, Buckinghamshire, HP9 1HQ
 UNITED KINGDOM Tel: +44-(0)1494-681515 Fax: +44(0)-1494-680452

ONKYO CHINA LIMITED

Units 2102-2107, Metroplaza Tower I, 223 Hing Fong Road, Kwai Chung, N.T., HONG KONG Tel: 852-2429-3118 Fax: 852-2428-9039
<http://www.ch.onkyo.com/>



I0605-2

SN 29344283A

(C) Copyright 2006 ONKYO CORPORATION Japan. All rights reserved.



* 2 9 3 4 4 2 8 3 A *

Free Manuals Download Website

<http://myh66.com>

<http://usermanuals.us>

<http://www.somanuals.com>

<http://www.4manuals.cc>

<http://www.manual-lib.com>

<http://www.404manual.com>

<http://www.luxmanual.com>

<http://aubethermostatmanual.com>

Golf course search by state

<http://golfingnear.com>

Email search by domain

<http://emailbydomain.com>

Auto manuals search

<http://auto.somanuals.com>

TV manuals search

<http://tv.somanuals.com>