

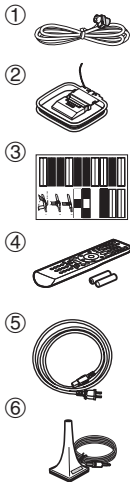
Quick Start Guide

TX-NR525

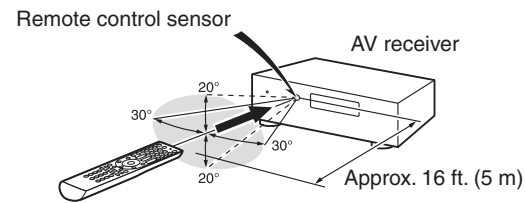
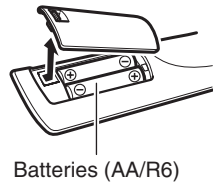
Supplied Accessories

Make sure you have the following accessories:

- ① Indoor FM antenna
- ② AM loop antenna
- ③ Speaker cable labels
- ④ Remote controller and two batteries (AA/R6)
- ⑤ Power cord (Taiwanese models)
(Plug type varies from country to country.)
- ⑥ Speaker setup microphone
The AV receiver can automatically perform speaker and surround settings, so that you can easily enjoy a surround sound tailored to your listening environment. Connect the supplied microphone to the AV receiver and follow the on-screen instructions.



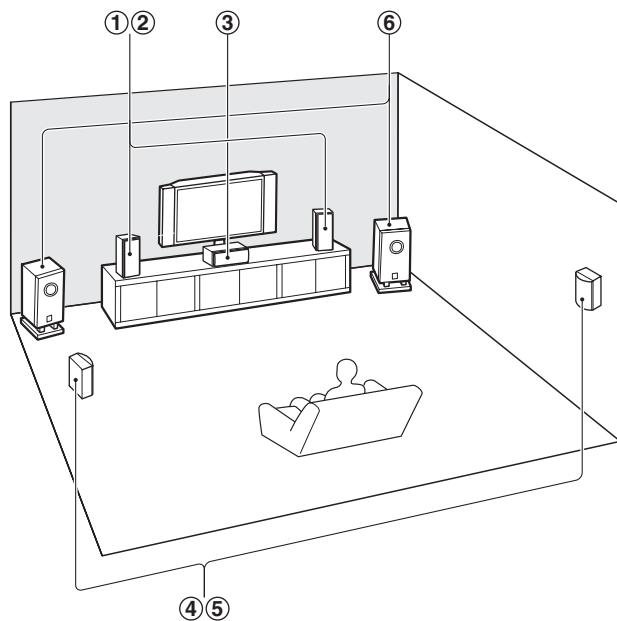
Using the Remote Controller



Note

Before connecting the power cord, connect all of your speakers and AV components.

1. Connecting Your Speakers

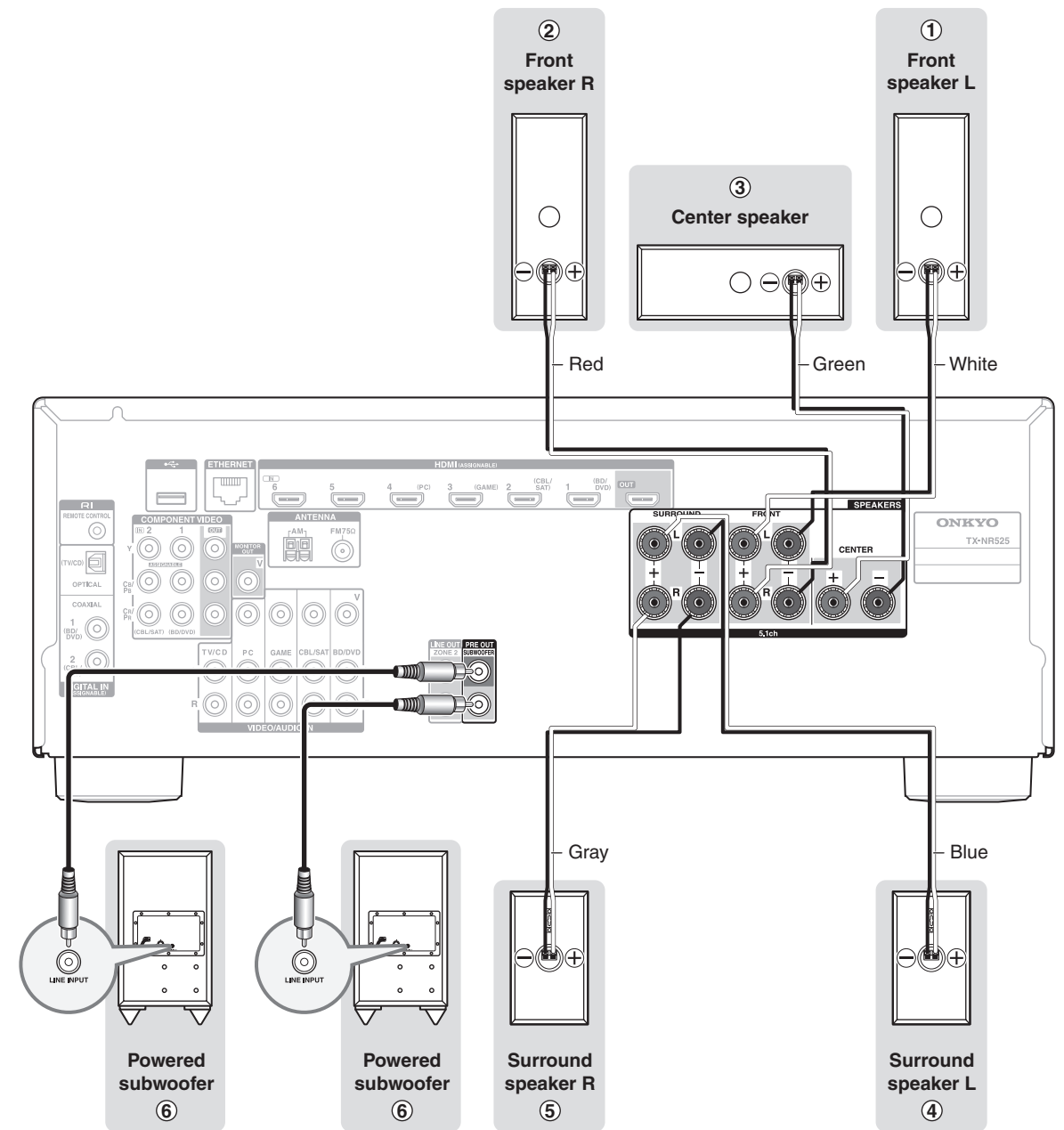


- ① ② Front speakers
- ③ Center speaker
- ④ ⑤ Surround speakers
- ⑥ Subwoofer(s)

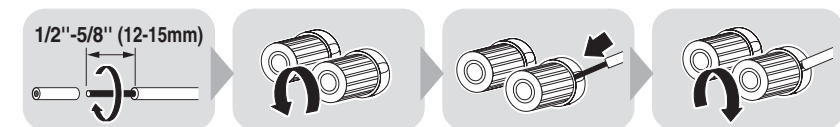
Speaker Configuration

5.1-channel: ① ② ③ ④ ⑤ ⑥

Please connect ①, ②, ③, ④, ⑤ and ⑥ for 5.1-channel surround.



You can connect the powered subwoofer with two **SUBWOOFER PRE OUT** jacks respectively. The same signal is output from each jack.



Y1301-1 En

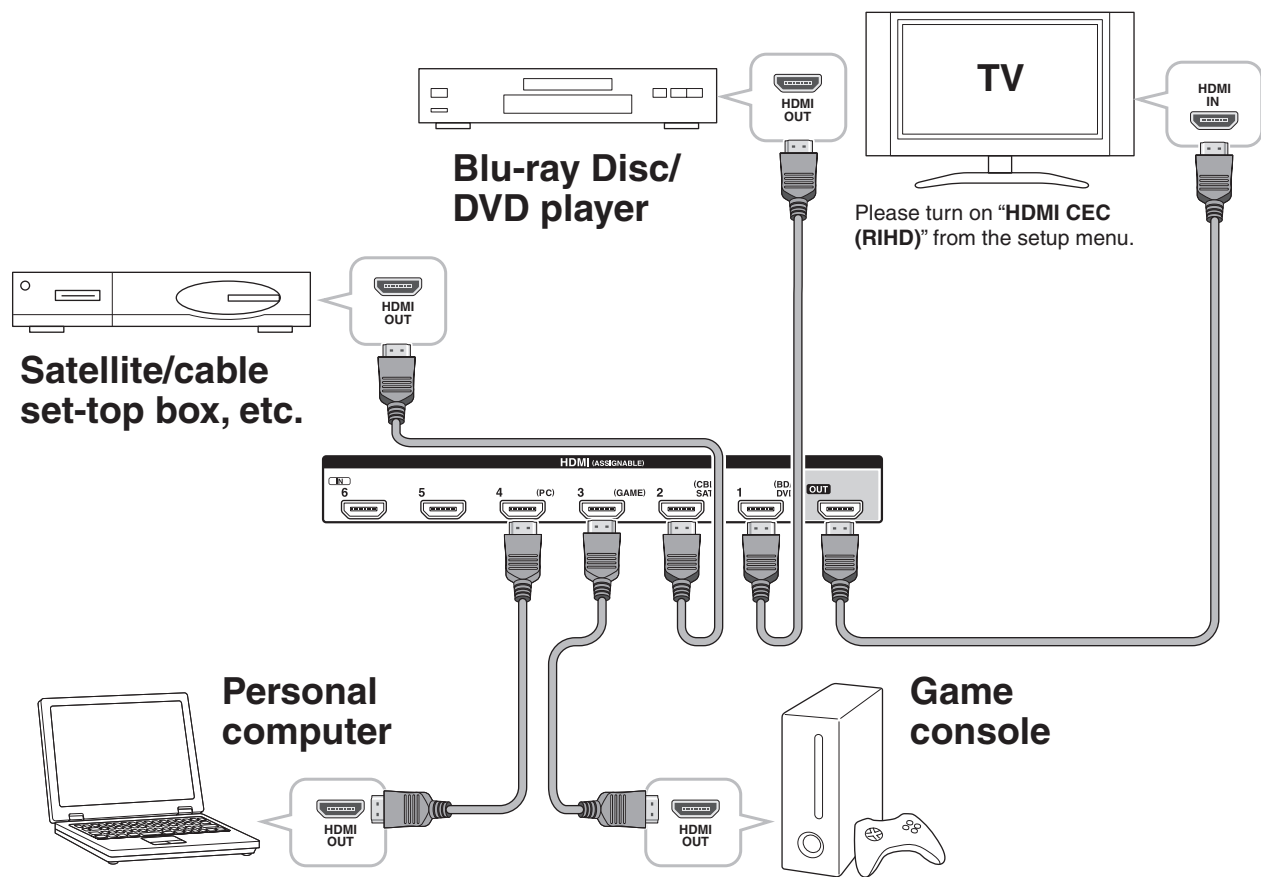


* 2 9 4 0 1 4 0 2 *

Download from www.Softmanuals.com. All Manuals Search And Download.

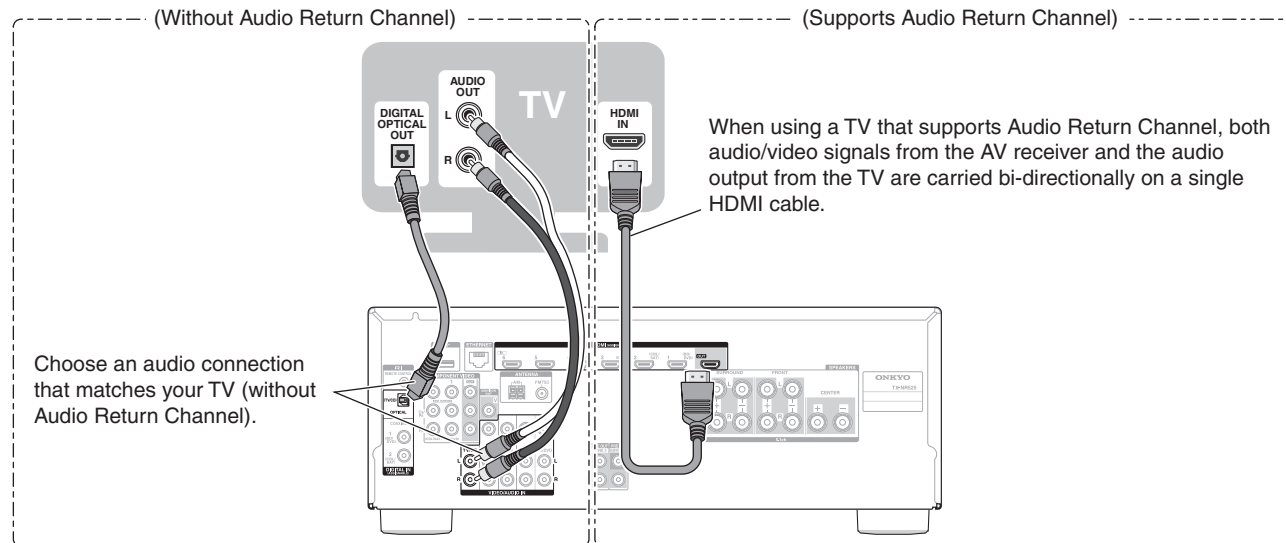
2. Connecting Your Components

Connecting Components with HDMI

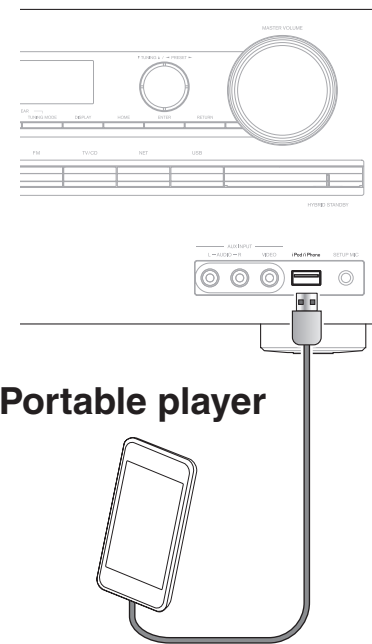
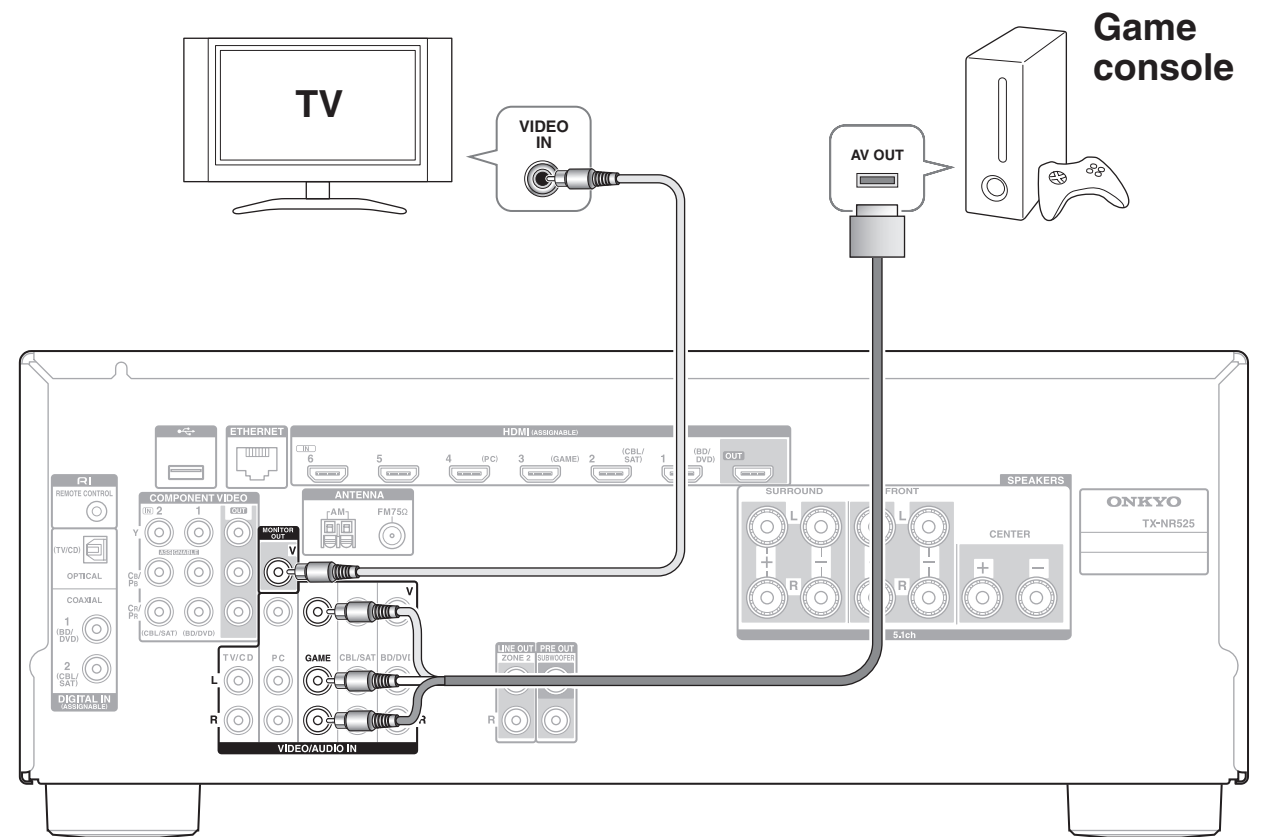


The components connected to each terminal (BD/DVD, GAME, etc.) can be selected with the input selector buttons of the same name on the front panel. Note that these default assignments can be changed. For details, please refer to the instruction manual.

■ Listening to TV audio (Optional)



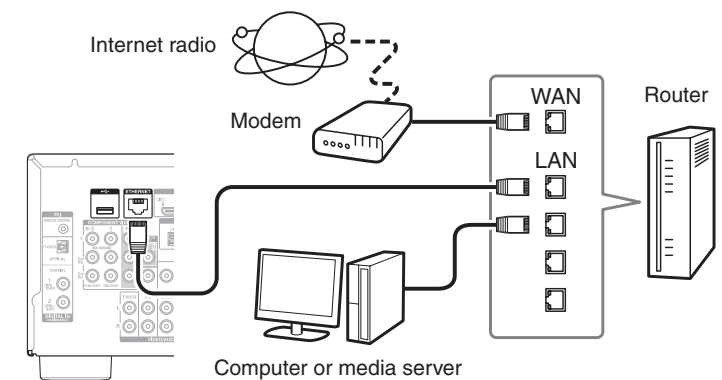
Connecting Components without HDMI



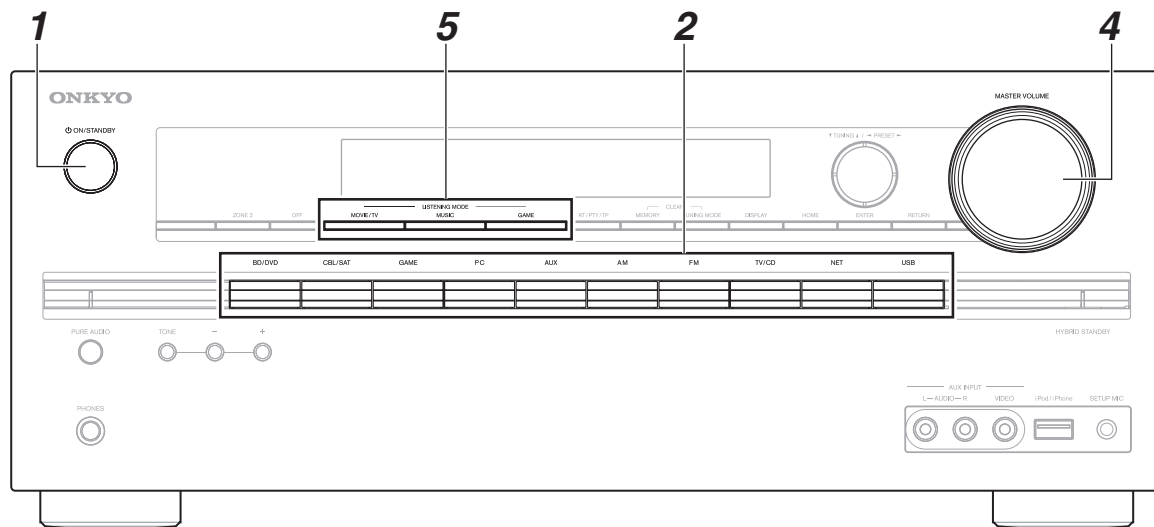
The content information is displayed (lists are displayed) on-screen, and you can control the contents while looking at the TV screen.

Connecting to the Network (Optional)

The following diagram shows how you can connect the AV receiver to your home network. In this example, it's connected to a LAN port on a router, which has a 4-port 100Base-TX switch built-in.



3. Turning On & Basic Operations



- 1 Turn on the AV receiver.
- 2 Select the input source.
- 3 Start playback on the source component.
- 4 Adjust the volume.
- 5 Select a listening mode and enjoy!

4. Using the Setup User Interface

The on-screen menus appear only on a TV that is connected to the **HDMI OUT**. If your TV is connected to other video outputs, use the AV receiver's display when changing settings.

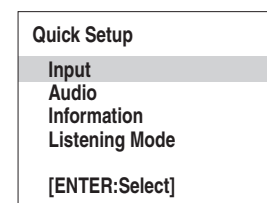
Tip

- If the menu doesn't appear, make sure the appropriate external input is selected on your TV.

Quick Setup

The Quick Setup provides quick access to frequently used settings. You can change settings and view the current information.

■ Opening the Quick Setup



■ Navigating through the menus



▶ **Input**

You can select the input source while viewing the related information.

▶ **Audio**

You can change various audio settings such as tone controls, the subwoofer and center channel levels.

▶ **Information**

You can view various information about the currently selected input source.

▶ **Listening Mode**

You can select the listening modes that are grouped in categories.

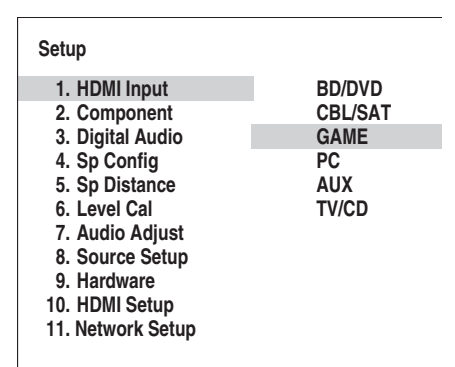
■ Closing the menu



Setup Menu (Home Menu)

The Setup menu provides extended setup that includes settings for advanced users. All the settings are organized in a user-friendly structure, which covers the whole TV screen area.

■ Opening the Setup menu (Home Menu)



■ Navigating through the menus



■ Returning to the main menu



■ Closing the menu



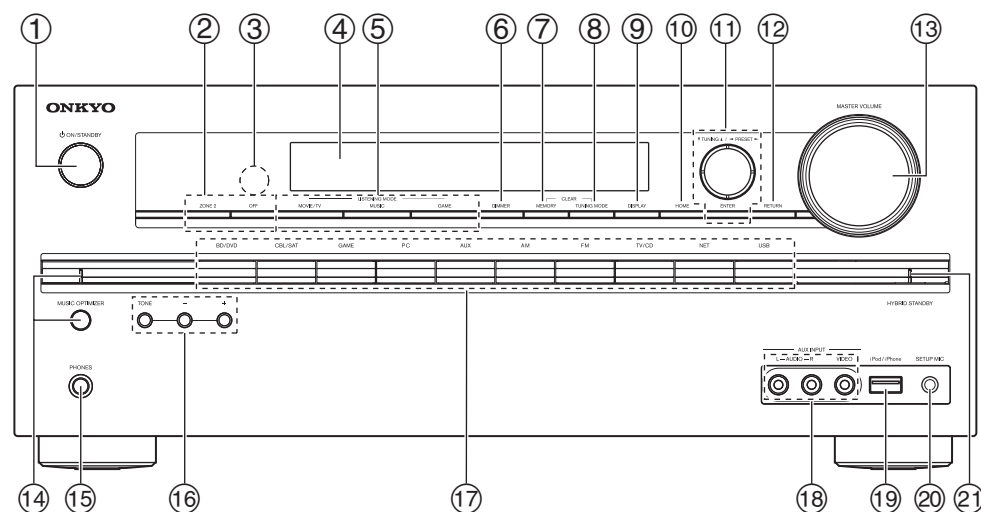
Note

- This procedure can also be performed on the AV receiver by using **HOME**, the cursor buttons, and **ENTER**.

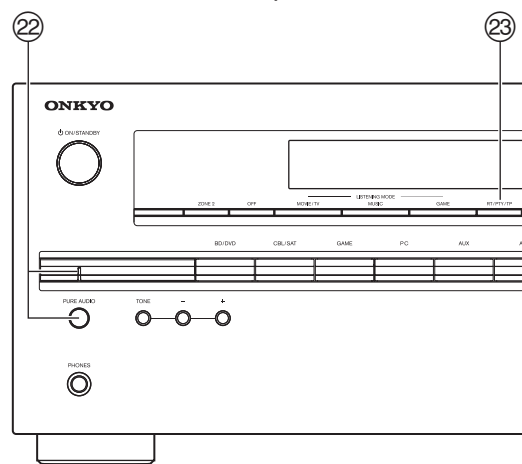
5. Getting to Know the AV receiver

Front Panel

(North American and Taiwanese models)



(European, Australian and Asian models)



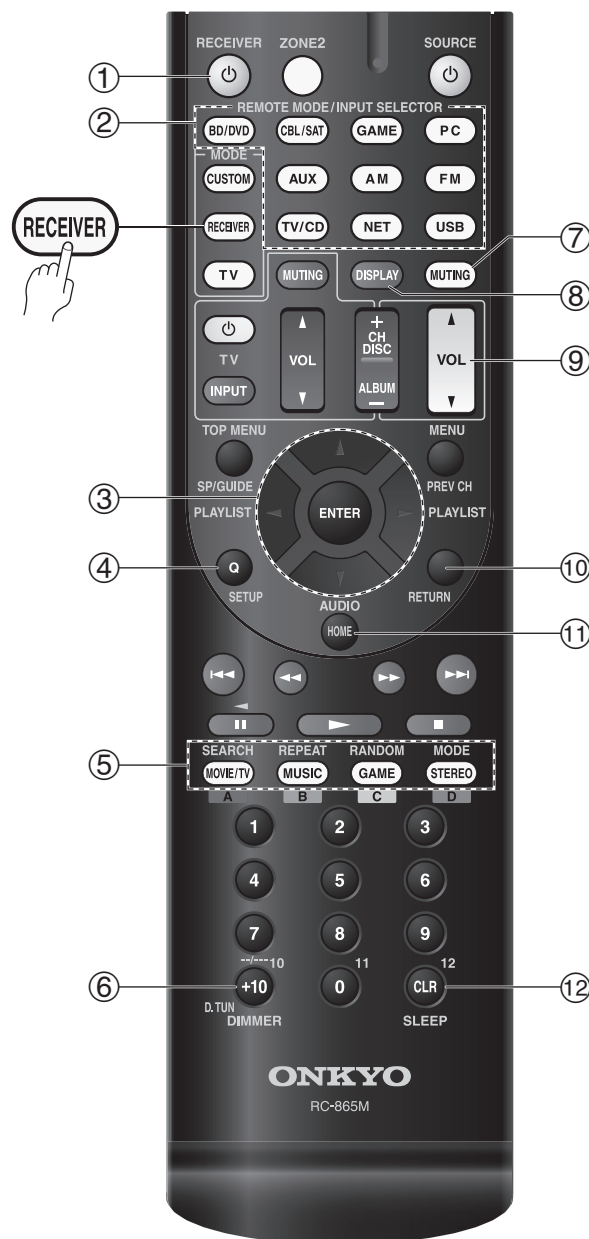
Each input selector button (BD/DVD, GAME, etc.) selects the input terminal with the same name on the rear panel.

Note that these default assignments can be changed. For details, please refer to the instruction manual.

- ① Sets the AV receiver to On or Standby.
- ② Selects Zone 2.
- ③ The remote control sensor receives signals from the remote controller.
- ④ Displays various information.
- ⑤ Selects listening modes.
- ⑥ **(North American and Taiwanese models)**
DIMMER: Adjusts the display brightness.
- ⑦ Stores or deletes radio presets.
- ⑧ Selects the Auto or Manual tuning mode.
- ⑨ Displays various information about the currently selected input source.
- ⑩ Accesses the HOME menu.
- ⑪ When the AM or FM input source is selected, **▼ TUNING ▲** are used to tune the tuner, and **◀ PRESET ▶** are used to select radio presets.
When used with onscreen menus, they work as cursor buttons to select and set items. **ENTER** is also used with onscreen menus.

- ⑫ Returns to the previous menu.
- ⑬ Adjusts the volume.
- ⑭ **(North American and Taiwanese models)**
The Music Optimizer function enhances the sound quality of compressed music files.
- ⑮ Connects a standard pair of stereo headphones.
- ⑯ Adjusts the tone.
- ⑰ Selects the input sources.
- ⑱ Connects a camcorder or similar for audio/video playback.
- ⑲ Connects a USB storage or portable player for playback of music files.
- ⑳ Connects the speaker setup microphone.
- ㉑ By way of optimized circuitry, this function reduces power consumption when the AV receiver is in standby mode.
- ㉒ **(European, Australian and Asian models)**
Selects the Pure Audio listening mode.
The indicator lights when this mode is selected.
- ㉓ **(European, Australian and Asian models)**
RT/PTY/TP: Used for RDS (Radio Data System)
RDS works only in areas where RDS broadcasts are available.

Remote Controller



To control the AV receiver, press **RECEIVER** to select Receiver mode.

- ① Sets the AV receiver to On or Standby.
- ② Selects the remote controller modes or the input sources.
- ③ Selects and adjusts settings.
- ④ Accesses the quick setup menus.
- ⑤ Selects listening modes.
- ⑥ Adjusts the display brightness.
- ⑦ Mutes or unmutes the AV receiver.
- ⑧ Displays various information about the currently selected input source.
- ⑨ Adjusts the volume.
- ⑩ Returns to the previous menu.
- ⑪ Accesses the HOME menu.
- ⑫ Used for the Sleep function.

6. Troubleshooting

Can't turn on the AV receiver.

Make sure that the power cord is properly plugged into the wall outlet.

The AV receiver turns off unexpectedly.

The AV receiver will automatically enter standby mode when Auto Standby is set and launched.

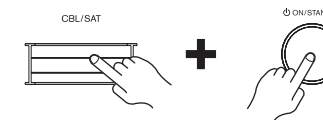
There's no sound, or it's very quiet.

Make sure that the proper digital source is selected.

There's no picture.

Make sure that all video connecting plugs are pushed in all the way.

If you can't resolve the issue yourself, try resetting the AV receiver before contacting your Onkyo dealer.
To reset the AV receiver to its factory defaults, turn it on and, while holding down **CBL/SAT**, press **ON/STANDBY**. "Clear" will appear on the AV receiver's display and the AV receiver will enter standby mode.



Note that resetting the AV receiver will delete your radio presets and custom settings.

ONKYO

Onkyo Corporation
<http://www.onkyo.com/>

Onkyo U.S.A. Corporation
Tel: 800-229-1687, 201-785-2600
<http://www.us.onkyo.com/>

Onkyo Europe Electronics GmbH
Tel: +49-8142-4401-0
<http://www.eu.onkyo.com/>

Onkyo Europe Electronics GmbH (UK Branch)
Tel: +44-(0)8712-00-19-96

Onkyo China Limited (Hong Kong)
Tel: 852-2429-3118
<http://www.hk.onkyo.com/>

Onkyo China PRC (Mainland)
Tel: 86-21-52131366
<http://www.cn.onkyo.com/>

Free Manuals Download Website

<http://myh66.com>

<http://usermanuals.us>

<http://www.somanuals.com>

<http://www.4manuals.cc>

<http://www.manual-lib.com>

<http://www.404manual.com>

<http://www.luxmanual.com>

<http://aubethermostatmanual.com>

Golf course search by state

<http://golfingnear.com>

Email search by domain

<http://emailbydomain.com>

Auto manuals search

<http://auto.somanuals.com>

TV manuals search

<http://tv.somanuals.com>