

ONKYO®

Powered Subwoofer

SKW-204

Instruction Manual

Thank you for purchasing an Onkyo powered subwoofer.
Please read this manual thoroughly before using the unit.
Following the instructions in this manual will enable you to obtain optimum performance and listening enjoyment from your new powered subwoofer.
Please retain this manual for future reference.

Contents

Getting Started

Important Safety Instructions	2
Precautions	3
Supplied Accessories	4

Installing & Using

Controls	5
Connections	6
Subwoofer effects	6
Adjustments	7
Placement	7

Appendix

Troubleshooting	7
Specifications	8

En

WARNING:

TO REDUCE THE RISK OF FIRE OR ELECTRIC SHOCK, DO NOT EXPOSE THIS APPARATUS TO RAIN OR MOISTURE.

CAUTION:

TO REDUCE THE RISK OF ELECTRIC SHOCK, DO NOT REMOVE COVER (OR BACK). NO USER-SERVICEABLE PARTS INSIDE. REFER SERVICING TO QUALIFIED SERVICE PERSONNEL.



The lightning flash with arrowhead symbol, within an equilateral triangle, is intended to alert the user to the presence of uninsulated "dangerous voltage" within the product's enclosure that may be of sufficient magnitude to constitute a risk of electric shock to persons.




The exclamation point within an equilateral triangle is intended to alert the user to the presence of important operating and maintenance (servicing) instructions in the literature accompanying the appliance.



Important Safety Instructions

1. Read these instructions.
2. Keep these instructions.
3. Heed all warnings.
4. Follow all instructions.
5. Do not use this apparatus near water.
6. Clean only with dry cloth.
7. Do not block any ventilation openings. Install in accordance with the manufacturer's instructions.
8. Do not install near any heat sources such as radiators, heat registers, stoves, or other apparatus (including amplifiers) that produce heat.
9. Do not defeat the safety purpose of the polarized or grounding-type plug. A polarized plug has two blades with one wider than the other. A grounding type plug has two blades and a third grounding prong. The wide blade or the third prong are provided for your safety. If the provided plug does not fit into your outlet, consult an electrician for replacement of the obsolete outlet.
10. Protect the power cord from being walked on or pinched particularly at plugs, convenience receptacles, and the point where they exit from the apparatus.
11. Only use attachments/accessories specified by the manufacturer.
12. Use only with the cart, stand, tripod, bracket, or table specified by the manufacturer, or sold with the apparatus. When a cart is used, use caution when moving the cart/apparatus combination to avoid injury from tip-over.

PORTABLE CART WARNING



S3125A
13. Unplug this apparatus during lightning storms or when unused for long periods of time.
14. Refer all servicing to qualified service personnel. Servicing is required when the apparatus has been damaged in any way, such as power-supply cord or plug is damaged, liquid has been spilled or objects have fallen into the apparatus, the apparatus has been exposed to rain or moisture, does not operate normally, or has been dropped.
15. Damage Requiring Service

Unplug the apparatus from the wall outlet and refer servicing to qualified service personnel under the following conditions:

 - A. When the power-supply cord or plug is damaged,
 - B. If liquid has been spilled, or objects have fallen into the apparatus,
 - C. If the apparatus has been exposed to rain or water,
 - D. If the apparatus does not operate normally by following the operating instructions. Adjust only those controls that are covered by the operating instructions as an improper adjustment of other controls may result in damage and will often require extensive work by a qualified technician to restore the apparatus to its normal operation,
 - E. If the apparatus has been dropped or damaged in any way, and
 - F. When the apparatus exhibits a distinct change in performance this indicates a need for service.
16. Object and Liquid Entry

Never push objects of any kind into the apparatus through openings as they may touch dangerous voltage points or short-out parts that could result in a fire or electric shock.

The apparatus shall not be exposed to dripping or splashing and no objects filled with liquids, such as vases shall be placed on the apparatus.

Don't put candles or other burning objects on top of this unit.
17. Batteries

Always consider the environmental issues and follow local regulations when disposing of batteries.
18. If you install the apparatus in a built-in installation, such as a bookcase or rack, ensure that there is adequate ventilation.

Leave 20 cm (8") of free space at the top and sides and 10 cm (4") at the rear. The rear edge of the shelf or board above the apparatus shall be set 10 cm (4") away from the rear panel or wall, creating a flue-like gap for warm air to escape.

Precautions

- 1. AC Fuse**—The AC fuse inside the unit is not user-serviceable. If you cannot turn on the unit, contact your Onkyo dealer.
- 2. Care**—Occasionally you should dust the unit all over with a soft cloth. For stubborn stains, use a soft cloth dampened with a weak solution of mild detergent and water. Dry the unit immediately afterwards with a clean cloth. Don't use abrasive cloths, thinners, alcohol, or other chemical solvents, because they may damage the finish or remove the panel lettering.
Use a vacuum cleaner to remove dust from hard-to-reach grilles.

3. Power WARNING

BEFORE PLUGGING IN THE UNIT FOR THE FIRST TIME, READ THE FOLLOWING SECTION CAREFULLY.

AC outlet voltages vary from country to country. Make sure that the voltage in your area meets the voltage requirements printed on the unit's rear panel (e.g., AC 230 V, 50 Hz or AC 120 V, 60 Hz).

The power cord plug is used to disconnect this unit from the AC power source. Make sure that the plug is readily operable (easily accessible) at all times.

Some models have a voltage selector switch for compatibility with power systems around the world. Before you plug in such a model, make sure that the voltage selector is set to the correct voltage for your area.

For British models

Replacement and mounting of an AC plug on the power supply cord of this unit should be performed only by qualified service personnel.

IMPORTANT

The wires in the mains lead are coloured in accordance with the following code:

Blue: Neutral
Brown: Live

As the colours of the wires in the mains lead of this apparatus may not correspond with the coloured markings identifying the terminals in your plug, proceed as follows:

The wire which is coloured blue must be connected to the terminal which is marked with the letter N or coloured black.

The wire which is coloured brown must be connected to the terminal which is marked with the letter L or coloured red.

IMPORTANT

The plug is fitted with an appropriate fuse. If the fuse needs to be replaced, the replacement fuse must be approved by ASTA or BSI to BS1362 and have the same ampere rating as that indicated on the plug. Check for the ASTA mark or the BSI mark on the body of the fuse. If the power cord's plug is not suitable for your socket outlets, cut it off and fit a suitable plug. Fit a suitable fuse in the plug.

For Canadian Models

For models having a power cord with a polarized plug:



CAUTION: TO PREVENT ELECTRIC SHOCK, MATCH WIDE BLADE OF PLUG TO WIDE SLOT, FULLY INSERT.

Modèle pour les Canadien

Sur les modèles dont la fiche est polarisée:

ATTENTION: POUR ÉVITER LES CHOCS ÉLECTRIQUES, INTRODUIRE LA LAME LA PLUS LARGE DE LA FICHE DANS LA BORNE CORRESPONDANTE DE LA PRISE ET POUSSER JUSQU'AU FOND.

For European Models

Declaration of Conformity	
<p>We, ONKYO EUROPE ELECTRONICS GmbH LIEGNITZERSTRASSE 6, 82194 GROEBENZELL, GERMANY</p>	
<p>declare in own responsibility, that the ONKYO product described in this instruction manual is in compliance with the corresponding technical standards such as EN60065, EN55013, EN55020 and EN61000-3-2, -3-3.</p>	
<p>GROEBENZELL, GERMANY</p>	 K. MIYAGI
<p>ONKYO EUROPE ELECTRONICS GmbH</p>	

Precautions—Continued

Placement

- The subwoofer cabinet is made out of wood and is therefore sensitive to extreme temperatures and humidity, do not put it in locations subject to direct sunlight or in humid places, such as near an air conditioner, humidifier, bathroom, or kitchen.
- Do not put water or other liquids close to the subwoofer. If liquid is spilled over the subwoofer, the drive units may be damaged.
- Subwoofer should only be placed on sturdy, flat surfaces that are free from vibration. Putting it on uneven or unstable surfaces, where it may fall and cause damage, will affect the sound quality.
- Subwoofer is designed to be used in the upright vertical position only. Do not use it in the horizontal or tilted position.
- If the subwoofer is used near a turntable, CD player or DVD player, howling or slipping of sound may occur. To prevent this, move it away from the turntable, CD player or DVD player, otherwise lower the unit's output level.

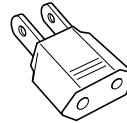
Supplied Accessories

- Pin connector cable 10 ft. (3 m)



- Power-plug adapter

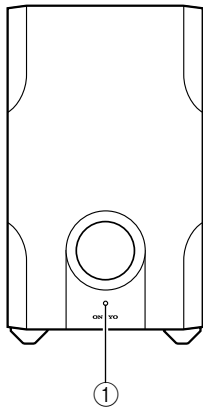
Only supplied in certain countries. Use this adapter if your AC outlet does not match with the plug on the AV Receiver's power cord. (Adapter varies from country to country.)



- * In catalogs and on packaging, the letter added to the end of the product name indicates the color of the SKW-204. Specifications and operation are the same regardless of color.

Controls

FRONT VIEW



① Standby/On indicator (STANDBY/ON)

This indicator lights up when the power switch is set to the ON position.

Red: The unit is in Standby mode

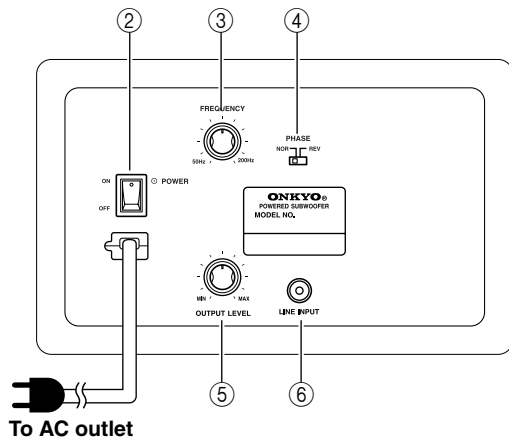
Green: The unit is in Operational mode

If the power is turned on, the SKW-204 automatically enters Operational mode when a signal is input.

The SKW-204 automatically returns to Standby mode when no signal has been input for a while.

REAR PANEL

North American Model



② POWER switch

Press this switch to the ON position to turn on the power. Press it to the OFF position to turn off the power.

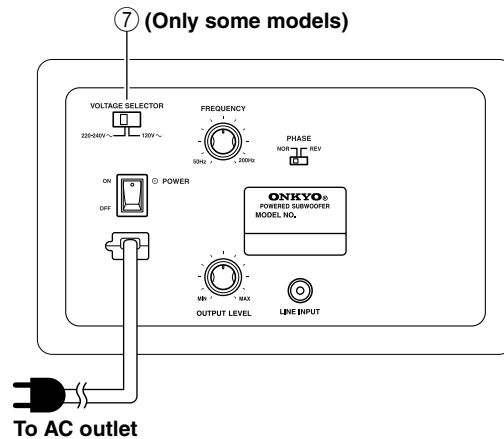
③ FREQUENCY knob

Use this knob to select the high-frequency range at which to cut off the signal to the subwoofer. You can select any frequency between 50 Hz and 200 Hz, depending on the characteristics of the speaker system.

④ PHASE switch

Use this switch to reverse the phase of the SKW-204. Normally, set the switch to the "NOR" position. Depending on the connected speakers or the installation environment of the SKW-204 however, the "REV" position may result in better sound. Select the switch position that produces a louder bass sound.

Other Models



⑤ OUTPUT LEVEL knob

Use this knob to adjust the volume of the subwoofer.

⑥ LINE INPUT jack

Connect this jack to the SUBWOOFER PREOUT jacks on the amplifier etc.

⑦ VOLTAGE SELECTOR (Only some models)

This voltage selector provides compatibility with power systems around the world.

Note:

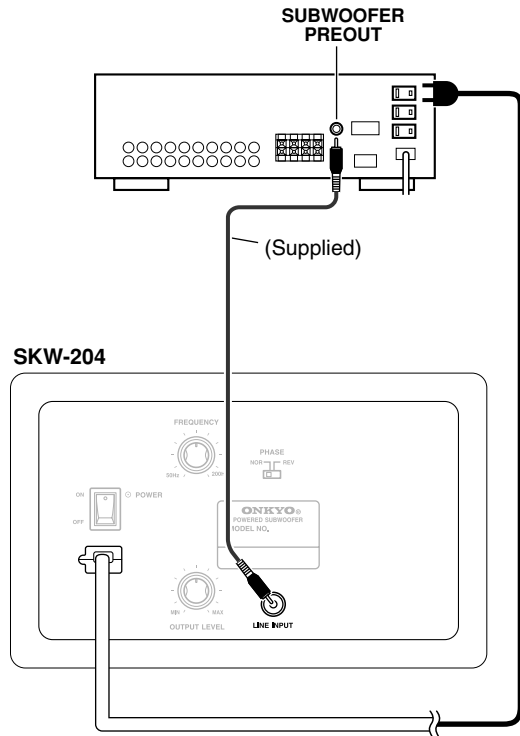
The auto standby function engages if the input signal level is constant. If the auto standby function does not operate properly, try slightly increasing (or decreasing) the subwoofer output level of the receiver.

Connections

For safety considerations, turn off all other system components before you connect or disconnect any component and plug the power cable for the last.

Using the SKW-204 with an AV amplifier

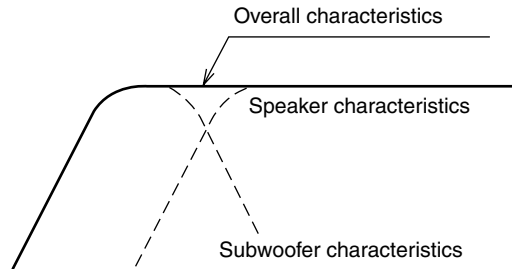
When using the SKW-204 in conjunction with an AV amplifier or receiver that features surround capability, connect the SKW-204 LINE INPUT to SUBWOOFER PREOUT jack using the supplied pin connector cable.



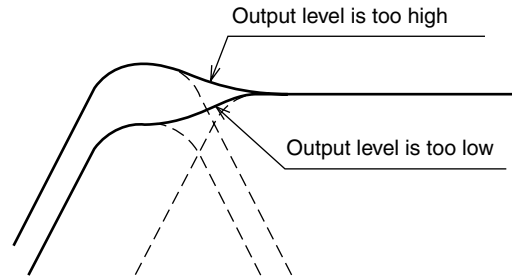
Subwoofer effects

Adding a subwoofer to your speaker system expands the bandwidth of the bass range. However, if the subwoofer's reproduction bandwidth or sound output level is improperly adjusted, the overall performance may decrease, as shown in the graphs below.

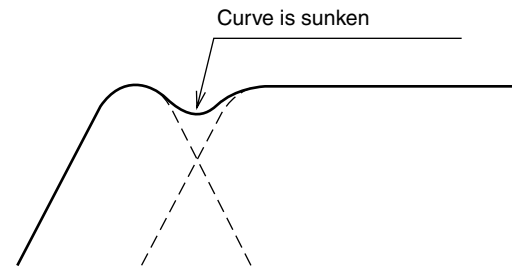
When the subwoofer's reproduction bandwidth is correct



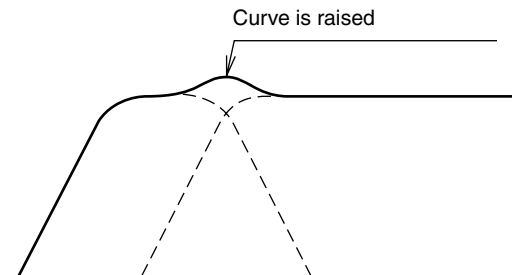
When the subwoofer's output level is incorrect



When the subwoofer's reproduction bandwidth is far from the speaker's bandwidth



When the subwoofer's reproduction bandwidth is close to the speaker's bandwidth



Adjustments

Crossover frequency and output level

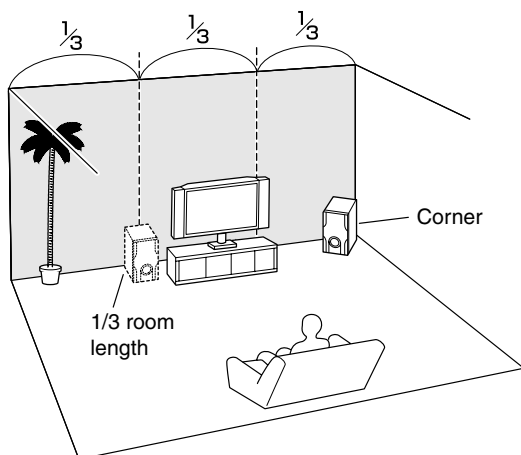
- Adjust the SKW-204 output level and crossover frequency to suit your listening room and connected speakers.
- Be aware that you might set the subwoofer to a high output level because superbass-range sound is less audible than other sound ranges. To obtain well-balanced frequency characteristics, set the output level to a slightly lower level than seems optimal. (This will also prevent the input of signals that are too strong.)

Note:

Be careful not to allow the input of excessive power. Input levels that greatly exceed normal situations can damage the SKW-204. Also note that switching operations at the amplifier may generate excessive noise that may result in damage. When using switches at the amplifier, first lower the volume to prevent accidental damage.

Placement

The placement of the SKW-204 can greatly affect the sound that is produced. In general, a good bass sound can be obtained by installing the subwoofer in a front corner, or at one-third the width of the wall, as shown.



Troubleshooting

The unit does not turn on

- The power plug is not fully inserted.
→ Insert the power plug fully into the power outlet.

No sound is output

- The OUTPUT LEVEL knob is set to the MIN level.
→ Set the OUTPUT LEVEL knob properly.
- Pin connector cable is not properly connected to the LINE INPUT jack.
- The speaker setting at the amplifier (or receiver) is incorrect.
→ Check the settings at the amplifier (or receiver).
- The input signal is so small that the unit entered Standby mode.
→ Slightly increase the output level at the amplifier (or receiver).

Low sound output

- The sound source might not include a superbass range.
→ Play a sound source that includes a superbass range.

Hum noise

- Pin connector plug is not inserted completely.
→ Fully insert the pin connector plug.
- External leakage flux (induction noise by TV, etc.) occurs.
→ Relocate the SKW-204 away from the noise source and re-connect.

Specifications

Type	Bass-reflex with built-in power amplifier
Input sensitivity/impedance	140 mV / 20 kΩ
Frequency response	25–200 Hz
Maximum output power	230 W Dynamic
Cabinet capacity	1.36 cubic feet (38 L)
Drivers unit:	10 inch (25 cm) woofer
Power supply	North American: AC 120 V, 60 Hz European: AC 230-240 V, 50 Hz Others: AC 120/220-240 V, 50/60 Hz
Power consumption	North American: 140 W Others: 137 W
Dimensions (W × H × D)	10-13/16" × 18-5/8" × 16-7/8" 275 × 473 × 428 mm
Weight	26.0 lbs. (11.8 kg)
Accessory	Pin connector cable (1 pc.) Power plug adapter (1 pc.) (only supplied in certain countries) Instruction manual (this manual)
Others	Auto standby

Specifications and appearance are subject to change without prior notice.

ONKYO CORPORATION

Sales & Product Planning Div. : 2-1, Nisshin-cho, Neyagawa-shi, OSAKA 572-8540, JAPAN
Tel: 072-831-8023 Fax: 072-831-8124

ONKYO U.S.A. CORPORATION

18 Park Way, Upper Saddle River, N.J. 07458, U.S.A.
Tel: 201-785-2600 Fax: 201-785-2650 <http://www.us.onkyo.com/>

ONKYO EUROPE ELECTRONICS GmbH

Liegnitzerstrasse 6, 82194 Groebenzell, GERMANY
Tel: +49-8142-4401-0 Fax: +49-8142-4401-555 <http://www.eu.onkyo.com/>

ONKYO EUROPE UK Office

Suite 1, Gregories Court, Gregories Road, Beaconsfield, Buckinghamshire, HP9 1HQ
UNITED KINGDOM Tel: +44-(0)1494-681515 Fax: +44(0)-1494-680452

ONKYO CHINA LIMITED

Units 2102-2107, Metroplaza Tower I, 223 Hing Fong Road, Kwai Chung,
N.T., HONG KONG Tel: 852-2429-3118 Fax: 852-2428-9039
<http://www.ch.onkyo.com/>



I0603-1

SN 29344239

(C) Copyright 2006 ONKYO CORPORATION Japan. All rights reserved.



Free Manuals Download Website

<http://myh66.com>

<http://usermanuals.us>

<http://www.somanuals.com>

<http://www.4manuals.cc>

<http://www.manual-lib.com>

<http://www.404manual.com>

<http://www.luxmanual.com>

<http://aubethermostatmanual.com>

Golf course search by state

<http://golfingnear.com>

Email search by domain

<http://emailbydomain.com>

Auto manuals search

<http://auto.somanuals.com>

TV manuals search

<http://tv.somanuals.com>