

ONKYO®

Speaker System

SKS-3600

SKC-3600 Center Speaker System
SKM-3600 Surround Speaker System

Instruction Manual

Contents

Supplied accessories	2
Placement	2
Using the included cork spacers and installation brackets	2
Connections	3
Precaution on use	3
Speaker care	4
Use with a TV set or computer	4
Specifications	4

Thank you for your purchase of the Onkyo speaker system.

Please read this manual thoroughly before using it.

Following the instructions in this manual will enable you to obtain optimum performance and listening enjoyment from your new speaker system.

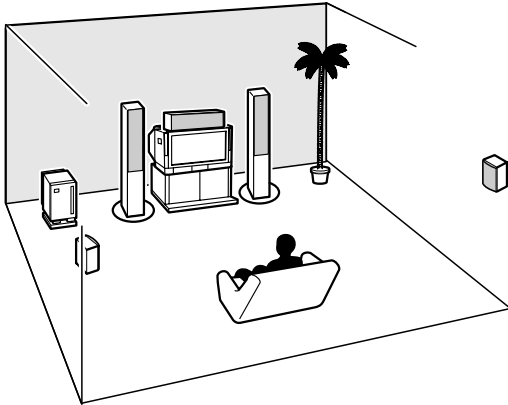
Please retain this manual for future reference.



Supplied accessories

SKC-3600 (center speaker) × 1
SKM-3600 (surround speaker) × 2
Speaker cord × 3 (green: 3 m, blue, gray: 9 m)
Bracket × 4
Screw × 4
Cork spacer × 12

Placement



SKC-3600 (Center speaker)

Complements the sound effects from front left and right speakers to enrich and clear the sound image and movement. In movies, an actor's speech comes mainly from the center speaker.

Place the center speaker as close as possible to the TV or monitor, pointing it towards the listener's ears. Also, keep the center speaker's height at the same level as the front left and right speakers.

SKM-3600 (Surround left and right speakers)

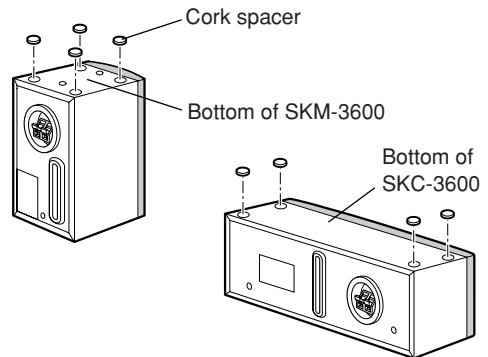
Enhance the sensation of being at a live performance by giving three-dimensional sound movement to the sound effects. Place the surround speakers at the side of the listener or at a position diagonally from the listener. Ideally, speakers should be placed symmetrically.

Place these speakers so that their height is 1 meter higher than that of the listener's ears.

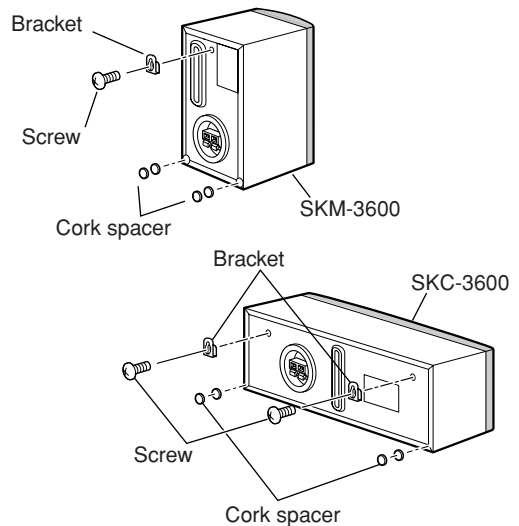
The speaker cabinet is made of wood and sensitive to extreme temperatures and humidity. Avoid placing the speaker system in locations subjected to direct sunlight or in humid places such as near an air conditioner, bathroom, or kitchen.

Using the included cork spacers and installation brackets

We recommend that you use the included cork spacers so you can enjoy superior sound. The cork spacers also prevent the speakers from slipping.



Mounting on a wall



Wall-mount the speakers upside down. Layer two spacers and attach them to two locations. The plaques rotate so that you can position the speakers upside down.

Attaching the brackets:

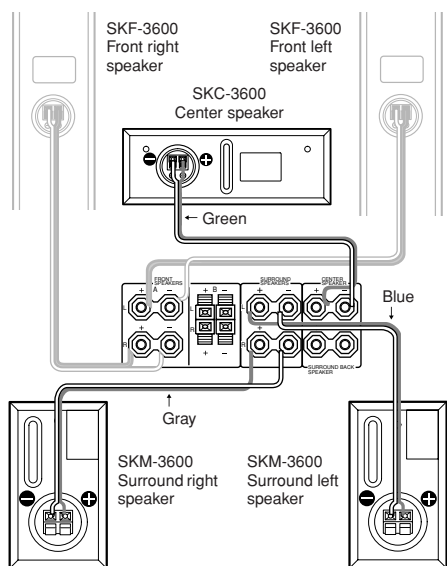
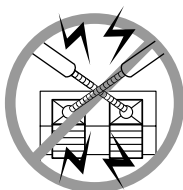
Use the included screws to attach the brackets to the back of the speakers.

Caution:

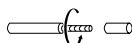
- Make sure that the walls are rigid enough for supporting the speaker's weight.
- The weight a mounting screw can support varies greatly depending on the wall material and the position of the reinforcing ribs embedded in the wall. Use the thickest and longest possible mounting screws whose head diameter is less than 10 mm and shank diameter is less than 4 mm (consult with your installer).

Connections

- Be sure to turn off your amplifier before connecting the speaker system. Connecting it while the amplifier is on may result in damage to the amplifier or the speaker system.
- The nominal impedance of this speaker system is 8Ω. Use only amplifiers capable of handling this impedance.
- Use the supplied speaker cables to connect between the speaker's input terminals and the amplifier's speaker terminals as illustrated below.
- Be sure to connect the Center, Surround Right and Left speakers with the amplifier's corresponding speaker terminals. Also, be sure that you are connecting the speaker's positive (+) and negative (-) input terminals with the amplifier's corresponding positive and negative speaker terminals. Otherwise, undesirable sound field or impaired bass-range reproduction will result.
- Before turning on the amplifier's power switch, pull lightly on the speaker cables to ensure that they are connected securely.
- To prevent damage to circuitry, never short-circuit the positive (+) and negative (-) speaker wire.



1. Strip the insulation of speaker cables, and twist the core wires tightly.
2. While pressing the lever, insert the wire into the hole, and then release the lever.
3. Make sure that the terminals are gripping the core wires, not the insulation.

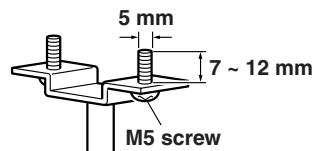


Installation using commercially-available stands and fixtures

The surround speaker bottom and rear are equipped with screw holes so that you can attach commercially-available stands or mounting fixtures for a variety of mounting options. (Two M5 screw holes, 60 mm pitch on the bottom and one M5 screw hole on the rear.)

Note:

When attaching an accessory item to a speaker, be careful of the length of the screws used. Use only screws that provide the required strength with a screw length between 7 and 12 mm.



Precaution on use

- This speaker system can handle the specified input power when it is used for ordinary music reproduction. If the following abnormal signals are fed to the speaker, however, an overcurrent may flow in the internal circuits, causing burning or breakage of the wires even if the input power is below the specified rating.
 1. Noise produced when FM station is not tuned in
 2. Sound produced when fast-forwarding cassette tape deck
 3. High-frequency sound generated by an oscillator, an electronic musical instruments, etc.
 4. Oscillating amplifier signals
 5. Special test signals produced by audio checking CD, etc.
 6. Sound produced when connecting or disconnecting audio connection cables (Always turn off the amplifier's power before connecting or disconnecting cables.)
 7. Howling when a microphone is used
- Do not place magnetic objects such as screwdrivers and iron parts near the speaker system since they use speakers with strong magnets. Otherwise, the objects may be attracted, causing injury or damaging the diaphragm.

Speaker care

Your Onkyo speakers are finished with a very high quality polymer laminate covering that serves to protect the wood speaker cabinet.

The covering may be cleaned with a soft cloth moistened with water and a mild soap. Avoid the use of furniture polishes or harsh cleansers.

Use a soft brush or hand vacuum cleaner to remove dust and lint from the grille material.

Use with a TV set or computer

In general, Braun tubes used for color television sets and computers are extremely sensitive and can be affected even by the magnetism of the earth. If SKC-3600 is used near them, therefore, discoloration or distortion of pictures will occur. To allow use with a color television set or computer, this speaker system is provided with magnetic shielding. Even so, discoloration may still result, depending on the installation environment. If discoloration occurs, turn off the power of the television set or computer, wait for 15 to 30 minutes and then turn it on again. This activates the self-demagnetizing function of the television set or computer, improving the display condition.

Do not place SKM-3600 close to TV or a computer monitor because it has no magnetic shield.

Note:

If discoloration persists even after performing this remedy, move the speaker apart from the television set or computer. Discoloration may also be caused when a magnet or other magnetizing object exists near the television or computer because of the combined effect.

Specifications

SKS-3600

SKC-3600

Type:	2-way bass reflex
Impedance:	8 Ω
Maximum input power:	100 W
Output sound pressure level:	84 dB
Frequency response:	60 Hz - 35 kHz
Crossover frequency:	6000 Hz
Cabinet capacity:	2.3 L
Speaker (woofer):	8 cm cone \times 2
Speaker (tweeter):	2.5 cm balanced dome
Dimensions:	310 (W) \times 104 (H) \times 127 (D) mm (Overall dimensions)
Weight:	2.1 kg
Others:	Magnetic shielding

SKM-3600

Type:	2-way bass reflex
Impedance:	8 Ω
Maximum input power:	100 W
Output sound pressure level:	81 dB
Frequency response:	60 Hz - 35 kHz
Crossover frequency:	6000 Hz
Cabinet capacity:	1.2 L
Speaker (woofer):	8 cm cone
Speaker (tweeter):	2.5 cm balanced dome
Dimensions:	104 (W) \times 169 (H) \times 127 (D) mm (Overall dimensions)
Weight:	1.1 kg

Specifications and appearance are subject to change for improvement without prior notice.

In catalogs and on packaging, the letter added to the end of the product name indicates the color of the SKS-3600. Specifications and operation are the same regardless of color.

ONKYO CORPORATION

Sales & Product Planning Div. : 2-1, Nisshin-cho, Neyagawa-shi, OSAKA 572-8540, JAPAN
Tel: 072-831-8023 Fax: 072-831-8124

ONKYO U.S.A. CORPORATION

18 Park Way, Upper Saddle River, N.J. 07458, U.S.A.
Tel: 201-785-2600 Fax: 201-785-2650 <http://www.onkyousa.com>

ONKYO EUROPE ELECTRONICS GmbH

Liegnitzerstrasse 6, 82194 Groebenzell, GERMANY
Tel: +49-8142-4401-0 Fax: +49-8142-4401-555 <http://www.onkyo.net>

ONKYO CHINA LIMITED

Units 2102-2107, Metroplaza Tower I, 223 Hing Fong Road, Kwai Chung, N.T., HONG KONG Tel: 852-2429-3118 Fax: 852-2428-9039



Free Manuals Download Website

<http://myh66.com>

<http://usermanuals.us>

<http://www.somanuals.com>

<http://www.4manuals.cc>

<http://www.manual-lib.com>

<http://www.404manual.com>

<http://www.luxmanual.com>

<http://aubethermostatmanual.com>

Golf course search by state

<http://golfingnear.com>

Email search by domain

<http://emailbydomain.com>

Auto manuals search

<http://auto.somanuals.com>

TV manuals search

<http://tv.somanuals.com>