

# SATURN SPEAKER

## MOUNTING INSTRUCTIONS

(Direct to ceiling or gangbox)



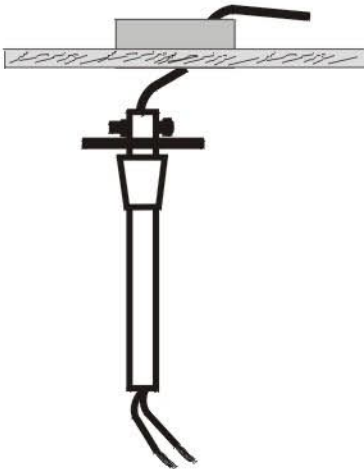
**1.** Slide the plastic cap into the pipe.



**2.** Slide the metal plate into the pipe next to the plastic cap.



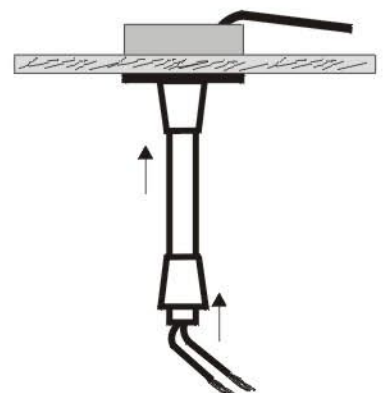
**3.** Screw in the nut and bolt into hole at the end of the pipe.



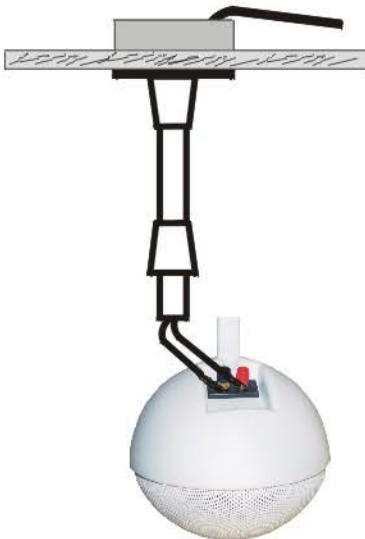
**4.** Run wire thru 1" pipe. Make sure you have enough to reach speaker terminal at the other end of the pipe.



**5.** Screw the metal plate directly to the ceiling or to the gangbox.



**6.** Slide the cap all the way to the metal plate and slide in the other cap at the other end of the pipe.



**7.** Connect speaker wire to the terminals of the Saturn speaker.



**8.** Insert pole over the body stem of the Saturn speaker and add screw in with 1/4" x 20 screw.



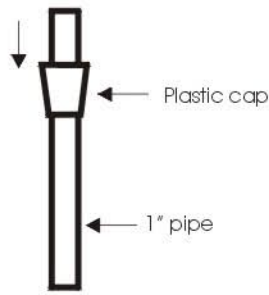
**9.** Slide down the plastic cap until it touches the speaker.

COMPLETED INSTALLATION.

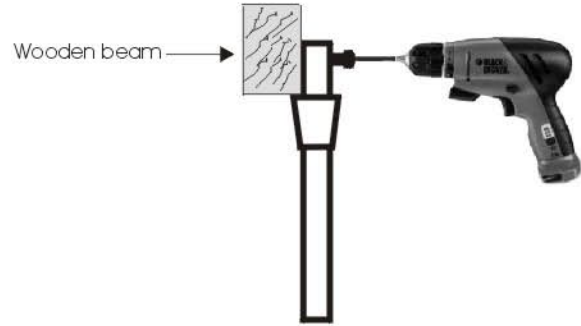
# SATURN SPEAKER

## MOUNTING INSTRUCTIONS

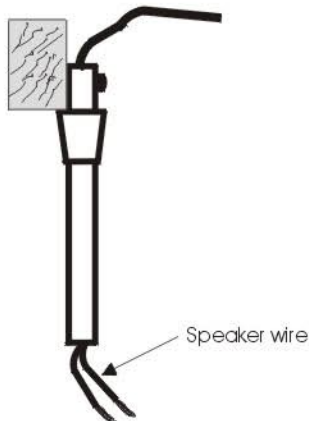
(Direct to beam)



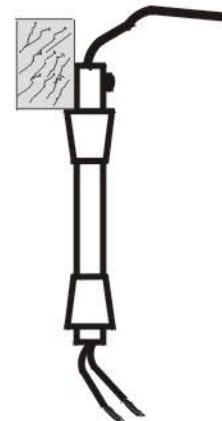
**1.** Slide the plastic cap into the pipe.



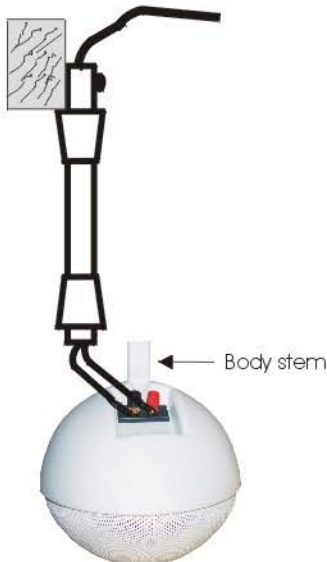
**2.** Screw in one end of the the pipe into the beam.



**3.** Run wire thru 1" pipe. Make sure you have enough to reach speaker terminal at the other end of the pipe.



**4.** Slide the second cap at the lower end of the pipe.



**5.** Connect speaker wire to the terminals of the Saturn speaker.



**6.** Insert pipe over the body stem of the Saturn speaker and add screw in with 1/4" x 20 screw.



**7.** Slide down the plastic cap until it touches the speaker.

COMPLETED INSTALLATION.

## Free Manuals Download Website

<http://myh66.com>

<http://usermanuals.us>

<http://www.somanuals.com>

<http://www.4manuals.cc>

<http://www.manual-lib.com>

<http://www.404manual.com>

<http://www.luxmanual.com>

<http://aubethermostatmanual.com>

Golf course search by state

<http://golfingnear.com>

Email search by domain

<http://emailbydomain.com>

Auto manuals search

<http://auto.somanuals.com>

TV manuals search

<http://tv.somanuals.com>