

ORECK[®] XL[®]

Professional Air Purifier

AIRT Series

User's Guide



ORECK clean home[™]
HEALTHIER. EASIER. SMARTER.[™]

Important!

Read all instructions carefully, and keep for future reference.

Enjoy.



Thank you for purchasing an Oreck Professional Air Purifier! You will enjoy years of cleaner, fresher air with the Oreck air purifier in your home. It includes six different air purification technologies to provide unique protection against airborne pollutants and allergens:

- Stage 1. The pre-filter removes large particles, including dust, lint, and hair.
- Stages 2 and 3 are part of the Truman Cell™ proprietary technology.
- Stage 2. Positive charging wires electrostatically charge smaller particles such as dust, smoke, pollen, bacteria, molds, viruses, and fungi.
- Stage 3. The electronic collector cell collects the electrostatically charged particles and destroys the bacteria, molds, viruses and fungi.
- Stage 4. The optional odor absorber removes common household odors and chemical fumes.
- Stage 5. The Oxygenator changes atmospheric ozone to harmless oxygen.
- Stage 6. The optional air revitalizer negative ion generator provides additional air freshness and a pleasant, clean scent through the release of negative ions.

This combination of technologies provides broad protection against a wide range of contaminants to make your home healthier, cleaner, and more livable. Enjoy!

At Oreck, we understand that our customers are unique and expect superior service. To meet your needs, we offer different customer service options to work with your lifestyle and preferences. Welcome to our **Call. Click. Visit.** customer service program.

Call.



To speak with an Oreck representative call:
 USA: **1•800•989•3535**
 Canada: **1•888•676•7325**

Click.



On the web, point and click at:
www.oreck.com

Visit.



Visit us in person at one of over **450** store locations. To find the nearest store, please call **888-oreckstore** (888-673-2578) or visit **www.oreckstore.com**.

Contents.

Safety	4
General Warnings	4
Parts	5
Accessories	5
Replacement Parts	5
Operation	6
Cleaning	8
Cleaning Times	8
Cleaning the Cabinet	8
Cleaning the Air Purifier Components	8
Cleaning the Collector Cell	9
Cleaning the Pre-Filter	9
Cleaning the Oxygenator	10
Maintenance	10
Replacing the optional Odor Absorber	10
Troubleshooting	11
Warranty	12
Español Guía del usuario	13

Safety.

General Warnings

! IMPORTANT SAFETY INSTRUCTIONS!

When using an electrical appliance, basic precautions should always be followed, including the following:

READ ALL INSTRUCTIONS BEFORE USING THIS AIR PURIFIER

WARNING To reduce the risk of fire, electric shock, or injury:

- Do not use outdoors or on wet surfaces.
- Use only as described in this manual.
- Do not use with damaged cord or plug. If appliance is not working as it should, has been dropped, damaged, left outdoors, or dropped into water, return it to a service center or call customer service at:
USA: 1-800-989-3535 Canada: 1-888-676-7325
- Do not unplug by pulling on cord. To unplug, grasp the plug, not the cord.
- Do not handle plug or appliance with wet hands.
- Do not put any object into openings. Do not use with any opening blocked; keep free of dust, lint, hair and anything that may reduce air flow.
- Keep hair, loose clothing, fingers and all parts of body away from openings and moving parts.
- Turn off all controls before unplugging.
- Do not use appliance in an enclosed space where oxygen, flammable, explosive or toxic vapors are given off or in an area where flammable dust is present.
- You should consult your oxygen and medical equipment providers before using the air purifier around oxygen tanks, hoods, or other medical devices using concentrated oxygen. Using electronic devices, including an air purifier, in the presence of oxygen and other combustible gases could result in fires or explosions, potentially causing serious injury or even death.

SAVE THESE INSTRUCTIONS

CAUTION!

Installing a wet or even damp collector cell into the air purifier may cause melting of internal components during use.

- DO NOT place a wet or damp collector cell in the air purifier.
- DO NOT wash the odor absorber. Replace, if necessary.
- Dry the collector cell thoroughly outside of the air purifier before reinstalling it into the air purifier. Ensure that all areas including corners and areas that may trap water are dry before reinstalling into the air purifier.

FOR COMMERCIAL USE:

High voltage from collector cell may cause ignition of flammable or explosive gases/particles in the circulating air.

- DO NOT use in an area that contains flammable or explosive gases/particles in the circulating air.

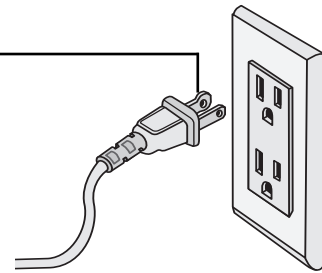
- Do not place open flames, including candles, directly in front of the air purifier. Doing so may result in minor or moderate injury.
- Keep objects away from the front grill.

It is important to consider the following when deciding on where to locate the air purifier:

- Position the air purifier on a flat, solid, stable surface.
- Position the air purifier where the dirty air is not drawn across your head or body while sitting or sleeping.
- Position the air purifier so the plug on the power cord easily reaches a standard electrical outlet for a polarized plug.
- Do not use an extension cord.
- Do not place the air purifier near sources of heat, such as stove tops, ovens, radiators or computers.

A polarized plug has one rounded prong and one straight prong. The rounded end goes into the longest socket slot.

To reduce the risk of electric shock, this equipment has a polarized plug (one blade is wider than the other). This plug will fit in a polarized outlet only one way. If the plug does not fit fully in the outlet, reverse the plug. If it still does not fit, contact qualified personnel to install the proper outlet. Do not alter the plug in any way.



Parts.

All accessories and replacement parts are sold separately. To order, call our customer service group or visit our website. Please have your model number from the data label inside the cabinet door of the unit.

Accessories

Item	Part Number
Assail-a-Cell [®] Collector Cell Cleaner, 20 oz.	32358
Spring Mulberry [®] Scent Cartridges, 8 pack	FA2PK
Blooming Jasmine [®] Scent Cartridges, 8 pack	FA3PK
Odor Absorber Plus	AT1PKT

Replacement Parts

Item	Part Number
Pre-Filter	09-20200-01
Collector Cell	09-20080-01

Customer Service Hotline

USA: 1•800•989•3535 Canada: 1•888•676•7325

website: www.oreck.com

TIPS for clean air

Use
ONLY Oreck
certified parts and
accessories.

Operation.

Simply follow the **numbered steps** to use your Air Purifier.

Each call out describes the features of the Air Purifier and how it functions.

Collector Cell Light

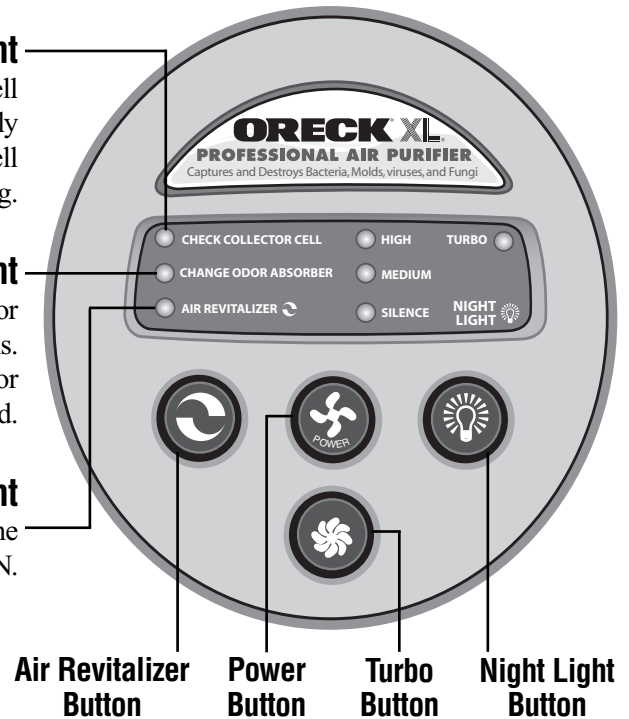
Turns red when the collector cell needs cleaning. Automatically resets when the collector cell has been removed for cleaning.

Odor Absorber Light

Turns red when the optional odor absorber has been in use 12 months. Automatically resets when the odor absorber has been replaced.

Air Revitalizer Light

Indicates when the Air Revitalizer is ON.



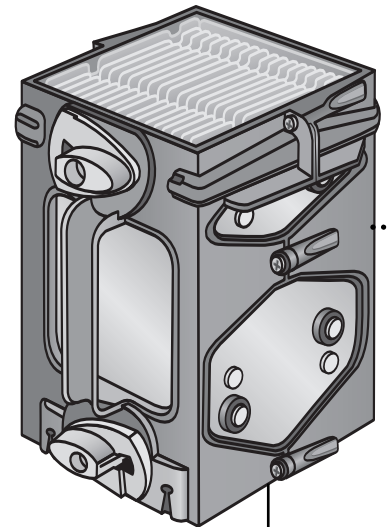
1 Place. Locate the air purifier on the floor. Do not position the air purifier so that it draws dirty air across the head or body.

2 Plug In. Plug into nearest standard electrical outlet that accepts a polarized plug.

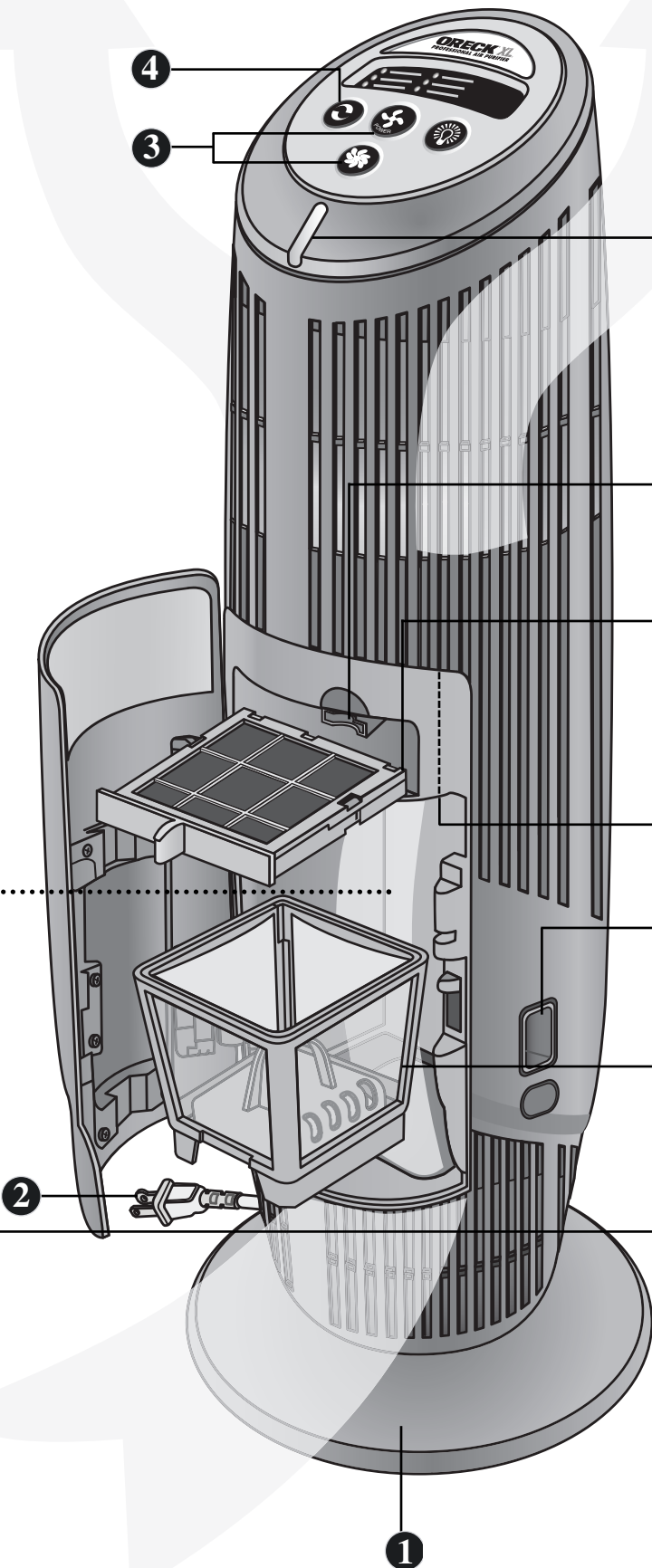
3 Select the air cleaning speed. Press the power button for the desired speed.

- **High** for maximum cleaning.
- **Medium** for normal use.
- **Silence** for Silence Technology®. The quietest setting, cleaning the air as effectively but more slowly than the higher settings.
- **Turbo** provides greatest cleaning power for the toughest problems.

4 Turn on the Air Revitalizer. Provides additional air freshness and a pleasant, clean scent through the release of negative ions. Negative ions may cause dust to settle from the air onto the air purifier and surrounding furnishings. Designed to run continually, but may be turned off if desired.



TIPS for clean air
Turbo is great for tough problems like pet odors, cigar smoke or burnt toast.



TIPS for clean air
 Position the Air Purifier so dirty air is not drawn across your head or body.

Night Light

Conveniently lights your room if desired.

Fragrance Compartment

Holds the scent cartridge to provide optional fragrances to the air returned to the room.

Odor Absorber

Optional feature that removes odors and chemical fumes from glue, solvents, and synthetic materials. The purifier continues to clean the air with or without the odor absorber.

Oxygenator

Permanent cartridge converts ozone into oxygen.

Cabinet Door Button

To open the cabinet door, press in on the bottom button and press down on the top button.

Pre-Filter

Removes large particles such as dust, hair and lint. It is located under the collector cell and can be pulled out by the handle in the bottom of the basket.

Collector Cell

Electrostatically charges, collects and destroys small particles such as dust, smoke, pollen, bacteria, mold, viruses and fungi.

Remove the collector cell by turning the yellow latches counterclockwise. Pull out by the black handle.

Cleaning.

Cleaning Times

Proper care and cleaning of the air purifier is critical to performance. The unit has been designed to make this as simple as possible. The following chart shows the cleaning intervals and methods.

Part	Cleaning Time	Method
Cabinet	As needed	Wipe with damp cloth first. If required, follow with mild, non-abrasive cleaner.
Collector Cell	2 to 4 weeks, or as needed	Spray Oreck Assail-a-Cell [®] cleaner or soak in warm water with mild liquid detergent. Rinse and dry thoroughly.
Pre-filter	2 to 4 weeks, or as needed	Rinse thoroughly in warm water.
Odor Absorber	12 months, or as needed	Replace (optional for odor removal). Do not wash or get wet. Vacuum to clean, if necessary.
Oxygenator	As needed	Vacuum the front with a soft brush attachment. Do not use any liquids for cleaning.

⚠ WARNING!

Cleaning the unit while it is plugged in may result in electric shock, electric spark and serious injury. Unplug the unit before cleaning or maintenance.

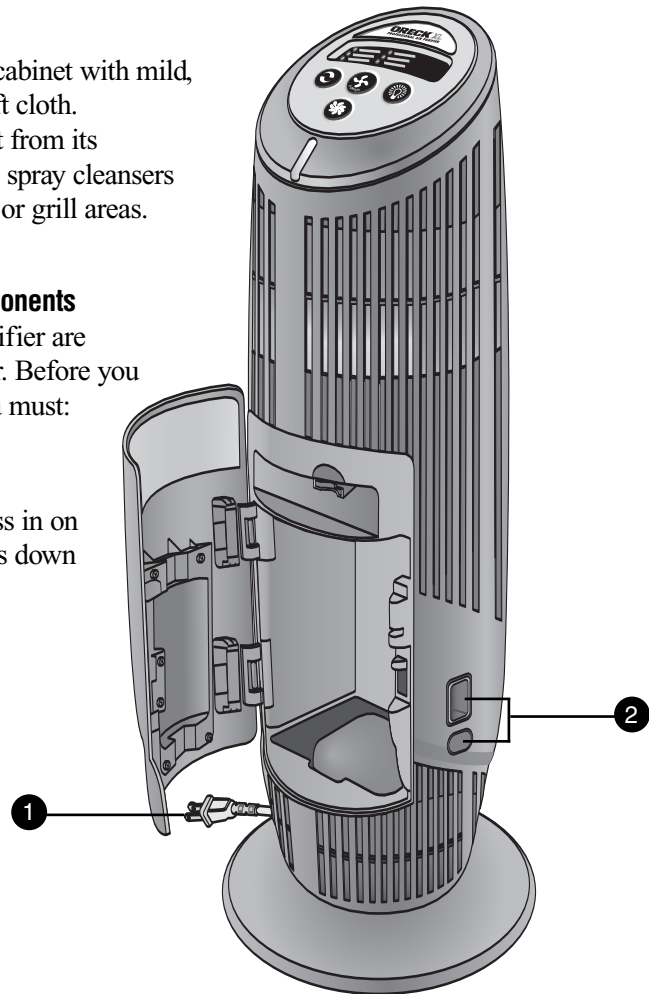
Cleaning the Cabinet

You can clean the Air Purifier cabinet with mild, non-abrasive cleanser and a soft cloth.
IMPORTANT: Unplug the unit from its electrical power source. Do not spray cleansers or furniture polish into louvers or grill areas.

Cleaning the Air Purifier Components

All components to your air purifier are located behind the cabinet door. Before you begin any cleaning process you must:

- 1 Unplug the air purifier.
- 2 Open the cabinet door, press in on the bottom button and press down on the top button.



TIPS for clean air
 The air purifier will not run if the cabinet door is not closed securely.

Cleaning the Collector Cell

Note: The collector cell may require more frequent cleaning if “arcing” occurs. Arcing is a sharp snapping sound that occurs when large particles of dust are collected in the collector cell. If prolonged or continuous arcing occurs the collector cell should be cleaned.

IMPORTANT: Do not try to clean the collector cell by inserting a cloth, brush, or other object between the cell plates.

- 1 To remove the collector cell, turn the yellow latches counterclockwise. Pull straight out by the black handle.
- 2 Place collector cell in sink, bathtub, or other location where cleaner and contaminants will rinse away without damaging surfaces.
- 3 Spray Oreck Assail-A-Cell® cleaner thoroughly between each cell plate. Allow the cleaner to soak for a few minutes and rinse with clean water. Do not let the cleaner dry on the collector cell.

An alternative method to clean the collector cell is to soak it in warm water for two to three hours. Mild liquid dish detergent may be used to help break down dirt. Rinse thoroughly with water.

Note: Do not put in dishwasher or insert objects to clean the collector cell. Do not wash the collector cell with bleach or other abrasive cleaners.

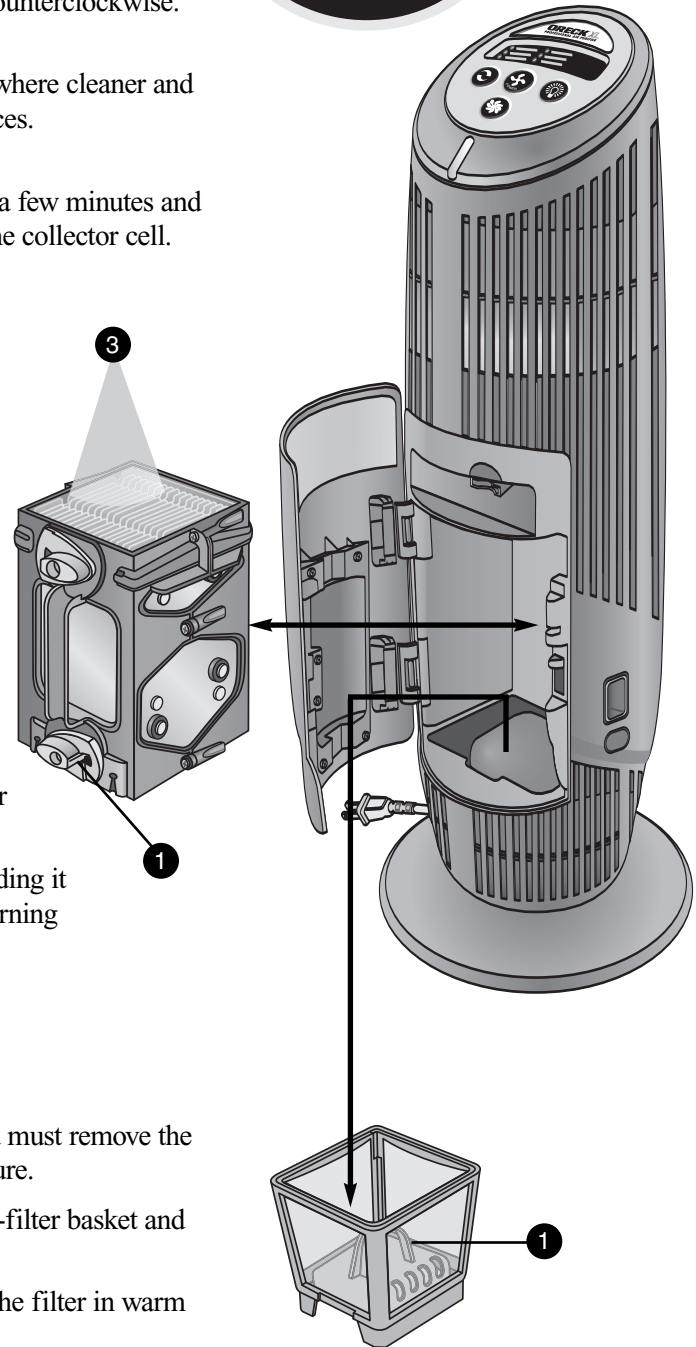
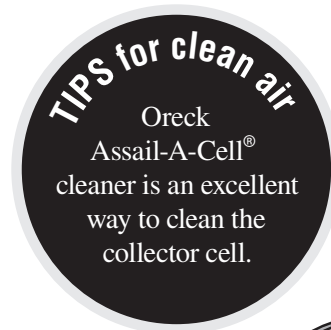
Tough residue such as tar from tobacco smoke may need additional applications or longer soaking.

- 4 Allow to dry completely outside of the air purifier. Do not use heated or compressed air to dry. **IMPORTANT:** Do not reinsert the collector cell until it is completely dry. If the “Check Collector Cell” light blinks red after replacing the collector cell, then the collector cell is still wet. Remove the collector cell and allow it to finish air drying.
- 5 Place the collector cell back into the air purifier by sliding it straight into the cabinet. Lock the yellow latches by turning clockwise.
- 6 Close the cabinet door securely.

Cleaning the Pre-Filter

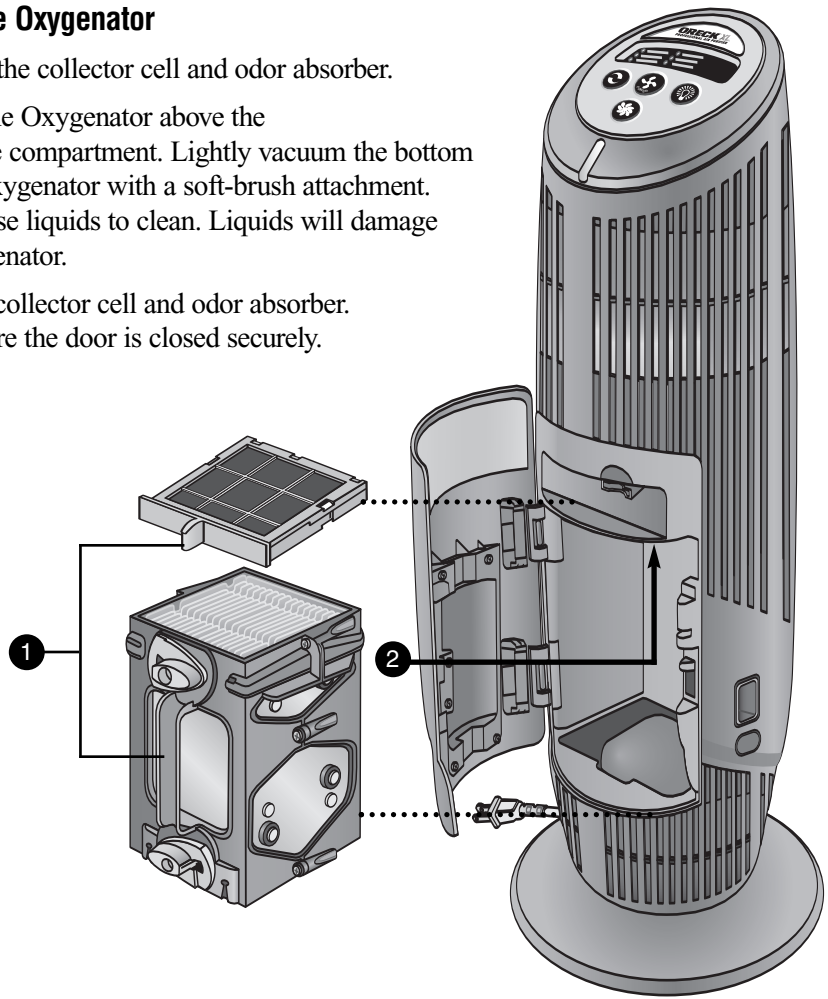
Note: The pre-filter is located under the collector cell. You must remove the collector cell first by following step 1 in the above procedure.

- 1 Grasp the blue handle located in the middle of the pre-filter basket and pull the pre-filter straight up and out of the cabinet.
- 2 Lightly brush the surface to loosen the dirt and wash the filter in warm water. Do not bend or twist the filter during cleaning.
- 3 Thoroughly rinse the pre-filter and let it air dry completely before placing it back in the cabinet. Do not use heated or compressed air as part of the drying process.
- 4 Place the pre-filter back into the unit and then replace the collector cell by following step 4 in the above procedure.
- 5 Close the cabinet door securely.



Cleaning the Oxygenator

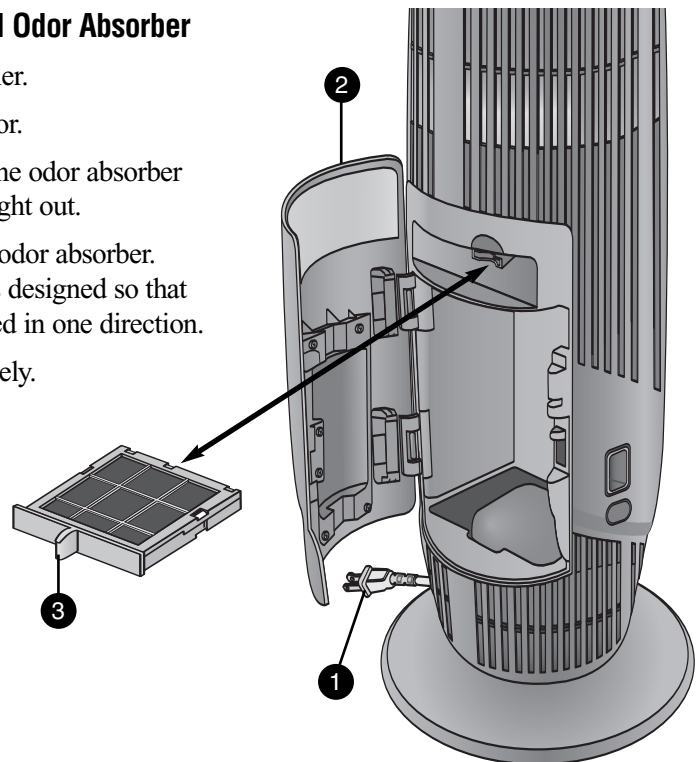
- 1 Remove the collector cell and odor absorber.
- 2 Locate the Oxygenator above the fragrance compartment. Lightly vacuum the bottom of the Oxygenator with a soft-brush attachment. Do not use liquids to clean. Liquids will damage the oxygenator.
- 3 Replace collector cell and odor absorber. Make sure the door is closed securely.



Maintenance.

Replacing the optional Odor Absorber

- 1 Unplug the air purifier.
- 2 Open the cabinet door.
- 3 Grasp and squeeze the odor absorber handle and pull straight out.
- 4 Replace with a new odor absorber. The odor absorber is designed so that it can only be inserted in one direction.
- 5 Close the door securely.



Trouble-shooting.

Service problems that appear to be major can often be solved easily.

You can be your own troubleshooter by reviewing this guide.

All other servicing should be done by an Oreck authorized service center.

Problem	Check	What to do
Unit does not turn on.	<ul style="list-style-type: none"> • Power Cord • Power Button • Cabinet Door 	<ul style="list-style-type: none"> • Plug in the power cord. • Set power button for desired blower speed. • Make sure cabinet door is closed securely.
“Check Collector Cell” has turned red.	<ul style="list-style-type: none"> • Collector Cell 	<ul style="list-style-type: none"> • Wash collector cell. Make sure it is thoroughly clean and dry before reinstalling.
“Check Collector Cell” light is flashing red.	<ul style="list-style-type: none"> • Collector Cell 	<ul style="list-style-type: none"> • Collector cell may need cleaning. Clean collector cell. • Collector cell may not be completely dry. Allow it to air dry longer. • Collector cell may be damaged. Contact Oreck for service.
Unit does not remove pollutants.	<ul style="list-style-type: none"> • Collector Cell 	<ul style="list-style-type: none"> • Wash collector cell. Make sure it is thoroughly clean and dry before reinstalling.
Unit sparks, crackles and pops.	<ul style="list-style-type: none"> • Collector Cell 	<ul style="list-style-type: none"> • Sparking or popping noise (arcing) occurs when a large particle is captured in the collector cell. • If the unit is arcing excessively, the collector cell may be dirty. Try cleaning the collector cell. • If excessive arcing continues after proper cleaning, the cell may be damaged or wet. If damaged, contact Oreck for service.
“Check Odor Absorber” light has turned red.	<ul style="list-style-type: none"> • Odor Absorber 	<ul style="list-style-type: none"> • Replace odor absorber if desired. • If the odor absorber is not replaced, remove old odor absorber to turn off “Check Odor Absorber” light.
Does not remove odor.	<ul style="list-style-type: none"> • Odor Absorber 	<ul style="list-style-type: none"> • Vacuum odor absorber with a soft brush attachment if dirty. Do not use any liquids to clean the odor absorber. • Replace odor absorber if desired.
Unit still does not operate properly.	<ul style="list-style-type: none"> • Check all the above points. 	<ul style="list-style-type: none"> • Contact Oreck for service.

Warranty.



ORECK MANUFACTURING COMPANY: (Oreck Manufacturing Company gives you the following limited warranty for this product only if it was originally purchased for residential use, not resale, from Oreck or an Oreck Authorized Retail Dealer.)

Oreck will repair or replace, free of charge, to the original purchaser, any part that is found to be defective in material or workmanship within five (5) years of the date of purchase and a lifetime warranty on the Collector Cell for all residential models.

NOTE: If the unit is used commercially, a one (1) year overall warranty applies.

This limited warranty does not cover the replacement of expendable or consumable parts such as filters, cartridges, and other parts subject to normal wear unless they are defective in material or workmanship.

This limited warranty does not apply to any part subjected to accident, abuse, commercial use, alteration, misuse, damage caused by act of God, the use of voltages other than on the data plate of this product or service of this product by other than Oreck or a participating Factory Authorized Service Center.

Oreck does not authorize any person or representative to assume or grant any other warranty obligation with the sale of this product.

Oreck's limited warranty is valid only if you retain proof of purchase from Oreck or an Oreck Authorized Retail Dealer for this product. If you purchase this product from any other source, your purchase is "AS IS," which means Oreck grants you no warranty, and that you, not Oreck, assume the entire risk of the quality and performance of this product, including the entire cost of any necessary servicing or repairs of any defects.

Oreck's liability for damages to you for any costs whatsoever arising out of this statement of limited warranty shall be limited to the amount paid for this product at the time of original purchase, and Oreck shall not be liable for any direct, indirect, consequential or incidental damages arising out of the use or inability to use this product. Some states do not allow the exclusion or limitation of incidental or consequential damages, so the above limitation or exclusion may not apply to you.

ALL EXPRESS AND IMPLIED WARRANTIES FOR THIS PRODUCT, INCLUDING IMPLIED WARRANTIES OF MERCHANTABILITY AND FITNESS FOR A PARTICULAR PURPOSE, ARE LIMITED IN DURATION TO THE WARRANTY PERIOD, AND NO WARRANTIES, WHETHER EXPRESS OR IMPLIED, WILL APPLY AFTER THIS PERIOD.

Some states do not allow limitations on the duration of implied warranties, so the above limitation may not apply to you.

This warranty gives you specific legal rights, and you may also have other rights which vary from state to state.

ORECK

© 2006 Oreck Holdings, LLC.

All rights reserved. All word marks, logos, product configurations and registered trademarks are owned and used under the authority of Oreck Holdings, LLC.

ORECK[®] XL[®]

Purificador profesional de aire Serie AIRT

Guía del
usuario



ORECK clean home[™]
HEALTHIER. EASIER. SMARTER.[™]

¡Importante!

Lea todas las instrucciones cuidadosamente, y conserve esta Guía para consultas en el futuro.

Disfrute.



¡Gracias por comprar un Purificador Profesional de Aire Oreck! Usted disfrutará de muchos años de aire más limpio y fresco con el purificador de aire Oreck en su hogar. Incluye cinco tecnologías diferentes de purificación de aire, para proporcionar una protección exclusiva contra los contaminantes y alérgenos que se encuentran en suspensión en el aire:

Etapas 1. El prefiltro elimina partículas grandes, incluidas las del polvo, la pelusa y los cabellos.

Las Etapas 2 y 3 son parte de la tecnología patentada Truman Cell™.

Etapas 2. Los alambres de carga positiva cargan electrostáticamente partículas pequeñas como las de polvo, humo, polen, bacterias, moho, virus y hongos.

Etapas 3. La celda colectora electrónica recolecta las partículas cargadas electrostáticamente y destruye las bacterias, moho, virus y hongos.

Etapas 4. El absorbedor de olores opcional elimina los olores domésticos y emanaciones químicas más comunes.

Etapas 5. El oxigenador convierte el ozono atmosférico en oxígeno inocuo.

Etapas 6. El revitalizador de aire (generador de iones negativos) opcional proporciona al aire una frescura adicional y un aroma agradable y limpio, gracias a la liberación de iones negativos.

Esta combinación de tecnologías proporciona protección plena contra una amplia gama de contaminantes, para hacer su hogar más sano, limpio y habitable. Disfrute.

En Oreck comprendemos que nuestros clientes son únicos y esperan un servicio superior. A fin de satisfacer sus necesidades ofrecemos diferentes opciones de servicio al cliente, para trabajar con su estilo de vida y sus preferencias. Le damos la bienvenida a nuestro programa de servicio al cliente **'Llame. Haga clic. Visite.'**

Llame.



Para hablar con un representante Oreck llame a:

En E. U. de A.: **1•800•989•3535**

En Canadá: **1•888•676•7325**

Haga clic.



En la Web, apunte y haga clic en: **www.oreck.com**

Visite.



Visítenos personalmente en uno de los **450** sitios en tiendas. Para encontrar la tienda más cercana, por favor llame al teléfono **888-oreckstore** (888-673-2578) o visite **www.oreckstore.com**.

Índice.

Seguridad	16
Advertencias generales	16
Piezas	17
Accesorios	17
Piezas de repuesto	17
Operación	18
Limpieza	20
Tiempos de limpieza	20
Limpieza de gabinete	20
Limpieza de los componentes del purificador de aire	20
Limpieza de la celda colectora	21
Limpieza del prefiltro	21
Limpieza del oxigenador	22
Mantenimiento	22
Reemplazo del absorbedor de olores	22
Localización de fallas	23
Garantía	24

Seguridad.

Advertencias generales

⚠ ¡INSTRUCCIONES DE SEGURIDAD IMPORTANTES!

Cuando se use un artefacto eléctrico deben observarse siempre las precauciones básicas, incluidas las siguientes:

LEA TODAS LAS INSTRUCCIONES ANTES DE UTILIZAR ESTE PURIFICADOR DE AIRE

ADVERTENCIA - Para reducir el riesgo de incendio, choque eléctrico o lesiones:

- No lo use en exteriores o sobre superficies húmedas.
- Úselo únicamente de la forma descrita en este manual.
- No lo use con un cordón o enchufe dañado. Si el artefacto no está funcionando como debería, o si se ha caído, dañado, dejado a la intemperie o sumergido en el agua, devuélvalo a un centro de servicio o llame al Servicio al Cliente, a:
En E. U. de A.: 1-800-989-3535 En Canadá: 1- 888-676-7325
- No lo desenchufe tirando del cordón. Para desenchufar sujete el enchufe, no el cordón.
- No maneje el enchufe o el artefacto con las manos húmedas.
- No inserte ningún objeto por las aberturas. No use el artefacto con alguna abertura bloqueada; manténgalo libre de polvo, pelusa, cabellos y todo aquello que pueda reducir el flujo de aire.
- Mantenga su cabello, ropa suelta, dedos y todas las partes de su cuerpo lejos de las aberturas y de las partes móviles.
- Lleve todos los controles a la posición APAGADO (OFF) antes de desenchufar.
- No use el artefacto en un espacio encerrado en el que haya desprendimiento de oxígeno o vapores inflamables, explosivos o tóxicos, o en un área en la que esté presente polvo inflamable.
- Usted debe consultar a sus proveedores de oxígeno y equipos médicos antes de utilizar el purificador de aire cerca de tanques de oxígeno, campanas u otros dispositivos médicos que usen oxígeno concentrado. La utilización de dispositivos electrónicos -incluido un purificador de aire- en presencia de oxígeno y otros gases combustibles, podría provocar incendios o explosiones, con la posibilidad de causar graves lesiones o incluso la muerte.

EXCEPTO ESTAS INSTRUCCIONES

¡ATENCIÓN!

La instalación de una celda colectora mojada o aun húmeda dentro del purificador de aire puede provocar el derretimiento de componentes internos durante el uso.

- NO coloque una celda colectora mojada o húmeda en el purificador de aire.
- NO lave el absorbedor de olores. Reemplácelo, si fuera necesario.
- Antes de volver a instalar la celda colectora en el purificador de aire, séquela bien a fondo fuera del equipo. Asegúrese de que todas las áreas, en especial los ángulos y las áreas en las que pueda quedar atrapada agua, estén secas antes de su reinstalación en el purificador de aire.

PARA USO COMERCIAL:

La alta tensión de la celda colectora puede provocar la ignición de gases y/o partículas inflamables o explosivas presentes en el aire circulante.

- NO utilice el equipo en un área que contenga gases y/o partículas inflamables o explosivas presentes en el aire circulante.

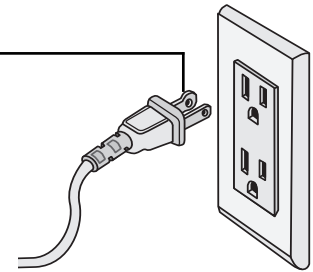
- No coloque llamas abiertas, incluidas las velas, directamente frente al purificador de aire. Si lo hace, puede recibir lesiones menores o moderadas.
- Mantenga los objetos lejos de la rejilla frontal.

Al decidir dónde ubicar el purificador de aire, es importante considerar lo siguiente:

- Posicione el purificador de aire sobre una superficie plana, sólida y estable. No coloque nunca la unidad sobre superficies blandas como una cama, sofá o alfombra.
- Posicione el purificador de aire donde el aire sucio no sea conducido hacia su cabeza o su cuerpo cuando se siente o esté durmiendo.
- Posicione el purificador de aire de modo que el enchufe del cordón de alimentación eléctrica alcance fácilmente un tomacorriente eléctrico estándar para enchufe polarizado.
- No utilice un cordón de extensión.
- No coloque el purificador de aire cerca de fuentes de calor, como cocinas encimeras, hornos, radiadores o computadoras.

Un enchufe polarizado tiene una espiga de conexión redondeada y otra recta. El extremo redondeado va en la ranura más larga del tomacorriente.

Para reducir el riesgo de choque eléctrico, este equipo cuenta con un enchufe polarizado (una paleta es más ancha que la otra). Este enchufe se podrá insertar en un tomacorriente polarizado, de una sola manera. Si el enchufe no se inserta completamente en el tomacorriente, inviértalo. Si sigue sin poder conectarse, comuníquese con una persona calificada para que instale un tomacorriente adecuado. No altere el enchufe de ninguna forma.



Piezas.

Todos los accesorios y piezas de repuesto se venden separadamente. Para hacer pedidos, llame a nuestro grupo de servicio al cliente o visite nuestro sitio Web. Por favor, tenga presente el número de modelo indicado en la etiqueta de datos que está en la cara inferior de la unidad.

Accesorios

Elemento	Número de pieza
Limpiador de celda colectoras Assail-a-Cell®, 600 mL (20 onzas).	32358
Cartuchos de aroma Spring Mulberry®, paquete de 8	FA2PK
Cartuchos de aroma Blooming Jasmine®, paquete de 8	FA3PK
Absorbedor de olores	AP1PKP

Piezas de repuesto

Elemento	Número de pieza
Prefiltro	09-20200-01
Celda colectoras	09-20080-01

Línea gratuita de servicio al cliente

En E. U. de A.: 1•800•989•3535 En Canadá: 1•888•676•7325

Sitio Web: www.oreck.com



Operación.

Simplemente siga los **pasos numerados** para utilizar su Purificador de Aire.

Cada anotación describe las características del Purificador de Aire y cómo funcionan.

Bombilla de Celda Colectora

Se enciende cuando la celda colectoras necesita limpieza. Se apaga automáticamente cuando la celda colectoras ha sido removida para limpieza.

Bombilla del Absorbedor de Olores

Se enciende cuando el absorbedor de olores opcional ha estado en uso durante 12 meses. Se apaga automáticamente cuando el absorbedor de olores ha sido reemplazado.

Bombilla del Revitalizador de Aire

Esta bombilla indica cuándo está encendido el Revitalizador de Aire.



1 Ubique.

Coloque el purificador de aire sobre el piso. Ubique el purificador de aire de tal modo que éste no arrastre el aire contaminado alrededor de su cabeza o cuerpo.

2 Enchufe.

Enchufe en el tomacorriente eléctrico estándar más cercano que acepte un enchufe polarizado.

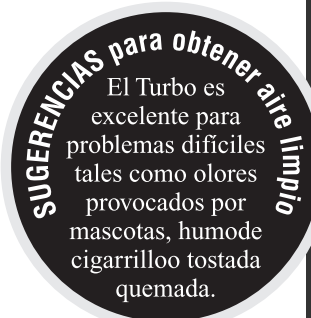
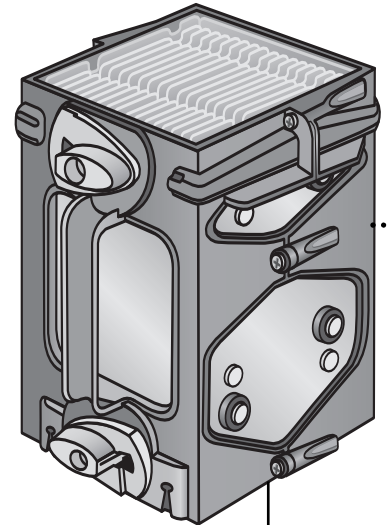
3 Seleccione la velocidad de limpieza del aire.

Presione el botón de encendido para la velocidad deseada.

- **Alta (High)** para máxima limpieza.
- **Media (Medium)** para uso normal.
- **Silencio (Silence)** para la Tecnología de Silencio (Silence Technology®). El valor más silencioso, limpia el aire con igual efectividad pero más lentamente que los valores de mayor velocidad.
- **Turbo** proporciona la mayor energía de limpieza para los problemas de mayor contaminación.

4 Encienda el Revitalizador de Aire.

Proporciona frescura de aire adicional y una fragancia a limpio placentera, mediante la liberación de iones negativos. Los iones negativos podrían causar que el polvo se asiente del aire sobre el purificador de aire y las superficies circundantes. Está diseñado para funcionar de manera continua, pero puede apagarse si se desea.



CONSEJOS para el aire limpio

Posicione el purificador de aire de modo que el aire sucio no sea conducido hacia su cabeza o su cuerpo.

4

3

Luz Nocturna

Ilumina de manera conveniente su salón si se desea.

Compartimiento de Fragancias

Sostiene el cartucho de fragancia para suministrar fragancias opcionales al aire que se entrega de regreso al salón.

Absorbedor de Olores

Característica opcional que elimina los olores y los vapores químicos procedentes de pegamentos, solventes, y materiales sintéticos. El purificador continúa limpiando el aire con o sin el absorbedor de olores.

Oxigenador

El cartucho permanente convierte el ozono en oxígeno.

Botón de Puerta del Gabinete

Para abrir la puerta del gabinete, presione el botón inferior y presione el botón superior.

Prefiltro

Remueve las partículas grandes tales como polvo, pelo y pelusas. Está ubicado debajo de la celda colectora y puede extraerse mediante la manija ubicada en la parte inferior de la canasta.

Celda Colectora

Carga electrostáticamente, recoge y destruye las partículas pequeñas tales como polvo, humo, polen, bacterias, moho, virus y hongos.

Remueva la celda colectora girando en sentido antihorario los cerrojos amarillos. Extraiga mediante la manija de color negro.

2

1

Limpieza.

Tiempos de limpieza

Un cuidado y limpieza apropiados del purificador de aire son decisivos para el buen funcionamiento. La unidad ha sido diseñada para ser lo más sencilla posible. La siguiente tabla muestra los métodos e intervalos de limpieza.

Pieza	Tiempos de limpieza	Método
Gabinete	Según necesidad	Limpie primero con un paño húmedo. Si fuera necesario, continúe con un limpiador suave, no abrasivo.
Celda Colectora	2 a 4 semanas, o según necesidad	Rocíe el limpiador Assail-a-Cell® de Oreck, o remoje en agua caliente con un detergente líquido suave. Enjuague y seque bien a fondo.
Prefiltro	2 a 4 semanas, o según necesidad	Enjuague bien a fondo en agua caliente.
Absorbedor de Olores	12 meses, o según necesidad	Reemplace (opcional, para la eliminación de olores). No lo lave ni lo moje. Si fuera necesario, limpie con aspiradora.
Oxigenador	Según necesidad	Pase por el frente una aspiradora con un accesorio de cepillo suave. No use ningún líquido para la limpieza.

⚠ ¡ADVERTENCIA!

Limpiar la unidad mientras está enchufada podría resultar en descarga eléctrica, chispa eléctrica y lesiones físicas graves. Desenchufe la unidad antes de limpiar o realizar servicio de mantenimiento.

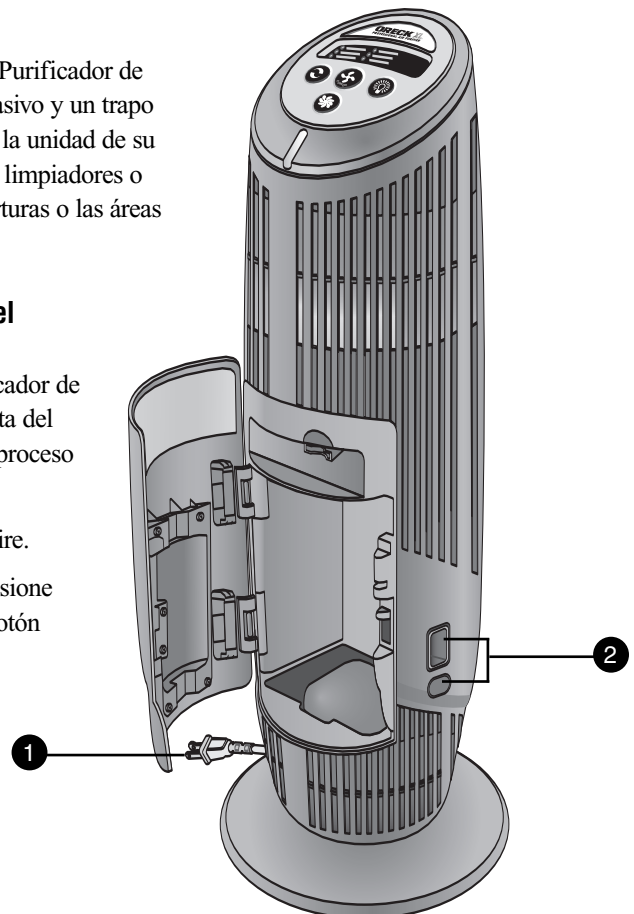
Limpieza del gabinete

Usted puede limpiar el gabinete del Purificador de Aire con un limpiador suave no-abrasivo y un trapo suave. **IMPORTANTE:** Desenchufe la unidad de su fuente de energía eléctrica. No rocíe limpiadores o cera para muebles dentro de las aberturas o las áreas de rejilla.

Limpieza de los componentes del purificador de aire

Todos los componentes de su purificador de aire están ubicados detrás de la puerta del gabinete. Antes de iniciar cualquier proceso de limpieza, usted debe:

- 1 Desenchufar el purificador de aire.
- 2 Abrir la puerta del gabinete, presione el botón inferior y presione el botón superior.



SUGERENCIAS para obtener aire limpio

El purificador de aire no funcionará si la puerta del gabinete no está cerrada firmemente.

Limpieza de la Celda Colectora

Nota: La celda colectora podría requerir una limpieza más frecuente si se escucha un “sonido crujiente”. El sonido crujiente es un sonido de chasquidos agudos que se produce cuando se recogen partículas grandes de polvo en la celda colectora. Si se escucha un sonido crujiente prolongado o continuo, la celda colectora debe limpiarse.

IMPORTANTE: No trate de limpiar la celda colectora insertando un trapo, cepillo, u otro objeto entre las placas de celda.

- 1 Para remover la celda colectora, gire en sentido antihorario los cerrojos amarillos. Extraiga en línea recta mediante la manija de color negro.
- 2 Coloque la celda colectora en un recipiente, bañera, u otro lugar donde el limpiador y los contaminantes serán enjuagados sin dañar las superficies.
- 3 Rocíe minuciosamente el limpiador Assail-A-Cell® de Oreck entre cada placa de celda. Permita que el limpiador sea absorbido durante unos pocos minutos y enjuague con agua limpia. No permita que el limpiador se seque en la celda colectora. Un método alternativo de limpiar la celda colectora es sumergirlo en agua tibia durante dos a tres horas. Puede utilizarse detergente para platos líquido suave para ayudar a descomponer la suciedad. Enjuague minuciosamente con agua.

Nota: No la coloque dentro de una máquina lavadora de platos ni inserte objetos para limpiar la celda colectora. No lave la celda colectora con blanqueador u otros limpiadores abrasivos.

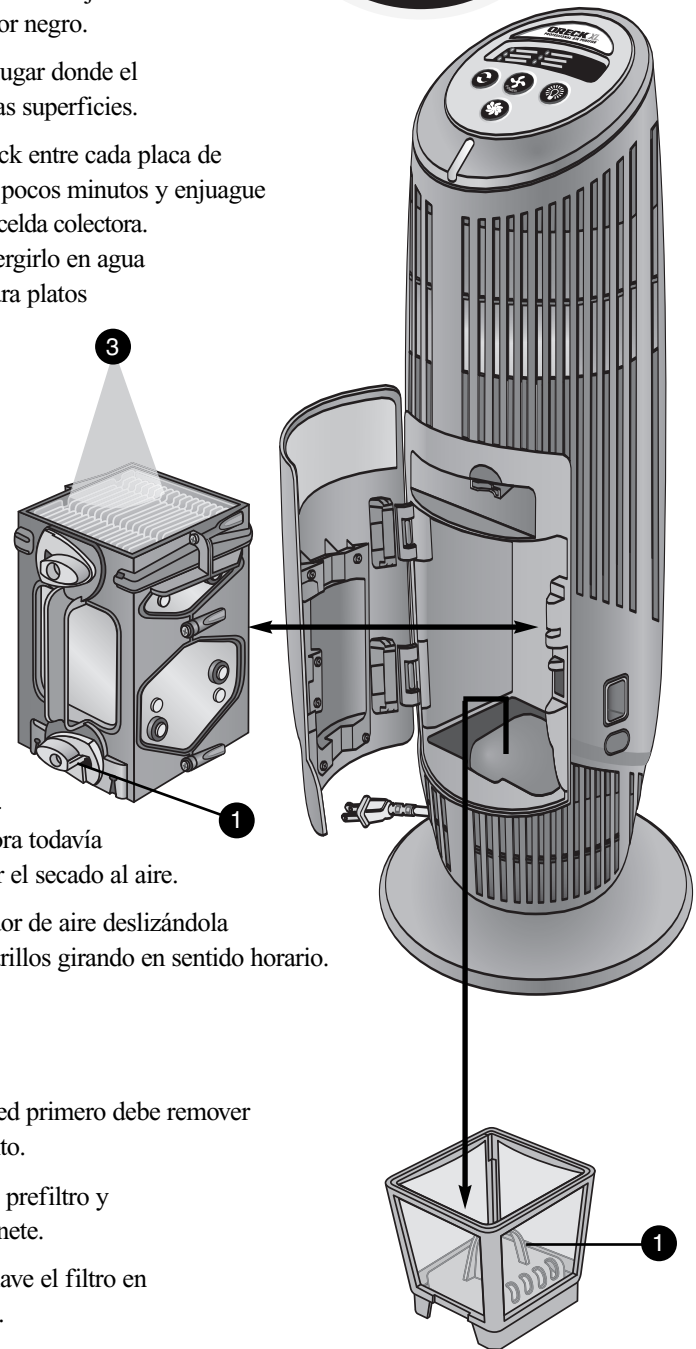
Los residuos difíciles tales como alquitrán del humo de tabaco podrían requerir aplicaciones adicionales o remojo más prolongado.

- 4 Permita secar completamente afuera del purificador de aire. No utilice aire caliente ni comprimido para secar. **IMPORTANTE:** No reinserte la celda colectora hasta que esté completamente seca. Si la bombilla “Revisar Celda Colectora” (Check Collector Cell) destella después de colocar nuevamente la celda colectora, entonces la celda colectora todavía está mojada. Remueva la celda colectora y permita terminar el secado al aire.
- 5 Coloque la celda colectora nuevamente dentro del purificador de aire deslizándola en línea recta dentro del gabinete. Asegure los cerrojos amarillos girando en sentido horario.
- 6 Cierre firmemente la puerta del gabinete.

Limpieza del Prefiltro

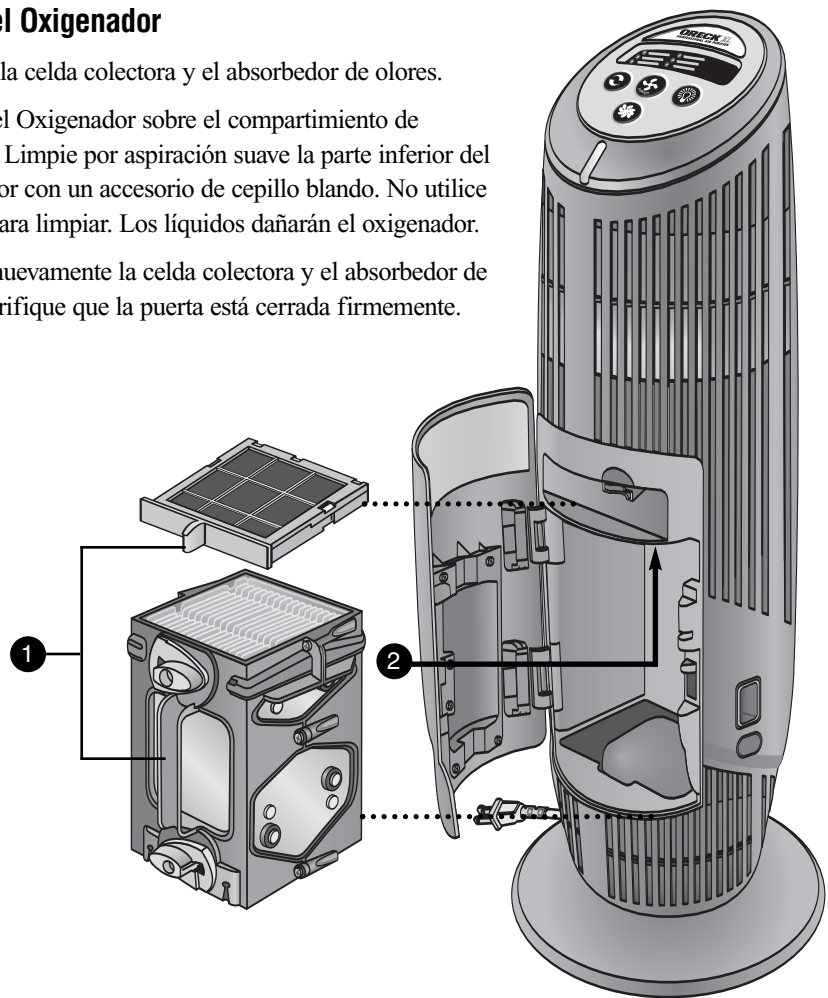
Nota: El prefiltro está ubicado debajo de la celda colectora. Usted primero debe remover la celda colectora siguiendo el paso 1 en el anterior procedimiento.

- 1 Agarre la manija azul ubicada en el centro de la canasta del prefiltro y hale el prefiltro en línea recta hacia arriba y afuera del gabinete.
- 2 Cepille suavemente la superficie para aflojar la suciedad y lave el filtro en agua tibia. No doble ni retuerza el filtro durante la limpieza.
- 3 Enjuague minuciosamente el prefiltro y permita que se seque al aire completamente antes de colocarlo nuevamente en el gabinete. No utilice aire caliente ni comprimido como parte del proceso de secado.
- 4 Coloque el prefiltro nuevamente en la unidad y luego coloque nuevamente la celda colectora siguiendo el paso 4 del anterior procedimiento.
- 5 Cierre firmemente la puerta del gabinete.



Limpeza del Oxigenador

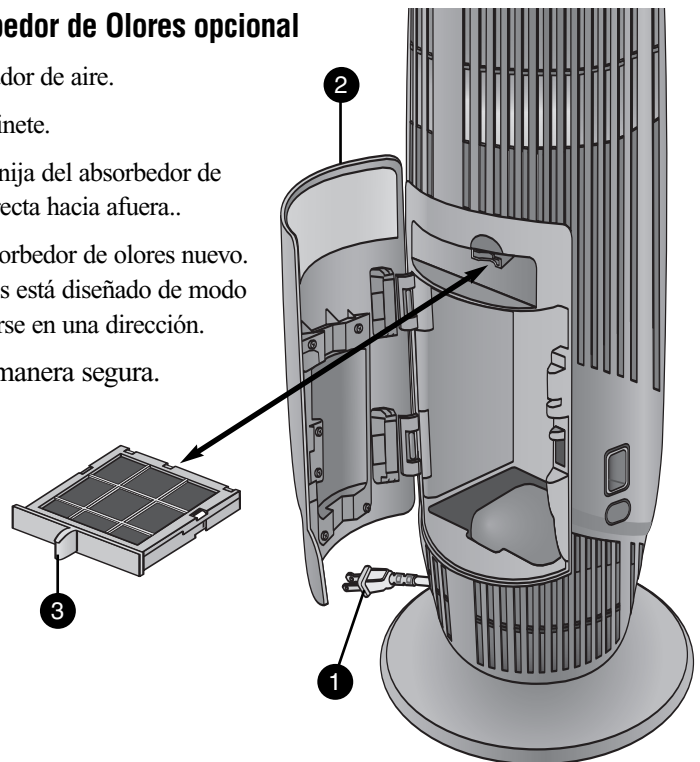
- 1 Remueva la celda colectorora y el absorbedor de olores.
- 2 Localice el Oxigenador sobre el compartimiento de fragancia. Limpie por aspiración suave la parte inferior del Oxigenador con un accesorio de cepillo blando. No utilice líquidos para limpiar. Los líquidos dañarán el oxigenador.
- 3 Coloque nuevamente la celda colectorora y el absorbedor de olores. Verifique que la puerta está cerrada firmemente.



Mantenimiento.

Reemplazo del Absorbedor de Olores opcional

- 1 Desenchufe el purificador de aire.
- 2 Abra la puerta del gabinete.
- 3 Agarre y apriete la manija del absorbedor de olores y hale en línea recta hacia afuera..
- 4 Reemplace con un absorbedor de olores nuevo. El absorbedor de olores está diseñado de modo que sólo pueda insertarse en una dirección.
- 5 Cierre la puerta de manera segura.



Localización de fallas

Algunos problemas de servicio que parecen ser importantes, pueden a menudo resolverse fácilmente. Consultando esta guía, usted puede ser su propio localizador de fallas.

Todo otro servicio debe realizarlo un centro autorizado de servicio Oreck.

Problema	Verifique	Qué hacer
La unidad no enciende.	<ul style="list-style-type: none"> • Cordón de alimentación eléctrica • Botón 'Encendido' ('Power') • Puerta del gabinete 	<ul style="list-style-type: none"> • Enchufe el cordón de alimentación eléctrica. • Seleccione la velocidad deseada del soplador con el botón 'Encendido' ('Power'). • Verifique que la puerta del gabinete está cerrada firmemente.
La luz 'Verificar celda colectorá' ('Check Collector Cell') ha cambiado al rojo.	<ul style="list-style-type: none"> • Celda colectorá 	<ul style="list-style-type: none"> • Lave la celda colectorá. Asegúrese de que esté bien limpia y seca antes de volver a instalarla.
La luz 'Verificar celda colectorá' ('Check Collector Cell') está destellando con color rojo.	<ul style="list-style-type: none"> • Celda colectorá 	<ul style="list-style-type: none"> • La celda colectorá puede necesitar limpieza. Limpie la celda colectorá. • La celda colectorá puede no estar completamente seca. Déjela secar al aire por más tiempo. • La celda colectorá puede estar dañada. Comuníquese con Oreck para el servicio.
La unidad no elimina los contaminantes.	<ul style="list-style-type: none"> • Celda colectorá 	<ul style="list-style-type: none"> • Lave la celda colectorá. Asegúrese de que esté bien limpia y seca antes de volver a instalarla.
La unidad chispea, cruje y emite chasquidos.	<ul style="list-style-type: none"> • Celda colectorá 	<ul style="list-style-type: none"> • El ruido de chispeo o de chasquido (generación de arcos) ocurre cuando la celda colectorá captura una partícula grande. • Si la unidad genera arcos en exceso, es posible que la celda colectorá esté sucia. Intente la limpieza de la celda colectorá. • Si el fenómeno del arco continúa produciéndose en forma excesiva después de una limpieza adecuada, es posible que la celda esté dañada o mojada. Si estuviera dañada, comuníquese con Oreck para el servicio.
La luz 'Cambiar absorbedor de olores' ('Change Odor Absorber') ha cambiado al rojo.	<ul style="list-style-type: none"> • Absorbedor de olores 	<ul style="list-style-type: none"> • Reemplace el absorbedor de olores, si lo desea. • Si el absorbedor de olores no se reemplaza, retire el absorbedor viejo para que se apague la luz 'Cambiar el absorbedor de olores' ('Change Odor Absorber').
No hay eliminación de olores.	<ul style="list-style-type: none"> • Absorbedor de olores 	<ul style="list-style-type: none"> • Si el absorbedor de olores estuviera sucio, límpielo con una aspiradora provista de un accesorio de cepillo suave. No use ningún líquido para limpiar el absorbedor de olores. • Reemplace el absorbedor de olores, si lo desea.
La unidad sigue sin funcionar correctamente.	<ul style="list-style-type: none"> • Verifique todos los puntos anteriores. 	<ul style="list-style-type: none"> • Comuníquese con Oreck para el servicio.

Garantía.



ORECK MANUFACTURING COMPANY: (Oreck Manufacturing Company le otorga la siguiente garantía limitada para este producto, únicamente si el mismo ha sido comprado originalmente para uso residencial, no para reventa, a Oreck o a un Distribuidor Minorista Autorizado Oreck).

Oreck reparará o reemplazará, sin costo, para el comprador original, cualquier pieza que se determine está defectuosa en cuanto a material o fabricación dentro de un periodo de cinco (5) años de la fecha de compra y una garantía de por vida en la Celda Colectora para todos los modelos residenciales. NOTA: Si la unidad se utiliza comercialmente, se aplica un (1) año de garantía general.

Esta garantía limitada no cubre el reemplazo de piezas fungibles o consumibles como filtros, cartuchos y otras piezas sujetas al desgaste normal, a menos que estén defectuosas en cuanto al material o mano de obra.

Esta garantía limitada no se aplica a ninguna pieza sujeta a accidente, maltrato, uso comercial, alteración, uso indebido, daño causado por hechos de fuerza mayor, uso de tensiones eléctricas distintas de las indicadas en la placa de datos de este producto, o servicio de este producto que no haya sido realizado por Oreck o un Centro de Servicio participante, autorizado por la fábrica.

Oreck no autoriza a ninguna persona o representante a asumir u otorgar cualquier otra obligación de garantía junto con la venta de este producto.

La garantía limitada de Oreck es válida únicamente si usted retiene el comprobante de la compra a Oreck o a un distribuidor minorista autorizado por Oreck para este producto. Si usted compra este producto a cualquier otra fuente, su compra es 'TAL CUAL', lo que significa que Oreck no le otorga ninguna garantía, y que usted, y no Oreck, asume en su totalidad el riesgo de la calidad y desempeño de este producto, incluyendo el costo total de cualquier servicio, o reparación de cualquier defecto, que fueran necesarios.

La responsabilidad de Oreck hacia usted por daños, por todo costo de cualquier clase que surja de esta declaración de garantía limitada, se limitará a la cantidad pagada por este producto en ocasión de su compra original, y Oreck no será responsable de ningún daño directo, indirecto, consiguiente o incidental que surja de la utilización o de la inhabilidad para la utilización de este producto. Algunos estados no permiten la exclusión o limitación de los daños incidentales o consiguientes, por lo que la limitación o exclusión indicada puede no ser aplicable a su caso.

LA DURACIÓN DE TODAS LAS GARANTÍAS EXPRESAS E IMPLÍCITAS DE ESTE PRODUCTO, CON INCLUSIÓN DE LAS GARANTÍAS IMPLÍCITAS DE COMERCIALIZACIÓN Y ADECUACIÓN PARA UN PROPÓSITO PARTICULAR, ESTÁ LIMITADA AL PERÍODO DE GARANTÍA, Y NO SE APLICARÁN GARANTÍAS, YA SEA EXPRESAS O IMPLÍCITAS, DESPUÉS DE TRANSCURRIDO ESE PERÍODO.

Algunos estados no permiten limitaciones en la duración de las garantías implícitas, por lo que la limitación indicada puede no ser aplicable a su caso.

Esta garantía le otorga derechos legales específicos, y usted puede tener también otros derechos que varían de un estado a otro.

ORECK®

© 2006 Oreck Holdings, LLC.

Todos los derechos reservados. La propiedad y la utilización de todas las marcas, logotipos y configuraciones de producto están sujetas a la autorización de Oreck Holdings, LLC.

20061-01 Rev. A 07/06 ECN # R-8278

Free Manuals Download Website

<http://myh66.com>

<http://usermanuals.us>

<http://www.somanuals.com>

<http://www.4manuals.cc>

<http://www.manual-lib.com>

<http://www.404manual.com>

<http://www.luxmanual.com>

<http://aubethermostatmanual.com>

Golf course search by state

<http://golfingnear.com>

Email search by domain

<http://emailbydomain.com>

Auto manuals search

<http://auto.somanuals.com>

TV manuals search

<http://tv.somanuals.com>