

User's
Guide

ORECK[®] XL[®]

Powerful, Lightweight Upright Vacuum

ORECK XL[®] Platinum Pilot[™] Series



ORECK clean home[™]
HEALTHIER. EASIER. SMARTER.[™]

**HEPA
CELOC[®]**
HYPO-ALLERGENIC FILTERING SYSTEM

 **Microban[®]**
antimicrobial product protection

Important!

Read all instructions carefully, and keep for future reference.

Safety

General Warnings

! IMPORTANT SAFETY INSTRUCTIONS!

When using an electrical appliance, basic precautions should always be followed, including the following:
READ ALL INSTRUCTIONS BEFORE USING THIS VACUUM CLEANER

WARNING To reduce the risk of fire, electric shock, or injury:

- Do not leave appliance unattended when plugged in. Unplug from outlet when not in use and before servicing.
- Do not use outdoors or on wet surfaces.
- Do not operate the unit while in the upright and locked position.
- Do not let the unit run while in any one stationary position for any period of time. Keep the unit moving while in operation.
- Do not allow to be used as a toy. Close attention is necessary when used by or near children.
- Use only as described in this manual. Use only manufacturer's recommended attachments.
- Do not use with damaged cord or plug. If appliance is not working as it should, has been dropped, damaged, left outdoors, or dropped into water, return it to a service center or call customer service at:
 US: 1-800-989-3535 Canada: 1-888-676-7325
- Do not pull or carry by cord, use cord as a handle, close door on cord, or pull cord around sharp edges or corners.
- Keep cord away from heated surfaces.
- Do not run appliance over cord.
- Do not unplug by pulling on cord. To unplug, grasp the plug, not the cord.
- Do not handle plug or appliance with wet hands.
- Do not put any object into openings. Do not use with any opening blocked; keep free of dust, lint, hair and anything that may reduce air flow.
- Keep hair, loose clothing, fingers and all parts of body away from openings and moving parts.
- Do not use to pick up anything that is burning or smoking, such as cigarettes, matches, or hot ashes.
- Do not use without filter bag assembly in place.
- Turn off all controls before unplugging.
- Use extra care when cleaning on stairs.
- Do not use to pick up flammable or combustible liquids, such as gasoline or lighter fluid, or use in areas where they may be present.
- Do not use appliance in an enclosed space where flammable, explosive or toxic vapors are given off by oil base paint, paint thinner, some mothproofing substances, or in an area where flammable dust is present.
- Do not pick up toxic material such as chlorine bleach, drain cleaner, gasoline, etc. with this appliance.
- Use caution when vacuuming over area rug edges and fringe.

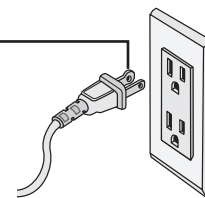
SAVE THESE INSTRUCTIONS

Household Use Only

A polarized plug has one rounded prong and one straight prong.

The rounded end goes into the longest socket slot.

To reduce the risk of electric shock, this equipment has a polarized plug (one blade is wider than the other). This plug will fit in a polarized outlet only one way. If the plug does not fit fully in the outlet, reverse the plug. If it still does not fit, contact qualified personnel to install the proper outlet. Do not alter the plug in any way.



Thank you for purchasing our top-of-the-line Oreck XL® U7200 Platinum Pilot™ Series upright vacuum cleaner. It is the quietest, most powerful upright Oreck has ever developed. The U7200 features a 10-year warranty, 10 free tune-ups, high speed for cleaning carpet and low speed for cleaning bare floors. The HEPA-Celoc® filtration traps up to 99.99% of all particles including pollen, mold spores and pet dander. And because it's an Oreck, it can help restore the nap of your carpet the very first time you use it.



To speak with an Oreck representative call:
 USA: **1-800-989-3535** Canada: **1-888-676-7325**



On the web, point and click at: **www.oreck.com**



Visit any of our nearly **450** Oreck Clean Home Centers. To find the nearest store, please call **888-oreckstore** (888-673-2578) or visit **www.oreckstore.com**.

Enjoy

Call Click Visit

Contents



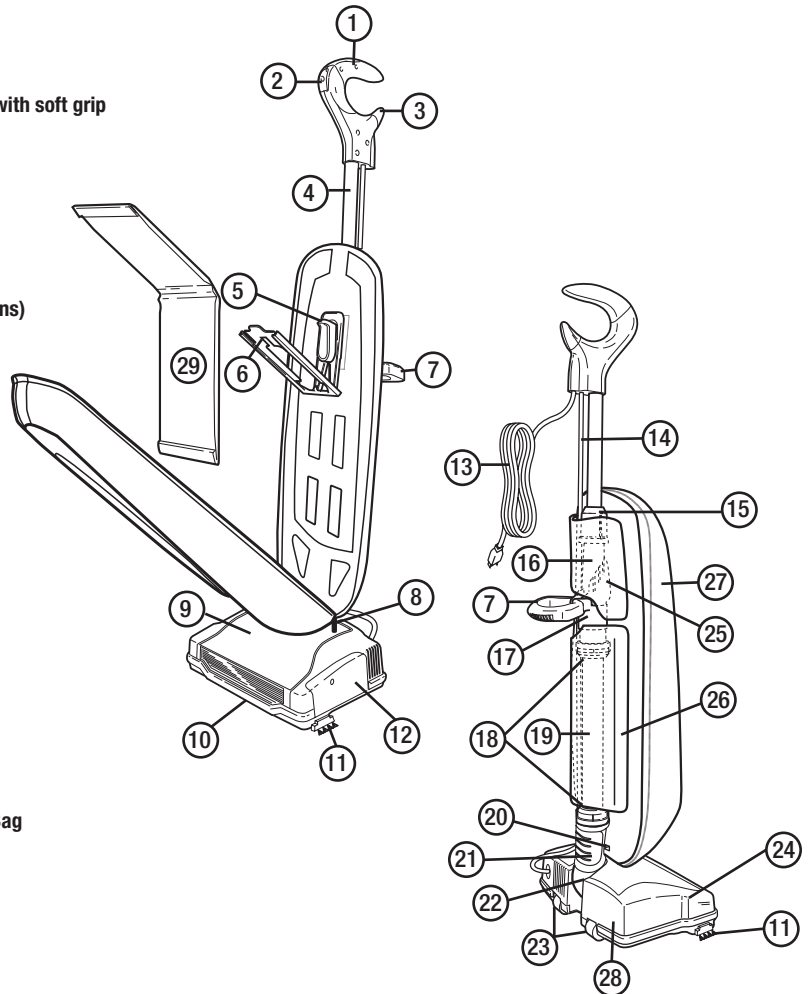
- Safety** 2
 - General Warnings 2
- Operation** 3
 - Parts List 3
 - Assembling the Handle Tube 4
 - Operating the U7200 4
 - Storage 4
 - Operating Instructions 4
- General Information** 5
 - Odor Fighting Filter Dust Bags 5
 - Microban® 5
 - HEPA-Celoc® Hypo-Allergenic Filter System 5
 - 360° Glide System 5
 - The Belt 5
 - Lubrication 5
- Maintenance** 6
 - Replacing Disposable Odor Fighting Dust Bag 6
 - Replacing Worn Belt 6
 - Adjusting or Replacing Brushroll 6
 - Replacing Edge Brush 7
 - Replacing the LED Light 7
 - Stuffing or Blockage 7
- Troubleshooting** 8
- Parts** 8
 - Accessories & Replacement Parts 8
- Warranty** 9

Operation.

To assist you in identifying your vacuum's components, the parts have been numbered as follows.

Parts List

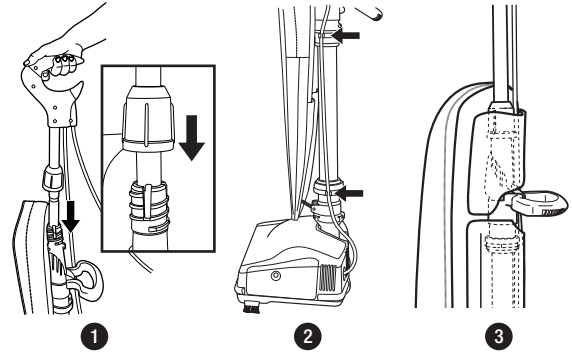
- 1 Helping Hand® Handle with soft grip
- 2 On/Off Switch
- 3 Cord Dump
- 4 Handle Tube
- 5 Deflector
- 6 Bag Dock
- 7 Carry Handle
- 8 Zipper
- 9 Fascia (includes light lens)
- 10 Main Bumper
- 11 Edge Brush
- 12 Belt Door
- 13 Power Cord
- 14 Cord Assembly
- 15 Handle Collar
- 16 Deflector (rear view)
- 17 Carry Handle Clamp
- 18 Collars
- 19 Lower Tube
- 20 Elastic Bag Strap
- 21 Scroll Fascia
- 22 Fan Housing
- 23 Rear Wheels
- 24 Cover
- 25 Outer Bag Upper Cover
- 26 Outer Bag Lower Cover
- 27 Outer Bag
- 28 Power Head
- 29 Disposable Filter Dust Bag



Operation

Assembling the Handle Tube

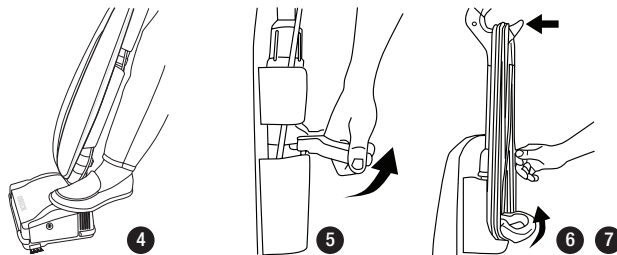
- 1 Align slot in handle tube with tab in connector. Insert the handle tube into connector. Tighten collar at base of handle tube onto the connector until it locks, "snaps".
- 2 Snap cord assembly into the cord clip located on the left side of the collar. Leave excess cord at the power head to allow movement.
- 3 Velcro® outer bag upper cover panel in place.



Operating the U7200

Make sure the Disposable Odor Fighting dust bag is in place. **DO NOT** operate the cleaner without a dust bag. Plug the power cord into an electrical outlet and press the **On Low (I) - On High (II) - OFF (O)** switch on handle assembly when ready to operate.

- 4 **Up-Position Lock** - Place foot on power head and lean handle back gently to release lock for vacuum use. Return handle to the full upright position to engage lock. The handle should be rotated to center before returning to upright position. Note: Do not operate the unit while in the upright and locked position. Do not let the unit run while in any one stationary position for any period of time. Keep the unit moving while in operation.
- 5 **Carry Handle** - Raise the carry handle located on back of the unit for easy lifting, carrying, and stair vacuuming. Lower the handle during use to eliminate obstruction.
- 6 **Easy Power Cord Storage** - Raise carrying handle and wrap power cord around carry handle and Helping Hand® handle.
- 7 To release cord, twist cord dump located on Helping Hand® handle 1/2 turn. Slide cord off handle.



Storage

Both the Helping Hand® handle and carry handle can be used for convenient, space saving storage of cleaner. Hang cleaner by carry handle on a sturdy fastener or Helping Hand® handle on a closet rod.

Operating Instructions

This new ORECK Upright is one of the finest, fastest, and strongest units in its class. You'll love the way it cleans, gets under things, and it's SO lightweight and easy to use.

The following are a few simple suggestions regarding its operation:

1. When inserting a new disposable dust bag -FIRST PUFF OUT and OPEN THE BAG.
2. When the disposable dust bag is full, REPLACE IT.
3. If at any time the machine does not pick up properly or makes an unusual noise, STOP OPERATION and service.
4. Although your upright will pick up pins, paper clips, and other small objects, it is recommended that these be removed from the floor before you vacuum. Failure to do so may result in permanent damage to the motor suction fan and its housing.
5. WARNING: Do not use your vacuum cleaner on damp or wet surfaces. This will cause damage to the vacuum cleaner and is dangerous to the user. Damage caused by use on wet or damp surfaces is not covered under warranty.
6. For optimal performance, replace the belt every 6 months.
7. Check the disposable filter dust bag at least once a month.
8. DO NOT run the vacuum cleaner over the cord. The revolving brush could damage the cord.
9. Use caution when vacuuming over area rug edges and fringe.

Velcro® is a registered trademark owned by Velcro Industries B.V. Limited Liability Company Netherlands.

General Information

The performance of your new cleaner greatly depends upon care and maintenance. The instructions in this manual will guide you in performing basic care and maintenance. To obtain the most satisfying years of service read the instructions and keep them handy for future reference.

Disposable Odor Fighting Dust Bags

Disposable Odor Fighting dust bags play a very important role in the efficiency of your ORECK vacuum cleaner. The purpose of the dust bag is to trap dirt, but at the same time it must be porous enough to allow air to pass through. If the dust bag becomes clogged, no air can pass through the cleaner and cleaning cannot take place, regardless of the cleaner's power.

To keep your cleaner operating at maximum efficiency, change the dust bag frequently.
DO NOT FILL ABOVE THE LINE INDICATED ON THE DUST BAG.

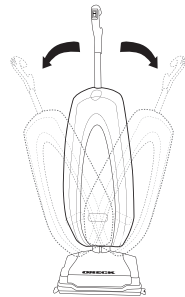
Be sure the disposable filter dust bag is installed properly. **Note:** All disposable filter dust bags are not the same. Your ORECK disposable dust bags have been designed to be used with the ORECK cleaner. Using bags other than genuine ORECK TYPE CC disposable bags will affect the cleaning ability of your cleaner and could cause damage to it.

Microban®

Oreck added Microban® to the key touchpoints of the unit (handle and bag dock) while manufacturing this upright vacuum cleaner in order to inhibit the growth of bacteria in and on the vacuum. When microbes, such as bacteria, mold and mildew come in contact with the product surface, Microban® penetrates the cell wall and disrupts key functions so they cannot grow or reproduce. Your Oreck will stay cleaner, longer.

HEPA-Celoc® Hypo-Allergenic Filter System

The HEPA-Celoc outer bag of your vacuum cleaner is high filtration medical material designed to filter the smallest of dust particles. It is important the inside of the outer bag be cleaned. Vacuum the inside of the outer bag as needed. If desired, the HEPA-Celoc outer bag can be replaced for renewed efficiency. The Celoc layered disposable inner dust bag is designed for optimal performance. Depending on cleaning environment, it may need to be changed as often as once a month. Change it more often if it is used in extremely dirty areas. Increase the cleaning power of your vacuum by changing the bag often.



360° Glide

Your new Oreck Upright features the 360° Glide turning system. The 360° Glide offers an entirely new level of maneuverability to your lightweight Oreck Upright. No installation necessary. Simply turn the handle of your Oreck Upright to maneuver the unit. Go left, Go right, make sharp turns under and around furniture.

The Belt

The belt on your vacuum cleaner controls the speed of the revolving brush and is very important for the effective operation of the cleaner. If the belt becomes stretched or cut, it will cause the revolving brush to stop completely or slow down. See instructions in the manual for replacing belt.

Note: An extra belt is stored in the baseplate of your cleaner. When buying replacement belts, use ONLY ORECK genuine belts. Belts other than Oreck belts will not operate the revolving brush correctly and may create undue stress which will cause damage to the motor and brush bearings. Using belts other than ORECK belts will void the warranty.

Lubrication

The vacuum cleaner motor bearings are factory lubricated and sealed. Further lubrication is not required.

CAUTION

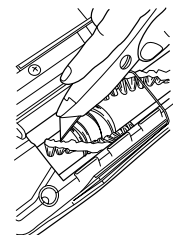
Wood Floors, Soft (Vinyl, Asphalt Tile, etc.) Floor Surfaces and Polished Floor Finishes

Use floor and floor finish manufacturer's recommended methods of cleaning. The roller brush may also scuff very soft finishes. Do not operate the unit while in the upright and locked position. Do not let the unit run while in any one stationary position for any period of time. Keep the unit moving while in operation.

Note: At least once a month, check for and remove excessive lint, string or hair from revolving brush. Patented cleaning grooves on brush roll will allow easier cleaning. Wipe the outside of the cleaner with a damp cloth. Also clean the connector deflector assembly area, base of cleaner and fan housing area. If there is dust in the outer bag, vacuum it or shake it out.

A little preventative maintenance will keep your cleaner looking new and will ensure continued cleaning effectiveness.

Microban® is a registered trademark of Microban Products Company Corporation, North Carolina.



Replacing Disposable Odor Fighting Dust Bag

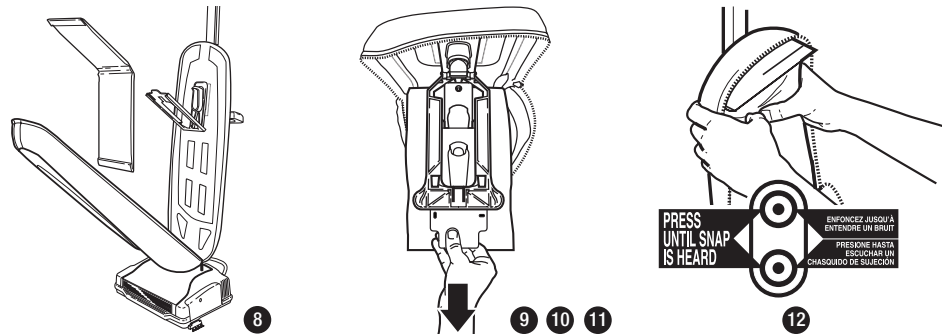
⚠ WARNING: Unplug cord from electrical outlet before servicing.

BAG REMOVAL:

- 8 Unzip outer bag completely.
- 9 Pull bag cardboard collar to release bag dock door from connector. Bag dock door will hinge downward.
- 10 Gently pull bag cardboard collar upward out of the bag dock. Saniseal® dust seal will close automatically.

BAG INSTALLATION:

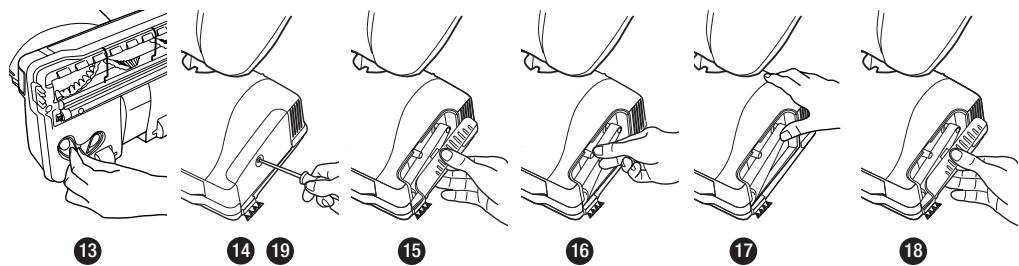
- 11 Slide the cardboard collar completely onto bag dock door.
- 12 Firmly push bag dock door with both thumbs on indication point until it snaps.



Replacing Worn Belt

⚠ WARNING: Unplug cord from electrical outlet before servicing.

- 13 Remove the replacement belt from the storage channel.
- 14 Remove the door by removing the hold down screw located on side of power head.
- 15 Fold door away from the power head and lift it away.
- 16 Remove the belt from the motor drive shaft and brush roll pulley.
- 17 Loop the new belt over the brush roll pulley. Place the opposite end of the belt on the motor drive shaft.
- 18 Replace the door by placing the bottom tab on door into slots located inside power head and pressing the door closed.
- 19 Replace the hold down screw and tighten.

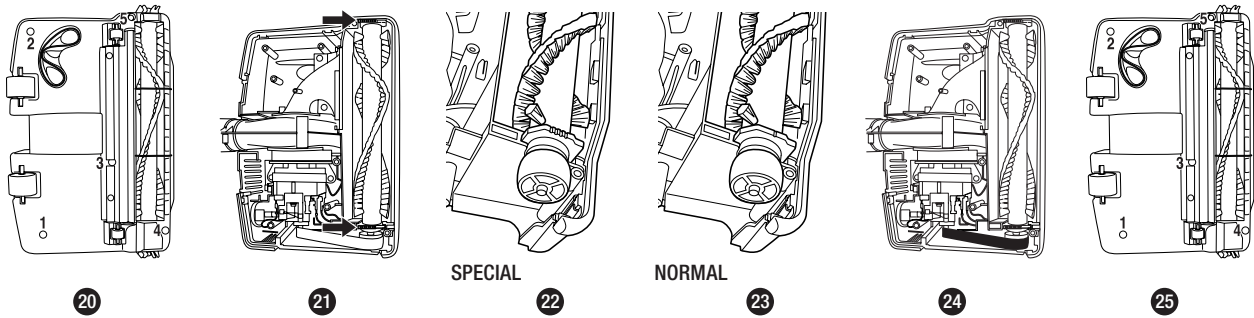


Adjusting or Replacing Brushroll

⚠ WARNING: Unplug cord from electrical outlet before servicing.

Your Oreck Vacuum comes with the brush roll set at the “NORMAL” position for most types of carpets. When using vacuum primarily on Berber Carpets, you can adjust brushroll to the “SPECIAL” setting for increased performance.

- 20 Remove the base plate by removing 5 screws. Then, remove the belt and brushroll from the housing.
- 21 Rotate both end cards of the brush roll to show “SPECIAL” and replace in the holding channels of the housing.
- 22 **Note:** The one marked “SPECIAL” has several ribs on top of the end card.
- 23 The brush end card setting marked “NORMAL” has one rib. When rotating bearings, make sure both end card assembly settings are the same and face up when replacing the brushroll.
- 24 Reassemble the belt.
- 25 Reassemble the baseplate.



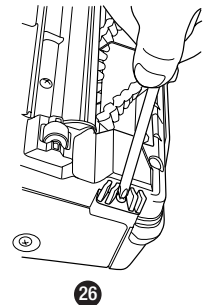
Replacing Edge Brush

⚠ WARNING: Unplug cord from electrical outlet before servicing.

- 26 Turn the power head over. With baseplate facing up, remove the screw located in the center of each edge brush. Remove both edge brushes and replace with new ones. Replace both screws and tighten.

Replacing the LED Light

The light assembly should be replaced by an Oreck authorized service center whenever it fails to light during operation.



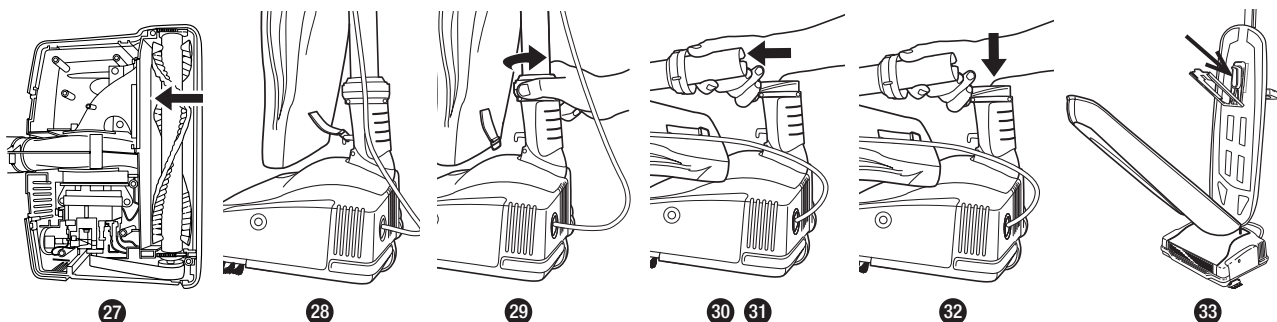
Stuffing or Blockage

IMPORTANT: On plush and new carpets, stuffing may occur inside the intake tube and the lower tube assembly. This is due to excessive fuzz and loose cuttings in the carpet. Stuffing could occur for the first few cleanings until all the loose material is removed. Due to the high efficiency of the cleaner, many older carpets will cause stuffing when the cleaner is first used on them. If your vacuum cleaner does not pick up properly, or makes unusual noise and the outer bag does not fluff up or balloon open, follow these steps:

⚠ WARNING: Unplug cord from electrical outlet before servicing.

- 27 Check for blockage at the mouth of the intake opening. If there is blockage, remove it with long-nose pliers, a screwdriver or coat hanger. If you can not reach the blockage, remove baseplate. Remove the base plate by removing 5 screws (see "Adjusting or Replacing Brushroll").
- 28 If the blockage is not at the base, remove lower tube. Unhook bag spring, releasing bottom of bag. Open elcroed Outer bag lower cover to gain access to Collars and Lower Tube.
- 29 Twist lower collar counterclockwise to slide up. Pull tube out of base. Check for blockage. If blockage is in the tube, remove with a coat hanger.
- 30 If tube is not blocked, look into fan housing. Remove debris with long-nose pliers, a screwdriver or coat hanger.
- 31 To reassemble, check O-ring on tube, and replace if damaged. Replace tube by first lining up slot at base of tube with tab inside fan housing.
- 32 Insert tube and push down until the tube is seated. Make sure O-ring is in place against fan housing opening. Replace and tighten collar until collar locking tabs are locked in place. Reattach bag spring. Close Outer bag lower cover with Velcro®.
- 33 Many times blockage occurs due to a full dust bag causing dirt to back down the air flow system. When that happens, the blockage will be at the top of the system, starting in the area where the dust bag connects to the connector assembly.

Note: If the above actions do not correct the problem, contact an Oreck authorized service center or call the customer service center. **US: 1-800-989-3535 Canada: 1-888-676-7325**



Velcro® is a registered trademark owned by Velcro Industries B.V. Limited Liability Company Netherlands.

Trouble-shooting

Service problems that appear to be major can often be solved easily. You can be your own troubleshooter by reviewing this guide.

All other servicing should be done by an Oreck authorized service center.

Problem	Check	What to do
Cleaner will not run.	<ul style="list-style-type: none"> • Not plugged in properly. • No electricity in wall outlet. 	<ul style="list-style-type: none"> • Be sure cleaner is firmly plugged into wall outlet. • Check electrical source – fuse or circuit breaker.
Cleaner does not pick up.	<ul style="list-style-type: none"> • Filter Bag is full. • Nozzle or intake pivot clogged. • Belt is broken or stretched. • Brush is worn. • Bag tube clogged. • Bag pores are clogged with fine dust. • Impeller fan is broken • Revolving brush is not even at both ends. 	<ul style="list-style-type: none"> • Replace filter bag. See “Replacing Disposable Odor Fighting Dust Bag”. • Clear obstruction. • Replace belt. • See “Adjusting or Replacing Brushroll”. • Clear obstruction. • Change bag. • Return to Service Center for repair. • Check bearing seal. Make sure words “Special” or “Normal” at each end.
Unit still does not operate properly.	<ul style="list-style-type: none"> • Check all the above points. 	<ul style="list-style-type: none"> • Contact Oreck for service.

Parts

All accessories and replacement parts are sold separately. To order, call our customer service group or visit our website. Please have your model number from the data label on the bottom of the unit.

Accessories

Item	Part Number
Crystal Aroma® Carpet and Room Freshener	AROMAI
Oreck Dry Carpet® Cleaning System	303110S

Replacement Parts

Item	Part Number
Dust Bag, 8 Pack, Saniseal® Odor Fighting Hypo-Allergenic	CCPK8OF
Belts, 3 Pack	0300604

Customer Service Hotline

USA: 1-800-989-3535 Canada: 1-888-676-7325

website: www.oreck.com

Warranty



ORECK MANUFACTURING COMPANY: (Oreck Manufacturing Company gives you the following limited warranty for this product only if it was originally purchased for residential use, not resale, from Oreck or an Oreck Authorized Retail Dealer.)

Oreck will repair or replace, free of charge, to the original purchaser, any part that is found to be defective in material or workmanship within ten (10) years of the date of purchase. This limited warranty applies to normal domestic use. Any commercial use of this product will void this limited warranty. This limited warranty covers the revolving roller brush for one (1) year for residential use only.

This limited warranty does not cover the replacement of expendable or consumable parts such as carbon motor brushes, edge brushes, drive belts, brushes, bulbs, disposable bags and other parts subject to normal wear unless they are defective in material or workmanship.

This limited warranty does not apply to any part subjected to accident, abuse, commercial use, alteration, misuse, damage caused by act of God, the use of voltages other than indicated on the serial number displayed on this product or service of this product by other than Oreck or a participating Factory Authorized Service Center. Oreck does not authorize any person or representative to assume or grant any other warranty obligation with the sale of this product.

Oreck's limited warranty is valid only if you retain proof of purchase from Oreck or an Oreck Authorized Retail Dealer for this product. If you purchase this product from any other source, your purchase is "AS IS," which means Oreck grants you no warranty, and that you, not Oreck, assume the entire risk of the quality and performance of this product, including the entire cost of any necessary servicing or repairs of any defects.

Oreck's liability for damages to you for any costs whatsoever arising out of this statement of limited warranty shall be limited to the amount paid for this product at the time of original purchase, and Oreck shall not be liable for any direct, indirect, consequential or incidental damages arising out of the use or inability to use this product. Some states do not allow the exclusion or limitation of incidental or consequential damages, so the above limitation or exclusion may not apply to you.

ALL EXPRESS AND IMPLIED WARRANTIES FOR THIS PRODUCT, INCLUDING IMPLIED WARRANTIES OF MERCHANTABILITY AND FITNESS FOR A PARTICULAR PURPOSE, ARE LIMITED IN DURATION TO THE WARRANTY PERIOD, AND NO WARRANTIES, WHETHER EXPRESS OR IMPLIED, WILL APPLY AFTER THIS PERIOD.

Some states do not allow limitations on the duration of implied warranties, so the above limitation may not apply to you.

This warranty gives you specific legal rights, and you may also have other rights which vary from state to state. If appropriate, see additional information for extended warranty.

Guide
d'utilisation

ORECK[®] XL[®]

Aspirateur-balai puissant et léger

ORECK XL[®] Série Platinum Pilot[™]



ORECK clean home[™]
HEALTHIER. EASIER. SMARTER.[™]

**HEPA
CELOC[®]**
HYPO-ALLERGENIC FILTERING SYSTEM

 **Microban[®]**
antimicrobial product protection

Important !

Lire attentivement ce manuel et le conserver comme référence ultérieure.

Microban[®] est une marque commerciale déposée de Microban Products Company Corporation, Caroline du Nord.

Download from [Www.Somanuals.com](http://www.Somanuals.com). All Manuals Search And Download.

Sécurité

Mises en garde générales



INSTRUCTIONS DE SÉCURITÉ IMPORTANTES !

Pendant l'utilisation d'un appareil électrique, des précautions élémentaires doivent toujours être prises.

LISEZ TOUTES LES INSTRUCTIONS AVANT D'UTILISER L'ASPIRATEUR

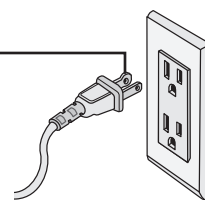
AVERTISSEMENT ! Pour réduire le risque de départ d'incendie, commotion électrique ou blessure :

- Ne laissez pas un appareil branché sans surveillance, débranchez-le de la prise quand il n'est pas utilisé ou avant d'intervenir dessus.
- Ne l'utilisez pas dehors ou sur des surfaces mouillées.
- Ne le faites pas fonctionner en position droite et verrouillée.
- Ne le faites pas fonctionner en position stationnaire pendant une durée prolongée, utilisez-le en le déplaçant.
- Ce n'est pas un jouet, une attention particulière doit être portée en utilisation par ou près des enfants.
- Ne l'utilisez que comme décrit dans ce manuel, ne le faites fonctionner qu'avec des accessoires recommandés par son constructeur.
- Ne l'utilisez pas avec un cordon ou une prise endommagés. S'il ne fonctionne pas bien, est tombé, a été endommagé, laissé dehors ou a été plongé dans l'eau, amenez-le au centre de réparation ou appelez le service à la clientèle, USA : 1-800-989-3535 ; Canada : 1-888-676-7325.
- Ne le tirez ou portez pas par son cordon en s'en servant de poignée, ne refermez pas de porte dessus et ne le faites pas passer sur des angles ou coins tranchants.
- Gardez le cordon à l'écart des surfaces chaudes.
- Ne passez pas l'appareil sur son cordon.
- Ne débranchez l'appareil pas en tirant sur le cordon, faites-le en prenant et retirant sa fiche.
- Ne manipulez pas l'appareil ou son cordon d'alimentation avec des mains mouillées.
- N'introduisez aucun objet par les ouvertures. N'utilisez pas l'appareil avec des ouvertures obstruées, maintenez-les sans poussière, peluche, cheveux ou d'autres matières pouvant réduire l'écoulement d'air.
- Gardez cheveux, vêtements lâches, doigts et autres parties du corps, à l'écart des ouvertures et pièces mobiles.
- N'aspirez rien qui brûle ou fume, comme des cigarettes, allumettes ou cendres encore chaudes.
- N'utilisez pas l'appareil sans que son sac de filtrage ne soit en place.
- Arrêtez l'appareil par ses commandes avant de le débrancher du secteur.
- Faites particulièrement attention quand vous aspirez dans des escaliers.
- N'aspirez pas de liquides inflammables ou combustibles tels qu'essence ou fluides plus légers, et n'utilisez pas l'appareil aux endroits où ils seraient présents.
- N'aspirez pas en espace confiné où des vapeurs inflammables, explosives ou toxiques seraient dégagées par de la peinture à l'huile, du diluant à peinture, des substances antimites, où s'il y a des poussières inflammables.
- N'aspirez pas de matières toxiques comme agent blanchissant chloré, nettoyant pour drainages, essence, etc.
- Aspirez avec précautions en passant sur les lisières et franges de tapis.

CONSERVEZ CES INSTRUCTIONS

Utilisation domestique uniquement

Une fiche d'alimentation polarisée comporte une terminaison de forme ronde et une autre en lame droite. La ronde doit entrer dans la plus longue fente de la prise secteur. Pour réduire le risque de commotion électrique, cet équipement a une fiche d'alimentation polarisée (ayant une lame plus large que l'autre). Si vous n'arrivez pas à insérer complètement la fiche dans la prise secteur, essayez en retournant la fiche. Si vous n'y arrivez toujours pas, contactez un électricien pour qu'il remplace la prise non conforme. N'altérez la fiche d'aucune manière.



Merci d'avoir acheté notre aspirateur-balai haut de gamme Oreck XL® U7200 Série Platinum Pilot™. C'est le plus puissant et le plus silencieux développé par Oreck. Ce U7200 porte une garantie de 10 ans, avec 10 réglages gratuits. Il peut nettoyer les moquettes à grande vitesse et les sols nus à vitesse réduite. Son filtrage HEPA-Celoc® piège jusqu'à 99,99% de toutes les particules, incluant pollen, spores de moisissures et squames d'animaux. Comme c'est un produit Oreck, il aidera à restaurer le velours de votre moquette dès la première fois.



Pour joindre un collaborateur d'Oreck, appelez :
USA: 1-800-989-3535 Canada: 1-888-676-7325



Sur le Web, pointez et cliquez sur : www.oreck.com



Visitez un de nos 450 centres Oreck "Clean Home". Pour trouver le plus proche de chez vous, téléphonez au 888-oreckstore (888-673-2578) ou allez sur le site www.oreck.com

Appréciez

Appelez
Cliquez
Visitez

Contenu



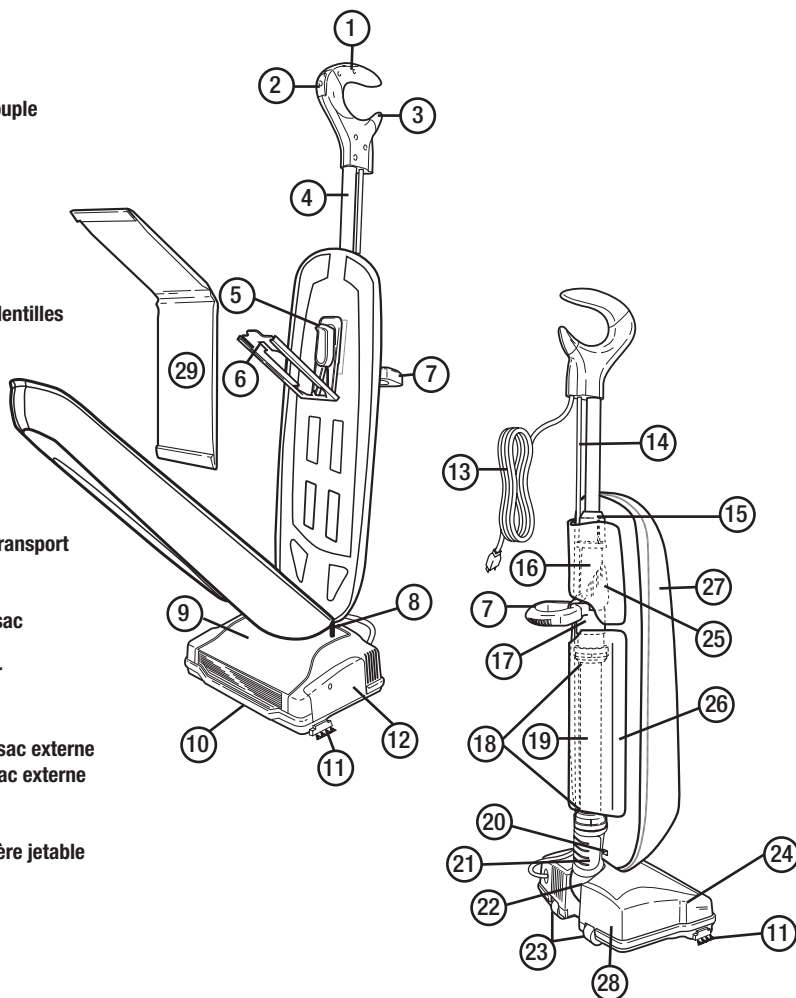
Sécurité	11
Mise en garde générales	11
Fonctionnement	12
Liste de pièces	12
Montage du tube de manche	13
Utilisation de l' U7200	13
Entreposage	13
Recommandations d'utilisation	13
Informations générales	14
Sacs à poussière jetables anti-odeurs	14
Microban®	14
Système de filtrage HEPA-Celoc® hypoallergénique	14
Système de pivotement sur 360°	14
Courroie	14
Lubrification	14
Entretien	15
Remplacement du sac à poussière jetable anti-odeur	15
Remplacement de courroie usée	15
Réglage ou remplacement du rouleau-brosse	15
Remplacement des brosses à bordures	16
Remplacement de l'éclairage à DEL	16
Bourrage ou blocage	16
Dépannage	17
Pièces	17
Accessoires et pièces de rechange	17
Garantie	18

Fonctionnement

Pour vous aider à identifier les composants de votre aspirateur, les pièces ont été répertoriées ci-contre :

Liste de pièces

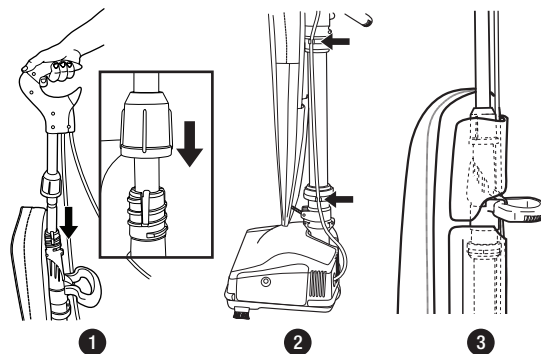
- 1 Poignée repose-main souple
- 2 Commutateur M/A
- 3 Libération de cordon
- 4 Tube de manche
- 5 Déflecteur
- 6 Ancrage de sac
- 7 Poignée de transport
- 8 Fermeture éclair
- 9 Carénage (incluant des lentilles d'éclairage)
- 10 Butoir principal
- 11 Brosse à bordure
- 12 Trappe de courroie
- 13 Cordon d'alimentation
- 14 Ensemble de cordon
- 15 Collier de manche
- 16 Déflecteur (vue arrière)
- 17 Attache de poignée de transport
- 18 Colliers
- 19 Tube inférieur
- 20 Attache élastique pour sac
- 21 Scroll Fascia
- 22 Logement de ventilateur
- 23 Roues arrière
- 24 Couvercle
- 25 Couvercle supérieur de sac externe
- 26 Couvercle inférieur de sac externe
- 27 Sac externe
- 28 Tête motorisée
- 29 Sac à filtrage de poussière jetable



Fonctionnement

Montage du tube de manche

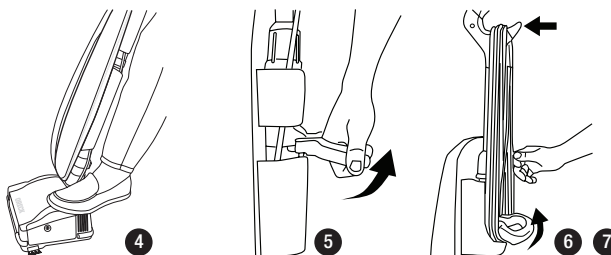
- 1 Ouvrez les couvercles de sac extérieur en soulevant le côté avec Velcro® du panneau. Alignez la fente dans le tube de manche avec la patte dans le connecteur. Insérez le tube de manche dans le connecteur. Serrez le collier à la base du tube de manche sur le connecteur jusqu'à l'enclenchement de verrouillage.
- 2 Enfoncez l'ensemble de cordon dans l'attache de cordon située sur le côté gauche du collier. Laissez du mou au cordon à la tête motorisée afin de permettre son mouvement. Positionnez l'ensemble de cordon le long du tube entre l'arrière du sac extérieur et ses couvertures.
- 3 Fixer par Velcro® le panneau de couvercle supérieur du sac externe en place.



Utilisation de l' U7200

Assurez-vous que le sac à poussière jetable anti-odeurs est bien en place. NE faites pas fonctionner l'aspirateur sans un sac à poussière. Branchez la fiche du cordon d'alimentation dans une prise secteur et appuyez sur l'interrupteur Marche lente (I) – Marche rapide (II) - Arrêt (O) de l'ensemble de poignée quand vous êtes prêt(e) à commencer.

- 4 **Verrouillage en position levée** - Placez le pied sur la tête motorisée et penchez doucement le manche en arrière pour libérer le verrouillage en utilisation d'aspiration. Ramenez le manche en position complètement droite pour le verrouiller. Le manche doit être tourné vers le centre avant de revenir en position droite. Remarque : Ne faites pas fonctionner l'unité quand elle est en position droite et verrouillée. Ne le faites pas fonctionner en position stationnaire pendant une durée prolongée, utilisez-le en le déplaçant.
- 5 **Poignée de transport** - Levez la poignée de transport située sur l'arrière de l'unité pour la soulever facilement, la transporter, ou pour aspirer des escaliers. Rabaissez cette poignée en utilisation normale pour qu'elle ne gêne pas.
- 6 **Libération facile du cordon d'alimentation** - Levez la poignée de transport et enroulez le cordon d'alimentation autour de cette poignée et de la poignée repose-main.
- 7 Pour sortir le cordon, tournez d'un demi-tour la libération de cordon située sur la poignée repose-main du manche. Tirez le cordon hors du manche.



Entreposage

Vous pouvez utiliser soit la poignée de transport soit la poignée repose-main pour un entreposage commode de l'aspirateur prenant peu de place. Suspendez l'aspirateur par sa poignée de transport sur un support robuste, ou par sa poignée repose-main sur une tringle à cintres.

Instructions d'utilisation

Ce nouvel aspirateur-balai ORECK est l'un des meilleurs produits de sa catégorie, à la fois plus rapide et plus robuste. Vous apprécierez sa façon de nettoyer, de passer sous les meubles, et il est si léger et facile à manier. Voici quelques suggestions simples concernant son utilisation :

1. Quand vous insérez un nouveau sac à poussière jetable – COMMENCEZ PAR LE GONFLER ET L'OUVRIR.
2. Quand le sac à poussière jetable est plein, REMPLACEZ-LE.
3. Si à un moment quelconque l'appareil n'aspire pas bien ou fait un bruit inhabituel, STOPPEZ L'UTILISATION et réglez le problème.
4. Même si votre aspirateur-balai peut avaler des épingles, des trombones ou d'autres petits objets, il est recommandé qu'ils soient enlevés du sol avant l'aspiration. Sinon vous risquez d'endommager de façon permanente le ventilateur d'aspiration à moteur et son logement.
5. AVERTISSEMENT : N'utilisez pas votre aspirateur sur une surface humide ou mouillée. Cela l'endommagerait et serait dangereux pour l'utilisateur. Des dommages causés dans ces conditions d'utilisation ne sont pas couverts par la garantie.
6. Pour une performance optimale, remplacez la courroie tous les six mois.
7. Vérifiez le filtre à poussière jetable au moins une fois par mois.
8. NE passez PAS l'aspirateur sur son propre cordon. Sa brosse tournante pourrait endommager le cordon.
9. Aspirez avec précautions en passant sur les lisières et franges de tapis.

Velcro® est une marque commerciale déposée détenue par Velcro Industries B.V., société à responsabilité aux Pays-Bas.

Informations générales

La performance de votre nouvel aspirateur dépend du soin mis à l'utiliser et de son entretien. Les instructions dans ce manuel vous guideront pour effectuer les actions essentielles. Pour bénéficier d'un maximum d'années de service satisfaisantes, lisez ces instructions et gardez-les sous la main comme référence ultérieure.

Sacs à poussière jetables anti-odeurs

Les sacs à poussière jetable anti-odeurs jouent un rôle très important dans l'efficacité de votre aspirateur ORECK. Leur finalité est d'emprisonner la poussière, mais en même temps en restant suffisamment poreux pour permettre leur traversée par l'air. Si le sac à poussière devient trop plein, l'air ne peut plus traverser l'aspirateur et le nettoyage ne se fait plus, quelque soit la puissance de l'appareil.

Pour maintenir le fonctionnement de votre aspirateur à efficacité maximale, changez le sac à poussière fréquemment.

NE LAISSEZ PAS LE REMPLISSAGE DU SAC À POUSSIÈRE DÉPASSER LA LIGNE REPÈRE INDIQUÉE DESSUS.

Assurez-vous que le sac à poussière jetable est correctement mis en place. **Remarque :** Toutes les sortes de sac à poussière jetables ne sont pas équivalentes. Vos sacs à poussière jetables ORECK ont été conçus pour fonctionner avec l'aspirateur ORECK. Si vous utilisez des sacs autres que de véritables sacs jetables ORECK TYPE CC, cela affecterait la capacité de nettoyage de votre aspirateur, et pourrait même aller jusqu'à l'endommager.

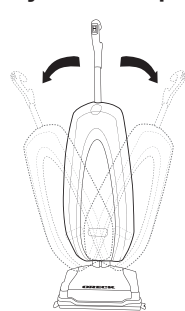
Microban®

Oreck a ajouté une protection Microban® aux points de contact principaux de l'unité (poignée, ancrage de sac, plaque de base et couvercle supérieur) au stade de la fabrication de cet aspirateur-balai, de façon à inhiber le développement des bactéries sur et dans l'appareil. Quand des microbes, comme bactéries ou moisissures, entrent en contact avec la surface de l'appareil, le Microban® pénètre les parois de leurs cellules et perturbe leurs fonctions vitales pour qu'elles ne puissent pas se développer ou se reproduire. Ainsi votre aspirateur Oreck restera plus sain plus longtemps.

Système de filtrage HEPA-Celoc® hypoallergénique

Le sac externe HEPA-Celoc de votre aspirateur est en matériau médical à filtrage poussé conçu pour arrêter les plus fines particules de poussière. Il est important que son intérieur soit nettoyé. Vous pouvez aussi remplacer ce sac externe HEPA-Celoc pour une efficacité renouvelée. Suivant votre environnement de nettoyage, il peut être nécessaire de le changer jusqu'à une fois par mois. Changez-le plus souvent si vous utilisez l'aspirateur dans des environnements très sales. Vous augmentez le pouvoir de nettoyage de votre aspirateur en changeant souvent ce sac.

Système de pivotement sur 360°



Votre nouvel aspirateur-balai Oreck comporte un système de pivotement sur 360°. Cela permet un tout nouveau niveau de maniabilité pour votre appareil léger. Il n'y a pas d'installation nécessaire. Tournez simplement le manche de votre aspirateur-balai Oreck pour le manœuvrer. Vous pouvez l'envoyer à gauche, à droite, passer faire des virages serrés sous et autour des meubles.

Courroie

La courroie sur votre aspirateur contrôle la vitesse de la brosse tournante et joue un rôle très important dans son fonctionnement. Si elle devient effilochée ou coupée, cela entraîne un ralentissement ou un arrêt complet de la brosse tournante. Reportez-vous aux instructions de ce manuel pour remplacer la courroie.

Remarque : Une courroie de rechange est entreposée dans la plaque de base de votre aspirateur. Quand vous achetez des courroies de rechange, n'utilisez QUE de véritables courroies ORECK d'origine. Des courroies d'une autre provenance n'actionneraient pas correctement la brosse tournante et pourraient créer des contraintes anormales pouvant endommager le moteur et les roulements de la brosse. De plus leur utilisation annulerait la garantie.

Lubrification

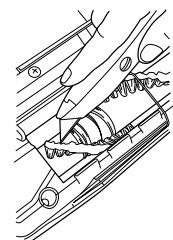
Les paliers du moteur de l'aspirateur sont lubrifiés et scellés en usine, aucune lubrification ultérieure n'est nécessaire.

ATTENTION

Parquets, sols à surface tendre (vinyles, carreaux d'asphalte, etc.) et à finition polie

Utilisez les méthodes de nettoyage pour sols ou finitions de sol recommandées par le constructeur. Le rouleau-brosse peut érafler les finitions très tendres. Ne faites pas fonctionner l'unité quand elle est en position droite et verrouillée. Ne le faites pas fonctionner en position stationnaire pendant une durée prolongée, utilisez-le en le déplaçant.

Remarque : Une fois par mois au moins, vérifiez l'aspirateur pour éliminer l'excès de peluches ou cheveux sur la brosse tournante. Des rainures de nettoyage brevetées sur le rouleau-brosse facilitent cette opération. Passez juste un chiffon humide sur l'extérieur de l'aspirateur. Nettoyez également la zone de l'ensemble de déflecteur de connecteur, la base de l'aspirateur et la zone de logement de ventilateur. S'il y a de la poussière dans le sac externe, aspirez-la ou videz le sac en le secouant.



Un petit peu d'entretien préventif va conserver votre aspirateur avec l'aspect du neuf et assurera la poursuite de son efficacité en nettoyage.

Microban® est une marque commerciale déposée de Microban Products Company Corporation, Caroline du Nord.

Remplacement du sac à poussière jetable anti-odeurs

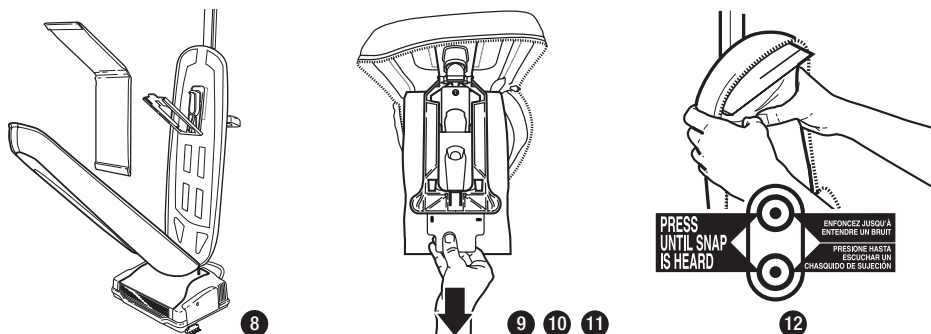
⚠ AVERTISSEMENT : Débranchez le cordon d'alimentation de la prise secteur avant de commencer.

SORTIE DU SAC :

- 8 Dégrafez complètement le sac externe.
- 9 Tirez le collier en carton du sac pour libérer la porte de l'ancrage de sac du connecteur, elle basculera vers le bas.
- 10 Sortez doucement vers le haut le collier en carton hors de la porte à sac. Le dispositif d'étanchéité à la poussière Saniseal® se refermera automatiquement.

INSTALLATION DU SAC :

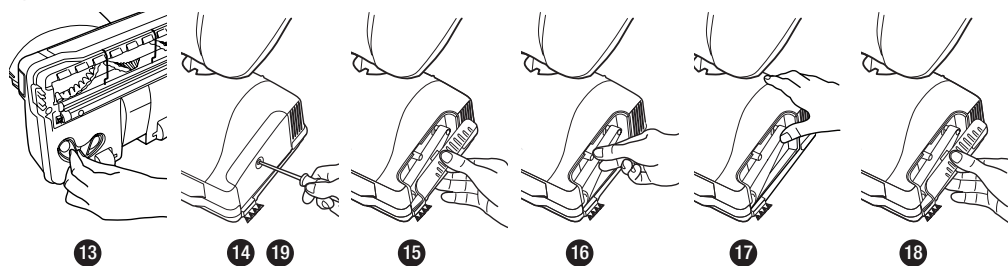
- 11 Glissez le collier en carton complètement dans la porte d'ancrage de sac.
- 12 Poussez fermement la porte d'ancrage de sac avec les deux pouces au point indiqué jusqu'à son enclenchement.



Remplacement de courroie usée

⚠ AVERTISSEMENT : Débranchez le cordon d'alimentation de la prise secteur avant de commencer.

- 13 Sortez la courroie de rechange de son entreposage.
- 14 Enlevez la porte en ôtant la vis de maintien située sur le côté de la tête motorisée.
- 15 Repliez la porte en l'écartant de la tête motorisée et levez-la.
- 16 Enlevez la courroie de l'arbre d'entraînement du moteur et de la poulie du rouleau-brosse.
- 17 Enroulez la courroie neuve autour de la poulie de rouleau-brosse. Placez son extrémité opposée sur l'arbre d'entraînement du moteur.
- 18 Remettez la porte en plaçant le taquet inférieur de la porte dans les fentes situées dans la tête motorisée et en pressant pour la refermer.
- 19 Remettez la vis de maintien et serrez-la.

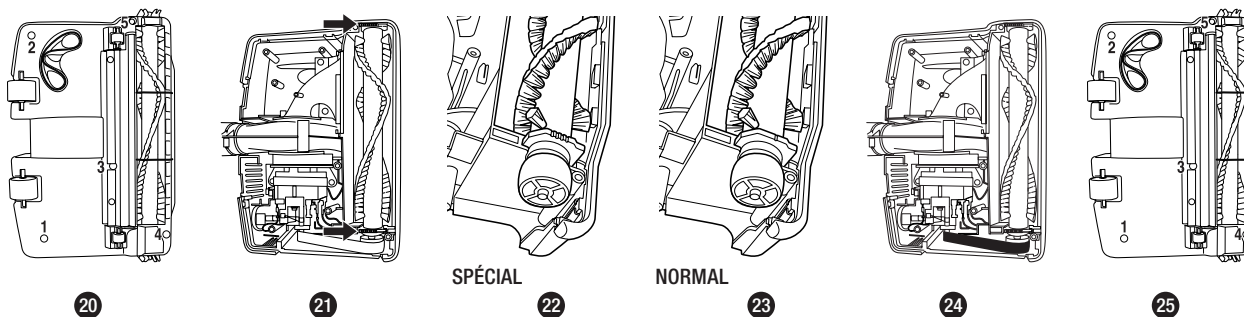


Réglage ou remplacement du rouleau-brosse

⚠ AVERTISSEMENT : Débranchez le cordon d'alimentation de la prise secteur avant de commencer.

Votre aspirateur Oreck est livré avec le rouleau-brosse réglé sur la position "NORMAL" convenant à la plupart des types de moquettes. Quand vous utilisez principalement l'aspirateur sur des tapis berbères, vous pouvez passer le rouleau-brosse sur la position "SPÉCIAL" pour obtenir une meilleure performance.

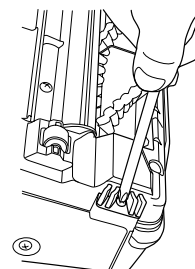
- 20 Enlevez la plaque de base en ôtant ses 5 vis. Puis sortez la courroie et le rouleau-brosse du logement.
- 21 Faites tourner les deux cartes d'extrémité du rouleau-brosse pour montrer "SPÉCIAL", et remplacez-le dans les canaux de maintien du logement.
- 22 Remarque : La partie marquée "SPÉCIAL" comporte plusieurs nervures sur le dessus de la carte d'extrémité. Le réglage de carte d'extrémité de rouleau-brosse marqué "NORMAL" n'a qu'une nervure. Quand vous tournez les roulements, assurez-vous que les deux réglages de cartes d'extrémité sont identiques et orientés vers le dessus en remontant le rouleau-brosse.
- 24 Remontez la courroie.
- 25 Remontez la plaque de base.



Remplacement des brosses à bordures

⚠ AVERTISSEMENT : Débranchez le cordon d'alimentation de la prise secteur avant de commencer.

- 26 Retournez la tête motorisée. Avec la plaque de base vers le haut, enlevez la vis située au centre de chaque brosse à bordures. Enlevez les deux vieilles brosses et remplacez-les par des neuves. Remettez les deux vis et serrez-les.



Remplacement de l'éclairage à DEL

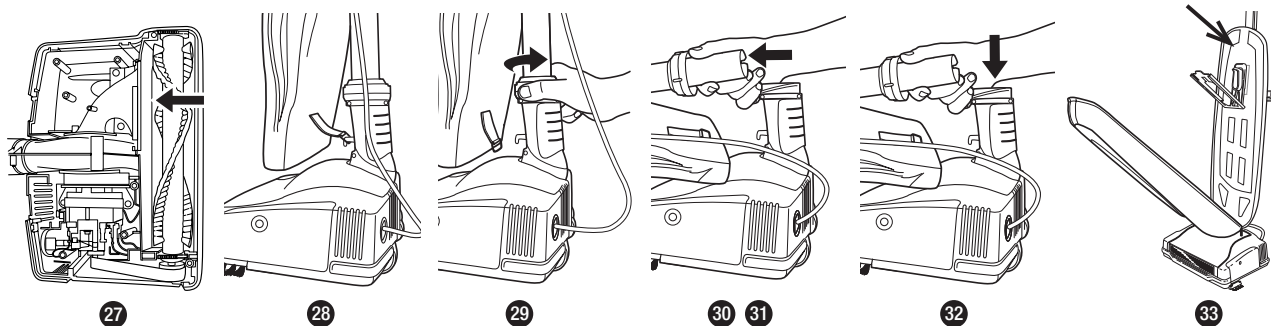
Cet ensemble d'éclairage ne peut être remplacé que par un centre de réparations agréé par Oreck s'il devenait défectueux durant le fonctionnement.

Bourrage ou blocage

IMPORTANT : Sur les moquettes peluchées ou neuves, il peut se produire un bourrage à l'intérieur l'ensemble du tube d'aspiration et du tube inférieur. Cela provient d'un excès de duvet de fibres et de débris libres dans la moquette. Ce bourrage peut se produire durant les quelques premiers nettoyages jusqu'à ce que toute la matière détachable soit éliminée. Du fait de la grande efficacité de l'aspirateur, beaucoup de moquettes plus anciennes peuvent aussi causer du bourrage quand il est appliqué dessus la première fois. Si votre aspirateur n'aspire pas correctement, ou fait un bruit inhabituel et que son sac externe ne se gonfle ou ne se ballonne pas, suivez ces étapes :

⚠ AVERTISSEMENT : Débranchez le cordon d'alimentation de la prise secteur avant de commencer.

- 27 Cherchez un éventuel blocage à l'entrée de l'aspiration. S'il y en avait un dégagez-le avec des pinces à bec long, un tournevis ou un cintre. Si vous ne pouvez pas atteindre ce blocage, démontez la plaque de base, en ôtant ses 5 vis (reportez-vous à la section "Réglage ou remplacement du rouleau-brosse").
- 28 Si le blocage ne se situe pas dans la base, enlevez le tube inférieur. Débranchez l'attache élastique de sac, en libérant le bas du sac. Ouvrez la couverture inférieure avec Velcro® du sac extérieur pour avoir accès aux colliers et au tube inférieur.
- 29 Tournez le collier inférieur en sens antihoraire pour le glisser vers le haut. Recherchez le blocage. S'il est dans ce tube, enlevez-le avec un cintre.
- 30 Si ce n'est pas ce tube qui est bloqué, regardez dans le logement de ventilateur. Enlevez les débris avec des pinces à long bec, un tournevis ou un cintre.
- 31 Au remontage, vérifiez le joint torique sur le tube et remplacez-le s'il est endommagé. Remontez le tube en alignant d'abord la fente à sa base avec la patte dans le carter de ventilateur.
- 32 Insérez le tube et enfoncez-le jusqu'à ce qu'il soit bien en place. Assurez-vous que le joint torique est bien positionné contre l'ouverture du carter de ventilateur. Serrez le collier jusqu'au verrouillage de ses taquets. Fixez de nouveau l'attache élastique de sac. Positionnez l'ensemble de cordon le long du tube entre l'arrière du sac extérieur et ses couvertures. Refermez la couverture inférieure avec Velcro® du sac extérieur.
- 33 Très souvent des blocages surviennent du fait d'un sac à poussière trop plein, ce qui amène la poussière à descendre dans le système de circulation de l'air. Quand cela arrive, le blocage sera en haut de ce système, en commençant dans la zone où le sac à poussière est relié à l'ensemble de connecteur. Remarque : Si les actions qui précèdent n'ont pas corrigé le problème, contactez un centre de réparations agréé par Oreck ou appelez notre centre de service à la clientèle **US: 1-800-989-3535 Canada: 1-888-676-7325**



Velcro® est une marque commerciale déposée détenue par Velcro Industries B.V., société à responsabilité aux Pays-Bas.

Dépannage

Des problèmes de panne pouvant apparaître comme graves peuvent souvent être résolus facilement. Vous pouvez être votre propre dépanneur en passant ce guide en revue.

Toutes les autres interventions devront être effectuées par un centre de dépannages agréé par Oreck.

Problème	Vérification	Action à prendre
L'aspirateur ne se met pas en marche.	<ul style="list-style-type: none"> Mauvais branchement électrique. Pas de secteur sur la prise. 	<ul style="list-style-type: none"> Vérifiez que l'aspirateur est bien branché dans la prise. Vérifiez l'arrivée du secteur au niveau du fusible ou du disjoncteur en amont.
L'aspirateur n'aspire pas.	<ul style="list-style-type: none"> Sac à poussière plein. Bouchage d'aspiration à la buse ou au pivot d'aspiration. Courroie cassée ou distendue. Brosse usée. Tube de sac bouché. Pores du sac obstrués par de la poussière fine. Turbine de ventilateur cassée. Brosse tournante pas du même niveau des deux côtés. 	<ul style="list-style-type: none"> Remplacez le sac de filtrage. Reportez-vous à la section "Remplacement du sac à poussière jetable anti-odeurs". Dégagez l'obstruction. Remplacez la courroie. Reportez-vous à la section "Réglage ou remplacement du rouleau-brosse". Dégagez l'obstruction. Changez le sac. Renvoyez l'appareil à un centre de service pour le faire réparer. Vérifiez le scellement des roulements, assurez-vous de la compatibilité "Spécial" ou "Normal" à chaque extrémité.
L'unité ne fonctionne toujours pas correctement.	<ul style="list-style-type: none"> Revérifiez tous les points précédents. 	<ul style="list-style-type: none"> Contactez Oreck pour de l'assistance.

Pièces

Tous les accessoires et les pièces de rechange sont en vente séparément. Pour en commander, appelez le groupe de service à la clientèle ou allez sur notre site Web. Veuillez avoir avec vous la référence de modèle qui se trouve sur l'étiquette signalétique en bas de l'aspirateur.

Accessories

Description	Référence de pièce
Rafraîchisseur pour moquettes et locaux Crystal Aroma®	AROMAI
Système Oreck de nettoyage à sec de moquettes	303110S

Pièces de rechange

Description	Référence de pièce
Sacs à poussière hypoallergéniques anti-odeurs Saniseal® en paquet de 8	CCPK80F
Courroies en paquet de 3	0300604

Contacts d'urgence du service à la clientèle

USA : 1-800-989-3535 Canada : 1-888-676-7325

Site Web : www.oreck.com

Garantie



ORECK MANUFACTURING COMPANY : (ORECK vous fournit cette garantie limitée pour le produit uniquement s'il a été acheté à l'origine pour utilisation résidentielle, et non pour revente, à partir d'Oreck ou revendeur Oreck agréé)

Oreck s'engage à réparer ou remplacer, sans frais pour l'acheteur d'origine, toute pièce trouvée défectueuse pour cause de matériaux ou de main-d'œuvre, pendant dix (10) ans immédiatement après la date d'achat. Cette garantie limitée s'applique pour une utilisation domestique normale. Toute utilisation commerciale de ce produit annulerait la garantie limitée. Cette garantie limitée ne couvre le rouleau-brosse rotatif que pendant un (1) an uniquement en utilisation résidentielle.

Cette garantie limitée ne couvre pas le remplacement de pièces non réutilisables ou consommables telles que charbons de moteur, brosses pour les bords, courroies d'entraînement, brosses, ampoules, sacs jetables et autres pièces soumises à l'usure normale, sauf si elles souffraient d'un défaut du aux matériaux ou à la main d'œuvre.

Cette garantie limitée ne couvre pas toute pièce ayant subi un accident, une utilisation abusive, excessive ou commerciale, des dommages par catastrophe naturelle, une alimentation sur un secteur de valeur autre que celle mentionnée sur l'étiquette signalétique du produit, ou une intervention par une entité autre qu'Oreck ou un centre de service agréé par Oreck. Oreck n'autorise aucune personne ou représentant à assumer ou fournir une quelconque obligation de garantie avec la vente de ce produit.

La garantie limitée d'Oreck n'est valide que si vous conservez la preuve de l'achat de ce produit chez Oreck ou un des ses revendeurs agréés. Si vous avez acheté ce produit depuis une autre source, c'est un achat « EN L'ÉTAT » ce qui signifie qu'Oreck ne vous accorde aucune garantie et que c'est vous, et non Oreck, qui assumerez les risques liés à la qualité et à la performance pour ce produit, y compris le coût intégral de tous entretiens ou réparations de tous défauts.

La responsabilité d'Oreck concernant des dommages pour vous pour tous les coûts survenant dans le cadre de cette garantie limitée se limitera au montant payé pour ce produit au moment de son achat d'origine, et Oreck ne pourra pas être tenu pour responsable de tous dommages directs ou indirects, accessoires ou consécutifs, causés par l'utilisation ou l'impossibilité d'utilisation de ce produit. Certaines provinces ne permettent pas l'exclusion ou la limitation des responsabilités pour dommages accessoires ou consécutifs, en vertu de quoi la limitation ou exclusion formulée plus haut peut ne pas s'appliquer pour vous.

TOUTES GARANTIES EXPLICITES OU IMPLICITES POUR CE PRODUIT, INCLUANT LES GARANTIES IMPLICITES DE VALEUR MARCHANDE ET D'ADÉQUATION POUR UNE UTILISATION SPÉCIFIQUE, SONT LIMITÉES EN DURÉE À LA PÉRIODE DE GARANTIE DU PRODUIT, AUCUNE GARANTIE EXPLICITE OU IMPLICITE NE SERA APPLICABLE À L'ISSUE DE CETTE PÉRIODE.

Certaines provinces ne permettent pas les limitations sur ma durée des garanties implicites, la limitation formulée ci-dessus peut donc ne pas être applicable pour vous.

Cette garantie vous donne des droits légaux spécifiques, et vous pouvez avoir d'autres droits qui varient d'une province à l'autre.

Guía del
usuario

ORECK[®] XL[®]

Aspiradora vertical, liviana y poderosa

Serie Platinum Pilot[™] de ORECK XL[®]



ORECK clean home[™]
HEALTHIER. EASIER. SMARTER.[™]

**HEPA
CELOC[®]**
HYPO-ALLERGENIC FILTERING SYSTEM

 **Microban[®]**
antimicrobial product protection

¡Importante!

Lea cuidadosamente todas las instrucciones, y guarde para futura consulta.

Microban[®] es una marca comercial registrada de Microban Products Company Corporation, North Carolina.

Download from [Www.Somanuals.com](http://www.Somanuals.com). All Manuals Search And Download.

Seguridad

Advertencias generales



¡INSTRUCCIONES DE SEGURIDAD IMPORTANTES!

Al utilizar electrodomésticos, siempre deben seguirse precauciones básicas, incluyendo las siguientes:
LEA TODAS LAS INSTRUCCIONES ANTES DE UTILIZAR ESTA ASPIRADORA.

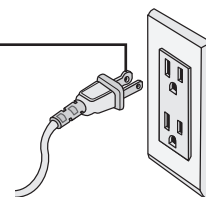
ADVERTENCIA: Para reducir el riesgo de incendio, descarga eléctrica, o lesiones físicas:

- No deje desatendido el electrodoméstico mientras está enchufado. Desconéctelo del tomacorriente cuando no está en uso y antes de realizarle mantenimiento.
- No la utilice en exteriores ni en superficies húmedas.
- No opere la unidad mientras está en la posición vertical asegurada.
- No permita que la unidad opere por ningún período de tiempo mientras está en una posición estacionaria. Mantenga en movimiento la unidad mientras está en funcionamiento.
- No permita que la utilicen como juguete. Se requiere de supervisión cuando es utilizada por niños o cerca de ellos.
- Utilice este producto sólo como se indica en este manual. Utilice sólo accesorios recomendados por el fabricante.
- No la utilice con cables ni enchufes dañados. Si el aparato no está funcionando como debería, si se ha caído, está dañado, se dejó en exteriores, o cayó al agua, devuélvalo a un centro de servicio o llame al departamento de servicio al cliente en el teléfono: EE.UU.: 1-800-989-3535 Canadá: 1-888-676-7325
- No la arrastre ni traslade mediante el cable, no utilice el cable como mango, no cierre la puerta sobre el cable, ni hale el cable alrededor de esquinas o bordes filosos.
- Mantenga el cable alejado de las superficies calientes.
- No pase el aparato sobre el cable.
- No tire del cable para desenchufar el aparato. Para desenchufar, tome el enchufe, no el cable.
- No toque el enchufe ni la aspiradora con las manos mojadas.
- No coloque objetos dentro de las aberturas de la unidad. No utilice la aspiradora con alguna abertura obstruida; manténgala libre de polvo, hilachas, pelos y cualquier cosa que pudiera reducir el flujo de aire.
- Mantenga alejado de las aberturas y piezas móviles, su cabello, la ropa suelta, los dedos y cualquier parte del cuerpo.
- No utilice para recoger elementos en combustión o humeantes como cigarrillos, fósforos o cenizas calientes.
- No utilice la aspiradora sin la bolsa filtrante en su sitio.
- Apague todos los controles antes de desenchufar la unidad.
- Tenga especial cuidado al realizar trabajos de limpieza en escaleras.
- No la utilice para recoger líquidos inflamables o combustibles, tales como gasolina o fluido combustible, ni la use en áreas donde puedan haber dichos elementos.
- No utilice el aparato en un espacio encerrado donde vapores inflamables, explosivos o tóxicos son liberados por pinturas a base de aceite, por disolventes o algunas sustancias contra las polillas, o en una área donde exista polvo inflamable.
- No recoja con este aparato materiales tóxicos tales como blanqueador a base de cloro, limpiador de drenajes, gasolina, etc.
- Tenga precaución al aspirar sobre flecos y bordes de alfombras.

GUARDE ESTAS INSTRUCCIONES

Sólo uso doméstico

Un enchufe polarizado tiene una pata redondeada y una pata recta. La pata redondeada ingresa en la ranura más larga del tomacorriente. Para reducir el riesgo de descarga eléctrica, este equipo tiene un enchufe polarizado (una pata es más ancha que la otra). Este enchufe enchufará sólo de una manera en un tomacorriente polarizado. Si el enchufe no enchufa totalmente dentro del tomacorriente, invierta el enchufe. Si el enchufe sigue sin enchufar, comuníquese con un electricista calificado para que instale el tomacorriente apropiado. No altere el enchufe de ninguna manera.



Gracias por comprar nuestra mejor aspiradora vertical Serie U7200 Platinum Pilot™ de Oreck XL®. Es la aspiradora vertical más silenciosa y poderosa que Oreck ha desarrollado. La aspiradora U7200 tiene una garantía de 10 años, 10 ajustes gratuitos, alta velocidad para limpiar alfombras y baja velocidad para limpiar pisos desnudos. La filtración HEPA-Celoc® atrapa hasta el 99.99% de todas las partículas incluyendo polen, esporas de moho y caspa de mascotas. Y porque es una aspiradora Oreck, ésta puede ayudar a restaurar la suavidad de su alfombra durante su primer uso.



Para hablar con un representante de Oreck, llame al teléfono:
EE.UU.: 1-800-989-3535 Canadá: 1-888-676-7325



En la Internet, señale y haga clic en: www.oreck.com



Visite cualquiera de nuestros casi 450 Centros de Casa Limpia (Clean Home Centers) de Oreck. Para encontrar la tienda más cercana, por favor llame al teléfono 888-oreckstore (888-673-2578) ó visite www.oreckstore.com.

Disfrútela

Llame
Haga clic
Visite

Contenido



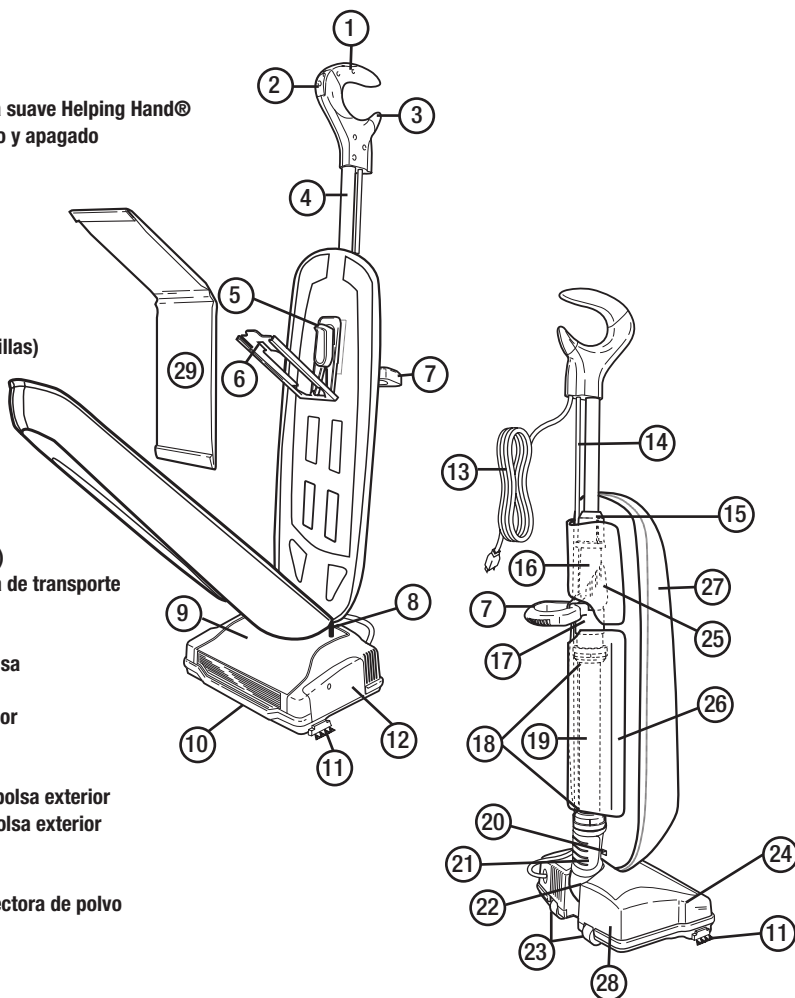
Seguridad	20
Advertencias generales	20
Operación	21
Lista de piezas	21
Ensamblaje del tubo-mango	22
Manejo de la aspiradora U7200.....	22
Almacenamiento.....	22
Instrucciones de operación	22
Información general	23
Bolsas filtrantes recolectoras de polvo, eliminadoras de olores	23
Microban®	23
Sistema de filtro hipo-alérgico HEPA-Celoc®	23
Sistema "360° Glide" (Deslizamiento de 360°)	23
La correa	23
Lubricación	23
Mantenimiento	24
Reemplazo de la bolsa desechable recolectora de polvo, eliminadora de olores	24
Reemplazo de correa desgastada	24
Ajuste o reemplazo del rodillo-cepillo	24
Reemplazo del cepillo de borde	25
Reemplazo de la bombilla LED	25
Atestadura de material u obstrucción	25
Solución de problemas	26
Piezas	26
Accesorios y piezas de repuesto	26
Garantía	27

Operación

Para ayudarle a identificar los componentes de su aspiradora, las piezas han sido numeradas de la siguiente manera.

Lista de piezas

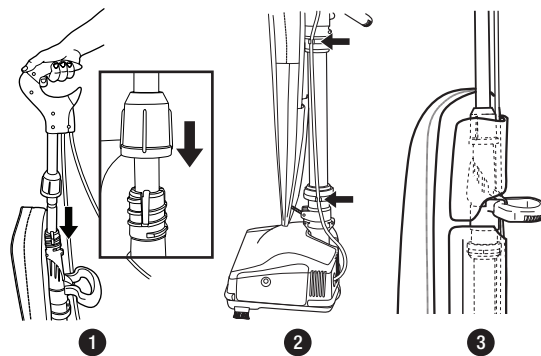
- 1 Mango con empuñadura suave Helping Hand®
- 2 Interruptor de encendido y apagado
- 3 Liberador de cable
- 4 Tubo-mango
- 5 Desviador
- 6 Ancladero de bolsa
- 7 Manija de transporte
- 8 Cremallera
- 9 Salpicadero (incluye lentes de bombillas)
- 10 Parachoques principal
- 11 Cepillo de borde
- 12 Puerta de correa
- 13 Cable de suministro de energía
- 14 Cable
- 15 Collar del mango
- 16 Desviador (vista trasera)
- 17 Abrazadera de la manija de transporte
- 18 Collares
- 19 Tubo inferior
- 20 Correa elástica de la bolsa
- 21 Placa curva
- 22 Alojamiento del ventilador
- 23 Ruedas traseras
- 24 Tapa
- 25 Cubierta superior de la bolsa exterior
- 26 Cubierta inferior de la bolsa exterior
- 27 Bolsa exterior
- 28 Cabezal de trabajo
- 29 Bolsa desechable recolectora de polvo



Operación

Ensamblaje del tubo-mango

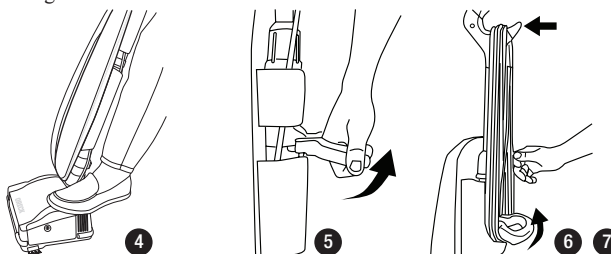
- 1 Abra las cubiertas de la bolsa exterior; para ello levante el lado de Velcro del panel. Alinee la ranura del tubo del mango con la lengüeta del conector. Inserte el tubo del mango en el conector. Apriete el collar de la base del tubo del mango sobre el conector hasta que quede bloqueado por encaje a presión.
- 2 Encaje a presión el conjunto de cordón en el sujetador de cordón ubicado en el lado izquierdo del collar. Deje el resto del cordón en el cabezal motorizado, para permitir el movimiento. Posicione el conjunto de cable a lo largo del tubo, entre la parte posterior de la bolsa exterior y las cubiertas de la misma.
- 3 Panel-cubierta superior tipo Velcro® de la bolsa exterior, en su sitio.



Manejo de la aspiradora U7200

Verifique que la bolsa desechable recolectora de polvo, eliminadora de olores, está en su sitio. NO opere la aspiradora sin la bolsa recolectora de polvo. Enchufe el cable de suministro de energía en un tomacorriente eléctrico y oprima el interruptor On Low (I) - On High (II) - OFF (O) [Encendido Baja (I) - Encendido Alta (II) - Apagado (O)] ubicado en el mango, cuando se esté listo para operar la aspiradora.

- 4 **Seguro de posición arriba (Up-Position Lock)** - Coloque el pie sobre el cabezal de trabajo e incline el mango suavemente hacia atrás para liberar el seguro para uso de la aspiradora. Regrese el mango a la posición totalmente vertical para enganchar el seguro. El mango debe girarse hasta la posición central antes de regresar a la posición vertical. Nota: No opere la unidad mientras está en la posición vertical asegurada. No permita que la unidad opere por ningún periodo de tiempo mientras está en una posición estacionaria. Mantenga en movimiento la unidad mientras está en funcionamiento.
- 5 **Manija de transporte** - Levante la manija de transporte ubicada en la parte trasera de la unidad, para fácil levantamiento, transporte y trabajos de aspiración en escaleras. Baje la manija durante el uso para eliminar la obstrucción.
- 6 **Fácil almacenamiento del cable de suministro de energía** - Levante la manija de transporte y enrolle el cable de energía alrededor de la manija de transporte y del mango Helping Hand®.
- 7 Para liberar cable, gire _vuelta el liberador de cable ubicado en el mango Helping Hand®. Deslice el cable hacia afuera del mango.



Almacenamiento

Tanto el mango Helping Hand® como la manija de transporte pueden utilizarse para conveniente almacenamiento ahorrador de espacio de la aspiradora. Cuelgue la aspiradora mediante la manija de transporte sobre un sujetador resistente o mediante el mango Helping Hand® sobre una varilla del guardarropa / armario.

Instrucciones de operación

Esta nueva aspiradora vertical ORECK es una de las unidades más refinadas, más rápidas y más fuertes de su clase. Usted adorará la manera como realiza la limpieza, se mete debajo de las cosas, y es MUY liviana y fácil de utilizar. Las siguientes son unas pocas sugerencias sencillas relacionadas con su manejo:

1. Al insertar una nueva bolsa desechable recolectora de polvo - PRIMERO INFLE y ABRA LA BOLSA.
2. Cuando la bolsa desechable recolectora de polvo esté llena, REEMPLÁCELA.
3. Si en cualquier momento la máquina no aspira el polvo apropiadamente o produce un ruido inusual, DETENGA SU FUNCIONAMIENTO y suministre servicio de mantenimiento.
4. Aunque su aspiradora vertical es capaz de recoger alfileres, sujetadores de papel y otros objetos pequeños, se recomienda retirar estos elementos del piso antes de realizar la aspiración. No hacerlo así podría resultar en daño permanente del ventilador de succión y su alojamiento.
5. ADVERTENCIA: No utilice su aspiradora sobre superficies húmedas o mojadas. Esto causará daño a la aspiradora y es peligroso para el usuario. El daño causado por uso en superficies mojadas o húmedas no está cubierto por la garantía.
6. Para óptimo desempeño, reemplace la correa cada 6 meses.
7. Revise la bolsa desechable recolectora de polvo al menos una vez al mes.
8. NO pase la aspiradora sobre el cable de suministro de energía. El cepillo giratorio podría dañar el cable.
9. Tenga precaución al aspirar sobre flecos y bordes de alfombras.

Velcro® es una marca comercial registrada de propiedad de Velcro Industries B.V. Limited Liability Company Netherlands.

Información general

El rendimiento de su nueva aspiradora depende grandemente del cuidado y mantenimiento. Las instrucciones contenidas en este manual le ayudarán en la realización del cuidado y mantenimiento básicos. Para obtener muchos años de servicio satisfactorio, lea las instrucciones y guárdelas para futura consulta.

Bolsas desechables recolectoras de polvo, eliminadoras de olores

Las bolsas desechables recolectoras de polvo y eliminadoras de olores desempeñan una función muy importante en la eficiencia de su aspiradora ORECK. El propósito de la bolsa recolectora de polvo es atrapar la suciedad, pero al mismo tiempo ésta debe ser lo suficientemente porosa para permitir el paso del aire. Si la bolsa recolectora de polvo se obstruye, el aire no puede pasar a través de la aspiradora y la limpieza no se puede realizar, sin importar la potencia de la aspiradora.

Para mantener su aspiradora operando a máxima eficiencia, cambie frecuentemente la bolsa recolectora de polvo. **NO DEBE LLENARSE MÁS ALLÁ DE LA LÍNEA INDICADA EN LA BOLSA RECOLECTORA DE POLVO.**

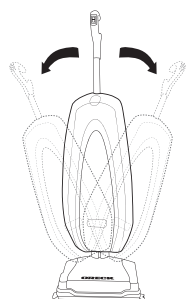
Verifique que la bolsa recolectora de polvo está instalada apropiadamente. Nota: Todas las bolsas desechables recolectoras de polvo no son iguales. Sus bolsas recolectoras de polvo desechables ORECK han sido diseñadas para utilizarse con la aspiradora ORECK. El uso de bolsas diferentes a las bolsas desechables genuinas TIPO CC de ORECK afectará la capacidad de limpieza de su aspiradora y podría causarle daño.

Microban®

Durante la fabricación de esta aspiradora vertical, Oreck agregó el Microban a los principales puntos de contacto de la unidad (mango, ancladero de la bolsa, placa de base y cubierta superior), con el fin de inhibir el crecimiento de bacterias adentro y sobre la aspiradora. Cuando los microbios, tales como las bacterias y el moho hacen contacto con la superficie del producto, el Microban® penetra la pared de la célula e interrumpe sus funciones claves, de modo que éstos no pueden crecer ni reproducirse. Su aspiradora Oreck permanecerá más limpia durante más tiempo.

Sistema de filtro hipo-alérgico HEPA-Celoc®

La bolsa exterior HEPA-Celoc de su aspiradora está hecha de un material médico de alta filtración diseñado para filtrar la más pequeña de las partículas de polvo. Es importante limpiar el interior de la bolsa exterior. Aspire el interior de la bolsa exterior según se requiera. Si se desea, la bolsa exterior HEPA-Celoc puede reemplazarse para lograr eficiencia renovada. La bolsa interior desechable recolectora de polvo Celoc está diseñada para óptimo desempeño. Dependiendo del ambiente de limpieza, ésta podría tener que cambiarse tan frecuentemente como una vez al mes. Cámbiela más frecuentemente si se utiliza en áreas extremadamente sucias. Aumente el poder de limpieza de su aspiradora cambiando frecuentemente la bolsa.



Sistema "360° Glide" (Deslizamiento de 360°)

Su nueva aspiradora vertical Oreck tiene el sistema de giro "360° Glide". El sistema "360° Glide" otorga un nivel de maniobrabilidad completamente nuevo a su aspiradora vertical liviana Oreck. No se requiere instalación. Simplemente gire el mango de su aspiradora vertical Oreck para maniobrar la unidad. Vaya a la izquierda, vaya a la derecha, realice giros cerrados debajo y alrededor de los muebles.

La correa

La correa de su aspiradora controla la velocidad del cepillo giratorio y es muy importante para el funcionamiento efectivo de la aspiradora. Si la correa se alarga o se rompe, esto causará que el cepillo giratorio se detenga completamente o reduzca su velocidad. Vea las instrucciones en el manual para reemplazar la correa.

Nota: Una correa adicional está guardada en la placa de base de su aspiradora. Al comprar correas de repuesto, SÓLO utilice correas genuinas ORECK. Correas diferentes a las correas Oreck no harán funcionar correctamente el cepillo giratorio y podrían crear un esfuerzo indebido que causará daño a los cojinetes del cepillo y del motor. El uso de correas diferentes a las correas ORECK anulará la garantía.

Lubricación

Los cojinetes del motor de la aspiradora son del tipo lubricado y sellado en fábrica. No se requiere lubricación adicional.

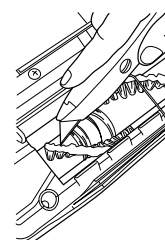
PRECAUCIÓN

Pisos de madera, superficies blandas de pisos (vinilo, baldosa de asfalto, etc.) y acabados pulidos de pisos

Utilice los métodos de limpieza recomendados por el fabricante del piso y de los acabados de pisos. El cepillo-rodillo también podría rayar acabados muy blandos. No opere la unidad mientras está en la posición vertical asegurada. No permita que la unidad opere por ningún período de tiempo mientras está en una posición estacionaria. Mantenga en movimiento la unidad mientras está en funcionamiento.

Nota: Al menos una vez al mes, revise y quite del cepillo giratorio las hilachas, cuerdas o pelos excesivos. Las ranuras de limpieza patentadas del rodillo-cepillo permitirán una limpieza más fácil. Limpie frotando con un trapo húmedo la parte exterior de la aspiradora. Además limpie el área del desviador, la base de la aspiradora y el área del alojamiento del ventilador. Si hay polvo en la bolsa exterior, aspirela o sacúdala.

Un pequeño trabajo de mantenimiento preventivo mantendrá su aspiradora como nueva y garantizará una efectividad continuada en la limpieza.



Microban® es una marca comercial registrada de Microban Products Company Corporation, North Carolina.

Reemplazo de la bolsa desechable recolectora de polvo, eliminadora de olores

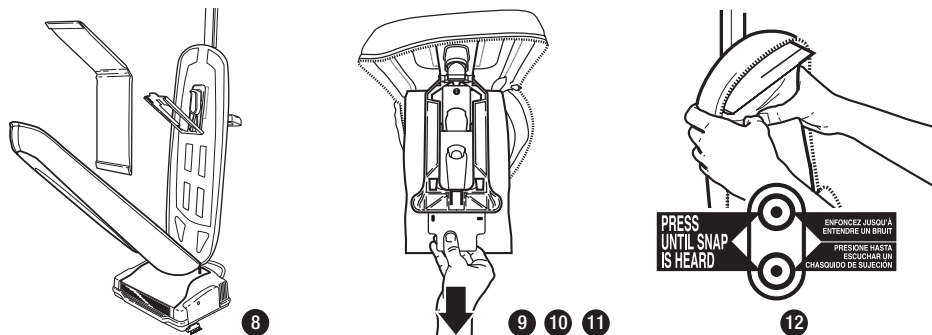
⚠ ADVERTENCIA: Antes de realizar el servicio de mantenimiento, desenchufe el cable del tomacorriente eléctrico.

REMOCIÓN DE LA BOLSA:

- 8 Abra completamente la cremallera de la bolsa exterior.
- 9 Hale el collar de cartón de la bolsa para liberar la puerta ancladero de la bolsa. La puerta ancladero de la bolsa girará hacia abajo.
- 10 Hale suavemente el collar de cartón de la bolsa hacia arriba y afuera del ancladero de la bolsa. El sello contra polvo Saniseal® se cerrará automáticamente.

INSTALACIÓN DE LA BOLSA:

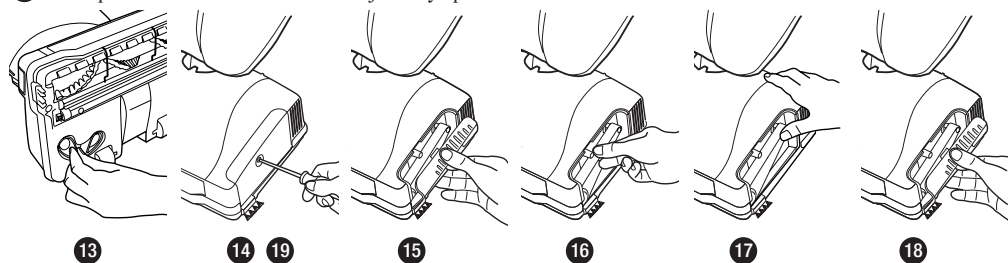
- 11 Deslice el collar de cartón completamente sobre la puerta ancladero de la bolsa.
- 12 Empuje firmemente la puerta ancladero de la bolsa con ambos dedos pulgares en el punto indicado hasta que se sujete a presión al escuchar un chasquido.



Reemplazo de correa desgastada

⚠ ADVERTENCIA: Antes de realizar el servicio de mantenimiento, desenchufe el cable del tomacorriente eléctrico.

- 13 Saque la correa de repuesto fuera del compartimiento de almacenamiento.
- 14 Remueva la tapa removiendo el tornillo de sujeción ubicado en el lado del cabezal de trabajo.
- 15 Gire la tapa alejándola del cabezal de trabajo y levántela.
- 16 Quite la correa del eje impulsor del motor y de la polea del rodillo-cepillo.
- 17 Instale la correa nueva sobre la polea del rodillo-cepillo. Coloque el extremo opuesto de la correa en el eje impulsor del motor.
- 18 Coloque nuevamente la tapa colocando la lengüeta inferior de la tapa dentro de las ranuras ubicadas en el cabezal de trabajo y presionando la tapa para cerrarla.
- 19 Coloque nuevamente el tornillo de sujeción y apriételo.

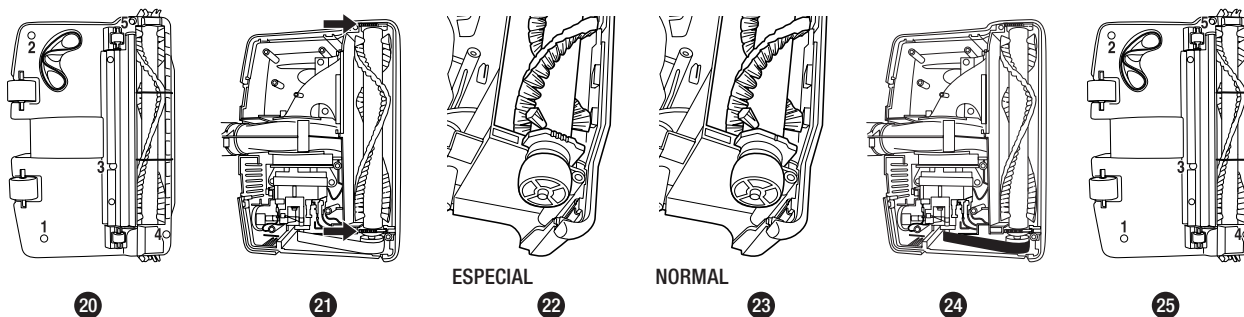


Ajuste o reemplazo del rodillo-cepillo

⚠ ADVERTENCIA: Antes de realizar el servicio de mantenimiento, desenchufe el cable del tomacorriente eléctrico.

Su aspiradora Oreck viene con el rodillo-cepillo colocado en la posición "NORMAL" para la mayoría de tipos de alfombras. Cuando la aspiradora se utiliza principalmente en alfombras berber, usted puede ajustar el rodillo-cepillo en la posición "ESPECIAL" para mayor rendimiento.

- 20 Remueva la placa de base removiendo 5 tornillos. Luego, saque del alojamiento la correa y el rodillo-cepillo.
- 21 Gire ambos soportes de extremo del rodillo-cepillo hasta mostrar "SPECIAL" y coloque nuevamente en los canales de apoyo del alojamiento.
- 22 **Nota:** La posición marcada "SPECIAL" tiene varias ranuras en la parte superior del soporte de extremo.
- 23 La posición del soporte de extremo del cepillo marcada "NORMAL" tiene una ranura. Al girar los soportes, verifique que ambas posiciones de los soportes de extremo son iguales y están dirigidas hacia arriba al colocar nuevamente el rodillo-cepillo.
- 24 Reinstale la correa.
- 25 Reinstale la placa de base.



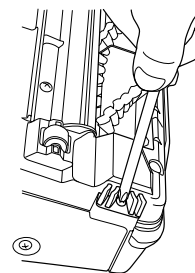
Reemplazo del cepillo de borde

⚠ ADVERTENCIA: Antes de realizar el servicio de mantenimiento, desenchufe el cable del tomacorriente eléctrico.

- 26** Voltee el cabezal de trabajo. Con la placa de base dirigida hacia arriba, remueva el tornillo ubicado en el centro de cada cepillo de borde. Quite ambos cepillos de borde y reemplácelos con los nuevos. Coloque nuevamente ambos tornillos y apriételos.

Reemplazo de la bombilla LED

La bombilla debe ser reemplazada en un centro de servicio autorizado de Oreck cuando ésta no se encienda durante la operación.

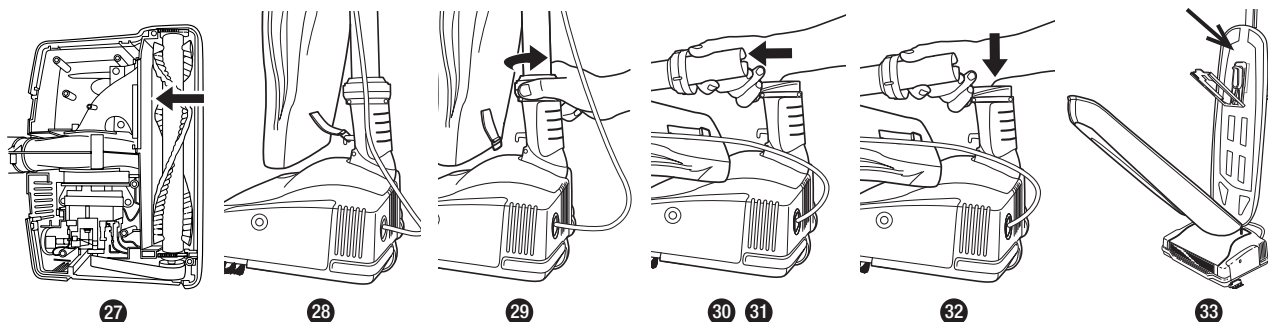


Atestadura de material u obstrucción

IMPORTANTE: En alfombras de felpa o alfombras nuevas, podría ocurrir una obstrucción dentro del tubo de entrada y el tubo inferior. Esto se debe a la excesiva cantidad de pelusa y material suelto en la alfombra. Podría ocurrir obstrucción durante las primeras limpiezas hasta que todo el material suelto sea removido. Debido a la alta eficiencia de la aspiradora, muchas alfombras viejas causarán obstrucción cuando la aspiradora se utiliza por primera vez en éstas. Si su aspiradora no aspira apropiadamente, o produce ruido inusual y la bolsa exterior no se infla, siga estos pasos:

⚠ ADVERTENCIA: Antes de realizar el servicio de mantenimiento, desenchufe el cable del tomacorriente eléctrico.

- 27** Revise en cuanto a obstrucción en la abertura de entrada. Si hay obstrucción, elimínela con pinzas de punta larga, un destornillador o un gancho de chaqueta/saco. Si usted no puede alcanzar la obstrucción, remueva la placa de base. Remueva la placa de base removiendo 5 tornillos (vea "Ajuste o reemplazo del rodillo-cepillo").
- 28** Si el bloqueo no está en la base, retire el tubo inferior. Desenganche la correa elástica de la bolsa, para liberar así el fondo de ésta. Abra la cubierta inferior con Velcro® de la bolsa exterior para tener acceso a los collares y al tubo inferior.
- 29** Gire en sentido antihorario el collar inferior para deslizar hacia arriba. Hale el tubo hacia afuera de la base. Revise en busca de obstrucción. Si la obstrucción está en el tubo, remuévala con un gancho de chaqueta/saco.
- 30** Si el tubo no está obstruido, examine el interior del alojamiento del ventilador. Remueva los desechos mediante pinzas de punta larga, un destornillador o un gancho de chaqueta/saco.
- 31** Para volver a montar, revise la junta tórica (O-ring) del tubo y reemplácela si estuviera dañada. Vuelva a instalar el tubo; para ello alinee primero la ranura de la base del tubo con la lengüeta que está dentro del alojamiento del ventilador.
- 32** Inserte el tubo y empuje hacia abajo hasta que asiente. Asegúrese de que la junta tórica (O-ring) esté colocada contra la abertura del alojamiento del ventilador. Apriete el collar hasta sus lengüetas de bloqueo queden bloqueadas. Vuelva a colocar la correa elástica de la bolsa. Posicione el conjunto de cable a lo largo del tubo, entre la parte posterior de la bolsa exterior y las cubiertas de la misma. Cierre la cubierta inferior de la bolsa exterior con el Velcro®.
- 33** Muchas veces la obstrucción ocurre debido a una bolsa recolectora de polvo llena que causa que la suciedad se regrese al sistema de flujo de aire. Cuando esto sucede, la obstrucción estará en la parte superior del sistema, comenzando en el área donde la bolsa recolectora de polvo se conecta al conector. Nota: Si las anteriores acciones no corrigen el problema, comuníquese con un centro de servicio autorizado de Oreck o llame al centro de servicio al cliente, EE.UU.: 1-800-989-3535 Canadá: 1-888-676-7325



Velcro® es una marca comercial registrada de propiedad de Velcro Industries B.V. Limited Liability Company Netherlands.

Solución de problemas

Los problemas de servicio que parecen grandes frecuentemente pueden solucionarse fácilmente. Estudiando esta guía, usted puede ser su propio técnico solucionador de problemas.

Todos los demás servicios de mantenimiento deben ser realizados por un centro de servicio autorizado de Oreck.

Problema	Revisar	Qué se debe hacer
La aspiradora no funciona.	<ul style="list-style-type: none"> No está enchufada apropiadamente. No hay electricidad en el tomacorriente. 	<ul style="list-style-type: none"> Verifique que la aspiradora está enchufada firmemente en el tomacorriente de pared. Revise la fuente eléctrica – fusible o interruptor automático (breaker).
La aspiradora no aspira la suciedad.	<ul style="list-style-type: none"> La bolsa filtrante está llena. Boquilla o pivote de entrada obstruidos. La correa está rota o alargada. El cepillo está desgastado. Tubo de bolsa obstruido. Bag pores are clogged with fine dust. El ventilador está roto El cepillo giratorio no está nivelado en ambos extremos. 	<ul style="list-style-type: none"> Reemplace la bolsa filtrante. Vea “Reemplazo de la bolsa desechable recolectora de polvo y eliminadora de olores”. Elimine la obstrucción. Reemplace la correa. Vea “Ajuste o reemplazo del rodillo-cepillo”. Elimine la obstrucción. Cambie la bolsa. Devuelva al centro de servicio, para reparación. Revisión del sello de soportes. Verifique que las palabras “Special” o “Normal” están en cada extremo.
La unidad sigue sin funcionar apropiadamente	<ul style="list-style-type: none"> Revise todos los puntos anteriores. 	<ul style="list-style-type: none"> Comuníquese con Oreck para obtener servicio.

Piezas

Todos los accesorios y piezas de repuesto se venden por separado. Para pedir, llame a nuestro grupo de servicio al cliente o visite nuestro sitio de Internet. Por favor obtenga su número de modelo mostrado en la etiqueta de datos ubicada en la parte interior de la unidad.

Accesorios

Ítem	Número de pieza
Ambientador de habitaciones/salas y alfombras, Crystal Aroma®	AROMAI
Sistema de limpieza Dry Carpet® de Oreck	303110S

Piezas de repuesto

Ítem	Número de pieza
Bolsa recolectora de polvo, paquete de 8 unidades, hipo-alérgica, eliminadora de olores, Saniseal®	CCPK8OF
Correas, paquete de 3 unidades	0300604

Línea directa de servicio al cliente

EE.UU.: 1-800-989-3535

Canadá: 1-888-676-7325

Sitio de Internet: www.oreck.com

Garantía



ORECK MANUFACTURING COMPANY: (Oreck Manufacturing Company le suministra la siguiente garantía limitada para este producto sólo si se compró originalmente para uso residencial (no reventa) a Oreck o un Distribuidor Minorista Autorizado de Oreck).

Oreck reparará o reemplazará, sin costo, para el comprador original, cualquier pieza que se encuentre está defectuosa por material o fabricación, dentro de un período de diez (10) años a partir de la fecha de compra. Esta garantía limitada aplica al uso doméstico normal. Cualquier uso comercial de este producto anulará esta garantía limitada. Esta garantía limitada cubre el cepillo-rodillo giratorio durante un (1) año para uso residencial únicamente.

Esta garantía limitada no cubre el reemplazo de piezas gastables o consumibles tales como escobillas de carbón del motor, cepillos de borde, correas impulsoras, cepillos, bombillas, bolsas desechables y otras piezas sometidas a desgaste normal, a menos que estén defectuosas por material o fabricación.

Esta garantía limitada no aplica a ninguna pieza sometida a accidente, abuso, uso comercial, alteración, uso incorrecto, daño causado por acto de Dios, el uso de voltajes diferentes a los indicados en el número de serie mostrado en este producto, o servicio de mantenimiento de este producto por parte de alguien diferente a Oreck o un Centro de Servicio Autorizado de Fábrica participante. Oreck no autoriza ninguna persona o representante para tomar u otorgar ninguna otra obligación de garantía con la venta de este producto.

La garantía limitada de Oreck sólo es válida si usted guarda el comprobante de compra a Oreck o un Distribuidor Minorista Autorizado de Oreck para este producto. Si usted compra este producto a cualquier otra entidad, su compra es "TAL COMO ESTÁ", lo que significa que Oreck no le otorga garantía, y que usted, no Oreck, asume todo el riesgo de la calidad y funcionamiento de este producto, incluyendo el costo total de cualquier servicio necesario o reparación de cualquier defecto.

La responsabilidad de Oreck en cuanto a daños ante usted por cualquier costo que surja de este texto de garantía limitada estará limitada a la cantidad pagada por este producto en el momento de la compra original, y Oreck no será responsable de ningún daño directo, indirecto, resultante o adicional que surja del uso o incapacidad de utilizar este producto. Algunos estados no permiten la exclusión o la limitación de los daños resultantes o adicionales, de modo que la anterior limitación o exclusión podría no aplicarse a usted.

TODAS LAS GARANTÍAS EXPRESAS E IMPLÍCITAS PARA ESTE PRODUCTO, INCLUYENDO LAS GARANTÍAS IMPLÍCITAS DE COMERCIALIZABILIDAD Y CONVENIENCIA PARA UN PROPÓSITO EN PARTICULAR, ESTÁN LIMITADAS EN DURACIÓN AL PERIODO DE GARANTÍA, Y NO SE APLICARÁN GARANTÍAS, YA SEA EXPRESAS O IMPLÍCITAS, DESPUÉS DE ESTE PERIODO.

Algunos estados no permiten limitaciones en la duración de garantías implícitas, de modo que la anterior limitación podría no aplicarse a usted.

Esta garantía le otorga derechos legales específicos, y además, usted podría tener otros derechos que varían de un estado a otro. Si es apropiado, vea la información adicional para la garantía extendida.

Free Manuals Download Website

<http://myh66.com>

<http://usermanuals.us>

<http://www.somanuals.com>

<http://www.4manuals.cc>

<http://www.manual-lib.com>

<http://www.404manual.com>

<http://www.luxmanual.com>

<http://aubethermostatmanual.com>

Golf course search by state

<http://golfingnear.com>

Email search by domain

<http://emailbydomain.com>

Auto manuals search

<http://auto.somanuals.com>

TV manuals search

<http://tv.somanuals.com>