

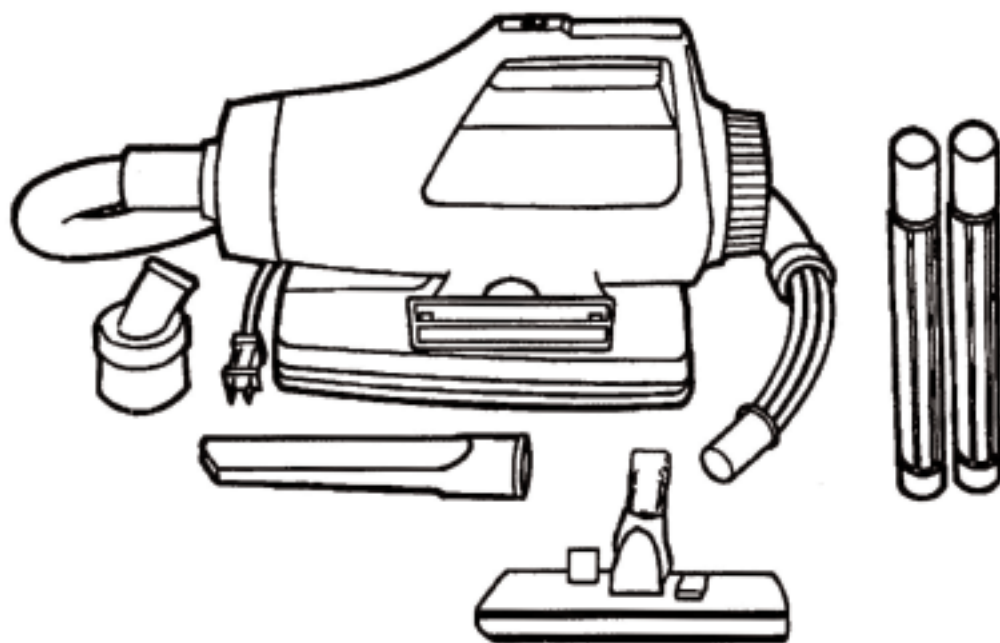
ORECK[®]

SIMPLY AMAZING[®]

USER'S GUIDE

ORECK[®] IRONMAN[®]

*Powerful New Sound Suppressed Motor
with Overload Protection Switch*



MODEL: IM90

**IMPORTANT:
Save This Booklet.**

**Please read these instructions
completely before using your
Ironman Canister vacuum.
FOR HOUSEHOLD USE ONLY.**



USA: 1-800-989-3535
CANADA: 1-888-676-7325



WWW.ORECK.COM



VISIT ONE OF OUR OVER
750 STORE LOCATIONS

IMPORTANT SAFETY INSTRUCTIONS

When using an electrical appliance, basic precautions should always be followed, including the following:

WARNING - To reduce the risk of fire, electric shock, or injury:

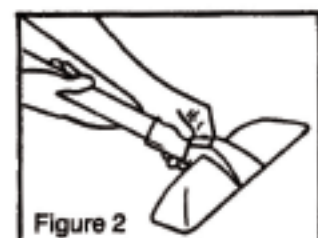
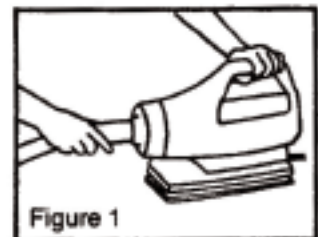
READ ALL INSTRUCTIONS BEFORE USING THIS PORTABLE CANISTER VACUUM

1. Do not leave appliance when plugged in. Unplug from outlet when not in use and before servicing.
2. **WARNING - To reduce the risk of electric shock - Do Not Use Outdoors or On Wet Surfaces.**
3. Do not allow to be used as a toy. Close attention is necessary when used by or near children.
4. Use only as described in this manual. Use only manufacturer's recommended attachments.
5. Do not use with any damaged cord or plug. If appliance is not working as it should, has been dropped, damaged, left outdoors, or dropped into water, return it to a service center.
6. Do not unplug by pulling on cord. To unplug, grasp the plug, not the cord.
7. Do not pull or carry by cord, use cord as handle, close a door on cord, or pull cord around sharp edges or corners. Do not run appliance over cord, keep cord away from heated surfaces.
8. Do not handle plug or appliance with wet hands.
9. Do not put any object into opening. Do not use with any opening blocked; keep free of dust, lint, hair, and anything that may reduce air flow.
10. Keep hair, loose clothing, fingers and all parts of body away from opening and moving parts.
11. Avoid operating this appliance with bare feet.
12. Do not pick up anything that is burning or smoking, such as cigarettes, matches, or hot ashes.
13. Make sure articles of clothing and all other objects are clear of path of power run tool while in operation.
14. Do not use without dust bag and/or filters in place.
15. Turn off all controls before unplugging.
16. Make sure appliance is turned off before connecting or disconnecting hose.
17. Use extra care when cleaning on stairs.
18. Do not use to pick up flammable or combustible liquids such as gasoline or use in areas where they may be present.
19. Any service done to this appliance should be done by qualified technician.
20. Keep this manual for future reference.

SAVE THESE INSTRUCTIONS

UNPACKING AND OPERATION

1. Unpack the vacuum cleaner from the carton. Identify the parts shown on cover of this care and use folder.
2. To attach the flexible hose, simply insert it into inlet of cleaner. To remove hose, press button firmly on coupling and pull out. (Fig. 1)
3. Attach the wands to the end of the hose. Attach the floor tool to end of wand. (Fig. 2) Use a slight twisting motion for any accessory connection to insure proper seal.
4. Attach accessories to the end hose. Simply push firmly onto end using a slight twisting motion to insure proper seal.



OPERATING INSTRUCTIONS

1. Connect to a properly polarized outlet only. See POLARIZATION INSTRUCTIONS.
2. Your ORECK cleaner has two speed settings LO and HI. Push the power switch forward on notch for the LO setting for gentle cleaning of drapes and shears. Push the power switch one more notch forward to the HI setting for maximum cleaning power. Pull the switch all the way back to turn the unit OFF.
3. Do not operate without the dust bag and foam filter in place.

MAINTENANCE AND STORAGE

CAUTION: ALWAYS UNPLUG POWER CORD FROM ELECTRICAL OUTLET BEFORE PERFORMING MAINTENANCE.

1. To insure maximum pick-up power, change bag often.
2. Check foam filter each time bag is changed. It is located at the bottom of the dust bag compartment. When dirty, the filter should be rinsed in water and dried completely before use.
3. Lubrication is not needed. The motor and bearings are self lubricating.
4. The pedestal base contains special receptacles for convenient tool and cord storage. (Fig. 3) For cord storage, set unit on end and wrap cord around pedestal. Secure cord by using clip on side of plug. (Fig. 4)
5. To store the unit use either of the two holes provided on the bottom of the base and secure on a wall or closet hook. Make certain the wall hook is securely anchored to support the 8 lbs. weight of the unit. (Fig. 5)

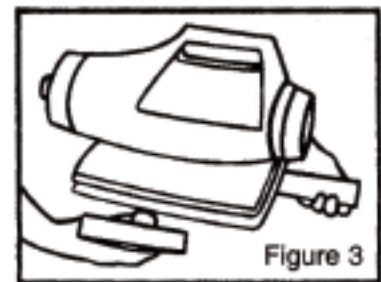


Figure 3



Figure 4



Figure 5

AUTOMATIC THERMAL PROTECTION DEVICE

For your safety and protection as well as the protection of the vacuum cleaner, the electric motor of this appliance is equipped with an automatic thermal protection device. The electric motor may automatically shut off if any one of the following occurs: Abnormal usage, clogging or blocking of any air passage, or a full dust bag.

CAUTION: ALWAYS UNPLUG CORD FROM ELECTRICAL OUTLET BEFORE PERFORMING MAINTENANCE.

If the thermal protection device shuts off the motor, unplug the vacuum cleaner and check the following.

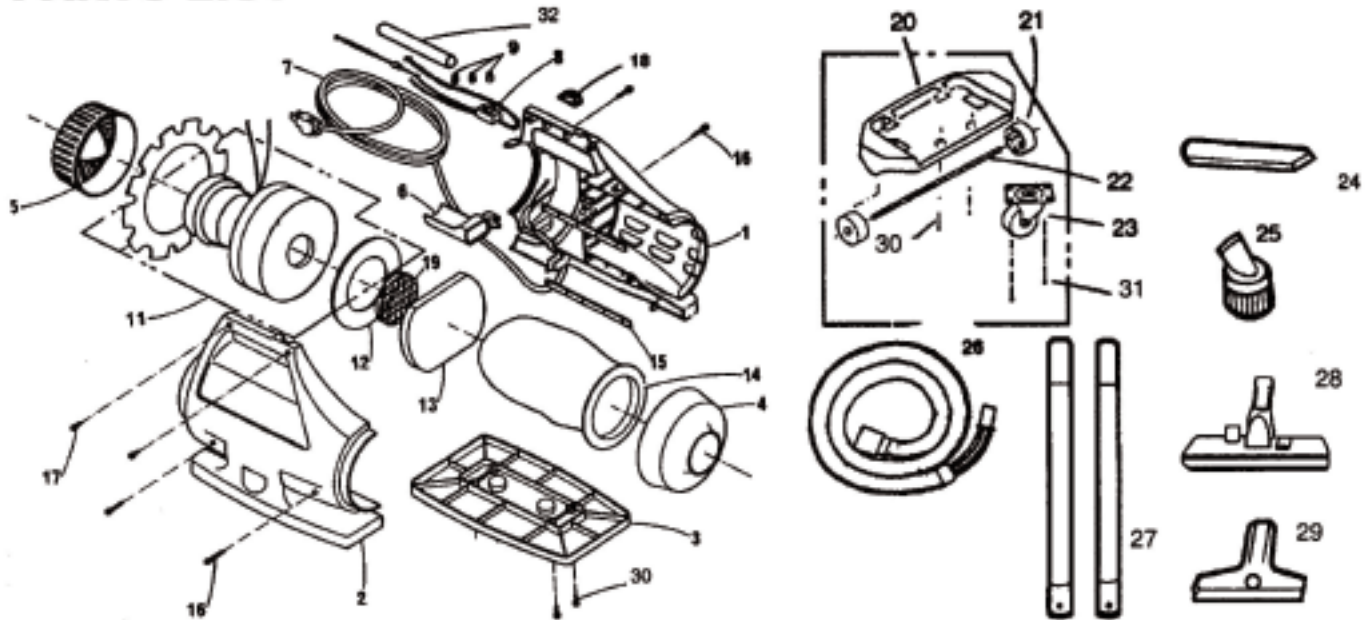
1. Make sure the hose is not clogged with dirt or other objects.
2. Make sure the dust bag is not full.
3. Make sure the foam filter located at the bottom of the dust bag compartment is not blocked or clogged.

It may take up to sixty minutes for the thermal protector to reset depending on the temperature of the motor, room temperature and other factors. When the motor cools sufficiently the thermal protector will automatically reset and the vacuum cleaner will become operational again.

POLARIZATION INSTRUCTIONS

To reduce the risk of electric shock, this appliance has a polarized plug (one blade is wider than the other). This plug will fit in a polarized outlet only one way. If the plug does not fit fully in the outlet, reverse the plug. If it still does not fit, contact a qualified electrician to install the proper outlet. Do not change the plug in any way.

PARTS LIST



ITEM NO.	PART NO.	DESCRIPTION
1.	62731D	Housing, L.H.
2.	62730D	Housing, R.H.
3.	62735N	Base Plate
4.	80034F	Inlet Assembly
5.	62734F	Exhaust Grill
6.	62736F	Cord Retainer
7.	61578T	Cord, 25' Lg.
8.	80058B	Switch, 2 Speed
9.	61199	Wire Connector (3)
	91082A	Motor Kit (Includes Nos. 11, 12)
11.	62007	Motor Assembly
12.	62006	Front Seal
13.	62795	Foam Filter
14.	61963G	Disposable Paper Filter Bag
15.	62741	Seal, Vacuum (2)
16.	61640F	Screw, No. 8x1 1/2" Lg. (4)

ITEM NO.	PART NO.	DESCRIPTION
17.	61640E	Screw, No. 8x3/4" Lg. (2)
18.	62764A	Glamour Cap
19.	62760	Screen, Motor
20.	62784B	Dolly
21.	62251A	Wheel, Plastic (2)
22.	62785	Axle, Dolly
23.	63962	Caster, Swivel
24.	62074G	Crevice Tool
25.	60815P	Dusting Brush
26.	63957	Flexible Hose (1M-90)
27.	62759E	Wand, 1 1/4" (2)
28.	62765G	Bare Floor and Carpet Tool
29.	80452	Upholstery Tool w/Brush
30.	63529	Screw, No. 8x3/4" (4)
31.	62260	Screw, No. 8x7/16" (2)
32.	62941	Sleeve, Fiberglass
	62742L	Decal, R.H.
	62743L	Decal, L.H.

ORECK MANUFACTURING COMPANY: (Oreck Manufacturing Company gives you the following limited warranty for this product only if it was originally purchased for residential use, not resale from Oreck or an Oreck Authorized Retail Dealer.)

Oreck will repair or replace, free of charge, to the original purchaser, any part that is found defective in material or workmanship within three (3) years of the date of purchase. Any commercial use of this product will void this limited warranty. This limited warranty does not cover the replacement of expendable or consumable parts such as belts, brushes, disposable bags and other parts subject to normal wear unless they are defective in material or workmanship.

This limited warranty does not apply to any part subjected to accident, abuse, commercial use, alteration, misuse, damage caused by act of God, the use of voltages other than indicated on the serial number displayed on this product or service of this product by other than Oreck or a participating Factory Authorized Service Center.

Oreck does not authorize any person or representative to assume or grant any other warranty obligation with the sale of this product. Oreck's limited warranty is valid only if you retain proof of purchase from Oreck or an Oreck Authorized Retail Dealer for this product. If you purchase this product from any other source, your purchase is "AS IS," which means Oreck grants you no warranty, and that you, not Oreck, assume the entire risk of the quality and performance of this product, including the entire cost of any necessary servicing or repairs of any defects. Oreck's liability for damages to you for any costs whatsoever arising out of this statement of limited warranty shall be limited to the amount paid for this product at the time of original purchase, and Oreck shall not be liable for any direct, indirect, consequential or incidental damages arising out of the use or inability to use this product.

Some states do not allow the exclusion or limitation of incidental or consequential damages, so the above limitation or exclusion may not apply to you.

ALL EXPRESS AND IMPLIED WARRANTIES FOR THIS PRODUCT, INCLUDING IMPLIED WARRANTIES OF MERCHANTABILITY AND FITNESS FOR A PARTICULAR PURPOSE, ARE LIMITED IN DURATION TO THE WARRANTY PERIOD, AND NO WARRANTIES, WHETHER EXPRESS OR IMPLIED, WILL APPLY AFTER THIS PERIOD.

Some states do not allow the limitations on the duration of implied warranties, so the above limitation may not apply to you.

This warranty gives you specific legal rights, and you may also have other rights which vary from state to state.

ORECK®

ORECK CORPORATION
100 Plantation Road
New Orleans, Louisiana 70123

1-800-989-3535

www.oreck.com

PN 62749R

Free Manuals Download Website

<http://myh66.com>

<http://usermanuals.us>

<http://www.somanuals.com>

<http://www.4manuals.cc>

<http://www.manual-lib.com>

<http://www.404manual.com>

<http://www.luxmanual.com>

<http://aubethermostatmanual.com>

Golf course search by state

<http://golfingnear.com>

Email search by domain

<http://emailbydomain.com>

Auto manuals search

<http://auto.somanuals.com>

TV manuals search

<http://tv.somanuals.com>