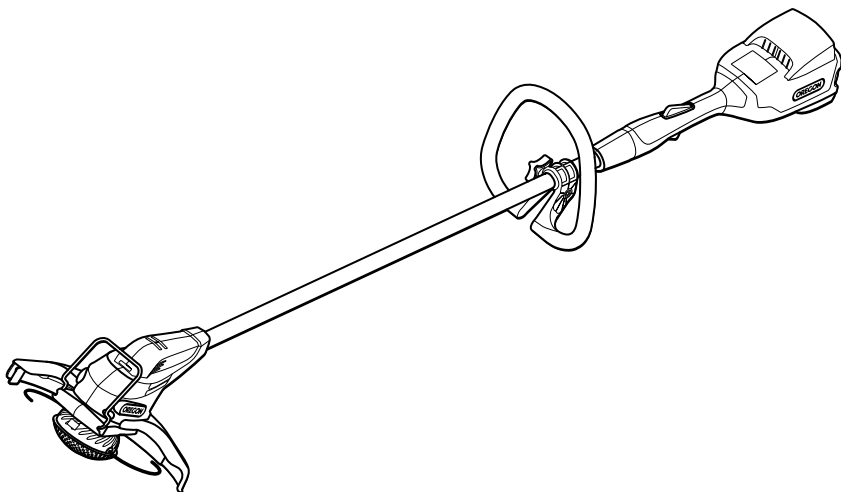




Cordless Tool System



**ORIGINAL INSTRUCTION MANUAL
TRIMMER/EDGER MODEL ST275**

**MANUEL D'UTILISATION ORIGINAL
TAILLE-BORDURE/COUPE-BORDURE
MODÈLE ST275**

**ORIGINALBEDIENUNGSANLEITUNG
RASEN-/KANTENTRIMMER
MODELL ST275**

**ORIGINAL BRUKSANVISNING
TRIMMER/KANTSKÄRARE ST275**

**ОРИГИНАЛЬНОЕ РУКОВОДСТВО ПО
ЭКСПЛУАТАЦИИ
ТРИММЕР МОДЕЛЬ ST275**

**PŮVODNÍ NÁVOD K POUŽITÍ
KŘOVINOŘEZ/ZAROVNÁVAČ
MODEL ST275**

**ORIGINAL INSTRUKTIONSMANUAL
GRÆSTRIMMER/KANTKLIPPER
MODEL ST275**

**ΑΡΧΙΚΟ ΕΓΧΕΙΡΙΔΙΟ ΧΡΗΣΗΣ
ΧΟΡΤΟΚΟΠΤΙΚΟ/ΚΟΦΤΗΣ ΑΚΡΩΝ ST275**

**MANUAL DE INSTRUCCIONES ORIGINAL
DESBROZADORA /CORTABORDES
MODELO ST275**

**ALKUPERÄINEN KÄYTTÖOPAS
TRIMMERI/REUNALEIKKURI
MALLI ST275**

**MANUALE DI ISTRUZIONI ORIGINALE
DECESPUGLIATORE/TAGLIABORDI
MODELLO ST275**

**ORIGINELE HANDLEIDING
TRIMMER/KANTENSNIJDER
MODEL ST275**

**ORIGINAL INSTRUKSJONSBOK
GRESSTRIMMER MODELL ST275**

**ORYGINALNA INSTRUKCJA OBSŁUGI
PODKASZARKA/KRAWĘDZIARKA
MODEL ST275**

**MANUAL DE INSTRUÇÕES ORIGINAL
APARADOR/BORDEADOR
MODELO ST275**

**MANUAL DE INSTRUȚIUNI ORIGINAL
TRIMMER PENTRU GAZON ȘI MARGINE
MODEL ST275**

**PŮVODNÝ NÁVOD NA POUŽITIE
KROVINOREZ/VYŽÍNAČ - MODEL ST275**

**ОРИГІНАЛЬНА ІНСТРУКЦІЯ — ПОСІБНИК
ТРИМЕР/ПІДРІВНЮВАЧ,
МОДЕЛЬ ST275**



ENGLISH 6

▲ WARNING: READ AND UNDERSTAND ALL SAFETY WARNINGS AND ALL INSTRUCTIONS. FAILURE TO FOLLOW THE WARNINGS AND INSTRUCTIONS MAY RESULT IN ELECTRIC SHOCK, FIRE AND/OR SERIOUS INJURY. SAVE ALL WARNINGS AND INSTRUCTIONS FOR FUTURE REFERENCE.

This instruction manual contains translations of a manual drafted in English and are provided to assist those who do not speak English as their first language. Being a technical writing, some terms may not have a like or equivalent meaning as translated. Therefore, you should not rely on this translation, and should cross-reference the English version, where relying on the translated instructions could result in harm to your person or property.

FRANÇAIS 34

▲ AVERTISSEMENT : PRENEZ CONNAISSANCE DE TOUS LES AVERTISSEMENTS ET CONSIGNES DE SÉCURITÉ. L'INOBSERVATION DE CES AVERTISSEMENTS ET CONSIGNES COMPORTE DES RISQUES D'ÉLECTROCUTION, D'INCENDIE ET/OU DE LÉSIONS GRAVES. RANGEZ CES CONSIGNES ET AVERTISSEMENTS EN LIEU SÛR AFIN DE POUVOIR LES CONSULTER ULTÉRIEUREMENT.

Ce manuel d'utilisation contient plusieurs traductions d'un document rédigé en anglais. Ces traductions visent à aider les utilisateurs dont l'anglais n'est pas la langue maternelle. Comme il s'agit d'un document technique, certains termes sont susceptibles de prendre une signification différente après traduction. Par conséquent, vous ne devez pas vous fier aveuglément à cette traduction. Reportez-vous à la version anglaise si vous percevez que le respect des consignes traduites pourrait occasionner des dommages matériels ou des lésions corporelles.

DEUTSCH 62

▲ WARNHINWEIS: SIE MÜSSEN DIE SICHERHEITSWARNUNGEN UND ANWEISUNGEN SORGFÄLTIG LESEN UND VERSTEHEN. NICHTBEACHTUNG DER WARNUNGEN UND ANWEISUNGEN KÖNNTE ZU STROMSCHLÄGEN, FEUER SOWIE SCHWEREN VERLETZUNGEN FÜHREN. BEWAHREN SIE SÄMTLICHE WARNUNGEN UND ANWEISUNGEN ZUM NACHLESEN ZU EINEM SPÄTEREN ZEITPUNKT AUF.

Diese Bedienungsanleitung wurde aus dem Englischen übersetzt und soll jenen als Hilfe dienen, deren Muttersprache nicht Englisch ist. Da es sich um eine technische Beschreibung handelt, könnte es sein, dass für einige Begriffe keine genau entsprechende oder gleichwertige Übersetzung besteht. Daher sollten Sie sich nicht ausschließlich auf diese Übersetzung verlassen und auch die englische Version zu Rate ziehen, wenn Sie oder Ihr Eigentum aufgrund einer möglicherweise ungenauen Übersetzung Schaden nehmen könnten.

SVENSKA 90

▲ VARNING: LÄS OCH FÖRSTÅ ALLA SÄKERHETSVARNINGAR OCH ALLA ANVISNINGAR. UNDERLÅTENHET ATT FÖLJA VARNINGARNA OCH ANVISNINGAR KAN LEDA TILL ELSTÖTAR, BRAND OCH/ELLER ALLVARLIGA PERSONSKADOR. SPARA ALLA VARNINGAR OCH ANVISNINGAR FÖR FRAMTIDA BRUK.

Denna bruksanvisning innehåller översättningar av en manual som författats på engelska och tillhandahålls för att underlätta för dem som inte har engelska som deras första språk. Eftersom detta är ett tekniskt dokument kanske vissa begrepp inte har en likadan lydelse eller motsvarighet när de översätts. Du ska därför inte lita på denna översättning och ska göra korshänvisningar till den engelska versionen eftersom att förlita sig på de översatta anvisningarna skulle kunna leda till personskador eller saksador.

РУССКИЙ 118
















▲ ОСТОРОЖНО: ПРОЧИТАЙТЕ И УЯСНИТЕ ВСЕ ПРЕДУПРЕЖДЕНИЯ БЕЗОПАСНОСТИ И ИНСТРУКЦИИ. НЕВЫПОЛНЕНИЕ ПРЕДУПРЕЖДЕНИЙ ИЛИ ИНСТРУКЦИЙ МОЖЕТ ПРИВЕСТИ К ПОРАЖЕНИЮ ЭЛЕКТРИЧЕСКИМ ТОКОМ, ПОЖАРУ И/ИЛИ СЕРЬЕЗНЫМ ТРАВМАМ. СОХРАНИТЕ ВСЕ ПРЕДУПРЕЖДЕНИЯ И ИНСТРУКЦИИ, ЧТОБЫ ОБРАЩАТЬСЯ К НИМ В ДАЛЬНЕЙШЕМ.

TABLE OF CONTENTS

SYMBOLS AND LABELS	7
TRIMMER/EDGER NAMES AND TERMS	8
PRODUCT IDENTIFICATION	9
SAFETY RULES	10
GENERAL POWER TOOL SAFETY WARNINGS	10
WORK AREA SAFETY	10
ELECTRICAL SAFETY	10
PERSONAL SAFETY	11
POWER TOOL USE AND CARE	12
BATTERY TOOL USE AND CARE	12
SERVICE	12
TRIMMER/EDGER SAFETY WARNINGS	13
STORAGE, TRANSPORTING, AND DISPOSAL	13
BATTERY SAFETY	14
CHARGER SAFETY	15
UNPACKING AND ASSEMBLY	16
UNPACKING	16
ASSEMBLY	16
OPERATING THE TRIMMER/EDGER	18
BATTERY PACK AND CHARGER	18
GENERAL OPERATION	20
TRIMMING	21
EDGING	22
MAINTENANCE AND CLEANING	23
TRIMMER/EDGER	23
REPLACING TRIMMER LINE	24
DISASSEMBLING THE TRIMMER HEAD	25
REASSEMBLING THE TRIMMER HEAD	25
REMOVING AND REPLACING THE TRIMMER HEAD	26
SHARPENING THE LINE CUTTING BLADE	27
CORRECTING GRASS BIND	28
BATTERY PACK	28
CHARGER	28
TROUBLESHOOTING	29
SPECIFICATIONS AND COMPONENTS	31
WARRANTY AND SERVICE	32
EC - DECLARATION OF CONFORMITY	33
CUSTOMER SERVICE BY COUNTRY	510

SYMBOLS AND LABELS

These symbols and labels appear on the trimmer/edger, battery, and charger.

SYMBOL	NAME	EXPLANATION
	CLASS II CONSTRUCTION	DESIGNATED DOUBLE INSULATED CONSTRUCTION TOOLS
	SAFETY ALERT SYMBOL	INDICATES THAT THE TEXT THAT FOLLOWS EXPLAINS A DANGER, WARNING, OR CAUTION.
	READ INSTRUCTIONS	THE ORIGINAL INSTRUCTION MANUAL CONTAINS IMPORTANT SAFETY AND OPERATING INFORMATION. READ AND FOLLOW THE INSTRUCTIONS CAREFULLY.
	WEAR EYE PROTECTION	WEAR EYE PROTECTION WHEN OPERATING THE TRIMMER/EDGER.
	WEAR HEARING PROTECTION	WEAR HEARING PROTECTION WHEN OPERATING THE TRIMMER/EDGER.
	WEAR LONG PANTS	WEAR LONG PANTS WHEN OPERATING THE TRIMMER/EDGER.
	WEAR FOOT PROTECTION	WEAR APPROPRIATE CLOSED-TOE WORK BOOTS WHEN OPERATING THE TRIMMER/EDGER.
	NO CUTTING BLADE	DO NOT INSTALL METAL OR PLASTIC CUTTING BLADES.
	SOUND POWER	SOUND POWER LEVEL IS 90 DB.
	DO NOT INCINERATE	DO NOT DISPOSE IN FLAMES.
	DO NOT DISPOSE	DO NOT THROW IN THE HOUSEHOLD WASTE. TAKE TO AN AUTHORISED RECYCLER.
	DO NOT EXPOSE TO RAIN	DO NOT OPERATE THE CHARGER IN WET CONDITIONS.
	INDOOR USE ONLY	INTENDED FOR INDOOR USE ONLY.
	OPERATING TEMPERATURE	ONLY USE THE BATTERY PACK AT A TEMPERATURE BETWEEN 0°C AND 40°C (32°F TO 104°F).
	REMOVE BATTERY	REMOVE THE BATTERY BEFORE PERFORMING ANY MAINTENANCE.

TRIMMER/EDGER NAMES AND TERMS

Adjustment knob: The knob on the spool that is rotated to load the trimmer line.

Bystander safety zone: A 6 m (20 ft) circle around the operator that must remain free from tripping hazards, bystanders, children, and pets.

Cutting speed: The trimmer/edger has a variable cutting speed. Press the throttle trigger more firmly for faster cutting speed. To get the most cutting time out of each charge, use only the minimum cutting speed necessary to cut the material.

Edging: The process of using the trimmer/edger to maintain a clean line between lawn and sidewalk, pavement, flower bed, or other object.

Edging guide: The metal component extending from the trimmer that helps control the position of the trimmer head during edging.

Front handle: The support handle toward the middle of the shaft.

Grass wrap protector: The plastic cover between the trimmer head and the guard that helps prevent grass bind.

Guard: The barrier between the trimmer head and the operator.

Line cutting blade: The blade on the bottom of the guard that limits the length of the trimmer line.

Motor housing: The plastic cover at the end of the shaft that holds the guard and trimmer head.

Powerhead: The assembly at the end of the shaft holding the battery pack.

Rear handle: The support handle, located at or toward the rear of the trimmer/edger, where the throttle trigger is located.

Shaft: The long portion between the powerhead and the motor housing.

Spindle: The part protruding from the motor housing that connects the trimmer head to the trimmer/edger.

Spool: The part of the trimmer head that holds the trimmer line.

Throttle trigger: A device that controls the speed of the head.

Trimmer head: The rotating assembly at the end of the shaft, below the guard.

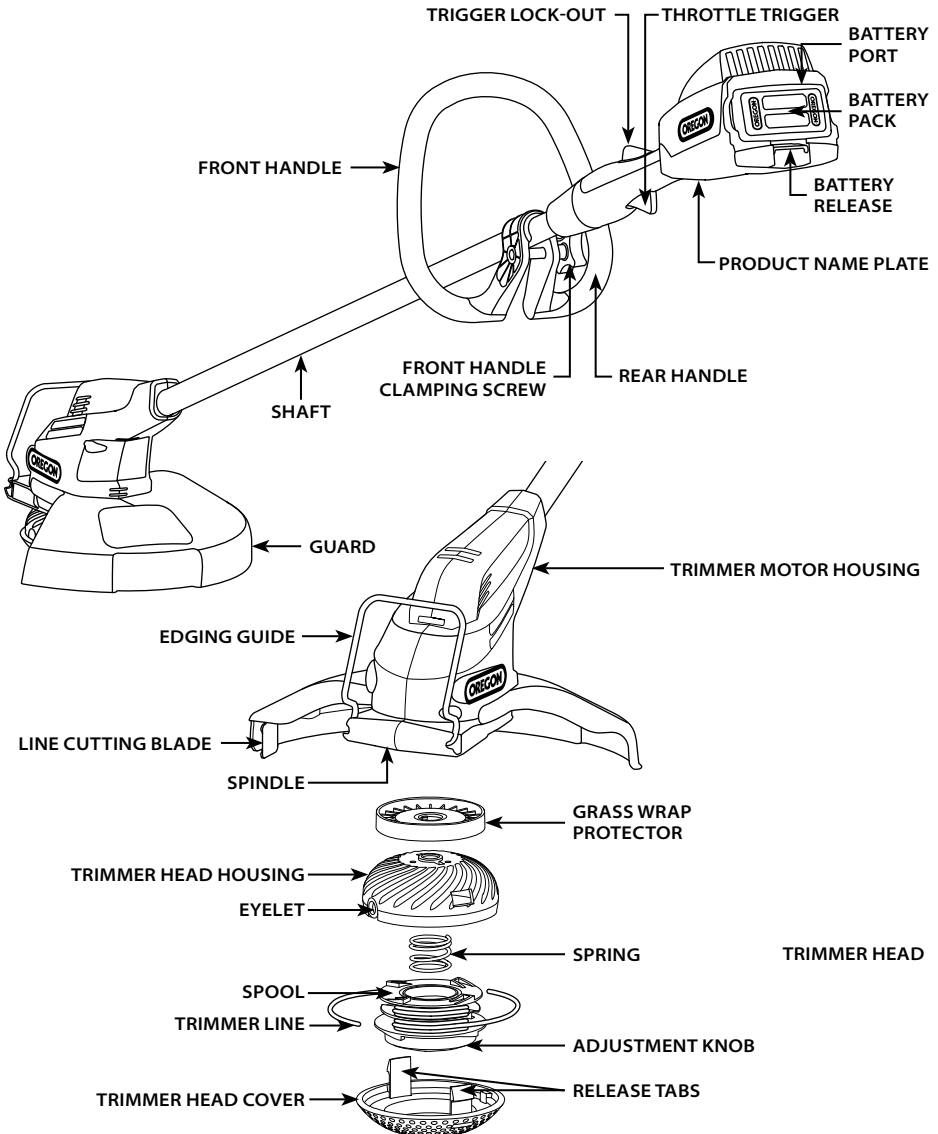
Trimming: The process of using the trimmer/edger to cut grass or weeds to a manageable height.

Trigger lock-out: A movable stop that prevents the unintentional activation of the trimmer/edger until manually actuated.

Wear parts: Parts such as the trimmer head and trimmer line that wear during use and can be replaced by the user.

PRODUCT IDENTIFICATION

KNOW THE TRIMMER/EDGER



⚠ DANGER: USE OF BLADE ATTACHMENTS ON THE TRIMMER/EDGER MAY RESULT IN SERIOUS PERSONAL INJURY. DO NOT ATTACH METAL OR PLASTIC CUTTING BLADES TO THE TRIMMER/EDGER. USE NYLON TRIMMER LINE ONLY.



NOTE: See "Unpacking" for a list of included items.

INTRODUCTION

This trimmer/edger is designed for regular maintenance trimming of grass and weeds using flexible nylon trimmer line. It is not designed to clear heavy brush or for use with any metal cutting attachments. Any other use other than stated is not recommended. This product has been designed in accordance with the state of the art safety technology of the time. However, even with this technology, it is recognised that residual risk, such as thrown objects, still exist. The operator is directed to closely read, understand, and follow all safety precautions to reduce potential injury from these risks.

SAFETY RULES

GENERAL POWER TOOL SAFETY WARNINGS

⚠ WARNING: READ AND UNDERSTAND ALL SAFETY WARNINGS AND ALL INSTRUCTIONS. FAILURE TO FOLLOW THE WARNINGS AND INSTRUCTIONS MAY RESULT IN ELECTRIC SHOCK, FIRE AND/OR SERIOUS INJURY.



SAVE ALL WARNINGS AND INSTRUCTIONS FOR FUTURE REFERENCE. THE TERM "POWER TOOL" IN THE WARNINGS REFERS TO YOUR MAINS-OPERATED (CORDED) POWER TOOL OR BATTERY OPERATED (CORDLESS) POWER TOOL.

WORK AREA SAFETY

- Keep work area clean and well lit. *Cluttered or dark areas invite accidents.*
- Do not operate power tools in explosive atmospheres, such as in the presence of flammable liquids, gases or dust. *Power tools create sparks which may ignite the dust or fumes.*
- Keep children and bystanders away while operating a power tool. *Distractions can cause you to lose control.*

⚠ CAUTION: ESTABLISH A BYSTANDER SAFETY ZONE OF 6 M (20 FT) PRIOR TO OPERATION OF THIS EQUIPMENT. *Bystander safety zone is a 6 m (20 ft) circle around the operator that must remain free from bystanders, children, and pets.*

ELECTRICAL SAFETY

- Power tool plugs must match the outlet. Never modify the plug in any way. Do not use any adapter plugs with earthed (grounded) power tools. *Unmodified plugs and matching outlets will reduce risk of electric shock.*
- Avoid body contact with earthed or grounded surfaces such as pipes, radiators, ranges and refrigerators. *There is an increased risk of electric shock if your body is earthed or grounded.*
- Do not expose power tools to rain or wet conditions. *Water entering a power tool will increase the risk of electric shock.*
- Do not abuse the cord. Never use the cord for carrying, pulling or unplugging the power tool. Keep cord away from heat, oil, sharp edges or moving parts. *Damaged or entangled cords increase the risk of electric shock.*
- When operating a power tool outdoors, use an extension cord suitable for outdoor use. *Use of a cord suitable for outdoor use reduces the risk of electric shock.*

- **If operating a power tool in a damp location is unavoidable, use a residual current device (RCD) protected supply or ground fault circuit interrupter (GFCI).** *Use of a RCD (GFCI) reduces the risk of electric shock.*
- **Hold the power tool by insulated gripping surfaces only, because the trimmer may contact hidden wiring.** *Power tools contacting a "live" wire may make exposed metal parts of the power tool "live" and could give the operator an electric shock.*
- **Do not overreach. Keep proper footing and balance at all times.** *This enables better control of the power tool in unexpected situations.*
- **Dress properly. Do not wear loose clothing or jewellery. Keep your hair, clothing and gloves away from moving parts.** *Loose clothes, jewellery or long hair can be caught in moving parts.*

PERSONAL SAFETY

- **Stay alert, watch what you are doing and use common sense when operating a power tool. Do not use a power tool while you are tired or under the influence of drugs, alcohol or medication.** *A moment of inattention while operating power tools may result in serious personal injury.*
- **Use personal protective equipment. Always wear eye protection.** *Protective equipment such as dust mask, non-skid safety shoes, hard hat, or hearing protection used for appropriate conditions will reduce personal injuries.*
- **Use personal protective equipment. Always wear long pants and foot protection.**
- **Prevent unintentional starting. Ensure the switch is in the off-position before connecting to power source and/or battery pack, picking up or carrying the tool.** *Carrying power tools with your finger on the switch or energising power tools that have the switch on invites accidents.*
- **Remove any adjusting key or wrench before turning the power tool on.** *A wrench or a key left attached to a rotating part of the power tool may result in personal injury.*
- **If devices are provided for the connection of dust extraction and collection facilities, ensure these are connected and properly used.** *Use of dust collection can reduce dust-related hazards.*
- **Prolonged use of power tools has been reported to cause vascular, muscular, or neurological disorders (such as vibration white finger or Raynaud's syndrome).** *To reduce the risk of injury, follow these instructions:*
 - *Wear gloves and keep hands and body warm.*
 - *Maintain a firm grip on the trimmer/edger, but do not use prolonged, excessive pressure.*
 - *Take frequent breaks.*

The vibration in normal use can differ from the values stated in the "Specifications and Components" table depending on the material being cut, maintenance of the cutting system, and other factors.

POWER TOOL USE AND CARE

- **Do not force the power tool. Use the correct power tool for your application.**
The correct power tool will do the job better and safer at the rate for which it was designed.
- **Do not use the power tool if the switch does not turn it on and off.**
Any power tool that cannot be controlled with the switch is dangerous and must be repaired.
- **Disconnect the plug from the power source and/or the battery pack from the power tool before making any adjustments, changing accessories, or storing power tools.**
Such preventive safety measures reduce the risk of starting the power tool accidentally.
- **Store idle power tools out of the reach of children and do not allow persons unfamiliar with the power tool or these instructions to operate the power tool.**
Power tools are dangerous in the hands of untrained users.
- **Maintain power tools. Check for misalignment or binding of moving parts, breakage of parts and any other condition that may affect the power tool's operation. If damaged, have the power tool repaired before use.**
Many accidents are caused by poorly maintained power tools.
- **Keep cutting tools sharp and clean.**
Properly maintained cutting tools with sharp cutting edges are less likely to bind and are easier to control.
- **Use the power tool, accessories and tool bits etc. in accordance with these instructions, taking into account the working conditions and the work to be performed.** *Use of the power tool for operations different from those intended could result in a hazardous situation.*

BATTERY TOOL USE AND CARE

- **Recharge only with the charger specified by the manufacturer.**
A charger that is suitable for one type of battery pack may create a risk of fire when used with another battery pack.
- **Use power tools only with specifically designated battery packs.**
Use of any other battery packs may create a risk of injury and fire.
- **When battery pack is not in use, keep it away from other metal objects, like paper clips, coins, keys, nails, screws or other small metal objects, that can make a connection from one terminal to another.** *Shorting the battery terminals together may cause burns or a fire.*
- **Under abusive conditions, liquid may be ejected from the battery; avoid contact.** *If contact accidentally occurs, flush with water. If liquid contacts eyes, additionally seek medical help. Liquid ejected from the battery may cause irritation or burns.*

SERVICE

Have your power tool serviced by a qualified repair person using only identical replacement parts. This will ensure that the safety of the power tool is maintained.

TRIMMER/EDGER SAFETY WARNINGS



⚠ WARNING: CONTACT WITH MOVING TRIMMER LINE CAN CAUSE SERIOUS PERSONAL INJURY. AVOID CONTACT WITH THE ROTATING TRIMMER LINE.

⚠ WARNING: THE USE OF THE TRIMMER/EDGER WITHOUT THE PROPER GUARD OR HANDLE PROVIDED MAY RESULT IN SERIOUS PERSONAL INJURY. ONLY USE WITH HANDLE AND GUARD PROPERLY ASSEMBLED TO TRIMMER/EDGER.

⚠ CAUTION: CONTACT WITH MOVING PARTS CAN CAUSE INJURY. AVOID CONTACT WITH THE ROTATING TRIMMER HEAD.

⚠ CAUTION: THE LINE CUTTING BLADE ON BOTTOM OF THE GUARD IS SHARP. DO NOT GRASP THE LINE CUTTING BLADE WHEN PICKING UP OR HOLDING THE TRIMMER/EDGER.

Other than the wear parts identified in this manual, the trimmer/edger has no user serviceable parts. Service and repair work require special training. See "Warranty and service" for contact information.

STORAGE, TRANSPORTING, AND DISPOSAL

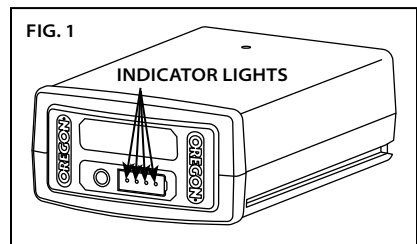
STORING THE TRIMMER/EDGER

- Remove the battery pack from the trimmer/edger.
- Clean the trimmer/edger thoroughly.
- Store in a dry place.
- Keep out of reach of children or pets.

STORING THE BATTERY PACK

When storing the battery pack longer than nine months, follow these guidelines:

- Remove the battery pack from the trimmer/edger or charger.
- Store in a cool, dry place.
- Keep out of reach of children or pets.
- To prolong battery life, never store battery packs in a completely discharged condition (with no indicator lights lit) (Fig. 1).



- Store at a temperature between -20°C and 30°C (-4°F to 86°F).



STORING THE CHARGER

- Remove battery pack from the charger.
- Disconnect charger from power source.
- Store in a dry place.
- Keep out of reach of children or pets.

See "Maintenance and Cleaning" for more information.

TRANSPORTING THE TRIMMER/EDGER

Prepare the trimmer/edger as described in "Storage, Transporting and Disposal" before shipping.

TRANSPORTING THE BATTERY PACK

Observe national regulations when shipping lithium ion batteries. Special package labelling may be required.

TRIMMER/EDGER AND CHARGER DISPOSAL

This OREGON® product is designed and manufactured with high quality materials and components which can be recycled and reused. Upon product end-of-life, and according to Directive 2002/95/EC, the electrical appliance should be disposed of separately from household waste. In the European Union, there are separate collection systems for used electrical and electronic products. Please dispose of this equipment in an environmentally correct manner at a local community waste collection/recycling centre.

BATTERY PACK DISPOSAL

Do not dispose of battery pack in normal household waste. Do not incinerate battery pack. Local waste management and recycling agencies have information on proper disposal or recycling according to environmental regulations.

**BATTERY SAFETY**

⚠ WARNING: IMPROPER BATTERY CARE CAN CAUSE THE BATTERY TO LEAK HAZARDOUS CHEMICALS, OVERHEAT, EMIT SMOKE, BURST, FLARE, EXPLODE, AND/OR IGNITE. FOLLOW THESE SAFETY RULES.

⚠ CAUTION: DO NOT DISPOSE OF THE BATTERY PACK IN THE HOUSEHOLD WASTE OR FIRE. LITHIUM ION BATTERY PACKS SHOULD BE RECYCLED BY A LOCAL AUTHORISED RECYCLER.

IMPORTANT: EXPOSURE TO EXCESSIVE HEAT CAN CAUSE A LOSS IN PERFORMANCE AND/OR SERVICE LIFE. DO NOT EXPOSE BATTERY PACK TO EXCESSIVE HEAT, SUCH AS THE INTERIOR OF A VEHICLE IN HOT WEATHER.

- Do not attempt to recharge a non-rechargeable battery pack.
- Do not disassemble or modify the battery pack. This can damage safety features.
- Do not connect the positive (+) and negative (-) terminals with metal objects or store the battery pack with metal objects such as coins or screws. This can cause short-circuiting and generate enough heat to cause burns.
- Do not incinerate the battery pack or expose to excessive heat. This can melt insulation or damage safety features.
- Do not use, charge, or store near heat higher than 80°C (176°F). This can cause overheating and internal short-circuiting.
- Do not expose to extremely wet conditions. This can damage safety features, cause extremely high current and voltage charging, and lead to abnormal chemical reactions.

- Use only the charger specifically designed for the battery pack, and follow the safety precautions described in “Charger Safety”. Using another charger can damage safety features, cause extremely high current and voltage charging, and lead to abnormal chemical reactions.
- Do not use OREGON® branded battery packs in non-OREGON® branded tools.
- Do not strike, pierce, or throw the battery pack, and do not use a damaged or deformed battery pack.
- If recharging fails, do not attempt to recharge.
- If the battery pack gives off an odour, generates heat, or is discoloured, deformed, or abnormal in any way during use, recharging, or storage, immediately remove from the trimmer/edger or charger.
- Any liquid leaking from the battery is corrosive, can damage eyes and skin, and may be toxic if swallowed.

CHARGER SAFETY

IMPORTANT SAFETY INSTRUCTIONS

⚠ WARNING: RISK OF ELECTRIC SHOCK. WHEN USED OUTDOORS, INSTALL ONLY TO A COVERED “CLASS A” GFCI PROTECTED RECEPTACLE THAT IS WEATHERPROOF WITH THE POWER UNIT CONNECTED TO THE RECEPTACLE. IF ONE IS NOT PROVIDED, CONTACT A QUALIFIED ELECTRICIAN FOR PROPER INSTALLATION. ENSURE THAT THE POWER UNIT AND CORD DO NOT INTERFERE WITH COMPLETELY CLOSING THE RECEPTACLE COVER.

IMPORTANT: THIS APPLIANCE IS NOT INTENDED FOR USE BY PERSONS (INCLUDING CHILDREN) WITH REDUCED PHYSICAL, SENSORY OR MENTAL CAPABILITIES, OR LACK OF KNOWLEDGE, UNLESS THEY HAVE BEEN GIVEN SUPERVISION OR INSTRUCTION BY A PERSON RESPONSIBLE FOR THEIR SAFETY. CHILDREN SHOULD BE SUPERVISED TO ENSURE THAT THEY DO NOT PLAY WITH THE APPLIANCES.

IMPORTANT: USE THIS CHARGER ONLY WITH THE SUPPLIED POWER CORD, MAKING SURE THAT THE INPUT PLUG CORRECTLY MATES TO THE OUTPUT RECEPTACLE.

When using electrical products, basic precautions should always be practised including the following:

- **Read and follow all safety instructions before use.** *Read and follow all instructions that are on the product or provided with the product.*
- **Save these instructions.**
- **Do not use an extension cord.**
- **Damaged or entangled cords increase the risk of electric shock.** *Do not abuse the cord. Never use the cord for carrying, pulling or unplugging the power tool. Keep cord away from heat, oil, sharp edges or moving parts.*
- **Do not expose the charger to rain.** *For indoor use only.*
- **Do not use within 3 m (10 feet) of a pool.**
- **Do not use in a bathroom.**

UNPACKING AND ASSEMBLY

UNPACKING

WHAT'S IN THE BOX?

The trimmer/edger requires some assembly before use. These items ship with the trimmer/edger:

- Trimmer/Edger
- Front handle
- Front handle adjustment knob
- Guard
- Charger and power cord (if so equipped)
- Battery (if so equipped)

After removing the trimmer/edger from the box, inspect it carefully to ensure no damage has occurred during shipping and that no parts are missing. If any parts are damaged or missing, do not use the trimmer/edger. Contact OREGON® Cordless Tool System to obtain replacement parts. For country-specific telephone numbers, see "Customer service by country."

ASSEMBLY



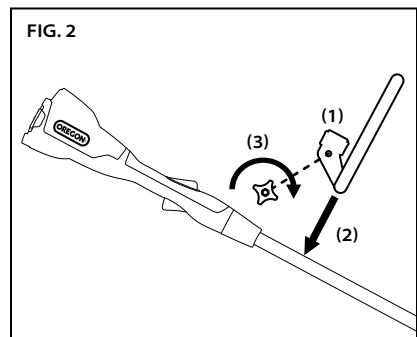
⚠ DANGER: TO AVOID SERIOUS PERSONAL INJURY, DO NOT OPERATE THE TRIMMER/EDGER WITHOUT THE FRONT HANDLE AND GUARD ATTACHED.

⚠ WARNING: A BATTERY OPERATED TOOL WITH THE BATTERY PACK INSERTED IS ALWAYS ON AND CAN START ACCIDENTALLY. REMOVE THE BATTERY PACK FROM THE TRIMMER/EDGER BEFORE ATTACHING THE GUARD AND FRONT HANDLE.

ATTACHING THE FRONT HANDLE

The front handle fits on the shaft at a comfortable distance between the rear handle and the trimmer motor housing (Fig. 2).

- Grip the front handle near the clamping point (1).
- Snap the front handle onto the shaft so that the clamp is nearest the rear handle (2).
- Insert the front handle adjustment knob through the hole on the front handle (3) and tighten.

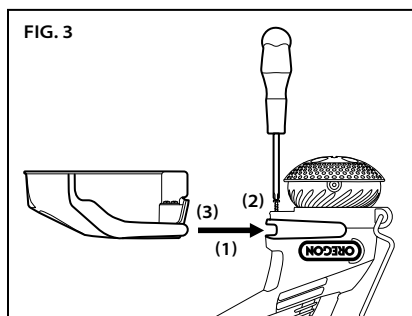


ATTACHING THE GUARD

The guard fits onto the slot on the trimmer motor housing (Fig. 3).

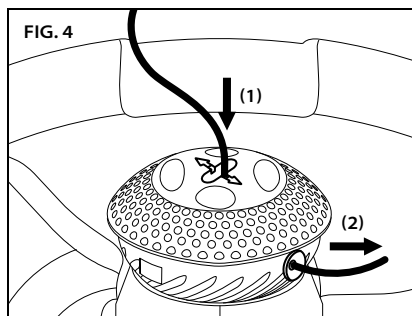
- Turn the trimmer/edger upside down.
- Slide the guard onto the trimmer until it snaps into place (1).
- Tighten the screws on the housing (2) until fully seated to hold the guard in place.
- Make sure that the line cutting blade (3) is attached to the guard to insure that the trimmer/edger functions correctly.

IMPORTANT: INSTALL THE SCREWS TO MAKE SURE THE GUARD STAYS IN PLACE.

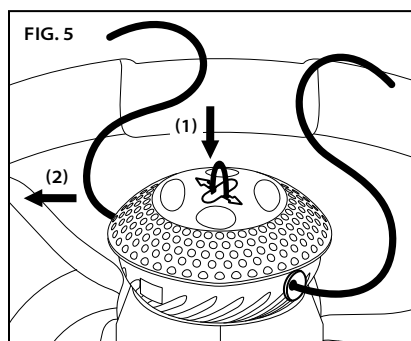


LOADING THE TRIMMER LINE FOR THE FIRST TIME

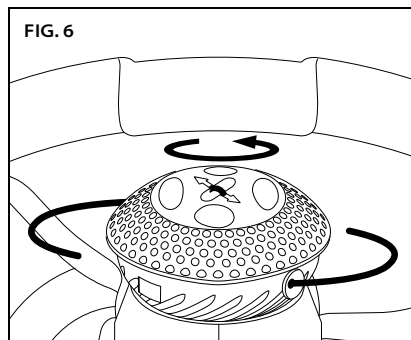
- Cut a length of new trimmer line about 3.8 m (12.5 ft) long.
- Turn the knob so the arrows point to the eyelets on the trimmer head.
- Insert trimmer line through one hole in the knob (1) and feed it through an eyelet (2) in the side of the trimmer head (Fig. 4).



- Pull the leading end of the trimmer line until the leading end and the trailing end are about the same length.
- Thread the trailing end of the trimmer line through the other hole in the knob (1). It will come out through the other eyelet in the trimmer head (2). Pull the trailing end of the trimmer line until the leading end and the trailing end are about the same length (Fig. 5).



- Hold the trimmer head with one hand and turn the knob counter-clockwise to wind the line until about 13–15 cm (5–6 in) of line protrudes from each eyelet (Fig. 6).



OPERATING THE TRIMMER/EDGER

BATTERY PACK AND CHARGER

⚠ WARNING: TO REDUCE THE RISK OF SHOCK, DO NOT CHARGE THE BATTERY PACK IN THE RAIN.

BATTERY PACK LED CHARGE-LEVEL INDICATOR

The lithium ion battery pack is equipped with an LED charge-level indicator. To test the charge level of the battery pack, press the indicator button on the battery pack's face (Fig. 7).

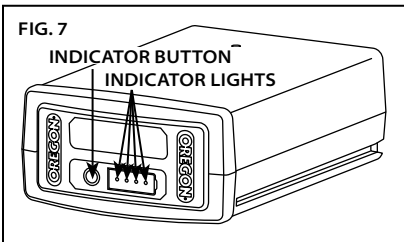
No lights: recharge.

One steady green light:
less than 25% charged.
Charge battery pack before use.

Two steady green lights:
26–50% charged.

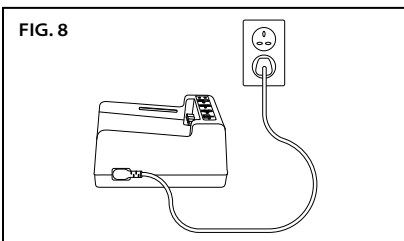
Three steady green lights:
51–75% charged.

Four steady green lights:
76–100% charged.



CONNECTING THE CHARGER

If the charger includes a separate power cord, connect the charger cord to the charger and to the proper electrical outlet (Fig. 8).



Only use the cord set that was supplied with the charger. At first use, verify that the plug type matches the receptacle.

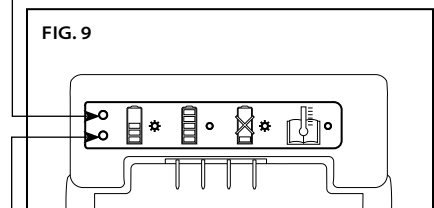
CHARGER LED CHARGE-STATE INDICATOR

The battery charger is equipped with an LED charge-state indicator that indicates the state of charging as well as conditions that may delay or prevent charging (Fig. 9).

Note: Until a battery pack is inserted, no lights will be visible.

Blinking orange light: a fault condition exists. There are several potential causes. See "Troubleshooting" in this manual.

Steady orange light: the battery pack temperature is beyond the acceptable range (0°C/32°F to 40°C/104°F). Allow the battery pack to reach the acceptable temperature range before charging. The pack may be left on the charger as the temperature adjusts. Charging will begin when the proper temperature is reached.



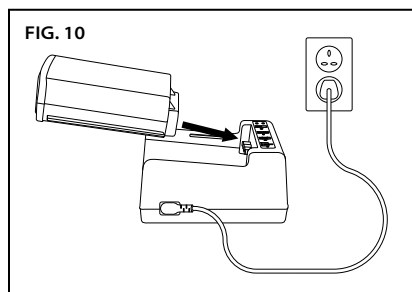
Blinking green light: battery pack is charging.

Steady green light: battery pack is ready for use.

CHARGING THE BATTERY PACK

⚠ WARNING: FAILURE TO FOLLOW PROPER CHARGING PROCEDURES MAY CAUSE EXCESSIVE VOLTAGE, EXCESSIVE CURRENT FLOW, LOSS OF CONTROL DURING CHARGING, LEAKAGE OF HAZARDOUS CHEMICALS, HEAT GENERATION, BURSTING, OR FIRE. FOLLOW THESE CHARGING INSTRUCTIONS.

With the charger cord connected to the charger and plugged into an electrical outlet, align the grooves in the battery with the rails on the charger and slide the battery pack onto the charger until fully seated (Fig. 10).

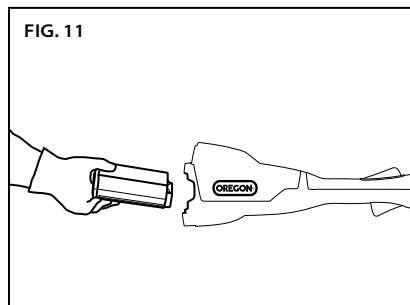


Check the charge-state indicator for charging conditions.

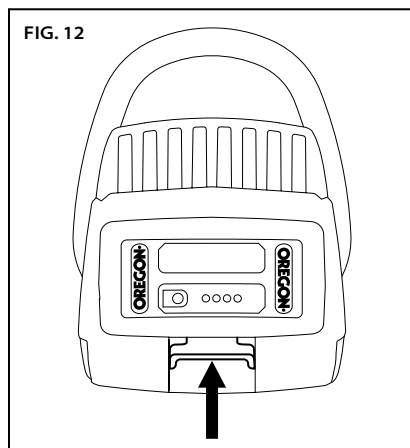
INSERTING AND RELEASING THE BATTERY PACK

Only use the OREGON® brand battery packs specified in these operating instructions.

Align the groove in the battery with the rails inside the battery port. Firmly insert the battery pack into the trimmer/edger's battery port, pressing forward until it clicks as it locks into place (Fig. 11).



To remove the battery pack, lift up on the battery release, grasp the sides of the battery pack, and remove it (Fig. 12).



GENERAL OPERATION



⚠ CAUTION: TO REDUCE THE RISK OF INJURY, ALWAYS WEAR PROPER EYE AND EAR PROTECTION, LONG PANTS, AND FOOT PROTECTION.

IMPORTANT: USE CARE AROUND STRUCTURES, TREES, AND BUSHES TO AVOID DAMAGING PAINT OR BARK.

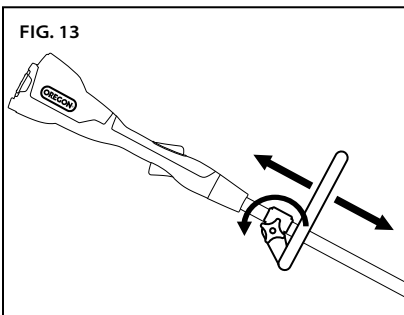
OPERATING TEMPERATURE

This trimmer/edger is designed to operate within a temperature range of 0°C to 40°C (32°F to 104°F).

GRIP

The front handle on the trimmer/edger handle is adjustable. You can move the handle forward or backward along the shaft until it is in a comfortable position for trimming, clearing, or edging.

Loosen the adjustment knob until the front handle slides along the shaft, move the handle to a comfortable position, and then tighten the adjustment knob (Fig. 13).



When using the trimmer/edger, grip both the front and rear handles firmly.

FOOTING

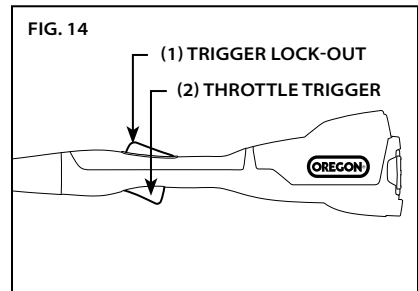
Stand or walk with both feet on solid ground. Do not overreach.

STOPPING THE TRIMMER/EDGER

Release the throttle trigger to stop the trimmer/edger.

STARTING THE TRIMMER/EDGER

Grasp the front and rear handles firmly. Squeeze the trigger lock-out (1), then squeeze the throttle trigger (2) until the trimmer head moves at the desired speed (Fig. 14).



CONTROLLING TRIMMER HEAD SPEED

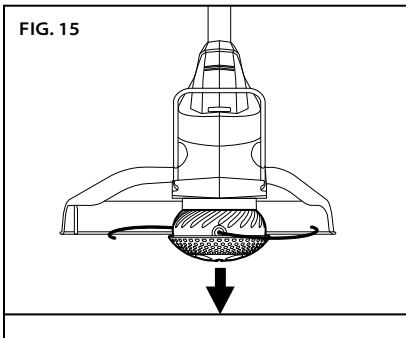
The throttle trigger controls the speed at which the trimmer head turns. Squeeze the throttle trigger more firmly for faster cutting speed.

Use the lowest pressure required to cut the material. This helps to maximise the amount of cutting time per battery charge and reduces the number of charging operations required.

ADVANCING TRIMMER LINE

The trimmer line wears down as you use the trimmer/edger. Let out more trimmer line as needed.

With the motor running and the trimmer head turning, bump the trimmer head on the ground (Fig. 15). More trimmer line comes out of the spool, and excess trimmer line is cut off by the line cutting blade on the bottom of the guard.



If the trimmer line does not come out, the spool may be empty. Turn off the trimmer/edger and replace trimmer line as described in "Replacing trimmer line".

TRIMMING



Trimming cuts grass and weeds that are close to walls, fences, and other areas too small to reach with a lawn mower, down to a manageable height but not down to soil level.

Assume proper grip and stance, then start the trimmer. Squeeze the throttle trigger until the trimmer head achieves the minimum speed necessary to cut the grass or weeds.

Angle the trimmer head slightly toward the direction of the cut (Fig. 16).



Push the trimmer head slowly from the side into the grass or weeds to be cut, and move the trimmer head back and forth so that the end of the trimmer line contacts the material to be cut.

Do not allow the trimmer line to touch the ground.

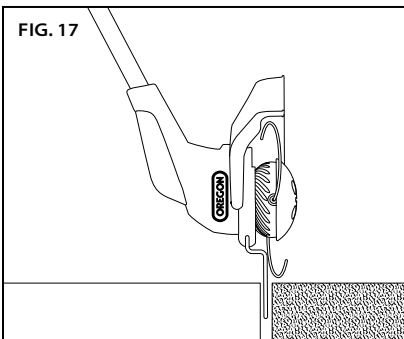
EDGING

⚠ CAUTION: TO REDUCE THE RISK OF INJURY, KEEP THE GUARD BETWEEN THE OPERATOR AND THE TRIMMER HEAD.

Edging maintains an existing border between a lawn and another object such as a sidewalk, pavement, or flower bed. The trimmer/edger is not designed for creating a new hard edge, but is useful for keeping an existing edge clean.

Keep hands away from the throttle trigger, then move the edging guard so that it extends from the trimmer and clicks into place.

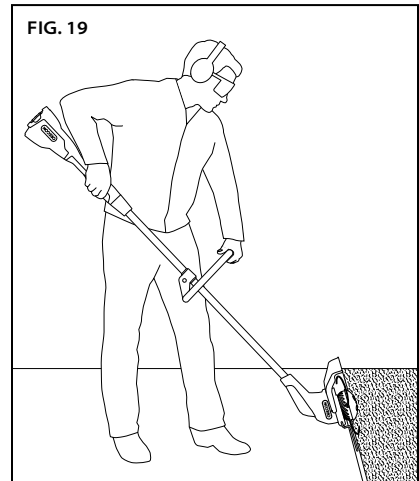
Approach the lawn with the trimmer turned so that the bottom of the trimmer head is pointed toward the side of the lawn and the edging guide is pointed toward the ground. Position the edge guide along the edge of the lawn. (Fig. 17).



In tight spaces, such as against a fence or other barrier, it is acceptable to reverse grip on the rear handle and hold the trimmer/edger in a more vertical position (Fig. 18).



For extended periods of edging, it is acceptable to rotate the front handle (Fig. 19). This may provide a more comfortable grip.



MAINTENANCE AND CLEANING

TRIMMER/EDGER



⚠ WARNING: FAILURE TO IDENTIFY AND REPLACE DAMAGED OR WORN PARTS CAN CAUSE SERIOUS PERSONAL INJURY. INSPECT THE TRIMMER/EDGER REGULARLY. REGULAR INSPECTION IS THE FIRST STEP TO PROPER MAINTENANCE. FOLLOW THE GUIDELINES BELOW TO MAXIMISE SAFETY AND SATISFACTION. HAVE ANY DAMAGED OR EXCESSIVELY WORN PARTS REPLACED IMMEDIATELY.

⚠ WARNING: A BATTERY OPERATED TOOL WITH THE BATTERY PACK INSERTED IS ALWAYS ON AND CAN START ACCIDENTALLY. REMOVE THE BATTERY PACK FROM THE TRIMMER/EDGER BEFORE INSPECTING, CLEANING, OR PERFORMING MAINTENANCE.

CAUTION: WHEN CLEANING THE TRIMMER/EDGER, DO NOT IMMERSE IN WATER OR OTHER LIQUIDS.

INSPECT THE TRIMMER HEAD

- Make sure the trimmer head is free of cracks or other damage. If it is damaged, replace it. Serious personal injury can result if a damaged trimmer head breaks during use.
- Check that the trimmer head rotates freely and that the trimmer line advances. If the trimmer head fails to rotate freely, see "Correcting grass bind".
- If the trimmer line gets stuck or is tangled, rewind the spool. See "Replacing trimmer line".
- Inspect the grass wrap protector to make sure it is not cracked, broken, or loose. If it is damaged, replace it.

INSPECT THE HANDLES

⚠ WARNING: SERIOUS PERSONAL INJURY CAN RESULT IF A DAMAGED HANDLE BREAKS DURING USE. MAKE SURE THAT BOTH THE FRONT AND REAR HANDLES ARE CLEAN, DRY, AND ARE FREE OF CRACKS OR OTHER DAMAGE.

INSPECT BATTERY PORT

Make sure the battery port is clean, dry, and free of debris. Debris in the battery port can prevent a good electrical connection between the battery pack and the trimmer/edger.

CLEAN THE TRIMMER/EDGER

- Wipe dust, leaves, and clippings from the trimmer/edger.
- Clear the air vents to ensure proper airflow and prevent overheating.
- Remove grass or weeds wound around the shaft and trimmer head.
- Wipe the trimmer motor housing with a clean cloth moistened with mild soap and water.
- Never use harsh cleaners or solvents.

IMPORTANT: KEEP THE VENTS CLEAR AND REMOVE DEBRIS WRAPPED AROUND THE TRIMMER HEAD TO HELP PREVENT OVERHEATING.

REPLACING TRIMMER LINE

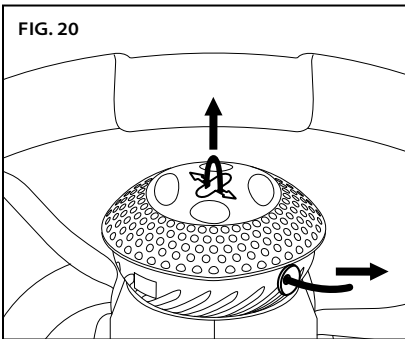
⚠ WARNING: A BATTERY OPERATED TOOL WITH THE BATTERY PACK INSERTED IS ALWAYS ON AND CAN START ACCIDENTALLY. REMOVE THE BATTERY PACK FROM THE TRIMMER/EDGER BEFORE INSPECTING, CLEANING, OR PERFORMING MAINTENANCE.

IMPORTANT: REPLACE THE TRIMMER LINE ONLY WITH THE RECOMMENDED TYPE AND SIZE. DON'T USE HEAVIER LINES, METAL WIRES OR METAL ROPES.

The trimmer/edger is equipped with an easy reload trimmer head. It is not necessary to disassemble the head in order to replenish the trimmer line.

REMOVE REMAINING TRIMMER LINE

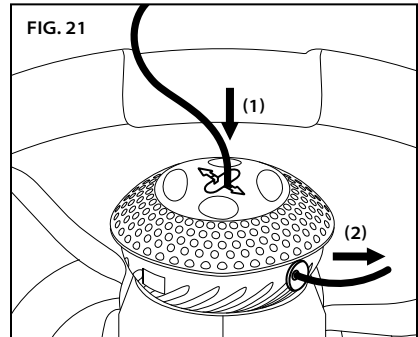
Remove the battery, then pull any remaining trimmer line through an eyelet or from the top of the adjustment knob (Fig. 20).



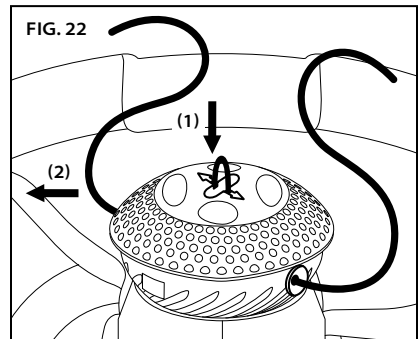
THREAD TRIMMER LINE INTO THE TRIMMER HEAD

- Cut a length of new trimmer line about 3.8 m (12.5 ft) long.
- Turn the knob so the arrows point to the eyelets on the trimmer head.

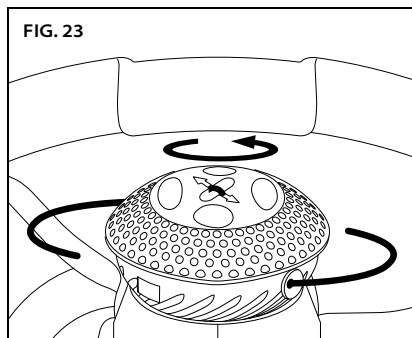
- Insert trimmer line through one hole in the knob (1) and feed it through an eyelet (2) in the side of the trimmer head (Fig. 21).



- Pull the leading end of the trimmer line until the leading end and the trailing end are about the same length.
- Thread the trailing end of the trimmer line through the other hole in the knob (1). It will come out through the other eyelet in the trimmer head (2). Pull the trailing end of the trimmer line until the leading end and the trailing end are about the same length (Fig. 22).



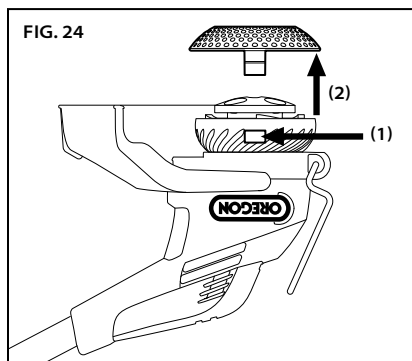
- Hold the trimmer head with one hand and turn the knob counter-clockwise to wind the line until about 13–15 cm (5–6 in) of line protrudes from each eyelet (Fig. 23).



DISASSEMBLING THE TRIMMER HEAD

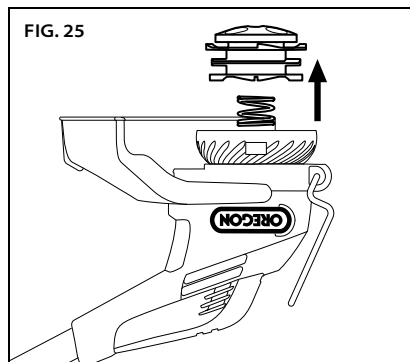
If it is difficult to replenish the trimmer line, or the line does not feed, it may be bound within the trimmer head. It may be necessary to disassemble the trimmer head.

- Remove the battery, then place the trimmer/edger upside down (Fig. 24).
- Press the tabs (1) on the sides of the trimmer head.
- Lift the cover and remove it from the trimmer head (2).



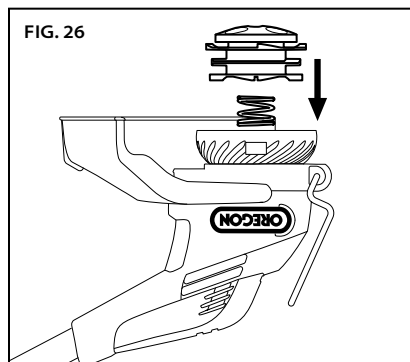
- Remove the spool and the spring (Fig. 25).

IMPORTANT: THE SPRING IS UNDER TENSION; BE CAREFUL NOT TO LOSE THE SPRING WHEN REMOVING THE SPOOL.

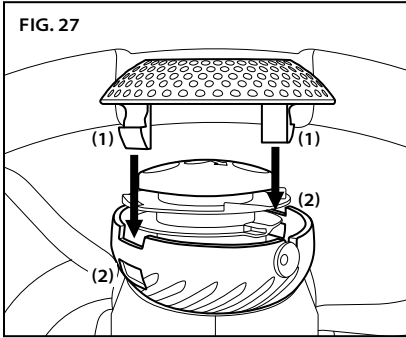


REASSEMBLING THE TRIMMER HEAD

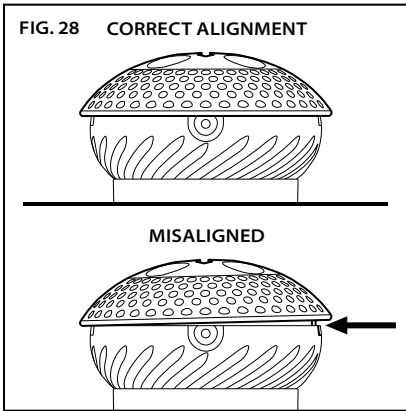
- Remove any trimmer line remaining on the spool and discard.
- Remove clippings, dirt, and debris from the spool and cover, then put the spring into the recess in the bottom of the trimmer head and press the spool onto the trimmer head housing (Fig. 26).



- Line up the tabs on the cover (1) with the slots in the trimmer head (2), and press the cover onto the trimmer head until both tabs click into place. (Fig. 27).



IMPORTANT: MAKE SURE BOTH TABS ARE IN POSITION AND THAT THE COVER IS LEVEL AND WELL-SEATED. IT MAY BE NECESSARY TO SQUEEZE THE SIDES OF THE TRIMMER HEAD IN ORDER FOR THE TABS TO CLICK INTO PLACE (FIG. 28).

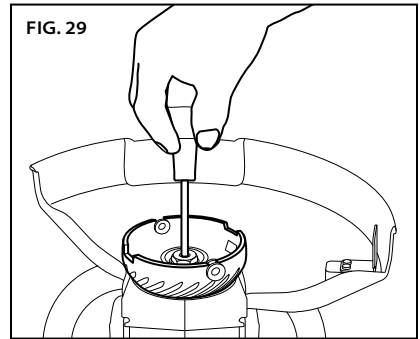


- Turn the trimmer head by hand and make sure the cover rotates evenly. If it rotates unevenly, remove and replace the cover so it is level with the rest of the trimmer housing.
- Load trimmer line as described in "Replacing trimmer line".

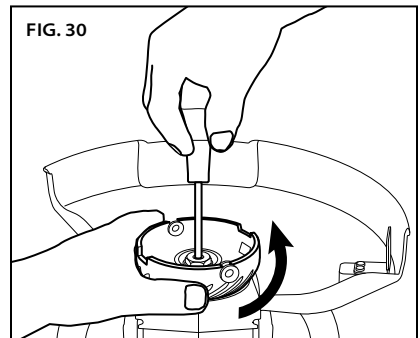
REMOVING AND REPLACING THE TRIMMER HEAD

If the trimmer head is cracked or broken, it should be removed and replaced with a new one. Also, if there is buildup of clippings between the trimmer head and the guard, it is easier to clean them if the trimmer head is removed first.

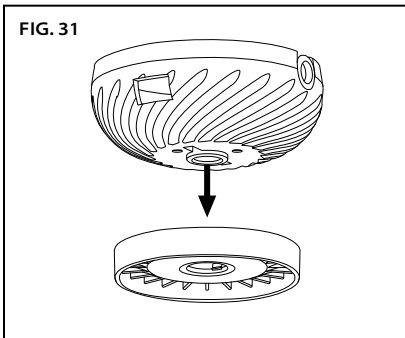
- Remove the battery, then disassemble the trimmer head as described in "Disassembling the trimmer head".
- Insert a standard screwdriver into the slot on the spindle to hold it in place (Fig. 29).



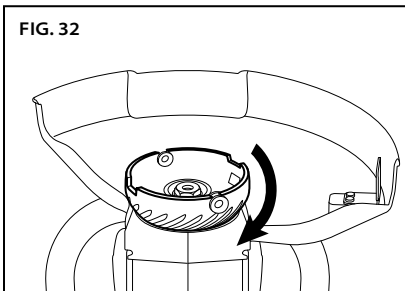
- Hold the screwdriver steady to prevent the spindle from turning, then turn the trimmer head counter-clockwise until it comes off of the spindle, then remove the screwdriver (Fig. 30).



- Remove the grass wrap protector from the trimmer head (Fig. 31).



- Insert the new grass wrap protector.
- Remove the cover and the spool from the new trimmer head, as described in "Disassembling the trimmer head".
- Place the new trimmer head, without the spool and cover, onto the spindle and turn clockwise two or three turns to start threading the trimmer head onto the spindle (Fig. 32).



- Insert the screwdriver into the slot on the spindle.
- Hold the screwdriver steady to prevent the spindle from turning, then turn the trimmer head clockwise until it is hand tight.
- Reassemble the trimmer head as described in "Reassembling the trimmer head".
- Load trimmer line as described in "Replacing trimmer line".

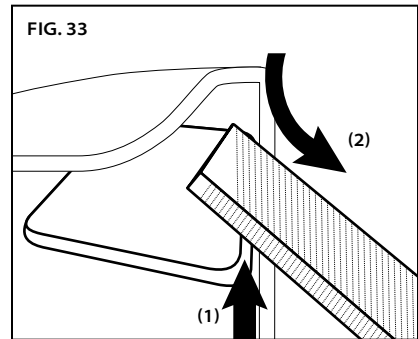
SHARPENING THE LINE CUTTING BLADE

It is recommended that an OREGON® Service Dealer sharpen the line cutting blade, but it can also be sharpened by the operator.

Line cutting blade sharpening requires a flat file.

After collecting the file, wear gloves and eye protection and remove the battery.

- Lay the trimmer on its side with the line cutting blade on top and face the bottom of the trimmer head (Fig. 33).
- Place the file against the cutting edge of the line cutting blade (1).
- Push the file down and to the right, removing material from the cutting edge (2).



- Repeat until the line cutting blade is sharp.

CORRECTING GRASS BIND

⚠ CAUTION: A BATTERY OPERATED TOOL WITH THE BATTERY PACK INSERTED IS ALWAYS ON AND CAN START ACCIDENTALLY. ALWAYS REMOVE THE BATTERY BEFORE CORRECTING GRASS BIND TO AVOID ACCIDENTAL ACTIVATION OF THE TRIMMER HEAD.

Certain types and lengths of grass can sometimes be caught between the trimmer head and the spindle. When this happens, the grass quickly winds around the shaft clogging the space between the shaft and the trimmer head and slowing or stopping the trimmer head rotation. This condition is called grass bind. The trimmer/edger is equipped with a grass wrap protector shroud between the trimmer head and the spindle to help minimize grass bind, but the condition can still occasionally occur.

To correct grass bind:

- Remove the battery.
- Remove the trimmer head.
- Clean all grass or weeds from the spindle. If necessary, cut the grass or weeds free.
- Once the spindle is cleared, replace the trimmer head.

BATTERY PACK

⚠ WARNING: THERE ARE NO USER SERVICEABLE PARTS INSIDE THE BATTERY PACK. DO NOT DISASSEMBLE.

Lithium ion batteries have a finite operating life. If the amount of cutting time per charge decreases noticeably, the battery pack is at the end of its useful life and should be replaced.

- Make sure the battery pack, including the contacts, is clean, dry, and has no signs of puncture, impact, or other damage. Broken batteries can cause fires or emit hazardous chemicals.
- Clean dirty contacts with a soft, dry cloth. Dirt or oil can cause a poor electrical connection resulting in loss of power.

CHARGER

- Unplug the charger from the electrical outlet.
- Clean dirty contacts with a soft, dry cloth.

TROUBLESHOOTING

Use this table to see possible solutions for possible problems with the trimmer/edger. If these suggestions do not solve the problem, see "Warranty and service".

SYMPTOM	POSSIBLE CAUSE	RECOMMENDED ACTIONS
Motor does not run or runs intermittently	Battery discharged	Recharge. See "Battery pack and charger".
	Trigger lock-out not pressed	Press the trigger lock-out before squeezing the throttle trigger. See "General operation".
	Battery pack not fully inserted	Press the battery pack into the battery port until it clicks into place.
	Battery contacts dirty	Remove the battery pack, remove debris from the battery port, and then clean the contacts with a clean, dry cloth.
	Battery pack cold	Allow the battery pack to warm to the minimum operating temperature of 0°C (32°F).
Motor runs, but trimmer head does not move	Grass wound between shaft and trimmer head	See "Correcting grass bind".
Trimmer/Edger does not cut properly	Grass wound between shaft and trimmer head	See "Correcting grass bind".
	Spool empty	See "Replacing trimmer line".
Trimmer line does not feed	Spool empty	See "Replacing trimmer line".
	Trimmer line tangled	Remove the trimmer line from the spool, untangle, and rewind. See "Replacing trimmer line". To minimise tangled line, only use trimmer line identified in "Specifications and components".
Trimmer line wears out quickly	Higher cutting speed than necessary	Apply less pressure to the throttle trigger.
	Improper cutting technique	Avoid forcing the trimmer head against hard surfaces. Slowly move the trimmer head in until the edge of the trimmer line strikes the grass or weeds.
Trimmer/Edger vibrates excessively during use	Trimmer head damaged	See "Removing and replacing the trimmer head".
	Trimmer head cover not seated properly	Remove the trimmer head cover and reinstall making sure that the tabs on the cover line up with the slots on the trimmer head. See "Reassembling the trimmer head".
	Line cutting blade is dull	See "Sharpening the line cutting blade".
End of trimmer line is frayed, ragged, or unevenly cut	Line cutting blade is dull	See "Sharpening the line cutting blade".

SYMPTOM	POSSIBLE CAUSE	RECOMMENDED ACTIONS
Battery pack does not charge	Battery pack over/under temperature protection is activated	This may occur when the trimmer/edger is run continuously or exposed to high ambient temperatures. Allow the battery pack to reach the acceptable temperature range before charging. See "Battery pack and charger".
	Dirty or damaged contacts on battery pack or charger	Inspect the contacts on both the battery pack and the charger. Clean as described in "Maintenance and cleaning", then reinsert into the charger and make sure it is fully seated.
	Battery pack is at the end of its life	All batteries have a limited life. If the battery pack is more than two years old or has been recharged frequently, it may be time to replace it. Replace only with the battery pack specified for this trimmer/edger.
	Charger faulty	Have the function checked at an approved service location.
Low cut time per battery charge	Improper cutting technique	Follow guidelines for the operation you are performing. See "Trimming" or "Edging".
	Higher cutting speed than necessary	Apply less pressure to the throttle trigger.
	Grass wound between shaft and trimmer head	See "Correcting grass bind".
	Battery pack not fully charged	See "Battery pack and charger".
Blinking orange light on charge state indicator	Charger short circuit, charger over current, over voltage limit, open circuit on battery pack, or charge/pre-charge time out error	<ol style="list-style-type: none"> 1. Make sure the charger cord is connected to both the charger and the electrical outlet. 2. Make sure the charger is receiving the correct voltage. 3. Try charging another battery pack designed for this charger. If this does not correct the problem, have the function checked at an approved service location.

SPECIFICATIONS AND COMPONENTS

REPLACEMENT COMPONENTS		PART NUMBER	
TRIMMER LINE EU/UK 2.0 mm BIOTRIM+™	15 m (50 ft)	566846	
	126 m (413 ft)	566847	
	377 m (1237 ft)	566848	
TRIMMER LINE AU/NZ PLATINUM GATORLINE .080" GAUGE	1/2 lb donut ≈ 207 ft	20-117	
	1 lb donut ≈ 414 ft	20-118	
	3 lb spool ≈ 1,244 ft	20-119	
BATTERY PACK, MODEL B400E		548206	
CHARGER WITH CORD, MODEL C600		EU - 554933 UK - 554872 AU/NZ - 560663	
RAPID CHARGER WITH CORD, MODEL C750		EU - 558697 UK - 558698 AU/NZ - 558699	
CHARGER, MODEL C600			
INPUT	100-240V~ 50-60Hz 60W		
INPUT (U.S. AND CANADA ONLY)	120V~ 60Hz 60W		
OUTPUT	41.5V--- 1.25A		
POWER CORD	EU P/N: 547383 UK P/N: 547384 AU/NZ P/N: 559380		
BATTERY PACK			
TYPE	LITHIUM ION		
OPERATING TEMPERATURES	0°C TO 40°C (32°F TO 104°F)		
MODEL	CAPACITY, NOMINAL	VOLTAGE, NOMINAL	C600 CHARGE TIME (APPROX.)
B600E	4.00 Ah / 144 Wh	+36 VDC	210 MINUTES
B400E	2.40 Ah / 89 Wh	+37 VDC	120 MINUTES
B500S	1.25 Ah / 47 Wh	+37 VDC	60 MINUTES
TRIMMER/EDGER			
SWATH DIAMETER	320 mm (13 in)		
MAX LINE GAUGE	2.4 mm (.095 in) Recommend 2.0 mm (.080 in)		
WEIGHT WITH B600E	4.3 kg (9.4 lb)		
WEIGHT WITH B400E	4.3 kg (9.4 lb)		
WEIGHT WITH B500S	3.8 kg (8.4 lb)		
NO LOAD CUTTING SPEED	6250 RPM		
SOUND POWER	90 dB L _{WA} (K, 0.18 dB)		
VIBRATION	.95 m/s ² (K, .11 m/s ²)		

WARRANTY AND SERVICE

WARRANTY

Blount, Inc. warrants all registered OREGON® Cordless Tools, Battery Packs, and Chargers for a period of two (2) years from original date of purchase, and one (1) year if used for commercial purposes. This limited warranty applies to the OREGON® Cordless Tool System manufactured products. During the warranty period, Blount will replace or, at its option, repair for the original purchaser only, free of charge, any product or part which is found upon examination by Blount to be defective in material and/or workmanship. The purchaser shall be responsible for all transportation charges and any cost of removing any part submitted for replacement under this warranty.

To register your product, visit the "support" section of OregonCordless.com.

KEEP ORIGINAL RECEIPT

Please attach original receipt from initial purchase to this manual and file. For warranty service, please bring product and receipt to the dealer where product was purchased. Or contact us via information provided in "Customer Service by Country."

SERVICE AND SUPPORT INFORMATION

Visit us on the web at **OregonCordless.com** for service centre information, or contact our customer service department for assistance, additional technical advice, repair, replacement parts, or to register the product. For country-specific telephone numbers, see "Customer service by country".

For safety, use only genuine factory replacement parts on the pole saw. Our service centre is staffed with trained personnel to efficiently provide support and assistance with adjustment, repair, or replacement of all OREGON® Cordless Tool System products.

EC - DECLARATION OF CONFORMITY

Blount International Inc. 4909 SE International Way, Portland Oregon, 97222 USA

DECLARES THAT THE FOLLOWING PRODUCT(S):

Battery Powered Trimmer/Edger Brand: **OREGON®**

Model: **ST275**

ARE COMPLIANT TO THE FOLLOWING EUROPEAN DIRECTIVES AND STANDARDS:

EC DIRECTIVES:

MACHINERY DIRECTIVE 2006/42/EC

EMV 2004/108/EG

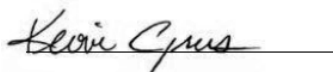
EMC DIRECTIVE 2004/108/EC

NOISE DIRECTIVE 2000/14/EG

VIBRATION DIRECTIVE 2002/44/EC

CORPORATE REPRESENTATIVE:

EUROPEAN TECHNICAL FILE CONTACT:



Kevin Cyrus
Manager – Product Safety & Compliance
Blount International Inc.
Portland OR 97222 USA

Mr. Marnix Kuypers
Blount International-Europe-S. A.
Rue Emile Francqui, 5
B 1435 Mont-Saint-Guibert
Belgium

DATE/PLACE:

1 July 2013 Portland OR

CUSTOMER SERVICE BY COUNTRY

COUNTRY	PHONE	EMAIL ADDRESS
France	0-800 913086	Info.FR@OregonCordless.com
Germany	0800-180-2167	Info.DE@OregonCordless.com
UK	0-800-098-8536	Info.UK@OregonCordless.com
Sweden	020-100230	Info.SE@OregonCordless.com
Australia	1800 648 647	Info.AU@OregonCordless.com
New Zealand	0508-056868	Info.AU@OregonCordless.com
All other countries	+32 10 30 11 11	Info.EU@OregonCordless.com

Imported by

OREGON® Cordless Tool System | Blount Europe SA
Rue Emile Francqui, 5
B 1435 Mont-Saint-Guibert, Belgium
+32 10 30 11 11

Blount International Inc.
4909 Southeast International Way
Portland, OR 97222-4679
USA



OregonCordless.com

Free Manuals Download Website

<http://myh66.com>

<http://usermanuals.us>

<http://www.somanuals.com>

<http://www.4manuals.cc>

<http://www.manual-lib.com>

<http://www.404manual.com>

<http://www.luxmanual.com>

<http://aubethermostatmanual.com>

Golf course search by state

<http://golfingnear.com>

Email search by domain

<http://emailbydomain.com>

Auto manuals search

<http://auto.somanuals.com>

TV manuals search

<http://tv.somanuals.com>