



Multi-Channel In-Out Thermometer with Cable Free Sensor and RF Clock

MODEL: RMR182

USER'S MANUAL

INTRODUCTION

Congratulations on your purchase of the RMR182 Multi-Channel In-Out Thermometer with 433MHz cable free sensor and radio-controlled calendar clock.

The basic package comes with a main unit, which is the temperature and calendar clock station, and a remote unit, the thermo sensor.

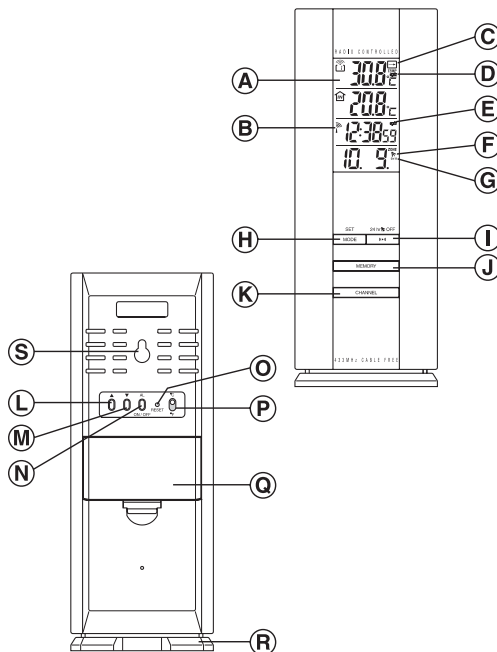
The main unit has a large display for indoor temperature, calendar clock and temperatures collected and transmitted by the remote unit. The main unit can support up to three remote units.

The main unit is capable of keeping track of the maximum and minimum temperature of different sites. No wire installation is required as the RMR182 operates at 433MHz.

As for the calendar clock, it is radio-controlled. It automatically synchronizes its current time and date when it is brought within an approximate 1500km radius of the radio signal generated from Frankfurt, Germany (DCF77).

You can also set the calendar clock manually when it is off range. Other features include four-language display, four-step crescendo dual alarms and interchangeable display modes.

MAIN FEATURES: MAIN UNIT





EN

A [FOUR-LINE LCD DISPLAY]

Facilitates easy reading of remote and indoor temperatures and calendar clock

B [] RADIO-RECEPTION SIGNAL

Indicates the condition of radio reception

C [TEMPERATURE TREND INDICATOR]

Indicates the trend of temperature changes

D [] BATTERY-LOW INDICATOR (REMOTE SENSOR)

Activates when the remote-sensor battery is low

E [] BATTERY-LOW INDICATOR

Activates when the battery is low

F [] / [] ALARM-ON ICONS

Appears when the alarm is activated

G [((1)) / ((2))] ALARM ICONS

Appears when the alarm time is displayed

H [SET/MODE] BUTTON

Toggles between display modes and confirms entry while setting the values for display

I [(())] BUTTON

Displays and sets alarm time

J [MEMORY] BUTTON

Displays maximum / minimum temperature

K [CHANNEL] BUTTON

Selects remote-sensor channels

L [▲] BUTTON

Advances the value of a setting

M [▼] BUTTON

Decreases the value of a setting

N [AL ON/OFF] BUTTON

Enables or disables the alarms

O [RESET] BUTTON

Returns all settings to default values

P °C/°F SLIDE SWITCH

Selects between degree Centigrade (°C) and Fahrenheit (°F)

Q [BATTERY COMPARTMENT]

Accommodates two (2) UM-3 or "AA" size batteries

R [REMOVABLE TABLE STAND]

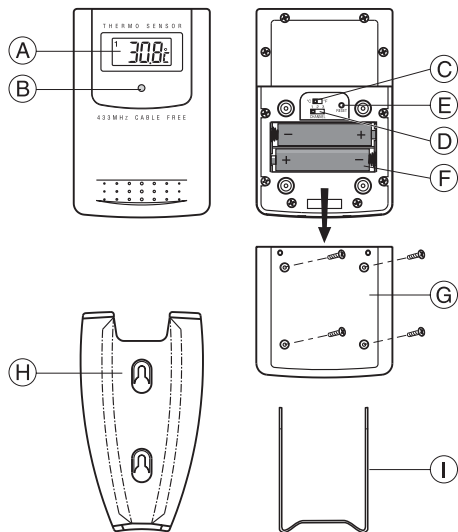
For standing the main unit on a flat surface

S [WALL-MOUNT HOLE]

For mounting the main unit on a wall



MAIN FEATURES: REMOTE UNIT



- (A) LCD DISPLAY**
Displays the current temperature monitored by the remote unit
- (B) LED INDICATOR**
Flashes when the remote unit transmits a reading
- (C) °C/°F SLIDE SWITCH**
Selects between Centigrade (°C) and Fahrenheit (°F)
- (D) CHANNEL SLIDE SWITCH**
Designates the remote unit Channel 1, Channel 2 or Channel 3
- (E) RESET BUTTON**
Returns all settings to default values
- (F) BATTERY COMPARTMENT**
Accommodates two UM-4 or “AAA” size batteries
- (G) BATTERY DOOR**
- (H) WALL-MOUNT HOLDER**
Supports the remote unit in wall-mounting
- (I) REMOVABLE TABLE STAND**
For standing the remote unit on a flat surface

BEFORE YOU BEGIN

For best operation,

1. Assign different channels to different remote units.
2. Insert batteries for remote units before doing so for the main unit.
3. Place the main unit as close as possible next to the remote unit



and reset the main unit after installing batteries. This will ensure easier synchronization between the transmission and reception of signals.

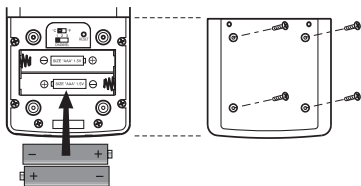
- Position the remote unit and main unit within effective transmission range, which, in usual circumstances, is 20 to 30 meters.

Note that the effective range is vastly affected by the building materials and where the main and remote units are positioned. Try various set-ups for best result.

Though the remote units are weather proof, they should be placed away from direct sunlight, rain or snow.

BATTERY AND CHANNEL INSTALLATION: REMOTE UNIT

- Remove the screws on the battery compartment.
- Select the channel number on the CHANNEL slide switch.
- Select the temperature display unit on the °C/°F slide switch.



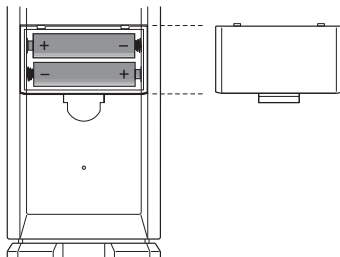
- Install 2 alkaline batteries (UM-4 or “AAA” size 1.5V) strictly according to the polarities shown.

- Replace the battery compartment door and secure its screws. Note that once a channel is assigned to a remote unit, you can only change it by removing the batteries or resetting the unit.

BATTERY INSTALLATION: MAIN UNIT

- Gently lift the tab on the battery compartment door.
- Install 2 alkaline batteries (UM-3 or “AA” size 1.5V) strictly according to the polarities shown.
- Replace the battery compartment door.

LOW BATTERY WARNING





When it is time to replace batteries, the low-battery indicator will show up when the corresponding channel is selected. The battery level of the main unit will be shown on the indoor temperature when it is running low.

HOW TO USE THE TABLE STAND OR WALL MOUNTING

The main unit has a removable table stand, which when installed, can support the unit on a flat surface. Or you can remove the stand and mount the unit on a wall using the recessed screw hole.

As for the remote unit, it comes with a wall-mount holder and a removable stand. Use either to hold the unit in place.

Main unit

Wall-mount

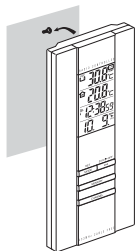
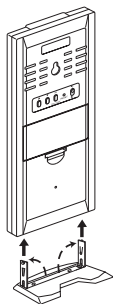


Table Stand



Remote unit

Wall-mount

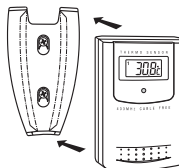
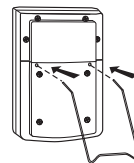


Table Stand



THE RESET BUTTON

This button is only used when the unit is operating in an unfavorable way or malfunctioning. Use a blunt stylus to hold down the button. All settings will return to their default values.

GETTING STARTED

Once batteries are in place for the remote units, they will start transmitting temperature readings at 30-second intervals.

The main unit will also start searching for signals for about a minute once batteries are installed. Upon successful reception, the individual channel temperatures will be displayed on the top line and the indoor temperature on the second line. The main unit will automatically update its readings at about 30-second intervals.

If no signals are received, blanks "----" will be displayed and the kinetic wave icon will show "□". Press [CHANNEL] and [MEMORY] simultaneously to enforce another search for about 30 seconds. This is useful in synchronizing the transmission and reception of the remote and main units.

Repeat this step whenever you find discrepancies between the reading shown on the main unit and that on the corresponding remote unit.

HOW TO CHECK REMOTE AND INDOOR TEMPERATURES




The indoor temperature is shown on the second line of the display. As for the remote sites or channels, press [CHANNEL] to go from one channel to another. The kinetic wave display on the channel number indicates if the reception of that particular channel is in good order.

If no readings are received from one particular channel blanks "---" will be displayed until further readings are successfully searched. Check if the remote unit is sound and secure. You can wait for a little while or press [CHANNEL] and [MEMORY] simultaneously to enforce an immediate search. Of course no reading will be shown if no remote unit is assigned to that channel.

If the temperature goes above or below the temperature measuring range of the main unit or the remote unit (stated in specification), the display will show "HHH" or "LLL".

TEMPERATURE TREND

The temperature trend indicator on the screen shows the trend of samplings collected at that particular remote site. Three trends, rising, steady and falling, will be shown.

Arrow indicator	 TEMP	 TEMP	 TEMP
Temperature Trend	Rising	Steady	Falling

MAXIMUM AND MINIMUM TEMPERATURES

The maximum and minimum recorded indoor temperatures and those of outdoor channels will be automatically stored in memory. To display them:

1. Select the channel to be checked.
2. Press [MEMORY] once to display the maximum temperature and again the minimum temperature. The respective indicators, **MAX** or **MIN** will be displayed.

To clear the memory, hold down [MEMORY] for two seconds. The maximum and minimum temperatures will be erased. If you press [MEMORY] now, the maximum and minimum temperatures will have the same values as the current ones until different readings are recorded.



NOTE ON °C AND °F

The unit of temperature display is selected with the °C/°F slide switch. Select °C for Centigrade or °F for Fahrenheit.

Note that the remote temperature display on the main unit is dominated by the selection on the °C/°F slide switch of the main unit. Whatever the display units of the remote sensors are, they will be automatically converted to the chosen one of the main unit.

HOW TO READ THE KINETIC WAVE DISPLAY

The kinetic wave display shows the signal receiving status of the main unit. There are three possible forms:

The unit is in searching mode.	
Temperature readings are securely registered.	
No signals.	

DISCONNECTED SIGNALS

If without obvious reasons the display for a particular channel goes blank, press [CHANNEL] and [MEMORY] to enforce an immediate search. If that fails, check:

1. The remote unit of that channel is still in place.
2. The batteries of both the remote unit and main unit. Replace as necessary.

Note: When the temperature falls below freezing point, the batteries of outdoor units will freeze, lowering their voltage supply and the effective range.

3. The transmission is within range and path is clear of obstacles and interference. Shorten the distance when necessary.

TRANSMISSION COLLISION

Signals from other household devices, such as door bells, home security systems and entry controls, may interfere with those of this product and cause temporary reception failure. This is normal and does not affect the general performance of the product. The transmission and reception of temperature readings will resume once the interference recedes.

CALENDAR CLOCK DISPLAY MODES

The RMR182 supports four display modes in the sequence of:

MODE 1.	Local Time	
	Hour, Minute, Second ----- Day, Month	
MODE 2.	Local Time	
	Hour, Minute, Weekday ----- Day, Month	
MODE 3.	Local Time / Second Time-Zone Time	
	(local time) Hour, Minute, Weekday ----- (Second time-zone time) Hour, Minute	
MODE 4.	Second Time-Zone	
	Hour, Minute, Weekday ----- Day, Month	

Each press on the [SET/MODE] button will toggle the display in the above order.

Note: The bottom line of the display will be replaced by the alarm time if the [(••)] button is pressed.

ABOUT RADIO RECEPTION

The RMR182 is designed to automatically synchronize its calendar clock once it is brought within range of the Frankfurt DCF77 radio signal.

When the RMR182 is within range, its radio-control mechanism will override all manual settings.

When the unit is receiving radio signal, the radio reception signal will start to blink. A complete reception generally takes about 2 to 10 minutes, depending on the strength of the radio signal.

When the reception is complete, the radio reception signal will stop blinking. The strength of the reception in the last hour will be indicated.

	- Strong
	- Weak
	- No Reception
	- Receiving

For better reception, place the clock away from metal objects and electrical appliances to minimize interference.



If you wish to disable the auto-reception feature, press the ▼ button for three seconds. The radio reception signal will disappear. The unit will not respond to radio signals.

To enable the feature again, press the ▲ button for three seconds. The radio reception signal will start blinking to initiate reception automatically.

HOW TO SET THE CLOCK MANUALLY

To set the clock manually, hold [SET/MODE] for three seconds. The display will return to MODE 1, with the hour digits blinking.

Use ▲ or ▼ to select the hour. Keep pressing the button will increase or decrease the value rapidly.

Press [SET/MODE] to confirm. The minute digits will blink. Repeat the same procedure to set the minutes, then the day-of-month, month, display language, weekday and offset for the second time zone.

Note that the time and date are displayed in 24-HOUR clock and DAY-MONTH format, respectively. For display language, you can choose among English (E), German (D), French (F) and Italian (I) in order. Weekday is the usual sequence of Monday through Sunday.

For the second time zone, which is indicated by the ZONE ICON, enter the hour offset using the ▲ or ▼ buttons and the RMR182 will calculate the second time accordingly. For details, please refer to the section “Time Zone And Offset Table”.

If there is an item you do not wish to change, simply press [SET/MODE] to bypass the item.

When you are done, press [SET/MODE] to exit. The display will return to the mode last chosen.

HOW TO SET AND ARM THE ALARMS

The RMR182 has two alarms, ALARM 1 and ALARM 2. They can be invoked together or independently.

To set an alarm:

1. Press [(••)] once to select ALARM 1 or again to select ALARM 2. The last selected time of the alarm will be displayed. If you have never set the alarm before, the time will be displayed as 0:00.
2. Press [(••)] for three seconds. The hour digits will blink.
3. Enter the hour using ▲ or ▼.
4. Press [(••)]. The minute digits will blink.
5. Enter the minutes using ▲ or ▼.
6. Press [(••)] to exit.

The alarm ON icon [▶] for the alarm chosen will be displayed indicating the alarm set above is now armed.

You can also arm or disarm an alarm by pressing the [AL ON/OFF] button.

HOW TO STOP AN ALARM

To stop an alarm from ringing on the same day, press [(••)] or [AL ON/OFF] once. Note that the alarm is still armed and will go off at the set time the following day.

To deactivate the alarm function completely, press [AL ON/OFF] a second time.



EN

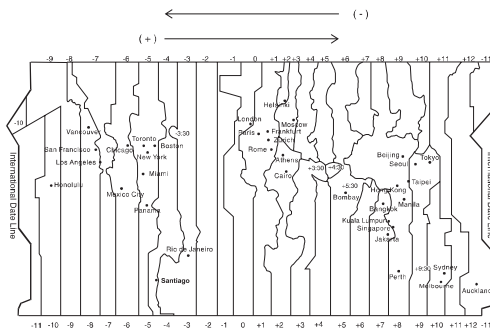
When the alarm goes off the sound which will gradually increase in volume and repeating speed will be turned on for about 2 minutes unless the [(••)] or [AL ON/OFF] button is pressed to mute the alarm.

PRECAUTIONS

This product is engineered to give you years of satisfactory service if you handle it carefully. Here are a few precautions:

1. Do not immerse the unit in water.
2. Do not clean the unit with abrasive or corrosive materials. They may scratch the plastic parts and corrode the electronic circuit.
3. Do not subject the unit to excessive force, shock, dust, temperature or humidity, which may result in malfunction, shorter electronic life span, damaged battery and distorted parts.
4. Do not tamper with the unit's internal components. Doing so will invalidate the warranty on the unit and may cause unnecessary damage. The unit contains no user-serviceable parts.
5. Only use fresh batteries as specified in the user's manual. Do not mix new and old batteries as the old ones may leak.
6. Always read the user's manual thoroughly before operating the unit.

TIME ZONE AND OFFSET TABLE





SPECIFICATIONS

Temperature Measurement

Main unit

Indoor Temperature measurement

Displayed IN temperature range : -9.9°C to +70.0°C
14.2°F to 158.0°F

Proposed operating range : -5.0°C to +50.0°C
23.0°F to 122.0°F

Temperature resolution : 0.1°C
0.2°F

Remote Temperature measurement

Displayed OUT temperature range : -50.0°C to +70.0°C
-58.0°F to 158.0°F

Remote unit

Displayed range : -50.0°C to +70.0°C
-58.0°F to 158.0°F

Proposed operating range : -20.0°C to +60.0°C
-4.0°F to 140.0°F

Temperature resolution : 0.1°C
0.2°F

RF Transmission Frequency : 433 MHz

No. of Remote unit : Maximum of 3

RF Transmission Range : Maximum 30 meters

Temperature sensing cycle : around 30 seconds

Radio Controlled Clock

Maintime set and synchronized by Radio Signal DCF77 for Continental Central Europe

24 h display with hh : mm ss

Date Format : Day, Month.

Weekday selectable in 4 language (E, D, F, I)

Second time zone with date and weekday

2-minute crescendo alarm

Power

Main unit : use 2 pcs UM-3 or “AA”
1.5V alkaline batteries

Remote sensing unit : use 2 pcs UM-4 or “AAA”
1.5V alkaline batteries

Weight

Main unit : 172 gm (without battery)

Remote sensing unit : 82 gm (without battery)

Dimension

Main unit : 190(L)x75(W)x21(T)mm

Remote sensing unit : 92(L)x60(W)x21(T) mm



CAUTION

- The content of this manual is subject to change without further notice.
- Due to printing limitation, the displays shown in this manual may differ from the actual display.
- The manufacturer and its suppliers held no responsibility to you or any other claim arising by using this product.
- The contents of this manual may not be reproduced without the permission of the manufacturer.

ABOUT OREGON SCIENTIFIC

Visit our website (www.oregonscientific.com) to learn more about Oregon Scientific products such as digital cameras; MP3 players; children's electronic learning products and games; projection clocks; health and fitness gear; weather stations; and digital and conference phones. The website also includes contact information for our customer care department in case you need to reach us, as well as frequently asked questions and customer downloads.

We hope you will find all the information you need on our website, however if you'd like to contact the Oregon Scientific Customer Care department directly, please visit www2.oregonscientific.com/service/support

OR

Call 949-608-2848 in the US.

For international enquiries, please visit www2.oregonscientific.com/about/international/default.asp.



EC-DECLARATION OF CONFORMITY

This product contains the approved transmitter module that complies with the essential requirements of Article 3 of the R&TTE 1999 / 5 / EC Directive, if used as intended and the following standards have been applied:

Safety of information technology equipment

(Article 3.1.a of the R&TTE Directive)

Applied Standard **EN 60950: 2000**

Electromagnetic compatibility

(Article 3.1.b of the R&TTE Directive)

Applied Standards

ETSI EN 301 489-1-3 (Ver.1.4.1) : 2002-08

Efficient use of radio frequency spectrum

(Article 3.2 of the R&TTE Directive)

Applied Standards

ETSI EN 300 220-3 (Ver1.1.1) : 2000-09

Additional information:

The product herewith complies with the requirements of the Low Voltage Directive 73 / 23 / EC, the EMC Directive 89 / 336 / EC and carries the CE marking accordingly.

Carmelo Cubito

Agrate Brianza (MI) / Italy January 2004

Manufacturer's EU R&TTE Representative



COUNTRIES RTTE APPROVAL COMPLIED

All EC countries, Switzerland (CH)

and Norway (N)



© 2004 Oregon Scientific. All rights reserved.

086-002217-141





**Multi-Channel In-Out Thermometer
with Cable Free Sensor and RF Clock
Model : RMR182
User Manual**

Free Manuals Download Website

<http://myh66.com>

<http://usermanuals.us>

<http://www.somanuals.com>

<http://www.4manuals.cc>

<http://www.manual-lib.com>

<http://www.404manual.com>

<http://www.luxmanual.com>

<http://aubethermostatmanual.com>

Golf course search by state

<http://golfingnear.com>

Email search by domain

<http://emailbydomain.com>

Auto manuals search

<http://auto.somanuals.com>

TV manuals search

<http://tv.somanuals.com>