



Wireless Indoor / Outdoor Thermometer with Indoor Humidity and Self-Setting Atomic Clock

Model: RMR683HGA

USER MANUAL

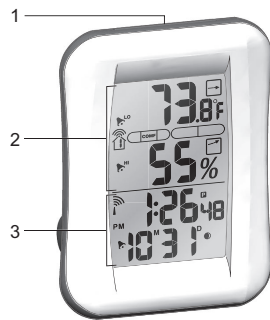
INTRODUCTION

Thank you for selecting this Oregon Scientific™ Wireless Indoor / Outdoor Thermometer with Indoor Humidity and Self-Setting Atomic clock (RMR683HGA). This clock is supplied with a remote sensor (THN132N) and can support up to 3 sensors in total (additional sensors sold separately).

NOTE Please keep this manual handy as you use your new product. It contains practical step-by-step instructions, as well as technical specifications and warnings you should know about.

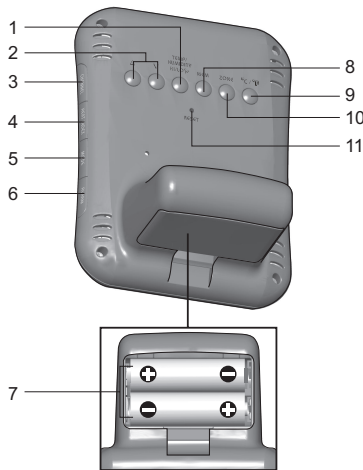
CLOCK OVERVIEW

FRONT VIEW



1. SNOOZE
2. Temperature and Humidity Area
3. Clock / Alarm Area

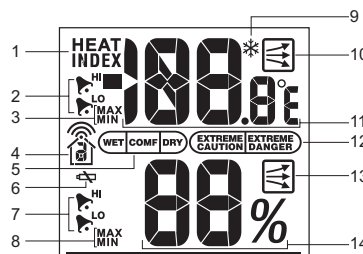
BACK VIEW



1. **TEMP / HUMIDITY HI / LO** : Change settings or enable / disable hi or lo temperature / humidity alarm
2. **▲ / ▼** : Increase / decrease setting; activate / deactivate clock reception signal
3. **CHANNEL**: Switch remote sensor display
4. **HEAT INDEX**
5. **MODE**: Change settings / display
6. **ALARM**: View alarm status; set alarm
7. Battery compartment
8. **MEM**: View current, maximum and minimum temperature / humidity
9. **°C / °F**: Select temperature unit
10. **ZONE**: Toggle US time zone
11. **RESET**: Reset unit to default settings

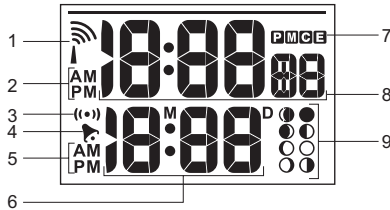
LCD DISPLAY

Temperature and Humidity area:



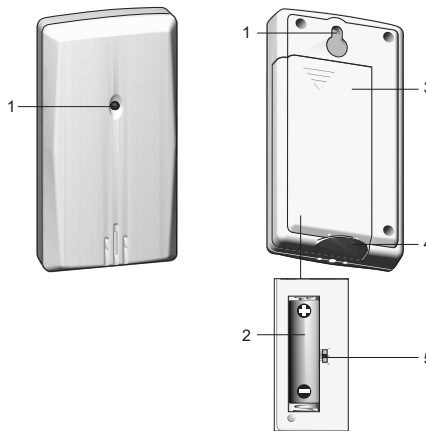
1. Heat index icon
2. Hi / lo temperature alarm
3. Max / Min temperature icon
4. Sensor reception icon
5. Comfort Zone
6. Battery low icon
7. Hi / lo humidity alarm
8. Max / Min humidity icon
9. Ice warning is active
10. Temperature trend
11. Temperature
12. Heat Index Warning
13. Humidity
14. Humidity Trend

Clock / Alarm area:



1. Clock signal reception
2. AM / PM mode selected
3. Alarm mode
4. Alarm set
5. AM / PM mode selected
6. Alarm time
7. US time zone
8. Clock
9. Moon Phase

REMOTE SENSOR (THN132N)

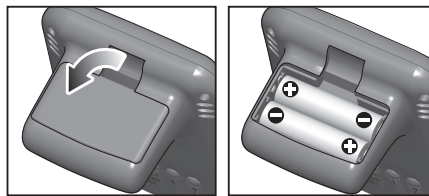


1. LED Indicator
2. Battery compartment
3. Battery door
4. Table stand
5. **CHANNEL** switch

GETTING STARTED

SETTING UP THE CLOCK

Insert batteries before first use, matching the polarity (+ and -). **RESET** after each battery change.



indicates main unit batteries are low.

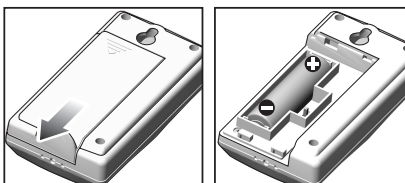
NOTE Do not use rechargeable batteries. We recommend that you use alkaline batteries with this product for longer usage and lithium batteries in temperatures below freezing.

REMOTE SENSOR

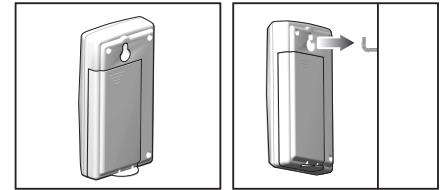
The sensor collects temperature readings approx. every 40 seconds and sends them to the main unit. The main unit can collect data from up to 3 sensors.

To set up the sensor:

1. Slide open the battery door.
2. Insert the batteries, matching the polarity (+ / -).
3. Select a channel. Make sure you use a different channel for each sensor.



4. Close the battery compartment.
5. Secure the sensor in the desired location using the wall mount or table stand.



For best results:

- Place the sensor out of direct sunlight and moisture.
- Do not place the sensor more than 30 m (100 ft) from the main (indoor) unit.
- Position the sensor so that it faces the main (indoor) unit, minimizing obstructions such as doors, walls, and furniture.
- Place the sensor in a location with a clear view to the sky, away from metallic or electronic objects.
- Position the sensor close to the main unit during cold winter months as below-freezing temperatures may affect battery performance and signal transmission.

The transmission range may vary depending on many factors. You may need to experiment with various locations to get the best results.

Standard Alkaline batteries contain significant amounts of water. Because of this they will freeze in low temperatures of approximately -12°C (10°F). Disposable Lithium batteries have a much lower threshold for temperature with an estimated freezing range of below -30°C (-22°F).

Wireless ranges can be impacted by a variety of factors such as extremely cold temperatures. Extreme cold may temporarily reduce the effective range between the sensor and the base station. If the unit's performance fails due to low temperature, the unit will resume proper functioning as the temperature rises to within the normal temperature range (i.e. no permanent damage will occur to the unit due to low temperatures).

SENSOR DATA TRANSMISSION

The sensor reception icon in the temperature and humidity area shows the status.

ICON	DESCRIPTION
	Main unit is searching for the sensor(s)
	A channel has been found and sensor signal is being received
	The sensor cannot be found. Search for the sensor or check batteries

To search for a sensor:

Simultaneously, press and hold **MEM** and **CHANNEL** for 2 seconds.

NOTE If the sensor is still not found, check the batteries, obstructions, and remote unit location.

CLOCK

CLOCK RECEPTION

This product is designed to synchronize its date and time automatically once it is within range of the WWVB-60 signal from the atomic clock in Boulder, Colorado.

The clock collects the radio signals whenever it is within 1500 km (932 miles) of a signal.

NOTE Initial reception takes 2-10 minutes for first set up or when **RESET** is pressed. Once complete, the reception icon will stop blinking. If the signal is weak, it can take up to 24 hours to get a valid signal.

RECEPTION SIGNAL

Clock signal reception indicator:

STRONG SIGNAL	WEAK SIGNAL	NO SIGNAL

To enable and force a signal search:

Press and hold **▲** for 2 seconds.

To disable the signal reception:

Press and hold **▼** for 2 seconds.

flashes when it is disabled.

SET CLOCK

To manually set the clock make sure the clock signal reception is disabled.

To manually set the clock:

1. Press and hold **MODE** for 2 seconds.
2. Press **▲** and **▼** to change the settings.
3. Press **MODE** to confirm.

Free Manuals Download Website

<http://myh66.com>

<http://usermanuals.us>

<http://www.somanuals.com>

<http://www.4manuals.cc>

<http://www.manual-lib.com>

<http://www.404manual.com>

<http://www.luxmanual.com>

<http://aubethermostatmanual.com>

Golf course search by state

<http://golfingnear.com>

Email search by domain

<http://emailbydomain.com>

Auto manuals search

<http://auto.somanuals.com>

TV manuals search

<http://tv.somanuals.com>