

QUICK START GUIDE

OREGON SCIENTIFIC WEATHER COLLECTION



You will have one of the following Oregon Scientific products:

- 100** : EMR201A **400** : BAR206A
- 200** : RMR202A **500** : BAR208HGA
- 300** : RMR203HGA **RAIN AND TEMPERATURE STATION:**
RGR202A

A UNPACK

Make sure that you have all of the parts of one of the three groups of products shown here before the installation of your Weather Collection product.

WEATHER 100-400



- 1x Main Unit
- 1x THN132N Temperature Sensor

WEATHER 500

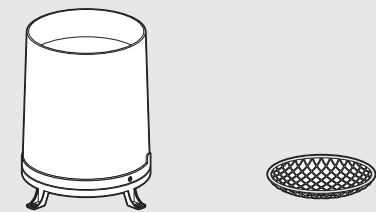


- 1x Main Unit
- 1x THGR122NR Temperature/Humidity Sensor

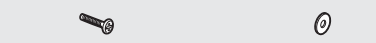
RAIN AND TEMPERATURE STATION



- 1x Main Unit
- 1x THN132N Temperature Sensor

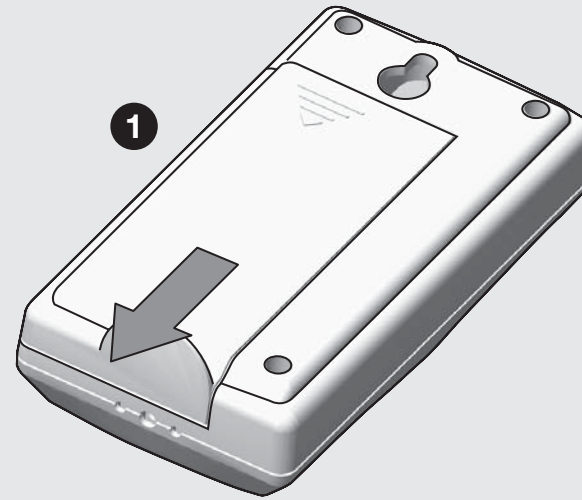


- 1x Rain Collector
- 1x Filter

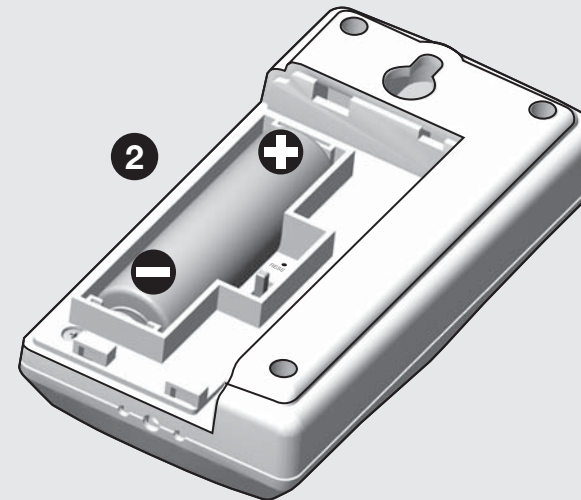


- 3x Screws (Type C)
- 6x Washers

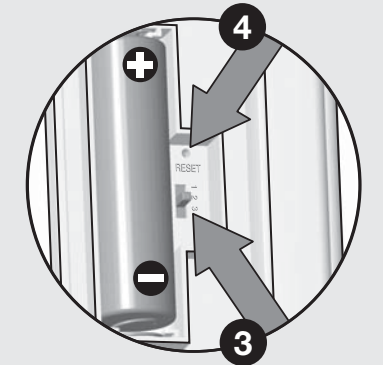
B SET-UP WIRELESS SENSOR



1 Slide open battery door



2 Install the battery, matching polarity (+/-)

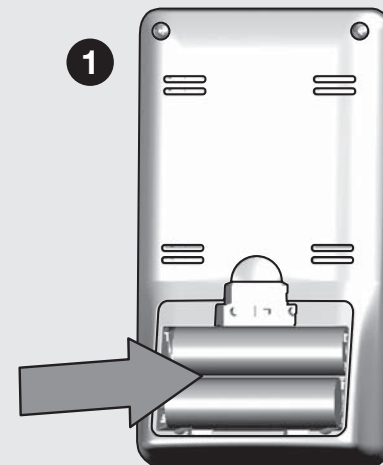


3 Assign a channel by sliding selection switch to the appropriate channel (1,2,3) location. If installing additional sensors, make sure you assign a different channel for each sensor.

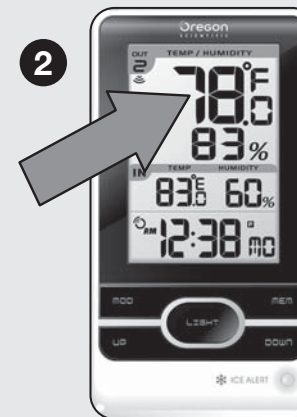
4 Press the reset button

*Before placing the sensor outdoors, please verify communication with the main unit by placing the sensor next to the base unit during this setup process.

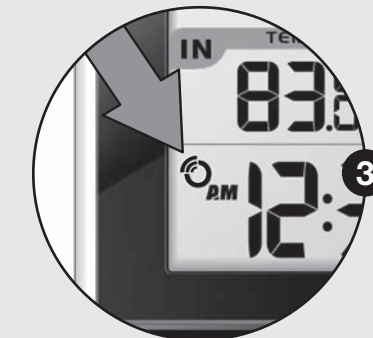
C SET-UP MAIN UNIT



1 Install the required number of batteries in the battery compartment located on the back of each main unit.



2 There are two types of signals the main unit will receive:
Temperature Signal
After installing the batteries, the main unit will automatically search for the signal from the wireless sensor. Once a temperature reading is displayed on the LCD screen, communication is now established.



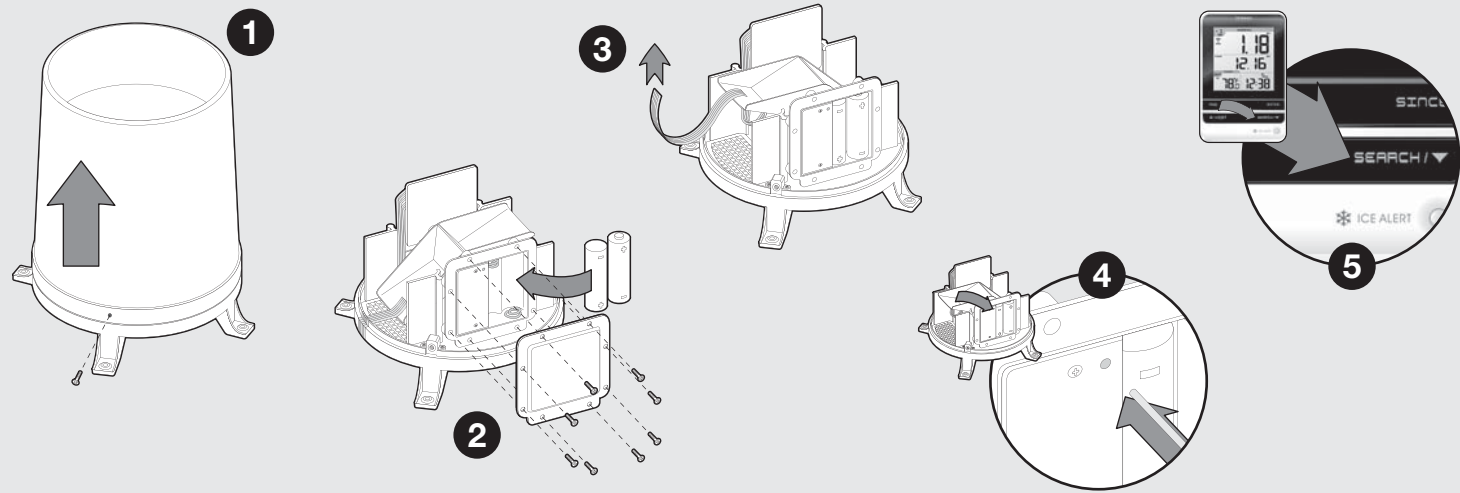
- Time is synchronized. Receiving signal is strong.
- Time is not synchronized. Receiving signal is weak.

3 **Atomic Clock Signal**
Atomic clock synchronization will automatically occur after installing the batteries. Reception takes 2-10 minutes. If the signal is weak, it can take up to 24 hours to retrieve a valid signal.

*Please monitor atomic clock icon (⌚) on the bottom part of the LCD display next to the time. This icon indicates the status of the clock reception signal.

D SET-UP RAIN GAUGE

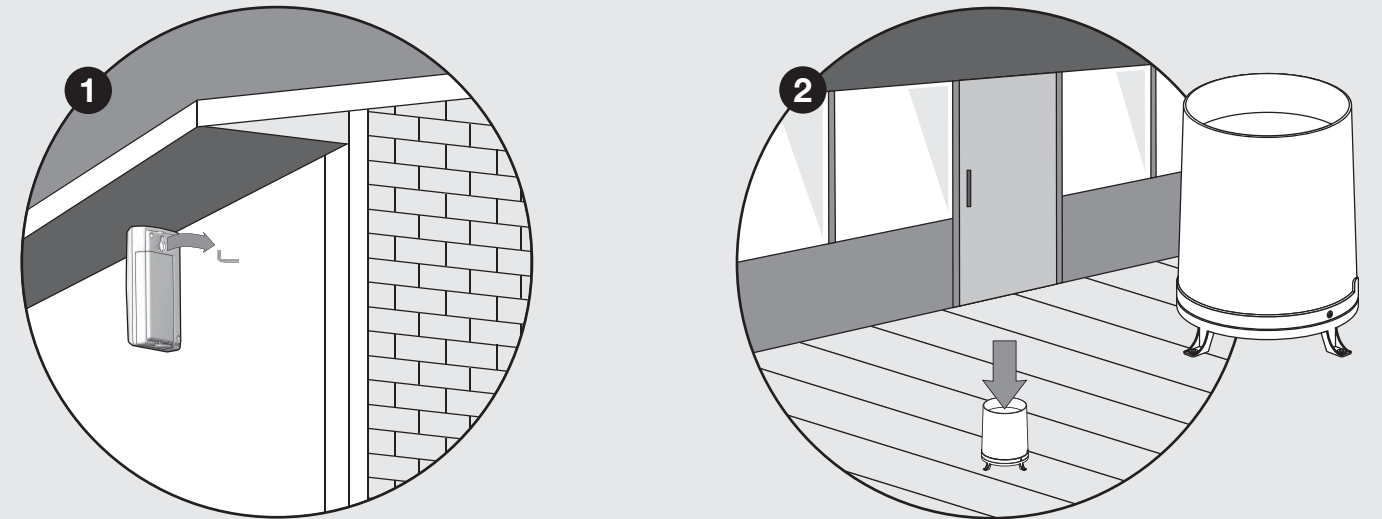
FOR THE RAIN AND TEMPERATURE STATION



- 1 Remove the two base screws located on the bottom rim of the rain gauge and slide the hood cover off to expose the battery compartment.
- 2 Locate the battery compartment and remove the eight screws that secure the cover. Install two AA batteries.
- 3 Remove the packing tape from the tipping funnel.

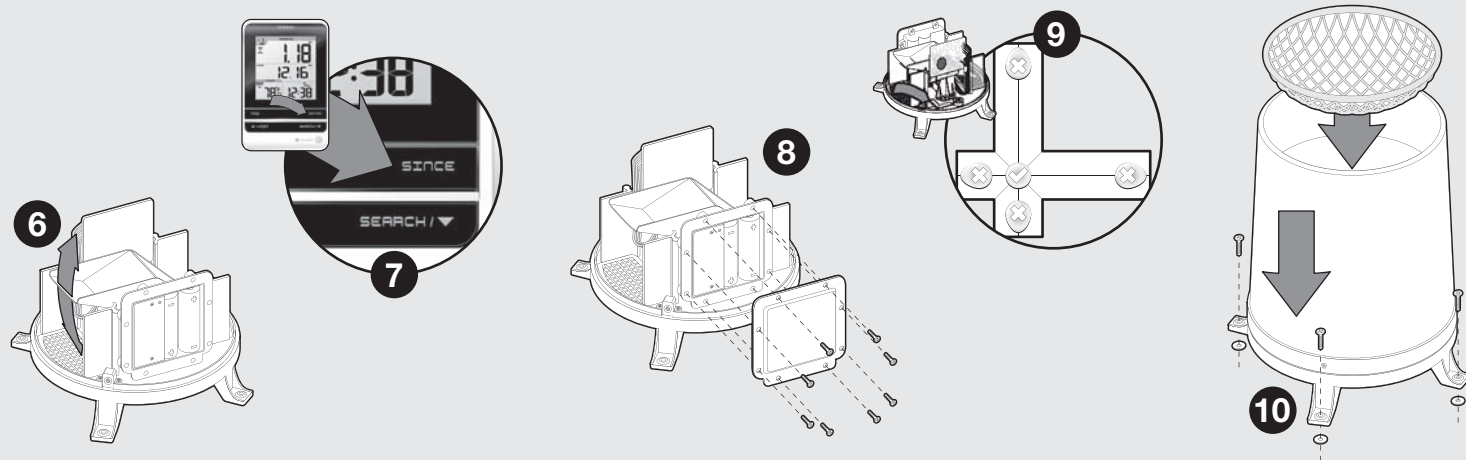
- 4 Press the RESET button.
 - 5 Press the SEARCH button on the main unit to initiate a wireless sensor search.
- *Before proceeding to install the rain gauge outside, please verify communication to the main base station.

E PLACE WIRELESS SENSOR OUTSIDE



- 1 Find a location for the temperature and humidity sensor
Temperature and thermo-humidity sensors should be located in areas protected from the sunlight and rain. Mount the sensor under a covered location like a roof overhang or under the eaves. This will ensure accurate temperature and humidity readings.

- 2 Find a location for the wireless rain gauge
The wireless rain gauge should be placed on a flat and level surface. The location must be away from anything that may block rainfall from entering the rain collector. Rain gauge should be elevated off the ground. Placing your rain gauge on your outside deck would be an ideal location.
- *The distance between the main unit and remote sensor should not be greater than 100 feet.



- 6 Tilt the tipping funnel on the rain gauge several times and verify a numerical reading on the base unit (0.50"). Numerical reading will take approximately 30-45 seconds to transmit to the main unit.
- 7 Press and hold the SINCE button for two seconds. The total rainfall and today rainfall will be reset to zero.
- 8 Secure the battery cover with eight screws.

- 9 After verifying connection to the base station, place the rain gauge outside on a level surface and place a few drops of water on the cross at the base of the funnel to check the horizontal level. Water will pool to the center of the cross when the rain gauge is level. You can adjust the level when securing the rain gauge on the level screws by using the mounting screws.
- 10 To complete the installation, slide the hood cover on and secure with two base screws located on the bottom rim of the rain gauge. Place the filter in the cup to prevent leaves or other debris from blocking water from entering the cup.

FAQ's (Frequently Asked Questions)

Problem	Applicable Models	Solutions
"--" appears on the temperature display	All models	1) Check main unit or remote sensor battery levels by viewing the appropriate icons on main unit display. 2) Place the main unit away from other electronic devices that might cause signal interference. 3) Decrease the distance between the remote sensor and the main unit
Weather forecast icons is displaying the wrong forecast	BAR208HGA, BAR206A	The weather forecast feature does not show you current conditions outside, rather it will forecast what the weather will be in the next 12+ hours. Weather forecast is calculated to be 75% accurate
"--%" appears on the remote humidity display	BAR208HGA, BAR206A, RMR203HGA	<i>NOTE: If you have the RMR203HGA, you need to purchase the THGR268 sensor to display outside humidity.</i> 1) Check main unit or remote sensor battery levels by viewing the appropriate icons on main unit display. 2) Place the main unit away from other electronic devices that might cause signal interference. 3) Decrease the distance between the remote sensor and the main unit
Outdoor temperature reading is wrong.	All models	Move the remote sensor to a location that will not expose it to direct sunlight or rain.
When does the memory reset	BAR208HGA, BAR206A, RMR203HGA, RMR202A	Min/Max memory resets at 12:00 am everyday.
Weather warning display is blank	BAR208HGA	The Weather Warnings icons will activate when current weather conditions fall under specific temperature, barometric, or humidity requirements.
Atomic Clock is not synchronizing	BAR208HGA, BAR206A, RMR203HGA, RMR202A	"Move the main unit close to a window, away from other electronic devices, and hit the up button to initiate an atomic clock signal search. The best time to achieve successful signal synchronizing is during nighttime hours. It can take up to 24 hours to receive a signal."

? Contact our Customer Service Department for additional questions:
website: www2.oregonscientific.com/service **phone:** 800.853.8883 (voice) **address:** 19861 SW 95th Avenue, Tualatin, OR 97062

Free Manuals Download Website

<http://myh66.com>

<http://usermanuals.us>

<http://www.somanuals.com>

<http://www.4manuals.cc>

<http://www.manual-lib.com>

<http://www.404manual.com>

<http://www.luxmanual.com>

<http://aubethermostatmanual.com>

Golf course search by state

<http://golfingnear.com>

Email search by domain

<http://emailbydomain.com>

Auto manuals search

<http://auto.somanuals.com>

TV manuals search

<http://tv.somanuals.com>