



HIGH PERFORMANCE CAR AUDIO



*Subwoofer*

MODEL  
**XTR102**  
**XTR104**  
**XTR122**  
**XTR124**  
**XTR152**  
**XTR154**

**OWNER'S MANUAL**

# TABLE OF CONTENTS

English .....	1
Français .....	25
Español.....	35
Deutsch .....	45
Italiano.....	55
Português .....	65
Introduction .....	1
Practice Safe Sound™ .....	1
What's in the box ..	2
Tools of the Trade .....	2
Installation .....	2
Finding Speaker Mounting Locations .....	2
Features .....	3
Wiring Configurations .....	4
Specifications .....	14
Enclosure Recommendations .....	18
Warranty .....	Back cover

## INTRODUCTION

Thank you for your purchase of the Orion XTR Subwoofers. These woofers represent a combination of incredible performance and value. We at Orion strive to give you the latest up to date information about this product. What we can't give you with the manual is personal installation or technical experience. If you have questions concerning the use or application of this product please refer to the nearest Orion dealer for assistance, visit [www.orioncaraudio.com](http://www.orioncaraudio.com), or call the technical support hotline at 1-800-876-0800. As we are always finding new ways to improve our product, the features and specifications are subject to change without notice.

## PRACTICE SAFE SOUND™

Continuous exposure to sound pressure levels over 100dB may cause permanent hearing loss. High powered automotive sound systems can generate sound pressure levels in excess of 130dB. When playing your system at high levels, please use hearing protection and prevent long term exposure.

Model Number: \_\_\_\_\_

Serial Number: \_\_\_\_\_

Date of Purchase: \_\_\_\_\_

# WHAT'S IN THE BOX

Included in this box are all the necessary mounting hardware and cables for your basic installation. Listed below is a detailed list of the components included in this system package.

Quantity	Description
1	Owner's Manual
1	Orion XTR woofer
1	Mounting template
1	Trim ring

# TOOLS OF THE TRADE

Listed are the majority of the tools required to perform the installation. Having the proper tools will make the installation much easier. It is very difficult when you get half way through the installation and discover that you require a specific tool to get yourself through a particular part of the installation. Some of these tools are necessities. Some make the job much easier.

- Marking Pen
- Phillips Screwdriver
- Allen Wrenches
- Table Saw
- Wire Cutters
- Electric Drill and assorted Bits
- Wire Strippers
- Volt/Ohm Meter (Optional)
- Jig Saw
- Wire Crimpers

# INSTALLATION

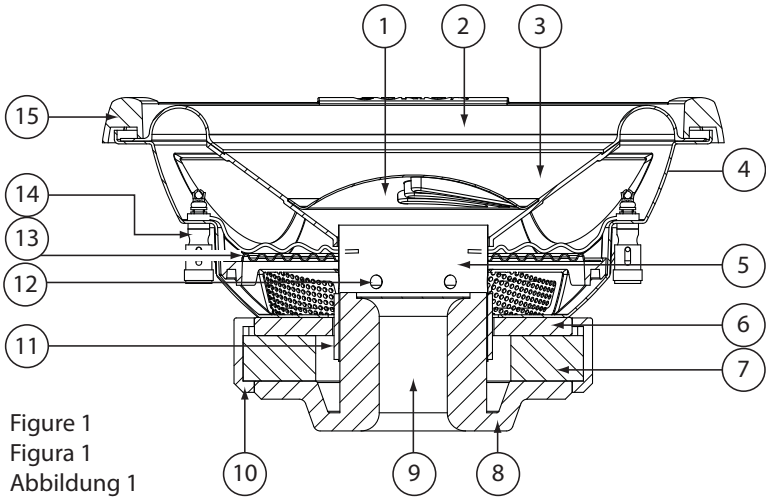
The performance of these XTR subwoofers is directly proportional to the quality of the installation. Care taken with the installation process will be rewarded by years of satisfying performance. If you are unsure of your installation abilities, please refer to your local authorized ORION dealer for assistance. Orion dealers are trained professionals dedicated to extracting the maximum performance out of your Orion system. If you decide to install this speaker system yourself, please read the entire section on sealed and vented enclosures before starting the installation.

# FINDING SPEAKER MOUNTING LOCATIONS

Choosing the correct speaker locations will have the greatest effect on the sound quality of the system. Different considerations are needed when choosing the locations that best suit your needs. The locations must be large enough for the speakers to fit. Care is needed to ensure that the location you have chosen will not affect any of the mechanical or electrical operations of the vehicle.

Determining the best location for the speakers will depend on your cosmetic needs and your vehicle's interior. Usually the woofers are installed in the trunk, rear seat, or rear of the vehicle..

# FEATURES



1	Polypropylene dust cap - moisture and UV resistant.
2	Oversized NBR (Nitrile-butadiene Rubber) surround for linear controlled long excursion.
3	Paper cone - moisture and UV resistant.
4	Custom stamped steel frame.
5	Vented Aluminum voice coil former (2.5" voice coil former).
6	8mm steel front plate.
7	Large 2 stack ceramic magnets. (Large single magnet on 10" models)
8	8mm steel back plate/pole piece T yoke assembly.
9	1.125" vent. Part of the enhanced voice coil cooling system (forced convection).
10	PVC magnet protector.
11	High temperature Copper dual 2 ohm or dual 4 ohm voice coil.
12	Venting in voice coil former. Part of the enhanced voice coil cooling system (forced convection).
13	Interlaced Conex spider with stitched and looped tinsel leads attached.
14	Spring loaded push terminals.
15	ABS Trim Ring.

# WIRING CONFIGURATIONS

## Series - One Speaker (dual 2 ohm voice coils)

One dual 2 ohm voice coil woofer with voice coils in connected in series results in a 4 ohm load to the amplifier.

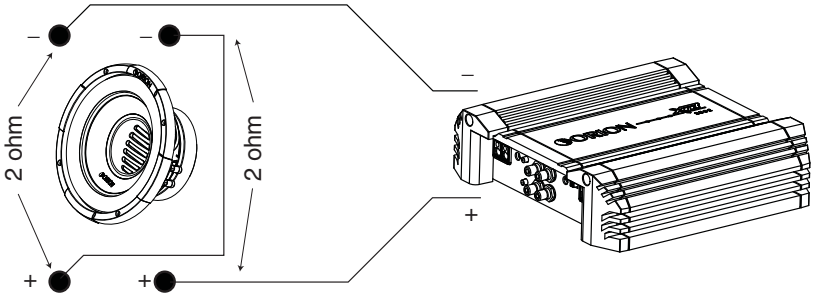


Figure 2  
Figura 2  
Abbildung 2

1. Connect the woofer in series by connecting the negative (-) of one terminal to the positive (+) terminal of the other coil.
2. Wire the positive (+) terminal of the first coil to the positive (+) terminal on the amplifier. Wire the negative (-) terminal of the second coil to the negative (-) terminal on the amplifier.

## Parallel—One Speaker (dual 2 ohm voice coils)

One dual 2 ohm voice coil woofer with voice coils in parallel results in a 1 ohm load to the amplifier.

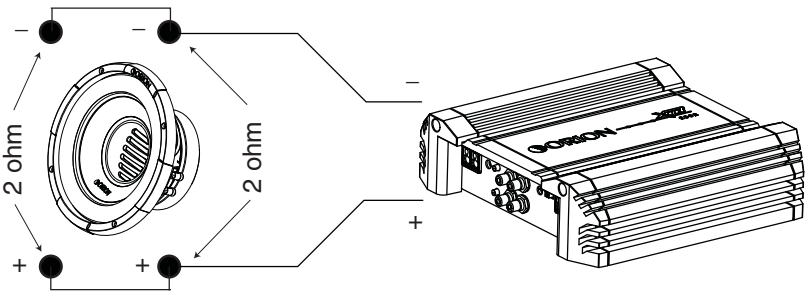


Figure 3  
Figura 3  
Abbildung 3

1. Connect the speaker in parallel by connecting the two positive (+) terminals together and the two negative (-) terminals together.
2. Wire the positive (+) terminals of the woofer to the positive (+) terminal on the amplifier. Wire the negative (-) terminals of the woofer to the negative (-) terminal on the amp.

## Parallel — One Speaker (dual 4 ohm voice coils)

One dual 4 ohm voice coil woofer with voice coils in parallel results in a 2 ohm load to the amplifier.

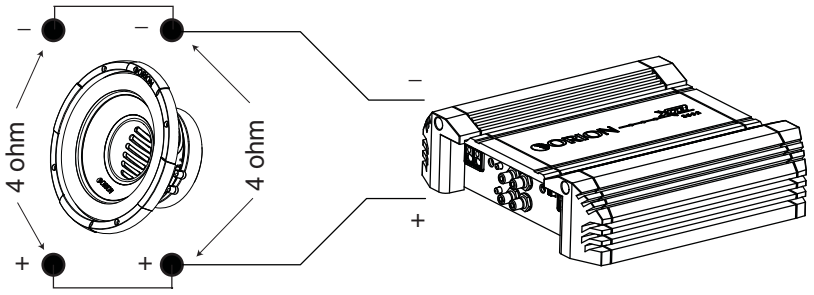


Figure 4  
Figura 4  
Abbildung 4

1. Connect the speaker in parallel by connecting the two positive (+) terminals together and the two negative (-) terminals together.
2. Wire both positive (+) terminals of the woofer to the positive (+) terminal on the amplifier. Wire both negative (-) terminals of the woofer to the negative (-) terminal on the amplifier.

## Parallel - Two Speaker (dual 4 ohm voice coils)

Two dual 4 ohm voice coil woofers with voice coils in parallel and the two woofers in parallel results in a 1 ohm load to the amplifier.

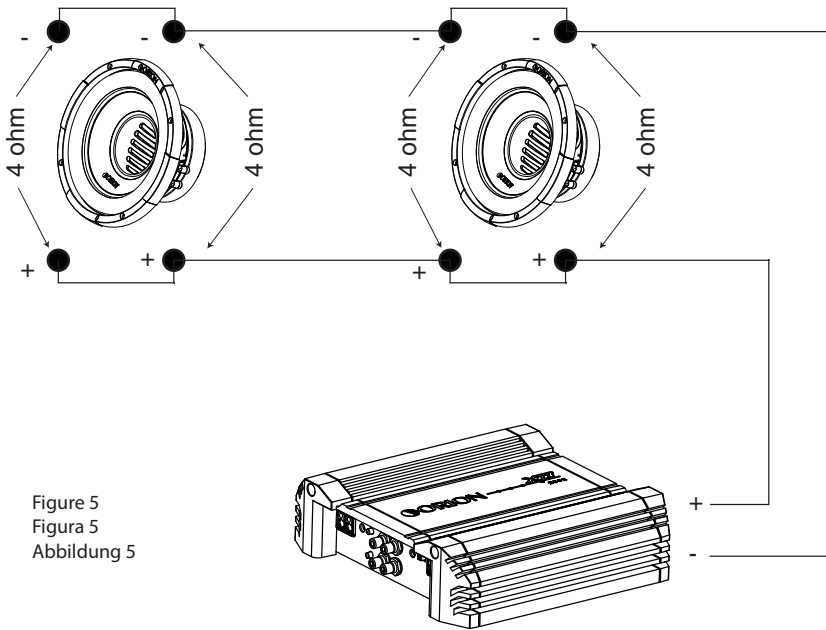


Figure 5  
Figura 5  
Abbildung 5

1. Connect the speaker in parallel by connecting the four positive (+) terminals together and the four negative (-) terminals together.
2. Wire the positive (+) terminals of the woofers to the positive (+) terminal on the amplifier. Wire the negative (-) terminals of the woofers to the negative (-) terminal on the amplifier.

## Series/Parallel - Two Speakers (dual 2 ohm voice coils)

**Note: Verify and ensure that the woofer wiring is connected as shown with the negative connection from the first woofer coil connected to the positive connection of the second woofer coil.**

Two dual 2 ohm voice coil woofers with voice coils in series and then parallel the two series woofers results in a 2 ohm load to the amplifier.

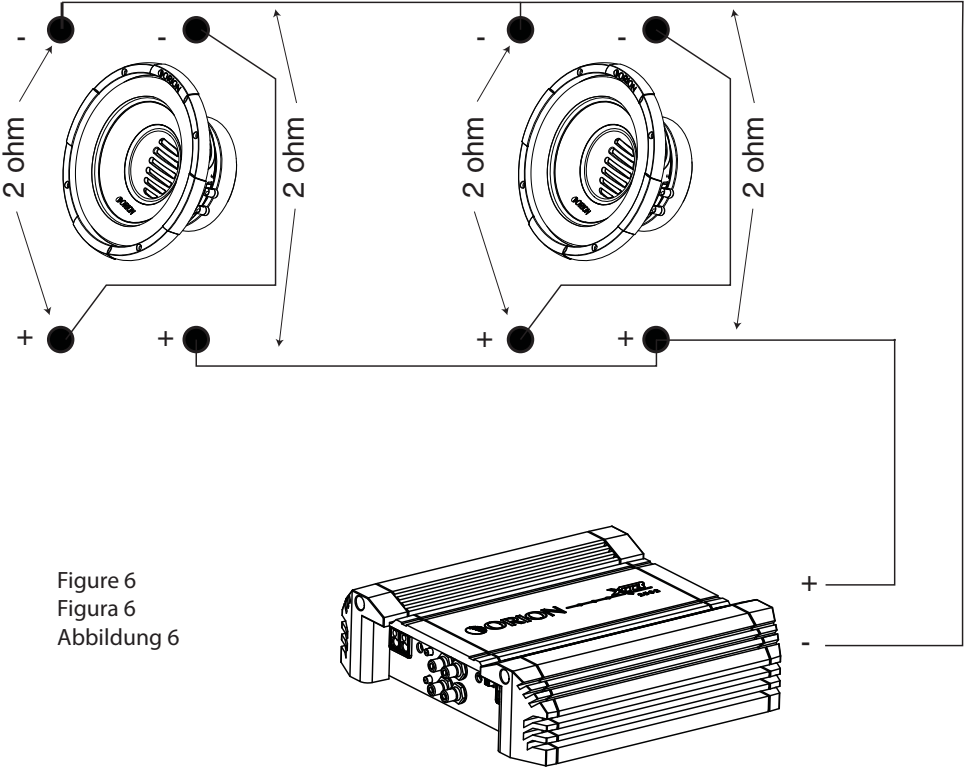


Figure 6  
Figura 6  
Abbildung 6

1. Connect each woofer in series by connecting the negative (-) of the first coil to the positive (+) terminal of the second coil.
2. Wire the positive (+) terminal of the first coil on each woofer to the positive (+) terminal on the amplifier. Wire the negative (-) terminal of the second coil on each woofer to the negative (-) terminal on the amplifier.



## Series/Parallel - Three Speakers (dual 4 ohm voice coils)

**Note: Verify and ensure that the woofer wiring is connected as shown with the negative connection from the first woofer coil connected to the positive connection of the second woofer coil.**

Three dual 4 ohm voice coil woofer with voice coils of each woofer wired in series and then parallel the three woofers for a resulting 2.67 ohm load to the amplifier.

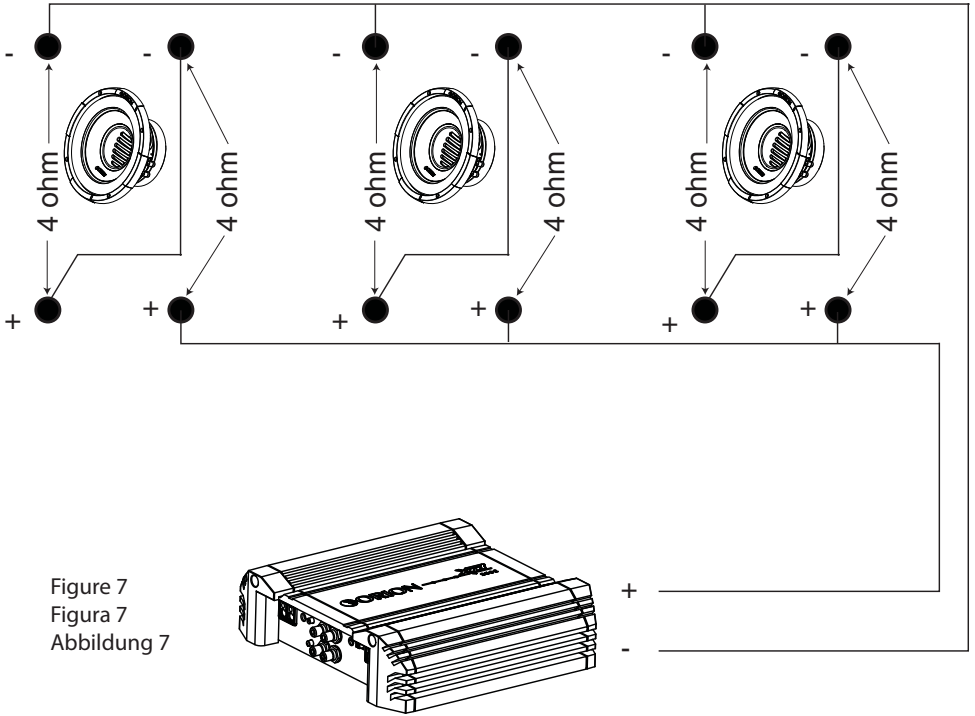


Figure 7  
Figura 7  
Abbildung 7

1. Connect each woofer in series by connecting the negative (-) of the first coil to the positive (+) terminal of the second coil.
2. Wire the positive (+) terminal of each woofer's first coil to the positive (+) terminal on the amplifier. Wire the negative (-) terminal of each woofer's second coil to the negative (-) terminal on the amplifier.

## Series/Parallel - Three Speakers (dual 2 ohm voice coils)

**Note: Verify and ensure that the woofer wiring is connected as shown with the negative connection from the first woofer coil connected to the positive connection of the second woofer coil.**

Three dual 2 ohm voice coil woofer with voice coils of each woofer wired in series and then parallel the three woofers for a resulting 1.33 ohm load to the amplifier.

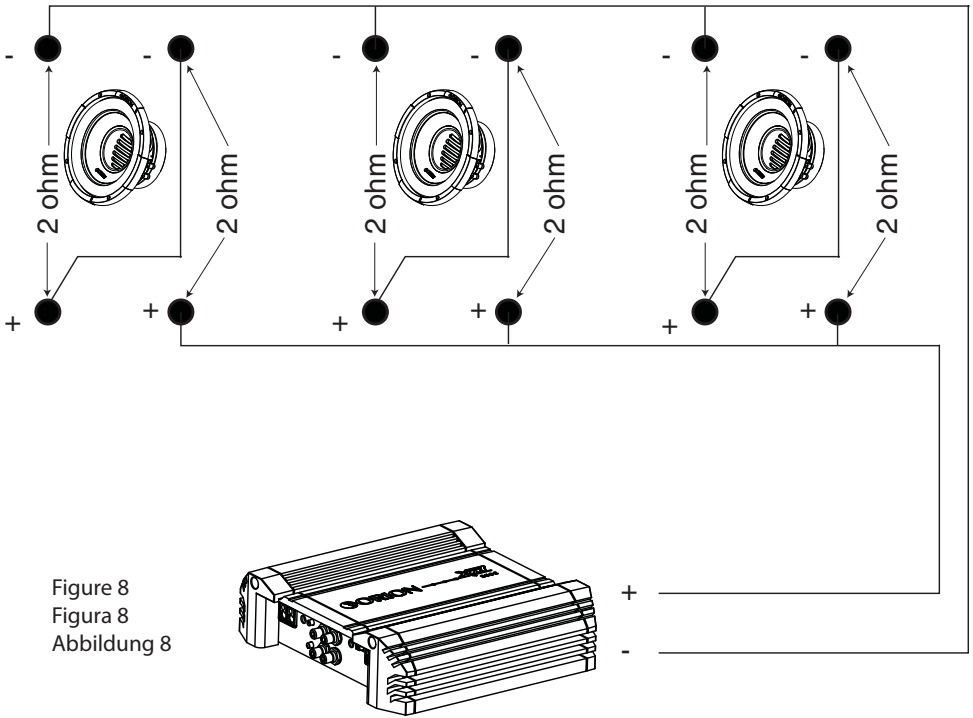


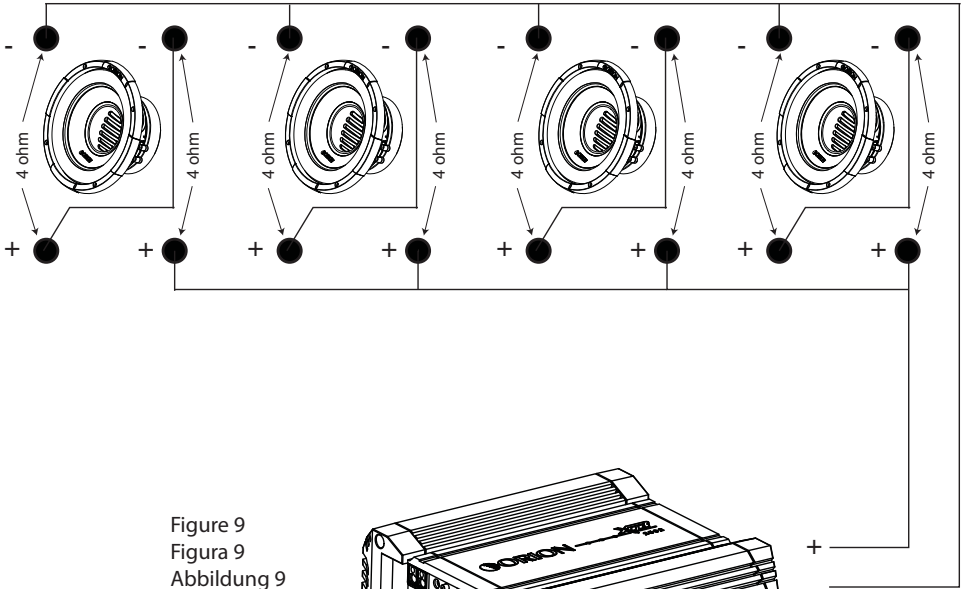
Figure 8  
Figura 8  
Abbildung 8

1. Connect each woofer in series by connecting the negative (-) of the first coil to the positive (+) terminal of the second coil.
2. Wire the positive (+) terminal of each woofer's first coil to the positive (+) terminal on the amplifier. Wire the negative (-) terminal of each woofer's second coil to the negative (-) terminal on the amplifier.

## Series/Parallel - Four Speakers (dual 4 ohm voice coils)

**Note: Verify and ensure that the woofer wiring is connected as shown with the negative connection from the first woofer coil connected to the positive connection of the second woofer coil.**

Four dual 4 ohm voice coil woofers should be wired with the voice coils on each woofer in series and then parallel the four woofers for a resulting 2 ohm load to the amplifier.



1. Connect each woofer in series by connecting the negative (-) of the first coil to the positive (+) terminal of the second coil.
2. Wire the positive (+) terminals of the first coil of each woofer to the positive (+) terminal on the amplifier. Wire the negative (-) terminal of the second coil of each woofer to the negative (-) terminal on the amplifier.

## Series/Parallel - Four Speakers (dual 2 ohm voice coils)

**Note: Verify and ensure that the woofer wiring is connected as shown with the negative connection from the first woofer coil connected to the positive connection of the second woofer coil.**

Four dual 2 ohm voice coil woofers should be wired with the voice coils on each woofer in series and then parallel the four woofers for a resulting 1 ohm load to the amplifier

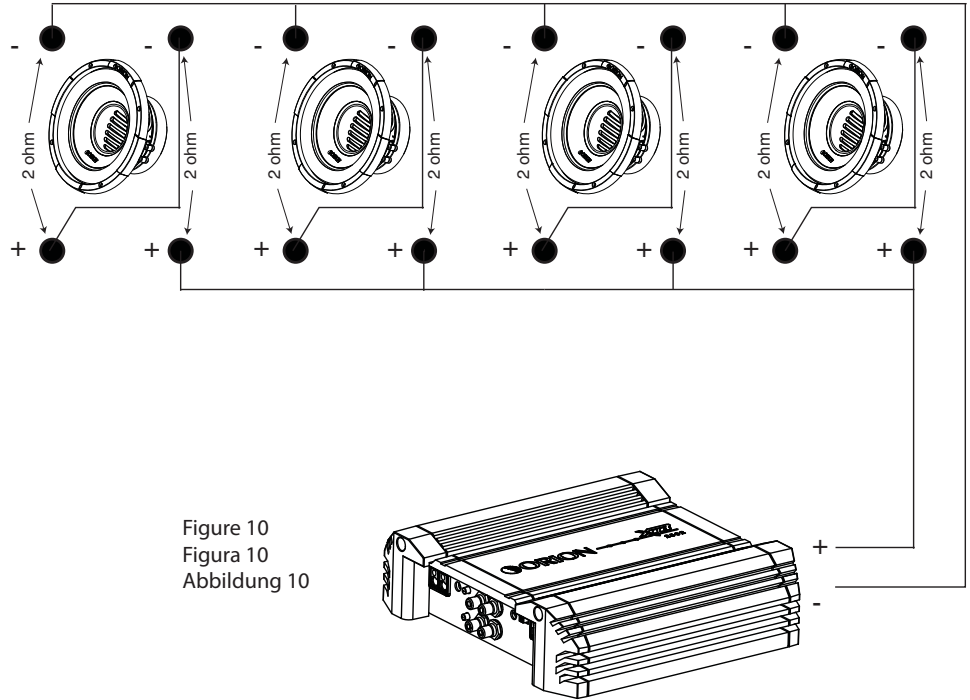


Figure 10  
Figura 10  
Abbildung 10

1. Connect each woofer in series by connecting the negative (-) of the first coil to the positive (+) terminal of the second coil.
2. Wire the positive (+) terminals of the first coil of each woofer to the positive (+) terminal on the amplifier. Wire the negative (-) terminal of the second coil of each woofer to the negative (-) terminal on the amplifier.

## 2 Amplifiers - One Speaker (dual 2 ohm voice coils)

One dual 2 ohm voice coil woofer with each voice coil connected to an individual amplifier, resulting in a 2 ohm load to each amplifier.

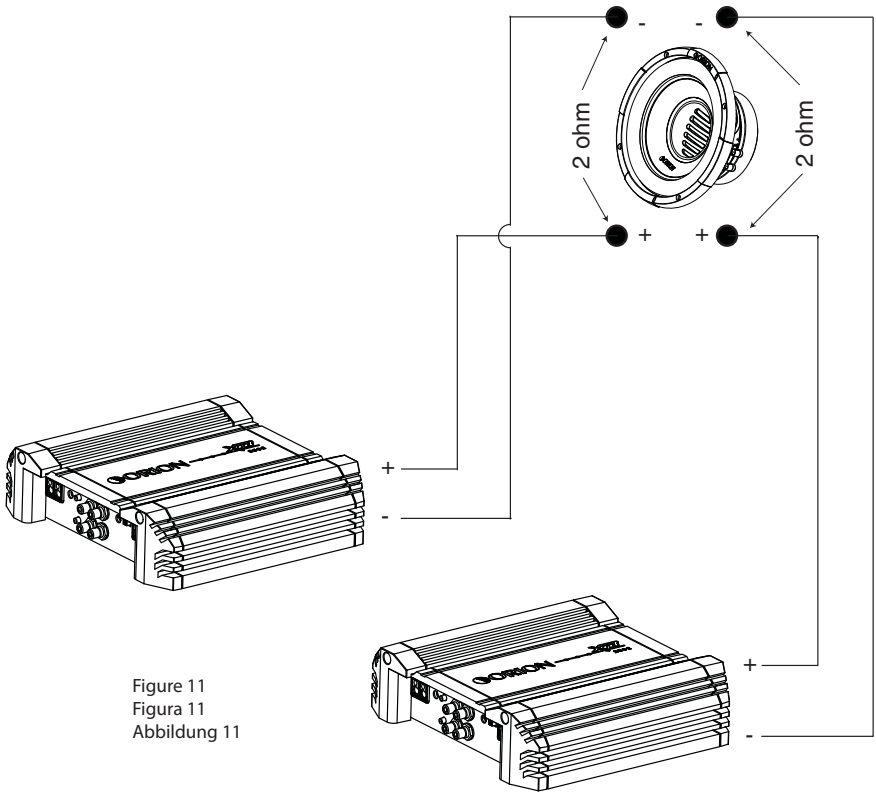


Figure 11  
Figura 11  
Abbildung 11

1. Connect one of the speaker's voice coils to the first amplifier by connecting the positive (+) terminal and the negative (-) terminal from the speaker to the respective positive (+) terminal and the negative (-) terminal from the first amplifier.
2. Connect the other of the speaker's voice coils to the second amplifier by connecting the positive (+) terminal and negative (-) terminal from the speaker to the respective positive (+) terminal and the negative (-) terminal from second amplifier.

## 2 Amplifiers - One Speaker (dual 4 ohm voice coils)

One dual 4 ohm voice coil woofer with each voice coil connected to an individual amplifier, resulting in a 4 ohm load to each amplifier.

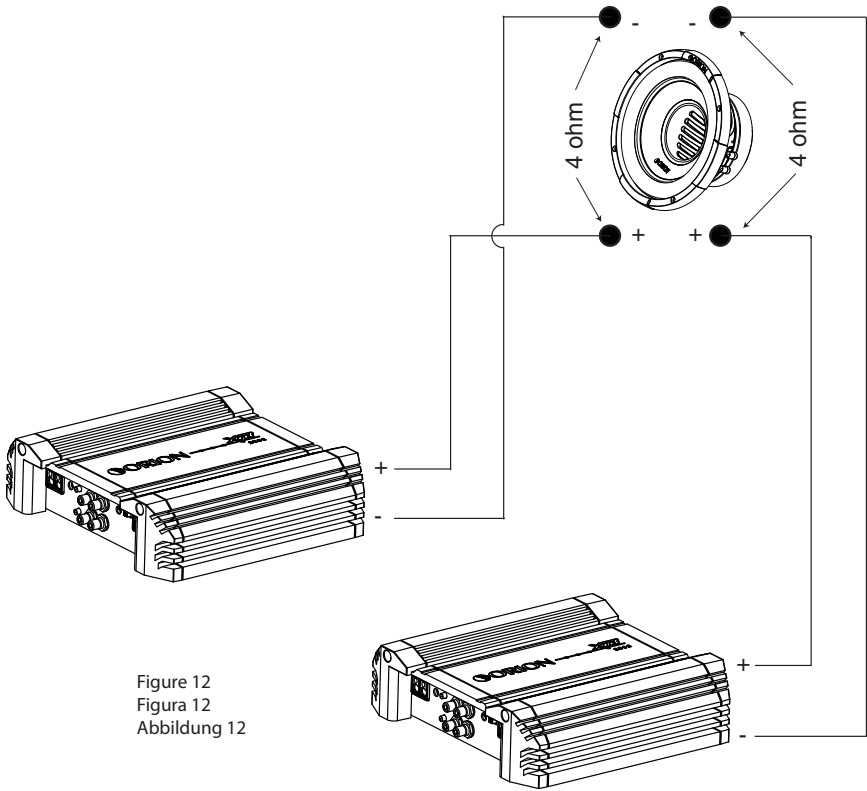


Figure 12  
Figura 12  
Abbildung 12

1. Connect one of the speaker's voice coils to the first amplifier by connecting the positive (+) terminal and the negative (-) terminal from the speaker to the respective positive (+) terminal and the negative (-) terminal from the first amplifier.
2. Connect the other of the speaker's voice coils to the second amplifier by connecting the positive (+) terminal and negative (-) terminal from the speaker to the respective positive (+) terminal and the negative (-) terminal from second amplifier.

# SPECIFICATIONS

Model/Part Number	XTR102	XTR104	XTR122
<b>Thiele/Small Parameters</b>			
Fs (free-air resonance, Hz)	23.4	25.3	22.4
Vas (equivalent compliance, cu. ft.)	1.396	1.245	2.920
Vas (equivalent compliance, liters)	39.550	35.260	82.710
Qms (Q, mechanical)	5.95	5.52	7.28
Qes (Q, electrical)	0.55	0.58	0.51
Qts (total driver Q)	0.50	0.52	0.48
Re (DC resistance, ohms)	4.2	7.8	4.3
Z (nominal impedance, ohms)	4	8	4
Le (inductance, mh)	1.81	2.93	1.84
Efficiency (1W @ 1M, dB)	81.4	81.8	84.4
Xmax (one way linear excursion, in.)	0.476	0.498	0.476
Xmax (one way linear excursion, mm)	12.075	12.65	12.075
Pe (continuous power handling, watts)	250	250	250
Peak power handling (music, watts) *	500	500	500
Mms (total moving mass, grams)	133.28	127.65	162.93
Cms (mechanical compliance, mm/N)	0.348	0.310	0.311
Bl (motor strength, Tesla-M)	12.18	16.51	13.86
Sd (effective radiating area, sq. cm.)	283.529	283.529	433.736
Sd (effective radiating area, sq. in.)	43.964	43.964	67.255
Frequency range (Hz)	20-250	20-250	20-250
Energy Bandwidth Product (EBP) **	42	44	44
<b>Driver Physical Dimension</b>			
Speaker Displacement (cu ft)	0.05	0.05	0.077
Speaker Outer Diameter (inches/mm)	230.00	230.00	277.00
Mounting hole diameter (inches/mm)	9.06	9.06	10.91
Mounting depth (inches/mm)	5.00/127	5.00/127	5.98/152
Magnet Weight (Oz)	42.00	42.00	64.00
Basket diameter (inches/mm)	10.39	10.39	12.24
<b>Recommended Enclosures</b>			
Typical sealed enclosure (cu. ft.)	1.00	1.00	1.50
Vented enclosure (cu. ft.) ***	1.00	1.00	1.50
Port tuning frequency (Hz)	40.00	40.00	40.00
Port diameter (inside, inches)	3.00	3.00	4.00
Port square equivalent (inches)	2.659 x 2.659	2.659 x 2.659	3.545 x 3.545
Port length (inches)	9.88	9.88	11.26

Specifications are subject to change without notice.

# SPECIFICATIONS

Model/Part Number	XTR124	XTR152	XTR154
<b>Thiele/Small Parameters</b>			
Fs (free-air resonance, Hz)	23.7	21.4	23.0
Vas (equivalent compliance, cu. ft.)	2.606	6.141	5.618
Vas (equivalent compliance, liters)	73.820	173.960	159.140
Qms (Q, mechanical)	6.15	6.93	6.53
Qes (Q, electrical)	0.53	0.61	0.73
Qts (total driver Q)	0.49	0.56	0.66
Re (DC resistance, ohms)	7.9	4.2	7.9
Z (nominal impedance, ohms)	8	4	4
Le (inductance, mh)	2.87	1.70	2.55
Efficiency (1W @ 1M, dB)	84.5	86.3	86.0
Xmax (one way linear excursion, in.)	0.476	0.487	0.476
Xmax (one way linear excursion, mm)	12.075	12.363	12.075
Pe (continuous power handling, watts)	250	300	300
Peak power handling (music, watts) *	500	600	600
Mms (total moving mass, grams)	162.76	272.53	259.04
Cms (mechanical compliance, mm/N)	0.278	0.203	0.185
Bl (motor strength, Tesla-M)	18.90	14.36	18.14
Sd (effective radiating area, sq. cm.)	433.736	779.311	779.311
Sd (effective radiating area, sq. in.)	67.255	120.839	120.839
Frequency range (Hz)	20-250	20-250	20-250
Energy Bandwidth Product (EBP) **	45	35	31
<b>Driver Physical Dimension</b>			
Speaker Displacement (cu ft)	0.077	0.143	0.143
Speaker Outer Diameter (inches/mm)	277.00	345.00	345.00
Mounting hole diameter (inches/mm)	10.91	13.58	13.58
Mounting depth (inches/mm)	5.98/152	7.24/184	7.24/184
Magnet Weight (Oz)	64.00	64.00	64.00
Basket diameter (inches/mm)	12.24	15.12	15.12
<b>Recommended Enclosures</b>			
Typical sealed enclosure (cu. ft.)	1.50	2.00	2.00
Vented enclosure (cu. ft.) ***	1.50	3.00	3.00
Port tuning frequency (Hz)	40.00	36.00	36.00
Port diameter (inside, inches)	4.00	4.00	4.00
Port square equivalent (inches)	3.545 x 3.545	3.545 x 3.545	3.545 x 3.545
Port length (inches)	11.26	5.42	5.42

Specifications are subject to change without notice



## Enclosure Details

- Parameters listed are for conventional applications only, for further help please call Audio Tech Support.
- At least 0.75" MDF (Medium Density Fiberboard) is recommend for any XTR enclosure.
- Recommended enclosures are NET box volumes, speaker and port displacement are calculated into the volume of the enclosure, you will not need to add these volumes to calculate GROSS volume for the enclosure.

## Notes

- \* Due to the high power capabilities and long excursion of the XTR woofers, the Thiele/Small Parameters were calculated and measured using a Klippel analyzer system.
- \*\* Energy Bandwidth Product (EBP) is determined by the following formula  $F_s/Q_{es}=EBP$ . EBP values of 50 and lower suggest a sealed enclosure is best, 50 to 90 means the subwoofers versatile and 90 and above mean vented Enclosure is recommended.
- \*\*\* Subsonic filter should always be used and adjusted specifically for vented box designs.

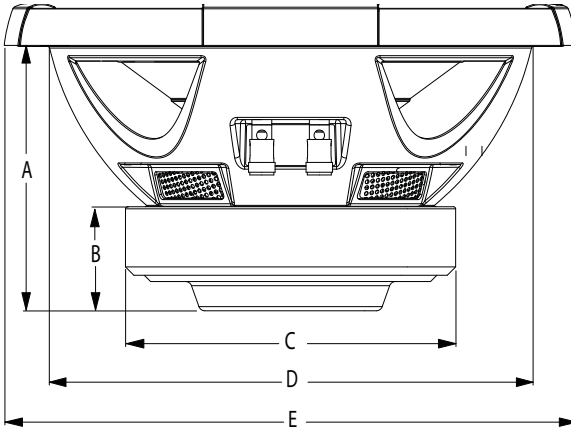


Figure 13  
 Figura 13  
 Abbildung 13

	XTR102	XTR104	XTR122	XTR124	XTR152	XTR154
Dimensions inches/mm, Dimensions po/mm, Dimensiones plg./mm, Abmessungen Zoll/mm, Dimensioni pollici/millimetri, Dimensões polegadas/mm						
A	5.00/127	5.00/127	5.99/152	5.99/152	7.25/184	7.25/184
B	1.97/50	1.97/50	2.32/59	2.32/59	2.32/59	2.32/59
C	5.91/150	5.91/150	5.95/151	5.95/151	5.91/150	5.91/150
D	9.10/230	9.10/230	10.91/277	10.91/277	13.59/345	13.59/345
E	10.40/264	10.40/264	12.25/311	12.25/311	15.13/384	15.13/384

# Explanation of Enclosure Specifications

There are many different factors that help determine the best style of enclosure for you or your vehicle. Listed below are some factors that should be considered.

The size of the enclosure is directly proportional to the efficiency and power handling of that speaker. A woofer in a smaller enclosure will handle more power than the same woofer in a larger enclosure. The exact opposite is true for efficiency, a larger enclosure will play lower frequencies at a louder volume with less power than a smaller enclosure.

The following will explain differences in sealed enclosures. A large enclosure is best suited if you have smaller amounts of power (25% to 50% of speaker's power handling), have a larger vehicle or looking for greater output. While the smaller enclosure should be utilized if you have recommended power (50% to 100% of speaker's rated power handling), have a smaller (high gain) vehicle or are looking for more accurate sound reproduction. A smaller sealed enclosure will yield more control, this audible translates into faster and more accurate bass.

A vented enclosure will offer greater efficiency and stronger low bass output compared to a sealed design. A vented enclosure uses the back wave (sound from the back side of the cone) to reinforce the output from the speaker. A properly tuned enclosure will yield gain across the entire bandwidth of the subwoofer system and offer more cone control than a sealed enclosure. A low tuning will yield less overall gain but greater extension (low bass). A high tuned enclosure will offer more gain but limit the low end response of the system. One of the advantages of having a vented enclosure is because it is tunable to a specific frequency and that tuning frequency is known as the "Fb". Another important box specification is "F3", which is the roll-off frequency at which the driver's response is down -3dB. This is an important number when it comes to setting your high-pass filter or your ORION Intelli-Q. The Intelli-Q should be set at the same frequency as the "F3" as this will keep the speaker from damaging or what is know as over-loading.

Good planning and proper construction will assure the best response from your system. The next pages will outline many different enclosures and designs that allow the XTR subwoofers to perform best. As always, if you have any questions on enclosure construction or design, call Technical Support 1-800-753-0800.

# ENCLOSURE RECOMMENDATIONS

## Enclosure Details

1. External dimensions calculated for 3/4" building material
2. Includes speaker displacement
3. Volumes given are net tuning volume
4. Enclosures include a minimal amount of damping material. Just enough material to line the inside of the enclosure is required.

## XTR102 & 104 Sealed Enclosure Recommendations

### Box Properties

— Description —

Type: Closed Box

Shape: Prism, Square

— Box Parameters —

Vb = 1 cu.ft

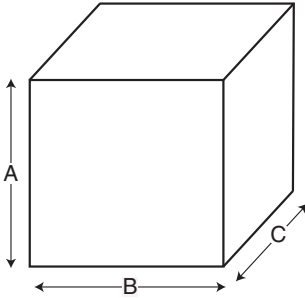
V(total) = 1.055 cu.ft

Qtc = 0.692

QL = 7

F3 = 36.53 Hz

Fill = none



### External Dimensions

A = 13.5 in. (343 mm)

B = 13.5 in. (343 mm)

C = 14.16 in. (360 mm)

### Internal Dimensions

A = 12 in. (305 mm)

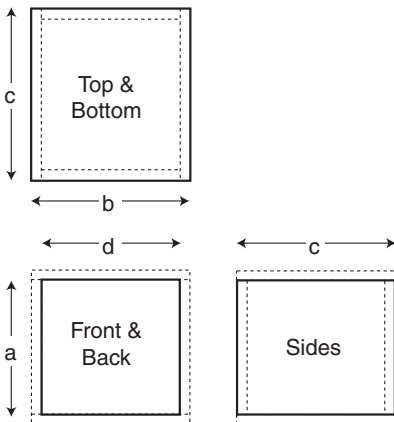
B = 12 in. (305 mm)

C = 12.66 in. (322 mm)

### Wall Thickness

Front = 0.75 in. (19 mm)

Side = 0.75 in. (19 mm)



### —Box Parts—

Box Shape: Square Prism

1 Top, 1 Bottom:

depth (c) = 14.16 in. (360 mm)

width (b) = 13.5 in. (343 mm)

thickness = 0.75 in. (19 mm)

1 Front, 1 Back:

height (a) = 12 in. (305 mm)

width (d) = 12 in. (305 mm)

thickness = 0.75 in. (19 mm)

2 Sides: height (a) = 12 in. (305 mm)

depth (c) = 14.16 in. (360 mm)

thickness = 0.75 in. (19 mm)

### —Driver Mounting—

Front

Figure 14  
Figura 14  
Abbildung 14

# XTR102 & 104 Vented Enclosure Recommendations

## Box Properties

— Description —

Type: Vented Box  
Shape: Prism, Square

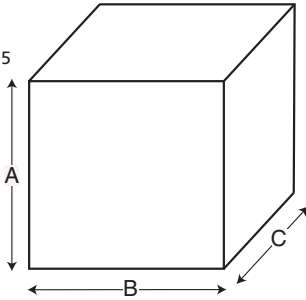
— Box Parameters —

Vb = 1 cu.ft  
V(total) = 1.111 cu.ft  
Fb = 40 Hz  
QL = 6.733  
F3 = 32 Hz  
Fill = none

— Vents —

No. of Vents = 1  
Vent shape = round  
Vent ends = one flush  
Dv = 3 in. (76 mm)  
Lv = 9.879 in. (251 mm)

Figure 15  
Figura 15  
Abbildung 15



### External Dimensions

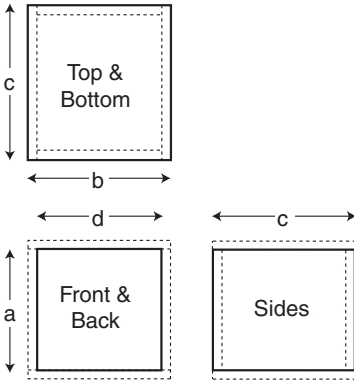
A = 12 in. (305 mm)  
B = 15.5 in. (394 mm)  
C = 14.57 in. (370 mm)

### Internal Dimensions

A = 10.5 in. (267 mm)  
B = 14 in. (356 mm)  
C = 13.07 in. (305 mm)

### Wall Thickness

Front = 0.75 in. (19 mm)  
Side = 0.75 in. (19 mm)



### —Box Parts—

Box Shape: Square Prism

1 Top, 1 Bottom:

depth (c) = 14.57 in. (370 mm)  
width (b) = 15.5 in. (394 mm)  
thickness = 0.75 in. (19 mm)

1 Front, 1 Back:

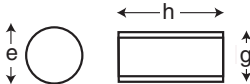
height (a) = 10.5 in. (267 mm)  
width (d) = 14 in. (356 mm)  
thickness = 0.75 in. (19 mm)

2 Sides:

height (a) = 10.5 in. (267 mm)  
depth (c) = 14.57 in. (370 mm)  
thickness = 0.75 in. (19 mm)

### —Driver Mounting—

Mounting: Flush



### Vent Parts

1 Duct:

outside diameter (e) = 3.25 in. (83 mm)  
inside diameter (g) = 3 in. (76 mm)  
length (h) = 9.879 in. (251 mm)

**Box Properties**

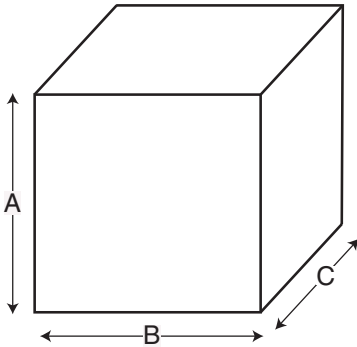
— Description —

Type: Closed Box

Shape: Prism, Square

— Box Parameters —

Vb	=	1.5 cu.ft
V(total)	=	1.601 cu.ft
Qtc	=	0.732
QL	=	7
F3	=	37.35 Hz
Fill	=	none



**External Dimensions**

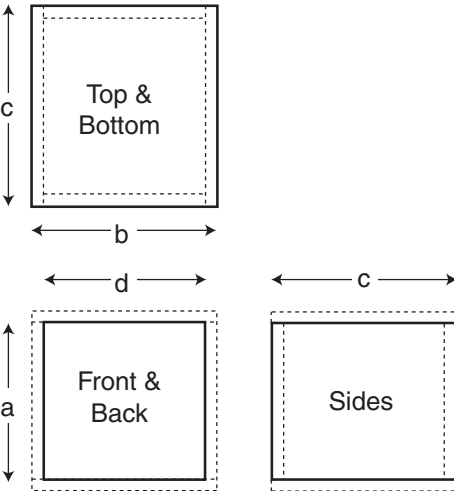
- A = 16 in. (406 mm)
- B = 16 in. (406 mm)
- C = 14.66 in. (372 mm)

**Internal Dimensions**

- A = 14.5 in. (368 mm)
- B = 14.5 in. (368 mm)
- C = 13.16 in. (334 mm)

**Wall Thickness**

- Front = 0.75 in. (19 mm)
- Side = 0.75 in. (19 mm)



—Box Parts—

Box Shape: Square Prism

1 Top, 1 Bottom:

- depth (c) = 14.66 in. (372 mm)
- width (b) = 16 in. (406 mm)
- thickness = 0.75 in. (19 mm)

1 Front, 1 Back:

- height (a) = 14.5 in. (368 mm)
- width (d) = 14.5 in. (368 mm)
- thickness = 0.75 in. (19 mm)

2 Sides:

- height (a) = 14.5 in. (368 mm)
- depth (c) = 14.66 in. (372 mm)
- thickness = 0.75 in. (19 mm)

**Driver Mounting**

Mounting: Front

Figure 16  
 Figura 16  
 Abbildung 16

# XTR122 & 124 Vented Enclosure Recommendations

## Box Properties

### — Description —

Type: Vented Box  
Shape: Prism, Square

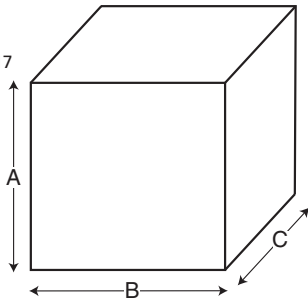
### — Box Parameters —

Vb = 1.5 cu.ft  
V(total) = 1.705 cu.ft  
Fb = 40 Hz  
QL = 6.288  
F3 = 33.47 Hz  
Fill = none

### — Vents —

No. of Vents = 1  
Vent shape = round  
Vent ends = one flush  
Dv = 4 in. (102 mm)  
Lv = 11.26 in. (286 mm)

Figure 17  
Figura 17  
Abbildung 17



### External Dimensions

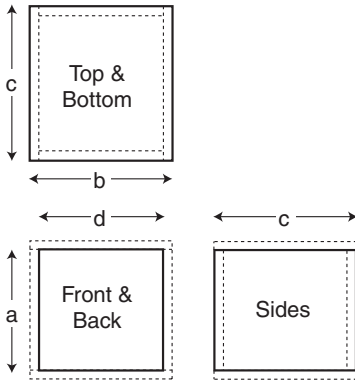
A = 13.5 in. (343 mm)  
B = 18.5 in. (470 mm)  
C = 15.95 in. (405 mm)

### Internal Dimensions

A = 12 in. (305 mm)  
B = 17 in. (432 mm)  
C = 14.45 in. (367 mm)

### Wall Thickness

Front = 0.75 in. (19 mm)  
Side = 0.75 in. (19 mm)



### —Box Parts—

Box Shape: Square Prism

1 Top, 1 Bottom:

depth (c) = 15.95 in. (405 mm)  
width (b) = 18.5 in. (470 mm)  
thickness = 0.75 in. (19 mm)

1 Front, 1 Back:

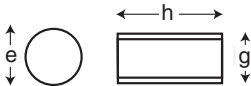
height (a) = 12 in. (305 mm)  
width (d) = 17 in. (432 mm)  
thickness = 0.75 in. (19 mm)

2 Sides:

height (a) = 12 in. (305 mm)  
depth (c) = 15.95 in. (405 mm)  
thickness = 0.75 in. (19 mm)

### —Driver Mounting—

Mounting: Flush



### Vent Parts

1 Duct:

outside diameter (e) = 4.25 in. (108 mm)  
inside diameter (g) = 4 in. (102 mm)  
length (h) = 11.26 in. (286 mm)

**Box Properties**

— Description —

Type: Closed Box

Shape: Prism, Square

— Box Parameters —

Vb = 2 cu.ft

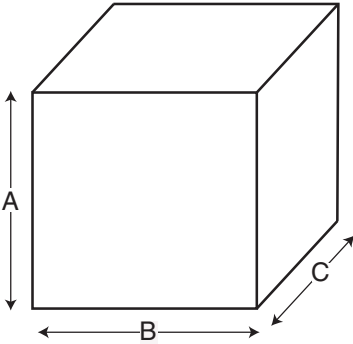
V(total) = 2.182 cu.ft

Qtc = 0.954

QL = 6.519

F3 = 33.02 Hz

Fill = none



**External Dimensions**

A = 17.5 in. (445 mm)

B = 17.5 in. (445 mm)

C = 16.23 in. (412 mm)

**Internal Dimensions**

A = 16 in. (406 mm)

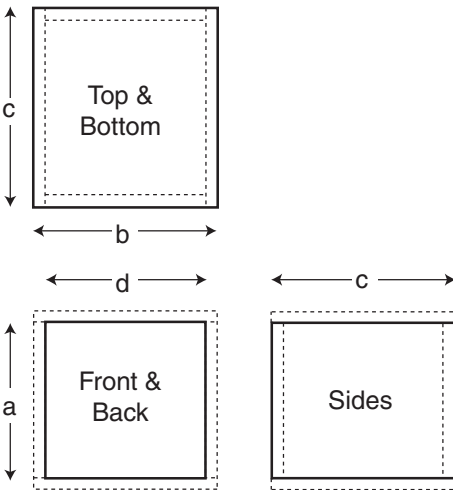
B = 16 in. (406 mm)

C = 14.73 in. (374 mm)

**Wall Thickness**

Front = 0.75 in. (19 mm)

Side = 0.75 in. (19 mm)



— Box Parts —

Box Shape: Square Prism

1 Top, 1 Bottom:

depth (c) = 16.23 in. (412 mm)

width (b) = 17.5 in. (445 mm)

thickness = 0.75 in. (19 mm)

1 Front, 1 Back:

height (a) = 16 in. (406 mm)

width (d) = 16 in. (406 mm)

thickness = 0.75 in. (19 mm)

2 Sides:

height (a) = 16 in. (406 mm)

depth (c) = 16.23 in. (412 mm)

thickness = 0.75 in. (19 mm)

**Driver Mounting**

Mounting: Front

Figure 18  
Figura 18  
Abbildung 18

# XTR152 & 154 Vented Enclosure Recommendations

## Box Properties

— Description —

Type: Vented Box  
Shape: Prism, Square

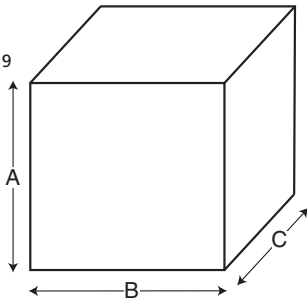
— Box Parameters —

Vb = 3 cu.ft  
V(total) = 3.247 cu.ft  
Fb = 36 Hz  
QL = 5  
F3 = 30.63 Hz  
Fill = none

— Vents —

No. of Vents = 1  
Vent shape = round  
Vent ends = one flush  
Dv = 4 in. (102 mm)  
Lv = 5.422 in. (138 mm)

Figure 19  
Figura 19  
Abbildung 19



### External Dimensions

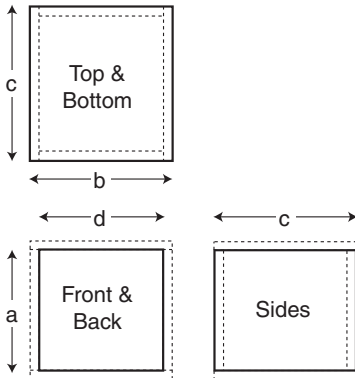
A = 18.5 in. (470 mm)  
B = 23.5 in. (597 mm)  
C = 16.58 in. (421 mm)

### Internal Dimensions

A = 17 in. (432 mm)  
B = 22 in. (559 mm)  
C = 15.08 in. (383 mm)

### Wall Thickness

Front = 0.75 in. (19 mm)  
Side = 0.75 in. (19 mm)



### —Box Parts—

Box Shape: Square Prism

1 Top, 1 Bottom:

depth (c) = 16.58 in. (421 mm)  
width (b) = 23.5 in. (597 mm)  
thickness = 0.75 in. (19 mm)

1 Front, 1 Back:

height (a) = 17 in. (432 mm)  
width (d) = 22 in. (559 mm)  
thickness = 0.75 in. (19 mm)

2 Sides:

height (a) = 17 in. (432 mm)  
depth (c) = 16.58 in. (421 mm)  
thickness = 0.75 in. (19 mm)

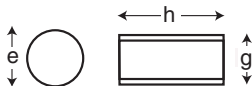
### Driver Mounting

Mounting: Flush

### Vent Parts --- Square

1 Duct:

outside diameter (e) = 4.25 in. (108 mm)  
inside diameter (g) = 4 in. (102 mm)  
length (h) = 5.422 in. (138 mm)





## INSTALLATION

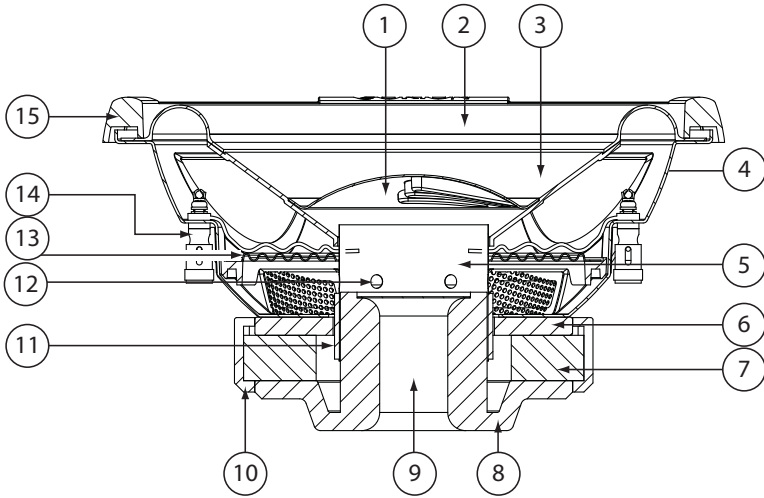
Les performances de ces haut-parleurs de graves XTR sont directement liées à la qualité de l'installation. Les précautions prises lors de l'installation se traduiront par des années de bon fonctionnement. Si vous doutez de pouvoir obtenir une bonne installation, veuillez demander l'assistance technique d'un revendeur Orion agréé. Les revendeurs Orion sont des professionnels compétents spécialisés, capables d'obtenir les meilleures performances des systèmes Orion. Si vous décidez d'installer vous-même ce système de haut-parleurs, veuillez lire toute la section relative aux caissons clos et aux caissons à évent accordé avant de commencer l'installation.

## CHOIX DES EMPLACEMENTS DE MONTAGE DES HAUT-PARLEURS

Le choix des emplacements de montage des haut-parleurs a une très grande influence sur la qualité sonore du système. Pour choisir les emplacements répondant le mieux aux besoins de l'utilisateur, de nombreux facteurs doivent être pris en compte. Il faut qu'il y ait suffisamment de place pour y placer les haut-parleurs. Vérifiez que l'emplacement choisi est compatible avec le fonctionnement mécanique et électrique du véhicule.

Le choix des meilleurs emplacements pour les haut-parleurs est conditionné par l'esthétisme et le décor intérieur du véhicule. En général, les haut-parleurs de graves sont installés dans le coffre, le siège arrière ou à l'arrière du véhicule.

# CARACTÉRISTIQUES



1	Calotte pare-poussière en polypropylène, résistante à l'humidité et aux UV.
2	Suspension surdimensionnée en caoutchouc nitrile-butadiène permettant une longue course contrôlée.
3	Cône papier – résistant à l'humidité et aux UV.
4	Cadre sur mesure en acier matricé
5	Corps de bobine mobile en aluminium avec événements (corps de bobine mobile de 2,5").
6	Plaque avant en acier 8 mm.
7	Pile de 2 gros aimants céramique.
8	Plaque arrière en acier 8 mm / bloc de pièce polaire en T.
9	Évent de 29 mm faisant partie du système de refroidissement amélioré de la bobine mobile (convection forcée).
10	Protecteur d'aimant en PVC.
11	Bobine mobile en cuivre haute température 2 ohms double ou 4 ohms double.
12	Événements dans le corps de bobine mobile. Font partie du système de refroidissement amélioré de la bobine mobile (convection forcée).
13	Anneau de centrage double Conex entrelacé avec fils rosettes cousus et en boucles.
14	Borniers personnalisés.
15	Enjoliveur en ABS.

# CONFIGURATIONS DE CÂBLAGE

## **Série – Un haut-parleur (deux bobines mobiles de 2 ohms)**

Voir la figure 2 à la page 4

Un haut-parleur de graves à deux bobines mobiles de 2 ohms raccordées en série constitue une charge de 4 ohms pour l'amplificateur.

1. Configurez le haut-parleur de graves en série en raccordant l'une des bornes négatives (-) à la borne positive (+) de l'autre bobine.
2. Raccordez la borne positive (+) de la première bobine à la borne positive (+) de l'amplificateur. Raccordez la borne négative (-) de la seconde bobine à la borne négative (-) de l'amplificateur.

## **Parallèle – Un haut-parleur (deux bobines mobiles de 2 ohms)**

Voir la figure 3 à la page 4

Un haut-parleur de graves à deux bobines mobiles de 2 ohms raccordées en parallèle constitue une charge de 1 ohm pour l'amplificateur.

1. Configurez le haut-parleur de graves en parallèle en raccordant entre elles les deux bornes positives (+) et les deux bornes négatives (-).
2. Raccordez les bornes positives (+) du haut-parleur de graves à la borne positive (+) de l'amplificateur. Raccordez les bornes négatives (-) du haut-parleur de graves à la borne négative (-) de l'amplificateur.

## **Parallèle – Un haut-parleur (deux bobines mobiles de 4 ohms)**

Voir la figure 4 à la page 5

Un haut-parleur de graves à deux bobines mobiles de 4 ohms raccordées en parallèle constitue une charge de 2 ohms pour l'amplificateur.

1. Configurez le haut-parleur de graves en parallèle en raccordant entre elles les deux bornes positives (+) et les deux bornes négatives (-).
2. Raccordez les deux bornes positives (+) du haut-parleur de graves à la borne positive (+) de l'amplificateur. Raccordez les deux bornes négatives (-) du haut-parleur de graves à la borne négative (-) de l'amplificateur.

## **Parallèle – Deux haut-parleurs (deux bobines mobiles de 4 ohms)**

Voir la figure 5 à la page 6

Deux haut-parleurs de graves en parallèle avec pour chacun les deux bobines mobiles de 4 ohms raccordées en parallèle constituent une charge de 1 ohm pour l'amplificateur.

1. Configurez le haut-parleur de graves en parallèle en raccordant entre elles les quatre bornes positives (+) et les quatre bornes négatives (-).
2. Raccordez les bornes positives (+) des haut-parleurs de graves à la borne positive (+) de l'amplificateur. Raccordez les bornes négatives (-) des haut-parleurs de graves à la borne négative (-) de l'amplificateur.

(+) de l'amplificateur. Raccordez les bornes négatives (-) des haut-parleurs de graves à la borne négative (-) de l'amplificateur.

### **Série-parallèle – Deux haut-parleurs (deux bobines mobiles de 2 ohms)**

Voir la figure 6 à la page 7

**Remarque : Vérifiez que le câblage du haut-parleur de graves est conforme à l'illustration, avec la borne négative de la première bobine du haut-parleur de graves reliée à la borne positive de la seconde bobine.**

Deux haut-parleurs de graves en parallèle avec pour chacun les deux bobines mobiles de 2 ohms raccordées en série constituent une charge de 2 ohms pour l'amplificateur.

1. Configurez chaque haut-parleur de graves en série en raccordant la borne négative (-) de la première bobine à la borne positive (+) de la seconde.
2. Raccordez la borne positive (+) de la première bobine de chaque haut-parleur de graves à la borne positive (+) de l'amplificateur. Raccordez la borne négative (-) de la seconde bobine de chaque haut-parleur de graves à la borne négative (-) de l'amplificateur.

### **Série-parallèle – Trois haut-parleurs (deux bobines mobiles de 4 ohms)**

Voir la figure 7 à la page 8

**Remarque : Vérifiez que le câblage du haut-parleur de graves est conforme à l'illustration, avec la borne négative de la première bobine du haut-parleur de graves reliée à la borne positive de la seconde bobine.**

Trois haut-parleurs de graves en parallèle avec pour chacun les deux bobines mobiles de 4 ohms raccordées en série constituent une charge de 2,67 ohms pour l'amplificateur.

1. Configurez chaque haut-parleur de graves en série en raccordant la borne négative (-) de la première bobine à la borne positive (+) de la seconde.
2. Raccordez la borne positive (+) de la première bobine de chaque haut-parleur de graves à la borne positive (+) de l'amplificateur. Raccordez la borne négative (-) de la seconde bobine de chaque haut-parleur de graves à la borne négative (-) de l'amplificateur.

### **Série-parallèle – Trois haut-parleurs (deux bobines mobiles de 2 ohms)**

Voir la figure 8 à la page 9

**Remarque : Vérifiez que le câblage du haut-parleur de graves est conforme à l'illustration, avec la borne négative de la première bobine du haut-parleur de graves reliée à la borne positive de la seconde bobine.**

Trois haut-parleurs de graves en parallèle avec pour chacun les deux bobines mobiles de 2 ohms raccordées en série constituent une charge de 1,33 ohms pour l'amplificateur.

1. Configurez chaque haut-parleur de graves en série en raccordant la borne négative (-) de la première bobine à la borne positive (+) de la seconde.
2. Raccordez la borne positive (+) de la première bobine de chaque haut-parleur de graves à la borne positive (+) de l'amplificateur. Raccordez la borne négative (-) de la seconde bobine de chaque haut-parleur de graves à la borne négative (-) de l'amplificateur.

### **Série-parallèle – Quatre haut-parleurs (deux bobines mobiles de 4 ohms)**

Voir la figure 9 à la page 10

**Remarque : Vérifiez que le câblage du haut-parleur de graves est conforme à l'illustration, avec la borne négative de la première bobine du haut-parleur de graves reliée à la borne positive de la seconde bobine.**

Quatre haut-parleurs de graves en parallèle avec pour chacun les deux bobines mobiles de 4 ohms raccordées en série constituent une charge de 2 ohms pour l'amplificateur.

1. Configurez chaque haut-parleur de graves en série en raccordant la borne négative (-) de la première bobine à la borne positive (+) de la seconde.
2. Raccordez la borne positive (+) de la première bobine de chaque haut-parleur de graves à la borne positive (+) de l'amplificateur. Raccordez la borne négative (-) de la seconde bobine de chaque haut-parleur de graves à la borne négative (-) de l'amplificateur.

### **Série-parallèle – Quatre haut-parleurs (deux bobines mobiles de 2 ohms)**

Voir la figure 10 à la page 11

**Remarque : Vérifiez que le câblage du haut-parleur de graves est conforme à l'illustration, avec la borne négative de la première bobine du haut-parleur de graves reliée à la borne positive de la seconde bobine.**

Quatre haut-parleurs de graves en parallèle avec pour chacun les deux bobines mobiles de 2 ohms raccordées en série constituent une charge de 1 ohm pour l'amplificateur.

1. Configurez chaque haut-parleur de graves en série en raccordant la borne négative (-) de la première bobine à la borne positive (+) de la seconde.
2. Raccordez la borne positive (+) de la première bobine de chaque haut-parleur de graves à la borne positive (+) de l'amplificateur. Raccordez la borne négative (-) de la seconde bobine de chaque haut-parleur de graves à la borne négative (-) de l'amplificateur.

### **2 amplificateurs – Un haut-parleur (deux bobines mobiles de 2 ohms)**

Voir la figure 11 à la page 12

Un haut-parleur de graves à deux bobines mobiles de 2 ohms raccordées chacune à un amplificateur distinct constitue une charge de 2 ohms pour chaque amplificateur.

1. Raccordez l'une des bobines mobiles du haut-parleur au premier amplificateur en reliant les bornes positive (+) et négative (-) du haut-parleur aux bornes positive

(+) et négative (-) correspondantes du premier amplificateur.

2. Raccordez l'autre bobine mobile du haut-parleur au second amplificateur en reliant les bornes positive (+) et négative (-) du haut-parleur aux bornes positive (+) et négative (-) correspondantes du second amplificateur.

## 2 amplificateurs – Un haut-parleur (deux bobines mobiles de 4 ohms)

Voir la figure 12 à la page 13

Un haut-parleur de graves à deux bobines mobiles de 4 ohms raccordées chacune à un amplificateur distinct constitue une charge de 4 ohms pour chaque amplificateur.

1. Raccordez l'une des bobines mobiles du haut-parleur au premier amplificateur en reliant les bornes positive (+) et négative (-) du haut-parleur aux bornes positive (+) et négative (-) correspondantes du premier amplificateur.
2. Raccordez l'autre bobine mobile du haut-parleur au second amplificateur en reliant les bornes positive (+) et négative (-) du haut-parleur aux bornes positive (+) et négative (-) correspondantes du second amplificateur.

# SPÉCIFICATIONS

Explication des caractéristiques techniques, voir les détails en pages 14 et 15

Modèle/Référence	XTR###
Taille	
<b>Paramètres Thiele/Small</b>	
Fs (résonance à l'air libre, Hz)	
Vas (conformité équivalente, pieds-cubes)	
Vas (conformité équivalente, litres)	
Qms (Q, mécanique)	
Qes (Q, électrique)	
Qts (Q total haut-parleur)	
Re (résistance c.c., ohms)	
Z (impédance nominale, ohms)	
Le (inductance, mH)	
Rendement (1W à 1 m, dB)	
Xmax (course linéaire dans un sens, pouces)	
Xmax (course linéaire dans un sens, mm)	
Pe (puissance continue admissible, watts)	
Puissance crête admissible (musique, watts) *	
Mms (masse mobile totale, grammes)	
Cms (conformité mécanique, mm/N)	
Bl (intensité magnétique moteur, tesla-mètres)	
Sd (surface effective de rayonnement, cm <sup>2</sup> )	

Sd (surface effective de rayonnement, pouces-carrés)	
Plage de fréquence (Hz)	
Facteur d'efficacité (EBP) **	
<b>Encombrement du haut-parleur</b>	
Volume du haut-parleur (pieds-cubes)	
Diamètre extérieur du haut-parleur (pouces/mm)	
Diamètre du trou de montage (pouces/mm)	
Profondeur de montage (pouces/mm)	
Poids de l'aimant (onces)	
Diamètre du saladier (pouces/mm)	
<b>Caissons recommandés</b>	
Caisson clos courant (pieds-cubes)	
Caisson à événement accordé (pieds-cubes) ***	
Fréquence d'accord de l'événement (Hz)	
Carré équivalent à l'événement (pouces)	
Longueur de l'événement (pouces)	

Spécifications sujettes à changement sans préavis

## DÉTAILS DU CAISSON

1. Les paramètres indiqués ne sont valables que pour des applications conventionnelles. Pour obtenir de l'aide, veuillez téléphoner au service d'assistance technique audio.
2. Panneau de fibres de densité moyenne de 19 mm recommandé.
3. Les recommandations de caissons indiquent des volumes NETS. Les volumes du haut-parleur et de l'événement sont pris en compte dans le volume du caisson. Il n'est pas nécessaire d'ajouter ces volumes pour obtenir le volume BRUT du caisson.

## REMARQUES :

- \* En raison des possibilités de puissance élevée et de la longue course de ces haut-parleurs de graves, les paramètres Thiele/Small ont été calculés et mesurés à l'aide d'un système d'analyse Klippel.
- \*\* Le facteur d'efficacité (EBP) est déterminé par la formule suivante :  $Fs/Qes = EBP$ . Les valeurs d'EBP inférieures ou égales à 50 indiquent qu'un caisson clos est préférable ; entre 50 et 90, les haut-parleurs de graves sont polyvalents ; pour une valeur supérieure ou égale à 90, un caisson à événement accordé est recommandé.
- \*\*\* Toujours utiliser et régler des filtres subsoniques en fonction des modèles de caissons à événement accordé.

# EXPLICATION DES CARACTÉRISTIQUES TECHNIQUES DES CAISSONS

De nombreux facteurs entrent en jeu dans la détermination du meilleur type de caisson pour un utilisateur ou un véhicule donné. Voici quelques uns de ces facteurs.

La taille du caisson est directement proportionnelle au rendement et à la puissance admissible du haut-parleur. La puissance admissible est plus élevée pour un haut-parleur de graves dans un petit caisson que pour le même haut-parleur de graves dans un plus grand caisson. Pour le rendement, c'est exactement le contraire : un grand caisson permet de reproduire les très basses fréquences avec un volume plus élevé et moins de puissance qu'un petit caisson.

Le type de caisson clos ci-dessous est le meilleur pour la qualité d'ensemble du son. La taille du caisson dépend de la puissance et du type de véhicule dans lequel il doit être placé. Les grands caissons conviennent mieux pour les faibles puissances (25 à 50 % de la puissance admissible du haut-parleur) et les grands véhicules, ou bien pour obtenir un plus grand volume sonore. Il faut utiliser un petit caisson dans le cas d'une forte puissance (50 à 100 % de la puissance admissible du haut-parleur) ou d'un petit véhicule (gain élevé), ou bien pour obtenir une plus grande précision de reproduction du son. Un caisson clos plus petit permet un meilleur contrôle, ce qui se traduit par des graves plus rapides et plus précis.

Par rapport à un modèle clos, un caisson à évent accordé offre un meilleur rendement et une puissance acoustique plus élevée dans les extrêmes-graves. Un caisson clos utilise l'onde arrière (son provenant de l'arrière du cône) pour renforcer la puissance acoustique du haut-parleur. Un caisson correctement accordé permet un gain élevé sur toute la bande passante du caisson de graves et offre un meilleur contrôle qu'un caisson clos. Un accord bas donne moins de gain d'ensemble mais une meilleure extension (extrêmes-graves). Avec un caisson à accord haut, le gain est plus élevé mais la réponse du système dans les extrêmes-graves est limitée. L'un des avantages d'un caisson à évent accordé est la possibilité d'accord à une fréquence particulière, appelée « Fb ». Une autre caractéristique importante du caisson est « F3 », la fréquence à laquelle la réponse du haut-parleur est réduite de 3 dB. Il s'agit d'une valeur importante pour le réglage du filtre passe-haut ou du dispositif ORION IntelliQ. Le dispositif IntelliQ doit être réglé à la fréquence « F3 » car cela permet d'éviter d'endommager le haut-parleur ou de le surcharger.

Une bonne préparation et une construction adéquate garantissent la meilleure réponse du système. Les pages suivantes décrivent plusieurs types de caissons permettant d'obtenir le meilleur fonctionnement des haut-parleurs de graves XTR.



# RECOMMANDATIONS SUR LES ENCEINTES

## Détails des enceintes

1. Dimensions externes calculées pour des matériaux de 3/4"
2. Inclut le volume d'encombrement des haut-parleurs
3. Les volumes indiqués sont le volume d'accord net
4. Les enceintes contiennent une quantité minimale de matériaux d'amortissement. Il suffit de prévoir assez de tissu pour le revêtement intérieur de l'enceinte.

Explication des diagrammes de caissons clos (voir les dimensions en pages 18, 20 et 22)

Propriétés du caisson

— Description —

Type : Caisson clos

Forme : Prisme, carré

— Paramètres du caisson —

Vb =

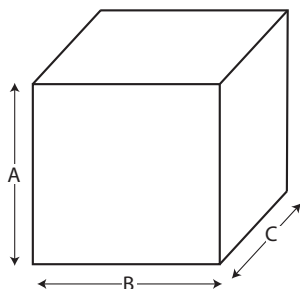
V(total) =

QtC =

QL =

F3 =

Remplissage =



— Dimensions externes —

A =

B =

C =

— Dimensions internes —

A =

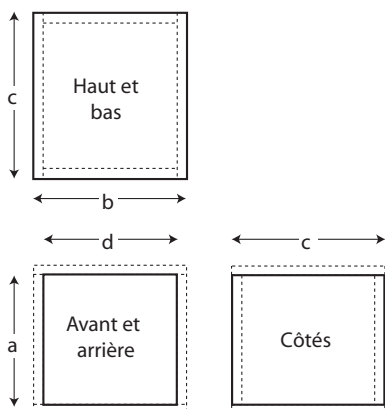
B =

C =

— Épaisseur parois —

Avant =

Côtés =



—Éléments du caisson —

Forme du caisson : prisme carré

1 haut, 1 bas

profondeur (c) =

largeur (b) =

épaisseur =

1 avant, 1 arrière

hauteur (a) =

largeur (d) =

épaisseur =

2 côtés

hauteur (a) =

profondeur (c) =

épaisseur =

— Montage du haut-parleur —

Montage : Avant

**Propriétés du caisson**

— Description —

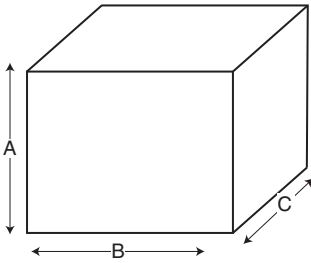
Type : Caisson à évent accordé  
 Forme : Prisme, carré

— Paramètres du caisson —

Vb =  
 V(total) =  
 Qtc =  
 QL =  
 F3 =  
 Remplissage =

— Événements —

Nb d'événements =  
 Forme événement = rond  
 Extrémité événement = une affleurante  
 Dv =  
 Lv =



— Dimensions externes —

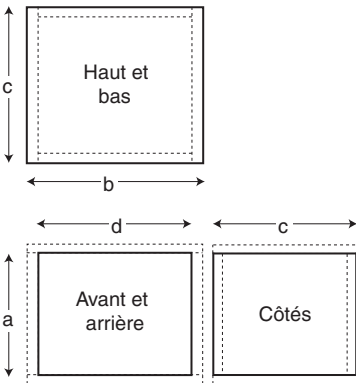
A =  
 B =  
 C =

— Dimensions internes —

A =  
 B =  
 C =

— Épaisseur parois —

Avant =  
 Côtés =



—Éléments du caisson —

Forme du caisson : prisme carré

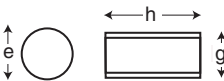
1 haut, 1 bas  
 profondeur (c) =  
 largeur (b) =  
 épaisseur =

1 avant, 1 arrière  
 hauteur (a) =  
 largeur (d) =  
 épaisseur =

2 côtés  
 hauteur (a) =  
 profondeur (c) =  
 épaisseur =

— Montage du haut-parleur —

Montage : Avant



— Éléments de l'évent —

1 gaine :  
 diamètre extérieur (e) =  
 diamètre intérieur (g) =  
 longueur (h) =

## INSTALACIÓN

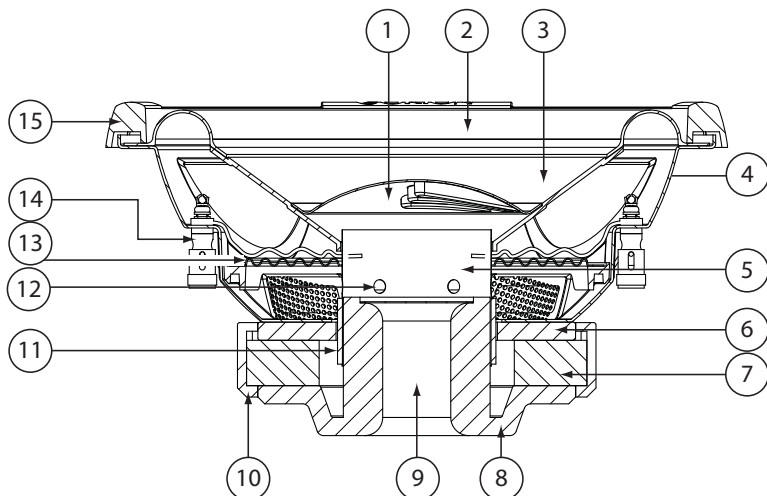
El rendimiento de estos subwoofers XTR es directamente proporcional a la calidad de la instalación. El cuidado que se tenga durante el proceso de instalación será recompensado con muchos años de rendimiento satisfactorio. Si no está seguro de sus capacidades de instalación, pídale asistencia técnica al distribuidor autorizado local de Orion. Los distribuidores de Orion son profesionales capacitados que se dedican a extraer el rendimiento máximo de los sistemas Orion. Si decide instalar este sistema de altavoces usted mismo, lea toda la sección sobre cajas selladas y ventiladas antes de comenzar la instalación.

## UBICACIONES DE MONTAJE DE LOS ALTAVOCES

Escoger la ubicación correcta de los altavoces tendrá un efecto máximo en la calidad del sonido del sistema. Es necesario que usted tenga en cuenta varias consideraciones cuando escoja el lugar que mejor se adapte a sus necesidades. Los lugares escogidos deben ser lo suficientemente grandes como para que quepan los altavoces. Es necesario que en la ubicación escogida no se afecte ninguna operación mecánica o eléctrica del vehículo.

Determinar la mejor ubicación de los altavoces depende de sus necesidades cosméticas y del interior del vehículo. Por lo general, los woofers se instalan en el maletero, el asiento trasero o la parte de atrás del vehículo.

# CARACTERÍSTICAS



1	Tapa de polipropileno contra el polvo; resistente a la humedad y a los rayos ultravioleta.
2	Envolvente de Goma de Butadieno de Nitrilo (NBR) para grandes desplazamientos lineales controlados.
3	Cono de papel resistente a la humedad y los rayos ultravioleta.
4	Armazón de acero troquelado a la medida.
5	Formador de bobina acústica de aluminio ventilado (formador de bobina acústica de 2.5 plg.).
6	Plancha delantera de acero de 8 mm.
7	2 imanes grandes de cerámica de 2 pilas.
8	Unidad de yugo en T de pieza polar y plancha trasera de acero de 8 mm.
9	Respiradero de 1.125 plg. Parte del sistema mejorado de enfriamiento de bobina acústica (convección forzada).
10	Protector de imán de PVC.
11	Dos bobinas acústicas de alta temperatura de cobre de $2\Omega$ o de $4\Omega$ .
12	Respiradero en el formador de la bobina acústica. Parte del sistema mejorado de enfriamiento de bobina acústica (convección forzada).
13	Dos arañas Conex entrelazadas con conductores de oropel bordado y enlazado.
14	Bloques de terminales a la medida.
15	Anillo de guarnición de Acrilonitrilo Butadieno Estireno (ABS).

# CONFIGURACIONES DE CABLEADO

## En serie: un altavoz (dos bobinas acústicas de 2 $\Omega$ )

Vea la figura 2 en la página 4

Un woofer con dos bobinas acústicas de 2  $\Omega$  y las bobinas acústicas en serie produce una carga de 4  $\Omega$  en el amplificador.

1. Conecte el woofer en serie conectando la terminal negativa (-) de una de las bobinas a la terminal positiva (+) de la otra bobina.
2. Conecte la terminal positiva (+) de la primera bobina a la terminal positiva (+) del amplificador. Conecte la terminal negativa (-) de la segunda bobina a la terminal negativa (-) del amplificador.

## En paralelo: un altavoz (dos bobinas acústicas de 2 $\Omega$ )

Vea la figura 3 en la página 4

Un woofer con 2 bobinas acústicas de 2  $\Omega$  y las bobinas acústicas en paralelo produce una carga de 1  $\Omega$  en el amplificador.

1. Conecte el woofer en paralelo conectando las dos terminales positivas (+) entre sí y las dos terminales negativas (-) entre sí.
2. Conecte las terminales positivas (+) del woofer a la terminal positiva (+) del amplificador. Conecte las terminales negativas (-) del woofer a la terminal negativa (-) del amplificador.

## En paralelo: un altavoz (dos bobinas acústicas de 4 $\Omega$ )

Vea la figura 4 en la página 5

Un woofer con 2 bobinas acústicas de 4  $\Omega$  y las bobinas acústicas en paralelo produce una carga de 2  $\Omega$  en el amplificador.

1. Conecte el woofer en paralelo conectando las dos terminales positivas (+) entre sí y las dos terminales negativas (-) entre sí.
2. Conecte las terminales positivas (+) del woofer a la terminal positiva (+) del amplificador. Conecte las terminales negativas (-) del woofer a la terminal negativa (-) del amplificador.

## En paralelo: dos altavoces (dos bobinas acústicas de 4 $\Omega$ cada uno)

Vea la figura 5 en la página 6

Dos woofers con dos bobinas acústicas de 4  $\Omega$  cada uno, las bobinas acústicas en paralelo y los woofers en paralelo, producen una carga de 1  $\Omega$  en el amplificador.

1. Conecte los woofers en paralelo conectando las cuatro terminales positivas (+) entre sí y las cuatro terminales negativas (-) entre sí.
2. Conecte las terminales positivas (+) de los woofers a la terminal positiva (+) del amplificador. Conecte las terminales negativas (-) de los woofers a la terminal

negativa (-) del amplificador.

### **En serie/paralelo: dos altavoces (dos bobinas acústicas de $2 \Omega$ cada uno)**

Vea la figura 6 en la página 7

**Nota: Verifique y asegúrese de que el cableado del woofer es como se muestra: la terminal negativa de la bobina de un woofer conectada a la terminal positiva de la bobina del otro woofer.**

Dos woofers con dos bobinas acústicas de  $2 \Omega$  cada uno, las bobinas acústicas en serie y los 2 woofers en paralelo, producen una carga de  $2 \Omega$  en el amplificador.

1. Conecte cada woofer en serie conectando la terminal negativa (-) de una bobina a la terminal positiva (+) de la otra bobina.
2. Conecte la terminal positiva (+) de la primera bobina de cada woofer a la terminal positiva (+) del amplificador. Conecte la terminal negativa (-) de la segunda bobina de cada woofer a la terminal negativa (-) del amplificador.

### **En serie/paralelo: tres altavoces (dos bobinas acústicas de $4 \Omega$ cada uno)**

Vea la figura 7 en la página 8

**Nota: Verifique y asegúrese de que el cableado del woofer es como se muestra: la terminal negativa de la bobina de un woofer conectada a la terminal positiva de la bobina del otro woofer.**

Tres woofers con dos bobinas acústicas de  $4 \Omega$  cada uno, las bobinas acústicas en serie y los 3 woofers en paralelo, producen una carga de  $2.67 \Omega$  en el amplificador.

1. Conecte cada woofer en serie conectando la terminal negativa (-) de una bobina a la terminal positiva (+) de la otra bobina.
2. Conecte la terminal positiva (+) de la primera bobina de cada woofer a la terminal positiva (+) del amplificador. Conecte la terminal negativa (-) de la segunda bobina de cada woofer a la terminal negativa (-) del amplificador.

### **En serie/paralelo: tres altavoces (dos bobinas acústicas de $2 \Omega$ cada uno)**

Vea la figura 8 en la página 9

**Nota: Verifique y asegúrese de que el cableado del woofer es como se muestra: la terminal negativa de la bobina de un woofer conectada a la terminal positiva de la bobina del otro woofer.**

Tres woofers con dos bobinas acústicas de  $2 \Omega$  cada uno, las bobinas acústicas en serie y los 3 woofers en paralelo, producen una carga de  $1.33 \Omega$  en el amplificador.

1. Conecte cada woofer en serie conectando la terminal negativa (-) de una bobina a la terminal positiva (+) de la otra bobina.
2. Conecte la terminal positiva (+) de la primera bobina de cada woofer a la terminal positiva (+) del amplificador. Conecte la terminal negativa (-) de la segunda bobina de cada woofer a la terminal negativa (-) del amplificador.

## En serie/paralelo: cuatro altavoces (dos bobinas acústicas de 4 $\Omega$ cada uno)

Vea la figura 9 en la página 10

**Nota: Verifique y asegúrese de que el cableado del woofer es como se muestra: la terminal negativa de la bobina de un woofer conectada a la terminal positiva de la bobina del otro woofer.**

Cuatro woofers con dos bobinas acústicas de 4  $\Omega$  cada uno, las bobinas acústicas en serie y los 4 woofers en paralelo, producen una carga de 2  $\Omega$  en el amplificador.

1. Conecte cada woofer en serie conectando la terminal negativa (-) de una bobina a la terminal positiva (+) de la otra bobina.
2. Conecte la terminal positiva (+) de la primera bobina de cada woofer a la terminal positiva (+) del amplificador. Conecte la terminal negativa (-) de la segunda bobina de cada woofer a la terminal negativa (-) del amplificador.

## En serie / paralelo: cuatro altavoces (dos bobinas acústicas de 2 $\Omega$ cada uno)

Vea la figura 10 en la página 11

**Nota: Verifique y asegúrese de que el cableado del woofer es como se muestra: la terminal negativa de la bobina de un woofer conectada a la terminal positiva de la bobina del otro woofer.**

Cuatro woofers con dos bobinas acústicas de 2  $\Omega$  cada uno, las bobinas acústicas en serie y los 4 woofers en paralelo, producen una carga de 1  $\Omega$  en el amplificador.

1. Conecte cada woofer en serie conectando la terminal negativa (-) de una bobina a la terminal positiva (+) de la otra bobina.
2. Conecte la terminal positiva (+) de la primera bobina de cada woofer a la terminal positiva (+) del amplificador. Conecte la terminal negativa (-) de la segunda bobina de cada woofer a la terminal negativa (-) del amplificador.

## 2 amplificadores: un altavoz (dos bobinas acústicas de 2 $\Omega$ )

Vea la figura 11 en la página 12

Un woofer con 2 bobinas acústicas de 2  $\Omega$  y cada bobina acústica conectada a su propio amplificador produce una carga de 2  $\Omega$  en cada amplificador.

1. Conecte la terminal positiva (+) y la terminal negativa (-) de una de las bobinas del altavoz a la terminal positiva (+) y la terminal negativa (-) correspondientes de uno de los amplificadores.
2. Conecte la terminal positiva (+) y la terminal negativa (-) de la otra bobina del altavoz a la terminal positiva (+) y la terminal negativa (-) correspondientes del otro amplificador.

## 2 amplificadores: un altavoz (dos bobinas acústicas de 4 $\Omega$ )

Vea la figura 12 en la página 13

Un woofer con 2 bobinas acústicas de  $4\ \Omega$  y cada bobina acústica conectada a su propio amplificador produce una carga de  $4\ \Omega$  en cada amplificador.

1. Conecte la terminal positiva (+) y la terminal negativa (-) de una de las bobinas del altavoz a la terminal positiva (+) y la terminal negativa (-) correspondientes de uno de los amplificadores.
2. Conecte la terminal positiva (+) y la terminal negativa (-) de la otra bobina del altavoz a la terminal positiva (+) y la terminal negativa (-) correspondientes del otro amplificador.

## ESPECIFICACIONES

Traducción de las especificaciones, vea las páginas 14 y 15 para más detalles

Modelo / N° de pieza	XTR###
Tamaño	
<b>Parámetros Thiele/Small</b>	
Fs (resonancia al aire libre, Hz)	
Vas (cumplimiento de equivalencia, pies <sup>3</sup> )	
Vas (cumplimiento de equivalencia, litros)	
Qms (Q, mecánico)	
Qes (Q, eléctrico)	
Qts (Q total del excitador)	
Re (resistencia CC, $\Omega$ )	
Z (impedancia nominal, $\Omega$ )	
Le (inductancia, mH)	
Eficiencia (1 W a 1 m, dB)	
Xmax (desplazamiento lineal de ida, plg.)	
Xmax (desplazamiento lineal de ida, mm)	
Pe (procesamiento continuo de potencia, W)	
Procesamiento máximo de potencia (música, W)*	
Mms (masa total en movimiento, g)	
Cms (cumplimiento mecánico, mm/N)	
Bl (fuerza del motor, Tesla-m)	
Sd (área de radiación efectiva, cm <sup>2</sup> )	
Sd (área de radiación efectiva, plg. <sup>2</sup> )	
Gama de frecuencias (Hz)	
Producto ancho de banda energía (EBP)**	
<b>Dimensiones físicas del excitador</b>	
Desplazamiento del altavoz (pies <sup>3</sup> )	
Diámetro externo del altavoz (plg./mm)	
Diámetro del agujero de montaje (plg./mm)	



Profundidad de montaje (plg./mm)	
Peso del imán (oz.)	
Diámetro de la canasta (plg./mm)	
<b>Cajas recomendadas</b>	
Caja sellada normal (pies <sup>3</sup> )	
Caja ventilada (pies <sup>3</sup> )***	
Frecuencia de sintonización del puerto (Hz)	
Equivalente cuadrado del puerto (plg.)	
Longitud del puerto (plg.)	

Especificaciones sujetas a cambio sin aviso previo

#### DETALLES DE LA CAJA

1. Los parámetros indicados son sólo para aplicaciones convencionales. Si necesita más asistencia, llame a Apoyo Técnico de Sonido.
2. Se recomienda MDF de 0.75 plg (19mm). de grosor.
3. Los volúmenes de caja recomendados son NETOS. El desplazamiento del altavoz y del puerto se incluyen en el volumen de la caja. No es necesario agregarlos para calcular el volumen BRUTO de la caja.

#### NOTAS:

- \* Debido a las capacidades de alta potencia y gran desplazamiento lineal de estos woofers, los parámetros Thiele/Small se calculan y se miden con un sistema analizador Klippel.
- \*\* El Producto Ancho de Banda Energía (Energy Bandwidth Product, EBP) se determina por medio de la siguiente fórmula:  $F_s/Q_{es} = EBP$ . Los valores EBP de menos de 50 sugieren caja sellada; de 50 a 90, subwoofer versátil; más de 90, caja con ventilación.
- \*\*\* Se deben utilizar siempre filtros subsónicos ajustados específicamente al diseño de la caja ventilada.

# EXPLICACIÓN DE LAS ESPECIFICACIONES DE LAS CAJAS

Hay muchos factores que contribuyen a determinar el mejor estilo de caja para usted o su vehículo. A continuación se presentan algunos factores que se deben tener en cuenta.

El tamaño de la caja es directamente proporcional a la eficiencia y el procesamiento de potencia del altavoz. Un woofer en una caja pequeña procesa más potencia que el mismo woofer en una caja grande. La eficiencia es exactamente lo contrario: una caja grande reproduce frecuencias más bajas a mayor volumen con menos potencia que una caja pequeña.

El siguiente diseño de caja sellada da la mejor calidad de sonido en general. El tamaño de la caja que se debe utilizar depende de la potencia y del tipo de vehículo en que se va a instalar. Las cajas grandes son mejores si se tiene poca potencia (de 25% a 50% del procesamiento de potencia del altavoz), el vehículo es grande o se desea mayor salida. Las cajas pequeñas se deben utilizar si se tiene la potencia recomendada (de 50% a 100% del procesamiento de potencia nominal del altavoz), el vehículo es pequeño (alta amplificación) o se desea reproducción de sonido más precisa. Las cajas selladas pequeñas dan más control, lo cual se traduce en bajos más rápidos y precisos.

Las cajas con ventilación tienen más eficiencia y más salida de bajos en comparación con las selladas. La caja ventilada aprovecha la onda de sonido trasera (el sonido que sale por la parte de atrás del cono) para reforzar la salida del altavoz. Una caja correctamente sintonizada produce amplificación en todo el ancho de banda del sistema de subwoofer y mayor control de cono que una caja sellada. La caja sintonizada a baja frecuencia produce menos amplificación general, pero más extensión (bajos más bajos). La caja sintonizada a alta frecuencia produce más amplificación, pero limita la respuesta de bajos del sistema. Una de las ventajas de la caja con ventilación es que se puede sintonizar a una frecuencia específica y esa frecuencia se conoce como  $F_b$ . Otra de las especificaciones importantes de la caja es la frecuencia de traspaso,  $F_3$ , en la que la respuesta del excitador ha bajado 3 dB. Este es un número importante cuando se trata de ajustar el filtro de pasaaltas del ORION IntelliQ. El IntelliQ debe tener la frecuencia  $F_3$  para evitar dañar o sobrecargar el altavoz.

La buena planificación y la construcción correcta garantizan la mejor respuesta posible del sistema. En las siguientes páginas se presentan diversas cajas y diseños que permiten que los subwoofers XTR se desempeñen de la mejor manera posible.

# RECOMENDACIONES PARA LA CAJA

## Detalles de la caja

1. Las dimensiones externas se han calculado para un material de construcción de  $\frac{3}{4}$  plg. de grosor
2. Incluye el desplazamiento del altavoz
3. Los volúmenes que se dan son volúmenes de sintonización neta
4. Las cajas contienen una cantidad mínima de material amortiguador. Se necesita sólo material suficiente para recubrir la superficie interna de la caja.

Traducción del diagrama de la caja sellada (las medidas se encuentran en las páginas 18, 20 y 22))

### Propiedades de la caja

— Descripción —

Tipo: caja cerrada

Forma: prisma cuadrado

— Parámetros de la caja —

Vb =

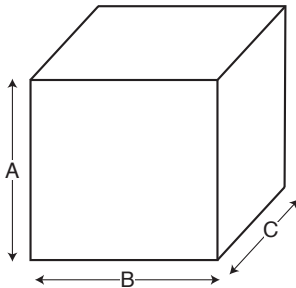
V(total) =

Qtc =

QL =

F3 =

Fill =



— Dimensiones externas —

A =

B =

C =

— Dimensiones internas —

A =

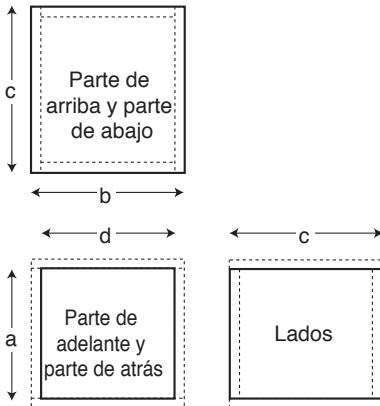
B =

C =

— Grosor de la pared —

Parte de adelante =

Lados =



— Partes de la caja —

Forma de la caja: prisma cuadrado

1 parte de arriba, 1 parte de abajo

fondo (c) =

ancho (b) =

grosor =

1 parte de adelante, 1 parte de atrás

alto (a) =

ancho (d) =

grosor =

2 lados

alto (a) =

fondo (c) =

grosor =

— Montaje del excitador —

Montaje: adelante

**Propiedades de la caja**

— Descripción —

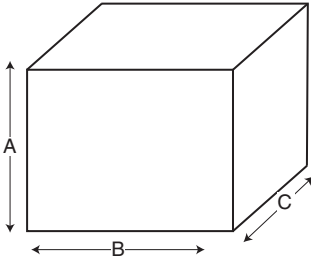
Tipo: caja con respiradero  
 Forma: prisma cuadrado

— Parámetros de la caja —

Vb =  
 V(total) =  
 Fb =  
 QL =  
 F3 =  
 Fill =

— Respiraderos —

Nº de respiraderos =  
 Forma del respiradero = redondo  
 Extremos del respiradero = uno al ras  
 Dv =  
 Lv =



— Dimensiones externas —

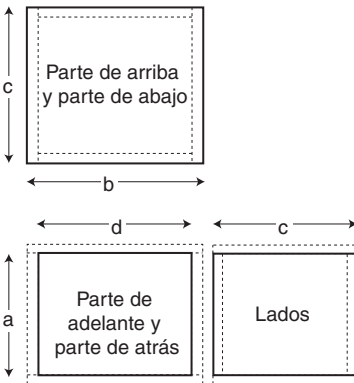
A =  
 B =  
 C =

— Dimensiones internas —

A =  
 B =  
 C =

— Grosor de la pared —

Parte de adelante =  
 Lados =



— Partes de la caja —

Forma de la caja: prisma cuadrado

1 parte de arriba, 1 parte de abajo

fondo (c) =  
 ancho (b) =  
 grosor =

1 parte de adelante, 1 parte de atrás

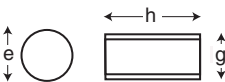
alto (a) =  
 ancho (d) =  
 grosor =

2 lados

alto (a) =  
 fondo (c) =  
 grosor =

— Montaje del excitador —

Montaje: adelante



— Partes del respiradero —

1 conducto:

diámetro externo (e) =

diámetro interno (g) =

largo (h) =

## INSTALLATION

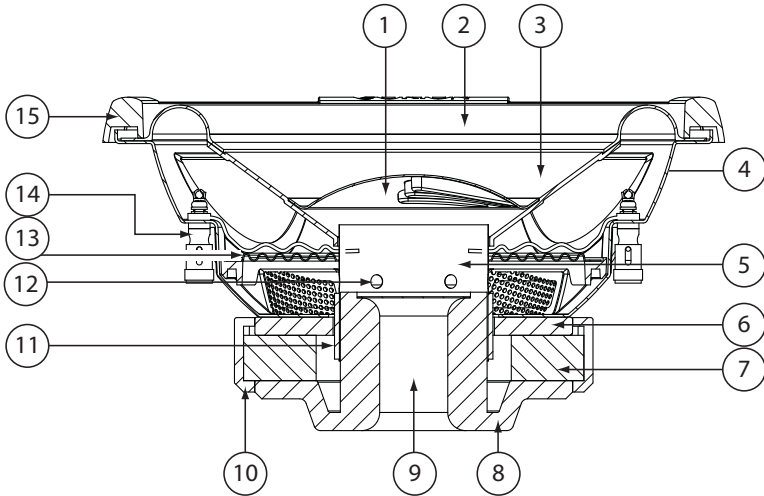
Die Leistung dieser XTR-Subwoofer hängt direkt von der Qualität der Installation ab. Ein sorgfältiges Vorgehen bei der Installation garantiert Ihnen jahrelange Höchstleistungen. Wenn Sie sich nicht sicher sind, ob Sie die Installation selbst ausführen können, wenden Sie sich bitte an Ihren örtlichen Orion-Fachhändler. Orion-Händler haben ausgebildetes Fachpersonal, das aus Ihrem Orion-System das Maximum an Leistung herausholen kann. Wenn Sie dieses Lautsprechersystem selbst installieren wollen, sollten Sie vor Beginn der Installation den gesamten Abschnitt über geschlossene Gehäuse und Bassreflexgehäuse durchlesen.

## SO PLATZIEREN SIE DIE LAUTSPRECHER

Die Wahl der korrekten Lautsprecherposition hat große Auswirkungen auf die Soundqualität des Systems. Bei der Wahl der Lautsprecherposition, die Ihren Ansprüchen am besten entspricht, sind mehrere Faktoren zu beachten. Es muss an der Stelle genügend Platz für den Lautsprecher vorhanden sein. Sie müssen sicherstellen, dass die gewählte Stelle die mechanischen oder elektrischen Funktionen des Fahrzeugs nicht beeinträchtigt.

Die Wahl der geeigneten Einbaustelle hängt sowohl von ästhetischen Faktoren als auch vom Innenraum Ihres Fahrzeugs ab. Normalerweise werden die Tieftöner im Kofferraum, im Rücksitz oder im hinteren Teil des Fahrzeugs installiert.

# HÖHEPUNKTE



1	Feuchtigkeits- und UV-beständige Polypropylen-Abdeckung
2	Extra große Sicke aus NBR (Nitrilgummi) für linear kontrollierten Langhub
3	Feuchtigkeits- und UV-beständige Papiermembran
4	Spezieller Stahlblechrahmen
5	Aluminium-Schwingspulenträger mit Öffnungen (2,5-Zoll—Schwingspulenträger)
6	8-mm dickes vorderes Abdeckblech
7	Große Double-Stack-Keramikmagneten
8	8-mm dickes hinteres Abdeckblech/Polplatten-T-Stück
9	1,125-Zoll-Öffnung. Teil des verbesserten Schwingspulen-Kühlsystems (Zwangs-Konvektion)
10	PVC-Magnetschutz
11	Hochtemperatur-Kupferschwingspule (doppelt 2 Ohm oder doppelt 4 Ohm)
12	Belüftung des Schwingspulenträgers. Teil des verbesserten Schwingspulen-Kühlsystems (Zwangs-Konvektion)
13	Doppelte verknüpfte Conex-Zentriermembran mit gehefteten und geschleiften Zuleitungslitzen
14	Spezielle Anschlussleisten
15	ABS-Blendenring.

# SCHALTKONFIGURATIONEN

## **Reihe — Ein Lautsprecher (Doppelte 2-Ohm-Schwingspulen)**

Siehe Abbildung 2 auf Seite 4

Ein Tieftöner mit doppelten 2-Ohm-Schwingspulen, bei dem die Schwingspulen in Reihe geschaltet sind: Lastwiderstand von 4 Ohm am Verstärker.

1. Schließen Sie den Tieftöner in Reihe an, indem Sie das negative (-) Terminal der einen Tieftöner-Schwingspule mit dem positiven (+) Terminal der anderen Spule verbinden.
2. Verbinden Sie das positive (+) Terminal der ersten Tieftöner-Schwingspule mit dem positiven (+) Terminal am Verstärker. Verbinden Sie das negative (-) Terminal der zweiten Tieftöner-Schwingspule mit dem negativen (-) Terminal am Verstärker.

## **Parallel — Ein Lautsprecher (Doppelte 2-Ohm-Schwingspulen)**

Siehe Abbildung 3 auf Seite 4

Ein Tieftöner mit doppelten 2-Ohm-Schwingspulen, bei dem die Schwingspulen parallel geschaltet sind: Lastwiderstand von 1 Ohm am Verstärker.

1. Schließen Sie den Lautsprecher parallel an, indem Sie jeweils die beiden positiven (+) Terminals und die beiden negativen (-) Terminals miteinander verbinden.
2. Verbinden Sie die positiven (+) Terminals des Tieftöners mit dem positiven (+) Terminal am Verstärker. Verbinden Sie das negative (-) Terminal des Tieftöners mit dem negativen (-) Terminal am Verstärker.

## **Parallel — Ein Lautsprecher (Doppelte 4-Ohm-Schwingspulen)**

Siehe Abbildung 4 auf Seite 5

Ein Tieftöner mit doppelten 4-Ohm-Schwingspulen, bei dem die Schwingspulen parallel geschaltet sind: Lastwiderstand von 2 Ohm am Verstärker.

1. Schließen Sie den Lautsprecher parallel an, indem Sie jeweils die beiden positiven (+) Terminals und die beiden negativen (-) Terminals miteinander verbinden.
2. Verbinden Sie die beiden positiven (+) Terminals des Tieftöners mit dem positiven (+) Terminal am Verstärker. Verbinden Sie die beiden negativen (-) Terminals des Tieftöners mit dem negativen (-) Terminal am Verstärker.

## **Parallel — Zwei Lautsprecher (doppelte 4-Ohm-Schwingspulen)**

Siehe Abbildung 5 auf Seite 6

Zwei Tieftöner mit doppelten 4-Ohm-Schwingspulen, wobei die Schwingspulen und die beiden Tieftöner parallel geschaltet sind: Lastwiderstand von 1 Ohm am Verstärker.

1. Schließen Sie den Lautsprecher parallel an, indem Sie jeweils die vier positiven (+) Terminals und die vier negativen (-) Terminals miteinander verbinden.

2. Verbinden Sie die positiven (+) Terminals der Tieftöner mit dem positiven (+) Terminal am Verstärker. Verbinden Sie die negativen (-) Terminals der Tieftöner mit dem negativen (-) Terminal am Verstärker.

### **Reihe/Parallel — Zwei Lautsprecher (doppelte 2-Ohm-Schwingspulen)**

Siehe Abbildung 6 auf Seite 7

**Hinweis: Stellen Sie sicher, dass die Tieftöneranschlüsse wie gezeigt vorgenommen wurden, wobei der negative Anschluss an der ersten Tieftöner-Schwingspule mit dem positiven Anschluss an der zweiten Tieftöner-Schwingspule verbunden ist.**

Zwei Tieftöner mit doppelten 2-Ohm-Schwingspulen, wobei die Schwingspulen in Reihe und dann die beiden Tieftöner parallel geschaltet sind: Lastwiderstand von 2 Ohm am Verstärker.

1. Schließen Sie jeden Tieftöner in Reihe an, indem Sie das negative (-) Terminal der ersten Schwingspule mit dem positiven (+) Terminal der zweiten Spule verbinden.
2. Verbinden Sie das positive (+) Terminal der ersten Schwingspule am jeweiligen Tieftöner mit dem positiven (+) Terminal am Verstärker. Verbinden Sie das negative (-) Terminal der zweiten Schwingspule am jeweiligen Tieftöner mit dem negativen (-) Terminal am Verstärker.

### **Reihe/Parallel — Drei Lautsprecher (doppelte 4-Ohm-Schwingspulen)**

Siehe Abbildung 7 auf Seite 8

**Hinweis: Stellen Sie sicher, dass die Tieftöneranschlüsse wie gezeigt vorgenommen wurden, wobei der negative Anschluss an der ersten Tieftöner-Schwingspule mit dem positiven Anschluss an der zweiten Tieftöner-Schwingspule verbunden ist.**

Drei Tieftöner mit doppelten 4-Ohm-Schwingspulen, wobei die Schwingspulen jedes Tieftöners in Reihe und dann die drei Tieftöner parallel geschaltet wurden: Lastwiderstand von 2,67 Ohm am Verstärker.

1. Schließen Sie jeden Tieftöner in Reihe an, indem Sie das negative (-) Terminal der ersten Schwingspule mit dem positiven (+) Terminal der zweiten Spule verbinden.
2. Verbinden Sie das positive (+) Terminal der jeweils ersten Tieftöner-Schwingspule mit dem positiven (+) Terminal am Verstärker. Verbinden Sie das negative (-) Terminal der jeweils zweiten Tieftöner-Schwingspule mit dem negativen (-) Terminal am Verstärker.

### **Reihe/Parallel — Drei Lautsprecher (doppelte 2-Ohm-Schwingspulen)**

Siehe Abbildung 8 auf Seite 9

**Hinweis: Stellen Sie sicher, dass die Tieftöneranschlüsse wie gezeigt vorgenommen wurden, wobei der negative Anschluss an der ersten Tieftöner-Schwingspule mit dem positiven Anschluss an der zweiten Tieftöner-Schwingspule verbunden ist.**

Drei Tieftöner mit doppelten 2-Ohm-Schwingspulen, wobei die Schwingspulen jedes Tieftöners in Reihe und dann die drei Tieftöner parallel geschaltet wurden:



Lastwiderstand von 1,33 Ohm am Verstärker.

1. Schließen Sie jeden Tieftöner in Reihe an, indem Sie das negative (-) Terminal der ersten Schwingspule mit dem positiven (+) Terminal der zweiten Spule verbinden.
2. Verbinden Sie das positive (+) Terminal der jeweils ersten Tieftöner-Schwingspule mit dem positiven (+) Terminal am Verstärker. Verbinden Sie das negative (-) Terminal der jeweils zweiten Tieftöner-Schwingspule mit dem negativen (-) Terminal am Verstärker.

### **Reihe/Parallel — Vier Lautsprecher (doppelte 4-Ohm-Schwingspulen)**

Siehe Abbildung 9 auf Seite 10

**Hinweis: Stellen Sie sicher, dass die Tieftöneranschlüsse wie gezeigt vorgenommen wurden, wobei der negative Anschluss an der ersten Tieftöner-Schwingspule mit dem positiven Anschluss an der zweiten Tieftöner-Schwingspule verbunden ist.**

Vier Tieftöner mit doppelten 4-Ohm-Schwingspulen sollten so angeschlossen werden, dass die Schwingspulen an jedem Tieftöner in Reihe geschaltet und dann die vier Tieftöner parallel geschaltet werden: Lastwiderstand von 2 Ohm am Verstärker.

1. Schließen Sie jeden Tieftöner in Reihe an, indem Sie das negative (-) Terminal der ersten Schwingspule mit dem positiven (+) Terminal der zweiten Spule verbinden.
2. Verbinden Sie die positiven (+) Terminals der ersten Schwingspule am jeweiligen Tieftöner mit dem positiven (+) Terminal am Verstärker. Verbinden Sie das negative (-) Terminal der zweiten Schwingspule am jeweiligen Tieftöner mit dem negativen (-) Terminal am Verstärker.

### **Reihe/Parallel — Vier Lautsprecher (doppelte 2-Ohm-Schwingspulen)**

Siehe Abbildung 10 auf Seite 11

**Hinweis: Stellen Sie sicher, dass die Tieftöneranschlüsse wie gezeigt vorgenommen wurden, wobei der negative Anschluss an der ersten Tieftöner-Schwingspule mit dem positiven Anschluss an der zweiten Tieftöner-Schwingspule verbunden ist.**

Vier Tieftöner mit doppelten 2-Ohm-Schwingspulen sollten so angeschlossen werden, dass die Schwingspulen an jedem Tieftöner in Reihe geschaltet und dann die vier Tieftöner parallel geschaltet werden: Lastwiderstand von 1 Ohm am Verstärker.

1. Schließen Sie jeden Tieftöner in Reihe an, indem Sie das negative (-) Terminal der ersten Schwingspule mit dem positiven (+) Terminal der zweiten Spule verbinden.
2. Verbinden Sie die positiven (+) Terminals der ersten Schwingspule am jeweiligen Tieftöner mit dem positiven (+) Terminal am Verstärker. Verbinden Sie das negative (-) Terminal der zweiten Schwingspule am jeweiligen Tieftöner mit dem negativen (-) Terminal am Verstärker.

### **2 Verstärker — Ein Lautsprecher (Doppelte 2-Ohm-Schwingspulen)**

Siehe Abbildung 11 auf Seite 12

Ein Tieftöner mit doppelten 2-Ohm-Schwingspulen, bei dem jede Schwingspule an einen separaten Verstärker angeschlossen ist: Lastwiderstand von 2 Ohm am Verstärker.

1. Schließen Sie eine der Schwingspulen des Lautsprechers an den ersten Verstärker an, indem Sie das positive (+) und negative (-) Terminal am Lautsprecher mit dem entsprechenden positiven (+) und negativen (-) Terminal am ersten Verstärker verbinden.
2. Schließen Sie die andere Schwingspule des Lautsprechers an den zweiten Verstärker an, indem Sie das positive (+) und negative (-) Terminal am Lautsprecher mit dem entsprechenden positiven (+) und negativen (-) Terminal am zweiten Verstärker verbinden.

## 2 Verstärker — Ein Lautsprecher (Doppelte 4-Ohm-Schwingspulen)

Siehe Abbildung 12 auf Seite 13

Ein Tieftöner mit doppelten 4-Ohm-Schwingspulen, bei dem jede Schwingspule an einen separaten Verstärker angeschlossen ist: Lastwiderstand von 4 Ohm am Verstärker.

1. Schließen Sie eine der Schwingspulen des Lautsprechers an den ersten Verstärker an, indem Sie das positive (+) und negative (-) Terminal am Lautsprecher mit dem entsprechenden positiven (+) und negativen (-) Terminal am ersten Verstärker verbinden.
2. Schließen Sie die andere Schwingspule des Lautsprechers an den zweiten Verstärker an, indem Sie das positive (+) und negative (-) Terminal am Lautsprecher mit dem entsprechenden positiven (+) und negativen (-) Terminal am zweiten Verstärker verbinden.

# TECHNISCHE DATEN

Erklärung der Daten, Details siehe Seite 14 und 15.

Modell/Teilenummer	XTR###
Größe	
Thiele/Small-Parameter	
Fs (Freiluftresonanz, Hz)	
Vas (Äquivalente Nachgiebigkeit, Kubikfuß)	
Vas (Äquivalente Nachgiebigkeit, Liter)	
Qms (Q, mechanisch)	
Qes (Q, elektrisch)	
Qts (totaler Treiberwert für Q)	
Re (GS-Widerstand, Ohm)	
Z (Nennimpedanz, Ohm)	
Le (Induktivität, mh)	

Wirkungsgrad (1 W bei 1 M, dB)	
Xmax (linearer Hub in eine Richtung, Zoll)	
Xmax (linearer Hub in eine Richtung, mm)	
Pe (Dauerbelastbarkeit, Watt)	
Spitzenbelastbarkeit (Musik, Watt) *	
Mms (Bewegte Gesamtmasse, Gramm)	
Cms (mechanische Nachgiebigkeit, mm/N)	
Bl (Motorstärke, Tesla-M)	
Sd (effektiver Strahlbereich, Quadratzentimeter)	
Sd (effektiver Strahlbereich, Quadratzoll)	
Frequenzbereich (Hz)	
Verstärkungs-Bandbreitenprodukt (EBP) **	
<b>Abmessungen des Treibers</b>	
Lautsprecherhub (Kubikfuß)	
Lautsprecher-Außendurchmesser (Zoll/mm)	
Einbaulochdurchmesser (Zoll/mm)	
Einbautiefe (Zoll/mm)	
Magnetgewicht (Unzen)	
Korbdurchmesser (Zoll/mm)	
<b>Empfohlene Gehäuse</b>	
Typisches geschlossenes Gehäuse (Kubikfuß)	
Bassreflexgehäuse (Kubikfuß) ***	
Bassreflex-Tuningfrequenz (Hz)	
Bassreflex-Flächenäquivalenz (Zoll)	
Länge der Bassreflexöffnung (Zoll)	

Daten können ohne vorherige Ankündigung geändert werden

## GEHÄUSEDATAILS

1. Die aufgelisteten Parameter gelten nur für konventionelle Anwendungen. Um weitere Hilfe zu erhalten, rufen Sie bitte den Tech Audio Support an.
2. Es wird empfohlen, 1,9 cm dicke Faserplatten zu verwenden.
3. Die empfohlenen Gehäusegrößen sind NETTO-Volumen, wobei Lautsprecher- und Öffnungshub in das Gehäusevolumen einberechnet sind; Sie müssen diese Volumen nicht hinzuzählen, um das BRUTTO-Gehäusevolumen zu erhalten.

## HINWEISE:

- \* Aufgrund der hohen Belastbarkeit und großen Auslenkung dieser Tieftöner wurden die Thiele/Small-Parameter unter Verwendung eines Klippel-Analysesystems berechnet und gemessen.
- \*\* Das Verstärkungs-Bandbreitenprodukt (EBP) wird durch folgende Formel ermittelt:  $F_s/Q_{es} = EBP$ . EBP-Werte von 50 und darunter bedeuten, dass ein geschlossenes Gehäuse besser ist, 50 bis 90 bedeuten, dass ein Subwoofer angebracht wäre, und bei 90 und mehr empfehlen wir ein Bassreflexgehäuse.
- \*\*\* Subsonic-Filter sollten immer verwendet und speziell an Bassreflexgehäuse angepasst werden.

# ERLÄUTERUNG DER GEHÄUSEDATEN

Es gibt viele verschiedene Faktoren, die den besten Gehäusetypp für Sie bzw. Ihr Fahrzeug bestimmen. Unten finden Sie einige der Faktoren, die Sie in Betracht ziehen sollten.

Die Gehäusegröße ist direkt proportional zum Leistungsvermögen und zur Belastbarkeit des Lautsprechers. Ein Tieftöner in einem kleineren Gehäuse ist höher belastbar als derselbe Tieftöner in einem größeren Gehäuse. Das Gegenteil gilt für das Leistungsvermögen: ein größeres Gehäuse gibt tiefe Frequenzen lauter wieder (und mit weniger Stromverbrauch) als ein kleineres.

Das folgende geschlossene Gehäusedesign bietet generell die beste Soundqualität. Die zu verwendende Gehäusegröße hängt von der Leistung und Größe des Fahrzeugs ab, in das es eingebaut wird. Größere Gehäuse sind am besten geeignet, wenn Sie weniger Leistung zur Verfügung haben (25 % bis 50 % der Belastbarkeit des Lautsprechers), ein größeres Fahrzeug haben oder mehr Leistung wollen. Sie sollten ein kleineres Gehäuse verwenden, wenn Sie die empfohlene Leistung (50 % bis 100 % der Nennbelastbarkeit des Lautsprechers) besitzen, ein kleineres Fahrzeug (mit höherem Verstärkungsfaktor) haben oder eine präzisere Soundwiedergabe wünschen. Das kleinere geschlossene Gehäuse bietet mehr Kontrolle, was einen hörbar schnelleren und präziseren Bass ermöglicht.

Ein Bassreflexgehäuse bietet mehr Leistungsvermögen und einen stärkeren Tiefbass im Vergleich zu einem geschlossenen Gehäuse. Ein Bassreflexgehäuse verwendet die hintere Welle (Sound von der Rückseite der Membran), um die Lautsprecherleistung zu erhöhen. Ein richtig eingestelltes Gehäuse bietet eine Leistungsstärke über die gesamte Bandbreite des Subwoofersystems hinweg und mehr Membrankontrolle als ein geschlossenes Gehäuse. Eine niedrige Einstellung bietet weniger Gesamtverstärkung, aber eine stärkere Auslenkung (Tiefbass). Ein hoch eingestelltes Gehäuse bietet mehr Verstärkung, begrenzt aber den Tieffrequenzbereich des Systems. Einer der Vorteile eines Bassreflexgehäuses ist die Einstellung auf eine bestimmte Tuningfrequenz (als „Fb“ bezeichnet). Eine weitere wichtige Gehäusespezifikation ist „F3“, die Absenkungsfrequenz, bei der der Frequenzgang des Treibers um 3dB sinkt. Dieser Wert ist bei der Einstellung des Hochpassfilters oder Ihres ORION IntelliQ wichtig. Das IntelliQ sollte auf die Frequenz „F3“ eingestellt werden, da dies eine Beschädigung des Lautsprechers durch Überlastung verhindert.

Eine gute Planung und fachgemäße Konstruktion garantieren eine optimale Leistung Ihres Systems. Die nächsten Seiten beschreiben verschiedene Gehäuse und Designs, die die Leistung Ihrer XTR-Subwoofer verbessern.

# GEHÄUSEEMPFEHLUNGEN

## Gehäusedetails

1. Für Baumaterial mit  $\frac{3}{4}$  Zoll (1,9 cm) Dicke berechnete Außenmaße
2. Einschließlich Lautsprecherhub
3. Angegebene Volumen sind Netto-Tuningvolumen
4. Gehäuse besitzen ein Minimum an Dämpfungsmaterial. Es ist gerade genug Material zur Auskleidung der Innenseite des Gehäuses nötig.

Erklärung des Diagramms für geschlossene Gehäuse (Maße finden Sie auf S. 18, 20 und 22)

### Gehäuseeigenschaften

— Beschreibung —

Typ: Geschlossen

Form: Quader

— Gehäuseparameter —

Vb =

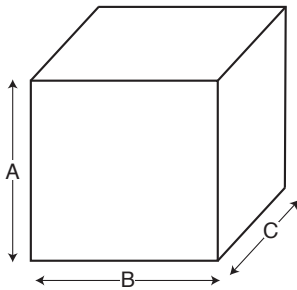
V(total) =

Qtc =

QL =

F3 =

Füllung =



— Außenmaße —

A =

B =

C =

— Innenmaße —

A =

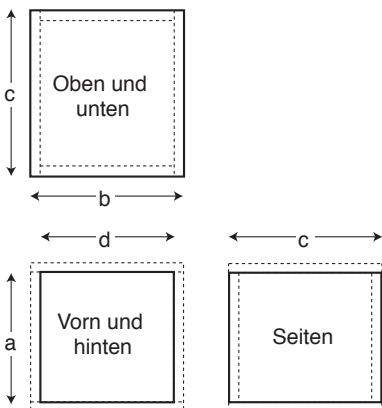
B =

C =

— Wandstärke —

Vorn =

Seiten =



—Gehäuseteile—

Gehäuseform – Quader

1 Oberseite, 1 Unterseite

Tiefe (c) =

Breite (b) =

Dicke =

1 Vorderseite, 1 Rückseite

Höhe (a) =

Breite (d) =

Dicke =

2 Seiten

Höhe (a) =

Tiefe (c) =

Dicke =

— Treibereinbau —

Einbau: Vorn

Erklärung des Diagramms für Bassreflexgehäuse (Maße finden Sie auf S. 19, 21 und 23)

**Gehäuseeigenschaften**

— Beschreibung —

Typ: Bassreflexbox

Form: Quader

— Gehäuseparameter —

Vb =

V(total) =

Fb =

QL =

F3 =

Füllung =

— Öffnungen —

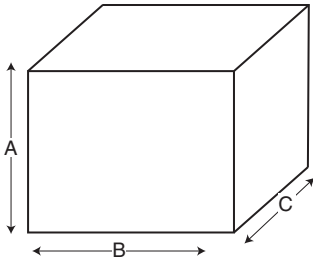
Zahl d. Öffnungen =

Form = Rund

1 bündige Öffnung =

Dv =

Lv =



— Außenmaße —

A =

B =

C =

— Innenmaße —

A =

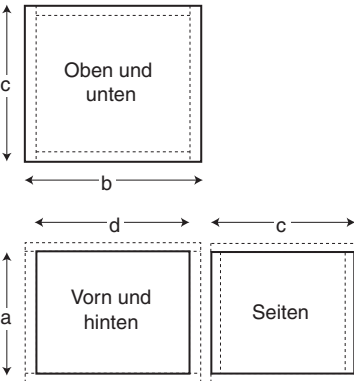
B =

C =

— Wandstärke —

Vorn =

Seiten =



— Gehäuseteile —

Gehäuseform – Quader

1 Oberseite, 1 Unterseite

Tiefe (c) =

Breite (b) =

Dicke =

1 Vorderseite, 1 Rückseite

Höhe (a) =

Breite (d) =

Dicke =

2 Seiten

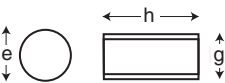
Höhe (a) =

Tiefe (c) =

Dicke =

— Treibereinbau —

Einbau: Vorn



— Öffnungsteile —

1 Kanal:

Außendurchmesser (e) =

Innendurchmesser (g) =

Länge (h) =

## INSTALLAZIONE

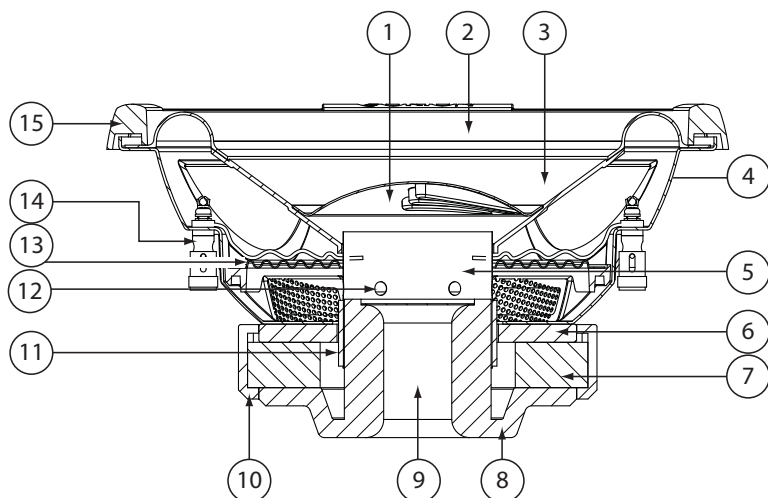
I risultati conseguibili con questi subwoofer XTR dipendono direttamente dalla qualità dell'installazione; eseguendola con cautela si avrà la certezza di ottenere un suono soddisfacente per anni e anni. Se non si è certi di poter eseguire l'installazione correttamente, rivolgersi al rivenditore Orion, che sarà in grado di fornire l'assistenza tecnica necessaria. Se si decide di installare personalmente questi altoparlanti, prima di iniziare leggere l'intera sezione relativa alle casse sigillate e ventilate.

## INDIVIDUAZIONE DEI PUNTI DI MONTAGGIO DEGLI ALTOPARLANTI

La scelta dei punti di montaggio degli altoparlanti ha la massima influenza sulla qualità del suono dell'impianto. Nello scegliere la collocazione che soddisfa meglio le proprie esigenze, occorre considerare diversi fattori: i punti prescelti devono offrire uno spazio sufficiente per gli altoparlanti, e al tempo stesso occorre accertarsi di non causare interferenze con il funzionamento dei componenti meccanici o elettrici del veicolo.

La scelta della posizione migliore per gli altoparlanti dipende dalle esigenze estetiche del proprietario e dalla configurazione dell'interno del veicolo. In genere i woofer vengono installati nel bagagliaio, presso il sedile posteriore o nella parte posteriore del veicolo.

# CARATTERISTICHE



1	Protezione parapolvere in polipropilene - resistente all'umidità e ai raggi ultravioletti.
2	Surround maggiorato in NBR (gomma nitrile butadiene) per lunga escursione lineare controllata.
3	Cono in carta - resistente all'umidità e ai raggi ultravioletti.
4	Telaio in acciaio stampato su misura.
5	Supporto della bobina mobile in alluminio ventilata (supporto da 6,4 cm).
6	Piastra anteriore in acciaio da 8 mm.
7	Due grandi magneti ceramici in cascata.
8	Piastra posteriore in acciaio da 8 mm/staffa a T per i poli.
9	Apertura da 19 mm. Parte del sistema migliorato di raffreddamento della bobina mobile (a convezione forzata).
10	Protezione del magnete in PVC.
11	Bobina mobile da 4 ohm o 2 ohm, doppia, in rame per alte temperature.
12	Aperture di ventilazione del supporto della bobina mobile. Parte del sistema migliorato di raffreddamento della bobina mobile (a convezione forzata).
13	Doppio centratore in Conex intrecciato con fili conduttori applicati e avvolti.
14	Morsettiere su misura.
15	Anello di finitura in plastica ABS.



# CONFIGURAZIONI DI CABLAGGIO

## **Un diffusore in serie (con due bobine mobili da 2 ohm)**

Vedi Figura 2 a pagina 4

Un woofer con due bobine mobili da 2 ohm collegate in serie, applica un carico di 4 ohm all'amplificatore.

1. Collegare il woofer in serie collegando il terminale negativo (-) di una bobina al terminale positivo (+) dell'altra bobina.
2. Collegare il terminale positivo (+) della prima bobina al terminale positivo (+) dell'amplificatore e il terminale negativo (-) della seconda bobina al terminale negativo (-) dell'amplificatore.

## **Un diffusore in parallelo (con due bobine mobili da 2 ohm)**

Vedi Figura 3 a pagina 4

Un woofer con due bobine mobili da 2 ohm collegate in parallelo, applica un carico di 1 ohm all'amplificatore.

1. Collegare il woofer in parallelo collegandone tra loro i due terminali positivi (+) e i due terminali negativi (-).
2. Collegare entrambi i terminali positivi (+) del woofer al terminale positivo (+) dell'amplificatore ed entrambi i terminali negativi (-) del woofer al terminale negativo (-) dell'amplificatore.

## **Un diffusore in parallelo (con due bobine mobili da 4 ohm)**

Vedi Figura 4 a pagina 5

Un woofer con due bobine mobili da 4 ohm collegate in parallelo, applica un carico di 2 ohm all'amplificatore.

1. Collegare il woofer in parallelo collegandone tra loro i due terminali positivi (+) e i due terminali negativi (-).
2. Collegare entrambi i terminali positivi (+) del woofer al terminale positivo (+) dell'amplificatore ed entrambi i terminali negativi (-) del woofer al terminale negativo (-) dell'amplificatore.

## **Due diffusori in parallelo (ciascuno con due bobine mobili da 4 ohm)**

Vedi Figura 5 a pagina 6

Due woofer con due bobine mobili da 4 ohm ciascuno collegate in parallelo, applicano un carico di 1 ohm all'amplificatore quando sono collegati in parallelo.

1. Collegare i woofer in parallelo collegandone tra loro i quattro terminali positivi (+) e i quattro terminali negativi (-).
2. Collegare tutti i terminali positivi (+) del woofer al terminale positivo (+) dell'amplificatore e tutti i terminali negativi (-) del woofer al terminale negativo (-) dell'amplificatore.

(-) dell'amplificatore.

### **Due diffusori in serie-parallelo (ciascuno con due bobine mobili da 2 ohm)**

Vedi Figura 6 a pagina 7

**Nota: verificare che i woofer siano cablati come illustrato, con il terminale negativo della prima bobina mobile di ciascun woofer collegato al terminale positivo della seconda bobina mobile del woofer stesso.**

Due woofer con due bobine mobili da 2 ohm ciascuno collegate in serie, applicano un carico di 2 ohm all'amplificatore quando sono collegati in parallelo.

1. Collegare ciascun woofer in serie collegandone il terminale negativo (-) della prima bobina al terminale positivo (+) della seconda.
2. Collegare il terminale positivo (+) della prima bobina di ciascun woofer al terminale positivo (+) dell'amplificatore e il terminale negativo (-) della seconda bobina di ciascun woofer al terminale negativo (-) dell'amplificatore.

### **Tre diffusori in serie-parallelo (ciascuno con due bobine mobili da 4 ohm)**

Vedi Figura 7 a pagina 8

**Nota: verificare che i woofer siano cablati come illustrato, con il terminale negativo della prima bobina mobile di ciascun woofer collegato al terminale positivo della seconda bobina mobile del woofer stesso.**

Tre woofer con due bobine mobili da 4 ohm ciascuno collegate in serie, applicano un carico di 2,67 ohm all'amplificatore quando sono collegati in parallelo.

1. Collegare ciascun woofer in serie collegandone il terminale negativo (-) della prima bobina al terminale positivo (+) della seconda.
2. Collegare il terminale positivo (+) della prima bobina di ciascun woofer al terminale positivo (+) dell'amplificatore e il terminale negativo (-) della seconda bobina di ciascun woofer al terminale negativo (-) dell'amplificatore.

### **Tre diffusori in serie-parallelo (ciascuno con due bobine mobili da 2 ohm)**

Vedi Figura 8 a pagina 9

**Nota: verificare che i woofer siano cablati come illustrato, con il terminale negativo della prima bobina mobile di ciascun woofer collegato al terminale positivo della seconda bobina mobile del woofer stesso.**

Tre woofer con due bobine mobili da 2 ohm ciascuno collegate in serie, applicano un carico di 1,33 ohm all'amplificatore quando sono collegati in parallelo.

1. Collegare ciascun woofer in serie collegandone il terminale negativo (-) della prima bobina al terminale positivo (+) della seconda.
2. Collegare il terminale positivo (+) della prima bobina di ciascun woofer al terminale positivo (+) dell'amplificatore e il terminale negativo (-) della seconda bobina di ciascun woofer al terminale negativo (-) dell'amplificatore.

## **Quattro diffusori in serie-parallelo (ciascuno con due bobine mobili da 4 ohm)**

Vedi Figura 9 a pagina 10

**Nota: verificare che i woofer siano cablati come illustrato, con il terminale negativo della prima bobina mobile di ciascun woofer collegato al terminale positivo della seconda bobina mobile del woofer stesso.**

Quattro woofer con due bobine mobili da 4 ohm ciascuno collegate in serie, applicano un carico di 2 ohm all'amplificatore quando sono collegati in parallelo.

1. Collegare ciascun woofer in serie collegandone il terminale negativo (-) della prima bobina al terminale positivo (+) della seconda.
2. Collegare il terminale positivo (+) della prima bobina di ciascun woofer al terminale positivo (+) dell'amplificatore e il terminale negativo (-) della seconda bobina di ciascun woofer al terminale negativo (-) dell'amplificatore.

## **Quattro diffusori in serie-parallelo (ciascuno con due bobine mobili da 2 ohm)**

Vedi Figura 10 a pagina 11

**Nota: verificare che i woofer siano cablati come illustrato, con il terminale negativo della prima bobina mobile di ciascun woofer collegato al terminale positivo della seconda bobina mobile del woofer stesso.**

Quattro woofer con due bobine mobili da 2 ohm ciascuno collegate in serie, applicano un carico di 1 ohm all'amplificatore quando sono collegati in parallelo.

1. Collegare ciascun woofer in serie collegandone il terminale negativo (-) della prima bobina al terminale positivo (+) della seconda.
2. Collegare il terminale positivo (+) della prima bobina di ciascun woofer al terminale positivo (+) dell'amplificatore e il terminale negativo (-) della seconda bobina di ciascun woofer al terminale negativo (-) dell'amplificatore.

## **Due amplificatori e un diffusore (con due bobine mobili da 2 ohm)**

Vedi Figura 11 a pagina 12

Un woofer con due bobine mobili da 2 ohm, ciascuna collegata a un amplificatore separato, applica un carico di 2 ohm a ciascun amplificatore.

1. Collegare una delle bobine mobili del woofer al primo amplificatore collegandone il terminale positivo (+) e quello negativo (-) rispettivamente al terminale positivo (+) e a quello negativo (-) dell'amplificatore stesso.
2. Collegare l'altra bobina mobile del woofer al secondo amplificatore collegandone il terminale positivo (+) e quello negativo (-) rispettivamente al terminale positivo (+) e a quello negativo (-) dell'amplificatore stesso.

## **Due amplificatori e un diffusore (con due bobine mobili da 4 ohm)**

Vedi Figura 12 a pagina 13

Un woofer con due bobine mobili da 4 ohm, ciascuna collegata a un amplificatore

separato, applica un carico di 4 ohm a ciascun amplificatore.

1. Collegare una delle bobine mobili del woofer al primo amplificatore collegandone il terminale positivo (+) e quello negativo (-) rispettivamente al terminale positivo (+) e a quello negativo (-) dell'amplificatore stesso.
2. Collegare l'altra bobina mobile del woofer al secondo amplificatore collegandone il terminale positivo (+) e quello negativo (-) rispettivamente al terminale positivo (+) e a quello negativo (-) dell'amplificatore stesso.

## DATI TECNICI

Per i dati tecnici dettagliati vedere alle pagine 14 e 15.

Modello/Codice	XTR###
<b>Dimensioni</b>	
<b>Parametri Thiele/Small</b>	
Fs (freq. di risonanza in aria libera, Hz)	
Vas (volume equivalente di cedevolezza, cu ft)	
Vas (volume equivalente di cedevolezza, litri)	
Qms (Q, meccanico)	
Qes (Q, elettrico)	
Qts (Q totale driver)	
Re (resistenza in c.c., ohm) ***	
Z (impedenza nominale, ohm)	
Le (induttanza, mH)	
Efficienza (1 W a 1 M, dB)	
Xmax (escursione lineare monodirezionale, in)	
Xmax (escursione lineare monodirezionale, mm)	
Pe (potenza elettrica continua, watt)	
Potenza di picco (acustica, watt) *	
Mms (massa meccanica mobile totale, grammi)	
Cms (cedevolezza meccanica, mm/N)	
Bl (fattore di forza elettromeccanico, T•m)	
Sd (superficie radiante effettiva, cm quadrati)	
Sd (superficie radiante effettiva, sq in)	
Gamma di frequenza (Hz)	
Prodotto energia•larghezza di banda (EBP) **	
<b>Dimensioni fisiche del driver</b>	
Volume interno del diffusore (cu ft)	
Diametro esterno del diffusore (pollici/millimetri)	
Diametro fori di montaggio (pollici/millimetri)	
Profondità di montaggio (pollici/millimetri)	

Peso magneti (oz)	
Diametro telaio (pollici/millimetri)	
<b>Casse raccomandate</b>	
Cassa sigillata tipica (cu ft)	
Cassa ventilata (cu ft) ***	
Frequenza di sintonizzazione dell'apertura (Hz)	
Area equivalente dell'apertura (pollici)	
Lunghezza dell'apertura (pollici)	

I dati tecnici sono soggetti a modifica senza preavviso.

#### DETTAGLI DELLA CASSA

1. I parametri elencati sono validi solo per applicazioni convenzionali, per ulteriori informazioni rivolgersi al servizio di assistenza.
2. Si suggerisce una cassa in MDF (pannelli di fibre a media densità) da 0,75" (1,9 cm).
3. I valori suggeriti per il volume della cassa sono valori NETTI. Il volume della cassa tiene conto dei volumi dell'altoparlante e dell'apertura; non occorre aggiungerli per calcolare il volume LORDO della cassa.

#### NOTE

- \* A causa dell'elevata potenza generabile da questi woofer e della loro lunga escursione, i parametri Thiele/Small sono stati calcolati mediante un analizzatore Klippel.
- \*\* Il prodotto energia•larghezza di banda (EBP) è calcolato con la seguente formula:  $F_s/Q_{es} = EBP$ . Valori di EBP minori o uguali a 50 suggeriscono che è preferibile adoperare una cassa sigillata, valori compresi tra 50 e 90 indicano che i subwoofer sono versatili, e valori uguali o maggiori di 90 suggeriscono che è preferibile adoperare una cassa ventilata.
- \*\*\* È necessario usare sempre filtri subsonici, regolandoli specificamente per la costruzione a cassa ventilata.

# SPIEGAZIONE DEI DATI TECNICI DELLA CASSA

Il tipo migliore di cassa per le esigenze del proprietario o le condizioni del veicolo dipende da numerosi fattori, alcuni dei quali sono elencati di seguito.

Le dimensioni della cassa sono direttamente proporzionali all'efficienza e alla potenza tollerabile dall'altoparlante; quest'ultima è tanto maggiore quanto più piccola è la cassa in cui è inserito il woofer, mentre per l'efficienza vale il criterio opposto, ossia una cassa più grande riproduce le frequenze più basse a un volume più alto e con meno potenza rispetto a una cassa più piccola.

La costruzione della cassa sigillata illustrata di seguito è quella ottimale ai fini della qualità complessiva del suono. Le dimensioni della cassa da usare dipendono dalla potenza e dal tipo di veicolo in cui la si installerà. Le casse più grandi sono ottimali se la potenza è inferiore (dal 25% al 50% di quella massima tollerabile dall'altoparlante), il veicolo ha una grandezza significativa o si desidera una potenza maggiore. Una cassa più piccola è preferibile se la potenza è quella suggerita (dal 50% al 100% di quella massima tollerabile dall'altoparlante), il veicolo è abbastanza piccolo (guadagno elevato) o si desidera una riproduzione più fedele del suono. La cassa più piccola sigillata offre un controllo superiore, che assicura bassi più veloci e precisi.

Una cassa ventilata offre efficienza maggiore e un'uscita ai bassi estremi più forte rispetto a una cassa sigillata. La prima utilizza l'onda regressiva (il suono che si propaga dal lato posteriore del cono) per amplificare l'uscita dell'altoparlante. Una cassa sintonizzata correttamente assicura un guadagno costante nell'intera larghezza di banda del subwoofer e offre un controllo del cono superiore rispetto a una cassa sigillata. La sintonizzazione alle basse frequenze offre un guadagno complessivo inferiore ma un'estensione superiore (bassi estremi), mentre una cassa sintonizzata alle frequenze alte offre un guadagno superiore ma limita la risposta dell'impianto alle basse frequenze. Uno dei vantaggi della cassa ventilata è la possibilità di sintonizzarla a una frequenza specifica, nota come "Fb". Un altro parametro importante della cassa è "F3", cioè la frequenza alla quale la risposta del driver è attenuata di 3 dB. Questo valore è importante perché determina l'impostazione del filtro passa alto o dell'ORION IntelliQ, quest'ultimo va impostato a una frequenza uguale a "F3" per prevenire danni all'altoparlante causati da un eventuale sovraccarico.

Una pianificazione attenta e una costruzione appropriata garantiscono la risposta migliore dell'impianto. Nelle pagine successive sono illustrate numerosi tipi di casse e costruzioni che permettono di ottenere risultati ottimali dai subwoofer XTR.

# RACCOMANDAZIONI PER LA CASSA

## Dettagli della cassa

1. Le misure esterne sono calcolate in base a un materiale da costruzione spesso 19 mm (0,75 in).
2. Comprendono il volume interno del diffusore.
3. I volumi indicati sono netti.
4. La cassa comprende una quantità minima di materiale di riempimento. Occorre solo il materiale strettamente sufficiente per allineare l'interno della cassa.

Legenda relativa alla cassa sigillata (vedi pagine 18, 20 e 22 per le misure)

### Proprietà della cassa

— Descrizione —

Tipo: cassa sigillata

Forma: prisma quadrato

— Parametri della cassa —

Vb =

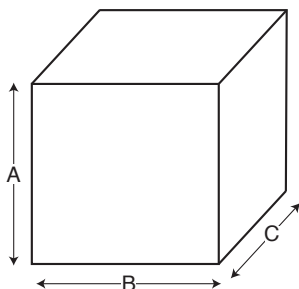
V(totale) =

Qtc =

QL =

F3 =

Riempitivo =



— Dimensioni esterne —

A =

B =

C =

— Dimensioni interne —

A =

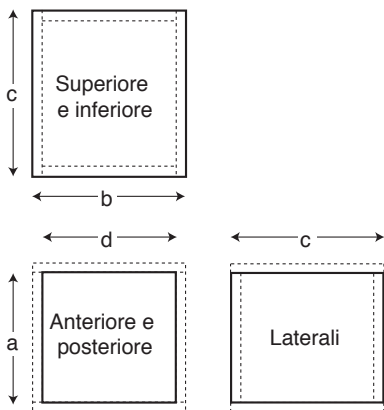
B =

C =

— Spessore delle pareti —

Anteriore =

Laterali =



— Parti della cassa —

Forma della cassa: prisma quadrato

1 superiore, 1 inferiore

profondità (c) =

larghezza (b) =

spessore =

1 anteriore, 1 posteriore

altezza (a) =

larghezza (d) =

spessore =

2 laterali

altezza (a) =

profondità (c) =

spessore =

— Montaggio del driver —

Montaggio: anteriore

**Proprietà della cassa**

— Descrizione —

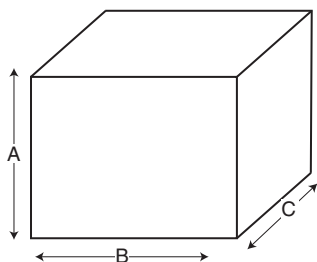
Tipo: cassa ventilata  
 Forma: prisma quadrato

— Parametri della cassa —

Vb =  
 V(totale) =  
 Fb =  
 QL =  
 F3 =  
 Riempitivo =

— Aperture —

N. di aperture =  
 Forma apertura = circolare  
 Estremità apertura = una a filo  
 Dv =  
 Lv =



— Dimensioni esterne —

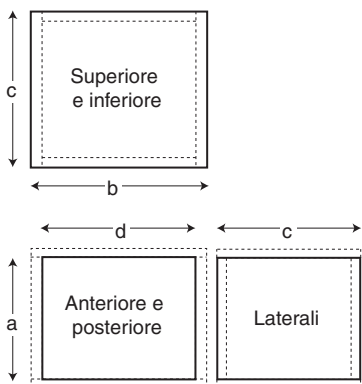
A =  
 B =  
 C =

— Dimensioni interne —

A =  
 B =  
 C =

— Spessore delle pareti —

Anteriore =  
 Laterali =



— Parti della cassa —

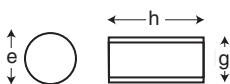
Forma della cassa: prisma quadrato

1 superiore, 1 inferiore  
 profondità (c) =  
 larghezza (b) =  
 spessore =  
 1 anteriore, 1 posteriore  
 altezza (a) =  
 larghezza (d) =  
 spessore =

2 laterali  
 altezza (a) =  
 profondità (c) =  
 spessore =

— Montaggio del driver —

Montaggio: anteriore



— Parti apertura —

1 tubo:  
 diametro esterno (e) =  
 diametro interno (g) =  
 lunghezza (h) =



## INSTALAÇÃO

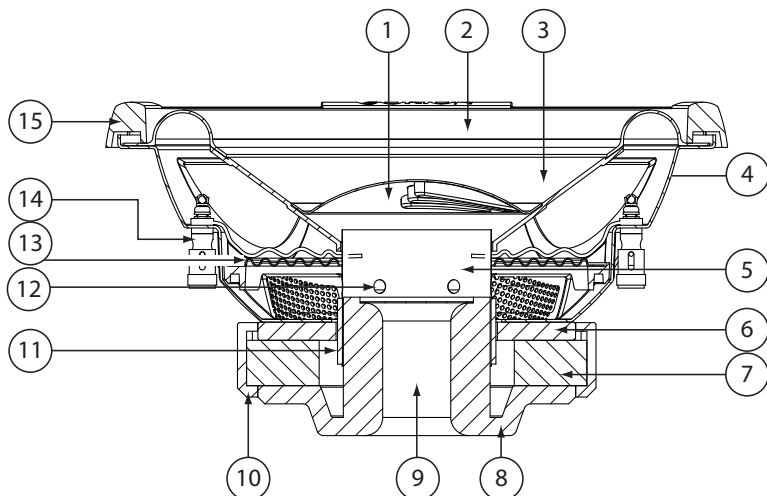
O desempenho dos subwoofers XTR é diretamente proporcional à qualidade da instalação. O cuidado durante o processo de instalação será recompensado com anos de satisfação com o desempenho. Caso não esteja certo quanto à sua capacidade para fazer a instalação, consulte o revendedor autorizado local da Orion para obter assistência técnica. Os revendedores da Orion são profissionais capacitados dedicados a maximizar o desempenho de seu sistema. Caso decida instalar este sistema de alto-falantes por conta própria, leia toda a seção sobre caixas acústicas seladas e ventiladas antes de começar a instalação.

## DETERMINAÇÃO DOS LOCAIS DE INSTALAÇÃO DOS ALTO-FALANTES

A seleção dos locais corretos para instalação dos alto-falantes é o fator que mais influenciará a qualidade do som produzido pelo sistema. É necessário considerar vários aspectos ao escolher os locais mais adequados às suas necessidades. Os locais de instalação devem ser grandes o suficiente para acomodar os alto-falantes e é necessário cuidado para assegurar que os locais escolhidos não afetem nenhuma das funções mecânicas ou elétricas do veículo.

A determinação dos melhores locais para a instalação dos alto-falantes dependerá de suas necessidades estéticas e do interior do veículo. Geralmente, os woofers são instalados no porta-malas, banco traseiro ou painel traseiro do veículo.

# CARACTERÍSTICAS



1	Cobertura contra pó de polipropileno resistente à umidade e radiação ultravioleta.
2	Surround de borracha nitrilica (NBR) grande para longo deslocamento linear controlado.
3	Cone de papel resistente à umidade e à radiação ultravioleta.
4	Carcaça de aço estampado especial.
5	Copo de bobina móvel de alumínio ventilado (copo de bobina móvel de 2,5")
6	Placa frontal de aço de 8 mm.
7	Ímãs cerâmicos grandes de duas camadas.
8	Conjunto de placa traseira/haste em T tipo forquilha de 8 mm de aço
9	Abertura de ventilação de 28,6 mm. Parte do sistema aperfeiçoado de arrefecimento da bobina (convecção forçada).
10	Protetor dos ímãs de PVC.
11	Bobina móvel dupla de cobre de alta temperatura de 2 ohm ou 4 ohm.
12	Ventilação no copo da bobina. Parte do sistema aperfeiçoado de arrefecimento da bobina (convecção forçada).
13	Dois aranhas Conex entrelaçadas com terminais de ouro costurados em loop.
14	Blocos de terminais personalizados.
15	Anel de acabamento de ABS.

# CONFIGURAÇÕES DE CONEXÃO

## **Em série – Um alto-falante (duas bobinas de 2 ohm)**

Ver figura 2 na página 4

Um woofer com duas bobinas móveis de 2 ohm conectadas em série resulta em uma carga de 4 ohm ao amplificador.

1. Conecte o woofer em série unindo o pólo negativo (-) de um terminal ao pólo positivo (+) do terminal da outra bobina.
2. Conecte o terminal positivo (+) da primeira bobina ao terminal positivo (+) do amplificador. Conecte o terminal negativo (-) da segunda bobina ao terminal negativo (-) do amplificador.

## **Paralela – Um alto-falante (duas bobinas de 2 ohm)**

Ver figura 3 na página 4

Um woofer com duas bobinas móveis de 2 ohm conectadas em paralelo resulta em uma carga de 1 ohm ao amplificador.

1. Conecte o alto-falante em paralelo unindo os dois terminais positivos (+) juntos e os dois terminais negativos (-) juntos.
2. Conecte os terminais positivos (+) do woofer ao terminal positivo (+) do amplificador. Conecte os terminais negativos (-) do woofer ao terminal negativo (-) do amplificador.

## **Paralela – Um alto-falante (duas bobinas de 4 ohm)**

Ver figura 4 na página 5

Um woofer com duas bobinas móveis de 4 ohm conectadas em paralelo resulta em uma carga de 2 ohm ao amplificador.

1. Conecte o alto-falante em paralelo unindo os dois terminais positivos (+) juntos e os dois terminais negativos (-) juntos.
2. Conecte os dois terminais positivos (+) do woofer ao terminal positivo (+) do amplificador. Conecte os dois terminais negativos (-) do woofer ao terminal negativo (-) do amplificador.

## **Paralela – Dois alto-falantes (duas bobinas de 4 ohm)**

Ver figura 5 na página 6

Dois woofers com duas bobinas móveis de 4 ohm conectadas em paralelo e os dois woofers em paralelo resultam em uma carga de 1 ohm ao amplificador.

1. Conecte o alto-falante em paralelo unindo os quatro terminais positivos (+) juntos e os quatro terminais negativos (-) juntos.
2. Conecte os terminais positivos (+) dos woofers ao terminal positivo (+) do amplificador. Conecte os terminais negativos (-) dos woofers ao terminal negativo (-) do amplificador.

(-) do amplificador.

### **Série-Paralela – Dois alto-falantes (duas bobinas de 2 ohm)**

Ver figura 6 na página 7

**Nota: Verifique e certifique-se de que os cabos dos woofers estejam conectados como mostrado, com o terminal negativo da bobina do primeiro woofer conectado ao terminal positivo da bobina do segundo woofer.**

Dois woofers com duas bobinas móveis de 2 ohm conectadas em série e os dois woofers em série conectados em paralelo resultam em uma carga de 2 ohm ao amplificador.

1. Conecte cada woofer em série unindo o terminal negativo (-) da primeira bobina ao terminal positivo (+) da segunda bobina.
2. Conecte o terminal positivo (+) da primeira bobina de cada woofer ao terminal positivo (+) do amplificador. Conecte o terminal negativo (-) da segunda bobina de cada woofer ao terminal negativo (-) do amplificador.

### **Série-Paralela – Três alto-falantes (duas bobinas de 4 ohm)**

Ver figura 7 na página 8

**Nota: Verifique e certifique-se de que os cabos dos woofers estejam conectados como mostrado, com o terminal negativo da bobina do primeiro woofer conectado ao terminal positivo da bobina do segundo woofer.**

Três woofers com duas bobinas móveis de 4 ohm com as bobinas de cada woofer conectadas em série e em seguida os três woofers em paralelo resultam em uma carga de 2,67 ohm ao amplificador.

1. Conecte cada woofer em série unindo o terminal negativo (-) da primeira bobina ao terminal positivo (+) da segunda bobina.
2. Conecte o terminal positivo (+) da primeira bobina de cada woofer ao terminal positivo (+) do amplificador. Conecte o terminal negativo (-) da segunda bobina de cada woofer ao terminal negativo (-) do amplificador.

### **Série-Paralela – Três alto-falantes (duas bobinas de 2 ohm)**

Ver figura 8 na página 9

**Nota: Verifique e certifique-se de que os cabos dos woofers estejam conectados como mostrado, com o terminal negativo da bobina do primeiro woofer conectado ao terminal positivo da bobina do segundo woofer.**

Três woofers com duas bobinas móveis de 2 ohm com as bobinas de cada woofer conectadas em série e em seguida os três woofers em paralelo resultam em uma carga de 1,33 ohm ao amplificador.

1. Conecte cada woofer em série unindo o terminal negativo (-) da primeira bobina ao terminal positivo (+) da segunda bobina.
2. Conecte o terminal positivo (+) da primeira bobina de cada woofer ao terminal

positivo (+) do amplificador. Conecte o terminal negativo (-) da segunda bobina de cada woofer ao terminal negativo (-) do amplificador.

### **Série-Paralela – Quatro alto-falantes (duas bobinas de 4 ohm)**

Ver figura 9 na página 10

**Nota: Verifique e certifique-se de que os cabos dos woofers estejam conectados como mostrado, com o terminal negativo da bobina do primeiro woofer conectado ao terminal positivo da bobina do segundo woofer.**

Quatro woofers com duas bobinas móveis de 4 ohm devem ser conectados com as bobinas de cada woofer em série e em seguida os quatro woofers em paralelo, resultando em uma carga de 2 ohm ao amplificador.

1. Conecte cada woofer em série unindo o terminal negativo (-) da primeira bobina ao terminal positivo (+) da segunda bobina.
2. Conecte os terminais positivos (+) da primeira bobina de cada woofer ao terminal positivo (+) do amplificador. Conecte o terminal negativo (-) da segunda bobina de cada woofer ao terminal negativo (-) do amplificador.

### **Série-Paralela – Quatro alto-falantes (duas bobinas de 2 ohm)**

Ver figura 10 na página 11

**Nota: Verifique e certifique-se de que os cabos dos woofers estejam conectados como mostrado, com o terminal negativo da bobina do primeiro woofer conectado ao terminal positivo da bobina do segundo woofer.**

Quatro woofers com duas bobinas móveis de 2 ohm devem ser conectados com as bobinas de cada woofer em série e em seguida os quatro woofers em paralelo, resultando em uma carga de 1 ohm ao amplificador.

1. Conecte cada woofer em série unindo o terminal negativo (-) da primeira bobina ao terminal positivo (+) da segunda bobina.
2. Conecte os terminais positivos (+) da primeira bobina de cada woofer ao terminal positivo (+) do amplificador. Conecte o terminal negativo (-) da segunda bobina de cada woofer ao terminal negativo (-) do amplificador.

### **Dois amplificadores – Um alto-falante (duas bobinas de 2 ohm)**

Ver figura 11 na página 12

Um woofer com duas bobinas móveis de 2 ohm com cada bobina conectada a um amplificador, resultando em uma carga de 2 ohm a cada amplificador.

1. Conecte uma das bobinas móveis do alto-falante ao primeiro amplificador unindo o terminal positivo (+) e o terminal negativo (-) do alto-falante aos respectivos terminais positivo (+) e negativo (-) do primeiro amplificador.
2. Conecte as demais bobinas móveis do alto-falante ao segundo amplificador unindo o terminal positivo (+) e o terminal negativo (-) do alto-falante aos respectivos terminais positivo (+) e negativo (-) do segundo amplificador.

## Dois amplificadores – Um alto-falante (duas bobinas móveis de 4 ohm)

Ver figura 12 na página 13

Um woofer com duas bobinas móveis de 4 ohm com cada bobina conectada a um amplificador, resultando em uma carga de 4 ohm a cada amplificador.

1. Conecte uma das bobinas móveis do alto-falante ao primeiro amplificador unindo o terminal positivo (+) e o terminal negativo (-) do alto-falante aos respectivos terminais positivo (+) e negativo (-) do primeiro amplificador.
2. Conecte as demais bobinas móveis do alto-falante ao segundo amplificador unindo o terminal positivo (+) e o terminal negativo (-) do alto-falante aos respectivos terminais positivo (+) e negativo (-) do segundo amplificador.

## ESPECIFICAÇÕES

Tradução das especificações, ver detalhes nas páginas 14 e 15.

Modelo/Número do produto	XTR###
Tamanho	
<b>Parâmetros Thiele/Small</b>	
Fs (ressonância ao ar livre, Hz)	
Vas (conformidade equivalente, pés cúbicos)	
Vas (conformidade equivalente, litros)	
Qms (Q, mecânica)	
Qes (Q, elétrica)	
Qts (Q total do alto-falante)	
Re (resistência à CC, ohms)	
Z (impedância nominal, ohms)	
Le (indutância, mh)	
Eficiência (1 W a 1 M, dB)	
Xmax (excursão linear unidirecional, pol.)	
Xmax (excursão linear unidirecional, mm)	
Pe (potência máxima permissível contínua, watts)	
Capacidade de processamento de pico de potência (música, watts) *	
Mms (massa total móvel, gramas)	
Cms (conformidade mecânica, mm/N)	
B1 (força do motor, Tesla-M)	
Sd (área de radiação efetiva, cm <sup>2</sup> )	
Sd (área de radiação efetiva, in <sup>2</sup> )	
Faixa de frequência (Hz)	
Produto de eficiência da largura de banda (EBP) **	
<b>Dimensão física do alto-falante</b>	

Deslocamento do alto-falante (pés cúbicos)	
Diâmetro externo do alto-falante (pol./mm)	
Diâmetro do orifício de montagem do alto-falante (pol./mm)	
Profundidade de instalação (pol./mm)	
Peso do ímã (Oz)	
Diâmetro do cone (pol./mm)	
<b>Caixas recomendadas</b>	
Caixa selada típica (pés cúbicos)	
Caixa ventilada (pés cúbicos) ***	
Frequência de sintonização de duto (Hz)	
Equivalente quadrado do duto (polegadas)	
Comprimento do duto (polegadas)	

As especificações estão sujeitas a alteração sem aviso prévio.

#### DETALHES DA CAIXA

1. Os parâmetros especificados são apenas para aplicações convencionais. Para obter mais ajuda, ligue para o grupo de suporte técnico de áudio.
2. MDF de 1,9 cm (0,75") recomendado.
3. Os volumes das caixas recomendadas são volumes LÍQUIDOS. O deslocamento do alto-falante e do duto estão incluídos no volume da caixa. Não é necessário adicioná-los para calcular o volume BRUTO da caixa.

#### NOTAS:

- \* Devido à alta capacidade de potência e longo deslocamento desses woofers, os parâmetros Thiele/Small foram calculados e medidos usando um sistema analisador Klippel.
- \*\* O produto de eficiência da largura de banda (EBP) é determinado pela seguinte fórmula:  $F_s/Q_{es} = EBP$ . Valores de EBP de 50 ou menos sugerem que uma caixa selada é melhor, valores de 50 a 90 significam que os subwoofers são versáteis e valores de 90 ou mais significam que uma caixa ventilada é recomendada.
- \*\*\* Filtros subsônicos devem ser sempre usados e ajustados especificamente para designs de caixa ventilada.

# EXPLICAÇÃO DAS ESPECIFICAÇÕES DAS CAIXAS

Existem muitos fatores diferentes que ajudam a determinar o melhor estilo de caixa para o usuário ou o veículo. Estes são alguns fatores que devem ser considerados:

O tamanho da caixa é diretamente proporcional à eficiência e à potência máxima permissível do alto-falante. Um woofer em uma caixa pequena processa mais potência do que o mesmo woofer em uma caixa maior. O oposto se aplica em termos de eficiência. Uma caixa maior reproduz frequências mais baixas com volume mais alto com menos potência que uma caixa menor.

O design de caixa selada a seguir é melhor em termos de qualidade sonora em geral. O tamanho da caixa a usar depende da potência e do tipo de veículo no qual será colocada. Caixas maiores são mais adequadas se a potência for limitada (25% a 50% da capacidade de processamento de potência do alto-falante), se o veículo for grande ou o usuário desejar reprodução sonora mais alta. Uma caixa menor deve ser utilizada se a potência recomendada estiver disponível (50% a 100% da capacidade nominal de processamento de potência do alto-falante), se o veículo for menor (alto ganho) ou o usuário desejar uma reprodução sonora mais precisa. A caixa selada menor proporciona mais controle, o que resulta em graves mais rápidos e precisos.

Uma caixa ventilada oferece maior eficiência e reprodução mais profunda de graves em relação a uma caixa selada. Uma caixa ventilada usa a onda posterior (som da parte traseira do cone) para reforçar a reprodução sonora do alto-falante. Uma caixa sintonizada corretamente produz ganho em toda a largura de banda do sistema de subwoofer e oferece mais controle do cone que uma caixa selada. Uma sintonização baixa produz menos ganho geral, mas maior extensão (graves baixos). Uma caixa com sintonização alta oferece mais ganho, mas limita a resposta na faixa baixa do sistema. Uma das vantagens de ter uma caixa ventilada é que ela pode ser sintonizada para uma frequência específica, conhecida como "Fb". Outra especificação importante da caixa é o parâmetro "F3", a frequência crítica na qual a resposta do driver cai 3dB. Este número é importante para configurar um filtro passa-alta ou o ORION IntelliQ. O IntelliQ deve ser configurado na mesma frequência que o parâmetro "F3", pois isso impedirá que o alto-falante se danifique, ou seja, sofra sobrecarga.

O bom planejamento e a construção apropriada assegurarão a melhor resposta do sistema. As próximas páginas descrevem as muitas caixas e designs diferentes que permitem que os subwoofers XTR tenham melhor desempenho.



# RECOMENDAÇÕES PARA CAIXAS

## Detalhes da caixa

1. Dimensões externas calculadas para material de construção de 190 mm (3/4") de espessura.
2. Inclui o deslocamento do alto-falante.
3. Os volumes fornecidos são volumes de sintonização sem acréscimo
4. As caixas possuem uma quantidade mínima de material abafador. É necessário ter material suficiente para revestir a parte interna da caixa.

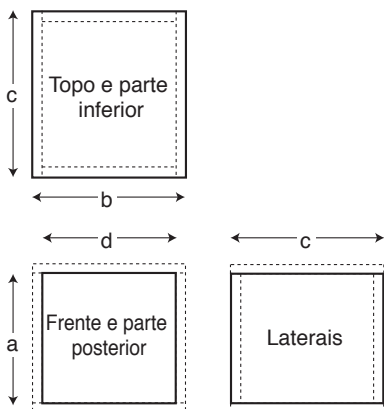
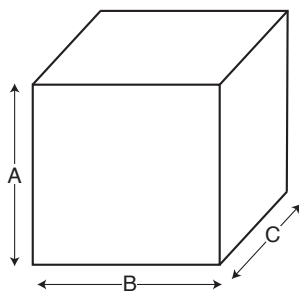
Tradução do diagrama da caixa selada (ver as medidas nas páginas 18, 20 e 22)

### Propriedades da caixa

— Propriedades da caixa —

Tipo: Caixa fechada

Formato: Prisma, quadrada



— Parâmetros da caixa —

Vb =

V(total) =

Qtc =

QL =

F3 =

Enchimento =

— Dimensões externas —

A =

B =

C =

— Dimensões internas —

A =

B =

C =

— Espessura da parede —

Frente =

Laterais =

— Partes da caixa —

Formato da caixa — Prisma, quadrada

1 topo, 1 parte inferior  
profundidade (c)  
largura (b)  
espessura =

1 frente, 1 parte posterior  
altura (a)  
largura (d)  
espessura =

2 laterais  
altura (a) =  
profundidade (c) =  
espessura =

— Montagem do alto-falante —

Montagem: Frente

**Propriedades da caixa**

— Descrição —

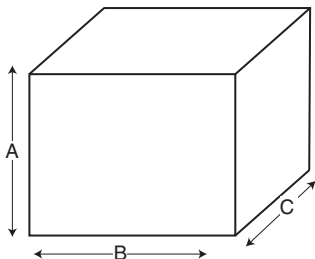
Tipo: Caixa ventilada  
 Formato: Prisma, quadrada

— Parâmetros da caixa —

Vb =  
 V(total) =  
 Qtc =  
 QL =  
 F3 =  
 Enchimento =

— Aberturas —

Nº de aberturas =  
 Formato da abertura = redondo  
 Extremidades da abertura = uma alinhada  
 Dv =  
 Lv =



— Dimensões externas —

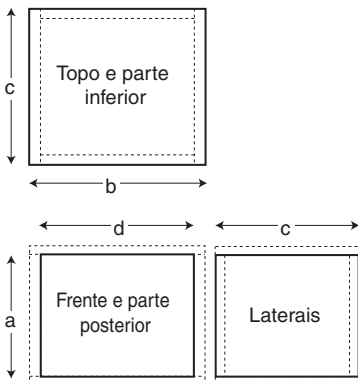
A =  
 B =  
 C =

— Dimensões internas —

A =  
 B =  
 C =

— Espessura da parede —

Frente =  
 Laterais =



— Partes da caixa —

Formato da caixa – Prisma, quadrada

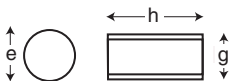
1 topo, 1 parte inferior  
 profundidade (c)  
 largura (b)  
 espessura =

1 frente, 1 parte posterior  
 altura (a)  
 largura (d)  
 espessura =

2 laterais  
 altura (a) =  
 profundidade (c) =  
 espessura =

— Montagem do alto-falante —

Montagem: Frente



— Partes da abertura —

1 ducto:  
 diâmetro externo (e) =  
 diâmetro interno (g) =  
 comprimento (h) =

# WARRANTY

## LIMITED ONE-YEAR CONSUMER WARRANTY/\*LIMITED TWO-YEAR CONSUMER WARRANTY FOR AUTHORIZED DIRECTED DEALER PURCHASE & INSTALLATION

Directed Electronics (herein "Directed") promises to the original purchaser of the subwoofer or amplifier, as applicable (herein "Unit" or "Product"), to repair or replace with a new or refurbished Unit (at Directed's sole and absolute discretion) should the Unit prove to be defective in workmanship or material under normal use, for a period of \*two-years from the date of purchase from the authorized Directed dealer PROVIDED the Unit was purchased and installed by an authorized Directed dealer. During this \*two-year period, there will be no charge for the repair or replacement PROVIDED the Unit is returned to Directed (DO NOT RETURN THE ENTIRE ENCLOSURE. PLEASE RETURN THE WARRANTIED UNIT ONLY.), shipping prepaid, along with the required proof of installation, the bill of sale or other dated proof of purchase, and the consumer's contact information. If the Unit is installed by anyone other than an authorized Directed dealer, the warranty period will be one-year from the date of purchase. This warranty is non-transferable and does not apply to any Unit that has been modified or used in a manner contrary to its intended purpose, and does not cover damage to the Unit caused by installation or removal of the Unit. During this one-year period, there will be no charge for the repair or replacement PROVIDED the Unit is returned to Directed, shipping pre-paid, along with the bill of sale or other dated proof of purchase and the consumer's contact information. This warranty is void if the product has been damaged by accident or unreasonable use, neglect, improper service or other causes not arising out of defects in materials or construction. This warranty does not cover the elimination of externally generated static or noise, or the correction of antenna problems or weak reception, damage to speakers, accessories, electrical systems, cosmetic damage or damage due to negligence, misuse, failure to follow operating instructions, accidental spills or customer applied cleaners, damage due to environmental causes such as floods, airborne fallout, chemicals, salt, hail, lightning or extreme temperatures, damage due to accidents, road hazards, fire, theft, loss or vandalism, damage due to improper connection to equipment of another manufacturer, modification of existing equipment, or Product which has been opened or tampered for any reason. Units which are found to be damaged by abuse resulting in thermally damaged voice coils are not covered by this warranty but may be replaced at the absolute and sole discretion of Directed. Unit must be returned to Directed (DO NOT RETURN THE ENTIRE ENCLOSURE. THE UNIT ENCLOSURE IS COVERED BY A SEPARATE 90-DAY LIMITED CONSUMER WARRANTY. PLEASE ONLY RETURN THE WARRANTIED UNIT UNLESS A WARRANTY CLAIM IS BEING MADE FOR THE ENCLOSURE.), postage pre-paid, with bill of sale or other dated proof of purchase bearing the following information: consumer's name, telephone number, and address, authorized dealer's name and address, and product description. Unit must be returned to the following address: ATTN: WARRANTY DEPARTMENT, Directed Electronics , 1 Viper Way, Vista, CA 92081. Note: This warranty does not cover labor costs for the removal and/or reinstallation of the Unit. IN ORDER FOR THE TWO-YEAR WARRANTY TO BE VALID, YOUR UNIT MUST BE SHIPPED WITH PROOF OF INSTALLATION BY AN AUTHORIZED DIRECTED DEALER. ALL UNITS RECEIVED BY DIRECTED FOR WARRANTY REPAIR WITHOUT PROOF OF DIRECTED DEALER INSTALLATION AND PURCHASE WILL BE COVERED BY THE LIMITED 1 YEAR WARRANTY.

BY PURCHASING THIS PRODUCT, ALL WARRANTIES INCLUDING BUT NOT LIMITED TO EXPRESS WARRANTY, IMPLIED WARRANTY, WARRANTY OF MERCHANTABILITY, FITNESS FOR PARTICULAR PURPOSE, AND WARRANTY OF NON-INFRINGEMENT OF INTELLECTUAL PROPERTY ARE EXPRESSLY EXCLUDED TO THE MAXIMUM EXTENT ALLOWED BY LAW, AND DIRECTED NEITHER ASSUMES NOR AUTHORIZES ANY PERSON TO ASSUME FOR IT ANY LIABILITY IN CONNECTION WITH THE SALE OF THE PRODUCT. DIRECTED HAS ABSOLUTELY NO LIABILITY FOR ANY AND ALL ACTS OF THIRD PARTIES INCLUDING ITS AUTHORIZED DEALERS OR INSTALLERS. IN NO EVENT WILL DIRECTED BE LIABLE FOR ANY INCIDENTAL, SPECIAL OR CONSEQUENTIAL DAMAGES (INCLUDING LOSS OF PROFITS). BY PURCHASING THIS PRODUCT, THE CONSUMER AGREES AND CONSENTS THAT ALL DISPUTES BETWEEN THE CONSUMER AND DIRECTED SHALL BE RESOLVED IN ACCORDANCE WITH CALIFORNIA LAWS IN SAN DIEGO COUNTY, CALIFORNIA. This warranty is only valid for sale of Product within the United States of America. Product sold outside of the United States of America is sold "AS-IS," and shall have NO WARRANTY, express or implied. Some states do not allow limitation on how long an implied warranty lasts. In such states, the limitation or exclusions of this Limited Warranty may not apply. Some states do not allow the exclusion or limitation of incidental or consequential damages. In such states, the exclusion or limitation of this Limited Warranty may not apply to you. This Limited Warranty gives you specific legal rights, and you may have other rights which vary from state to state.

920-0033 04-07

For more information on Orion products please visit [www.orioncaraudio.com](http://www.orioncaraudio.com)



ISO 9001 registered company

Directed Electronics is an ISO 9001 registered company.

**Directed Electronics is committed to delivering world class quality products and services that excite and delight our customers.**

*distributed by*  
**Directed**  
ELECTRONICS  
Vista, CA 92081  
**WWW.DIRECTED.COM**

## Free Manuals Download Website

<http://myh66.com>

<http://usermanuals.us>

<http://www.somanuals.com>

<http://www.4manuals.cc>

<http://www.manual-lib.com>

<http://www.404manual.com>

<http://www.luxmanual.com>

<http://aubethermostatmanual.com>

Golf course search by state

<http://golfingnear.com>

Email search by domain

<http://emailbydomain.com>

Auto manuals search

<http://auto.somanuals.com>

TV manuals search

<http://tv.somanuals.com>