

# Oster®



MODELS/ MODÈLES  
MODELOS

**3157**

INSTRUCTION MANUAL  
**JUICE EXTRACTOR**

PLEASE READ ALL INSTRUCTIONS BEFORE USING THIS APPLIANCE

---

MANUEL D'INSTRUCTIONS  
**CENTRIFUGEUSE À JUS**

LIRE TOUTES LES INSTRUCTIONS AVANT D'UTILIZER CET APPAREIL

---

MANUAL DE INSTRUCCIONES  
**EXTRACTOR DE JUGOS**

LEA TODAS LAS INSTRUCCIONES ANTES DE USAR ESTE APARATO

---

MANUAL DE INSTRUÇÕES  
**CENTRIFUGA**

LEIA TODAS AS INSTRUÇÕES ANTES DE USAR ESTE APARELHO

Download from [www.Somanuals.com](http://www.Somanuals.com). All Manuals Search And Download.

# IMPORTANT SAFEGUARDS

When using electrical appliances, basic safety precautions should always be followed including the following:

- Read all instructions before using your juice extractor
- To protect against risk of electrical shock, **DO NOT** put power cord or motor base in water or any other liquid
- Close supervision is necessary when any appliance is used by or near children
- Unplug from outlet when not in use, before putting on or taking off parts, and before cleaning
- Avoid contact moving parts. **DO NOT** touch the small cutting blades located at the base of the stainless steel filter
- **DO NOT** operate any appliance with a damaged cord or plug or after the appliance malfunctions, or is dropped or damaged in any manner. Return appliance to the nearest authorized service center for examination, repair or electrical or mechanical adjustment
- The use of attachments not recommended or sold by the manufacturer may cause fire, electric shock or injury
- **DO NOT** use outdoors
- **DO NOT** let cord hang over edge of table or counter
- **DO NOT** let cord touch hot surfaces, including the stove
- **DO NOT** operate this appliance continuously for more than 5 minutes
- Always make sure juicer lid/cover is clamped securely in place before motor is turned on. **DO NOT** unfasten clamps while juicer is in operation
- Be sure to turn switch to off position "O" after each use of your juicer. Make sure the motor stops completely before disassembling
- **DO NOT PUT YOUR FINGERS OR OTHER OBJECTS INTO THE JUICER OPENING WHILE IT IS IN OPERATION. IF FOOD BECOMES LODGED IN THE OPENING, USE FOOD PUSHER OR ANOTHER PIECE OF FRUIT OR VEGETABLE TO PUSH IT DOWN. WHEN THIS METHOD IS NOT POSSIBLE TURN THE MOTOR OFF AND DISASSEMBLE JUICER TO REMOVE THE REMAINING FOOD**
- **DO NOT** use the appliance if the rotating sieve/filter is damaged
- **DO NOT** push produce into the feed chute with your finger. Always use the food pusher provided
- **DO NOT** touch the small cutting blades in the base of the stainless steel filter basket
- Always make sure the juice extractor is properly and completely assembled before operating. The unit will not turn on unless properly assembled
- Always use the juice extractor on a dry, level surface
- Always turn the juice extractor off first before unplugging it from the outlet

- **DO NOT** place this appliance on or near a hot gas or electric burner or where it could touch a heated oven
- This appliance is not intended for use by persons (including children) with reduced physical, sensory or mental capabilities, or lack of experience and knowledge, unless they have been given supervision or instruction concerning use of the appliance by a person responsible for their safety.
- Children should be supervised to ensure that they do not play with the appliance.

**THIS APPLIANCE IS FOR HOUSEHOLD USE ONLY.**

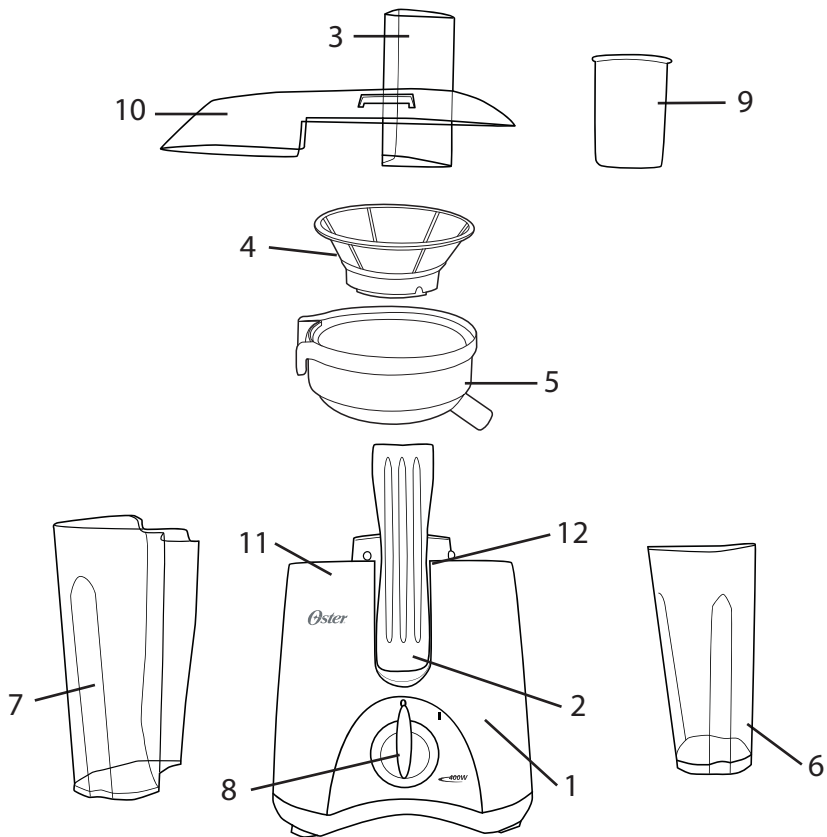
## SAVE THESE INSTRUCTIONS

### **(For 120 & 127 Volts Only)**

To reduce the risk of electrical shock, this appliance has a polarized plug (one blade is wider than the other). This plug fits a polarized outlet only one way. This is a safety feature intended to help reduce the risk of electrical shock. If the plug does not fit fully into the outlet, reverse the plug. If it still does not fit, contact a qualified electrician. Do not attempt to defeat this safety feature.

If a longer detachable power-supply cord or extension cord is used, the marked electrical rating of the extension cord should be the same as that of your juicer. The extension cord should be arranged so that it will not drape over the countertop or tabletop where it can be pulled on by children or tripped over unintentionally.

# DESCRIPTION OF THE APPLIANCE



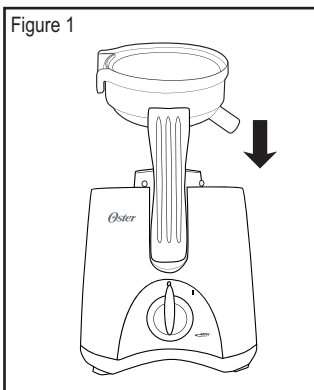
1. Powerful 400-watt Motor
2. Safety Locking Arms (both sides)
3. Food Chute
4. Stainless Steel Filter
5. Filter Basket
6. Large Capacity 600 mL (2.5-cup) Jar
7. Large Pulp Collector Container
8. ON/OFF Switch (I/O)
9. Food Pusher
10. Juice Extractor Lid/Cover
11. Motor Base Housing
12. Safety Switch (both sides)

# INSTRUCTIONS FOR USE

## BEFORE USING YOUR JUICE EXTRACTOR

Follow the assembling instructions listed below before using your Oster® Juice Extractor:

Figure 1



- Before you start assembling your juice extractor, make sure it is unplugged and it is placed on a dry and level surface

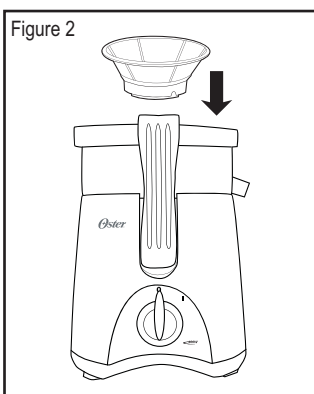
- Place filter basket on top of the motor base (Figure 1)

- Place the stainless steel filter on top of the filter basket pushing down and turning it until it fits into the grooves of the motor shaft (Figure 2)

- Place juicer cover/lid on top of the filter basket (Figure 3)

- Raise the safety locking arms, then lower them to securely fit into the grooves in the lid and then firmly press lower part of the locking arms into the unit ensuring they lock the lid into the unit (Figure 4)

Figure 2



- Place the pulp container into position by tilting it slightly (Figure 5)

**Important:** Make sure Pulp Container edge is underneath basket

- Place the 600 mL jar under the spout located on the right hand side of the juicer by tilting it slightly. Other jars or glasses can be used as well (Figure 6)

Figure 3

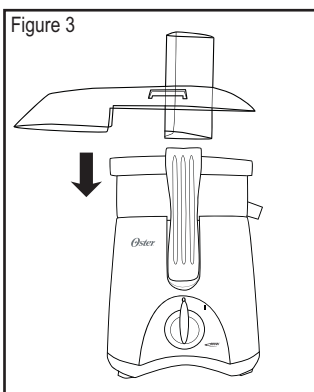


Figure 5

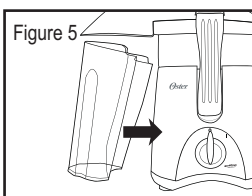


Figure 4

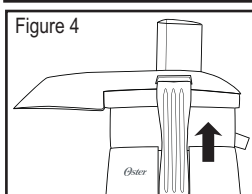
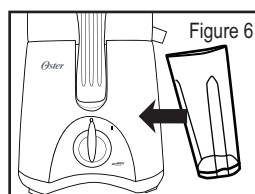


Figure 6



# OPERATING INSTRUCTIONS

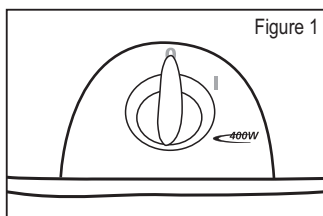
1. Prepare your fruits and vegetables by washing them thoroughly and peeling off those that need the skin removed.
2. Prepare the fruits and vegetables by cutting them into smaller pieces to ensure they will fit in the chute.
3. Make sure your juice extractor is properly assembled. Please follow the instructions from the section "Before Using Your Juice Extractor."
4. Ensure the juice extractor and its accessories are clean by following the cleaning and maintenance section of this manual.
5. Place the jar or any other container/glass you may wish to use to collect the juice under the spout and make sure the pulp collector is in place prior to begin juicing. Do not allow the pulp collector container to overfill as this may cause the unit to stall.
6. Plug the power cord into an electrical outlet and turn the unit on "I."
7. Once the juicer is on, place the fruits and vegetables on the food chute and use the food pusher slowly to drive them down. In order to extract the maximum amount of juice, it is important to push the food pusher slowly.
8. The juice extractor will separate the juice and the pulp in the jar and pulp collector while you are juicing.

**NOTE:** Both the pulp container as well as the jar can be emptied during juicing by turning the juice extractor off "O." Make sure to place both containers back in place before you resume juicing.

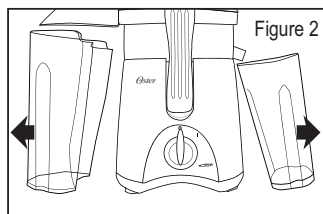
**NEVER USE HAND OR FINGERS TO PUSH FOOD DOWN THE FOOD CHUTE OR TO CLEAR THE FOOD CHUTE. ALWAYS USE THE FOOD PUSHER PROVIDED.**

# AFTER USING YOUR JUICE EXTRACTOR

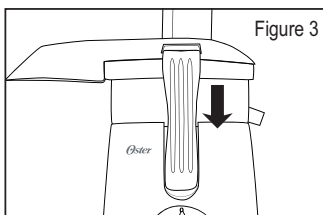
Before cleaning and storing your juice extractor, follow the instructions below to disassemble the unit:



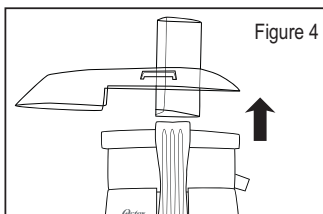
- Turn juice extractor off “O” and unplug it from the electrical outlet (**Figure 1**)



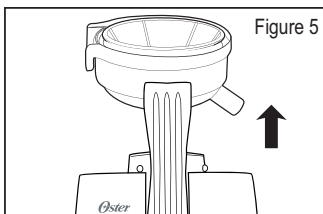
- Remove the jar and the pulp collector container by tilting it slightly (**Figure 2**)



- Unlock the safety locking arms to release the cover/lid (**Figure 3**)



- Lift the lid up and remove it from the juice extractor (**Figure 4**)

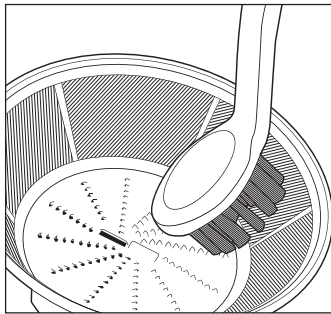


- In order to remove the filter basket and the filter, hold the filter basket with two hands and then lift it straight up (**Figure 5**)

**WARNING: THE STAINLESS STEEL FILTER BASKET CONTAINS SMALL SHARP BLADES TO CUT AND PROCESS FRUITS AND VEGETABLES. DO NOT TOUCH BLADES WHEN HANDLING THE FILTER BASKET.**

# CLEANING

- After disassembling all removable parts of the juice extractor, wash them by hand with warm soapy water or in the dishwasher (top shelf only). If the pulp dries out in the pulp collector container, the filter or the filter basket, let it soak in water for approximately 10 minutes before washing it
- Wipe the motor base with a damp cloth
- It is very important to keep the filter very clean, free of residues blocking the holes in order to ensure optimal performance. Use a nylon brush to clean it thoroughly, if necessary. If the holes in the mesh remain blocked, soak the filter in hot water with a water solution with 10% lemon juice



**NOTE: DO NOT IMMERSE THE MOTOR BASE IN WATER OR ANY OTHER LIQUID.**

# MAINTENANCE

- Some plastic parts might stain when in contact with some fruits and vegetables for too long. In order to avoid this from happening, all parts should be washed immediately after each use



# PROBLEMS AND SOLUTIONS

PROBLEM	SOLUTION
<p>Juice Extractor will not work after switching on "I"</p>	<ul style="list-style-type: none"> <li>• Safety locking arms may not be locked properly in its position</li> <li>• Turn off and unplug unit and ensure all parts are assembled properly</li> <li>• Turn off and unplug unit and check if there are any residues blocking the unit</li> </ul>
<p>Motor makes loud noise and unit starts vibrating</p>	<ul style="list-style-type: none"> <li>• Turn off and unplug unit and ensure all parts are assembled properly</li> <li>• Juicing overripe fruits may produce too much pulp and clog the filter. Turn off and unplug unit and clean the filter thoroughly</li> </ul>
<p>Motor appears to stall when juicing</p>	<ul style="list-style-type: none"> <li>• If pulp starts building up under the lid, slow down the juicing process. Turn off and unplug unit and clean the filter basket, the stainless steel filter and the lid</li> </ul>
<p>Too much pulp build up on stainless steel filter</p>	<ul style="list-style-type: none"> <li>• Follow the instructions to disassemble the unit included in the "After Using Your Juice Extractor" section. Clean up pulp from the filter</li> </ul>
<p>Pulp too wet and reduced juice extraction</p>	<ul style="list-style-type: none"> <li>• Try a slower juicing action. Remove stainless steel mesh filter and thoroughly clean mesh with a nylon brush. Rinse the filter basket with hot water. If the fine mesh holes are blocked, soak the basket in a solution of hot water with 10% lemon juice to unblock the holes or wash in the dishwasher. This will remove excess fiber build up (from fruit or vegetables), which could be reducing the flow of juice</li> </ul>
<p>Juice leaks between the rim of the Juicer and Cover the Filter.</p>	<ul style="list-style-type: none"> <li>• Try a slower juicing action by pushing the Food Pusher down slower</li> </ul>

# TIPS AND SUGGESTIONS

- Do not place any fruits or vegetables until you turn the unit on. Allow unit to run for at least 10 seconds before you start juicing
- Do not allow the pulp container to overfill as this may prevent correct operation or damage the unit
- Ensure to remove large pits from fruits such as peach, mango, etc as they can damage the unit
- You can use a plastic bag inside the pulp collector container to avoid having to clean it
- Do not use bananas or avocados as they do not contain juice and will clog the unit. You can use a blender to add them to the juice
- You can use the pulp of the juices you prepare in a variety of ways. The pulp from fruits and vegetables contains high amounts of fiber and cellulose, which are essential for a healthy and well balanced diet. You can use the pulp to thicken soups, bulk up rissoles and thicken casseroles or to enhance your desserts. Make sure to use the pulp the same day you juice to avoid loss vitamins

# DRINK RECIPES

## FRUIT POTPOURRI

### Ingredients:

4 medium apricots  
2 cups cubed melon  
1 large apple  
1 orange

### Preparation:

Process the fruits in the Oster® Juice Extractor, mix well and add a few ice cubes. Serve immediately.

## PINK CLOUD

### Ingredients:

1 cup strawberries  
1 cored orange  
1 cup cubed pear  
1 small carrot

### Preparation:

Process the fruits in the Oster® Juice Extractor, mix thoroughly. Serve immediately. Add a few ice cubes.

## MIRACLE EXTRACT

### Ingredients:

1 cup pineapple cubes  
1 apple cubes  
2 small carrots  
1 cored orange  
2 celery stalks  
1 lime with peel

### Preparation:

Process the fruits with the Oster® Juice Extractor, mix well. Add a few ice cubes. Serve immediately.

## ENERGY COCKTAIL

### Ingredients:

2 cups carrot  
½ cup cucumber  
12 spinach leaves  
1 lime with peel  
1 cup celery  
1 apple  
2 tablespoons honey  
1 tomato

### Preparation:

Process ingredients in the Oster® Juice Extractor, except the honey. Mix honey and juice well. Serve immediately, adding a few ice cubes as desired.

## TOMATO COCKTAIL

### Ingredients:

8 tomatoes  
4 celery stalks  
1 lime, peeled  
1 carrot  
½ teaspoon salt  
1 tablespoon Worcestershire sauce

### Procedure:

Wash vegetables thoroughly. Process the tomatoes, celery, lime and cucumbers. Mix the juices, add condiments, and stir well. Serve over ice in tall glasses. Garnish with a celery leaf. Yields 4 servings.

## TEMPTATION

### Ingredients:

6 apricots  
2 cups melon  
½ cup orange juice

### Preparation:

Process the fruits with the Oster® Juice Extractor. Mix well the resulting extract. Add 6 ice-cubes. Serve immediately in medium glasses garnished with strawberries or a maraschino cherry and an orange slice.

## SURPRISE PINEAPPLE CAKE

### Ingredients:

¾ cup pineapple extract  
10 tablespoons butter  
1 tablespoon powdered sugar  
2 egg yolks  
1 cup sweet condensed milk  
54 lady-finger biscuits

### Caramel:

¼ cup water  
1 cup sugar

### Decoration:

1 can sliced pineapple  
6-10 maraschino- cherries

### Preparation:

Use the Oster® Juice Extractor to obtain the pineapple extract. With an Oster® mixer, beat the butter until creamy. Slowly add the sugar, yolks and sweetened condensed milk. Continue beating until fluffy, and then add the pineapple extract. Grease a spring mold lightly with butter, and build the cake by covering bottom and slides of the pan with the lady-finger biscuits slightly moistened with the canned pineapple's syrup. Then add a layer of cream. Followed by a layer of biscuits, and so on until finishing with a layer of cream. Cool cake in refrigerator for three hours and unmold. Make caramel by boiling sugar and water. Decorate the cake with pineapple slices, maraschino cherries and caramel threads. Using a spring mold will yield the best results.

# 1 – YEAR LIMITED WARRANTY

Sunbeam Products, Inc. doing business as Jarden Consumer Solutions “JCS” warrants that for a period of ONE year from the date of purchase, this product will be free from defects in material and workmanship. JCS, at its option, will repair or replace this product or any component of the product found to be defective during the warranty period. Replacement will be made with a new or remanufactured product or component. If the product is no longer available, replacement may be made with a similar product of equal or greater value. This is your exclusive warranty.

This warranty is valid for the original retail purchaser from the date of initial retail purchase and is not transferable. Keep the original sales receipt. Proof of purchase is required to obtain warranty performance. OSTER® dealers, service centers, or retail stores selling OSTER® products do not have the right to alter, modify or any way change the terms and conditions of this warranty.

This warranty does not cover normal wear of parts or damage resulting from any of the following: negligent use or misuse of the product, use on improper voltage or current, use contrary to the operating instructions, disassembly, repair or alteration by anyone other than an Oster® Authorized Service Center. Further, the warranty does not cover: Acts of God, such as fire, flood, hurricanes and tornadoes.

JCS shall not be liable for any incidental or consequential damages caused by the breach of any express, implied or statutory warranty or condition. Except to the extent prohibited by applicable law, any implied warranty or condition of merchantability or fitness for a particular purpose is limited in duration to the duration of the above warranty.

How To Obtain Warranty Service: Please see the country specific warranty insert or contact your local authorized distributor.

**PLEASE DO NOT RETURN THIS PRODUCT TO THE PLACE OF PURCHASE.**

# IMPORTANTES MESURES DE SÉCURITÉ

L'utilisation d'appareils électriques nécessite certaines précautions élémentaires d'emploi et notamment les suivantes:

- Lire soigneusement toutes les instructions avant d'utiliser la Centrifugeuse
- Pour éviter tout risque d'électrocution, NE PAS plonger le cordon ou le socle-moteur dans l'eau ou tout autre liquide
- Ne pas laisser un enfant se servir ou s'approcher sans surveillance de l'appareil
- Débrancher après usage, avant de retirer ou d'ajouter des éléments et avant de nettoyer
- Éviter tout contact avec les éléments en mouvement. NE PAS toucher les petites lames coupantes qui se trouvent à la base du filtre en acier inoxydable
- Ne pas utiliser un appareil lorsque le cordon ou la fiche électrique est endommagé, ni lorsque cet appareil ne fonctionne pas normalement, qu'il est tombé ou qu'il a subi quelque dommage que ce soit. En cas de réparation, vérification ou mise au point technique ou mécanique, veuillez retourner l'appareil au centre de service agréé le plus proche de chez vous
- L'usage d'accessoires non recommandés ou vendus par le fabricant peut provoquer un incendie ou une électrocution et peut entraîner des blessures
- Ne pas utiliser à l'extérieur
- Ne pas laisser le cordon électrique pendre sur le bord d'une table ou d'un comptoir
- Ne pas mettre le cordon électrique en contact avec des surfaces chaudes, four inclus
- Ne pas se servir de cet appareil de manière continue pour plus de 5 minutes
- Assurez-vous que le couvercle de la Centrifugeuse est bien verrouillé avant de mettre le moteur en route. NE PAS déverrouiller le couvercle pendant que la Centrifugeuse est en marche
- Assurez-vous que le bouton est bien sur arrêt « OFF » après vous être servi de la Centrifugeuse. Assurez-vous que le moteur est bien arrêté avant de démonter les éléments
- **NE PAS METTRE LES DOIGTS NI AUCUN OBJET DANS L'ORIFICE D'ÉCOULEMENT PENDANT QUE L'APPAREIL EST EN MARCHÉ. SI LES ALIMENTS SE COINCENT DANS L'ORIFICE, UTILISER LE PILON OU AUTRE MORCEAU DE FRUIT OU LÉGUME POUR POUSSER. SI CELA N'EST PAS POSSIBLE, ÉTEINDRE LE MOTEUR ET DÉMONTER LES ÉLÉMENTS DE LA CENTRIFUGEUSE POUR RETIRER LES ALIMENTS RESTANTS**
- NE PAS se servir de l'appareil si le panier perforé est endommagé
- NE PAS pousser les aliments avec les doigts. Utiliser toujours le pilon pourvu avec l'appareil
- NE PAS toucher les petites lames coupantes qui se trouvent à la base du filtre en acier inoxydable

- Toujours vous assurer que tous les éléments de la centrifugeuse sont bien en place avant de mettre en marche. L'appareil ne démarrera pas si tout n'est pas parfaitement assemblé
- Toujours utiliser la Centrifugeuse sur une surface sèche et plane.
- Toujours mettre l'interrupteur sur la position d'arrêt avant de débrancher la prise
- NE PAS mettre l'appareil sur ou à côté d'une gazinière ou plaque électrique en fonctionnement ou sur une surface qui soit en contact avec un four chauffé.
- Cet appareil n'est pas fait pour être utilisé par des personnes (ou des enfants) handicapés moteurs, sensoriels ou mentaux, ou par des personnes avec peu d'expérience et connaissance, à moins d'être sous supervision ou d'avoir reçu des instructions concernant son usage, par une personne responsable de leur sécurité.
- Les enfants devraient être sous surveillance pour s'assurer qu'ils ne jouent pas avec l'appareil.

## POUR USAGE DOMESTIQUE SEULEMENT

# CONSERVER CES INSTRUCTIONS

### (Pour 120/127 volts seulement)

A fin de réduire le risque de choc électrique, cet appareil est muni d'une fiche électrique polarisée (l'une des lames est plus large que l'autre)

Ce type de fiche ne peut s'insérer dans une prise murale polarisée que dans un seul sens. C'est un dispositif de sécurité qui vise à réduire le risque de choc électrique.

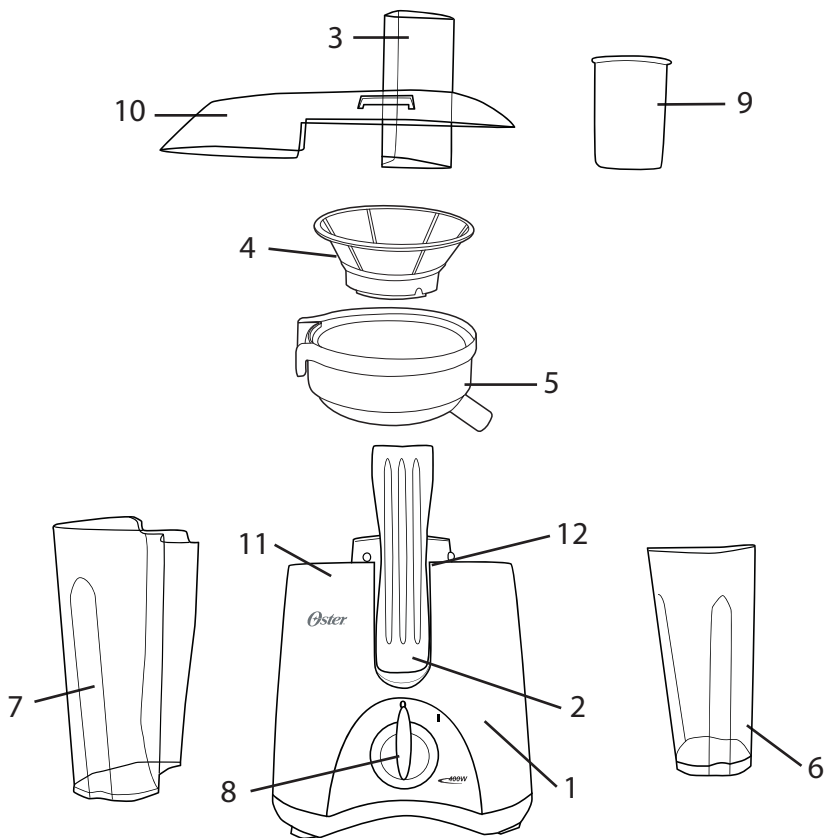
Si la fiche ne rentre pas parfaitement dans la prise, tournez-la dans l'autre sens.

Si elle ne rentre toujours pas, faites appel à un électricien professionnel.

Ne pas tenter de contourner ce dispositif de sécurité.

Si vous utiliser un câble d'alimentation détachable ou une rallonge, le cordon doit avoir une puissance équivalente à celle de la Centrifugeuse. Ne pas laisser pendre le cordon sur le bord d'un comptoir ou d'une table, un enfant pourrait tirer dessus ou s'y accrocher involontairement.

# DESCRIPTION DE L'APPAREIL



1. Puissant moteur de 400 Watts
2. Etrier de fermeture (les deux côtés)
3. Tube d'alimentation
4. Filtre en acier inoxydable
5. Panier à filtre
6. Récipient à jus d'un litre
7. Récipient à pulpe d'une grande capacité
8. Interrupteur de marche/arrêt
9. Pilon
10. Couverture de la Centrifugeuse
11. Socle-moteur
12. Interrupteur de sécurité (les deux côtés)

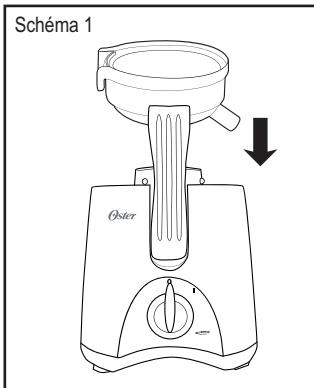


# MANUEL D'INSTRUCTIONS

## AVANT D'UTILISER VOTRE CENTRIFUGEUSE

Suivre les instructions d'assemblage ci-dessous avant d'utiliser votre Centrifugeuse Oster

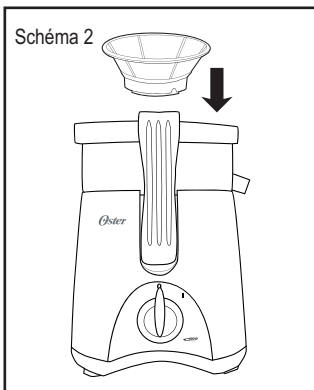
Schéma 1



- Avant de commencer à assembler votre Centrifugeuse, assurez-vous qu'elle est débranchée et qu'elle se trouve sur une surface sèche et plane
- Placer le panier sur le socle-moteur (schéma No 1)
- Placer le filtre en acier inoxydable au dessus du panier à filtre et enfoncer, tout en tournant, jusqu'à ce qu'il rentre dans les rainures de l'axe du moteur. (schéma No 2)

- Placer le couvercle sur le panier à filtre (schéma No 3)
- Lever les étriers de fermeture de sécurité, et les présenter face aux rainures du couvercle. Appuyer ensuite fermement sur la partie du bas pour verrouiller le couvercle (schéma No 4)

Schéma 2



- Mettre le récipient à pulpe en position en le faisant basculer légèrement (schéma No 5)
- Important :** assurez-vous que le bord du Récipient à Pulpe est bien en dessous du panier.

- Placer le récipient à jus sous le bec verseur qui se trouve sur le côté droit de la Centrifugeuse, en le faisant basculer légèrement. On peut aussi utiliser d'autres récipients ou verres (schéma No 6)

Schéma 3

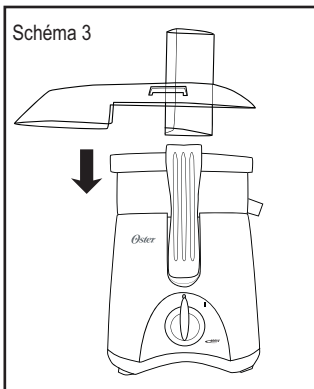


Schéma 5

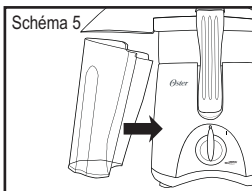


Schéma 4

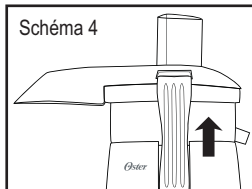
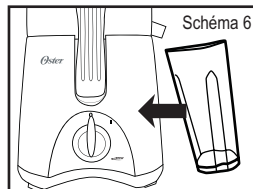


Schéma 6



# MODE D'EMPLOI

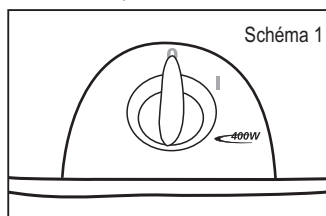
1. Nettoyer soigneusement les fruits et les légumes, éplucher au besoin.
2. Prepare the fruits and vegetables by cutting them into smaller pieces to ensure they will fit in the chute.
3. S'assurer que la Centrifugeuse est bien assemblée. Suivre les instructions détaillées du paragraphe intitulé 'Avant d'utiliser votre Centrifugeuse '
4. S'assurer que la Centrifugeuse et ses accessoires sont propres, pour cela suivre les instructions qui se trouvent dans le paragraphe correspondant au nettoyage et à l'entretien
5. Placez le verre ou quelconque autre récipient que vous désirez utiliser sous le bec verseur et assurez-vous que le récipient à pulpe est bien en place avant de mettre l'appareil en marche. Ne pas laisser le récipient se remplir à ras bord car cela pourrait amener l'appareil à caler.
6. Brancher le cordon sur la prise électrique et mettre le bouton de marche/arrêt sur « I »
7. Une fois que la Centrifugeuse est en marche, introduire les fruits et les légumes dans le tube d'alimentation et utiliser le pilon pour pousser. Afin d'extraire le maximum de jus, il est important de pousser lentement.
8. La centrifugeuse sépare le jus de la pulpe, chacun dans son récipient

**NOTE :** Les deux récipients –celui pour le jus et celui pour la pulpe- peuvent être vidés pendant que l'appareil est en marche, tout simplement en tournant le bouton de marche/arrêt sur la position « O » S'assurer que les deux récipients sont bien en place avant de continuer.

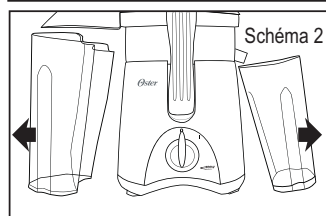
**NE JAMAIS UTILISER LA MAIN OU LES DOIGTS POUR POUSSER LES ALIMENTS DANS LE TUBE D'ALIMENTATION OU DANS L'ORIFICE D'ÉCOULEMENT. UTILISER TOUJOURS LE PILON POURVU AVEC L'APPAREIL**

# APRES L'USAGE DE VOTRE CENTRIFUGEUSE

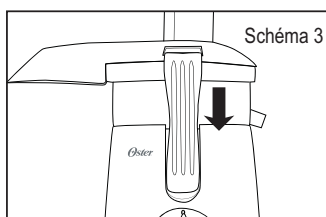
Avant de nettoyer et ranger votre Centrifugeuse, veuillez suivre les instructions ci-dessous pour désassembler votre appareil :



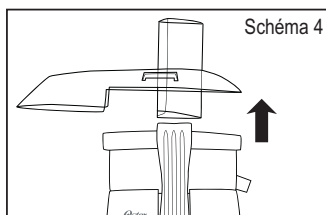
- Tourner le bouton de marche/arrêt sur la position « 0 » et débrancher l'appareil (**schéma No1**)



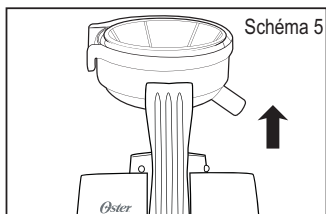
- Retirer le récipient à jus et le récipient à pulpe en les faisant basculer légèrement (**schéma No2**)



- Déverrouiller l'étrier de fermeture et le déplacer vers le bas à droite pour dégager le couvercle (**schéma No3**)



- Soulever le couvercle pour le retirer de la Centrifugeuse (**schéma No5**)

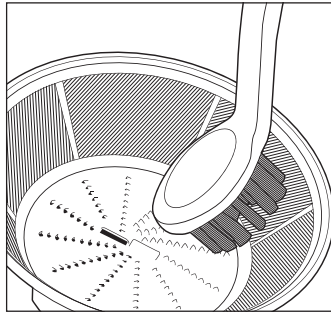


- Afin de retirer le panier et le filtre, prendre le panier avec les deux mains et soulever en le maintenant bien droit (**schéma No6**)

**ATTENTION :** le panier en acier inoxydable contient des petites lames qui coupent et transforment les fruits et les légumes. Eviter le contact avec les lames lors de toute manipulation du panier.

# NETTOYAGE

- Après avoir désassemblé tous les accessoires de la Centrifugeuse, laver chaque pièce à l'eau chaude avec un détergent doux ou placer les dans le lave-vaisselle (sur la partie du haut uniquement) Si la pulpe a séché dans le récipient, le filtre ou le panier, les faire tremper dans l'eau pendant environ 10 minutes avant de les laver.
- Essuyer le socle-moteur avec un linge doux et humide
- Il est très important de maintenir le filtre bien propre, sans résidus qui puissent bloquer les perforations, ceci afin d'assurer un usage optimum. Utiliser une brosse en nylon pour nettoyer en profondeur, si nécessaire. S'il reste encore des résidus dans les perforations du filtre, le faire tremper dans de l'eau chaude avec 10% de jus de citron.



**NOTE :** Ne pas faire tremper le socle-moteur dans de l'eau ou tout autre liquide

# ENTRETIEN

- Certains fruits et légumes peuvent tâcher les parties en plastiques. Pour éviter cela, bien nettoyer tous les éléments après chaque usage

# PROBLEMES ET SOLUTIONS

PROBLEME	SOLUTION
<p>La Centrifugeuse ne fonctionne pas, même après avoir tourné le bouton de marche/arrêt sur « I »</p>	<ul style="list-style-type: none"> <li>• Les étriers de fermeture de sécurité ne sont probablement pas fermés correctement</li> <li>• Eteindre l'appareil, le débrancher et s'assurer que tous les éléments sont bien assemblés</li> <li>• Eteindre l'appareil, le débrancher et s'assurer qu'aucun résidu ne fait obstruction</li> </ul>
<p>Le moteur est bruyant et l'appareil commence à vibrer</p>	<ul style="list-style-type: none"> <li>• Eteindre l'appareil, le débrancher et s'assurer que tous les éléments sont bien assemblés</li> <li>• Extraire le jus de fruits trop mûrs peut amener à générer une grande quantité de pulpe et obstruer le filtre. Eteindre l'appareil, le débrancher et bien nettoyer le filtre</li> </ul>
<p>Le moteur semble caler pendant l'extraction</p>	<ul style="list-style-type: none"> <li>• Si la pulpe commence à s'amasser sous le couvercle, cela ralentit l'extraction. Eteindre l'appareil, le débrancher et bien nettoyer le panier, le filtre en acier inoxydable et le couvercle.</li> </ul>
<p>Il y a trop de pulpe dans le panier en acier inoxydable</p>	<ul style="list-style-type: none"> <li>• Suivre les instructions de désassemblage de l'appareil qui se trouvent dans la partie intitulée « Après l'usage de votre Centrifugeuse » Enlever la pulpe du filtre.</li> </ul>
<p>La pulpe est trop humide et l'extraction est limitée</p>	<ul style="list-style-type: none"> <li>• Essayer une vitesse d'extraction plus lente. Retirer le filtre en acier inoxydable et le nettoyer en profondeur avec une brosse en nylon. Rincer le filtre sous l'eau chaude. Si les perforations sont bloquées par des résidus, faire tremper le panier dans de l'eau chaude avec 10% de jus de citron ou le mettre dans le lave-vaisselle sur la partie supérieure. Cela éliminera l'accumulation de fibre provenant de fruits ou légumes qui pourrait entraver le passage du jus.</li> </ul>
<p>Il y a des fuites entre le bord de la Centrifugeuse et le couvercle du filtre</p>	<ul style="list-style-type: none"> <li>• Essayer une vitesse d'extraction plus lente en poussant plus lentement les aliments avec le pilon</li> </ul>

## CONSEILS ET SUGGESTIONS

- Ne pas introduire de fruits ni de légumes avant de mettre l'appareil en marche. Laisser l'appareil marcher pendant 10 secondes avant de commencer l'extraction
- Ne pas laisser le récipient à pulpe se remplir à ras-bord, cela peut entraver la bonne marche de l'appareil et l'endommager.
- S'assurer de bien enlever les noyaux des fruits tels que les pêches, les mangues, etc....qui pourraient endommager l'appareil
- Il est possible d'utiliser un sachet en plastique à l'intérieur du récipient à pulpe pour éviter d'avoir à le nettoyer.
- Ne pas utiliser de bananes ou d'avocats, ils ne contiennent pas de jus et bloqueraient l'appareil. Vous pouvez utiliser un mixeur pour ajouter ces fruits aux autres jus.
- Vous pouvez utiliser la pulpe des jus que vous avez préparés de plusieurs manières différentes. La pulpe des fruits et des légumes contient beaucoup de fibre et de cellulose qui sont essentielles pour un régime équilibré et sain Vous pouvez utiliser la pulpe pour épaissir les soupes, les rissoles, les ragoûts et les desserts. Assurez-vous d'utiliser la pulpe au moment de l'extraction pour éviter la perte de vitamines.

# RECETTES

## POT-POURRI DE FRUITS

### Ingrédients:

4 abricots de taille moyenne  
2 tasses de melon coupé en dés  
1 grosse pomme  
1 orange

### Préparation :

Extraire le jus avec la Centrifugeuse Oster, bien mélanger et ajouter quelques cubes de glace. Servir immédiatement.

## NUAGE ROSE

### Ingrédients:

1 tasse de fraises  
1 orange pelée  
1 tasse de poire coupée en dés  
1 petite carotte

### Préparation:

Extraire le jus avec la Centrifugeuse Oster, bien mélanger. Servir immédiatement. Ajouter quelques cubes de glace.

## CONCENTRE MIRACULEUX

### Ingrédients:

1 tasse d'ananas coupé en dés  
1 tasse de pomme coupée en dés  
2 petites carottes  
1 orange pelée  
2 tiges de céleri  
1 citron entier

### Préparation:

Extraire le jus avec la Centrifugeuse Oster, bien mélanger. Ajouter quelques cubes de glace Servir immédiatement.

## COCKTAIL ENERGETIQUE

### Ingrédients:

2 tasses de carottes  
12 feuilles d'épinards  
1 citron entier  
1 tasse de céleri  
1 pomme  
2 cuillères à soupe de miel  
1 tomate

### Préparation:

Extraire le jus avec la Centrifugeuse Oster, bien mélanger avec le miel. Servir immédiatement. Ajouter quelques cubes de glace si nécessaire.

## COCKTAIL DE TOMATE

### Ingredients:

8 tomates  
4 tiges de céleri  
1 citron pelé  
1 carotte  
½ cuillère à café de sel  
1 cuillère à soupe de sauce  
Worcestershire

### Préparation:

Bien laver les légumes, extraire le jus des tomates, du céleri, du citron et des concombres avec la Centrifugeuse Oster. Bien mélanger les jus ensemble, ajouter les condiments et mélanger. Servir dans de grands verres et sur des cubes de glace. Garnir avec une feuille de céleri.  
Pour 4 personnes

## TENTATION

### Ingrédients:

6 abricots  
2 tasses de melon  
½ tasse de jus d'orange  
1 cuillère de sauce Worcestershire

### Préparation:

Extraire le jus des fruits avec la Centrifugeuse Oster. Bien mélanger les jus ensemble, ajouter 6 cubes de glace. Servir immédiatement dans des verres de taille moyenne garnis de fraises ou d'une cerise confite et d'un quartier d'orange.

## GATEAU SURPRISE A L'ANANAS

### Ingrédients:

¾ de tasse d'extrait d'ananas  
10 cuillères de beurre  
1 cuillère à soupe de sucre en poudre  
2 jaunes d'œufs  
1 tasse de lait sucré condensé  
54 biscuits à la cuillère

### Caramel:

¼ de tasse d'eau  
1 tasse de sucre

### Décoration:

1 boîte d'ananas en rondelles  
6 à 10 cerises confites

### Préparation:

Utiliser la Centrifugeuse Oster pour obtenir l'extrait d'ananas. Avec le mixeur Oster, battre le beurre jusqu'à obtenir un mélange crémeux. Ajouter lentement le sucre, les jaunes d'œufs et le lait sucré condensé. Continuer de battre jusqu'à obtenir un mélange aéré et ensuite ajouter l'extrait d'ananas. Beurrer un moule, le couvrir avec les biscuits trempés dans le jus d'ananas provenant de la boîte, commencer par le fond et les côtés du moule. Ajouter ensuite une couche de crème, suivi par une couche de biscuits et ainsi de suite jusqu'à terminer par une couche de crème. Laisser le gâteau refroidir pendant 3 heures dans le réfrigérateur et démouler. Faire du caramel en amenant à ébullition l'eau et le sucre. Décorer le gâteau avec les rondelles d'ananas, les cerises confites et le coulis de caramel.



# 1 AN DE GARANTIE LIMITEE

Sunbeam Products, Inc ("JCS") faisant affaires sous le nom de Jarden Consumer Solutions garantit que pour une période de (1) an, à partir de la date d'achat, ce produit ne présentera aucun vice matériel ou de fabrication. JCS fera le choix de réparer ou de remplacer ce produit ou tout autre élément défectueux pendant la période de garantie. Le remplacement consistera en un produit -ou élément- nouveau ou re-manufacturé. Si le produit n'est plus disponible, il sera remplacé par un produit similaire d'une valeur comparable ou supérieure. Cela constitue votre garantie exclusive.

Cette garantie est valable pour l'acheteur original à partir de la date d'achat initiale et ne peut être transférée. Conservez le reçu d'achat original. Une preuve d'achat est requise pour que la garantie puisse s'appliquer. Les revendeurs, centres de service ou magasins Oster® n'ont pas le droit de transformer, modifier ou de changer, de quelque façon que ce soit, les termes et conditions de cette garantie

Cette garantie ne couvre ni l'usure normale des pièces ni les dommages encourus lors des situations suivantes: utilisation inappropriée ou négligente du produit, utilisation sous un voltage ou courant inadéquat, utilisation contraire au mode d'emploi, démontage, réparation ou modification par toute entité autre que le service après-vente agréé par Oster®. De plus, la garantie ne couvre pas les dommages encourus lors d'évènements provoqués par la Nature tels que: incendie, inondation, ouragans et tornades.

JCS ne sera pas tenu responsable de tout dommage encouru de manière accidentelle ou conséquente découlant du manquement des conditions de garantie implicites ou statutaires. A moins que ce ne soit interdit par la loi en vigueur, toute garantie, condition marchande ou définition d'usage est limitée à la durée de la garantie mentionnée ci-dessus

Comment obtenir un service après-vente sous garantie : veuillez consulter l'insert correspondant à votre pays ou veuillez contacter votre distributeur local agréé.

**NE PAS RETOURNER CE PRODUIT A L'ENDROIT OU VOUS AVEZ EFFECTUE VOTRE ACHAT**

# PRECAUCIONES IMPORTANTES

Cuando se utiliza cualquier artefacto eléctrico siempre se deben seguir precauciones básicas de seguridad, incluyendo las siguientes:

LEA TODAS LAS INSTRUCCIONES ANTES DE UTILIZAR SU EXTRACTOR DE JUGOS.

- Para protegerse contra el riesgo de una descarga eléctrica, **NO** sumerja el cable o la base del motor en agua u otros líquidos
- Se necesita supervisión cercana cuando este artefacto esté siendo utilizado cerca de niños
- Desenchufe su extractor de jugos cuando no lo esté utilizando, cuando esté colocando o retirando accesorios, y antes de limpiarlo
- Evite el contacto con partes en movimiento. **NO** toque las cuchillas para picar pequeñas que se encuentran en la base del filtro de acero inoxidable
- **NO** opere ningún artefacto con un cable o enchufe dañado, después de que el artefacto haya fallado o si se cae al suelo o se daña de cualquier otra manera. Regrese el artefacto al Centro de Servicio Autorizado Oster® más cercano para examinarlo, repararlo o para ajustarlo mecánicamente o eléctricamente
- El uso de accesorios no recomendados o vendidos por el fabricante del artefacto puede causar fuego, descarga eléctrica o daños corporales a las personas
- **NO** la utilice al aire libre
- **NO** permita que el cable cuelgue del borde de la mesa o mostrador
- **NO** permita que el cable toque superficies calientes, incluyendo el horno
- **NO** opere este artefacto por más de 5 minutos consecutivos
- Siempre asegúrese de que la tapa de su extractor de jugos está ajustada de manera segura en su lugar antes de encender el motor. **NO** retire la tapa de su extractor mientras está operando
- Asegúrese de colocar el botón de apagado en la posición de "OFF" después de utilizar su extractor de jugos. Asegúrese de que el motor pare por completo antes de comenzar a desensamblar el artefacto
- **NO COLOQUE LOS DEDOS NI NINGÚN OTRO OBJETO DENTRO DEL TUBO DE ALIMENTACIÓN DE SU EXTRACTOR MIENTRAS ESTÉ OPERANDO. SI ALGÚN ALIMENTO SE QUEDA ALOJADO EN EL TUBO, UTILICE EL EMPUJADOR DE ALIMENTOS U OTRO TROZO DE FRUTA O VEGETAL PARA EMPUJAR HACIA ABAJO. CUANDO NO ES POSIBLE REALIZAR ESTE MÉTODO, APAGUE EL MOTOR Y DESARME EL EXTRACTOR PARA REMOVER CUALQUIER RESTO DE ALIMENTO**
- **NO** utilice el artefacto si el filtro se encuentra dañado
- **NO** empuje los alimentos por el tubo de alimentación con sus dedos. Siempre utilice el empujador de alimentos proveído
- **NO** toque las cuchillas pequeñas localizadas en la base de la cesta del filtro de acero inoxidable

- Siempre asegúrese de que el extractor de jugos esté apropiado y completamente ensamblado antes de operarlo. La unidad no podrá encenderse si no está correctamente ensamblada
- Siempre utilice su extractor de jugos sobre una superficie seca y nivelada
- Siempre apague su extractor de jugos antes de desenchufar el cable del tomacorriente
- **NO** coloque este artefacto sobre o cerca de quemadores de estufas de gas o eléctricas, ni adonde pueda tener contacto con un horno caliente
- Este artefacto no ha sido diseñado para ser utilizado por personas con incapacidades físicas, sensoriales o mentales, o con falta de experiencia y conocimiento (incluyendo a los niños), a menos que una persona responsable de su seguridad los supervise e instruya con respecto al uso del artefacto
- Los niños deben ser supervisados para asegurarse de que no jueguen con el artefacto

**ESTA UNIDAD ESTA DISEÑADA SOLO PARA USO DOMESTICO.**

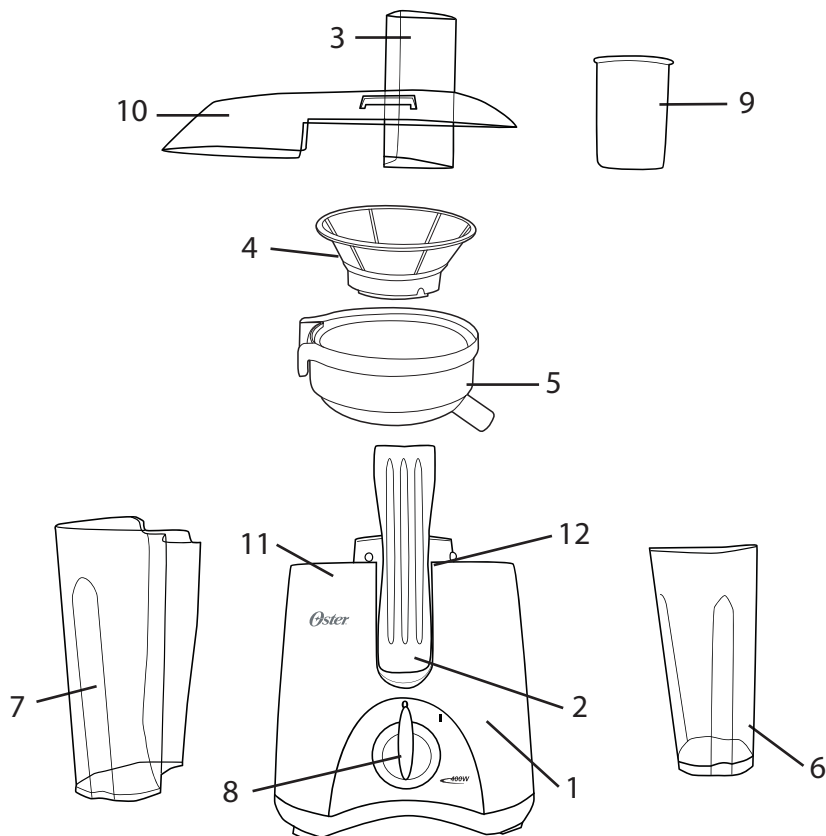
## CONSERVE ESTAS INSTRUCCIONES

### (Para 120 y 127 Voltios)

Para reducir el riesgo de una descarga eléctrica, este artefacto cuenta con un enchufe polarizado (una clavija es más ancha que la otra). Este enchufe entra sólo de una manera en un tomacorriente polarizado. Si el enchufe no entra correctamente en el tomacorriente, simplemente colóquelo al revés. Si todavía no entra, comuníquese con un electricista competente. De ninguna manera intente modificar o forzar la conexión diseñada como medida de seguridad.

Si se utiliza un cable de extensión la capacidad nominal eléctrica del cable de extensión debe ser el mismo del producto. El cable de extensión deberá colocarse de manera que no cuelgue del borde del mostrador o mesa donde pueda tirarlo un niño o pueda topezar con él accidentalmente.

# DESCRIPCION DEL ARTEFACTO

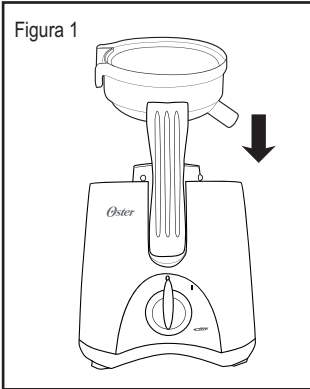


1. Poderoso Motor de 400 watts
2. Palancas de Cierre Seguras (ambos lados)
3. Tubo de Alimentación
4. Filtro de acero inoxidable
5. Canasta de Filtro
6. Jarra de 600 ml de capacidad
7. Contenedor de gran capacidad para Recolectar la Pulpa
8. Botón de Encendido/Apagado (I/O)
9. Empujador de Alimentos
10. Tapa del Extractor
11. Base del Motor
12. Interruptor de Seguridad (ambos lados)

# INSTRUCCIONES DE USO

## ANTES DE UTILIZAR SU EXTRACTOR DE JUGOS

Siga las siguientes instrucciones de ensamblaje listadas a continuación antes de utilizar su Extractor de Jugos Oster®:

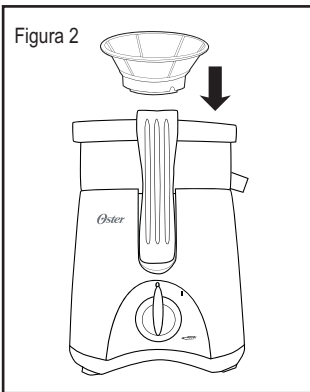


- Antes de comenzar a ensamblar su extractor de jugos, asegúrese de desenchufar el cable del tomacorriente y colocar el artefacto sobre una superficie seca y nivelada

- Coloque la canasta del filtro encima de la base del motor (Figura 1)

- Coloque el filtro de acero inoxidable encima de la canasta del filtro apretándolo hacia abajo y girándolo hasta que quede bien ajustado en las ranuras del eje del motor (Figura 2)

- Coloque la tapa encima de la canasta del filtro (Figura 3)

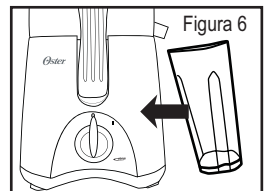
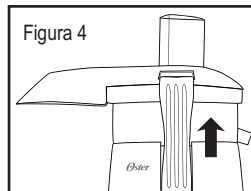
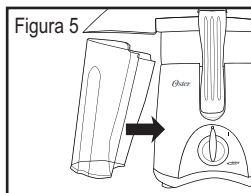
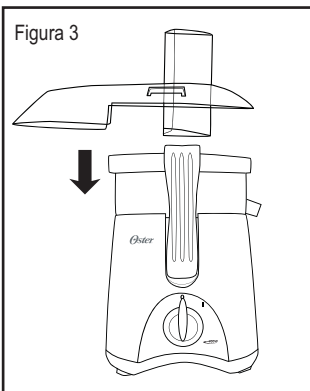


- Levante las palancas de seguridad, luego bájelas para asegurarlas en las ranuras de la tapa; presione firmemente la parte más baja de las palancas asegurándose de que la tapa quede bien cerrada en la unidad (Figura 4)

- Coloque el contenedor de pulpa en su posición inclinándolo ligeramente (Figura 5)

**Importante:** Cerciérese de que el Contenedor de Pulpa se encuentre colocado debajo de la canasta

- Coloque la jarra de 600 ml inclinándola ligeramente hasta que quede justo debajo de la boquilla localizada en la parte derecha del extractor de jugos (Figura 6)



# INSTRUCCIONES DE COMO UTILIZAR SU EXTRACTOR DE JUGOS

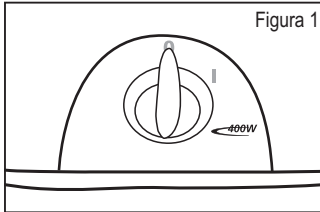
1. Prepare sus frutas y vegetales lavándolas minuciosamente y pelando aquellas que necesiten que la piel sea removida.
2. Prepare las frutas y vegetales cortandolos en pedazos pequeños para que puedan entrar en el tubo de alimentación.
3. Asegúrese de que su extractor de jugos está correctamente ensamblado. Por favor siga las instrucciones de la sección “Antes de Utilizar su Extractor de Jugos”.
4. Asegúrese de que su extractor de jugos y los accesorios están limpios siguiendo las instrucciones de la sección de limpieza y mantenimiento de este manual.
5. Coloque la jarra o cualquier otro recipiente/vaso que usted desee utilizar para coleccionar el jugo debajo de la boquilla y asegúrese que el recolector de pulpa está en su lugar antes de comenzar a utilizar su extractor de jugos. No permita que el recolector de pulpa se llene demás, ya que esto poderia trabar la unidad.
6. Enchufe el cable en el tomacorriente eléctrico y coloque su extractor de jugos en la posición de encendido “I”.
7. Una vez que el extractor de jugos está encendido, coloque las frutas y vegetales dentro del tubo de alimentación y utilice el empujador de alimentos suavemente para llevar las frutas y los vegetales hacia abajo. Para extraer la máxima cantidad de jugo, es importante empujar los alimentos suavemente.
8. El extractor de jugos separará el jugo de la pulpa, colocando el jugo en la jarra y la pulpa en el recolector de pulpa, mientras está en el proceso de extracción.

NOTA: Tanto el contenedor de la pulpa como la jarra deben vaciarse durante el proceso de extracción colocando su extractor de jugos en la posición de apagado “O”. Asegúrese de colocar en su lugar ambos recipientes antes de seguir extrayendo el jugo.

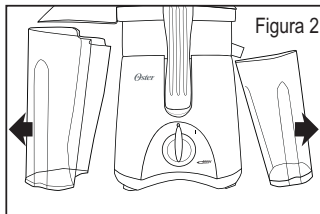
**NUNCA UTILICE LAS MANOS O LOS DEDOS PARA EMPUJAR LAS FRUTAS Y LOS VEGETALES HACIA ABAJO POR EL TUBO DE ALIMENTACION. SIEMPRE UTILICE EL EMPUJADOR DE ALIMENTOS PROVEIDO ESPECIALMENTE PARA ESTE PROPOSITO.**

# DESPUES DE UTILIZAR SU EXTRACTOR DE JUGOS

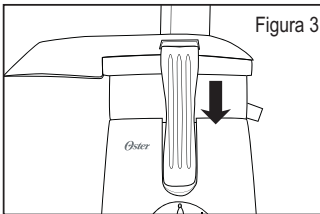
Antes de limpiar y guardar su extractor de jugos, siga las siguientes instrucciones para desarmar la unidad.



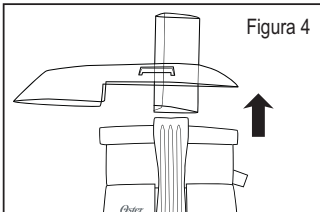
- Apague su extractor de jugos colocándolo en la posición de "O" y desenchúfelo del tomacorriente (Figura 1)



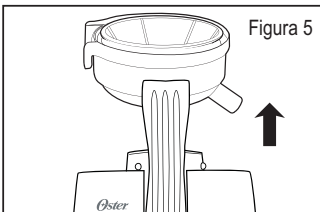
- Remueva la jarra y el recolector de jugo inclinándolos ligeramente (Figura 2)



- Abra las palancas de seguridad para liberar la tapa del extractor (Figura 3)



- Levante la tapa y remuévala del extractor de jugos (Figura 4)

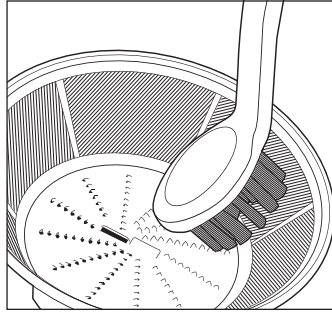


- Para poder remover el filtro y la canasta del filtro, sostenga la base del motor y levante la canasta del filtro hacia arriba (Figura 5)

**ADVERTENCIA: EL FILTRO DE ACERO INOXIDABLE CONTIENE PEQUEÑAS CUCHILLAS CORTANTES PARA CORTAR Y PROCESAR FRUTAS Y LOS VEGETALES. NO TOQUE LAS CUCHILLAS CUANDO ESTE MANIPULANDO EL FILTRO.**

# LIMPIEZA

- Una vez desarmadas todas las partes removibles del extractor de jugos, lávelas a mano con agua caliente y jabón o en el lavaplatos automático (en la parte superior exclusivamente). Si la pulpa se llegase a secar dentro del recolector de pulpa, el filtro o la canasta del filtro, déjelo remojando en agua por 10 minutos aproximadamente antes de lavarlos
- Limpie la base del motor con un paño húmedo
- Para asegurar un óptimo desempeño es muy importante mantener el filtro limpio, libre de cualquier residuo que pueda bloquear los agujeros. Utilice un cepillo de nylon para limpiarlo exhaustivamente si es necesario. Si los agujeros del filtro siguen bloqueados, remoje el filtro con una solución de agua con 10% de limón



**NOTA: NO SUMERJA LA BASE DEL MOTOR EN AGUA NI EN NINGUN OTRO LIQUIDO.**

# MANTENIMIENTO

- Una decoloración del plástico podría ocurrir con frutas y vegetales que cuentan con un color fuerte. Para ayudar a prevenir esto, lave las partes inmediatamente después de cada uso



# GUIA DE SOLUCION DE PROBLEMAS

PROBLEMA	SOLUCION
<p>La unidad no trabaja cuando se coloca el interruptor de encendido en "I"</p>	<ul style="list-style-type: none"> <li>• La palancas de cierres aseguradoras quizás no estén correctamente enganchadas</li> <li>• Desenchufe la unidad y asegúrese de que todas las partes estén ensambladas correctamente</li> <li>• Desenchufe la unidad y asegúrese de que ningún residuo esté bloqueando la unidad</li> </ul>
<p>El motor está haciendo mucho ruido y la unidad comienza a vibrar</p>	<ul style="list-style-type: none"> <li>• Desenchufe la unidad y asegúrese de que todas las partes estén ensambladas correctamente</li> <li>• El procesar frutas puede producir un exceso de pulpa y atascar el filtro. Apague la unidad, desenchúfela y limpie exhaustivamente el filtro</li> </ul>
<p>El motor parece estancarse cuando está en el proceso de extracción</p>	<ul style="list-style-type: none"> <li>• Apague la unidad y limpie la canasta del filtro, el filtro de acero inoxidable y la tapa</li> </ul>
<p>Un exceso de pulpa se acumuló en el filtro de acero inoxidable</p>	<ul style="list-style-type: none"> <li>• Siga las instrucciones de cómo desamar de la unidad, incluyendo la sección "Mantenimiento y Limpieza"</li> </ul>
<p>La pulpa está demasiado mojada y reduce el proceso de extracción</p>	<ul style="list-style-type: none"> <li>• Trate de extraer el jugo más lentamente. Remueva el filtro de acero inoxidable y limpie generosamente las paredes de la malla con un cepillo de nylon. Enjuague el filtro con agua caliente. Si los agujeros de la malla siguen obstruidos, sumerja el filtro en una solución de agua caliente con 10% de jugo de limón para destapar los pequeños agujeros, o si lo prefiere, lávelo en la parte superior de su lavaplatos automático. Esto removerá el exceso de fibra acumulada de las frutas o vegetales que podrían estar inhibiendo el flujo del jugo</li> </ul>
<p>El jugo está goteando entre el borde del extractor y la tapa del filtro.</p>	<ul style="list-style-type: none"> <li>• Trate de llevar a cabo más lentamente el proceso de extracción de jugos colocando los alimentos despacio con el tubo de alimentación</li> </ul>

# CONSEJOS Y SUGERENCIAS

- No coloque ninguna fruta o vegetal dentro de la unidad hasta que se encuentre encendida. Deje que la unidad esté encendida por lo menos por 10 segundos antes de comenzar el proceso de extracción de jugos
- No permita que el contenedor de pulpa se llene, esto puede ocasionar mal funcionamiento o dañar la unidad
- Asegúrese de retirar las semillas grandes de las frutas, tales como las de duraznos, mangos, etc., que puedan dañar la unidad
- Usted puede colocar una bolsa de plástico adentro del contenedor de la pulpa para no tener que limpiarlo
- No utilice bananas o aguacates, ya que éstos no contienen ningún tipo de jugos y obstruyen la unidad. Utilice una licuadora para agregarlos a otros tipos de jugos
- Usted puede utilizar la pulpa de los jugos para prepararla en una gran variedad de maneras. La pulpa de las frutas y vegetales cuenta con un alto contenido de fibra y celulosa, esenciales para una dieta saludable y bien balanceada. La pulpa puede ser utilizada para darle gusto a las sopas y otras recetas, así como para endulzar postres. Asegúrese de usar la pulpa el mismo día que extrajo el jugo para evitar la pérdida del contenido vitamínico

# RECETAS DE BEBIDAS

## POUPURRI DE FRUTAS

### Ingredientes:

4 albaricoques medianos  
2 tazas de trozos de melón  
1 manzana grande  
1 naranja

### Preparación:

Procesar las frutas mencionadas en el Extractor de Jugos Oster®, mezclar bien y agregar unos cubitos de hielo al gusto. Servir inmediatamente.

## NUBE ROSA

### Ingredientes:

1 taza de fresas  
1 naranja pelada  
1 taza de peras en trozos  
1 zanahoria chica

### Preparación:

Procesar las frutas en el Extractor de Jugos Oster®, mezclar incorporando los jugos. Servir inmediatamente después de agregar algunos cubos de hielo.

## EXTRACTO MILAGROSO

### Ingredientes:

1 taza de piña en trozos  
1 taza de manzana en trozos  
2 zanahorias chicas  
1 naranja pelada  
2 tallos de apio  
1 limón con cáscara

### Preparación:

Procesar las frutas mencionadas en el Extractor de Jugos Oster®, mezclar bien y agregar cuatro cubitos de hielo. Servir inmediatamente.

## COCTEL DE ENERGIA

### Ingredientes:

2 tazas de zanahorias  
½ taza de pepino  
12 hojas de espinaca  
1 limón con cáscara  
1 taza de apio  
1 manzana  
2 cucharadas de miel  
1 tomate

### Preparación:

Procesar todo en el Extractor de Jugos Oster®, a excepción de la miel que se debe mezclar con el jugo. Sirva inmediatamente y si desea agregue unos cubitos de hielo.

## COCTEL DE TOMATE

### Ingredientes:

8 tomates  
4 ramas de apio  
1 limón pelado  
1 zanahoria  
1 pepino pelado  
½ cucharadita de sal  
¼ cucharadita de pimienta  
1 cucharada de salsa inglesa  
(Worcestershire)

### Preparación:

Lave bien los vegetales, procese los tomates, el apio, zanahoria, limón y el pepino. Mezcle los jugos, agregue los condimentos y revuelva bien. Sirva en vasos altos sobre hielo, coloque una rama de apio como decoración. Rinde 4 porciones.

## TENTACION

### Ingredientes:

6 duraznos  
2 tazas de melón  
½ taza de jugo de naranja

### Preparación:

Procese las frutas en el Extractor de Jugos Oster®, mezcle el extracto resultante y agregue 6 cubitos de hielo. Sirva inmediatamente en vasos medianos, decore con fresas o marrasquinos en una lasca de naranja.

## TORTA SORPRESA DE PIÑA

### Ingredientes:

¾ taza de extracto de piña  
10 cucharadas de mantequilla  
1 cucharada de azúcar en polvo  
2 yemas de huevo  
1 lata de leche condensada (dulce)  
54 bizcotelas/ dedos de ángel

### Preparación:

Utilice el Extractor de Jugos Oster® para obtener el extracto de piña. En una batidora Oster®, bata la mantequilla hasta que esté cremosa. Añada el azúcar, las yemas de huevo y la leche condensada poco a poco. Continúe batiendo hasta que esponje y finalmente añada el extracto de piña.

### Caramelo:

¼ taza de agua  
1 taza de azúcar

### Decoración:

1 lata de piña en rodajas  
6 a 10 cerezas en almíbar  
(marrasquinos)

Engrase con mantequilla un molde de aro y arme la torta forrando el fondo y las paredes laterales con las bizcotelas ligeramente humedecidas en el jugo de la lata de ananás, luego ponga una capa de la preparación anterior, nuevamente coloque bizcotelas y así sucesivamente hasta terminar con una capa de crema. Lleve al refrigerador por tres horas, desmóldela. Prepare el caramelo llevando al fuego el agua con el azúcar, dejando hervir

# 1 AÑO DE GARANTÍA LIMITADA

Sunbeam Products, Inc., operando bajo el nombre de Jarden Consumer Solutions ("JCS") garantiza que este producto estará libre de defectos en material o mano de obra por un periodo de un año a partir de la fecha de la compra. JCS, a su elección, reparará o reemplazará este producto o cualquier componente del producto que se encuentre defectuoso durante el período de garantía. El reemplazo será efectuado por un producto o componente nuevo o remanufacturado. Si el producto ya no está disponible, el reemplazo podrá ser efectuado por un producto similar de igual o mayor valor. Esta es su garantía exclusiva.

Esta garantía es válida para el comprador original al detalle desde la fecha de compra original al detalle y no es transferible. Guarde el recibo de venta original. Se requiere prueba de compra para obtener la garantía. Los concesionarios Oster®, Centros de Servicio Oster® Autorizado, o almacenes de ventas al detalle de productos Oster® no tienen el derecho de alterar, modificar o cambiar, de manera alguna, los términos y condiciones de esta garantía.

Esta garantía no cubre el desgaste normal de las piezas o daños causados por: uso negligente o mal uso del producto, uso en voltaje o corriente inapropiada, uso contrario a las instrucciones de operación, desarme, reparación o alteración por cualquier persona que no sea de un Centro de Servicio Oster® Autorizado. Además, esta garantía no cubre: Actos de la naturaleza, tales como incendios, inundaciones, huracanes o tornados. JCS no será responsable por ningún daño incidental o consecuente causado por el incumplimiento de la garantía o condición expresa, implícita o reglamentaria. Excepto hasta donde lo prohíben las leyes aplicables, cualquier garantía implícita o condición de comerciabilidad o aptitud para un propósito particular, está limitada en base a la duración de la garantía descrita arriba.

Cómo obtener Servicio de Garantía: Por favor consulte el inserto de la garantía correspondiente al país o póngase en contacto con su distribuidor autorizado local.

**NO REGRESE ESTE PRODUCTO AL LUGAR DE COMPRA.**

# BANCO DE DATOS DE LOS CENTROS DE SERVICIO AUTORIZADOS MEXICO

## SUNBEAM MEXICANA, S.A. DE C.V.

Avenida Juárez No. 40-201, Ex-Hacienda de Santa Mónica,  
Tlalneantla, Estado de México, C.P. 54050, Tel. 5366-0800, Fax 5366-0810

### PARA SERVICIO DE GARANTÍA Y VENTA DE PARTES, REFACCIONES Y ACCESORIOS ORIGINALES DIRÍJASE A:

#### CENTROS DE SERVICIO AUTORIZADO

ESTADO	CIUDAD / NOMBRE / DIRECCIÓN	TELÉFONO
Aguascalientes	Aguascalientes / Doméstica Muñoz / Jesus Maria No. 129-B.....	01-44-99-15-01-51
Chiapas	Tuxtla Gutiérrez / Compresores y Partes de Refrigeración / 2da. Poniente Sur No. 590, Col. Centro.....	01-96-16-13-73-25
Chihuahua	Cd. Juárez / Distribuidora Turmix / Paseo Triunfo de la Republica No. 5298, Local 2-A.....	01-65-66-17-80-30
Coahuila	Saltillo / Electricidad y Novedades / Morelos No. 199 Sur, Col. Centro.....	01-84-44-12-55-25
Distrito Federal	México / La Proveedora del Hogar / Norte 54-A No. 3803, Col. Río Blanco.....	01-55-55-37-31-73
Distrito Federal	México / Corporación Electrodoméstica Casa García / Av. Patriotismo No. 875-B, Col. Mixcoac.....	01-55-55-63-87-23
Distrito Federal	México / Reparadora del Hogar Tláhuac / FF. CC. Rafael Altíxco No. 1, Del. Tláhuac.....	01-55-58-42-44-89
Durango	Durango / Servicio Esparza / Carlos León de la Peña No. 320-A Sur.....	01-61-88-25-46-58
Estado De México	Cd. Neza / Casa Huerta / Av. Adolfo López Mateos No. 150, Col. Metropolitana.....	01-55-57-97-81-31
Estado De México	Satélite / La Proveedora del Hogar / Circunvalación Poniente No. 1, Local C.....	01-55-55-72-65-25
Estado De México	Ecatepec / Servicio Hergar / Via Morelos No. 26 Manzana 1, Col. Nuevo Laredo.....	01-55-57-87-75-36
Estado De México	Toluca / Servicio Doméstico Maralb / Ignacio López Rayón No. 206-D, Col. Centro.....	01-72-22-14-14-11
Guanajuato	Irapuato / Mecan Hogar - Ryse de Irapuato / Ramón Corona No. 137, Col. Centro.....	01-46-26-26-44-46
Guerrero	Acapulco / Televicentro / Velásquez de León No. 52, Col. Centro.....	01-74-44-82-03-49
Jalisco	Guadalajara / Magnetos y Refacciones / Av. La Paz No. 72.....	01-33-36-13-41-16
Jalisco	Guadalajara / Servicio de Mantenimiento Castillo / Garibaldi No. 1450, Sector Hidalgo.....	01-33-38-25-34-80
Jalisco	Guadalajara / Servicio y Venta de Refacciones para Electrodomésticos / Medrano No. 1344, Col. Olimpica.....	01-33-36-17-62-15
Michoacán	Morelia / Casa Mary / Álvaro Obregón No. 22, Zona Centro.....	01-44-33-12-54-15
Morelos	Cuernavaca / Mecánica Doméstica Industrial / Matamoros No. 38, Zona Centro.....	01-77-73-12-46-12
Nayarit	Tepec / Tecno Hogar / Av. México No. 37 Sur, Col. Centro.....	01-31-12-12-19-36
Nuevo León	Monterrey / Electrodoméstica de Refacciones / Fidel Velásquez No. 1513 Poniente, Local 4-F, Col. Central.....	01-81-83-71-73-73
Nuevo León	Monterrey / Refacciones Electrodomésticas / Ruperto Martínez No. 238 Oriente, Col. Centro.....	01-81-83-43-67-00
Nuevo León	Monterrey / Servicio Refacciones Héctor L. Sepúlveda / Zaragoza No. 203 Sur, Col. Centro.....	01-81-83-43-69-09
Oaxaca	Oaxaca / Servicio Electrodoméstico Aparicio / Av. Periférico Sur No 111, Col. Postal.....	01-95-15-13-62-77
Puebla	Puebla / Representaciones de Puebla / 3 Poniente No. 523-B, Col. Centro.....	01-22-22-42-49-55
Querétaro	Querétaro / Electrodomésticos Corregidora II / Prolongación Corregidora Norte No. 339-B, Col. Lindavista.....	01-44-22-22-85-50
Quintana Roo	Cancún / Refaccionaria del Hogar / SM. 66 MZ. 3 LOTE 47 LOCAL 4 Av. Torcasta Col. Centro.....	01-99-88-84-07-83
San Luis Potosí	San Luis Potosí / P.C. Electrodomésticos / Himno Nacional No. 1410, Col. Las Águilas.....	01-44-48-11-58-08
Sinaloa	Los Mochis / Nuevo Japon de los Mochis / Benito Juárez No. 430 Poniente, Col. Centro.....	01-66-88-12-58-50
Sonora	Hermosillo / Servicios Integrales Electrodomésticos / Presa del Fuerte No. 4, Col. El Ranchito.....	01-66-22-17-16-00
Tabasco	Villahermosa / Servicio y Refacciones Frías / Sánchez Magallanes No. 918.....	01-99-33-12-70-02
Tamaulipas	Tampico / Allende Comercializadora de Bienes y Servicios / Olmos No. 602 Norte col. Centro.....	01-83-32-14-41-88
Veracruz	Veracruz / Electrodomésticos del Puerto / Zamora No. 1479, Col. Centro.....	01-22-99-38-21-54
Yucatán	Mérida / Refaccionaria del Hogar / Calle 67 No. 511.....	01-99-99-23-56-52



**"UNA RESPUESTA PARA  
CADA PREGUNTA"**

¿Tiene Ud. alguna pregunta  
o comentario?

**Llámenos sin costo al: 01-800-506-17-00**

De lunes a viernes de las 8:00 hrs. a 20:00 hrs.  
Sábados de 9:00 hrs. A 14:00 hrs.

# BANCO DE DATOS DE LOS CENTROS DE SERVICIO AUTORIZADOS (OTROS PAISES)

## Argentina

Electro Service S.A  
Esmeralda 670  
Buenos Aires  
(1007)(5411) 4311-1355 / 6460, Fax(5411) 4311-6460  
Sr. Jaime Duran-Presidente  
es@electroservicesa.com.ar

## Aruba

B.J. Arends & Sons  
Wiheminastreet 59  
Oranjestad  
(297) 582-4250, Fax(297) 583-7921  
Elbert R. Arends-Director

## Barbados

Da Costa Mannings LTD  
103 Carlisle House Hincks Street  
Bridgetown  
(246) 430-4954, Fax(246) 426-5510  
Sra. Lucinda Grosvenor-Padmore - Compras  
lgrosvenor@dacostamannings.com

## Bolivia

Service Master Bolivia  
Condominio Santa Cruz I-Dpto 124, Barrio Obrero  
Calle Riquio, Santa Cruz  
(5913) 339-3837  
Sr. John Ruiz - Presidente  
jruiz@covatex.com

## Brasil

NS Service  
R. Clodomiro Amazonas, 1158 Lj.18  
Sao Paulo 04537-002  
(5511) 3849-3400  
Sr. Nelson Lecese - Presidente  
nsservice@uol.com.br

## Chile

CENTROSTER  
Nueva Los Leones 0252 Providencia  
Santiago de Chile  
(562) 232-7722, Fax(562)233-7409  
Sr. Francisco Vecchiola - Presidente  
centroster@entelchile.net

## Colombia

Oster Colombia  
Cra. 100 No.16-20, Piso 7, Oficina 701 Cali  
57 (2) 3331237  
Paulo Cesar Arias  
ariasp@oster.com

## Costa Rica

S.T.A. Alexis Bonilla 25 mts. Al Sur del Banco Popular,  
Paseo de los Estudiantes, San Jose 11873-1000  
(506) 221-7265, Fax (506) 256-6239  
Sr. Alexis Bonilla - Presidente  
albonsr@ice.co.cr

## Costa Rica

Taller Electron  
Alto de Guadalupe, frente a sala de juegos Pims  
San Jose  
(506) 2806697, Fax (506) 2804113  
Sr. Gerardo Mendez - Gerente  
gmendez@dosaocr.com

## Ecuador

Servicio Master Ecuador  
Av. 6 de Diciembre N° 49276 y Los Alamos  
Quito  
(5932) 2813-882  
Sr. Galo Gomez - Presidente  
administracion@masterecuador.com

## Ecuador

Techinogar  
G. Aviles 314 y 9 de Octubre  
Guayaquil  
(5934) 251-7281 / 253-5426, Fax (5934) 232-2514  
Sr. Rafael Patiño - Presidente  
imyre\_caldia@yahoo.com

## El Salvador

Electroglobal  
Calle Circunvalacion, Bodega # 13, Plan de la Laguna,  
Antiguo Cuscatlan, La libertad, El Salvador  
(503) 2243-6290 / 2243-6339, Fax (503) 2243-6267  
Sr. Luis de La Roca - Presidente  
electroglobal@navegante.com.sv

## Guatemala

Distribuidora R&V Comercial S.A.  
1a Calle 00-59, Zona 1, Boca del Monte, Villa Canales  
Guatemala  
(502) 2448-9512 / 2448-9513, Fax (502) 2448-9528  
Sr. Juan Manuel de la Roca - Presidente  
ryrsa@hotmail.com

## Nicaragua

H&L Electronics  
Centro Comercial Zumen, 3c arriba 15 vrs Sur  
Managua, Managua  
(505) 260-3212, Fax (505) 260-2259  
Sr. Henry Huerta - Presidente  
hylelectronics@yahoo.com

## Panamá

Motta Internacional S.A.  
Apartado Postal # 0302- 00395, Zona Libre de Colon  
Panama 0302-00395  
(507) 431- 6000 / 431-6126, Fax (507) 431-0100  
Sr. Joaquin Carney - Gerente  
j.carney@motta-int.com

## Peru

SEISA  
Av. Argentina 1790 Lima  
1 (511) 336-8686, Fax (511) 336-5207  
Sr. Kelvi Lozano Medina - Gerente  
klozano@seisa.com.pe

## Puerto Rico

General Appliances Service  
Calle 1 A -33 Rio Grande PR  
Rio Grande 745  
(787) 887-6753, Fax (787) 887 6753  
Sr. Julio Torres - Presidente

## Puerto Rico

Buckeye Service  
Ave. Jesus T. Piffero 1013 (Antes Av. Central)  
Puerto Nuevo 920  
(787) 782-6175, Fax(787) 782-6365  
Sr. Enrique Medina - Presidente  
buckeye@prtc.net

## Rep. Dominicana

Radiocentro  
Paseo de los Periodistas # 50 Ensanche Miraflores  
Santo Domingo  
(809) 685-7131, Fax (809) 688-9200  
Sr. Isaac Rudman - Presidente  
radiocentro@codetel.net.do

## Trinidad

A.S. Bryden & Sons Ibis Avenue San Juan  
Trinidad W.I.  
(868) 674-9191, Fax (868) 674-0781  
Mr. Andrew Millar - Director  
andrew.millar@brydenstt.com

## Venezuela

Oster de Venezuela  
Av. Francisco de Miranda, Edif. Cavendes. Piso 11.  
Los Palos Grandes, Caracas  
58-212-2095815 / 2095870 / 2095825  
Amanda Casañas  
Casanaa@Sunbeam.com / www.oster.com.ve

# PRECAUÇÕES IMPORTANTES

Ao usar aparelhos eletrodomésticos, as precauções de segurança básicas devem sempre ser observadas, incluindo as seguintes:

- Leia todas as instruções antes de usar sua centrífuga
- Para proteger-se contra o risco de uma descarga elétrica, **NÃO** se deve submergir o fio ou a base do motor na água ou em outros líquidos
- Mantenha fora do alcance das crianças
- Desconecte sua centrífuga quando a mesma não estiver sendo utilizada, quando colocar ou retirar um acessório, e antes de limpar
- Evite o contato com partes em movimento. **NÃO** toque as lâminas pequenas que se encontram na base do filtro de aço inoxidável
- **NÃO** opere nenhum eletrodoméstico com fio ou plugue danificados, se o eletrodoméstico falhou, se caiu no chão ou se foi danificado de qualquer outra maneira. Leve o aparelho ao Centro de Serviço Autorizado Oster® mais próximo para ser examinado e para reparos mecânicos ou elétricos
- O uso de acessórios não recomendados ou não vendidos pelo fabricante do eletrodoméstico podem causar fogo, descarga elétrica ou danos corporais as pessoas
- **NÃO** usar ao ar livre
- **NÃO** deixe o fio pendurado na borda da mesa ou do balcão
- **NÃO** deixe que o fio encoste em superfícies quentes, incluindo o forno
- **NÃO** use o eletrodoméstico por mais de 5 minutos consecutivos
- Certifique-se de que a tampa do seu eletrodoméstico esteja devidamente fechada e segura em seu lugar antes de ligar o motor. **NÃO** abra a tampa de sua centrífuga, quando a mesma estiver sendo usada
- Certifique-se que o botão para ligar encontra-se na posição de desligado "O" após o uso de sua Centrífuga. Certifique-se de que o motor esteja completamente desligado antes de começar a desmontar o eletrodoméstico
- **NÃO COLOCAR OS DEDOS OU OUTROS OBJETOS DENTRO DO TUBO DE ALIMENTAÇÃO DE SUA CENTRÍFUGA ENQUANTO A MESMA ESTIVER SENDO USADA. SE ALGUM PEDAÇO DE ALIMENTO FICAR ALOJADO NO TUBO, USE O BASTÃO OU UM OUTRO PEDAÇO DE FRUTA OU LEGUME PARA EMPURRÁ-LO PARA BAIXO. QUANDO NÃO FÓR POSSÍVEL UTILIZAR ESTE RECURSO OU ISSO NÃO FUNCIONAR, DESLIGUE O MOTOR E DESMONTE A CENTRÍFUGA PARA REMOVER QUALQUER PEDAÇO DE ALIMENTO REMANESCENTE**
- **NÃO** usar o aparelho se o filtro estiver danificado
- **NÃO** empurre os alimentos pelo tubo de alimentação com seus dedos. Use sempre o bastão para alimentos
- **NÃO** toque as pequenas lâminas localizadas na base do filtro de aço inoxidável



- Certifique-se de que a centrífuga esteja completamente montada antes de usá-la. O aparelho não pode ser ligado a menos que esteja montado corretamente
- Sempre utilize sua centrífuga em uma superfície plana e seca
- Certifique-se que sua centrífuga esteja desligada antes de desconectá-la da tomada
- Não coloque o eletrodoméstico próximo a fogões a gás ou elétricos ou onde possa ter contato com um forno quente
- Este eletrodoméstico não foi desenvolvido para ser utilizado por pessoas com deficiências físicas, sensoriais ou mentais, com falta de experiência e conhecimento (incluindo crianças), a menos que uma pessoa responsável pela segurança os supervisione e instrua sobre como usar o aparelho
- As crianças devem ser supervisionadas para garantir que não brinquem com o aparelho

**ESTE ELETRODOMÉSTICO FOI FEITO SOMENTE PARA USO DOMÉSTICO.**

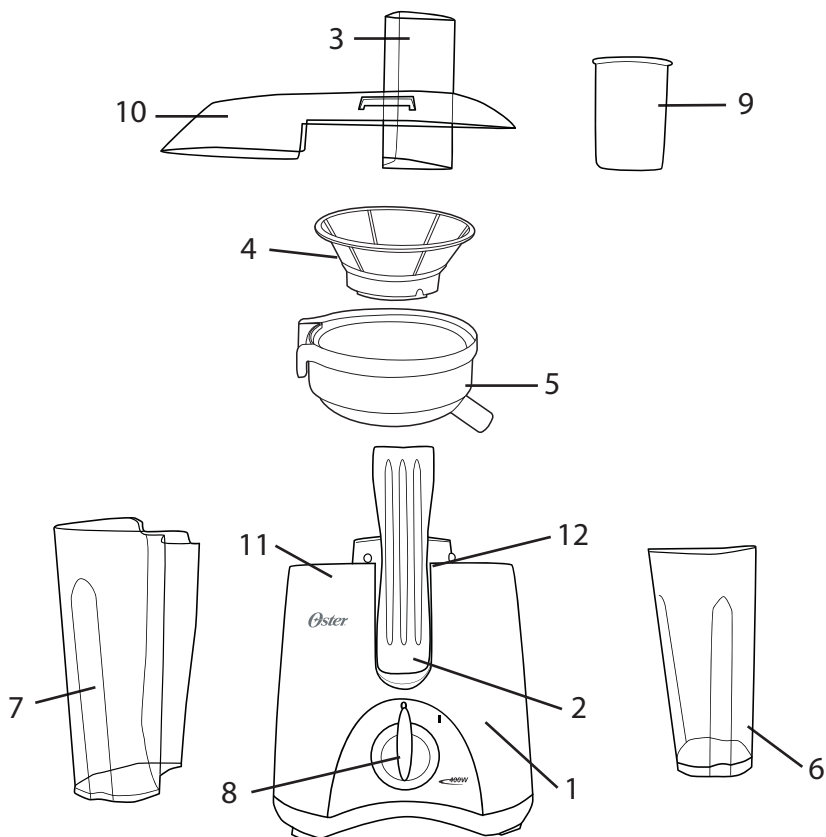
## GUARDE ESTAS INSTRUÇÕES

### **(Para 120 e 127 volts)**

A fim reduzir o risco de uma descarga elétrica, este dispositivo conta com um plugue polarizado (um pino é mais largo do que o outro). Este plugue encaixa somente de uma maneira em uma tomada polarizada. Se o plugue não encaixar na tomada corretamente, simplesmente coloque-o de maneira inversa. Se ainda não entrar, comunique-se com um eletricista competente. De nenhuma maneira tente modificar ou forçar a conexão projetada como a medida de segurança.

Caso for necessário o uso de um fio de extensão a capacidade elétrica nominal do fio de extensão deve ser a mesma do produto. O fio de extensão deve ser colocado de maneira que não fique pendurado na da mesa, que não possa ser puxado por uma criança ou de maneira que alguém possa tropeçar acidentalmente nele.

# DESCRIÇÃO DO APARELHO

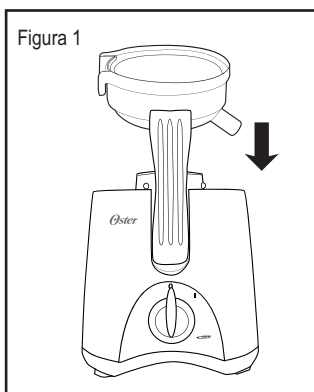


1. Motor Potente de 400 watts
2. Alça para Travar com Segurança (ambos lados)
3. Tubo de Alimentação
4. Filtro em Aço Inoxidável
5. Base do Filtro
6. Jarra com 600 mls de capacidade
7. Recipiente Coletor de Bagaço de Grande Capacidade
8. Botão para Ligar/Desligar (I/O)
9. Bastão para Empurrar os Alimentos
10. Tampa da Centrifuga
11. Base do Motor
12. Interruptor de Segurança (ambos lados)

# INSTRUÇÕES DE USO

## ANTES DE USAR A CENTRÍFUGA

Siga as seguintes instruções de montagem antes de usar sua Centrífuga Oster®:



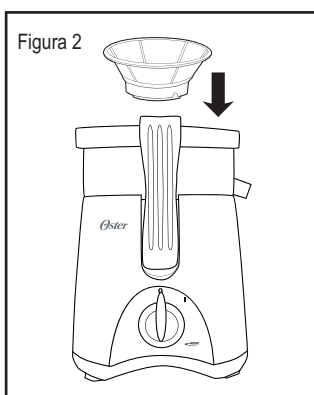
- Antes de começar a montar sua Centrífuga, certifique-se de que o fio esteja desligado da tomada e coloque o aparelho em uma superfície plana e seca

- Coloque a cesta do filtro em cima da base do motor (figura 1)

- Coloque o filtro de aço inoxidável em cima da cesta do filtro empurrando para baixo e girando até que estejam alinhadas com as cavidades situadas na parte superior do eixo motor (figura 2)

- Coloque a tampa em cima da cesta do filtro (figura 3)

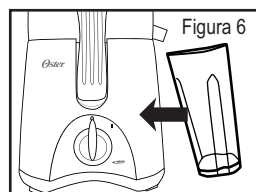
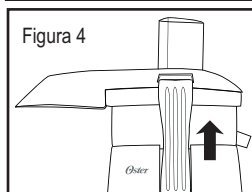
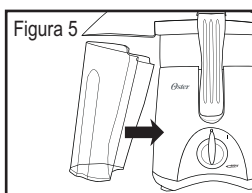
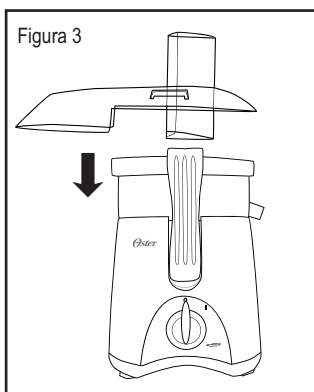
- Levante as alças de segurança e logo após abaixe-as até que encaixem nas cavidades localizadas na tampa e então pressione firmemente a parte inferior das mesmas em direção a unidade certificando-se que elas fiquem bem travadas mantendo a tampa seguramente fechada em seu lugar sobre a base da unidade (figura 4)



- Coloque o recipiente coletor de bagaço em seu lugar inclinando-o um pouco para que entre com facilidade (figura 5)

**Importante:** Certifique-se de que a borda do recipiente coletor de bagaço esteja embaixo da base do filtro.

- Coloque a jarra de 600 mls em baixo do bico vertedor localizado do lado direito da Centrífuga inclinando-a um pouco para que entre com facilidade (figura 6)



# INSTRUÇÕES DE COMO UTILIZAR SUA CENTRÍFUGA

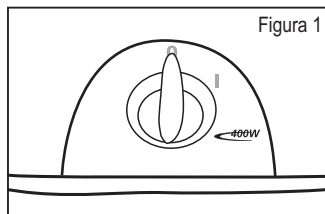
1. Prepare as frutas e legumes lavando-os e retirando a casca daqueles que necessitam ser descascados.
2. Prepare as frutas e legumes cortando-os em pedaços menores para serem colocados no tubo que alimentação.
3. Certifique-se de que sua Centrífuga esteja montada corretamente. Siga as instruções da seção “Antes de Usar a Centrífuga”.
4. Siga as instruções da seção da limpeza e da manutenção deste manual para garantir que sua Centrífuga e seus acessórios estejam limpos.
5. Coloque a jarra ou qualquer outro recipiente que você deseje usar para coletar o suco debaixo do bico vertedor e certifique-se que o recipiente coletor de bagaço esteja em seu lugar antes de começar usar sua centrífuga.
6. Conecte o fio na tomada elétrica e coloque o botão da Centrífuga na posição da ligado “I”.
7. Uma vez que sua Centrífuga esteja ligada, coloque as frutas e os legumes dentro do tubo de alimentação e use o bastão para empurrá-los para baixo. Para melhores resultados e maior extração de suco, é importante empurrar os alimentos devagar.
8. Durante o processo da extração de suco, a Centrífuga separará o suco do bagaço separando-os e colocando o suco na jarra e o bagaço no recipiente coletor de bagaço.

**OBSERVAÇÃO:** Tanto o recipiente de bagaço quanto a jarra devem ser esvaziados periodicamente durante o processo da extração e para isso é necessário desligar sua centrífuga. Certifique-se de que a jarra e o recipiente coletor de bagaço estejam colocados em seus devidos lugares antes de continuar o processo de extração de suco.

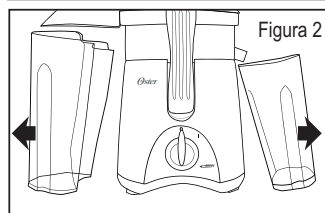
**NUNCA USE AS MÃOS OU OS DEDOS PARA EMPURRAR AS FRUTAS E OS LEGUMES PELO TUBO DE ALIMENTAÇÃO. USE SEMPRE O BASTÃO QUE VEIO COM O APARELHO QUE FOI ESPECIALMENTE DESENVOLVIDO PARA ESTA FUNÇÃO.**

# AÓS O USO DA CENTRÍFUGA

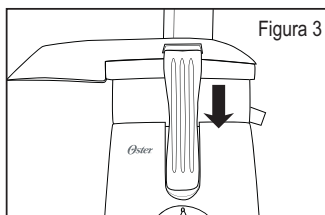
Antes de limpar e guardar a centrífuga, siga as seguintes instruções para desmontar o aparelho:



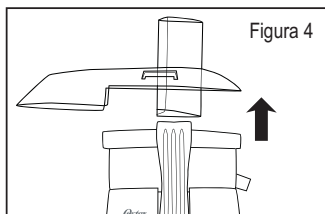
- Certifique-se de que a centrífuga se encontra na posição de desligada “O” e desconecte-a da tomada (**figura 1**)



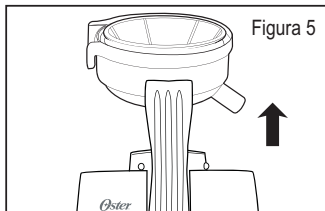
- Remova a jarra e o recipiente coletor de bagaço inclinando-os um pouco para que saiam com facilidade (**figura 2**)



- Abra as alças de segurança para liberar a tampa da centrífuga (**figura 3**)



- Levante a tampa e remova-a da centrífuga (**figura 4**)

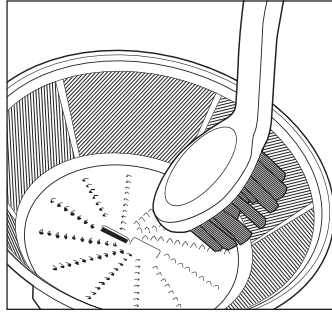


- Para retirar o filtro e a base do filtro, segure a base do motor e levante a cesta do filtro para cima (**figura 5**)

**ADVERTÊNCIA: O FILTRO DE AÇO INOXIDÁVEL CONTEM AS LÂMINAS AFIADAS PEQUENAS PARA CORTAR E PROCESSAR FRUTAS E LEGUMES. NÃO TOCAR NAS LÂMINAS QUANDO ESTE FILTRO ESTIVER SENDO MANIPULADO.**

# LIMPEZA

- Depois de desmontar todas as peças que podem ser removidas da centrífuga, lave-as na mão com água morna ensaboada ou em uma máquina de lavar louças (apenas na parte superior). Se o bagaço secar dentro do recipiente coletor, no filtro ou na base do filtro, deixe-os de molho na água por aproximadamente 10 minutos antes de lavá-los
- Limpe a base do motor com um pano húmido
- Para obter um ótimo desempenho é muito importante manter o filtro limpo, livre de qualquer resíduo que possa obstruir os orifícios do filtro. Utilize uma escova de nylon para limpá-lo, caso seja necessário. Se mesmo assim, os orifícios do filtro continuarem obstruídos, coloque o filtro de molho em uma solução de água com 10% de suco limão



**NOTA:** NÃO SUBMERGA A BASE DO MOTOR NA ÁGUA OU EM NENHUM OUTRO TIPO DE LÍQUIDO.

# MANUTENÇÃO

- Algumas peças de plástico poderão manchar ao entrar em contacto por um período prolongado com algumas frutas e legumes que tenham uma cor muito forte. Para evitar que isso aconteça, todas as peças que podem ser removidas, devem ser lavadas logo após cada uso

# GUIA DE SOLUÇÃO DE PROBLEMAS

PROBLEMA	SOLUÇÃO
A Centrífuga não funciona quando o interruptor é colocado na posição de ligado "I"	<ul style="list-style-type: none"><li>• Talvez as alças de segurança não estejam bem travadas</li><li>• Desligue e desconecte o aparelho da tomada e certifique-se de que todas as peças estejam montadas corretamente</li><li>• Desligue e desconecte o aparelho da tomada de que nenhum resíduo está obstruindo a unidade</li></ul>
O motor está fazendo muito ruído e o aparelho começa a vibrar	<ul style="list-style-type: none"><li>• Desligue e desconecte o aparelho da tomada e certifique-se de que todas as peças estejam montadas corretamente</li><li>• Extrair suco de frutas muito maduras pode produzir um excesso de bagaço o que pode obstruir o filtro. Desligue e desconecte o aparelho da tomada e limpe bem o filtro</li></ul>
O motor parece estagnar quando está no processo da extração	<ul style="list-style-type: none"><li>• Se o bagaço começar a acumular na parte inferior da tampa, diminua a extração de suco. Desligue e desconecte o aparelho da tomada e limpe a base do filtro, o filtro de aço inoxidável e a tampa</li></ul>
Um excesso de bagaço está acumulado no filtro de aço inoxidável	<ul style="list-style-type: none"><li>• Siga as instruções de como desarmar a Centrífuga incluída na seção "Manutenção e Limpeza"</li></ul>
O bagaço está saindo muito úmido e a extração de suco reduzida	<ul style="list-style-type: none"><li>• Tente extrair o suco mais lentamente. Remova o filtro de aço inoxidável e limpe bem as tela de aço com os orifícios com uma escova de nylon. Enxágüe o filtro com água quente. Se os orifícios da tela de aço do filtro estiverem obstruídos, coloque o filtro de molho em uma solução com água quente e 10% de suco de limão para desobstruir os orifícios ou lave-o na máquina de lavar louça. Isso removerá o excesso da fibra acumulada das frutas e dos legumes que podem estar reduzindo o fluxo do suco</li></ul>
O suco está vazando entre a borda da Centrífuga e a tampa do filtro	<ul style="list-style-type: none"><li>• Tente extrair o suco mais lentamente empurrando os alimentos mais devagar com o bastão</li></ul>

## CONSELHOS E SUGESTÕES

- Não colocar nenhuma fruta ou legume na Centrífuga antes que a mesma estiver ligada. Deixe que o aparelho fique ligado por pelo menos por 10 segundos antes de começar o processo de extração de suco
- Não deixe que o recipiente coletor de bagaço se encha, isto pode prejudicar o funcionamento ou danificar o aparelho
- Retire as sementes grandes das frutas, como pêssegos, mangas, etc., pois essas sementes podem danificar o aparelho
- Você pode colocar um saco plástico dentro do recipiente coletor de bagaço para não ter que limpá-lo
- Não use bananas ou abacates, pois essas frutas não tem suco e poderão obstruir o aparelho. Use um liquidificador para adicionar esse tipo de frutas aos sucos que estiver preparando na Centrífuga
- Você pode usar o bagaço das frutas e legumes para preparar uma grande variedade de receitas. O bagaço das frutas e dos legumes contam com um alto índice de fibras e celulose, que são essenciais para uma dieta balanceada. O bagaço pode ser usado para dar engrossar sopas e outras receitas, assim como para complementar sobremesas. Use o bagaço no mesmo dia da extração do suco para evitar a perda do índice de vitaminas



# RECEITAS DE BEBIDAS

## POUPORRI DE FRUTAS

### Ingredientes:

4 abricós médios  
2 xícaras de melão em pedaços  
1 maçã grande  
1 laranja

### Preparo:

Processe as frutas acima na Centrífuga Oster®. Misture bem e acrescente gelo a gosto. Sirva imediatamente.

## NUVEM ROSA

### Ingredientes:

1 xícara de morangos  
1 laranja descascada  
1 xícara de pêras em pedaços  
1 cenoura pequena

### Preparo:

Processe os ingredientes na Centrífuga Oster® e misture para incorporar os sucos. Sirva imediatamente depois acrescente gelo a gosto.

## EXTRATO MILAGROSO

### Ingredientes:

1 xícara de abacaxi em pedaços  
1 xícara de maçã em pedaços  
2 cenouras pequenas  
1 laranja descascada  
2 talos de aipo  
1 limão com casca

### Preparo:

Processe os ingredientes na Centrífuga Oster®, misturando bem. Junte quatro cubos de gelo. Sirva imediatamente.

## COQUETEL DE ENERGIA

### Ingredientes:

2 xícaras de cenoura  
½ xícara de pepino  
12 folhas de espinafre  
1 limão com casca  
1 xícara de aipo  
1 maçã  
1 tomate  
2 colheres de mel

### Preparo:

Processe as frutas e verduras na Centrífuga Oster®. Acrescente o mel ao suco já pronto. Sirva imediatamente e se desejar, acrescente gelo.

## COQUETEL DE TOMATE

### Ingredientes:

8 tomates  
4 talos de aipo  
1 limão sem casca  
1 cenoura  
1 pepino sem casca  
½ colherinha de sal  
¼ colherinha de pimenta  
1 colher de molho inglês

### Preparo:

Lave bem as verduras.  
Processe os tomates, o aipo, a cenoura, o limão e o pepino. Misture os sucos, junte os temperos e misture bem. Sirva em copos altos com gelo. Decore com um raminho de aipo. Rende quatro porções.

## TENTAÇÃO

### Ingredientes:

6 pêssegos  
2 xícaras de melão  
½ xícara de suco de laranja

### Preparo:

Processe as frutas na Centrífuga Oster®. Misture o extrato resultante e junte 6 pedras de gelo. Sirva imediatamente em copos médios. Decore com morangos ou cerejas marasquino em uma rodela de laranja.

## TORTA SOBREMESA DE ABACAXI

### Ingredientes:

¾ xícara de extrato de abacaxi  
10 colheres de manteiga  
1 colher de açúcar em pó  
2 gemas de ovo  
1 lata de leite condensado  
54 biscoitos champanha

### Calda:

¼ xícara de água  
1 xícara de açúcar

### Decoração:

1 lata de abacaxi em rodela  
6 a 10 cerejas ao marasquino

### Preparo:

Use a Centrífuga Oster® para obter o extrato do abacaxi. Na batedeira Oster® bata a manteiga até obter uma consistência cremosa e finalmente acrescente o extrato de abacaxi. Unte com manteiga uma forma de aro removível, arme a torta forrando o fundo e os lados com os biscoitos de champanha levemente umedecidas no suco de abacaxi. Logo após espalhe uma camada da preparação anterior (creme). Alternando sucessivamente com os biscoitos e terminando com uma camada de creme. Leve ao refrigerador por 3 horas e então tire da forma. Prepare a calda levando ao fogo a água e o açúcar deixando ferver até ficar em ponto de fio. Adorne a torta com as rodela de abacaxi, as cerejas e fios de caramelo. Para melhores resultados utilize uma forma desmontável.

# GARANTIA LIMITADA DE 1 ANO

Sunbeam Products, Inc. operando sob o nome de Jarden Consumer Solutions (“JCS”) garante que este produto estará livre de defeitos materiais ou de mão-de-obra por um período de um ano a partir da data de compra. A seu critério, a JCS reparará ou substituirá este produto ou qualquer componente do produto que possa apresentar defeitos durante o período de garantia. A substituição será feita com um produto ou componente novo ou recondicionado. Se o produto não estiver mais disponível, a substituição poderá ser feita com um produto semelhante de igual ou maior valor. Esta é a sua garantia exclusiva.

Esta garantia é válida para o comprador original em varejo a partir da data de compra inicial no varejo, e não poderá ser transferida. Guarde o recibo original de venda. Para obter serviços de garantia, é necessário ter um comprovante de compra. Os distribuidores, centros de assistência técnica ou lojas de varejo que comercializam os produtos da marca Oster® não têm o direito de alterar, modificar ou mudar de qualquer maneira os termos e condições desta garantia.

Esta garantia não cobre o desgaste normal de peças ou danos resultantes de qualquer dos seguintes casos: uso negligente ou errôneo do produto, o uso de tensão ou corrente inadequadas, uso contrário às instruções operacionais, desmonte, conserto ou alterações efetuadas por outrem que não seja um Centro de Serviço Autorizado Oster®. Além disso, a garantia não cobre casos de força maior, tais como incêndios, enchentes, furacões e tornados.

A JCS não se responsabilizará por quaisquer danos emergentes ou indiretos causados pela violação de qualquer garantia expressa ou implícita. Exceto na medida proibida pelas leis aplicáveis, quaisquer garantias implícitas na comercialização ou adequação a um fim específico limitam-se à duração expressa pela garantia acima.

Como Obter Serviço Autorizado na Garantia: Consulte as condições da garantia específica do país ou entre em contato com o seu representante local.

**NÃO DEVOLVA ESTE PRODUTO AO LOCAL ONDE ELE FOI COMPRADO.**

**PARA MEXICO SOLAMENTE - FOR MEXICO ONLY**  
EXTRACTOR DE JUGOS OSTER®  
**IMPORTADOR: SUNBEAM MEXICANA, S.A. DE C.V.**  
AV. JUAREZ No. 40-201,  
EX-HACIENDA DE SANTA MONICA,  
TLALNEPANTLA, ESTADO DE MEXICO,  
C.P. 54050, R.F.C. SME570928G90, TEL. 53660800  
PAIS DE ORIGEN: CHINA  
PAIS DE PROCEDENCIA: CHINA, E.U.A.

LEA EL INSTRUCTIVO ANTES DE USAR EL ARTEFACTO  
MODELO                      CARACTERISTICAS ELECTRICAS  
3157, 3157-13              60 Hz              120 V~              400 W

CONTENIDO: 1 PIEZA



The Oster logo is a stylized, cursive script of the word "Oster" with a registered trademark symbol (®) to its upper right.

©2007 Sunbeam Products, Inc. doing business as Jarden Consumer Solutions.  
All rights reserved. Distributed by Sunbeam Latin America, LLC,  
5200 Blue Lagoon, Suite 470, Miami, FL 33126.  
One year limited warranty – please see inside for details.

©2007 Sunbeam Products, Inc. faisant affaires sous le nom de Jarden Consumer Solutions.  
Tout droit réservé. Distribué par by Sunbeam Latin America, LLC,  
5200 Blue Lagoon, Suite 470, Miami, FL 33126.  
Une année de garantie limitée – veuillez lire à l'intérieur pour plus de détails.

©2007 Sunbeam Products, Inc. operando bajo el nombre de Jarden Consumer Solutions.  
Todos los derechos reservados. Distribuido por Sunbeam Latin America, LLC,  
5200 Blue Lagoon, Suite 470, Miami, FL 33126.  
Garantía limitada de un año – por favor consulte los detalles en el interior.

©2007 Sunbeam Products, Inc. operando sob o nome de Jarden Consumer Solutions.  
Todos os direitos reservados. Distribuído pela Sunbeam Latin America, LLC,  
5200 Blue Lagoon, Suite 470, Miami, FL 33126.  
Garantia limitada de um ano – para maiores detalhes, consulte no interior.

Printed in China

Imprimé en Chine

Impreso en China

Impresso na China

P.N. 123006

Download from [Www.Somanuals.com](http://Www.Somanuals.com). All Manuals Search And Download.

## Free Manuals Download Website

<http://myh66.com>

<http://usermanuals.us>

<http://www.somanuals.com>

<http://www.4manuals.cc>

<http://www.manual-lib.com>

<http://www.404manual.com>

<http://www.luxmanual.com>

<http://aubethermostatmanual.com>

Golf course search by state

<http://golfingnear.com>

Email search by domain

<http://emailbydomain.com>

Auto manuals search

<http://auto.somanuals.com>

TV manuals search

<http://tv.somanuals.com>