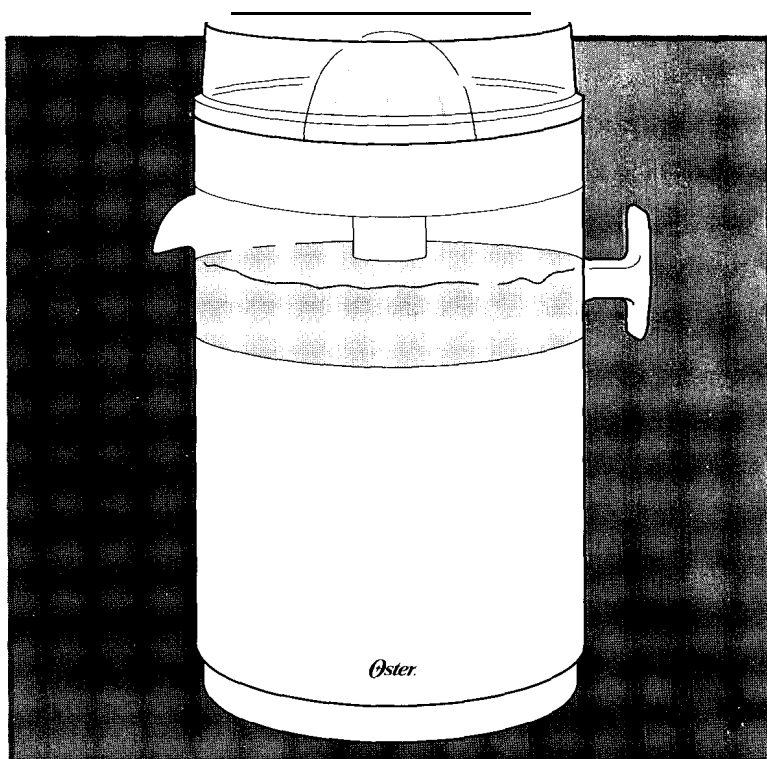


Oster®



MODELS/MODELOS 3181 & 3183
MODÈLES/MODELOS

Instruction Manual
OSTER™ AUTOMATIC CITRUS JUICER

Manuel d'Instructions
PRESSE-AGRUMES AUTOMATIQUE OSTER™

Manual de Instrucciones
EXPRIMIDOR AUTOMÁTICO DE CÍTRICOS OSTER™

Manual de Instruções
ESPRESSOR AUTOMÁTICO DE CÍTRICOS OSTER™

IMPORTANT SAFEGUARDS

When using electrical appliances, basic safety precautions should always be followed, including the following:

- READ ALL INSTRUCTIONS CAREFULLY.
- To protect against risk of electric shock, do not put appliance in water or other liquid.
- Close supervision is necessary when any appliance is used by or near children.
- Unplug from outlet when not in use, before putting on or taking off parts and before cleaning.
- Avoid contact with moving parts.
- Do not operate any appliance with a damaged cord or plug set or after the appliance malfunctions, or is dropped or damaged in any manner. Return appliance to the nearest authorized service facility for examination or mechanical adjustment.
- The use of attachments not recommended or sold by the manufacturer may cause fire, electric shock or injury.
- Do not use outdoors.
- Do not let cord touch hot surfaces or hang over table edges and counters.

POLARIZED PLUG

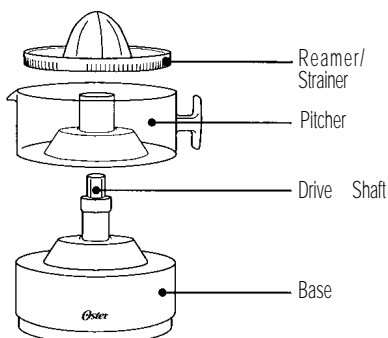
This appliance has a polarized plug - one blade is wider than the other. To reduce the risk of electric shock, this plug will fit into a polarized outlet only one way. If the plug does not fit fully into the outlet, reverse it. If it still does not fit, contact a qualified electrician. Do not attempt to defeat this safety feature by modifying the plug in any way.

SAVE THESE INSTRUCTIONS

THIS JUICER IS DESIGNED FOR HOUSEHOLD USE ONLY

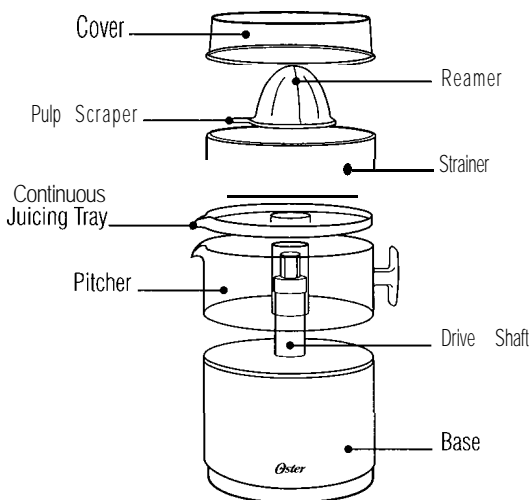
ASSEMBLY - MODEL 3183

1. Place Pitcher over Drive Shaft, Make sure slots in bottom of Pitcher fit over tabs on Base to prevent rotation of Pitcher and insure proper seating on Base. Pitcher holds up to 20 ounces,
2. Fit Reamer/Strainer onto Drive Shaft inside pitcher.



ASSEMBLY - MODEL 3181

1. Place Pitcher over Drive Shaft. Make sure slots in bottom of Pitcher fit over tabs on Base to prevent rotation of Pitcher and insure proper seating on Base. Pitcher holds up to 14 ounces.
2. Continuous Juicing Tray can be inserted to allow for juicing directly into glass. Place Continuous Juicing Tray on top of Pitcher, making sure the spout of the Continuous Juicing Tray is over the Pitcher spout.



3. Place Strainer on top of Pitcher. Make sure tabs on Strainer fit into slots on Pitcher.
4. Fit Reamer onto Drive Shaft. The Reamer's Scraper prevents accumulation of pulp in the bottom of Strainer to allow more juice to flow through Strainer.

HOW TO OPERATE YOUR JUICER

If using Continuous Juicing Tray (Model 3181) be sure glass or pitcher is placed under spout to catch the juice.

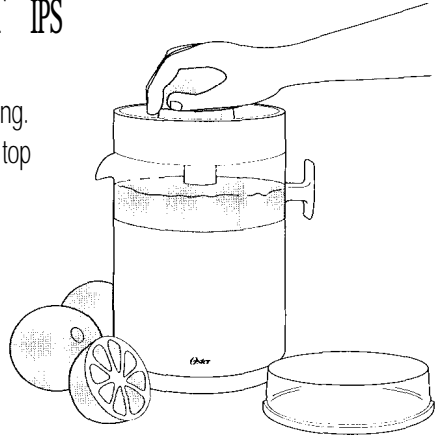
If using the Pitcher, the juice will flow directly through the Strainer into the Pitcher

For either style of juicing, the following procedure should be used. Plug Citrus Juicer into outlet. Use only the voltage specified on the bottom of the unit. Cut citrus fruit in half, cutting across sections. Merely push down on Reamer with fruit to start the juicing action automatically lift the fruit shell off the Reamer and action stops.

JUICER TIPS

For easier juicing and increased juice yield:

1. Let fruit reach room temperature before juicing.
2. Roll fruit between palm of hand and counter top before cutting to loosen fibers.
3. Move fruit from side to side while reaming to get all the juice
4. When pulp begins to build up in strainer, remove Reamer/Strainer and empty pulp into trash can. Replace Reamer/Strainer onto Drive Shaft and continue juicing.



COVER USES

The Cover (Model 3181) can be used as a dust cover for the entire unit (Figure 1), a drip tray for the Strainer and Reamer (Figure 2) or as a cover for the Pitcher (Figure 3).

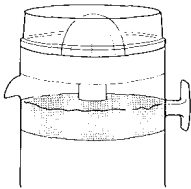


FIGURE 1

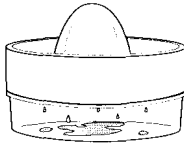


FIGURE 2

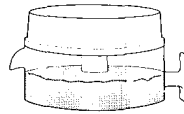


FIGURE 3

CARE AND MAINTENANCE

Read all safeguards before using or cleaning unit. Motor and internal gears are permanently lubricated and require no further attention. The Motor Base does not need internal maintenance and should be taken to an authorized service facility for any servicing.

CLEANING

DO NOT WASH ANY PARTS IN AUTOMATIC DISHWASHER

1. Unplug unit and remove all parts from Drive Shaft.
2. To clean Motor Base, wipe with a damp cloth. **DO NOT** immerse in water or any other liquid.
3. To clean all other juicing parts, wash in warm, soapy water. Rinse and dry well.
DO NOT WASH ANY PARTS IN AUTOMATIC DISHWASHER.
4. A cord storage compartment (Model 3183) is located inside unit. Use only the length of cord needed. The remainder stays in compartment, leaving counter uncluttered. To shorten amount of cord, simply push cord back into unit at point it exits housing.

1 YEAR LIMITED WARRANTY

Sunbeam Products Inc. warrants to the original purchaser, subject to the limitations and exclusions set forth below, that this product shall be free, in all material respects, of mechanical and electrical defects in material and workmanship from the date of purchase for one year. This warranty does not cover normal wear of parts or damage resulting from any of the following: negligent use or misuse of the product, use on improper voltage or current, use contrary to operating instructions or disassembly, repair or alteration by any person other than an authorized service center.

Our obligation hereunder is limited to repair or replacement, at manufacturer's option, of the product during the warranty period, provided that the product, along with the model number and original dated proof of purchase, is sent postage prepaid, directly to the following address:

For products purchased in the United States:

SUNBEAM APPLIANCE SERVICE STATION
117 Central Industrial Row
Purvis, MS 39475

For products purchased in Canada:

SUNBEAM APPLIANCE SERVICE STATION (KND)
Please call 1-800-667-8623 or email us at
consumeraffairs@consumer.sunbeam.com

Do not return this product to the place of purchase or to the manufacturer; doing so may delay the processing of your warranty claim.

Answers to questions regarding this warranty or for your nearest authorized service location may be obtained by calling toll-free 1-800-597-5978 or by writing to Sunbeam - Consumer Affairs, at P.O. Box 948389, Maitland, FL 32794-8389. Answers to questions regarding this warranty or for your nearest Canadian authorized service location may be obtained by calling toll-free in Canada 1-800-667-8623. For warranty information or for an authorized service location outside of the United States and Canada, please see the warranty service card inserted in the product packaging.

DISCLAIMER

Product repair or replacement as provided under this warranty is your exclusive remedy. SUNBEAM PRODUCTS, INC. SHALL NOT BE LIABLE FOR ANY INCIDENTAL OR CONSEQUENTIAL DAMAGES FOR BREACH OF ANY EXPRESS OR IMPLIED WARRANTY ON THIS PRODUCT OR ANY PART THEREOF. EXCEPT TO THE EXTENT PROHIBITED BY APPLICABLE LAW, SUNBEAM PRODUCTS, INC. DISCLAIMS ANY IMPLIED WARRANTY OF MERCHANTABILITY OR FITNESS FOR A PARTICULAR PURPOSE OF THIS PRODUCT OR ANY PART THEREOF. Some states and provinces do not allow the exclusion or limitation of incidental or consequential damages, or allow limitations on how long an implied warranty lasts, so the above limitations or exclusions may not apply to you. This warranty gives you specific legal rights, and you may also have other rights, which vary from State to State or Province to Province

Oster®

©1997 Sunbeam Corporation or its affiliated companies. All rights reserved.
Oster® is a registered trademark of Sunbeam Corporation or its affiliated companies.
Distributed by Sunbeam Products Inc., Delray Beach, Florida 33445, or an affiliated company.

© 1997 Sunbeam Corporation ou ses sociétés affiliées. Tous droits réservés.
Oster® est une marque déposée de Sunbeam Corporation ou de ses sociétés affiliées.
Distribué par Sunbeam Products Inc., Delray Beach, Florida 33445, ou de une société affiliée.

©1997 Sunbeam Corporation o sus compañías afiliadas. Todos los derechos reservados.
Oster® esta una marca registrada de Sunbeam Corporation o de sus compañías afiliadas.
Distribuido por Sunbeam Products Inc., Delray Beach, Florida 33445, o de una compañía afiliada.

©1997 Sunbeam Corporation ou suas empresas coligadas. Todos os direitos reservados.
Oster® é uma marca registrada da Sunbeam Corporation, ou de suas empresas coligadas.
Distribuído pela Sunbeam Products Inc., Delray Beach, Florida 33445, ou de uma empresa coligada.

P.N. 100476

Free Manuals Download Website

<http://myh66.com>

<http://usermanuals.us>

<http://www.somanuals.com>

<http://www.4manuals.cc>

<http://www.manual-lib.com>

<http://www.404manual.com>

<http://www.luxmanual.com>

<http://aubethermostatmanual.com>

Golf course search by state

<http://golfingnear.com>

Email search by domain

<http://emailbydomain.com>

Auto manuals search

<http://auto.somanuals.com>

TV manuals search

<http://tv.somanuals.com>