

Sunbeam®



MODEL 4766

Owner's Manual with Recipes

GrillSmart INDOOR GRILL

Download from www.Somanuals.com All Manuals Search And Download.

Thank you for purchasing the SUNBEAM® GRILLSMART™ INDOOR GRILL. Before you use this product for the first time, please take a few moments to read these instructions and keep it for reference. Pay particular attention to the Safety Instructions provided. Please review the product service and warranty statements. For your future reference, please note:

Date Product Received: _____

Service Number: _____
(located on the bottom of the grill)

IMPORTANT SAFEGUARDS

When using electrical appliances, basic safety precautions should always be followed including the following:

- 1. READ ALL INSTRUCTIONS, PRODUCT LABELS AND WARNINGS BEFORE USING THE GRILLSMART™ INDOOR GRILL.**
2. Do not touch hot surfaces. Always use oven mitts when handling hot materials and allow metal parts to cool before cleaning. Allow the Grill to cool thoroughly before putting in or taking off parts. Always use the Grill handles when moving the Grill.
3. Before cleaning, when the Grill is not in use, unplug the Grill from the wall outlet.
NOTE: Make sure the Temperature Dial is in the "OFF" position before unplugging.
4. To protect against risk of electrical shock, do not immerse the Temperature Control in water or any other liquids..
5. Close supervision is always necessary when this or any appliance is used near children, This Indoor Grill is not intended for use by children.
6. Do not operate this or any appliance with a frayed or damaged cord or plug or after the appliance malfunctions or is dropped or has been damaged in any manner. Return the appliance to an Authorized Sunbeam Service Center for examination, repair or electrical or mechanical adjustment.
7. Do not use attachments not recommended by the manufacturer; they may cause fire, electric shock or personal injury.

8. Do not use outdoors or for commercial purposes. Do not use this Indoor Grill for other than its intended use.
9. Do not let the cord dangle over the edge of a tabletop or countertop or touch hot surfaces.
10. Do not place the Indoor Grill near a hot gas or electric burner or in a heated oven.
11. A fire may occur if the indoor Grill is covered or touching flammable materials, including curtains, draperies, walls, etc., when in operation. Do **not store any items OR top of the Indoor Grill when in operation.**
12. Do not store any materials on this Grill when not in use.
13. Do not place any flammable materials on Indoor Grill, such as paper, cardboard, plastic or any materials that may catch fire or melt.
14. Use extreme caution when moving the Grill if it contains hot oil or any other hot liquid.
15. Always attach Temperature Control to the Indoor Grill first and set Temperature Dial to "OFF" position. Then plug cord into the wall outlet. To disconnect, turn Temperature Dial to "OFF:" then remove plug from wall outlet,
16. Be sure that the base is securely fastened to the hot plate. See Instructions regarding base on Pages 5 and 6.
17. To turn this appliance off, return Temperature Dial to the "OFF" position.
18. Do not place hands under base during cooking.
19. Do not place any combustible matter on grilling surface.
20. Do not place plastic cooking utensils on Grill surface when power is "ON"
21. When removing plug from outlet, grip plug firmly and pull out.

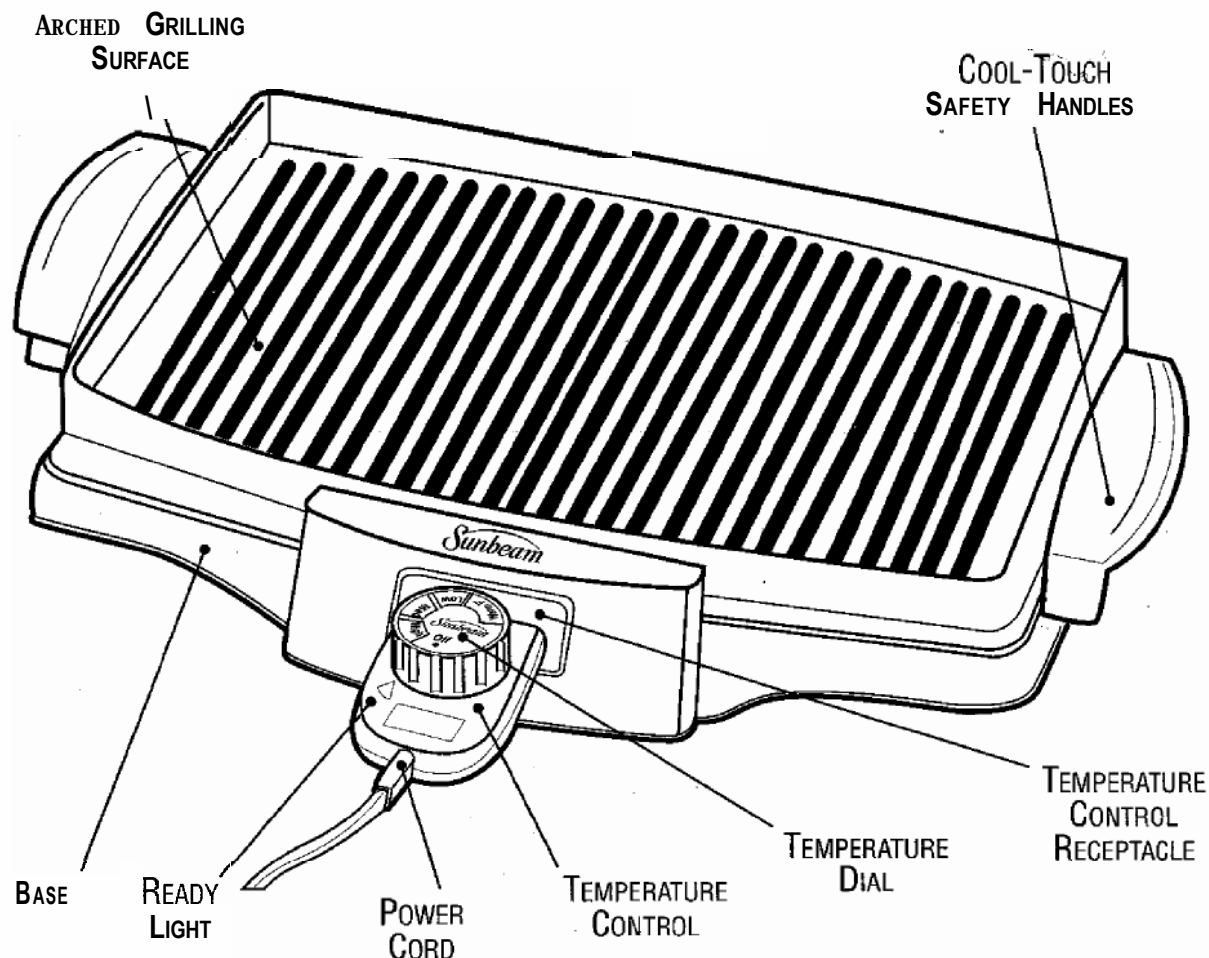
SAVE THESE INSTRUCTIONS

THIS UNIT IS FOR HOUSEHOLD USE ONLY

FOR PRODUCTS PURCHASED IN THE U.S. ONLY

To reduce the risk of electrical shock, this appliance has a polarized plug (one blade is wider than the other). This plug fits a polarized outlet only one way; if the plug does not fit fully into the outlet, reverse the plug. If it still does not fit,

GETTING To Know YOUR **GRILLSMART™** INDOOR **GRILL**

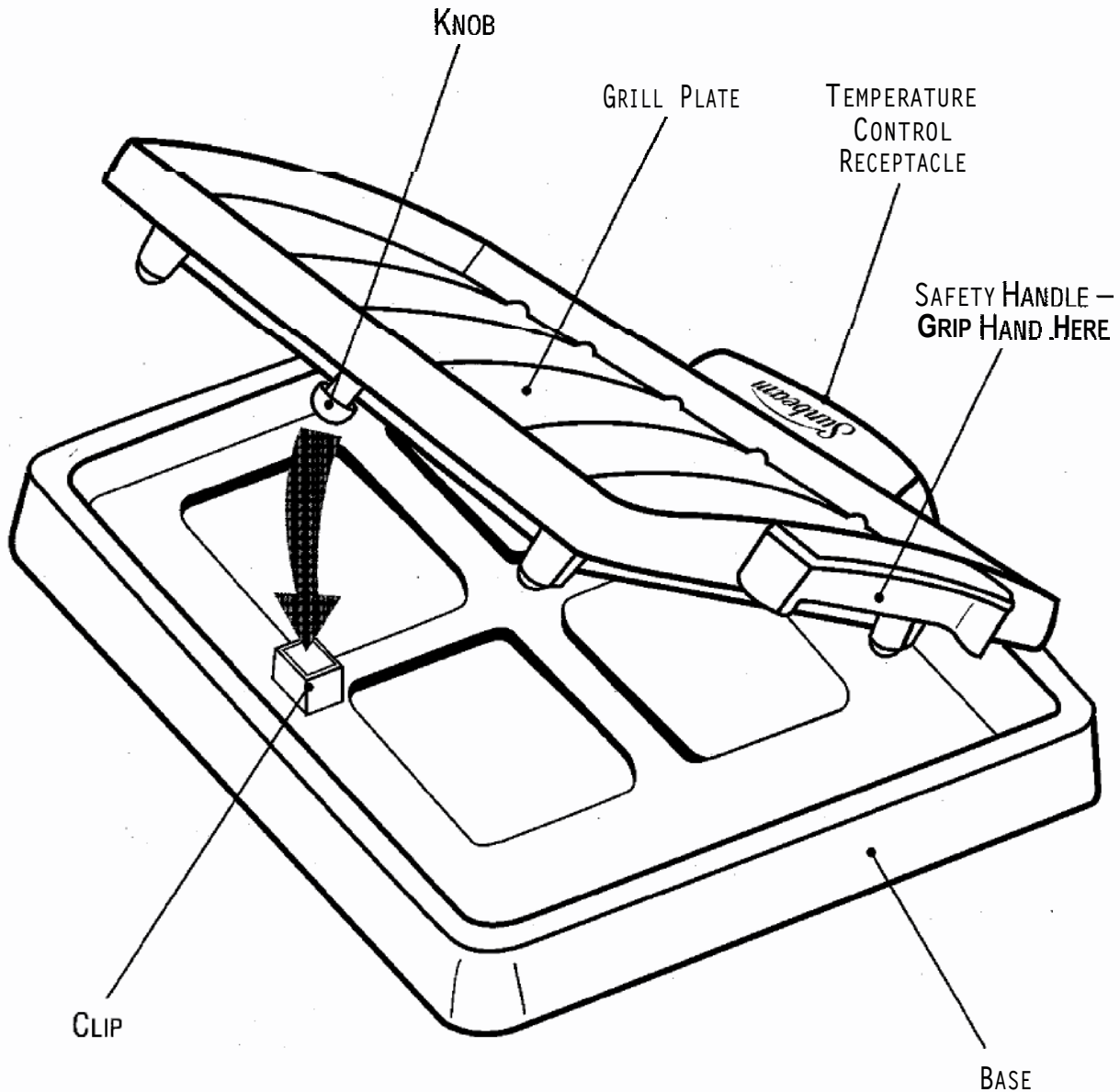


DIRECTIONS FOR GRILLING

1. Wash Grill Surface and Base in hot, soapy water. Rinse and dry thoroughly.
2. Attach Grill Plate to Base. Make sure that the clip on the bottom of the Grill Plate clicks into place, (See *Diagram on Page 6*)
3. Set Temperature Dial to "OFF." Insert Temperature Control into the Temperature Control Receptacle and plug the Cord into a standard 120 volt AC outlet. If Temperature Control is not completely inserted, abnormal heating may occur, resulting in accident or damage.
4. Set Temperature Dial to desired setting.
5. Ready Light goes off when correct cooking temperature is reached.
6. When food is completely cooked, it can be kept warm by setting Temperature Dial to "KEEP WARM."
7. After use, set Temperature Dial to "OFF" position, unplug unit from outlet and then unplug from Temperature Control Receptacle.

DIRECTIONS FOR CLEANING

1. Remove Temperature Control from Temperature Control Receptacle.
2. Grip Base with one hand and grip Safety Handle with other hand. Slowly pull up on the Safety Handle while holding the Base down. Pull the Grill Plate forward to take the Grill Plate off the Base. The clip will unsnap. If grill is hot, use oven mitt.
3. Rinse Grill Plate and Base and place in dishwasher. **NOTE:** Grill Base should be put on the top dishwasher rack only. You can also wash in hot, soapy water:
4. Make sure Grill Plate and Base are completely dry before using.



CAUTIONS AND SUGGESTIONS

POWER CORD

1. If the power cord becomes worn-out stop using the unit immediately and contact your nearest Authorized Sunbeam Service Center for repair.
2. Be sure to use a 120 Volt AC/10 Ampere power supply.
3. In Order to avoid electric shock or damage to the unit, do not rinse or immerse the Temperature Control in water or any other liquid.

HANDLE WITH CARE

The Grill Plate surface is non-stick Xylan® coated.

1. **Do NOT** use sharp metal utensils or knives to cut food on the Grill Plate.
2. **Do NOT** place the Temperature Control on the Grill Plate surface. It may scratch or damage the surface of the Grill Plate.
3. **Do NOT** use cleansers, nylon or metal brushes. It may scratch or damage the surface of the Grill Plate.
4. When removing the Grill Plate, always grip the base of grill and safety handle.
5. After the unit has cooled, be sure to clean the Grill Plate with-a slightly damp cloth and then clean manually with warm, soapy water or place Grill in a dishwasher.
6. **Do NOT** use Grill Plate on unstable locations or near flammable materials such as newspaper, PVC cloth, floor cushions, etc.
7. **Do** ___ wash Grill Plate with the Temperature Control connected.

QUESTIONS?

Sunbeam Consumer Service 1-800-526-2832

www.sunbeam.com

RECIPES

CITRUS-MARINATED CHICKEN

2 lemons
2 oranges
1/4 cup maple syrup
1 Tbsp. olive oil
2 tsp. thyme
1/2 tsp. black pepper
2-1/2 lbs. chicken wings and drumsticks

Grate the zest from the lemons and orange. Squeeze the juice from the lemons and orange; set the juices aside. In a small bowl, combine the grated lemon and orange zests and the maple syrup. Set aside.

In a separate bowl, blend the reserved citrus juices, oil, thyme and pepper. Add the chicken and turn to coat completely. Cover the bowl with plastic wrap. Marinate in the refrigerator for at least 4 hours or overnight, turning the chicken occasionally.

Grill chicken, turning often or until almost cooked through. Brush the chicken with some of the maple syrup mixture, turn and grill for 1 minute. Brush the chicken with the remaining mixture, turn and grill for 1 more minute.

YIELD: 4 SERVINGS

TURKEY BURGERS

1-1/4 lb. ground turkey
1 Tbsp. Dijon mustard
1 Tbsp. Worcestershire sauce
2 garlic cloves, minced
1 small onion, minced
1/2 tsp. salt
1/4 tsp. black pepper
4 slices Monterey Jack cheese
4 bread rolls, split and toasted

In a bowl, mix together turkey, mustard, Worcestershire sauce, garlic, onion, salt and pepper. Form into 4 patties.

Grill the patties turning once or until they are firm and cooked through. Put a piece of cheese on each burger. Grill for about 30 seconds or until the cheese is melted.

Place each burger on a bun and serve with lettuce, tomato and onion (*optional*).

YIELD: 4 SERVINGS

PESTO-PEPPER SALMON STEAKS

1 cup chicken broth	1/2 tsp. salt
5 garlic cloves, peeled	1/4 tsp. black pepper
2 tsp. olive oil	2 cups frozen corn kernels, thawed
2 cups packed fresh basil leaves	4 scallions, sliced
2 Tbsp. grated Parmesan cheese	4 bell peppers, mixed colors,
2 Tbsp. fine, dry unseasoned breadcrumbs	halved lengthwise and seeded,
1 Tbsp. fresh lemon juice, plus 1 lemon,	stems left on
cut into wedges	4 salmon steaks (<i>about 1 lb. total</i>)
	cut 1/2-inch thick

In a saucepan, combine the broth, garlic and oil. Bring to a boil over medium-high heat and cook until reduced to about 1/4 cup, about 12 minutes. Let cool slightly and place in an Osterizer® Blender along with the basil, Parmesan, breadcrumbs, lemon juice, salt and black pepper and process until the pesto is smooth. In a bowl, place the corn, scallions and half of the pesto and toss to combine.

Grill the pepper halves, cut sides toward the heat, for 8 minutes. Remove them from the grill and spoon the corn mixture into them, dividing evenly.

Brush the salmon steaks lightly with some of the remaining pesto. Grill the salmon, turning once and basting liberally with the remaining pesto until the salmon is firm and flakes in the center when tested with the tip of a knife. Return the bell peppers to the grill to warm for 1 minute.

Remove the salmon skin before eating. Serve the salmon and peppers with lemon wedges.

YIELD: 4 SERVINGS

GRILLED-ONION DIJON BURGERS

1 lb. lean ground beef	1/2 tsp. black pepper
1/2 cup fine unseasoned dry breadcrumbs	2 Tbsp. olive oil
1/4 cup + 2 Tbsp. Dijon mustard	1 large red onion, cut crosswise into 1/2-inch rounds
1/4 cup dry red wine	1 large yellow onion, cut crosswise into 1/2-inch rounds
1 large egg	
2 tsp. tarragon	

In a bowl, combine the beef, breadcrumbs, 2 Tbsp. mustard, 3 Tbsp. red wine, egg, 1 tsp. tarragon and 1/4 tsp. pepper. Mix briefly, just to distribute the breadcrumbs and seasonings. Shape the meat mixture into 4 patties.

In a different bowl, combine the remaining 1/4 cup mustard, 1 Tbsp. red wine, 1 tsp. tarragon, 1/4 tsp. pepper and the oil and blend well.

Brush the burgers and onion slices with half the mustard mixture and grill for 5 minutes. Turn the burgers and onions and brush them with the remaining mustard mixture. Grill for 2 to 4 minutes for medium-rare, 4 to 5 minutes for medium, 6 to 7 minutes for well done, or until desired doneness.

YIELD: 4 SERVINGS

STUFFED GRILLED MUSHROOMS

1 cup reduced-sodium chicken broth	4 oz. Italian or French bread, crumbled
3 Tbsp. Dijon mustard	1/2 cup chopped parsley
2 Tbsp. fresh lemon juice	4 scallions, thinly sliced
1/2 tsp. Worcestershire sauce	2 garlic cloves, minced
12 large mushrooms, stems removed and reserved	1/2 tsp. salt 1 tsp. olive oil

In a bowl, combine the broth, mustard, lemon juice and Worcestershire sauce. Add the mushroom caps and toss to coat completely. Marinate at room temperature for 30 minutes.

Reserving the marinade, drain the mushroom caps and set aside. Chop the mushroom stems and place them in a bowl. Add the bread, parsley, scallions, garlic, salt and oil. Add the reserved marinade to the bread mixture and stir to moisten thoroughly.

Grill the mushrooms, stemmed side down, for 5 minutes, or until lightly browned. Transfer the mushrooms to a flat surface, turn them stemmed sides up and spoon the stuffing mixture into them, patting it down lightly. Return the mushrooms to the grill. Cover the mushrooms with heavy-duty foil and grill for 8 minutes or until the stuffing is hot.

YIELD: 4 SERVINGS

2-YEAR LIMITED WARRANTY

Sunbeam Products, Inc. warrants to the original purchaser, subject to the limitations and exclusions set forth below, that this product shall be free, in all material respects, of mechanical and electrical defects in material and workmanship from the date of purchase for two years. This warranty does not cover normal wear of parts or damage resulting from any of the following: negligent use or misuse of the product, use on improper voltage or current, use contrary to operating instructions or disassembly, repair or alteration by any person other than an authorized service center.

Our obligation hereunder is limited to repair or replacement with a new or refurbished unit of the same or a similar model of as good or better quality, at manufacturer's option, of the product during the warranty period, provided that the product, along with the model number and original dated proof of purchase, is sent postage prepaid, directly to the following address:

For products purchased in the United States:

SUNBEAM APPLIANCE SERVICE STATION
Attention: Service Department
117 Central Industrial Row
Purvis, MS 39475

For products purchased in Canada:

SUNBEAM CANADA CORP., LTD.
Please call us or email us at
1-800-663-8623
consumeraffairs@consumer.sunbeam.com

Do not return this product to the place of purchase or to the manufacturer; doing so may delay the processing of your warranty claim.

Answers to questions regarding this warranty or for your nearest authorized service location may be obtained by calling toll-free 1-800-597-5978 or by writing to Sunbeam – Consumer Affairs, at P.O. Box 948389, Maitland, FL 32794-8389. Answers to questions regarding this warranty or for your nearest Canadian authorized service location may be obtained by calling toll-free in Canada 1-800-667-8623. For warranty information or for an authorized service location outside of the United States and Canada, please see the warranty service card inserted in the product packaging.

DISCLAIMER

Product repair or replacement as provided under this warranty is your exclusive remedy. **SUNBEAM PRODUCTS, INC. SHALL NOT BE LIABLE FOR ANY INCIDENTAL OR CONSEQUENTIAL DAMAGES FOR BREACH OF ANY EXPRESS OR IMPLIED WARRANTY ON THIS PRODUCT OR ANY PART THEREOF. EXCEPT TO THE EXTENT PROHIBITED BY APPLICABLE LAW, SUNBEAM PRODUCTS, INC. DISCLAIMS ANY IMPLIED WARRANTY OF MERCHANTABILITY OR FITNESS FOR A PARTICULAR PURPOSE OF THIS PRODUCT OR ANY PART THEREOF.** Some states and provinces do not allow the exclusion or limitation of incidental or consequential damages, or allow limitations on how long an implied warranty lasts, so the above limitations or exclusions may not apply to you. This warranty gives you specific legal rights, and you may also have other rights, which vary from State to State or Province to Province.

Sunbeam®

©1999 Sunbeam Corporation or its affiliated companies. All rights reserved,
SUNBEAM® is a registered trademark of Sunbeam Corporation or its affiliated companies,
GRILLSMART™ is a trademark of Sunbeam Corporation or its affiliated companies.
Distributed by Sunbeam Products, Inc., Boca Raton, Florida 33431, or an affiliated company.

Sunbeam®



MODELO 4766

Manual de Instrucciones con Recetas
PARRILLA PARA INTERIORES

GrillSmart

Download from www.Somanuals.com. All Manuals Search And Download.

Gracias por la compra de su SUNBEAM® PARRILLA INTERIORES GRILLSMART™. Antes de usar este producto la primera vez, por favor tome un momento para leer estas instrucciones y guárdelas para futura referencia. Ponga particular atención a las Instrucciones de Seguridad que se ofrecen. Por favor lea los estatutos en la garantía del producto. Para futuras referencias, por favor escriba lo siguiente:

Fecha en que el Producto se Recibió: _____

Numero de Servicio: _____
(Localizado abajo de la unidad)

PRECAUCIONES IMPORTANTES

Cuando use aparatos eléctricos, siempre deben de tomarse algunas precauciones básicas de seguridad, incluyendo las siguientes:

1. **LEA TODAS LAS INSTRUCCIONES, LAS ETIQUETAS EN EL PRODUCTO Y LAS ADVERTENCIAS ANTES DE USAR LA PARRILLA PARA INTERIORES GRILLSMART™.**
2. No toque las superficies calientes. Siempre use guantes cuando maneje materiales calientes y permita que las partes metálicas se enfríen antes de limpiar. Permita que la Parrilla se enfríe bien antes de poner o quitar partes. Siempre use las asas de la Parrilla cuando mueva el aparato.
3. Desconecte la Parrilla de la toma de corriente cuando no este en uso y antes de limpiarla. Nota: Verifique que el Disco del Termostato esté en posición de apagado OFF antes de desconectar.
4. Para protegerse contra el riesgo de una descarga eléctrica, no sumerja el Control de Temperatura en agua o en cualquier otro líquido.
5. Supervisión cercana es siempre necesaria cuando este o cualquier otro aparato es usado cerca de niños. Esta Parrilla para Interiores no está diseñada para ser usada por niños.
6. No opere este o ningún otro aparato con un cordón dañado o quemado o después de que el aparato ha funcionado inadecuadamente, se ha caído o ha sido dañado en cualquier forma. Regrese el aparato a un Centro de Servicio Autorizado Sunbeam, para su examinación, ajuste o reparación eléctrica o mecánica.
7. El uso de accesorios o aditamentos no recomendados por el fabricante puede causar incendios, descargas eléctricas o lesiones personales.
8. No se use en exteriores o con propósitos comerciales, No use la Parrilla para Interiores más que para lo que ha sido diseñada.

9. No permita que el cordón cuelgue sobre la orilla de la mesa o del mostrador o toque superficies calientes,
10. No coloque la Parrilla para Interiores sobre o cerca de quemadores. de estufas de gas o eléctricas o dentro de un horno caliente.
11. Puede ocurrir un incendio si la Parrilla para Interiores está en operación y está en contacto o cubierta con materiales inflamables, incluyendo cortinas, tapicería, paredes, etc. No coloque ningún objeto sobre la Parrilla para Interiores cuando el aparato esté en operación.
12. No almacene ningún objeto dentro de la Parrilla cuando no esté en operación.
13. No coloque dentro de la Parrilla para Interiores ningún material inflamable tal como papel, cartón, plástico o cualquier material que pueda incendiarse o derretirse.
14. Tenga extremo cuidado cuando mueva la Parrilla si ésta contiene aceite caliente o cualquier otro líquido caliente.
15. Siempre coloque el Control de Temperatura en la Parrilla para Interiores primero y mueva el Disco de Temperatura a la posición de apagado OFF. Después conecte el cordón a la toma de corriente eléctrica. Para desconectar, gire el Disco de Temperatura a la posición de apagado OFF, después quite el enchufe de la toma de corriente eléctrica;
16. Asegúrese que la base esté correctamente atornillada a la placa de calor. Observe las instrucciones acerca de la colocación. de la base en las Páginas 18 y 19.
17. Para apagar este aparato, coloque el Disco de Temperatura nuevamente en la posición de apagado OFF.
18. No coloque las manos debajo de la base durante la cocción
19. No coloque ningún tipo de combustible en la superficie de cocción.
20. No coloque utensilios de cocina hechos de material plástico en la superficie de la Parrilla cuando el aparato está encendido ON.
21. Cuando remueva el enchufe de la toma de corriente, tome el enchufe y jale hacia afuera.

CONSERVE ESTAS INSTRUCCIONES

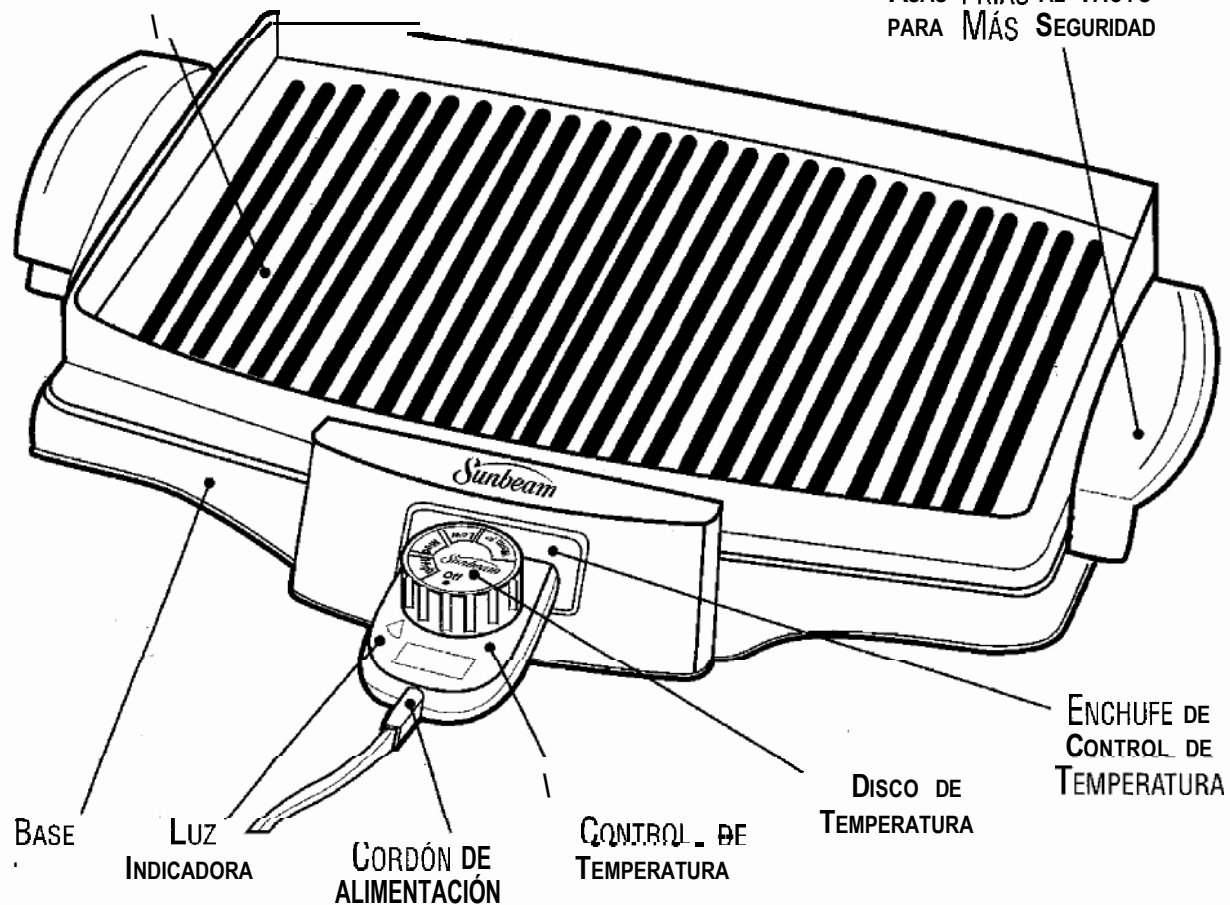
ESTA UNIDAD ES PARA USO DOMÉSTICO SOLAMENTE

PARA PRODUCTOS COMPRADOS EN ESTADOS UNIDOS Y CANADA ÚNICAMENTE
Para reducir el riesgo de descargas eléctricas, este aparato cuenta con una clavija polarizada (una *cuchilla es más ancha que otra*). Como medida de seguridad, esta clavija entra sólo de una manera en un enchufe polarizado. Si la clavija no encaja en el enchufe simplemente colóquela al revés. Si aun así no encaja llame a un electricista calificado. De ninguna manera intente modificar esta medida de seguridad.

CONOZCA SU PARRILLA GRILLSMART™

SUPERFICIES DE COCCIÓN
ARQUEADAS

ASAS FRÍAS AL TACTO
PARA MÁS SEGURIDAD

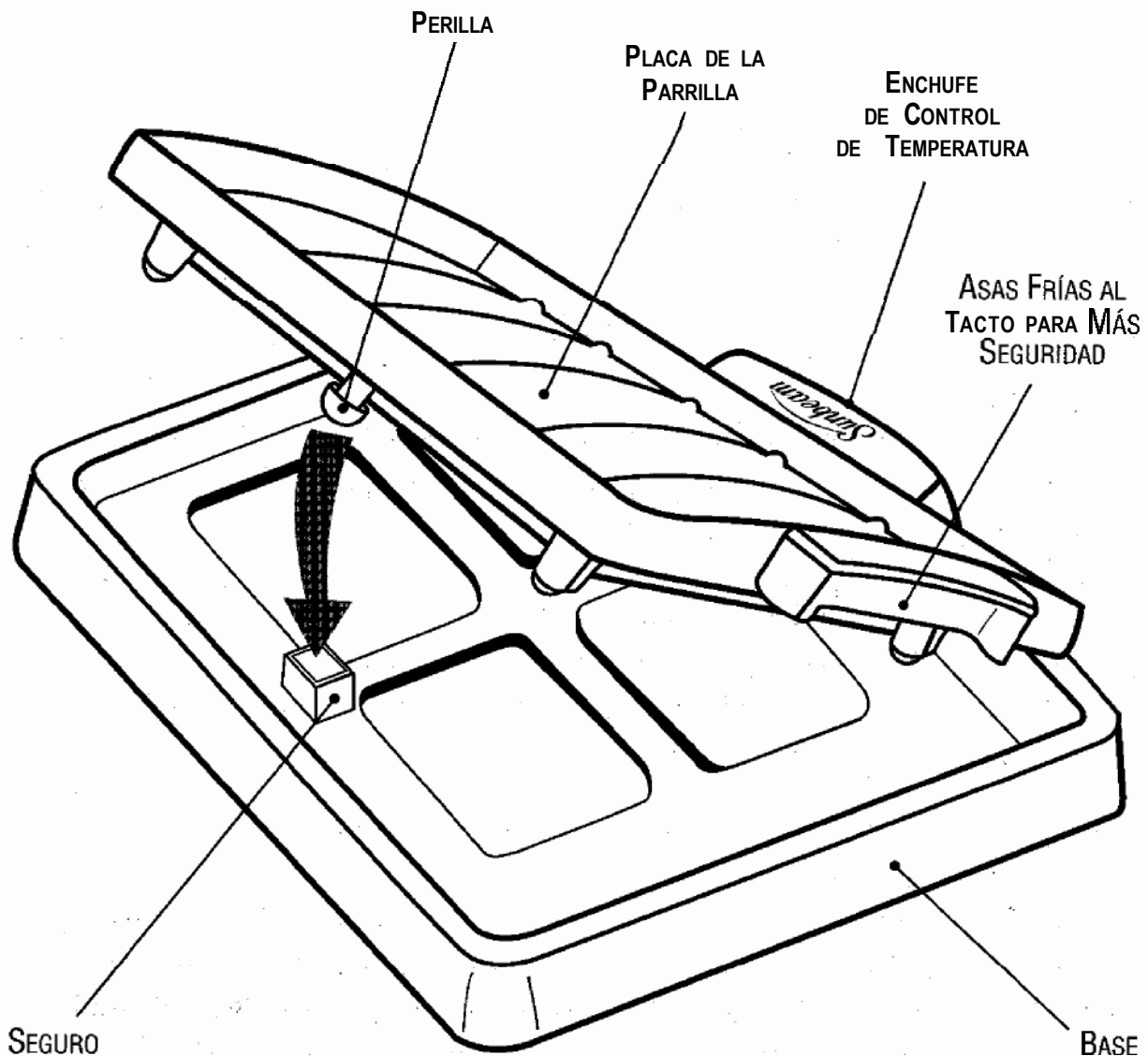


DIRECCIONES PARA ASAR A LA PARRILLA

1. lave la Superficie de la Parrilla y de la Base en agua caliente y jabonosa, enjuague y seque muy bien.
2. Coloque la Placa de la Parrilla a la Base. Asegúrese de que el seguro abajo de la Placa de la Parrilla haga un sonido de clic y que esté correctamente colocada en su lugar.
3. Coloque el Disco de Temperatura en la posición de apagado OFF. Inserte el Control de Temperatura dentro del Enchufe de Control de Temperatura y enchufe el Cordón dentro de una toma de corriente estándar de 120 voltios CA. Si el Control de Temperatura no está completamente insertado, el aparato puede calentarse de una forma anormal, resultando en algún accidente o daño.
4. Coloque el Disco de Temperatura en el nivel deseado.
5. La Luz Indicadora se apagará cuando se haya alcanzado la temperatura correcta de cocción.
6. Cuando los alimentos estén completamente cocinados, se puede mantener caliente al colocar el Control de Temperatura en la posición de mantener caliente KEEP WARM.
7. Después del uso, coloque el Disco de Temperatura en la posición de **apagado OFF**, desconecte la unidad de la toma de corriente eléctrica y desconecte el Enchufe de Control de Temperatura.

DIRECCIONES PARA LA LIMPIEZA

1. Remueva el Control de Temperatura del Enchufe de Control de Temperatura.
2. Tome la Base con una mano y el Asa de Seguridad con la otra. Levante lentamente la Placa de la Parrilla agarrando el asa mientras sostiene la Base de la Parrilla abajo, Jale la Placa de la Parrilla hacia adelante para retirarla de la base. El Seguro de desactivará. Si la parrilla está caliente, use guantes de cocina.
3. Enjuague la Placa de la Parrilla y colóquela dentro de la máquina lavaplatos.
NOTA: La Base de la Parrilla debe colocarse en la rejilla superior de la máquina lava platos únicamente. Usted puede también lavarla a mano en agua caliente y jabonosa.
4. Asegúrese de que la Placa de la Parrilla y la Base estén completamente secas antes de usar.



CUIDADOS Y SUGERENCIAS

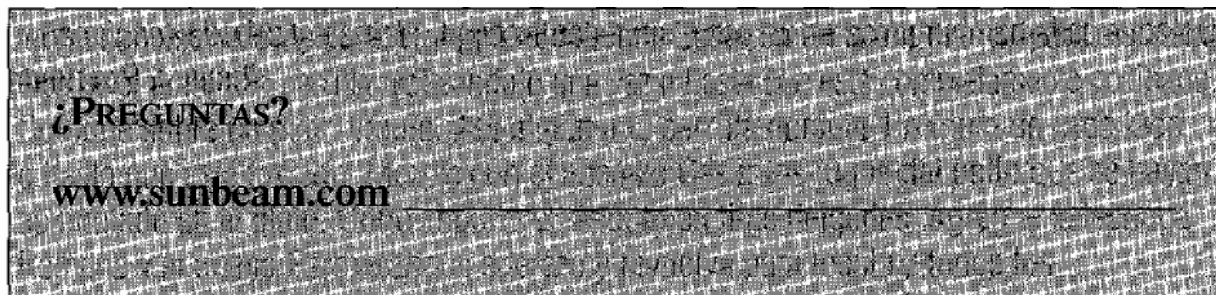
CORDÓN DE ALIMENTACION

1. Si el cordón de alimentación se desgasta, deje de usar la unidad inmediatamente y póngase en contacto con el Centro de Servicio Autorizado Sunbeam más cercano, para reparar el cordón
2. Asegúrese de usar una toma de corriente alterna de 120 voltios y 10 amperes.
3. Para evitar descargas eléctricas o daños a la unidad, no enjuague o sumerja el Control de Temperatura en agua ni en ningún otro líquido.

MANEJE CON CUIDADO

La superficie de la Placa de la Parrilla tiene un recubrimiento antiadherente de Xylan

1. No use utensilios de cocina filosos o cuchillos para cortar alimentos sobre la Placa de la Parrilla.
2. No coloque el Control de Temperatura sobre la superficie de la Placa de la Parrilla. Puede dañar o raspar la superficie de la Placa de la Parrilla.
3. No use limpiadores, cepillos de nilón o de metal. Puede dañar o raspar la superficie de la Placa de la Parrilla.
4. Cuando remueva la Placa de la Parrilla, siempre tome la base de la parrilla y el asa de seguridad.
5. Después de que la unidad se ha enfriado, asegúrese de limpiar la Placa de la Parrilla con un paño ligeramente humedecido y después limpie manualmente con agua tibia y jabonosa o coloque la Parrilla dentro de la máquina lavaplatos.
6. No use la Placa de la Parrilla en un lugar inestable o cerca de materiales inflamables como periódicos, paños de PVC, cojines para piso, etc.
7. No lave la Placa de la Parrilla con el Control de Temperatura conectado.



RECETAS

POLLO MARINADO EN SALSA CÍTRICA

2 limones	2 cucharaditas de tomillo
2 naranjas	1/2 cucharadita de pimienta negra
1/4 de taza de jarabe de maple	2-1/2 libras de alas y piernas de pollo
1 cucharada de aceite de olivo	

Ralle las cáscaras de los limones y naranjas. Exprima el jugo de ambos y colóquelo a un lado. En un tazón pequeño, mezcle la ralladura de limón, de la naranja y el jarabe de maple y en otro tazón aparte, revuelva los jugos, el aceite, el tomillo y la pimienta. Agregue el pollo y recubra completamente. Tape el tazón con papel plástico. Marine en un refrigerador durante al menos 4 horas o si es posible durante la noche, volteando el pollo ocasionalmente. Cocine el pollo a la parrilla, volteando constantemente o hasta que esté completamente cocinado. Unte un poco de la mezcla de maple sobre el pollo, gire y cocine a la parrilla durante 1 minuto. Unte el pollo con el sobrante de la mezcla, volteo y cocine a la parrilla por un minuto más.

RINDE: 4 PORCIONES

HAMBURGUESAS DE PAVO

1-1/4 libras de carne de pavo molida	1/2 cucharadita de sal
1 cucharada de mostaza Dijon	1/4 de cucharadita de pimienta
1 cucharada de salsa Inglesa	4 rebanadas de queso blanco para derretir
2 dientes de ajo molidos	4 bollos, cortados y tostados
1 pequeña cebolla, molida	

En un tazón, mezcle la carne de pavo, la mostaza, la salsa Inglesa, el ajo, la cebolla, la sal y la pimienta. Forme 4 hamburguesas. Ase a la parrilla volteando la carne una vez o hasta que tengan consistencia firme y estén bien cocidas. Ponga una pieza de queso sobre cada hamburguesa. Cocine durante 30 segundos o hasta que el queso se haya derretido. Coloque cada hamburguesa en un pan y sirva con lechuga, jitomate y cebolla (*opcional*).

RINDE: 4 PORCIONES

PECHUGAS DE POLLO CON LIMÓN Y MIEL

3 cucharadas de jugo de limón fresco	1 cucharadita de salsa de soya
1 cucharada de miel	1/4 de cucharadita de jengibre molido
1 cucharada de aceite vegetal	4 pechugas de pollo deshuesadas cortadas en mitades

En un tazón, combine el jugo de limón, la miel, el aceite, la salsa de soya y el jengibre. Recubra las pechugas con la mezcla y deje remojando durante 10 minutos. Saque el pollo de la salsa y guárdela. Cocine el pollo a la parrilla volteándolo una vez y untando la salsa que guardó, hasta que esté completamente cocinado.

RINDE: 4 PORCIONES

ENSALADA CESAR CON POLLO A LA PARRILLA

3 dientes de ajo	3 cucharadas de jugo de limón fresco
3 cucharadas de aceite de olivo	6 a 8 filetes de anchoas
1 cucharadita de ralladura de limón	2 cucharadas de mayonesa
1/2 cucharadita de sal	8 tazas de lechuga Romana cortada en trozos pequeños
1/2 cucharadita de pimienta negra	1/4 de taza de queso Parmesano rayado
12 rebanadas de pan francés	
3/4 lb. de pechugas de pollo sin piel y deshuesadas cortadas a la mitad	

Muela un diente de ajo. En un tazón, mezcle un diente de ajo molido y 1 cucharada de aceite de olivo, la ralladura de limón, 1/4 de cucharadita de sal y 1/4 de cucharadita de pimienta. Con un cepillo, unte ligeramente 1 lado de cada pechuga de pollo con la mezcla de aceite. Ponga el pollo sobre un plato y unte el sobrante de la mezcla en ambos lados de la pechuga. Coloque a un lado.

En un Procesador de Alimentos Oster®, combine el jugo de limón, las anchoas, la mayonesa, el aceite, la sal y la pimienta sobrantes. Con el procesador en funcionamiento, agregue los dientes de ajo dejándolos caer por el tubo de alimentación y procese hasta la mezcla tenga consistencia de puré. Coloque el aderezo Cesar en un tazón grande para ensalada. Cocine el pollo a la parrilla, volteándolo una vez o hasta que esté completamente cocinado. Coloque sobre un plato limpio. Ase el pan a la parrilla durante 1 minuto de cada lado o hasta que esté tostado. Mezcle con el aderezo Cesar los jugos del pollo que se hayan acumulado en el plato. Corte el pollo en ángulo en tiras delgadas. Agregue la lechuga Romana y el queso Parmesano al aderezo y revuelva para recubrir todos los ingredientes. Agregue el pan y el pollo, revuelva una vez más y sirva.

RINDE: 4 PORCIONES

FILETES DE SALMÓN AL PESTO Y A LA PIMIENTA

1 taza de consomé de pollo	1/2 cucharadita de sal
5 dientes de ajo, pelado	1/4 de cucharadita de pimienta negra
2 cucharaditas de aceite de olivo	2 tazas de granos de maíz congelados, ya descongelados
2 tazas de hojas de albahaca fresca	4 cebollinos rebanados
2 cucharadas de queso Parmesano	4 pimientos de diferentes colores cortados a lo largo molido en mitades sin semillas y sin rabos
1 cucharada de jugo de limón fresco	4 filetes de salmón (<i>aprox. 1 libra en total</i>), cortes de 1/2 pulgada de ancho
2 cucharadas de migas de pan sin condimentos	

En un sartén, combine el consomé, el ajo y el aceite. Hierva sobre un fuego medio alto y cocine hasta que se reduzca a 1/4 de taza, aproximadamente durante 12 minutos. Deje enfriar un poco y coloque dentro de la Licuadora Osterizer junto con la albahaca, el queso Parmesano, las migas de pan, jugo de limón, sal y pimienta negra y procese hasta que el pesto tenga una consistencia suave. En un tazón, coloque los granos de maíz, los cebollinos y la mitad del pesto, revuelva hasta que todos los ingredientes se combinen. Cocine a la parrilla las mitades de pimientos durante 8 minutos con la parte cortada hacia el calor. Saque de la parrilla y con una cuchara rellene con la mezcla de maíz dividiéndola uniformemente. Unte los filetes de salmón ligeramente con un poco de la salsa de pesto sobrante. Cocine a la parrilla los filetes, volteándolos una vez y untando con el pesto al gusto, hasta que el salmón tenga consistencia firme y se desmorone del centro cuando lo pruebe con la punta del cuchillo o del tenedor. Coloque los pimientos nuevamente sobre la parrilla para calentarlos durante 1 minuto. Quítele la piel al salmón antes de comerlo. Sirva el salmón y los pimientos con rodajas de limón.

RINDE: 4 PORCIONES

HAMBURGUESAS CON CEBOLLA DIJON A LA PARRILLA

1 lb. de carne molida sin grasa	1/2 cucharadita de pimienta negra
1/2 taza de migas de pan sin sazón	2 cucharadas de aceite de olivo
1/4 taza + 2 Cu. de mostaza Dijon de 1/4 de taza de vino tinto seco	1 cebolla roja grande, cortada en rodajas de 1/2 pulgada de ancho
1 huevo grande	1 cebolla amarilla grande, cortada en rodajas de 1/2 pulgada de ancho
2 cuta. de estragón	

En un tazón, mezcle la carne, las migas de pan, 2 cucharadas de mostaza, 3 cucharadas de vino tinto, el huevo, 1 cucharadita de estragón y 1/4 de cucharadita de pimienta. Revuelva ligeramente, lo suficiente para distribuir la migas de pan y los condimentos. Forme con la mezcla de carne 4 hamburguesas. En otro tazón, combine el 1/4 de taza sobrante de mostaza, 1 cucharada de vino tinto, 1 cucharadita de estragón, 1/4 de cucharadita de pimienta y el aceite; mezcle bien. Unte las hamburguesas y las rebanadas de cebolla con la mitad de la mezcla de mostaza y cocine a la parrilla durante 5 minutos. Voltee las hamburguesas y las cebollas y úntelas con el sobrante de la mezcla. Cocine a la parrilla durante 2 a 4 minutos para que la carne este poco cocida, 4 a 5 para termino medio, 6 a 7 para bien cocido o hasta que tenga el nivel de cocimiento que usted desee.

RINDE: 4 PORCIONES

CHAMPIÑONES RELLENOS A LA PARRILLA

1 taza de consomé de pollo bajo en sodio	4 oz. de pan Francés o Italiano hecho migas
3 Cu. de mostaza Dijon	1/2 taza de perejil picado
2 Cu. de jugo de limón fresco	4 cebollinos finamente rebanados
1/2 cuta. de salsa Inglesa	2 dientes de ajo, molidos
12 champiñones grandes sin tallo (reserve el tallo para después)	1/2 cuta. de sal 1 cuta. de aceite de olivo

En un tazón, mezcle el consomé, la mostaza, el jugo de limón y la salsa Inglesa. Agregue los champiñones y recúbralos con esta salsa completamente. Marine a temperatura ambiente durante 30 minutos. Saque los champiñones de la salsa para marinar y colóquelos a un lado, reserve la salsa para después. Corte lo tallos de los champiñones y colóquelos en un tazón. Agregue el pan, el perejil, los cebollinos, el ajo la sal y el aceite. Agregue la salsa para marinar que había guardado y revuelva para humedecer bien. Cocine los champiñones a la parrilla, con el lado del tallo hacia abajo, durante 5 minutos, o hasta que estén ligeramente dorados. Transfiera los champiñones a una superficie plana, con el lado del tallo hacia arriba y con la ayuda de una cuchara, rellénelos con la mezcla, apretándola ligeramente. Coloque los champiñones en la parrilla nuevamente. Cúbralos con papel aluminio grueso y cocine a la parrilla durante 8 minutos o hasta que el relleno esté caliente.

RINDE: 4 PORCIONES

PARA MÉXICO SOLAMENTE

UN AÑO DE GARANTÍA

UN AÑO DE GARANTÍA

Póliza de Garantía, SUNBEAM MEXICANA S.A. de C.V.

Sunbeam Mexicana S.A. de C.V. garantiza por el término de un año este aparato en todas sus partes y mano de obra contra cualquier defecto de fabricación y funcionamiento, en uso doméstico normal a partir de la fecha de entrega.

Incluye la reparación o reposición gratuita de cualquier parte o componente que eventualmente fallará y la mano de obra necesaria para su diagnóstico y reparación, así como los gastos de transportación del producto a partir de la recepción en los Talleres de Servicio Autorizados derivados del cumplimiento de este certificado.

CONDICIONES

1. Para hacer efectiva esta garantía no podrán exigirse mayores requisitos que la presentación de esta póliza debidamente llenada, sellada y fechada por la casa vendedora junto con el aparato en el lugar donde fue adquirido o en cualquiera de los Centros de Servicio Autorizados que se indican en el reverso.
2. Esta póliza quedará sin efecto en los siguientes casos:
 - a) Cuando el aparato haya sido utilizado en condiciones anormales y los daños que presentara manifestaran un maltrato, descuido o mal uso.
 - b) Cuando el aparato haya sido operado en forma diferente a las condiciones normales que marca el instructivo, mismo que señala los valores nominales y tolerancias de tensiones (voltajes) y frecuencias (ciclajes de la alimentación eléctrica).
 - c) Cuando el aparato haya sido intervenido por personal no autorizado provocando alteraciones inadecuadas.
3. Los Talleres de Servicio Autorizados por Sunbeam Mexicana. S.A. de C.V., repararán y devolverán el aparato en un plazo no mayor a 30 días contados a partir de la fecha de haber ingresado éste a uno de los talleres. Excepto en caso de demoras en el servicio originado por causas de fuerza mayor o cualquier otro motivo fuera del control de los Talleres de Servicio Autorizados tales como huelga en las fábricas proveedoras, etc., situación que será comunicada a usted a través de los Talleres respectivos.
4. La garantía de esta Póliza cubre cualquier daño o desperfecto que llegara a ocurrir en el interior de los Talleres de Servicio Autorizados o en el transporte de sus vehículos, pero sin asumir la responsabilidad por daños robos, extravíos o destrucción del aparato durante los almacenamientos o transportes efectuados por terceros no autorizados.
5. En caso de extravío de la Póliza de Garantía, usted podrá recurrir al lugar donde adquirió su aparato, donde le expedirán otra Póliza de Garantía previa presentación de la Nota de Compra, Remisión o Factura respectiva.

Al término de su Póliza de Garantía, los Talleres de Servicio Autorizados, seguirán a sus órdenes para brindarle el servicio que usted se merece, siempre con la confianza SUNBEAM®, OSTER® y OSTERIZER®

Sello de la Casa Vendedora	Aparato _____
	Marca _____
	Modelo _____

La presente garantía contará a partir de la fecha de entrega.

Año Mes Día

PARA USO DEL PROPIETARIO DEL APARATO

Sello de la Casa Vendedora

SUNBEAM MEXICANA,
S.A. de C.V.
Vía Dr. Gustavo Baz No. 180
Tlalnepantla, Edo. de México,
C.P. 54090
Tel. 729-2100

TIMBRE



**"UNA RESPUESTA PARA
CADA PREGUNTA"**

¿TIENE UD. ALGUNA PREGUNTA
O COMENTARIO?

**LLÁMENOS SIN COSTO AL: 01-800-506-1700
DEL D.F. AL: 5-729-2100**

DE LUNES A VIERNES DE LAS 8:30 HRS. A LAS 17:00 HRS.

SUNBEAM MEXICANA S.A. DE C.V.

Vía Dr. Gustavo Baz No. 180, Tlalnepantla, Edo. de México
C.P. 54090
Tel 5-729-2100 Fax 5-397-0399

OFICINAS DE VENTA EN LA REPÚBLICA MEXICANA:

SUCURSAL TLALNEPANTLA EDO. DE MÉXICO

Vía Dr. Gustavo Baz No. 180 Tel: 5-729-2100

SUCURSAL GUADALAJARA, JALISCO

Juan Kepler #4536-4, Col. Residencial Arboledas, Zapopan,
C.P. 45070 Tel: 01-3-632-1307/Fax: 01-3-632-6207

SUCURSAL MONTERREY, NUEVO LEÓN

Plaza Puerta del Sol 502 Local 19, Colinas de San Jerónimo,
C.P. 06463 Tel: 01-8-315-2666/Fax: 01-8-315-2627

©OSTERIZER®, SUNBEAM® y OSTER® son Marcas Registradas de Sunbeam Corporation

©Sunbeam Products, Inc. o sus compañías afiliadas, todos los derechos reservados Sunbeam,
es una marca registrada de Sunbeam Products, Inc. o de sus compañías afiliadas.
Distribuido por: Sunbeam Products, Inc. Boca Raton, FL 33431.

Use sólo refacciones originales

ESTADO Y CIUDAD	NOMBRE Y DIRECCIÓN	TELÉFONO
MICHOCAN	APATZINGAN - REFRIG. Y CLIMAS ARTIF. DE MEXICO - Cart. Apatzingán Cuatro Caminos No. 202. Col. La Nueva	4-5030 y 4-5082
	LA PIEDAD - REFRIGERACIÓN CALDERON - Vicente Guerrero No. 109. Zona Centro	2-1504
	MORELIA - CASA MARY - Alvaro Obregón No. 22. Zona Centro	2-5415
	MORELIA - CENTRAL DOMÉSTICA DE MORELIA - Av. Morelia Sur No. 618	2-1796
	PURUANDIRO - REFACCIONARIA SAN FRANCISCO - Fagoaga No. 72-A. Centro	83-1405
	SAHUAYO - REFRI-LAV - Matamoros No. 4 Esq. Morelos	2-3873 y 23895
	URUJAPAN - EL SURTIDOR DEL HOGAR - Madero No. 12-A	4-2926
	ZAMORA - MULT. SERV. PROF. DE ZAMORA - Virrey de Mendoza No. 283-C	5-1108
	ZAMORA - RYSE DE IRAPUATO S.A. DE C.V. - Av. 5 de Mayo Esq. Colón	2-3304 y 2-5368
	ZITACUARO - DEL CENTRO - Av. Hidalgo Poniente No. 2	3-2191
MORELOS	CUAUTLA - SERVICIO DEL HOGAR - 2 de Mayo No. 104-A	2-2856
	CUERNAVACA - MECÁNICA DOMÉSTICA INDUSTRIAL - Matamoros No. 410-A Zona Centro	12-4512
	CUERNAVACA - SERVICIO Y REFAC. S.A. - Plan de Ayala y Av. Central, Local 6	15-7041
MAYARIT	TEPIC - TECNO HOGAR - Av. México No. 37 Sur	2-1936
	CERDADO - CERRAJERIAS REGIA - Carretera Nacional No. 211. Fracc. Las Hadas	5-0383
NUEVO LEÓN	GUADALUPE - CERRAJERIAS REGIA - Av. Miguel Alemán No. 243 Oriente, Col. Lindavista	79-0794
	GUADALUPE - CERRAJERIAS REGIA - Hacienda No. 1234-A Oriente, Fracc. Hda. de Guadalupe	37-3494 y 37-8510
OAXACA	MONTERREY - CERRAJERIA DEL VALLE - Orinoco No. 207 Norte	78-3655
	MONTERREY - ELECTRODOMÉSTICA DE REFACCIONES - Fidel Velázquez No. 1513 Poniente L-4F. Col. La Central	
	MONTERREY - JOSE F. SEPULVEDA - Ruperto Martínez No. 238 Oriente, Col. Centro	43-6700 y 43-1815
	MONTERREY - REFAC. DOMÉSTICAS MONTERREY - Av. Gonzalitos No. 3501 Loc. 44 Col. Miltras Norte	73-1621
	MONTERREY - SERVICIO Y REFAC. HECTOR SEPULVEDA S.A. DE C.V. - Zaragoza No. 203 Sur	43-8909 y 42-3970
	SAN NICOLAS DE LAS GARZAS - CERRAJERIAS REGIA - Av. Parque Anahuac No. 105 Oriente. Col. Anahuac	76-9024
	OAXACA - SERVICIO ELECTRODOM. APARICIO - Av. Pariférico No. 111. Col. Postal	3-6277
	TUXTEPEC - SERVICIO ESPECIALIZADO WHIRLPOOL - José Mania Morelos No. 1234	5-4616
	PUEBLA - ATLIXCO - REFAC. DEL HOGAR - Calle Sur No. 503-B	5-2465
	PUEBLA - MATERIAL ELECTRICO LA CASA - 10 Oriente No. 15-B	46-5504
PUEBLA	PUEBLA - REPRESENTACIÓN DE PUEBLA - 3 Poniente No. 523-B	42-4955
	TEHUACAN - C. DE SERVICIO ALM. PATJANE - Av. Independencia Poniente No. 407, Col. Centro	2-3835
QUERÉTARO	TEZIUTLAN - ALMACENES 5-10-15 - Prof. Av. Juárez No. 2	2-0720
	QUERÉTARO - ELECTRÓNICA "J.M.V." - Calle Peña de Bernal No. 7-B. Col. Las Américas	17-1592
QUINTANA ROO	QUERÉTARO - ELECTRODOM ANTONIO - 16 de Septiembre No. 6-C Poniente	12-2149
	CANCUN - AGUILAR REFACCIONES - Av. López Portillo SM 70 Manz. 1 Local, 2 Col. Centro	84-0727
SAN LUIS POTOSI	COZUMEL - REFACCIONARIA DEL HOGAR - Adolfo Rosado Salas No. 33. Depto. 1, Col. Centro	2-1690
	CHETUMAL - TALLER DE REP. DE APARATOS ELECTRICOS ALVARADO - Hidalgo No. 89	2-3841
SINALOA	CIUDAD VALLES - REFACCIONARIA DEL HOGAR DE VALLES S.A. - Calle Aguilas No. 500	2-1148
	S.L.P. - ELECTRO HOGAR - Julián de los Reyes No. 328	12-2116
	S.L.P. - PROV. TECNO HOGAR GIVI - Himno Nacional No. 1410. Col. Las Aguilas	12-5808
	S.L.P. - SERVICIO ELECTRODOM. ITURBIDE - Damián Carmona No. 685	2-0487
	CULIACAN - SERVICIO DEL HOGAR GOMEZ - Av. Morelos No.183 Norte	3-6995
	GUAMUCHIL - ELEC. DOMÉSTICA E INDUSTRIAL - Zaragoza No. 157 Norte, Col. Juárez	2-1088
	LOS MOCHIS - NUEVO JAPON DE LOS MOCHIS - Benito Juárez No. 430 Poniente	2-5850
	LOS MOCHIS - TECOGAS DE OCCIDENTE, S.A. DE C.V. - Av. Hidalgo No. 545	5-5860 y 5-5247
	MAZATLAN - CAMACHO DE MAZATLAN, S.A. DE C.V. - Zaragoza No. 1211	1-6110 y 2-8420
	MAZATLAN - REFAC. DEL HOGAR, S.A. DE C.V. - German Evers No. 1708 Norte	85-1325 y 85-0794
SONORA	CIUDAD OREGON - TECNI.SERVICIOS GALICIA S.A. DE C.V. - Veracruz No. 435 Sur	3-8033 y 3-3315
	GUAYMAS - CENTRAL DE REFACCIONES SERVICIOS - Av. Miguel Alemán No. 75 Sur	2-3244
TABASCO	HERMOSILLO - SERVICIO ELECTRO HOGAR - Guerrero No. 80 Esq. Dr. Noriega	2-1244
	COMALCALCO - ELECTROHOGAR 2 HERMANOS - Juárez No. 1102 Esq. Rayon	4-2073
TAMAULIPAS	H. CARDEMÁS - COMERCIAL LA ESTRELLA - Mader No. 805, Col. Centro	2-0548
	VILLAHERMOSA - SERVICIO Y REFAC. FRIAS - Sánchez Megallanes No. 918	2-7002
VERACRUZ	CIUDAD VICTORIA - CARLOS A. CARRIZALES PAZ - Adolfo López Mateos No. Local 6	6-1335
	MATAMOROS - MUEBLERIA REAL DEL NORTE. S.A. DE C.V. - Juárez y Panamá No. 3-B	13-2122
	TAMPICO - COM. ELECTRICA BRICEÑO - H. del Cañonero No. 206 Oriente	12-3175 y 12-1775
	TAMPICO - HOSPITAL DE ELECTRODOM. - Diaz Mirón No. 909 Oriente	12-6940
	TAMPICO - SERVICIO ALLENDE - Olmos No. 602 Norte	12-1999
	REYNOSA - PROV. DE RESTAURANTES DE REYNOSA - Calle Bravo No. 500, Centro	22-5679
	COATZACOALCOS - ACC. Y REFRIG. DEL SURESTE, S.A. DE C.V. - Maipica No. 312	2-1976
	CORDOBA - VIC-MAR - Av. 2 No. 921	2-8393
	MINATITLAN - ELECTROREFRIG. CUPIL S.A. DE C.V. - Calle Amelia Riverol No. 10 Col. Playon Sur	3-5714
	ORIZABA - SIST. Y EQUIPOS COMPUTACIONALES S.A. DE C.V. - Poniente 2 No. 38	5-0311
YUCATAN	POZA RICA - REFAC. INTERNACIONAL DEL HOGAR - Mariano Artista, Esq. 16 de Sept., Col. Tajin	3-5119
	SAN ANDRÉS TUXTLA - TELE SERVICIO - Dr. Argudin No. 2	2-0570
ZACATECAS	TUXPAN - REFAC. INTERNACIONAL DEL HOGAR - Garizurielz No. 52	4-2016
	TUXPAN - REFAC. LINEA BLANCA DE TUXPAN, S.A. DE C.V. - Arteaga No. 1	4-5953
ZACATECAS	VERACRUZ - ELECTRODOMÉSTICA DEL PUERTO - Zamora No.1479	38-2154
	VERACRUZ - SERVIREFAC. RODRIGUEZ - Carlos Cruz No. 55 Local 4	32-5351
ZACATECAS	XALAPA - DOMÉSTICA TAPIA - Av. Rafael Murillo Vidal No. 3-F. Fraco. Ensueño	18-8759
	MÉRIDA - ELECTRODOMÉSTICOS REFORMA - Calle 72 No. 433-C	28-2137
ZACATECAS	MÉRIDA - REFACCIONARIA DEL HOGAR - Calle 67 No. 511	23-5652
	FRESNILLO - DOMÉSTICA MUNOZ - Calle 1858 No. 4, Fracc. González Ortega	2-5727
ZACATECAS	JUCHIPILA - TELE SERVICIO LUNA - Nicolás Bravo No. 1, Col. Centro	2-0599
	ZACATECAS - REFAC. DOMÉSTICAS ROMO - Rayon No. 220	2-3664

COMPRADOR:

CASA VENDEDORA:

Nombre _____ Nombre _____
Dirección _____ Dirección _____
Ciudad _____ Ciudad _____
Estado _____ Estado _____
Aparato _____ Marca _____ Modelo _____

La presente garantía contará a partir de la fecha de entrega Año _____ Mes _____ Día _____

**PARA SERVICIO DE GARANTÍA Y VENTA DE PARTES Y REFACCIONES
SUNBEAM MEXICANA, S.A. de C.V.**

Via Dr. Gustavo Baz No. 180, Tlalnepantla, Edo. de México
TALLERES DE SERVICIO AUTORIZADOS

ESTADO Y CIUDAD	NOMBRE Y DIRECCIÓN	TELÉFONO
AGUASCALIENTES	AGUASCALIENTES - DISTRIB. AGUASCALIENTES - Madero No. 203	15-1346
	AGUASCALIENTES - RYSE DE AGUASCALIENTES, S.A. - Atiende Poniente Y Victoria No. 118	15-5782
	AGUASCALIENTES - SAMUEL RODRIGUEZ D., - Abedul No. 1006	14-8222
BAJA CALIFORNIA NORTE	TJUANA - CASA ELÉCTRICA ROTHENHAUSLER - 5A. E. Zapata No. 1637	85-F 149 y 85-3025
	TJUANA - PLOMERIA LAS DOS EMES - Defensores de Baja California No. 200, Col. Ruiz Cortines	82-3189
CAMPECHE	CAMPECHE - REFA HOGAR DE CAMPECHE - Av. Fco. I. Medero. C. Com. Villa del Río. Depto. 1	1-4206
	CIUDAD DEL CARMEN - REFA HOGAR DE CARMEN - Calle No. 24. No. 73-C	2-3619
CHIAPAS	COMITAN - CENTRO SINGER DE COMITAN - 3A Calle Norte Poniente No. 59, Col. Centro	2-0290
	OCOSINGO - ELECTRONICA DEL ISTMO - 2A Av. Sur Oriente No. 14, Col. Centro	
	SAN CRISTOBAL DE LAS CASAS - REFA. ELECTRI-HOGAR - 20 de Noviembre No. 17-B Col. Centro	8-1137
	TAPACHULA - REFRIGERACIÓN Y SISTEMAS - 5A Calle Poniente No. 16-8 Col. Centro	8-7070
	TUXTLA GUTIERREZ - COMPRESORES Y PARTES DE REFRIGERACIÓN - 2A Poniente Sur No. 500, Col. Centro	3-7325
	TUXTLA GUTIERREZ - SERVICIO Y REFA. DE TUXTLA - 2A Oriente Norte No. 354 Int.	2-2737
CHIHUAHUA	CHIHUAHUA - REFA. Y SERVICIOS DE CHIHUAHUA - Av. Juárez No. 514	10-5540
	CHIHUAHUA - TALLER DE REFRIG. Y SERVICIOS ELECTRICOS - Ojinaga No. 507	10-5963
	CIUDAD DELICIAS - MUEBLERIA PORTILLO - Calle 1a. Norte No. 104, Col. Centro	Z-1457 y 2-8333
	CIUDAD JUAREZ - DIST. TURMIX Paseo Triunfo de la República No. 5298, Local 2-A Col. San Lorenzo	17-8030
	CIUDAD JUAREZ - REFA. DEL HOGAR DE CHIHUAHUA, S.A. DE C.V. - Av. Insurgentes No. 1669	2-2321 y 2-7575
	HIDALGO DEL PARRAL - CASA ELÉCTRICA DEL PARRAL - Calle Colegio No. 35	2-0320
	HIDALGO DEL PARRAL - CASA MAYKA - Maclovio Herrera No. 67 Local 12	Z-7845 y 2-4140
COAHUILA	SALTILLO - ELECTRICIDAD Y NOVEDADES DE SALTILLO - Calle Morelos No. 211-A Sur Centro	12-5525
	TORREON - COMERCIAL GARCIA DE TORREON. S.A. - Av. Juárez No. 99 Poniente	6-3010
	TORREON - JOSÉ C. DE JESUS LOPEZ, S.A. - Calle Acuna No. 259 Sur	12-9822
	TORREON - REFA. Y SERV. P/APAR DOMÉSTICOS - Presidente Carranza No. 655	19-5189 y 16-3165
COLIMA	COLIMA - JABA HERMANOS - Av. Pino Suárez No. 230	3-0930
	COLIMA - TODO PARA GAS - Ignacio Sandoval No. 15	2-7776
DISTRITO FEDERAL	MÉXICO - ART ELECTRICOS PARA EL HOGAR, S.A. DE C.V. - Av. Revolución 154-C Col. Tacubaya	516-0292
	MÉXICO - BULBOS Y REFA. ELECTRONICAS. - Plutarco Elías No. 1494-A Col. Zacahuzco	672-0808
	MÉXICO - CASA HUERTA - Calzada I. Zaragoza No. 3254 L. 13-8 Col. Sta. Martha	738-1972
	MÉXICO - CORP. ELECTRODOMÉSTICA CASA GARCIA, S.A. DE C.V. - Av. Patriotismo No. 875-B Col. Mixcoac	563-8723
	MÉXICO - DOMÉSTICA NORTE - Camino a Santiaguillo No. 131-C Deleg. Gustavo A. Madero	
	MÉXICO - DOMÉSTICA ORIENTE - Calle 7 Mz. 6 Lote 16	845-3328
	MÉXICO - DOMÉSTICOS ELECTRO S.A. DE C.V. - Tonalá No. 124 Col. Rome	584-0939 y 584-0950
	MÉXICO - ECONOHOGAR - López No. 31-A. Col. Centro	512-8006
	MÉXICO - REPARADORA DEL HOGAR TLAHUAC - FF.CC. Rafael Altixco No. 1 Tlahuac	842-4489
	MÉXICO - SERVICIO DOMÉSTICO DEL SUR - Blvd. La Virgen Manz. 1 Lota 6 Col. Carmen Sentan	608-2313
DURANGO	DURANGO - REFACCIONARIA EASY - Patoni No. 506 Sur	11-0251
	DURANGO - REFACCIONARIA EASY - Pino Suárez No. 423 Poniente	
	DURANGO - SERVICIO ESPARZA - 20 de Noviembre No. 507 con Porras	17-4736
	GOMEZ PALACIOS - REFA. Y SERV. P/APAR. DOMÉSTICOS STA. LUCIA - Hidalgo y Escobedo	14-0225
	GOMEZ PALACIOS - REFA. Y SERV. P/APAR. DOMÉSTICOS STA. LUCIA - Victoria No. 326-A Norte	14-6031
EDO. DE MÉXICO	COACALCO - ELECTRODOMÉSTICOS MARSOL - C. Comercial Coacalco. Local 33	875-7030
	ECATEPEC - SERVICIO DOMÉSTICO HEGGAR - Via Morelos No. 103 (Antes 30), Col. Jajalpa	787-2622
	ECATEPEC - SERVICIO HEGGAR - Via Morelos No. 26 Manz. 1 Col. Nuevo Laredo	787-7536
	IXTLAHUACA - POUREPUESTOS ORIGINALES - Plaza Suárez No. 1 - J	
	NETZAHUALCOYOTL - CASA HUERTA - Av. Aldolfo López Matleos No. 150	797-8131
	NETZAHUALCOYOTL - CASA HUERTA - Av. Pantitlán No.407 Col. Vicente Villada	765-3371
	NETZAHUALCOYOTL - CASA HUERTA - Plaza Neza. Local E-27, Col. Benito Juárez	731-9345
	TLALNEPANTLA - CASA MONTOYA - Av. Río Lerma No. 111	565-8942
	TOLUCA - SERVICIO Y REFA. TAUN - Ignacio López Rayón Norte No. 211-A. Col. Centro	
GUAMAJUATO	ACAMBARO - PRELAGAS DE ACAMBARO - Vicente Guerrero No. 23-C	2-1445
	CELAYA - ELECTRODOMÉSTICOS DEL BAJIO - Bejuca No. 103. Col. Los Pinos	5-5157
	IRAPUATO - MECAN HOGAR Y/O RYSE DE IRAPUATO - Av. 5 de Mayo No. 518, Col. Independencia	6-4446 y 7-6767
	LEÓN - ELECTRONICA DIGITAL - Río Lerma No. 1124. Col. Prados Verdes	11-7381
	LEÓN - SERVI HOGAR - Pino Suárez No. 314 Col. Centro	16-8006
	MOROLEÓN - REFACCIONARIA DEL HOGAR - Guadalupe Victoria No. 25 Col. Centro	
	PENJAMO - ELECTRONICA DEL CENTRO - Hidalgo No. 44-B. Zone Centro	2-0774
	SALAMANCA - REFRIGERACIÓN FONSECA - Calaya No. 107. Col. Guanajuato	7-3475
GUERRERO	ACAPULCO - TELEVICENTRO - Av. Cuauhtémoc No. 135. Col. Centro	
	ACAPULCO - TELEVICENTRO - Velázquez de León No. 52. Col. Centro	82-0349
	IGUALA - ELECTRO SURIANA - Av. Bandera Nacional No.1-A	2-1099
HIDALGO	CIUDAD SAHAGUN - SERVICIO ELIZALDE - Av. Huichapán No. 17. Col. Rojo Gómez	3-3930
	PACHUCA - REFA. Y SERVICIO DE HIDALGO - Fernando Soto No. 102-B	5-1837
JALISCO	CIUDAD GUZMAN - NUEVO RADIO SERVICIO - S.A. DE C.V. - 5 Mayo No. 26	2-3374 y 2-0484
	CIUDAD TUXPAN - SERVO ELÉCTRICA - Foa. I. Madero No. 27-A	7-2914
	GUADALAJARA - IMPLEMENTOS Y REFA. DOMÉSTICAS S.A. DE C.V. - Manuel Avila Camacho No. 1280	23-1927
	GUADALAJARA - PROESA TECNOGAS S.A. DE C.V. - Independencia No. 11	14-6825
	GUADALAJARA - REFA. ECONÓMICAS DE OCCIDENTE. S.A. DE C.V. - Garibaldi No. 1450	25-5819 y 25-3460
	GUADALAJARA - SERVICIO MAYO - Av. Colón No. 783, Sector Juárez	13-0325 y 14-9088
	LAGOS DE MORENO - TECNO-HOGAR - Hidalgo No. 614-A	2-0664
	PUERTO VALLARTA - PROESA TECOGAS DE OCCIDENTE. - Perú No. 1279 Esq. Nicaragua	2-5455 y 2-4989
	TEPATITLAN - TECNO GAS DE LOS ALTOS - Colón No.151	1-0558

GARANTÍA LIMITADA DE 2 AÑOS

Sunbeam Products, Inc. garantiza al comprador original, sujeto a limitaciones y exclusiones que se estipulan, en seguida, que este producto estará libre de defectos mecánicos y eléctricos en el material y en la mano de obra durante dos años a partir de la fecha de compra. Esta garantía no cubre el desgaste de partes o daños resultantes de cualquiera de lo siguiente: uso negligente o mala utilización del producto, uso con un voltaje o corriente no adecuado, uso contrario a las instrucciones de operación, desensamble, reparaciones o alteraciones hechas por cualquier persona que no sea de un centro de servicio autorizado..

Nuestra obligación está limitada a la reparación o al remplazo del aparato durante el periodo que cubre la garantía, por un modelo similar de igual o mejor calidad, a opción del fabricante, siempre que el producto acompañado del número de modelo y el comprobante de la fecha original de compra, sea enviado con gastos prepagados directamente a la siguiente dirección:

Para productos comprados en Estados Unidos:

SUNBEAM APPLIANCE SERVICE STATION
Attention: Service Department
117 Central Industrial Row
Purvis, MS 39475

Para productos comprados en Canadá:

SUNBEAM CANADA CORP., LTD.
Por favor llámenos o envíenos un email a
1-800-663-8623
consumeraffairs@consumer.sunbeam.com

No regrese este producto al lugar de compra o al fabricante; al hacer esto retrasará el proceso del reclamo de su garantía.

Respuestas a sus preguntas sobre esta garantía o sobre la estación de servicio autorizado más cercano se pueden obtener llamando sin costo al 1-800-597-5978 o escriba a Sunbeam – Consumer Affairs, al PO. Box 948389, Maitland, FL 32794-8389. Respuestas a preguntas sobre esta o sobre la estación de servicio autorizado canadiense mas cercano se pueden obtener llamando sin costo al 1-800-667-8623. Para información sobre la garantía o sobre la localización de un centro de servicio autorizado fuera de los Estados Unidos y Canadá, por favor revise la tarjeta garantía del servicio que se incluye en el empaque del producto.

RECHAZO DE RESPONSABILIDADES

Reparación de productos o reposiciones como se ofrecen en esta garantía es su único remedio.

SUNBEAM PRODUCTS, INC. NO SE HACE RESPONSABLE POR CUALQUIER DAÑO INCIDENTAL O CONSECUENTE QUE OCURRA POR LA VIOLACIÓN DE LOS TÉRMINOS EXPLÍCITOS O IMPLÍCITOS DE LA GARANTÍA DE ESTE PRODUCTO O DE CUALQUIER PARTE DE ESTE. A EXCEPCIÓN DEL ALCANCE PROHIBIDO POR LA LEY APLICABLE, SUNBEAM PRODUCTS, INC. RECHAZA TODA RESPONSABILIDAD DE CUALQUIER GARANTÍA IMPLÍCITA O COMERCIAL, O AJUSTES HECHOS PARA UN PROPÓSITO EN PARTICULAR SOBRE ESTE PRODUCTO O CUALQUIER PARTE DE ESTE. Algunos estados y provincias no permiten la exclusión o limitación de daños imprevistos o consecuentes, o permiten limitación en la duración de una garantía implícita, así que las limitaciones o exclusiones arriba mencionadas pueden no ser aplicables para usted. Esta garantía le da a usted derechos legales específicos, y puede también tener otros que pueden variar de estado a estado o de provincia a provincia.

Sunbeam[®]

©1999 Sunbeam Corporation o sus compañías afiliadas. Todos los derechos reservados.

SUNBEAM[®] es una marca registrada de Sunbeam Corporation o de sus compañías afiliadas.

GRILLSMART[™] es una marca comercial de Sunbeam Corporation o de sus compañías afiliadas.

Distribuido por Sunbeam Products, Inc., Boca Raton, Florida 33431, o alguna compañía afiliada.

Free Manuals Download Website

<http://myh66.com>

<http://usermanuals.us>

<http://www.somanuals.com>

<http://www.4manuals.cc>

<http://www.manual-lib.com>

<http://www.404manual.com>

<http://www.luxmanual.com>

<http://aubethermostatmanual.com>

Golf course search by state

<http://golfingnear.com>

Email search by domain

<http://emailbydomain.com>

Auto manuals search

<http://auto.somanuals.com>

TV manuals search

<http://tv.somanuals.com>