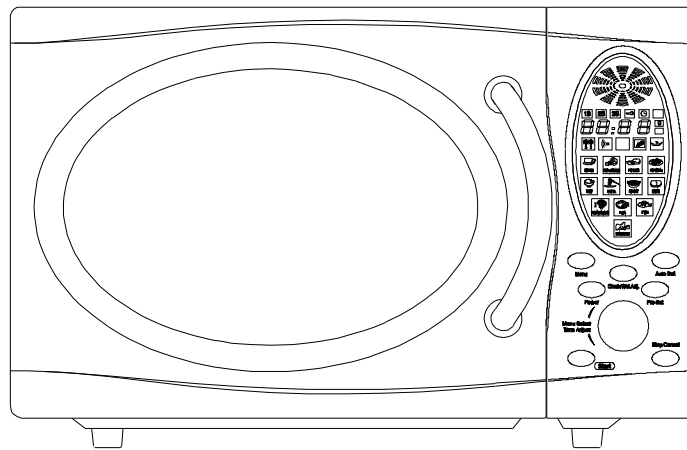




MICROWAVE OVEN

OMW991



Please read these instructions carefully before installing and operating the oven.

Record in the space below the SERIAL NO. found on the nameplate on your oven and retain this information for future reference.

SERIAL NO.

PRECAUTIONS TO AVOID POSSIBLE EXPOSURE TO EXCESSIVE MICROWAVE ENERGY

1. Do not attempt to operate this oven with the door-open since open-door operation can result in harmful exposure to microwave energy. It is important not to defeat or tamper with the safety interlocks.
2. Do not place any object between the oven front face and the door or allow soil or cleaner residue to accumulate on sealing surfaces.
3. Do not operate the oven if it is damaged. It is particularly important that the oven door close properly and that there is no damage to the:
 - a. Door (bent),
 - b. Hinges and latches (broken or loosened),
 - c. Door seals and sealing surfaces.
4. The oven should not be adjusted or repaired by anyone except properly qualified service personnel.

CONTENT

PRECAUTIONS TO AVOID POSSIBLE EXPOSURE TO EXCESSIVE MICROWAVE ENERGY	1
IMPORTANT SAFETY INSTRUCTIONS	2
INSTALLATION GUIDE.....	3
GROUNDING INSTRUCTIONS.....	3
UTENSILS GUIDE	4
COOKING TECHNIQUES.....	5
SPECIFICATIONS	6
PART NAMES	6
CONTROL PANEL	7
HOW TO SET THE OVEN CONTROLS	8
Setting the clock.....	8
Microwave cooking.....	8
Pre-set cooking	8
Auto defrost.....	8
Multistage cooking	8
Auto Cook	9
Child lock.....	9
CLEANING AND CARE	10

IMPORTANT SAFETY INSTRUCTIONS

When using electrical appliances, basic safety precautions should be followed, including the following:

WARNING - To reduce the risk of burns, electric shock, fire, injury to persons or exposure to excessive microwave energy:

1. Read all instructions before using the appliance.
2. Read and follow the specific "PRECAUTIONS TO AVOID POSSIBLE EXPOSURE TO EXCESSIVE MICROWAVE ENERGY" on page 1.
3. This appliance must be grounded. Connect only to properly grounded outlet. See "grounding instructions " on page 3.
4. Install or locate this appliance only in accordance with the provided installation instructions.
5. Some products such as whole eggs and sealed containers -for example, closed glass jars- are able to explode and should not be heated in this oven.
6. Use this appliance only for its intended use as described in this manual. Do not use corrosive chemicals or vapors in this appliance. This type of oven is specifically designed to heat, cook, or dry food. It is not designed for industrial or laboratory use.
7. As with any appliance, close supervision is necessary when used by children.
8. To reduce the risk of fire in the oven cavity:
 - a. Do not overcook food. Carefully attend appliance when paper, plastic, or other combustible materials are placed inside the oven to facilitate cooking.
 - b. Remove wire twist-ties from paper or plastic bags before placing bag in oven.
 - c. If materials inside the oven should ignite, keep oven door closed, turn oven off, and disconnect the power cord or shut off power at the fuse or circuit breaker panel.
 - d. Do not use the cavity for storage purposes. Do not leave paper products, cooking utensils or food in the cavity when not in use.
9. Liquids, such as water, coffee, or tea are able to be overheated beyond the boiling point without appearing to be boiling due to surface tension of the liquid. Visible bubbling or boiling when the container is removed from the microwave oven is not always present. **THEIS COULD RESULT IN VERY HOT LIQUIDS SUDDENLY BOILING OVER WHEN A SPOON OR OTHER UTENSIL IS INSERTED INTO THE LIQUID.** To reduce the risk of injury to person:
 - a. Do not overheat the liquid.
 - b. Stir the liquid both before and halfway through heating it.
 - c. Do not use straight-sided containers with narrow necks.
 - d. After heating, allow the container to stand in the microwave oven for a short time before removing the container.
 - e. Use extreme care when inserting a spoon or other utensil into the container.
10. Do not heat oil or fat for deep-frying. It is difficult to control the temperature of oil in microwave oven.
11. Pierce foods with heavy skins such as potatoes, whole squash, apples and chestnuts before cooking.
12. The contents of feeding bottles and baby jars should be stirred or shaken and the temperature should be checked before serving in order to avoid burns.
13. Cooking utensils may become hot because of heat transferred from the heated food. Potholders may be needed to handle the utensil.
14. Do not cover or block any openings on the appliance.
15. Do not store or use this appliance outdoors. Do not use this product near water, for example, near a kitchen sink, in a wet basement, near a swimming pool, or similar locations.
16. Do not operate this appliance if it has a damaged cord or a plug, if it is not working properly or if it has been damaged or dropped.
17. Do not immerse cord or plug in water. Keep cord away from heated surface. Do not let

SAVE THESE INSTRUCTIONS

2

- cord hang over edge of table or counter.
18. Use only thermometers, which are specifically designed for use in microwave ovens.
 19. Do not operate any heating or cooking appliance beneath this appliance.
 20. Be certain the glass tray and roller rings are in place when you operate the oven.
 21. This appliance should be serviced only by

qualified service personnel, contact nearest authorized service facility for examination, repair, or adjustment.

22. When cleaning surfaces of door and oven that comes together on closing the door, use only mild, nonabrasive soaps, or detergents applied with a sponge or soft cloth

INSTALLATION GUIDE

1. Make sure that all the packing materials are removed from the inside of the door.
2. Check the oven for any damage, such as misaligned or bent door, damaged door seals and sealing surface, broken or loose door hinges and latches and dents inside the cavity or on the door. If there is any damage, do not operate the oven but contact qualified service personnel.
3. This microwave oven must be placed on a flat, stable surface to hold its weight and the heaviest food likely to be cooked in the oven.
4. Do not place the oven where heat, moisture, or high humidity are generated, or near combustible materials.
5. For correct operation, the oven must have sufficient airflow. Allow 20cm of space above the oven, 10cm at back and 5cm at both sides. Do not cover or block any openings on the appliance. Do not remove feet on which oven stands.
6. Do not operate the oven without glass tray, roller support, and shaft in their proper positions.
7. Make sure that the power supply cord is undamaged and does not run under the oven or over any hot or sharp surface.
8. The socket must be readily accessible so that it can be easily unplugged in an emergency.

GROUNDING INSTRUCTIONS

This appliance must be grounded. In the event of an electrical short circuit, grounding reduces risk of electric shock by providing an escape wire for the electric current.

WARNING Improper use of the grounding plug can result in a risk of electric shock.

ELECTRICAL REQUIREMENTS

The electrical requirements are a 120 volt 60 Hz, AC only, 15 amp. It is recommended that a separate circuit serving only the oven be provided. The oven is equipped with a 3-prong grounding plug. It must be plugged into a wall receptacle that

SAVE THESE INSTRUCTIONS

3

is properly installed and grounded.

Power Supply Cord

1. A short power supply cord is provided to reduce the risks resulting from becoming entangled in or tripping over a longer cord.
2. Longer cord sets or extension cords are available and may be used if care is exercised in their use.
3. If long cord or extension cord is used:
 - a) The marked electrical rating of the cord set or extension cord should be at least as great as the electrical rating of the appliance.
 - b) The extension cord must be a grounding-type 3-wire cord, and The longer cord should be

arranged so that it will not drape over the counter top or table top where it can be pulled on by children or tripped over unintentionally.

Notes:

If you have any questions about the grounding or electrical instructions, consult a qualified electrician or service person.

Neither manufacturer nor the dealer can accept any liability for damage to the oven or personal injury resulting from failure to observe the electrical connection procedures.

UTENSILS GUIDE

This section lists which utensils can be used in the microwave, which ones have limited use for short periods, and which ones should not be used in the microwave.

RECOMMENDED

Microwave browning dish — Use to brown the exterior of small items such as steaks, chops, or pancakes. Follow the directions provided with your browning dish.

Microwaveable plastic wrap — Use to retain steam. Leave a small opening for some steam to escape and avoid placing it directly on the food.

Paper towels and napkins — Use for short-term heating and covering; these absorb excess moisture and prevent spattering. Do not use recycled paper towels, which may contain metal and could ignite.

Glass and glass-ceramic bowls and dishes — Use for heating or cooking.

Paper plates and cups — Use for short-term

heating at low temperatures. Do not use recycled paper, which may contain metal and could ignite.

Wax paper — Use as a cover to prevent spattering.

Thermometers — Use only those labeled "Microwave Safe" and follow all directions. Check the food in several places. Conventional thermometers may be used on microwave food once the food has been removed from the oven.

L LIMITED USE

Aluminum foil — Use narrow strips of foil to prevent overcooking of exposed areas. Using too much foil can damage your oven, so be careful. You should keep distance of 1 inch (2.54cm) between aluminum foil and cavity.

Ceramic, porcelain, and stoneware— Use these if they are labeled "Microwave Safe". If they are not labeled, test them to make sure they can be used safely.

Plastic — Use only if labeled "Microwave Safe". Other plastics can melt.

Ū Not Recommended

Glass jars and bottles — Regular glass is too thin to be used in a microwave. It can shatter and cause damage and injury.

Paper bags — These are a fire hazard, except for popcorn bags that are designed for microwave use.

Styrofoam plates and cups — These can melt and leave an unhealthy residue on food.

Plastic storage and food containers — Containers such as margarine tubs can melt in the microwave.

Metal utensils — These can damage your oven. Remove all metal before cooking.

Note:

Should you wish to check if a dish is safe for microwaving, place the empty dish in the oven and microwave on HIGH for 30 seconds. A dish which becomes very hot should not be used.

COOKING TECHNIQUES

Your microwave makes cooking easier than conventional cooking, provided you keep these considerations in mind:

STIRRING

Stir foods such as casseroles and vegetables while cooking to distribute heat evenly. Food at the outside of the dish absorbs more energy and heats more quickly, so stir from the outside to the center. The oven will turn off when you open the door to stir your food.

ARRANGEMENT

Arrange unevenly shaped foods, such as chicken pieces or chops, with the thicker, meatier parts toward the outside of the turntable where they receive more microwave energy. To prevent overcooking, place delicate areas, such as asparagus tips, toward the center of the turntable.

SHIELDING

Shield food with narrow strips of aluminum foil to prevent overcooking. Areas that need shielding include poultry wing tips, the ends of poultry legs, and corners of square baking dishes. Use only small amounts of aluminum foil. Larger amounts can damage your oven.

TURNING

Turn foods over midway through cooking to expose all parts to microwave energy. This is especially important with large foods such as roasts.

STANDING

Foods cooked in the microwave build up internal heat and continue to cook for a few minutes after heating stops. Let foods stand to complete cooking, especially foods such as cakes and whole vegetables. Roasts need this time to complete cooking in the center without overcooking the outer areas. All liquids, such as soup or hot chocolate, should be shaken or

stirred when cooking is complete. Let liquids stand a moment before serving. When heating baby food, stir well at removal and test the temperature before serving.

ADDING MOISTURE

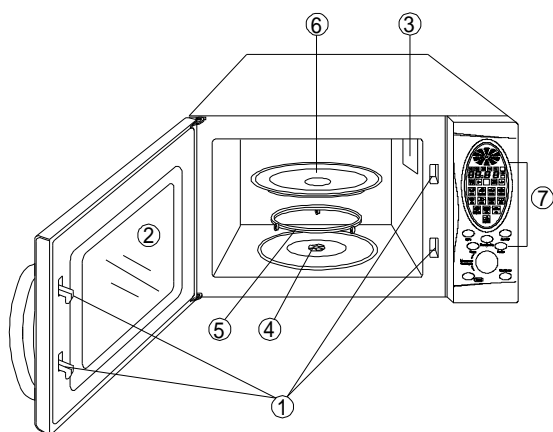
Microwave energy is attracted to water molecules. Food that is uneven in moisture content should be covered or allowed to stand so that the heat disperses evenly. Add a small amount of water to dry food to help it cook.

SPECIFICATIONS

Power Consumption:	120V~60Hz, 1350W (MICROWAVE)
Output:	900W
Operation Frequency:	2450MHz
Outside Dimensions(H×W×D):	12×20×17 1/8 in.
Oven Cavity Dimensions(H×W×D):	8 7/16×13 3/4×13 in.
Oven Capacity:	0.9cu.ft
Cooking Uniformity:	Turntable System (Φ 12 3/8")
Net Weight:	Approx. 34.4lb.

The above quoted subject to change without further notice.

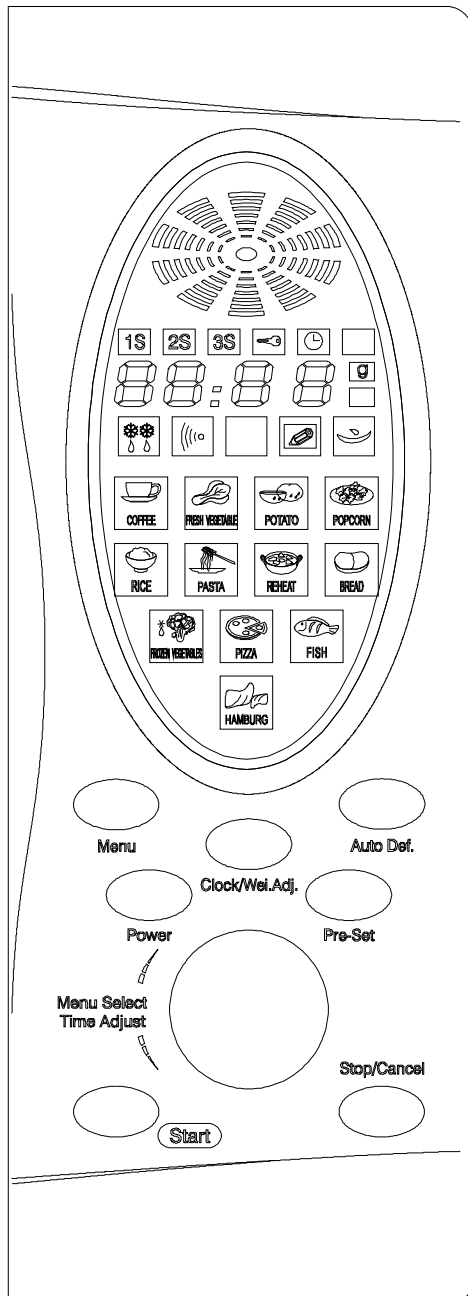
PART NAMES



1. Door Safety Lock System
2. Oven Window
3. Oven Air Vent
4. Shaft
5. Roller Ring
6. Glass Tray
7. Control Panel

DO NOT REMOVE THE CARDBOARD OVEN AIR VENT COVER THAT IS INSIDE THE MICROWAVE!

CONTROL PANEL



n MENU ACTION SCREEN

+ Cooking time, power, action indicators, and clock time are displayed.

n POWER

+ Touch this button a number of times to set microwave cooking power level.

n MENU

+ Press this button to start setting an auto cook program.

n AUTO DEFROST

+ Used to defrost food according to weight entered.

n MENU SELECT/TIME ADJUST

+ Turn the dial to set the oven clock time or input cooking time.

+ Turn the dial to select an auto-cooking menu.

n PRE-SET

+ Delay start control enables you to place food in the oven and program the oven to cook it later.

n CLOCK/WEI.ADJ.

+ Touch and hold down to start setting the oven clock and ending by touching it again.

+ Used to enter food weight.

n START

+ Touch to start a cooking program.

n STOP/CANCEL

+ Press to cancel setting or reset the oven before setting a cooking program.

+ Press once to temporarily stop cooking, or twice to cancel cooking altogether.

+ It is also used for setting child lock.

HOW TO SET THE OVEN CONTROLS

Each time a button is pressed, a beep will sound to acknowledge the press.

SETTING THE CLOCK

To set the clock time, press and hold down the CLOCK/WEI.ADJ. button for 3 second, the clock indicator can be seen flickering on the screen.

FOR EXAMPLE: Suppose you want to set the oven clock time to 8:30.

1. Press and hold down CLOCK/WEI.ADJ. for 3 seconds.
2. Turn MENU SELECT/TIME ADJUST to set 8 hour.
 1. Press CLOCK/WEI.ADJ. button.
 2. Turn MENU SELECT/TIME ADJUST to set 30 min.
 3. Press CLOCK/WEI.ADJ. to confirm the setting.

MICROWAVE COOKING

Press POWER button a number of times to select a cooking power level, then use the MENU SELECT/TIME ADJUST dial to set a desired cooking time.

Select power level by pressing the POWER button.

PRESS POWER	COOKING POWER
Once	100%
Twice	80%
3 times	60%
4 times	40%
5 times	20% (Defrost)
6 times	0%

For example, suppose you want to cook for 20 minutes at 60% of microwave power.

1. Press POWER button 3 times.
2. Turn MENU SELECT/TIME ADJUST to set the cooking time.
3. Press START button.

PRE-SET COOKING

You can put food in the oven, and program the oven to start up in a later time within the oven's clock cycle.

Suppose you want to set the oven to start-up at 11:30 o'clock, with 60% microwave power for 30 minutes.

1. Place food in the oven
2. Press POWER button 3 times.
3. Turn MENU SELECT/TIME ADJUST to set the cooking time 30:00.
4. Touch PRE-SET button.
5. Turn MENU SELECT/TIME ADJUST to set 11 hour.
6. Press PRE-SET button.
7. Turn MENU SELECT/TIME ADJUST to set 30 min.
8. Touch START button.

AUTO DEFROST

Suppose you want to defrost frozen food, do the following:

1. Press AUTO DEF. once, the display shows the first in a series of weight parameters of food to be defrosted.
2. Select weight of food to be defrosted by touching CLOCK/WEI ADJ. button.
3. Press START button.

MULTISTAGE COOKING

The system can be utilized for more than one stage cooking, one after another proceeds automatically after you have set the multistage cooking. The maximum stages that can be set are of three.

If setting multistage cooking, auto defrost can be set only in the first stage. Auto cook can not be set in this function.

The display tube will show "1s", "2s", "3s" as the cooking proceeds. In between the stages, there would be a buzzer sound that can be heard as a reminder to remind you of it.

The following steps are desired if you are going to set a cooking program involving defrost, microwave, and grill cooking.

1. Input a microwave defrost program with display screen showing "1S" light.

2. Input microwave-cooking program with display screen showing "2S" light.
3. Input a lower power microwave-cooking program with display screen showing "3S" light.
4. Touch START button.

NOTE

The respective lights will come on to indicate which stage the oven is operating in. In between each of the stages, a beep sounds to indicate the transition.

AUTO COOK

With auto cook function, you do not need to input cooking power and time. Instead you will tell the oven what you want to cook and the amount or weight of the food.

When you press the MENU button, the screen will illuminate. Then you can rotate the MENU SELECT/TIME ADJUST dial to select a food or cooking operation. The next step is to press the CLOCL/WEI. ADJ. to indicate weight of food. The oven starts after the START button is engaged. For example:

To cook 300g of fresh vegetable with auto cook:

4. Press MENU button.
5. Turn MENU SELECT/TIME ADJUST dial to select it with fresh vegetable flickering on the screen.
6. Press CLOCK/WEI. ADJ. Button a number of times to indicate weight.
7. Press START button.

Auto Cook Code/Menu

Code	Food/cooking mode	Notes
1	Coffee (about 200ml/cup)	1. The weight unit is gram. 2. Weight parameters are used to determine the time needed to do the job. As you rotate the MENU SELECT/TIME ADJUST dial, a number of pre-set weight parameters display themselves one by one, when it comes up of the right figure which matches the weight of the food you have placed into the oven, push the START button. *3. The time offered is only the reference cooking time. If discovered this time does not suit your popcorn, Please set another appropriate cooking time defer to packing. 4. Please note: The result of Auto Cook depends on a number of factors such as the shape of food, and personal taste as to the doneness of food, the voltage, etc
2	Fresh Vegetable	
3	Potato	
4	Popcorn *	
5	Rice	
6	Pasta	
7	Reheat	
8	Bread	
9	Frozen Vegetable (-10°C)	
10	Pizza	
11	Fish	
12	Hamburg	

CHILD LOCK

Use to prevent unsupervised operation of the oven by little children. The CHILD LOCK indicator will show up on display screen, and the oven can not be operated while the CHILD LOCK is set.

To set the CHILD LOCK: Press and hold the

STOP/CANCEL button for 3 seconds, a beep sounds and LOCK indicator lights.

To cancel the CHILD LOCK: Press and hold the STOP/CANCEL button for 3 seconds until lock indicator on display goes off.

CLEANING AND CARE

1. Turn off the oven and remove the power plug from the wall socket before cleaning.
2. Keep the inside of the oven clean. When food splatters or spilled liquids adhere to oven walls, wipe with a damp cloth. Mild detergent may be used if the oven gets very dirty. Avoid the use of spray and other harsh cleaners as they may stain, streak or dull the door surface.
3. The outside surfaces should be cleaned with a damp cloth. To prevent damage to the operating parts inside the oven, water should not be allowed to seep into the ventilation openings.
4. Wipe the door and window on both sides, the door seals and adjacent parts frequently with a damp cloth to remove any spills or splatters. Do not use abrasive cleaner.
5. Do not allow the control panel to become wet. Clean with a soft, damp cloth. When cleaning the control panel, leave oven door open to prevent oven from accidentally turning on.
6. If steam accumulates inside or around the outside of the oven door, wipe with a soft cloth. This may occur when the microwave oven is operated under high humidity conditions. In such case, it is normal.
7. It is occasionally necessary to remove the glass tray for cleaning. Wash the tray in warm sudsy water or in a dishwasher.
8. The roller ring and oven floor should be cleaned regularly to avoid excessive noise. Simply wipe the bottom surface of the oven with mild detergent. The roller ring may be washed in mild sudsy water or dishwasher. When removing the roller ring from cavity floor for cleaning, be sure to replace in the proper position.
9. Remove odors from your oven by combining a cup of water with the juice and skin of one lemon in a deep microwaveable bowl, microwave for 5 minutes. Wipe thoroughly and dry with a soft cloth.
10. When it becomes necessary to replace the oven light, please consult a dealer to have it replaced.
11. The oven should be cleaned regularly and any food deposits removed. Failure to maintain the oven in a clean condition could lead to deterioration of the surface that could adversely affect the life of the appliance and possibly result in a hazardous situation.
12. Please do not dispose this appliance into the domestic rubbish bin, it should be disposed to the particular disposal center provided by the municipalities.

Free Manuals Download Website

<http://myh66.com>

<http://usermanuals.us>

<http://www.somanuals.com>

<http://www.4manuals.cc>

<http://www.manual-lib.com>

<http://www.404manual.com>

<http://www.luxmanual.com>

<http://aubethermostatmanual.com>

Golf course search by state

<http://golfingnear.com>

Email search by domain

<http://emailbydomain.com>

Auto manuals search

<http://auto.somanuals.com>

TV manuals search

<http://tv.somanuals.com>