



For product questions contact:  
Jarden Consumer Service

USA: 1.800.334.0759

www.oster.com

©2008 Sunbeam Products, Inc. doing business as Jarden Consumer Solutions.  
All rights reserved. Distributed by Sunbeam Products, Inc. doing business as  
Jarden Consumer Solutions, Boca Raton, Florida 33431.

SPR-063008

Para preguntas sobre los productos llame:  
Jarden Consumer Service

EE.UU.: 1.800.334.0759

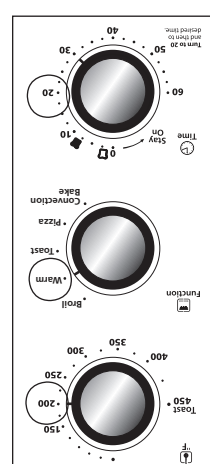
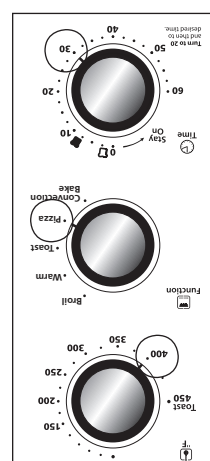
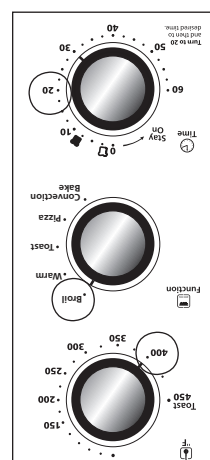
www.oster.com

©2008 Sunbeam Products, Inc. operando bajo el nombre de  
Jarden Consumer Solutions. Todos los derechos reservados.  
Distribuido por Sunbeam Products, Inc. operando bajo el nombre de  
Jarden Consumer Solutions, Boca Raton, Florida 33431.

Printed in China

Impreso en China

English-4



**To Use the Warm Function**  
Step 1. Place baking pan with food inside on wire rack.  
Step 2. Close glass door completely.  
Step 3. Turn the Function dial to Warm.  
Step 4. Turn the Temperature dial to 200°F.  
Step 5. Turn the Timer to desired warning time.\*  
Step 6. When Warning is complete, open door completely and remove food.\*\*

**To Use the Pizza Function**  
Step 1. Place baking pan with food inside on wire rack.  
Step 2. Close glass door completely.  
Step 3. Turn the Function dial to Pizza.  
Step 4. Turn the Temperature dial to 400°F.  
Step 5. Turn the Timer to desired cook time.\*  
Step 6. When cooking is complete, open door completely and remove food.\*\*

**To Use the Broil Function**  
Adjustable Broil allows the oven to broil at any temperature. Great for melting cheese at 150°F or cooking fish at 400°F. Adjust as needed.  
Step 1. Place food on broil rack or on baking pan if needed. 3-inch opening at the top of the Countertop Oven.  
Step 3. Turn the Function dial to Broil.  
Step 4. Turn the Temperature dial to desired temperature.  
Step 5. Turn the Timer to desired cook time.\*  
Step 6. When Broiling is complete, open door completely and remove food.\*\*

**\*\*WARNING: Cooked food and metal rack can be very hot, handle with care. Do not leave Countertop Oven unattended.**

*\*Special note: If cook time is less than 20 minutes you must turn Timer past the 20 minute mark to engage the timer then back to desired time.*

## Limpieza del Horno de Mesa

- Paso 1. Gire todas las perillas a la posición de apagado, desconecte la unidad y déjala enfriar.
- Paso 2. Limpie la unidad con un paño húmedo. \*NO LO SUMERJA EN AGUA Asegúrese de usar sólo agua con jabón suave. Los limpiadores abrasivos, cepillos para fregar y limpiadores químicos dañan el revestimiento de limpieza continua de esta unidad.
- Paso 3. Retire la bandeja para migas del horno de mesa.
- Paso 4. Sacuda la bandeja para quitar las migas. La limpieza regular de la bandeja para migas evitará las acumulaciones.
- Paso 5. Retire la rejilla de alambre y limpie con un paño húmedo o coloque la rejilla superior en el lavavajillas.

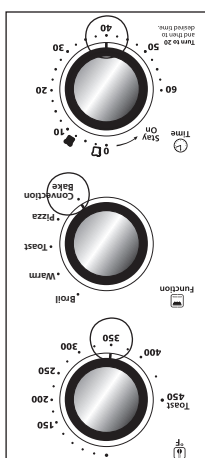
## Para Guardar el Horno de Mesa

Deje que el electrodoméstico se enfríe por completo antes de guardarlo. Si guarda el horno de mesa por períodos largos asegúrese de que esté limpio y libre de partículas de comida. Guarde el horno de mesa en un lugar seco como por ejemplo en una mesa o mostrador o armario. Enrolle el cable eléctrico en los apliques para guardar el cable. Además de la limpieza recomendada no es necesario ningún otro tipo de mantenimiento.

CONSEJOS ÚTILES/DIAGNÓSTICO DE PROBLEMAS		
PROBLEMA	POSIBLES CAUSAS	SOLUCIÓN
• Alimentos crudos/ pasados de cocción	• Temperatura o programación del tiempo incorrectas  • Ubicación de la rejilla	• Tal vez tenga que ajustar el tiempo y la temperatura a gusto. • Debido a que su horno de mesa es más pequeño que su horno común, se calentará más rápido y generalmente cocinará en períodos más cortos. • Vea la sección "Colocación de la rejilla", en la página español-5. La rejilla puede necesitar ajustes para contener los tipos de alimentos.
• Olor a quemado al encender el horno	• Alimentos atascados dentro del horno, en los elementos calentadores o en la bandeja para migas.	• Vea la sección "Limpieza del horno de mesa", página español-6.
• El horno no se enciende	• La unidad está desenchufada  • Reloj programador	• Enchufe el horno de mesa en un tomacorriente de 120 voltios CA. • Ajuste la perilla del reloj programador y de la temperatura a la posición deseada. Ambas deben estar encendidas para que el horno de mesa funcione.
• Solo un elemento calentador está calentando	• La selección de la función determina qué elemento calentador funciona.	• Revise si se seleccionó la opción Asar
• Los elementos calentadores no se mantienen encendidos	• Los elementos calentadores cambiarán de encendido (ON) y apagado (OFF) para mantener la temperatura apropiada.	• Confirme que la selección de la función sea la correcta

Español-6

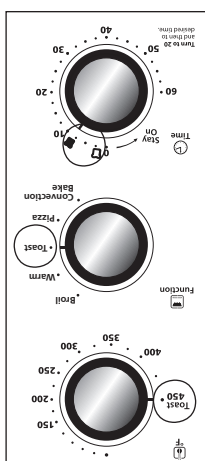
English-3



Step 6. When baking is complete, open door completely and remove food.\*\*  
Step 5. Turn the Timer to desired cook time.\*  
Step 4. Turn the Temperature dial to desired setting.  
Step 3. Turn the Function dial to Convection Bake.  
Step 2. Close glass door completely.  
Step 1. Place baking pan with food inside on wire rack in place.

**To Use the Convection Bake Function**  
The Convection Heat function turns on a built in fan that circulates hot air in the oven chamber to better heat food. Preheat oven 5 minutes at desired temperature with oven rack in place.

**To Use the Toast Function**  
Step 1. Place food on Wire Rack.  
Step 2. Close glass door completely.  
Step 3. Turn the Function dial to Toast.  
Step 4. Turn the Temperature dial to 450°F  
Step 5. Turn the Timer past 20 minute mark to engage timer, then back to desired toast time anywhere between the Toast symbols.  
Step 6. When roasting is complete, open door completely and remove food.\*\*



**To Use the Pizza Function**  
Step 1. Place food on Wire Rack.  
Step 2. Close glass door completely.  
Step 3. Turn the Function dial to Pizza.  
Step 4. Turn the Temperature dial to 400°F.  
Step 5. Turn the Timer to desired cook time.\*  
Step 6. When cooking is complete, open door completely and remove food.\*\*

**Preparing To Use Your Countertop Oven for the First Time**  
If you are using your Countertop oven for the first time, please be sure to:  
• Remove any stickers from the surface of the oven.  
• Open oven door and remove all printed documents and paper from inside the Countertop Oven.  
• Clean the rack, and pan with hot water, a small amount of dishwashing liquid and a non-abrasive cleaning pad.  
• DO NOT IMMERS THE BODY OF THE UNIT IN WATER.  
• Dry the unit thoroughly before using.

**WARNING: When Countertop Oven is in use or cooling down, please be sure there is a 6-inch clearance between the Countertop Oven and any other surface including cords. Be sure the cord is not resting against the back of the Countertop Oven.**

## Garantía Limitada por un Año

Sunbeam Products, Inc. operando bajo el nombre de Jarden Consumer Solutions, o en Canadá, Sunbeam Corporation (Canada) Limited operando bajo el nombre de Jarden Consumer Solutions, (en forma conjunta, "JCS"), garantiza que por un período de un año a partir de la fecha de compra, este producto estará libre de defectos de materiales y mano de obra. JCS, a su elección, reparará o reemplazará este producto o cualquier componente del mismo que presente defectos durante el período de garantía. El reemplazo se realizará por un producto o componente nuevo o reparado. Si el producto ya no estuviere disponible, se lo reemplazará por un producto similar de valor igual o superior. Esta es su garantía exclusiva. No intente reparar o ajustar ninguna función eléctrica o mecánica de este producto. Al hacerlo eliminará esta garantía.

La garantía es válida para el comprador minorista original a partir de la fecha de compra inicial y la misma no es transferible. Conserve el recibo de compra original. Para solicitar servicio en garantía se requiere presentar un recibo de compra. Los agentes y centros de servicio de JCS o las tiendas minoristas que venden productos de JCS no tienen derecho a alterar, modificar ni cambiar de ningún otro modo los términos y las condiciones de esta garantía.

Esta garantía no cubre el desgaste normal de las piezas ni los daños que se produzcan como resultado de uso negligente o mal uso del producto, uso de voltaje incorrecto o corriente inapropiada, uso contrario a las instrucciones operativas, y desarme, reparación o alteración por parte de un tercero ajeno a JCS o a un Centro de Servicio autorizado por JCS. Asimismo, la garantía no cubre actos fortuitos tales como incendios, inundaciones, huracanes y tornados.

## ¿Cuál es el límite de responsabilidad de JCS?

JCS no será responsable de daños incidentales o emergentes causados por el incumplimiento de alguna garantía o condición expresa, implícita o legal.

Excepto en la medida en que lo prohíba la ley aplicable, cualquier garantía o condición implícita de comerciabilidad o aptitud para un fin determinado se limita, en cuanto a su duración, al plazo de la garantía antes mencionada.

JCS queda exenta de toda otra garantías, condiciones o manifestaciones, expresa, implícita, legal o de cualquier otra naturaleza.

JCS no será responsable de ningún tipo de daño que resulte de la compra, uso o mal uso del producto, o por la imposibilidad de usar el producto, incluidos los daños incidentales, especiales, emergentes o similares, o la pérdida de ganancias, ni de ningún incumplimiento contractual, sea de una obligación esencial o de otra naturaleza, ni de ningún reclamo iniciado contra el comprador por un tercero.

Algunas provincias, estados o jurisdicciones no permiten la exclusión o limitación de los daños incidentales o emergentes ni las limitaciones a la duración de las garantías implícitas, de modo que es posible que la exclusión o las limitaciones antes mencionadas no se apliquen en su caso.

Esta garantía le otorga derechos legales específicos y es posible que usted tenga otros derechos que varían de un estado, provincia o jurisdicción a otro.

## Cómo solicitar el servicio en garantía

### En los Estados Unidos

Si tiene alguna pregunta sobre esta garantía o desea recibir servicio de garantía, llame al 1-800-334-0759 y podrá obtener la dirección del centro de servicio que le resulte más conveniente.

### En Canadá

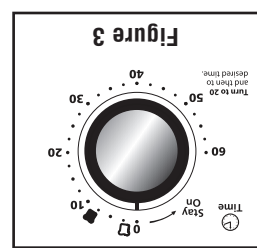
Si tiene alguna pregunta sobre esta garantía o desea recibir servicio de garantía, llame al 1-800-667-8623 y podrá obtener la dirección del centro de servicio que le resulte más conveniente.

En los Estados Unidos, esta garantía es ofrecida por Sunbeam Products, Inc. operando bajo el nombre de Jarden Consumer Solutions, Boca Raton, Florida 33431. En Canadá, esta garantía es ofrecida por Sunbeam Corporation (Canada) Limited operando bajo el nombre de Jarden Consumer Solutions, 20 B Hereford Street, Brampton, Ontario L6Y 0M1. Si usted tiene otro problema o reclamo en conexión con este producto, por favor escriba al Departamento de Servicio al Consumidor.

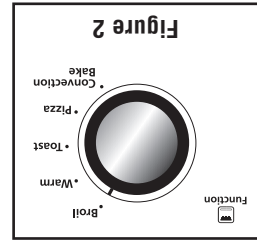
## POR FAVOR NO DEVUELVA ESTE PRODUCTO A NINGUNA DE ESTAS DIRECCIONES NI AL LUGAR DE COMPRA.

Español-7

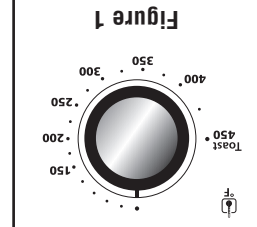
English-2



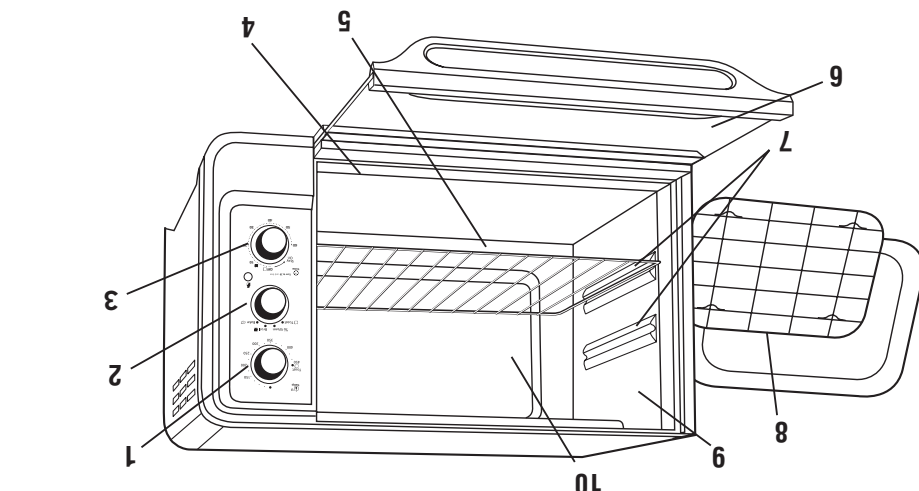
- 1. Temperature Control Knob** – Adjust the dial thermostat to the desired temperature. (See Figure 1)
- 2. Function Selector Knob** – Select cooking function by turning knob to desired setting. (See Figure 2)
- 3. Timer Control Knob with Bell Signal** – Set cooking time up to 60 minutes. Will automatically turn the oven OFF at the end of the cooking time. (See Figure 3)
- 4. Removable Crumb Tray** – For crumb or fallen food particles collection. Pulls out for easy cleaning.
- 5. Removable Wire Rack** – See "Positioning Rack" section.
- 6. Tempered Glass Door** – For front viewing of food.
- 7. Two Rack Positions** broiling and grilling needs.
- 8. Baking Pan & Broil Rack** – Use for all your baking.
- 9. Easy Clean Interior Walls** – Allows fast clean up.
- 10. Pizza Fit Capacity** – Fits most large frozen pizzas.



**Learn About Your Countertop Oven**  
When using electrical appliances, basic safety precautions should always be followed including the following:  
• READ ALL INSTRUCTIONS, PRODUCT LABELS AND WARNINGS BEFORE USING THE COUNTERTOP OVEN.  
• Do not touch hot surfaces. Always use oven mitts when handling hot materials and allow metal parts to cool before cleaning. Allow the unit to cool thoroughly before putting in or taking off parts. Always use the oven handles when moving the unit.  
• When the oven is not in use and before cleaning, unplug the unit.  
• Note: Make sure the oven is turned off before unplugging.  
• To protect against risk of electrical shock, do not immerse the appliance in water or any other liquids. This appliance is not for use by children.  
• Do not operate this or any appliance with a frayed or damaged cord or plug or after the appliance malfunctions or is dropped or has been damaged in any manner. Return the countertop oven to the nearest Sunbeam Appliance Service Center for examination, repair or electrical/mechanical adjustments.  
• Do not tamper with or reassemble parts not recommended by the manufacturer; they may cause fire, electric shock or personal injury.  
• Do not use outdoors or for commercial purposes.



• To turn this appliance off, return all controls to the "OFF" position.  
• When broiling, use extreme caution when removing pan or disposing of hot grease.  
• Do not attempt to clean the exterior of the unit.  
• Do not place the appliance near a hot gas or electric burner or in a heated oven.  
• Do not let the cord dangle over the tabletop or countertop or touch hot surfaces.  
• Do not use this appliance for other than its intended use.  
• Do not place the cord dangle over the tabletop or countertop or touch hot surfaces.  
• Extreme caution should be used when using containers constructed of material other than metal or glass.  
• A fire may occur if the countertop oven is covered or touching flammable materials, including curtains, drapes, etc., when in operation. Do not store any items on top of the appliance when in operation.  
• When using countertop oven, pull the unit out a minimum of 6 inches away from the wall or other cords.  
• Do not store any materials, other than manufacturer's recommended accessories, in this unit when in use.  
• Do not place any flammable materials in oven, such as paper, cardboard, plastic or any materials that may catch fire or melt.  
• Overcook the oven tray with metal foil. This will cause overheating of the appliance.  
• Do not clean metal scoring pads. Pieces can break off the pad and touch electrical parts or risk of electrical shock.  
• Do not clean warning pads. Pieces can break off the pad and touch electrical parts involving a risk of electrical shock.



User Manual

Countertop Oven

Manual de Instrucciones

Horno Versátil Para Mostrador

MODEL/  
MODELO **6081/6085**



www.oster.com

P.N. 129132

English-1

## SAVE THESE INSTRUCTIONS

A short power-supply cord is provided to reduce the risk resulting from becoming entangled in or tripping over a long cord. An extension cord may be used if care is exercised in its use. If an extension cord is used, the electrical rating of the cord must be at least as great as the electrical rating of the appliance. The extension cord should be arranged so that it will not drape over the countertop or tabletop where it can be pulled on by children or tripped over unintentionally.

**For Products Purchased in the United States and Canada Only**  
To reduce the risk of electrical shock, this appliance has a polarized plug (one blade is wider than the other). This plug fits a polarized outlet only one way: if the plug does not fit fully into the outlet, reverse the plug. If it still does not fit, contact a qualified electrician. Do not attempt to defeat this safety feature.

## THIS UNIT IS FOR HOUSEHOLD USE ONLY

- To turn this appliance off, return all controls to the "OFF" position.
- When broiling, use extreme caution when removing pan or disposing of hot grease.
- Do not attempt to clean the exterior of the unit.
- Do not place any flammable materials in oven, such as paper, cardboard, plastic or any materials that may catch fire or melt.
- Overcook the oven tray with metal foil. This will cause overheating of the appliance.
- Do not clean metal scoring pads. Pieces can break off the pad and touch electrical parts or risk of electrical shock.
- Do not clean warning pads. Pieces can break off the pad and touch electrical parts involving a risk of electrical shock.
- To turn this appliance off, return all controls to the "OFF" position.
- When broiling, use extreme caution when removing pan or disposing of hot grease.
- Do not attempt to clean the exterior of the unit.
- Do not place the appliance near a hot gas or electric burner or in a heated oven.
- Do not let the cord dangle over the tabletop or countertop or touch hot surfaces.
- Do not use this appliance for other than its intended use.
- Do not place the cord dangle over the tabletop or countertop or touch hot surfaces.
- Extreme caution should be used when using containers constructed of material other than metal or glass.
- A fire may occur if the countertop oven is covered or touching flammable materials, including curtains, drapes, etc., when in operation. Do not store any items on top of the appliance when in operation.
- When using countertop oven, pull the unit out a minimum of 6 inches away from the wall or other cords.
- Do not store any materials, other than manufacturer's recommended accessories, in this unit when in use.
- Do not place any flammable materials in oven, such as paper, cardboard, plastic or any materials that may catch fire or melt.
- Overcook the oven tray with metal foil. This will cause overheating of the appliance.
- Do not clean metal scoring pads. Pieces can break off the pad and touch electrical parts or risk of electrical shock.
- Do not clean warning pads. Pieces can break off the pad and touch electrical parts involving a risk of electrical shock.
- To turn this appliance off, return all controls to the "OFF" position.
- When broiling, use extreme caution when removing pan or disposing of hot grease.

**IMPORTANT SAFEGUARDS**  
SAVE AND READ THESE INSTRUCTIONS  
When using electrical appliances, basic safety precautions should always be followed including the following:  
• READ ALL INSTRUCTIONS, PRODUCT LABELS AND WARNINGS BEFORE USING THE COUNTERTOP OVEN.  
• Do not touch hot surfaces. Always use oven mitts when handling hot materials and allow metal parts to cool before cleaning. Allow the unit to cool thoroughly before putting in or taking off parts. Always use the oven handles when moving the unit.  
• When the oven is not in use and before cleaning, unplug the unit.  
• Note: Make sure the oven is turned off before unplugging.  
• To protect against risk of electrical shock, do not immerse the appliance in water or any other liquids. This appliance is not for use by children.  
• Do not operate this or any appliance with a frayed or damaged cord or plug or after the appliance malfunctions or is dropped or has been damaged in any manner. Return the countertop oven to the nearest Sunbeam Appliance Service Center for examination, repair or electrical/mechanical adjustments.  
• Do not tamper with or reassemble parts not recommended by the manufacturer; they may cause fire, electric shock or personal injury.  
• Do not use outdoors or for commercial purposes.

Learn About Your Countertop Oven  
When using electrical appliances, basic safety precautions should always be followed including the following:  
• READ ALL INSTRUCTIONS, PRODUCT LABELS AND WARNINGS BEFORE USING THE COUNTERTOP OVEN.  
• Do not touch hot surfaces. Always use oven mitts when handling hot materials and allow metal parts to cool before cleaning. Allow the unit to cool thoroughly before putting in or taking off parts. Always use the oven handles when moving the unit.  
• When the oven is not in use and before cleaning, unplug the unit.  
• Note: Make sure the oven is turned off before unplugging.  
• To protect against risk of electrical shock, do not immerse the appliance in water or any other liquids. This appliance is not for use by children.  
• Do not operate this or any appliance with a frayed or damaged cord or plug or after the appliance malfunctions or is dropped or has been damaged in any manner. Return the countertop oven to the nearest Sunbeam Appliance Service Center for examination, repair or electrical/mechanical adjustments.  
• Do not tamper with or reassemble parts not recommended by the manufacturer; they may cause fire, electric shock or personal injury.  
• Do not use outdoors or for commercial purposes.

## Positioning Rack

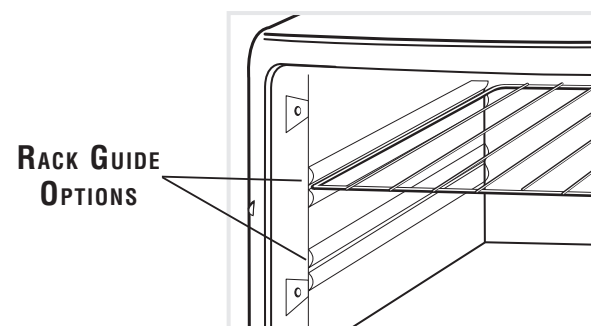
- To accommodate a wide variety of foods the oven has two rack positions. The rack can be inserted in the oven in the upper or lower rack guides. The rack will fit into either of the rack guides inside of the Countertop Oven. (See Figure Below)
- Before removing the rack allow the unit to cool.

- To remove the rack, open the oven door and pull the rack towards the front of the oven. The rack will slide on the rack guides on the inside of the oven.

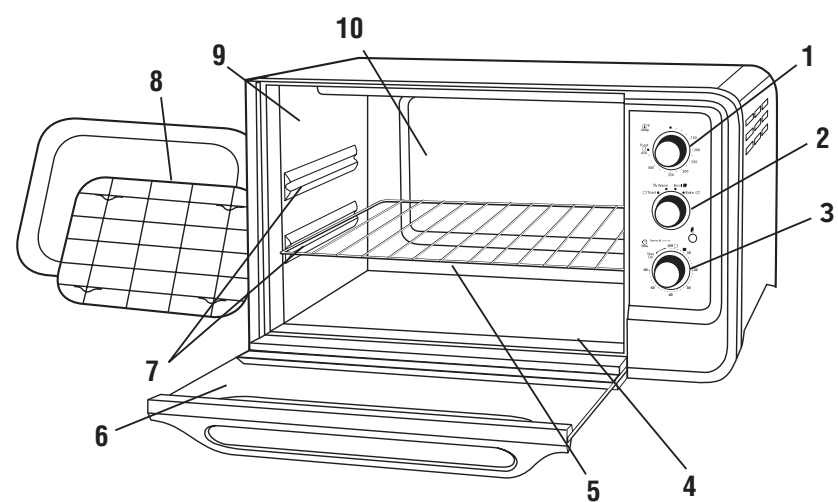
**PLEASE NOTE: The oven rack may tilt downward causing food to shift when the rack is pulled out, proceed with caution.**

- Positioning of the oven rack will depend on the size of the food and desired browning. Adjust rack downward to prevent top browning and upward to prevent bottom burning.

For best toasting results, position the rack in the upper rack guide.

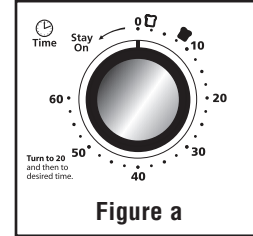
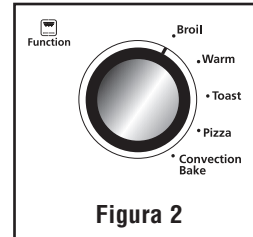
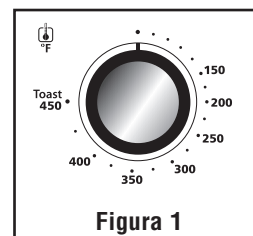


English-5



## Información sobre su horno de mesa

- Perilla De Control De La Temperatura** – Ajuste el dial del termostato a la temperatura deseada. (Vea la figura 1)
- Perilla De Selección De Función** – Seleccione la función de cocción girando la perilla hasta la configuración deseada. (Vea la figura 2)
- Perilla De Control De Reloj Programador Con Alarma** – Ajuste el tiempo de cocción hasta 60 minutos. El horno se apaga automáticamente al finalizar el tiempo de cocción. (Vea la figura 3)
- Bandeja Para Migas Extraíble** – Para la recolección de migas o partículas de comida caídas. Se extrae para una limpieza fácil.
- Rejilla De Alambre Extraíble** – Vea la sección “Colocación de la rejilla.”
- Puerta De Vidrio Templado** – Para una vista frontal de la comida.
- Dos Posiciones De La Rejilla**
- Bandeja Para Horneado/ Rejilla para asar** – Se usa para hornear, asar y asar al grill.
- Paredes Interiores Fáciles De Limpiar** – Permiten una rápida limpieza.
- Capacidad Suficiente Para Pizza** – Espacio para la mayoría de las pizzas grandes congeladas.



Español-2

## Cleaning Your Countertop Oven

Step 1. Turn all knobs to off position then unplug unit and let it cool.

Step 2. Wipe unit down with damp cloth. **DO NOT IMMERSÉ EN WATER.** Make sure to only use mild, soapy water. Abrasive cleaners, scrubbing brushes and chemical cleaners will damage the coating on this unit.

Step 3. Remove crumb tray by pulling out of Countertop Oven.

Step 4. Shake off crumbs from crumb tray. Cleaning the crumb tray often will avoid any accumulations.

Step 5. Remove wire rack and clean with damp cloth or place in top rack of dishwasher.

## Storing Your Countertop Oven

Allow the appliance to cool completely before storing. If storing the Countertop Oven for long periods of time make certain that the Countertop Oven is clean and free of food particles. Store the Countertop Oven in a dry location such as on a table or countertop or cupboard shelf. Wind the electrical cord around the cord storage brackets. Other than the recommended cleaning, no further user maintenance should be necessary.

HELPFUL TIPS / TROUBLESHOOTING		
PROBLEM	POTENTIAL CAUSE	SOLUTION
• Overcooked / Undercooked Foods	• Incorrect temperature or time setting  • Rack placement	• You may have to adjust the time and temperature to desired taste. • Because your Countertop Oven is smaller than your regular oven, it will heat up faster and generally cook in shorter periods of time. • Refer to “Positioning Rack” Section, Page English-5. Rack may need to be adjusted to accommodate food type.
• Burnt Smell initial burnoff	• Food build-up inside oven, on heating elements or in crumb tray.	• Refer to “Cleaning Your Countertop Oven” Section, Page English-6.
• Oven does not turn ON	• Unit is unplugged  • Turn Timer	• Plug the Countertop Oven into a 120-volt AC electrical outlet. • Set timer knob and temperature knob to desired setting. Both must be turned on to operate the Countertop Oven.
• Only one heating element is heating up	• Function setting selection determines which heating element will operate.	• Check to see if the Broil setting is selected.
• Heating elements do not stay ON	• Heating elements will cycle ON and OFF to maintain proper heat.	• Confirm function setting is the correct one of choice.

English-6

## Preparación para Usar Su Horno de Mesa por Primera Vez

Si está usando su horno de mesa por primera vez asegúrese de:

- Retirar todos los adhesivos de la superficie del horno.
  - Abrir la puerta del horno y retirar todos los documentos impresos y los papeles de la parte interior del horno para mostrarlo.
  - Limpia la rejilla y la bandeja con agua caliente, una pequeña cantidad de líquido lavavajillas y una esponja no abrasiva.
  - NO SUMERJIR EL CUERPO DE LA UNIDAD EN AGUA.**
  - Seque la unidad por completo antes de usarla.
  - Seleccione una ubicación para el horno de mesa. Deberá ubicarse en un área abierta sobre una mesa en la que el enchufe llegue hasta el tomacorriente.
  - Enchufe el horno de mesa en un tomacorriente de 120 voltios CA.
- ADVERTENCIA:** Cuando el horno esté en uso o se esté enfriando, asegúrese de que haya un espacio de 6 pulg. entre el horno y cualquier otra superficie incluyendo los cables. Asegúrese de que el cable no esté apoyado contra la parte trasera del horno de mesa.

## Uso de la Función de Tostado

- Coloque los alimentos sobre la rejilla de alambre.
- Cierre completamente la puerta de vidrio.
- Gire la perilla de función a la posición “Toast” (tostar).
- Gire la perilla de la temperatura a 450° F.
- Gire el reloj programador más allá de la marca de 20 minutos para activarlo, luego de regreso al tiempo de tostado deseado en cualquier parte entre los símbolos de tostado.
- Cuando termine de tostar, abra por completo la puerta del horno y retire los alimentos.\*

## Para usar la función de horneado por convección

La función de hornear por convección enciende un ventilador incorporado que hace circular aire caliente en la cámara del horno para calentar mejor la comida.

Precaliente el horno de 5 minutos a la temperatura deseada con la rejilla del horno en su lugar.

- Coloque una bandeja para horneado con alimento en la rejilla de alambre.
- Cierre completamente la puerta de vidrio.
- Gire el dial de funciones a Convection Bake (horneado por convección).
- Gire la perilla de la temperatura hasta la posición deseada.
- Gire la perilla del reloj programador hasta el tiempo de cocción deseado.\*
- Cuando termine de hornear, abra por completo la puerta del horno y retire los alimentos.\*

Español-3

## 1-Year Limited Warranty

Sunbeam Products, Inc. doing business as Jarden Consumer Solutions or if in Canada, Sunbeam Corporation (Canada) Limited doing business as Jarden Consumer Solutions (collectively “JCS”) warrants that for a period of one year from the date of purchase, this product will be free from defects in material and workmanship. JCS, at its option, will repair or replace this product or any component of the product found to be defective during the warranty period. Replacement will be made with a new or remanufactured product or component. If the product is no longer available, replacement may be made with a similar product of equal or greater value. This is your exclusive warranty. Do NOT attempt to repair or adjust any electrical or mechanical functions on this product. Doing so will void this warranty. This warranty is valid for the original retail purchaser from the date of initial retail purchase and is not transferable. Keep the original sales receipt. Proof of purchase is required to obtain warranty performance. JCS dealers, service centers, or retail stores selling JCS products do not have the right to alter, modify or any way change the terms and conditions of this warranty.

This warranty does not cover normal wear of parts or damage resulting from any of the following: negligent use or misuse of the product, use of improper voltage or current, use contrary to the operating instructions, disassembly, repair or alteration by anyone other than JCS or an authorized JCS service center. Further, the warranty does not cover: Acts of God, such as fire, flood, hurricanes and tornadoes.

### What are the limits on JCS's Liability?

JCS shall not be liable for any incidental or consequential damages caused by the breach of any express, implied or statutory warranty or condition.

Except to the extent prohibited by applicable law, any implied warranty or condition of merchantability or fitness for a particular purpose is limited in duration to the duration of the above warranty.

JCS disclaims all other warranties, conditions or representations, express, implied, statutory or otherwise.

JCS shall not be liable for any damages of any kind resulting from the purchase, use or misuse of, or inability to use the product including incidental, special, consequential or similar damages or loss of profits, or for any breach of contract, fundamental or otherwise, or for any claim brought against purchaser by any other party.

Some provinces, states or jurisdictions do not allow the exclusion or limitation of incidental or consequential damages or limitations on how long an implied warranty lasts, so the above limitations or exclusion may not apply to you.

This warranty gives you specific legal rights, and you may also have other rights that vary from province to province, state to state or jurisdiction to jurisdiction.

### How to Obtain Warranty Service

#### In the U.S.A.

If you have any question regarding this warranty or would like to obtain warranty service, please call 1-800-334-0759 and a convenient service center address will be provided to you.

#### In Canada

If you have any question regarding this warranty or would like to obtain warranty service, please call 1-800-667-8623 and a convenient service center address will be provided to you.

In the U.S.A., this warranty is offered by Sunbeam Products, Inc. doing business as Jarden Consumer Solutions located in Boca Raton, Florida 33431. In Canada, this warranty is offered by Sunbeam Corporation (Canada) Limited doing business as Jarden Consumer Solutions, located at 20 B Hereford Street, Brampton, Ontario L6Y 0M1. If you have any other problem or claim in connection with this product, please write our Consumer Service Department.

**PLEASE DO NOT RETURN THIS PRODUCT TO ANY OF THESE ADDRESSES OR TO THE PLACE OF PURCHASE.**

English-7

## Uso de la Función de Calentar

- Coloque una bandeja para horneado con alimento en la rejilla de alambre.
- Cierre completamente la puerta de vidrio.
- Gire la perilla de función a la posición “Warm” (calentar).
- Gire el control de temperatura a 200° F.
- Gire la perilla del reloj programador hasta el tiempo de calentamiento deseado.\*
- Cuando termine de calentar, abra por completo la puerta del horno y retire los alimentos.\*

## Uso de la Función de Pizza

- Coloque una bandeja para horneado con alimento en la rejilla de alambre.
- Cierre completamente la puerta de vidrio.
- Gire la perilla de función a la posición “Pizza” (calentar).
- Gire el control de temperatura a 400° F.
- Gire the Timer to desired cook time.\*
- Cuando la cocción esté completa, abra la puerta completamente y retire la comida.\*

## Uso de la Función de Asar

La función ajustable de asar permite al horno asar a cualquier temperatura. Fábulo para derretir queso a 150° F o cocinar pescado a 400° F. Ajuste según sea necesario

- Coloque la comida en la rejilla para asar o en una bandeja de hornear si es necesario.
- Cierre la puerta de vidrio dejando una abertura de aproximadamente 3 pulg. en la parte superior del horno.
- Gire la perilla de función a la posición “Broil” (asar).
- Gire la perilla de control de la temperatura hasta la posición de la temperatura deseada.
- Gire la perilla del reloj programador hasta el tiempo de cocción deseado.\*
- Cuando termine de asar, abra por completo la puerta del horno y retire los alimentos.\*

\*\***ADVERTENCIA:** Los alimentos cocidos y la rejilla de metal pueden estar muy calientes, manipule con cuidado. No deje el horno de mesa sin supervisión.

*\*Nota especial: Si el tiempo de cocción es menor a 20 minutos, debe girar el reloj programador más allá de la marca de 20 minutos y luego retroceder hasta el tiempo deseado.*

Español-4

# PRECAUCIONES IMPORTANTES LEA Y GUARDE ESTAS INSTRUCCIONES

Cuando use aparatos eléctricos, siempre deben tomarse algunas precauciones básicas de seguridad, incluyendo las siguientes:

- LEA TODAS LAS INSTRUCCIONES, LAS ETIQUETAS EN EL PRODUCTO Y LAS ADVERTENCIAS, ANTES DE USAR EL HORNO TOSTADOR.**
- No toque las superficies calientes. Siempre use guantes cuando maneje materiales calientes y permita que las partes metálicas se enfríen antes de limpiar. Permita que la unidad se enfríe completamente antes de poner o quitar partes. Siempre use las asas del horno cuando mueva la unidad.
- Desconecte el horno tostador del tomacorriente cuando la unidad no esté en uso y antes de limpiarla. **NOTA:** Verifique que el horno tostador esté apagado antes de desconectar.
- Para protegerse contra una descarga eléctrica, no sumerja el aparato en agua o en otros líquidos.
- Supervisión continua es necesaria cuando éste o cualquier otro aparato sea usado cerca de los niños. Este aparato no debe ser usado por los niños.
- No opere éste ni ningún otro aparato con un cordón dañado o quemado o después de que el aparato ha funcionado inadecuadamente o ha sido dañado en cualquier forma. Devuelva el aparato al Centro de Servicio Autorizado Sunbeam más cercano para que lo revisen, reparen o para un ajuste.
- No utilice accesorios o aditamentos no recomendados por el fabricante, ya que pueden causar incendios, descargas eléctricas o lesiones personales.
- No utilice este aparato en exteriores o con propósitos comerciales.
- No utilice este aparato más que para lo que ha sido diseñado.
- No permita que el cordón cuelgue sobre la orilla de la mesa o del mostrador o toque superficies calientes.
- No lo coloque sobre o cerca de quemadores de estufas de gas o eléctricas, tampoco dentro de un horno caliente.
- Tenga extremo cuidado cuando use contenedores que no estén fabricados de vidrio o de metal.
- Puede ocurrir un incendio si el horno tostador está en operación y está en contacto o cubierto con materiales inflamables, incluyendo cortinas, tapicería, paredes, etc. No coloque ningún objeto sobre el aparato cuando esté en operación.
- Cuando esta unidad no esté en operación, no almacene dentro de él ningún material que no sea un accesorio recomendado por el fabricante.
- No coloque dentro del horno ningún material inflamable como papel, cartón, plástico o cualquier material que se pueda incendiar o derretir.
- No cubra la charola para migajas o ninguna parte del horno con papel aluminio o metálico. Esto puede causar el sobrecalentamiento del aparato.
- Los alimentos grandes o utensilios metálicos no deben ser introducidos en el horno tostador ya que pueden causar incendios o descargas eléctricas.
- No limpie con esponjas o fibras metálicas. Se pueden desprender trozos de la esponja o fibra y tocar partes eléctricas creando el riesgo de descargas eléctricas.
- Cuando ase alimentos, tenga extremo cuidado al remover la charola o desecharla la grasa caliente.
- Para apagar este aparato, coloque todos los controles en la posición de apagado “OFF”.

## ESTA UNIDAD ES SÓLO PARA USO DOMÉSTICO USO DE UN CABLE ELÉCTRICO CORTO

Se incluye un cable de tensión corto para evitar que se enrede o que cause tropiezos. Un cable de extensión puede usarse con cuidado. Si se usa una cable de extensión, la potencia eléctrica marcada en el cable de extensión debe ser por lo menos igual o mayor a la potencia eléctrica del aparato. El cable de extensión debe colocarse de manera que no cuelgue del mostrador o de la mesa, donde pueda causar tropiezos accidentalmente.

### SÓLO PARA PRODUCTOS COMPRADOS EN LOS ESTADOS UNIDOS Y CANADÁ

Para reducir el riesgo de choque eléctrico, este aparato tiene un enchufe polarizado (*una cuchilla es más ancha que la otra*). Como una medida de seguridad, este enchufe entrará en una toma de corriente polarizada de una sola forma. Si el enchufe no entra completamente en un tomacorriente, vóltelo. Si aún así no entra, contacte a un electricista calificado. **No intente modificar** esta medida de seguridad.

# GUARDE ESTAS INSTRUCCIONES

Español-1

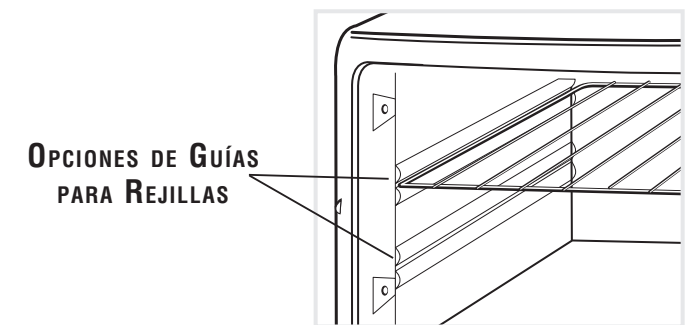
## Colocación de la Rejilla

- Para poder contener una amplia variedad de alimentos el horno tiene una rejilla reversible y dos posiciones para la rejilla. La rejilla se puede insertar en el horno en las guías superior e inferior de la rejilla. La rejilla encajará en cualquiera de las guías para rejilla dentro del horno de mesa. (Vea la figura 4)
- Antes de retirar la rejilla permita que se enfríe la unidad.
- Para retirar la rejilla, abra la puerta del horno y lleve la rejilla hacia el frente del horno. La rejilla se deslizará en las guías dentro del horno.

**TENGA EN CUENTA QUE:** la rejilla del horno puede inclinarse hacia adelante haciendo que los alimentos se muevan cuando se saca la rejilla; proceda con cuidado.

- La posición de la rejilla dependerá del tamaño de los alimentos y de qué tan dorados los desee. Coloque la rejilla abajo para evitar que se dore la parte superior y en la posición elevada para evitar que se quemé la parte inferior.
- Para mejores resultados al tostar, coloque la rejilla en la posición elevada en la guía inferior de la rejilla.

Para obtener mejores resultados al tostar, coloque la rejilla en la guía superior de la rejilla.



Español-5

## Free Manuals Download Website

<http://myh66.com>

<http://usermanuals.us>

<http://www.somanuals.com>

<http://www.4manuals.cc>

<http://www.manual-lib.com>

<http://www.404manual.com>

<http://www.luxmanual.com>

<http://aubethermostatmanual.com>

Golf course search by state

<http://golfingnear.com>

Email search by domain

<http://emailbydomain.com>

Auto manuals search

<http://auto.somanuals.com>

TV manuals search

<http://tv.somanuals.com>