

Model #WMT-1390S-1  
13' x 10' Screenhouse



# OWNER'S MANUAL

# SAFETY

**WARNING: KEEP ALL FLAME AND HEAT SOURCES AWAY FROM THIS TENT FABRIC.**

This tent meets the flammability requirements of CPAI-84. The fabric may burn if left in continuous contact with any flame source. The application of any foreign substance to the tent fabric may render the flame-resistant properties ineffective.

## DO NOT...

1. Do not pitch tent near an open flame.
2. Do not leave campfires unattended.
3. Do not allow CHILDREN or ADULTS to use lighted candles, matches or other flame sources in or near tents.
4. Do not use heating, lighting or cooking equipment with open flames in or near tents.
5. Do not use fuel burning/oxygen consuming devices (i.e. heaters, lanterns, or other flame sources) inside your tent at any time.
6. **Do not use other than recommended water repellent compounds on your tent.(See: "Seal the Seams")**
7. Do not spray the tent with insecticide.
8. **EXTREME CAUTION:** Never use any fuel burning/oxygen consuming device, or any device that produces fumes (including stoves, lanterns, candles, hibachis, or heaters) in or around your tent. Inhalation of fumes may result in carbon monoxide poisoning, injury and/or death.

## DO...

1. Always extinguish campfire before leaving area.
2. Exercise care when using electricity and lighting in and near tents.
3. Disassemble and store tent properly after camping to ensure the tent's longevity.
4. Always use a hammer/mallet when driving stakes into the ground.

# CARE

**This recreational item is not intended for use as a permanent structure, as fabric will quickly degrade if exposed to UV light. No (sun shelter, screenhouse, tent) can withstand prolonged exposure to sunlight. UV damage is not covered under the limited 90 day warranty.**

## Structural Integrity

Although our tents and screenhouses are constructed to rigid specifications, periods of wind or rain soaking the ground may loosen the stakes and cause the uprights to sink into the ground. This will weaken the rigidity of the overall structure. Water pockets may also form in the roof if the unit is not assembled taut, the weight of which may cause broken frames and torn fabric.

## Storage

Tents/screenhouses must never be rolled up or packed while damp, as mildew will form within a few days. Allow tent to dry completely before rolling and storing.

## LIMITED 90 DAY WARRANTY

For 90 days from the date of purchase, Ozark Trail will replace, at our option, defects in material or workmanship that appear in this product, free of charge. Product must be original factory packaging and unmodified.

**You must have a copy of your Wal-Mart receipt.**

Warranty service is available by calling:

**toll free 1-800-775-1965**

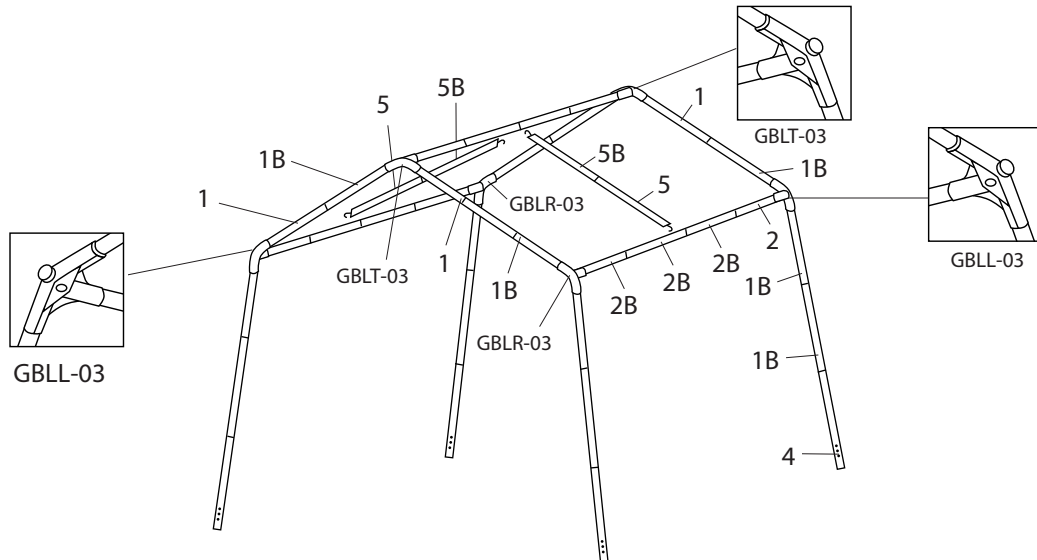
Mon.-Fri, 7:00 a.m. to 4:00 p.m. (PST-West Coast)

**Ozark Trail**

**3333 Yale Way • Fremont, CA 94538-6169**

This warranty gives you specific legal rights. You may also have other rights which vary from state to state.

# REPLACEMENT PARTS



## Model # WMT-1390S-1 HOW TO ORDER REPLACEMENT PARTS

Always mention the Model number in all correspondence regarding your tent and when ordering replacement parts. To order replacement parts listed below, or for any questions regarding your tent, call **1-800-775-1965** Mon.–Fri, 8:00 a.m. to 5:00 p.m. (PST–West Coast) or write to: **Ozark Trail • 3333 Yale Way • Fremont, CA 94538-6169**

### WHEN ORDERING REPAIR PARTS, ALWAYS GIVE THE FOLLOWING INFORMATION:

1. Model Number    2. Part Number    3. Part Descriptions

PART NO.	DESCRIPTION	QTY. REQ.
RPL2-03	Roof pole "2"	3
RP2B-03	Roof pole "2B"	9
SPL1-03	Side pole "1"	4
MPL5-03	Middle (roof) pole "5" with hook	2
MP5B-03	Middle (roof) pole "5B" with hook	2
LPL4-03	Leg pole "4" with holes	4
PL1B-03	Pole "1B" used on side and leg	12
GBLL-03	3 way hub Gable L	2
GBLR-03	3 way hub Gable R	2
GBLT-03	3 way hub Gable T	2
CBAG-03	Carry bag	1
PBAG-03	Pole bag	1
SBAG-03	Stake bag	1
UN-GROPE	Guy rope	4
UN-75ABSSTK	7.5" Steel Stake	18
UN-DRING	Steel D-ring	8
UN-STSHOOK	Steel S-hook	4
PSET-03	Poles/ set of 36	1
SSET-03	Stakes/ set of 18	1

# ASSEMBLY INSTRUCTIONS: WMT-1390S-1

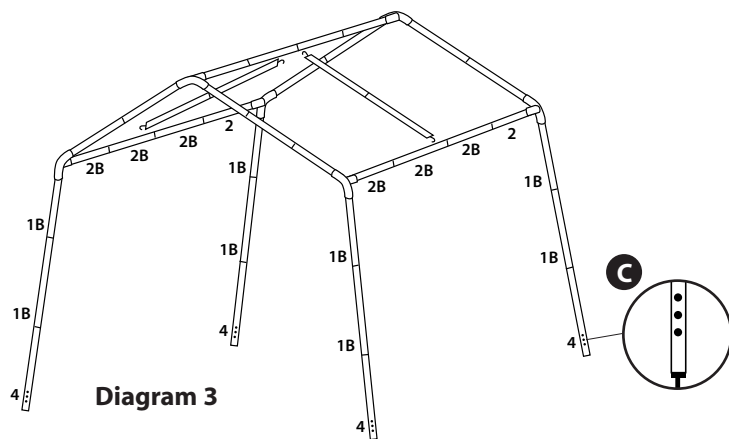
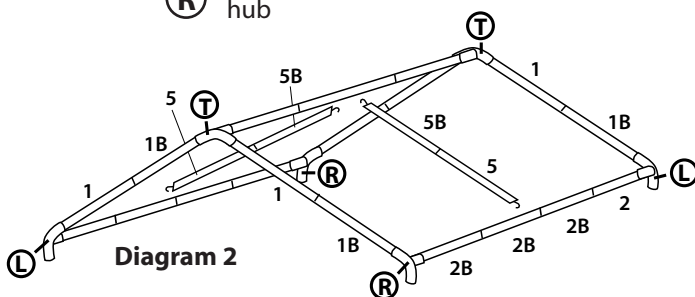
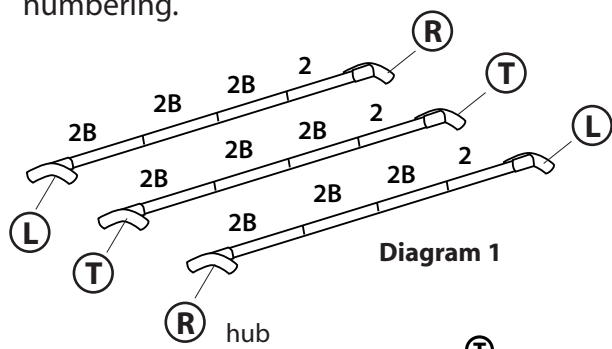
**IMPORTANT: WE ADVISE YOU TO ASSEMBLE THE TENT ONCE BEFORE GOING CAMPING TO ASSURE THAT ALL PARTS ARE PRESENT AND TO BECOME FAMILIAR WITH THE ASSEMBLY OF THE TENT.**

To prolong the life of the tent floor, select a level, clean area for the campsite.

## Step 1 – Lay Out the Screenhouse and Poles

Select a smooth, level site and spread out your screenhouse.

Sort the poles by number and connect the sections together. See diagrams below for numbering.



Insert the leg poles into the hubs to raise the screenhouse frame. Make sure that the pole end with the holes in the sides (C) is pointing down. See Diagram 3.

## Step 3 – Secure the Screenhouse

Drape the screenhouse body over the frames.

Hook the S-Hooks (B) into one of the holes (C) located at the bottom of the leg poles.

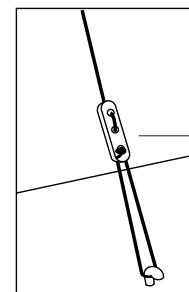
Wrap the velcro tape (D), located inside the screenhouse, around the poles to secure them.

When the screenhouse is in its proper location, stake it down by driving stakes through the four D-rings (E) located on at the corners.

## Step 4 – Install the Guy Lines

Tie the loose end of a guy line through D-ring (H). Repeat for the other three guy lines.

Make a loop at the end of the guy line with the slider. Stake the looped end of the line out about 3' from the base of the pole. Adjust the slider until the line is taut (G).

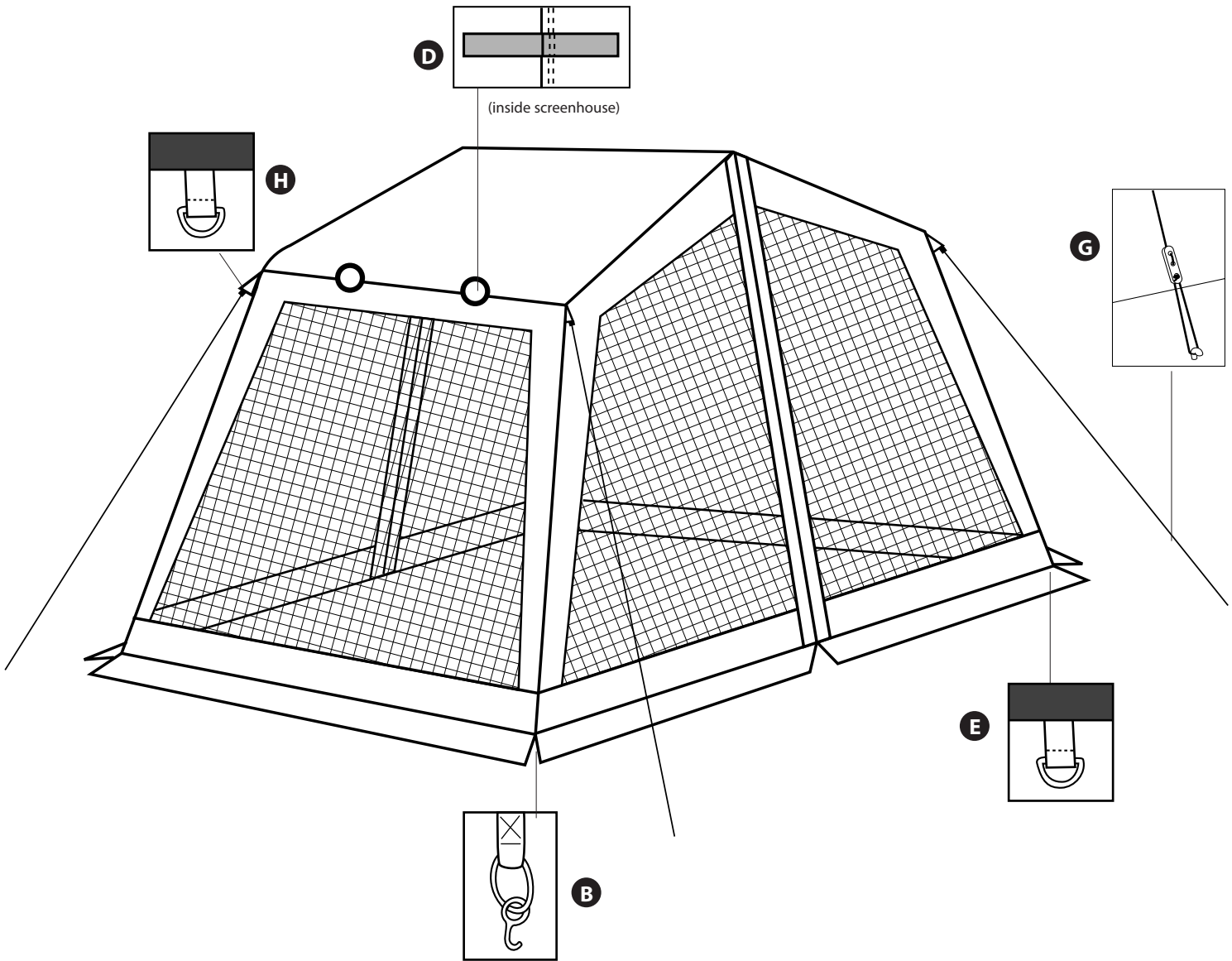


slider for adjusting  
guy line tension

## Step 2 – Install the Poles

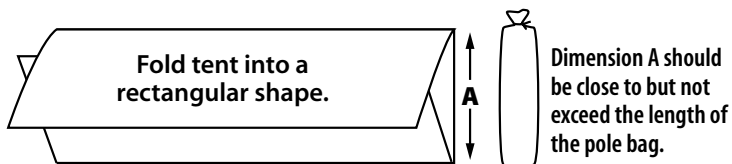
Insert the ends of each of the three roof poles into the 3-way hubs (A). See Diagram 1.

Insert the four side roof poles into the 3-way hubs. See Diagram 2.

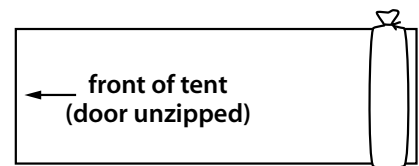


## Taking Down Your Tent

- Unzip doors and windows and collapse the tent, removing and disassembling the poles. Place poles in the pole storage bag and tie shut.
- Remove stakes. Do not remove stakes from the ground by pulling on the stake loops. This may cause the stake loops to tear out of the seam.
- Spread tent out flat with all loose fabric and rainfly (if tent has one) within the edges of the tent base. Try to flatten tent as much as possible.
- Fold tent in half, thirds or quarters. (Folding depends on the length of the tent pole sections.)



- Place pole bag on back end of tent (trapped air is more easily forced out of the open door when you are rolling up the tent.) The folded tent should be the width of the pole bag.



- Beginning at the back end, roll your tent tightly around the pole bag, forcing out excess air as you roll. Keep tent edges straight and pole bag centered as you roll.
- When tent is rolled up, tie strap around it and place into tent carry bag with stake bag, instruction sheet, and other miscellaneous parts. If tent won't fit into bag, unroll and reroll more tightly.

# CAMPER'S CHECKLIST AND HELPFUL HINTS

## SAFETY AND HEALTH AIDS

- Insect repellents
- Suntan lotions
- First aid kit
- Life preservers

## CAMP NEEDS

- Axe or hatchet
- Pocket knife
- Sewing kit
- Heavy-duty tape
- Rope and clothes pins
- Small shovel (to extinguish fires)
- Fishing rod and other sporting gear
- Broom
- Whisk broom
- Compact tool kit
- Hammer or mallet

## CAMPING EQUIPMENT

- Tent
- Sleeping bags
- Ground sheet
- Air mattress and repair kit
- Portable stove
- Cooler
- Water jug
- Pail
- Toilet tissue
- Wash basin
- Mirror
- Folding table
- Lounge chairs
- Funnel for fueling appliances
- Camp lantern with extra mantles
- Flashlight
- Small fire extinguisher
- Rain coats
- Waterproof tarpaulins
- Waterproof matches

## KITCHEN EQUIPMENT

- Camp stove
- Grill top and charcoal
- Fire starter
- Fry pan
- Sauce pans
- Coffee pot
- Heavy-duty aluminum foil
- Pot holders
- Mixing and serving spoons
- Cooking fork, tongs, spatula
- Kitchen knives
- Can/bottle opener
- Storage containers
- Cooler
- Ice pack
- Insulated jug
- Water container
- Tablecloth, napkins, plates
- Mugs, glasses
- Table knives, forks, spoons
- Dish pan
- Detergent
- Pot scrubbers
- Plastic garbage bags
- Paper towels

## TRAVEL AIDS

- Road maps
- Sunglasses
- Litter bags
- Games
- Binoculars
- Camera and film
- Waterproof tarpaulins
- Waterproof matches



THANK YOU FOR PURCHASING A SUPERIOR QUALITY OZARK TRAIL TENT. THIS TROUBLESHOOTING GUIDE IS DESIGNED TO GIVE YOU YEARS OF FUN AND ENJOYMENT FROM YOUR CAMPING EQUIPMENT.

## TROUBLESHOOTING GUIDE

PROBLEM	SOLUTION
<b>1. CONDENSATION</b>	THIS IS CAUSED BY LOWER TEMPERATURES ON THE OUTSIDE OF THE TENT COMBINED WITH BODY HEAT ON THE INSIDE OF THE TENT. WHEN THIS OCCURS, AVOID TOUCHING WALLS TO REDUCE CONTACT LEAKAGE. LEAVING THE DOORS AND WINDOWS OPEN WILL REDUCE CONDENSATION OF MOISTURE .
<b>2. SEAM LEAKAGE</b>	TO PROTECT AGAINST SEAM LEAKAGE, APPLY A GENEROUS AMOUNT OF SEAM SEALER ON ALL INTERIOR SEAMS.
<b>3. MILDEW</b>	TO AVOID MILDEW, NEVER PUT YOUR TENT AWAY WET OR DAMP. HOWEVER, IF MILDEW OCCURS, USE A SOFT BRISTLE BRUSH OR SPONGE WITH MILD DISH WASHING SOAP OR FELS NAPHTHA SOAP TO CLEAN. LET THE TENT DRY IN THE SUNLIGHT AND APPLY SEAM SEALER COMPOUND ON INSIDE SEAMS.
<b>4. REPAIRING A TEAR</b>	FOR SMALL TEARS USE A SELF-ADHESIVE PATCH KIT. WE RECOMMEND A CANVAS OR AWNING REPAIR SHOP FOR LARGER TEARS.
<b>5. FAULTY ZIPPER</b>	ALL OF OUR TENTS ARE MANUFACTURED WITH ZIPPERS WHICH, IF THE ZIPPER SEPARATES, CAN BE FIXED BY MOVING THE SLIDER TO THE BEGINNING OF THE ZIPPER TAPE AND REWORKING THE ZIPPER. IF THIS DOESN'T WORK, A REPLACEMENT ZIPPER MAY BE ORDERED FROM OUR PARTS DEPARTMENT, AND MAY BE INSTALLED BY A LOCAL CANVAS OR AWNING REPAIR SHOP IN YOUR AREA.
<b>6. FLOOR CONDENSATION</b>	A GROUND CLOTH UNDER THE TENT PREVENTS THE FLOOR FROM FEELING DAMP AND HELPS PROLONG ITS LIFE. THE CLOTH SHOULD BE SMALLER THAN THE TENT FLOOR TO PREVENT RAIN FROM RUNNING UNDER THE TENT.
<b>7. REMOVING STAKES</b>	STAKE SHOULD BE PULLED WITH ANOTHER STAKE, HAMMER OR STAKE PULLER, BUT NEVER BY PULLING ON THE TENT. AVOID STAKING TENT SO TIGHT THAT IT STRETCHES THE FABRIC. OVERSTRETCHING MAY CAUSE STAKE LOOPS TO TEAR.

PERHAPS WE'VE MISSED SOMETHING IN OUR TROUBLESHOOTING GUIDE. FEEL FREE TO GIVE US YOUR IDEAS ON "TRICKS OF CAMPING", REPAIR PROCEDURES, FEATURES YOU'D LIKE TO SEE, OR JUST YOUR THOUGHTS. SEND THEM TO:

TENT CUSTOMER SERVICE  
 3333 YALE WAY  
 FREMONT, CA 94538-6169

To order replacement parts, call toll free  
**1-800-775-1965** Mon.– Fri, 7:00 a.m. to 4:00 p.m. (PST-West Coast).  
 Mention complete model numbers.

## Free Manuals Download Website

<http://myh66.com>

<http://usermanuals.us>

<http://www.somanuals.com>

<http://www.4manuals.cc>

<http://www.manual-lib.com>

<http://www.404manual.com>

<http://www.luxmanual.com>

<http://aubethermostatmanual.com>

Golf course search by state

<http://golfingnear.com>

Email search by domain

<http://emailbydomain.com>

Auto manuals search

<http://auto.somanuals.com>

TV manuals search

<http://tv.somanuals.com>